

Engine Oil Vacuum Draining and Filling

WARNING: The spilling of hot engine oil is unavoidable during this procedure, care must be taken to prevent scalding.

CAUTION: Correct installation of the oil filler cap can be obtained by tightening the cap until hard stop.

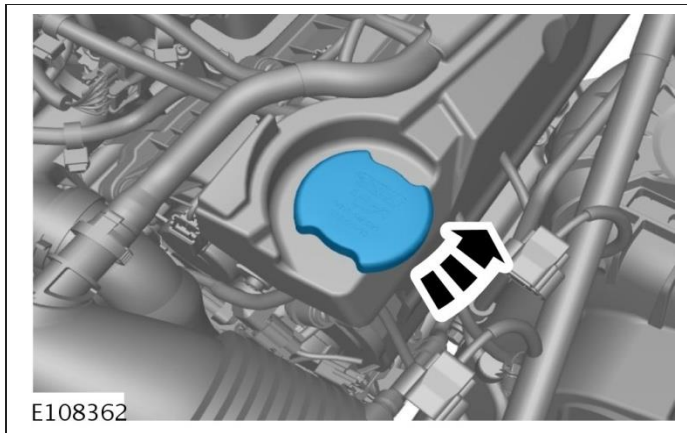
NOTE:

Make sure that the vehicle is parked on level ground.

NOTE:

Clean the components general area prior to dismantling.

Start the engine and allow to run for 10 minutes, stop the engine.

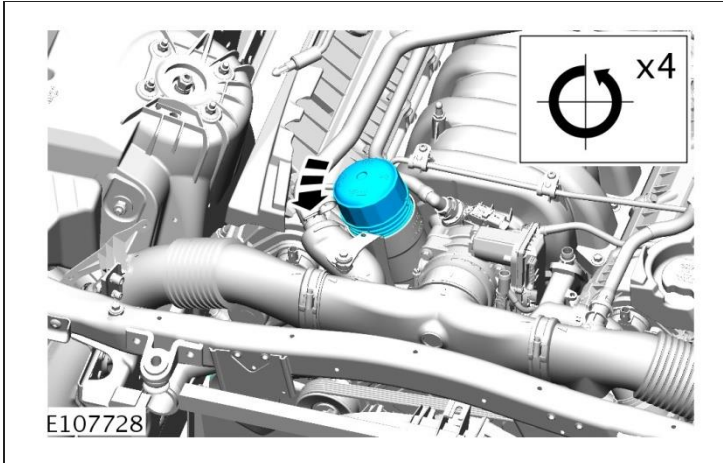


Zoom

Sized for Print

CAUTION: Allow 10 minutes from turning the engine off before starting oil extraction.

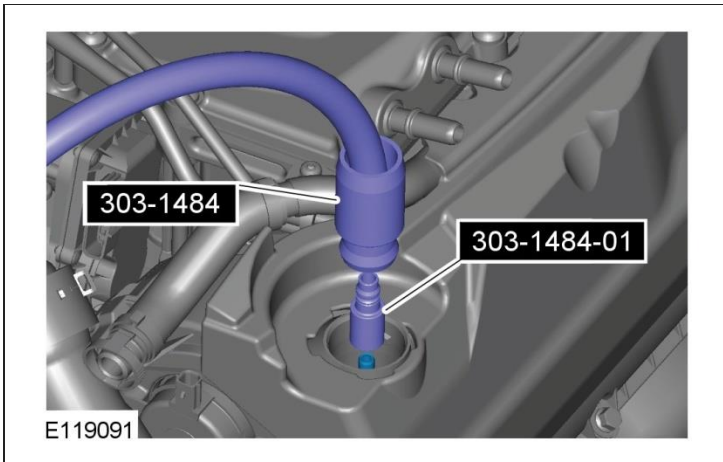
For additional information, refer to Engine Cover - 5.0L NA V8 - AJ133/5.0L SC V8 - AJ133 [See: Body and Frame\Access Cover\Service and Repair](#)



Zoom

Sized for Print

Loosen the element cover 4 complete turns to allow engine oil to drain from the filter cover.



Zoom

Sized for Print

Using the oil vacuum pump drain the oil out through the oil extraction tube.
Special Service Tool



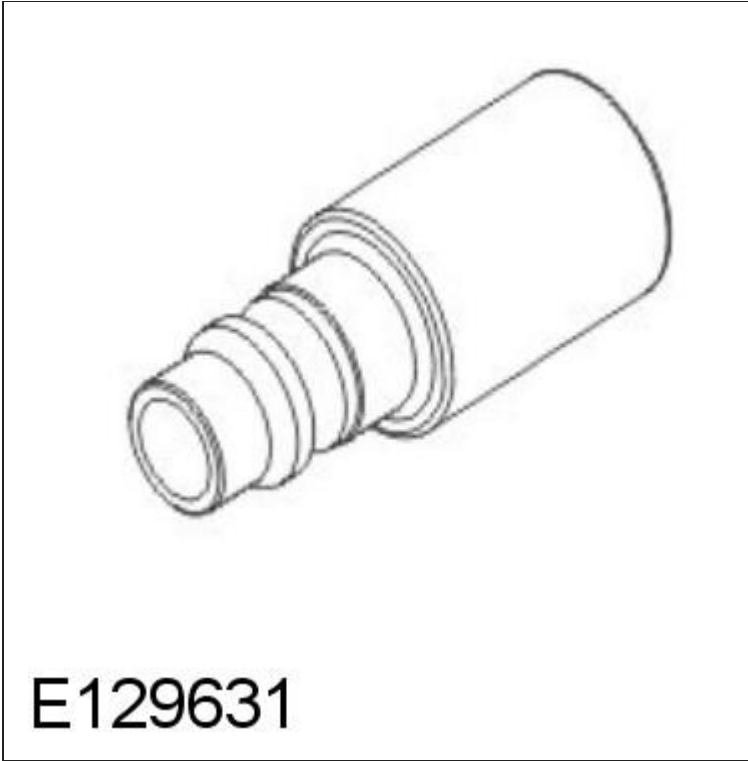
E129630

Zoom

Sized for Print

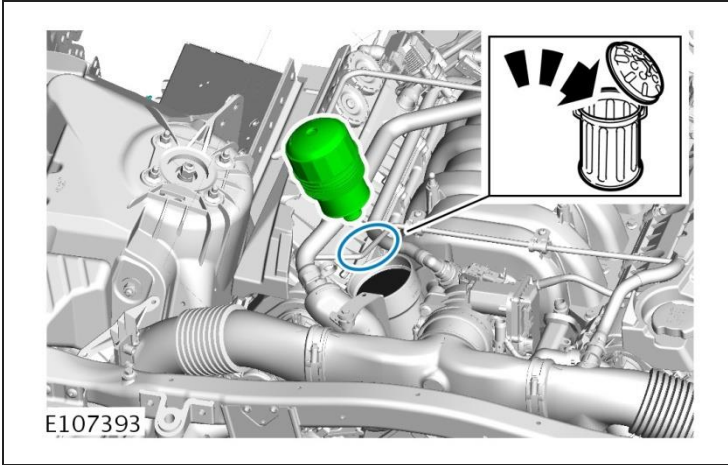
Vacuum Pump, Oil Drain, 303-1484

Special Service Tool

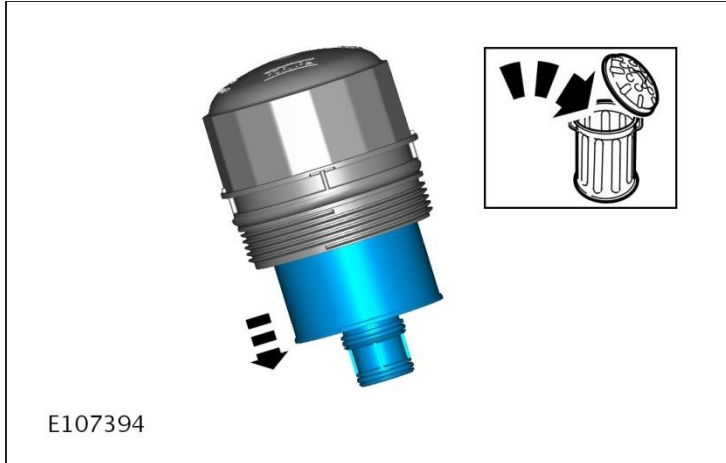


[Zoom](#) [Sized for Print](#)

Adapter for 303-1484, 303-1484-01
Remove the oil vacuum pump.



[Zoom](#) [Sized for Print](#)

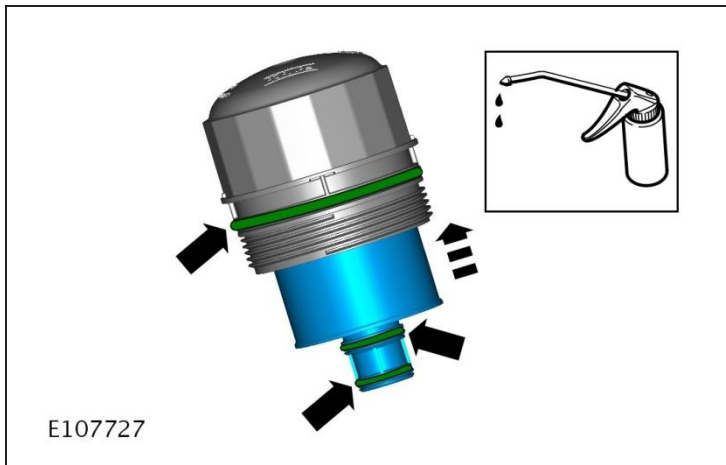


Zoom

Sized for Print

NOTE:

Discard the O-ring seals.



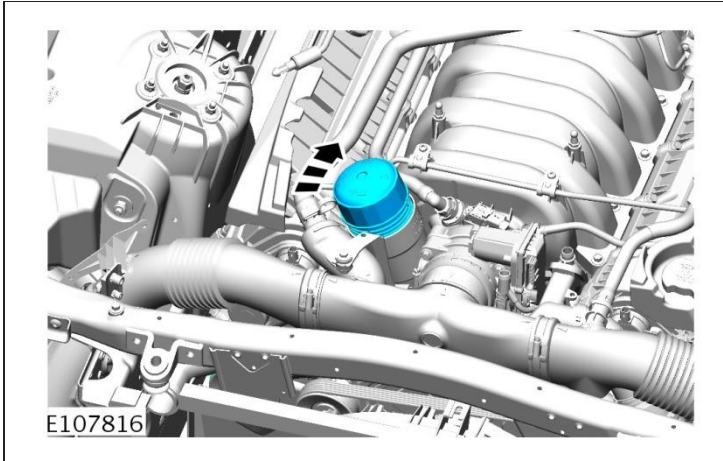
Zoom

Sized for Print

NOTE:

Install new O-ring seals.

- 1 Lubricate the [oil filter](#) element O-ring seal with clean engine oil.



Zoom

Sized for Print

CAUTION: Tighten the component finger tight first.

Torque to: 25 Nm

CAUTION: Make sure that the vehicle is left for 5 minutes from filling with oil and that the engine oil level is reading at least minimum (by following Steps 7-11), before starting the engine.

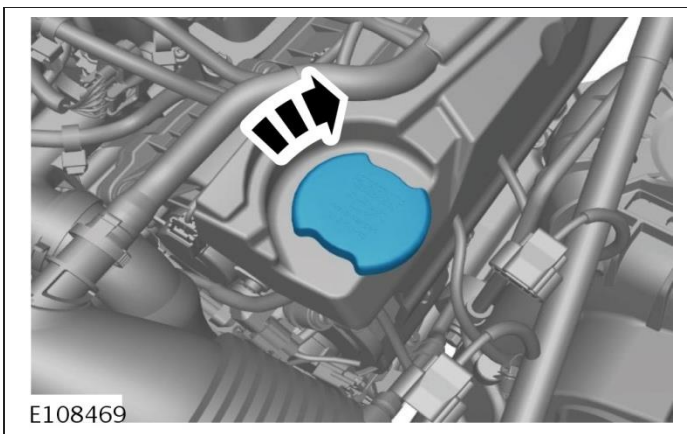
Fill the engine with oil - for filling values on vehicles without supercharger:

For additional information, refer to Specifications [See: Engine, Cooling and Exhaust\Engine\Specifications\Mechanical](#)

Fill the engine with oil - for filling values on vehicles with supercharger:

For additional information, refer to Specifications [See: Engine, Cooling and Exhaust\Engine\Specifications\Mechanical](#)

Clean any residual engine oil from the oil filler cap area.



Zoom

Sized for Print

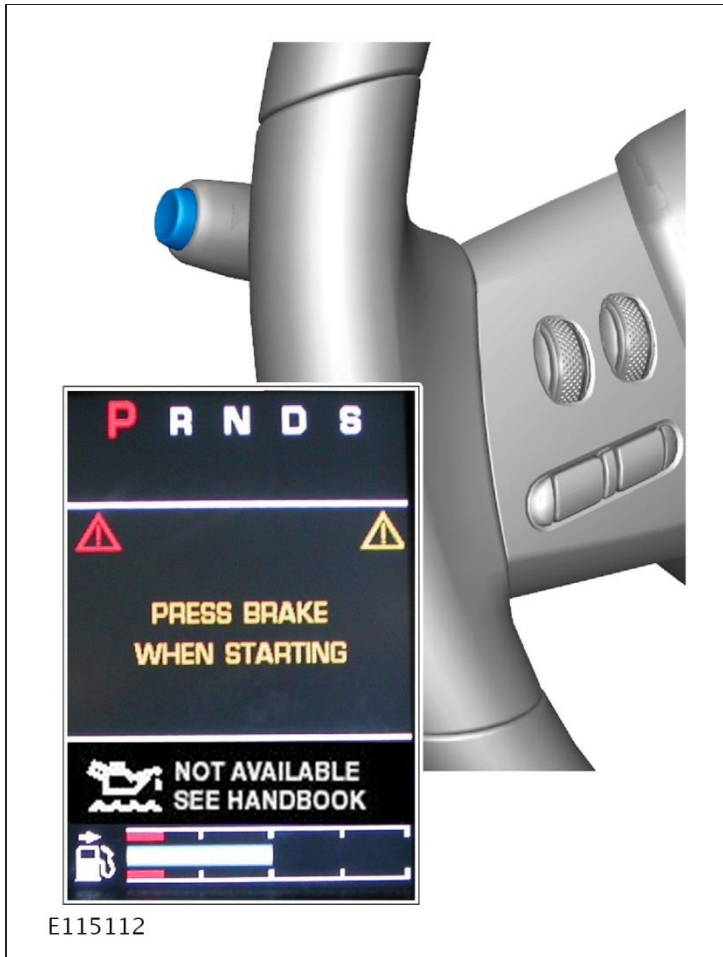
CAUTION: Make sure that the vehicle has been left for 5 minutes from filling with oil.

2 Follow the Steps 7-11 before starting the engine.

Start the engine and allow to run for 10 minutes, stop the engine.
Check for leaks.

CAUTION: Make sure that the selector lever and the gearshift mechanism are in the park (P) position.

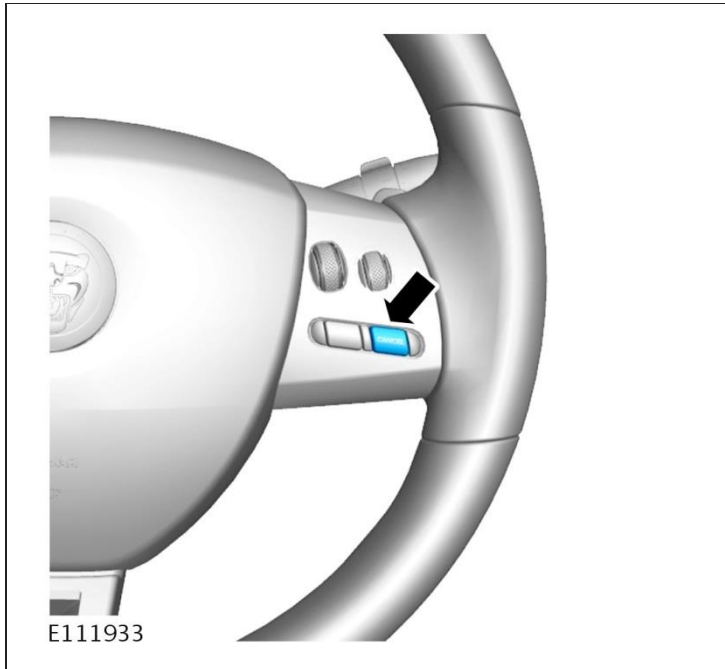
CAUTION: Make sure that the hood is open.
Turn the ignition on.



Zoom

Sized for Print

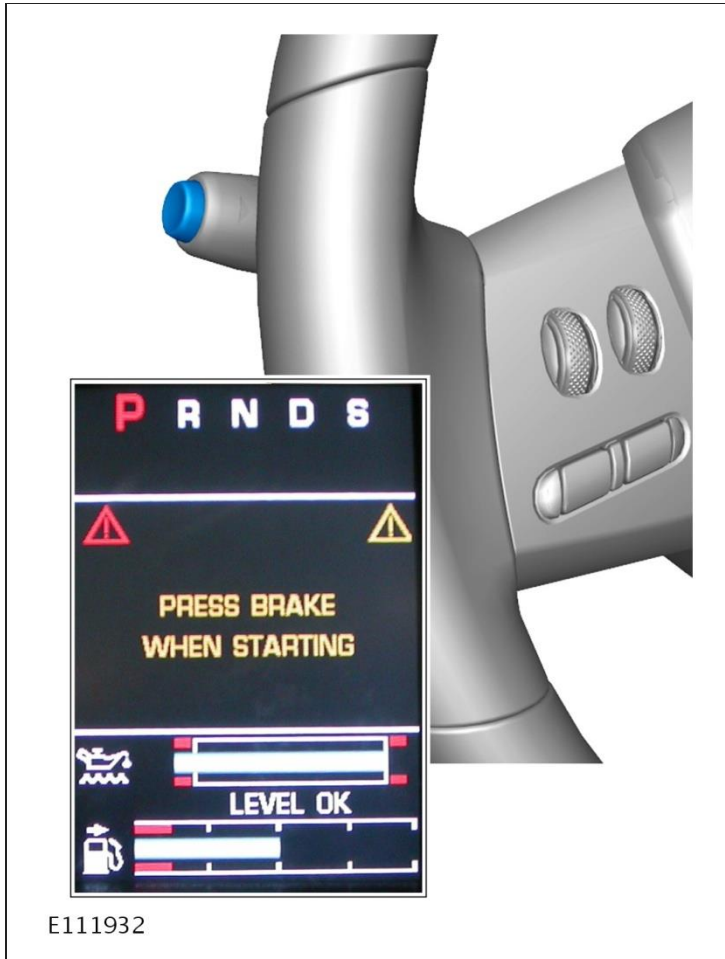
Scroll through the trip menu to access the engine oil level display.



Zoom

Sized for Print

Press the cruise control cancel button twice within 2 seconds.



E111932

Zoom

Sized for Print

The message center display will revert to the normal display in the trip computer. Scroll through the trip menu to access the engine oil level display. Check that the oil level display shows an oil level reading.

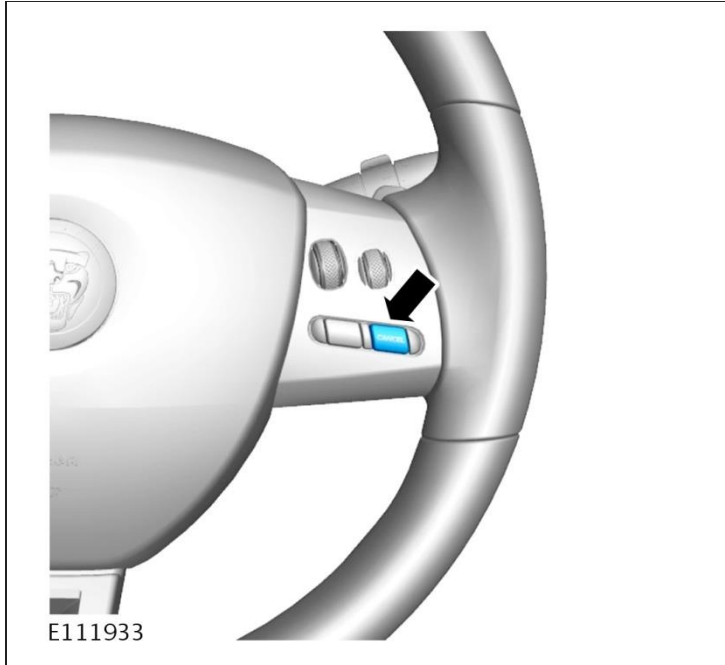
Only after having started and run the engine for 10 minutes (as indicated in Step 6), switch off the engine, then stabilizing for 10 minutes, take a reading from the oil level display and, if necessary top up with engine oil.

NOTE:

If instructed to follow Steps 7-11 in a previous step, return to Step 6 and continue the procedure.

3 Turn the ignition off.

4 Allow 10 minutes for the engine oil level to stabilize if there has been additional oil top up.



Zoom

Sized for Print

NOTE:

The following steps are to update the average oil level value.

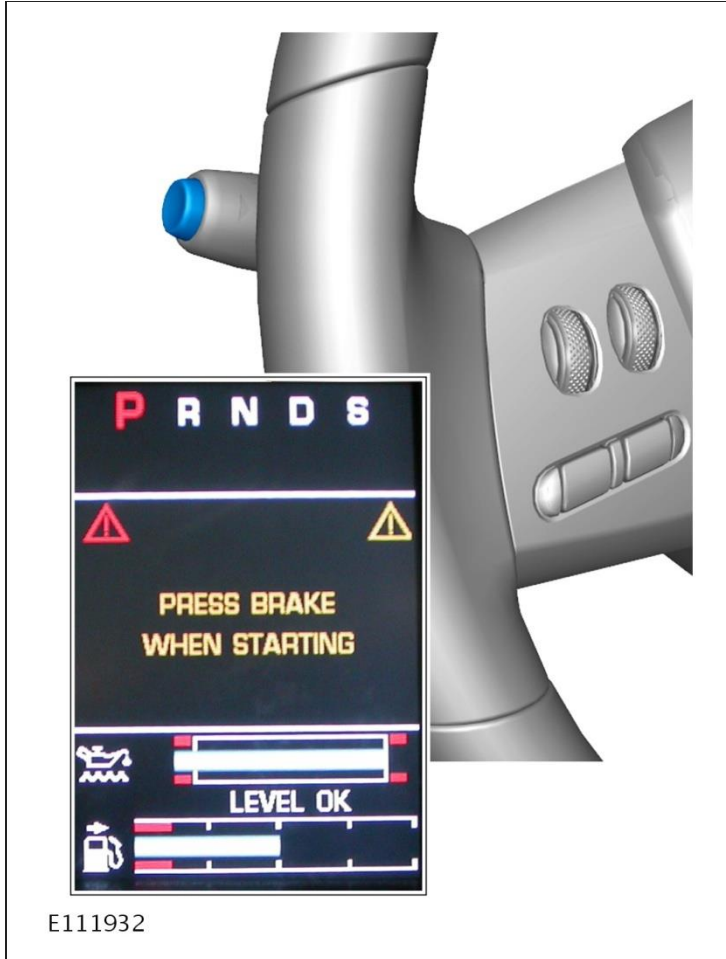
Turn the ignition on.

Press and hold the cruise control cancel button for more than 2 seconds.

The message center display will revert to the normal display in the trip computer.

5 Turn the ignition off.

6 Turn the ignition on.



Zoom

Sized for Print

Scroll through the trip menu to access the engine oil level display.
Make sure that the average oil level value has now been updated.
For additional information, refer to Engine Cover - 5.0L NA V8 - AJ133/5.0L SC V8 - AJ133 [See: Body and Frame\Access Cover\Service and Repair](#)