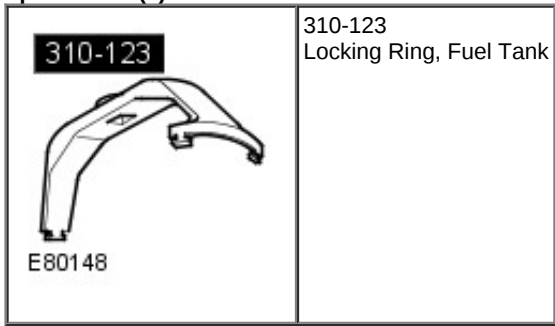


Published: 09-Dec-2012

# Fuel Tank and Lines - V8 5.0L Petrol/V8 S/C 5.0L Petrol - Fuel Pump and Sender Unit

Removal and Installation


## Special Tool(s)



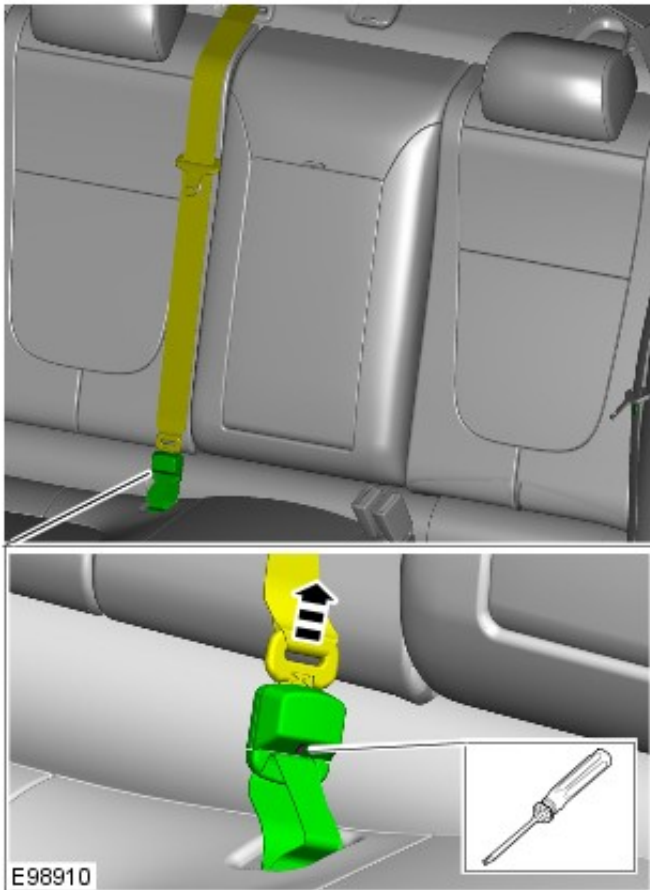
## Removal

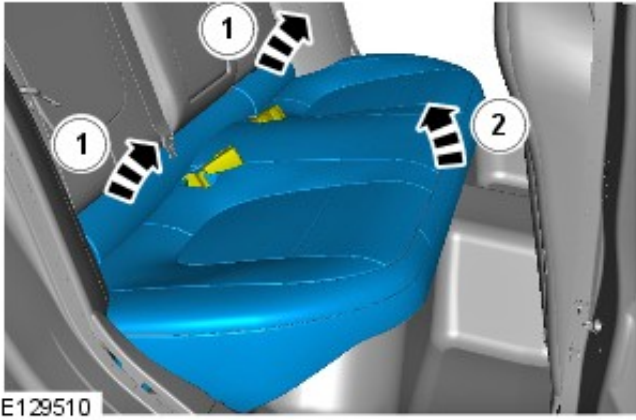


NOTE: Removal steps in this procedure may contain installation details.

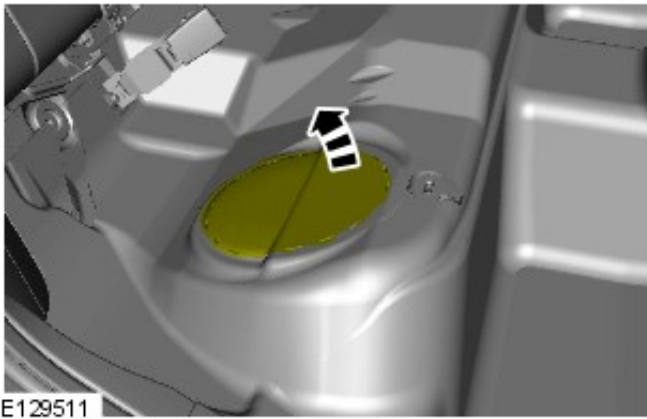
-  **WARNING:** Do not work on or under a vehicle supported only by a jack. Always support the vehicle on safety stands.  
Raise and support the vehicle.
- Refer to: [Fuel System Pressure Release - V8 5.0L Petrol/V8 S/C 5.0L Petrol](#) (310-00 Fuel System - General Information, General Procedures).

3.

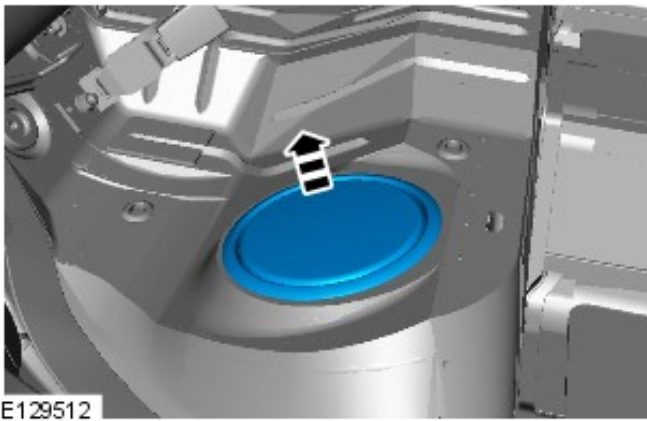




4.

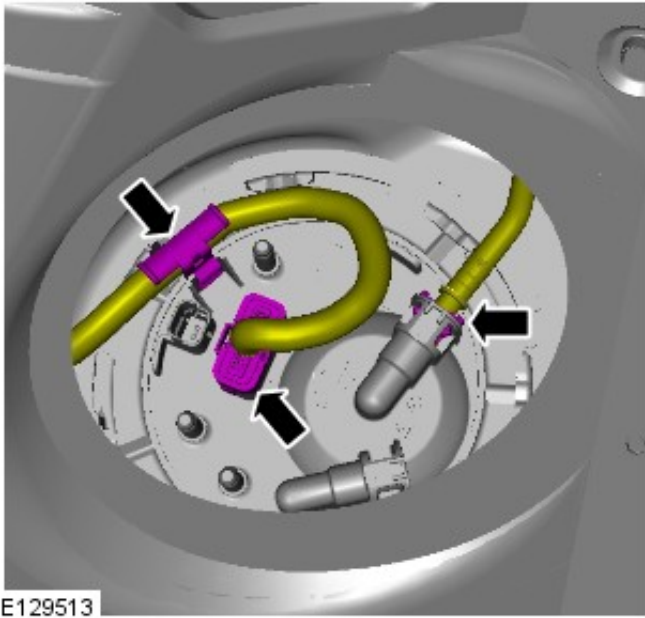


5.

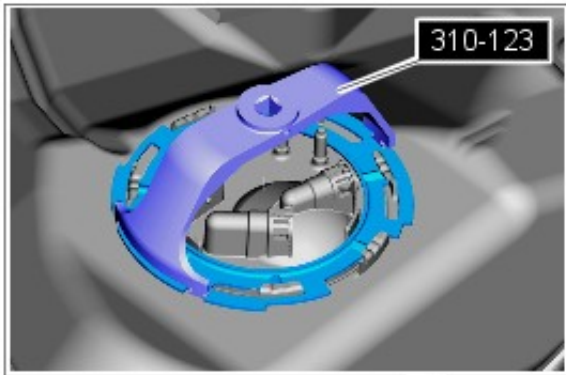


6.

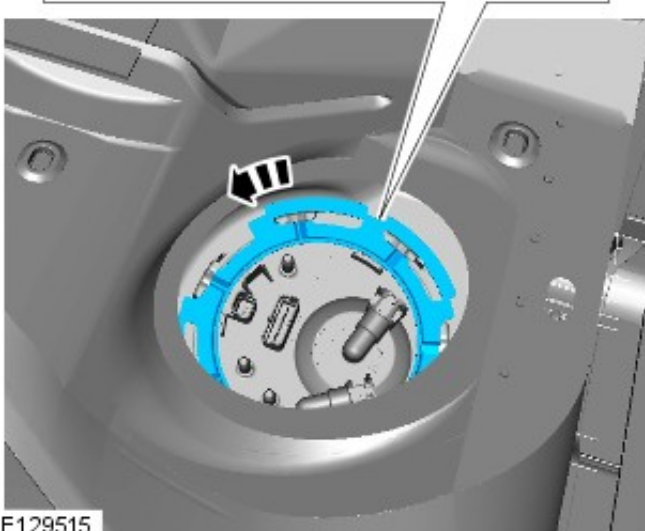
7.



E129513



310-123



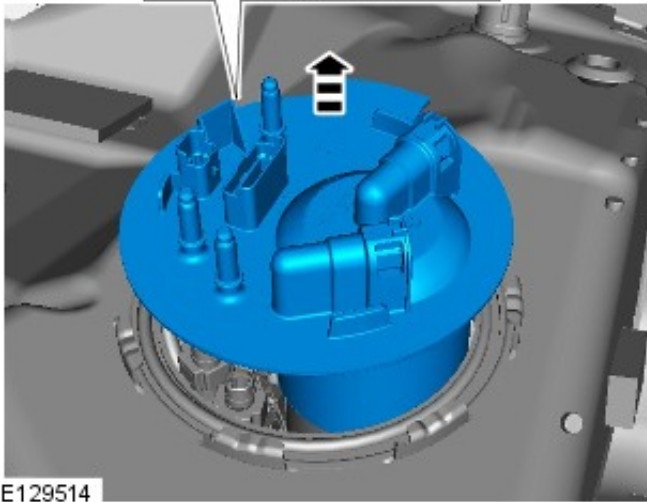
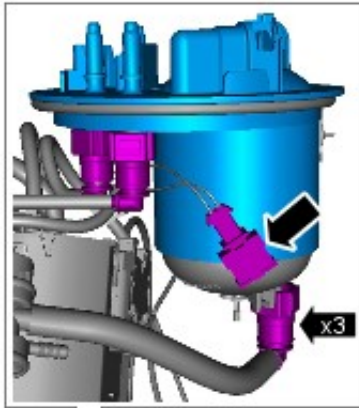
E129515


- 8. • Special Tool(s): [310-123](#)

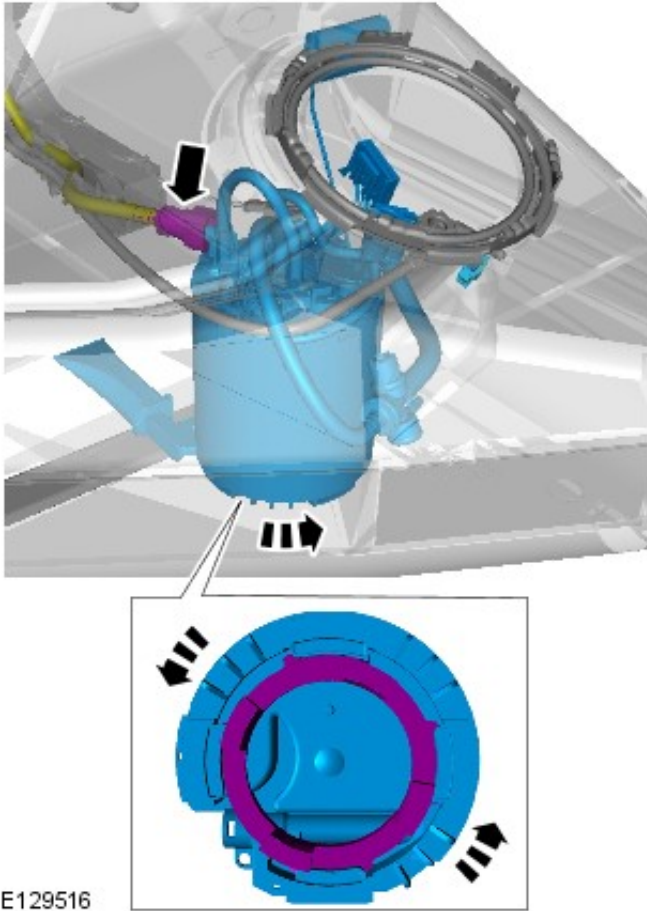
9. NOTES:

 Note the position of the locating tang.

 Remove and discard the O-ring seal.



10.  CAUTION: Take extra care not to damage the fuel tank level sensor float and arm.



## Installation

### 1. CAUTIONS:



Take extra care not to damage the fuel tank level sensor float and arm.



Make sure the fuel pump and sender unit is correctly installed in to the retaining bracket in the fuel tank.



NOTE: Make sure the locating tang is installed in the correct position.

To install, reverse the removal procedure.