

# TECHNICAL BULLETIN

JTB00280NAS1  
12-DEC-12



## SECTION: 501-12

### Front Overhead Console Lamps do not Operate as Expected

#### AFFECTED VEHICLE RANGE:

XF (X250)

VIN: R00019-S34279

Model Year: 2009-2012

#### CONDITION SUMMARY:

**Situation:** The front overhead console lamps may not operate as expected.

**Cause:** This may be caused by issues within the printed circuit board (PCB) in the lamp assembly.

**Action:** In the event of a customer concern of the above, refer to the Repair Procedure outlined below.

#### PARTS:

C2Z25623..... PCB Kit A Qty: 1

#### TOOLS:

Refer to Workshop Manual / Repair Procedure for any required special tools

#### WARRANTY:

△ **NOTE:** Repair procedures are under constant review, and therefore times are subject to change; those quoted here must be taken as guidance only. Always refer to DDW to obtain the latest repair time.

DDW requires the use of causal part numbers. Labor only claims must show the causal part number with a quantity of zero.

DESCRIPTION	SRO	TIME (HOURS)	CONDITION CODE	CAUSAL PART
Roof console circuit board - Renew	86.94.67	0.20	42	C2Z12623

*Normal Warranty policies and procedures apply*

NOTE: The information in Technical Bulletins is intended for use by trained, professional Technicians with the knowledge, tools, and equipment required to do the job properly and safely. It informs these Technicians of conditions that may occur on some vehicles, or provides information that could assist in proper vehicle service. The procedures should not be performed by 'do-it-yourselfers'. If you are not a Retailer, do not assume that a condition described affects your vehicle. Contact an authorized Jaguar service facility to determine whether this bulletin applies to a specific vehicle.

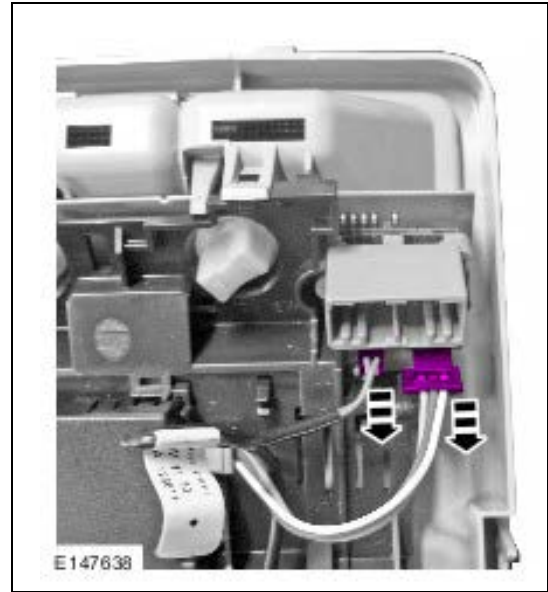
## **REPAIR PROCEDURE**

1. Refer to Workshop Manual section 501-12 (steps 1 and 2 only) and remove the front overhead console lamp assembly.

2. **⚠ WARNING:** The pink bubble wrap that is used for packaging may be used as a work mat.

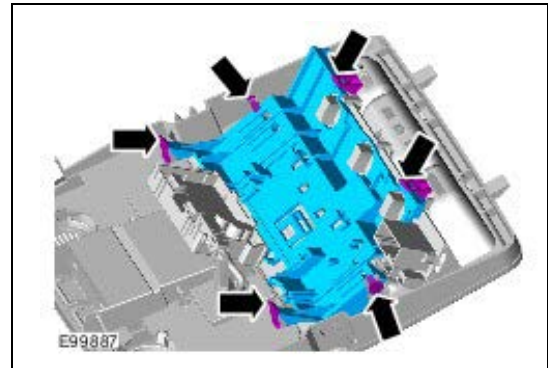
△ **NOTE:** Make sure no damage is caused when removing the electrical connectors.

Disconnect the two electrical connectors.



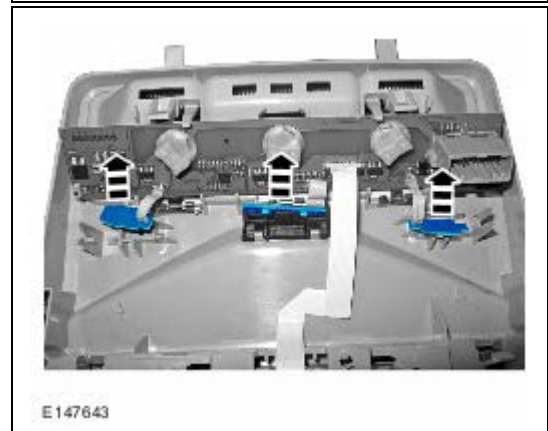
3. △ **NOTE:** Some items removed for clarity.

Move aside the black plastic cover.



4. △ **NOTE:** Make sure no damage is caused when unclipping the three small printed circuit boards.

Using a suitable tool, un-clip the three small printed circuit boards.



5. **△ NOTE: Make sure no damage is caused when un-clipping the electrical connector.**

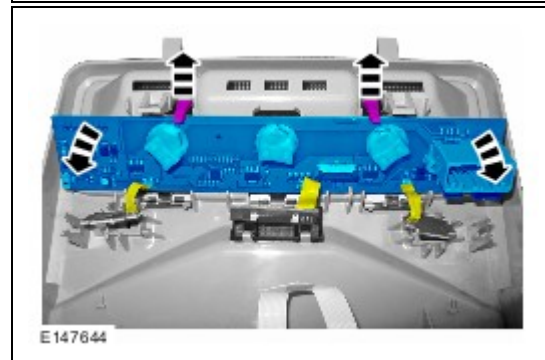
Using a suitable tool un-clip the electrical connector.

- Release the two securing clips.



6. **△ NOTE: Make sure no damage is caused when removing the printed circuit board.**

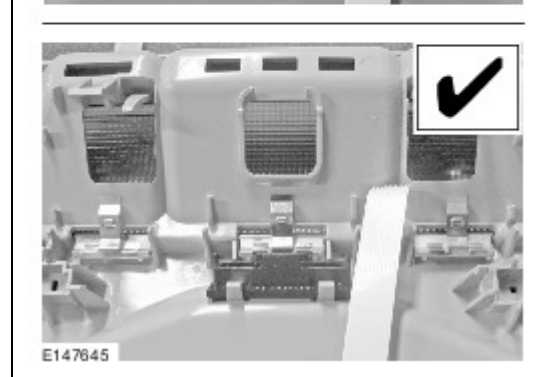
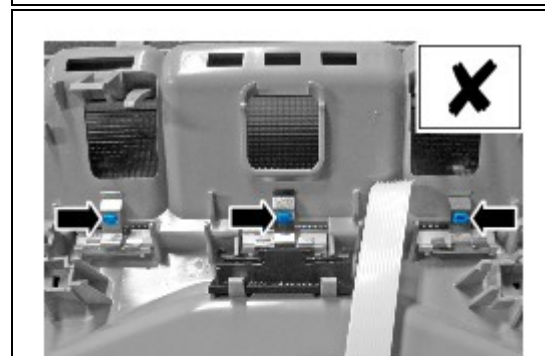
Remove the main circuit board.



7. **△ NOTE: Make sure all the grease is removed from the electrical connectors.**

Using a suitable clean cloth remove the grease on the three electrical connectors.

- Using the wipe supplied in the kit make sure all the grease is removed from the electrical connectors.



8. **⚠ CAUTION:** When installing the rubber sleeves it is important not to damage or split them.

△ **NOTE:** Install all three sleeves from the top.

Install the three rubber sleeves to the electrical connectors.

- The rubber sleeves must be approximately 2-3mm from the bottom of the electrical connector.



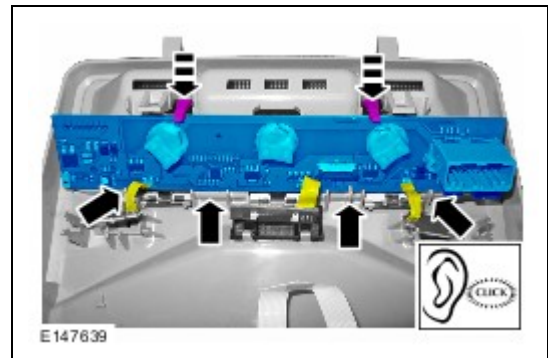
9. **⚠ CAUTION:** Prior to touching the new printed circuit boards it is advised that your hands are clean and you have earthed your body out by touching the steel work bench.

Change over the three interior light bulbs from the old printed circuit board to the new printed circuit board.

10. △ **NOTE:** Make sure no damage is caused when installing the new printed circuit board.

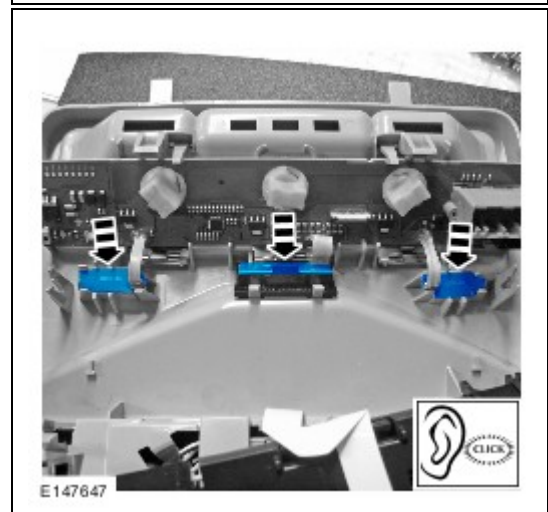
△ **NOTE:** Locate the printed circuit boards into the four locating fixings before clipping the printed circuit board into position.

Install the new printed circuit board.



11. △ **NOTE:** Make sure no damage is caused when installing the three small printed circuit boards.

Install the three small printed circuit boards.

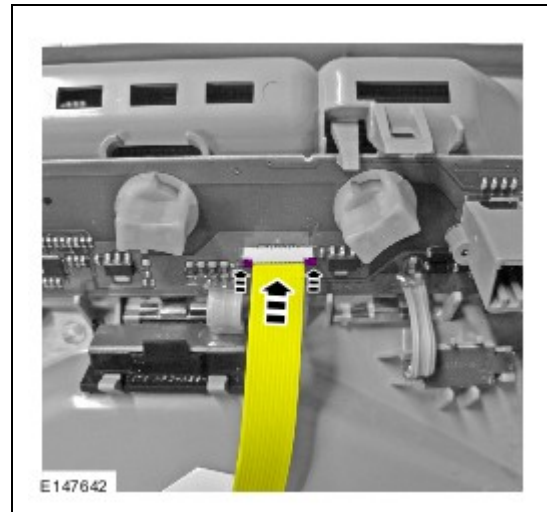


12. **△ NOTE: Make sure the electrical ribbon is square in the connector, before it is fully engaged.**

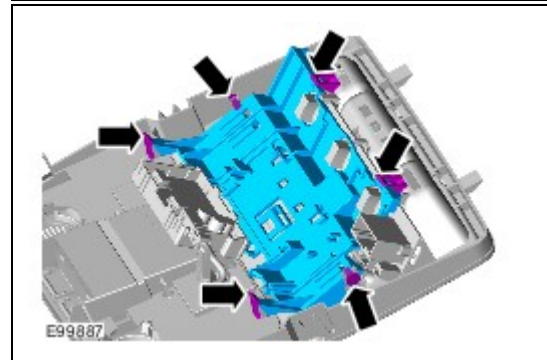
**△ NOTE: Make sure no damage is caused when installing the electrical connectors.**

Connect the electrical connector.

- Push in the two securing clips.

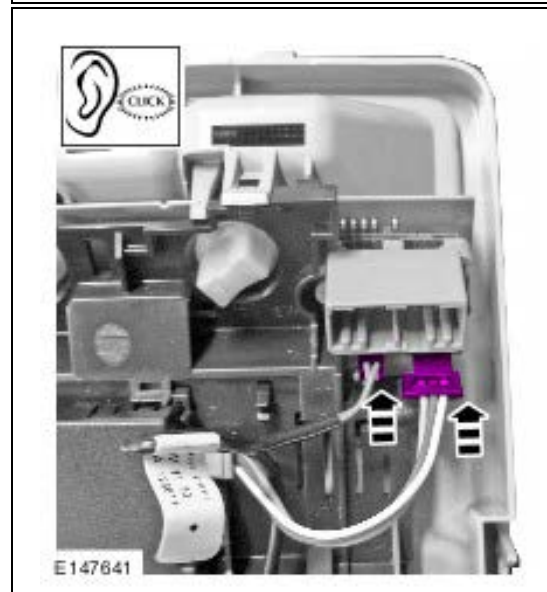


13. Install the black plastic cover.



14. **△ NOTE: Make sure no damage is caused when installing the electrical connectors.**

Connect the two electrical connectors.



15. Refer to Workshop Manual section 501-12 (steps 2 and 1 only) and install the front overhead console lamp assembly.

16. Verify front overhead console lamp operation.