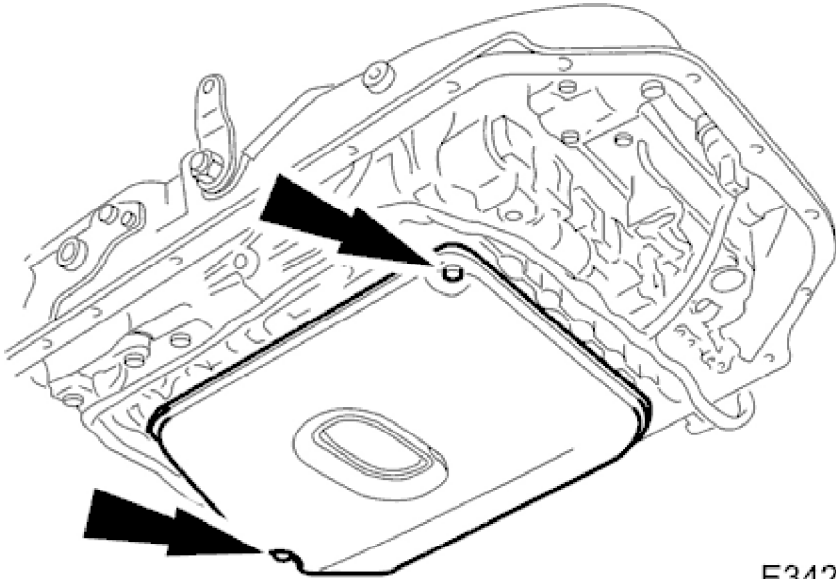


Transmission Fluid Filter 44.24.07

Removal

1. Raise the vehicle for access.
2. Remove the fluid pan, <<44.24.04>>.

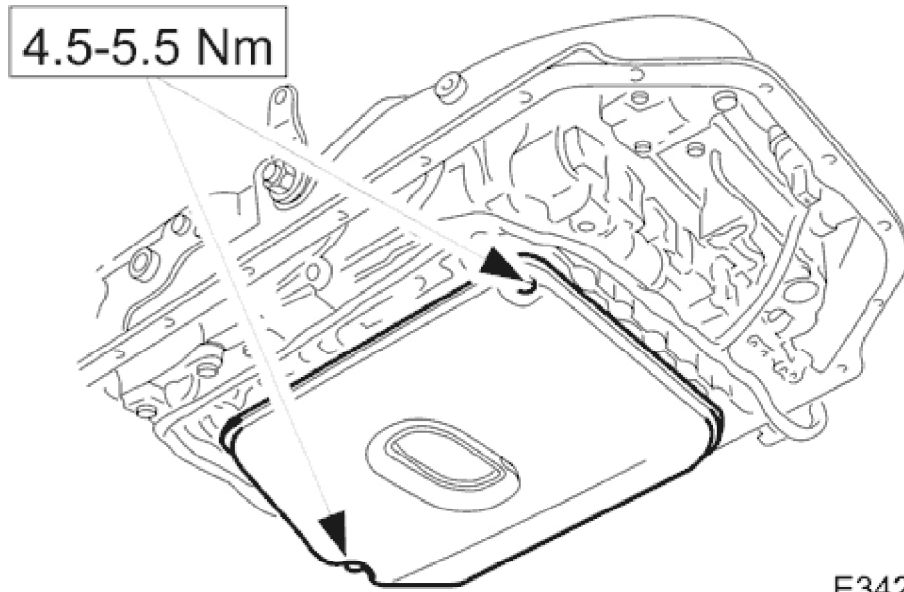


E34203

3. Remove and discard the fluid filter.
 - Remove the two bolts which secure the filter.
 - Discard the 'O' ring.
 - Clean the fluid filter mating face.

Installation

1. Installation is the reverse of the removal procedure.
2. Renew the 'O' ring.



- E34204
3. Tighten the two bolts to the specified torque figure, to secure the filter .
 4. Refill the transmission with fluid. Refer to Operation <<44.24.02>>.