

Published: 11-May-2011

## Interior Trim and Ornamentation - Sun Visor

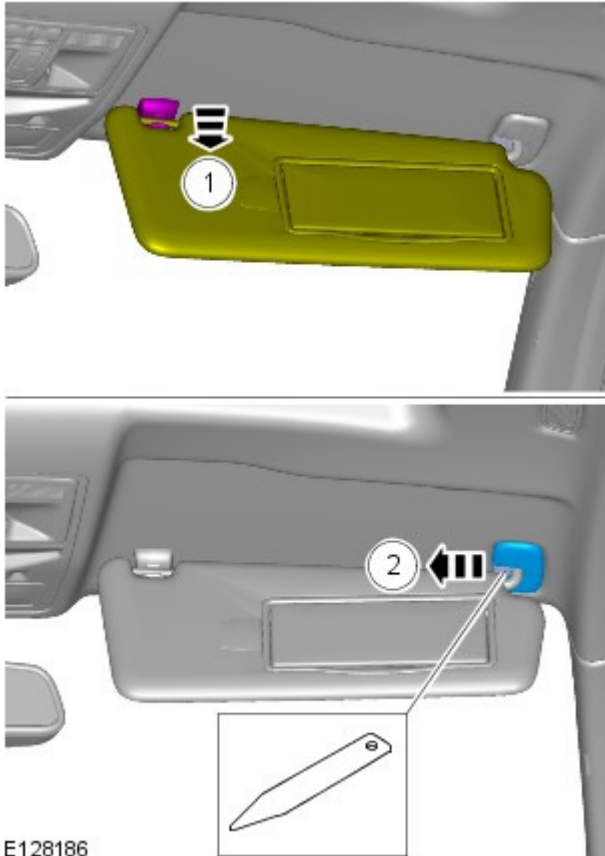
Removal and Installation

### Removal


#### NOTES:

 Removal steps in this procedure may contain installation details.

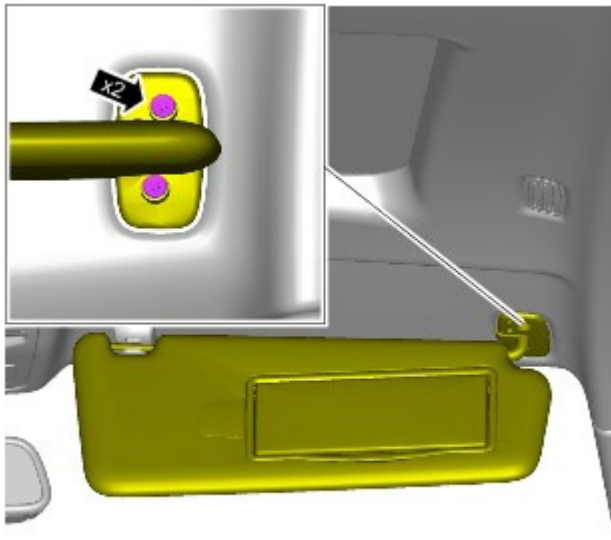
 Right-hand shown, left-hand similar.



E128186

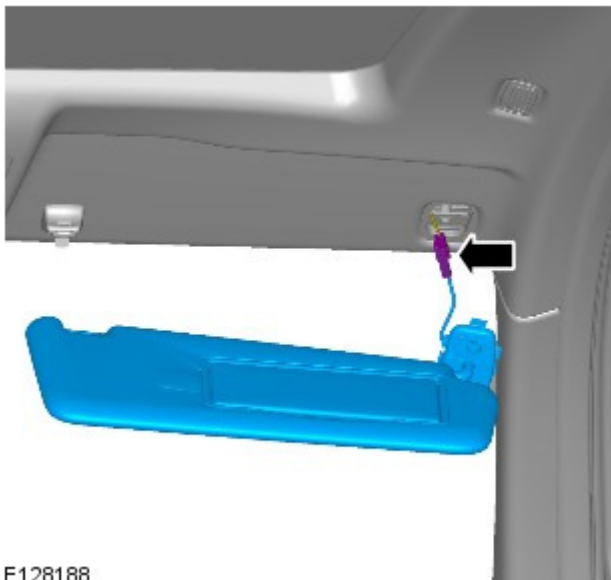
1.  CAUTION: Take extra care not to damage the edges of the component.

2. TORQUE: 6 Nm



E128187

3.



E128188

### Installation

1. To install, reverse the removal procedure.