

Published: 11-May-2011

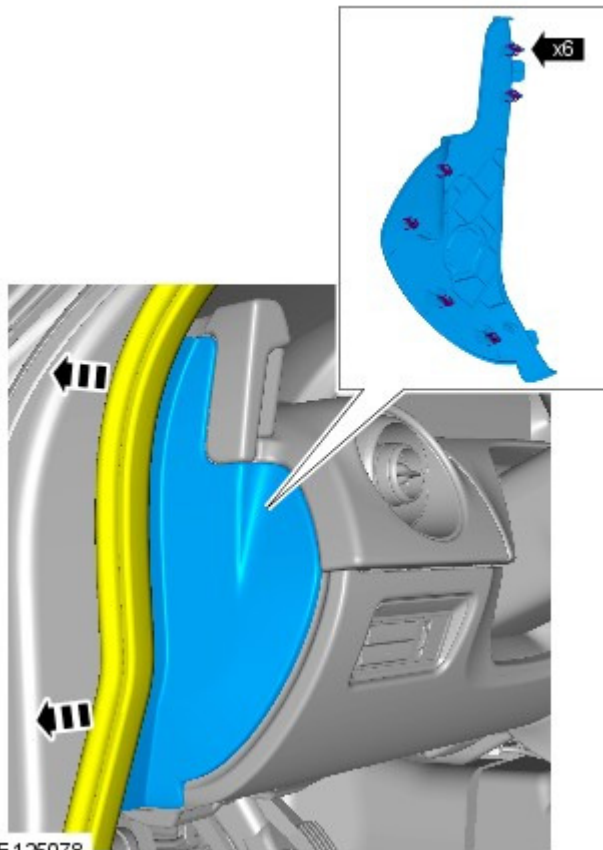
Instrument Panel and Console - Glove Compartment

Removal and Installation

Removal




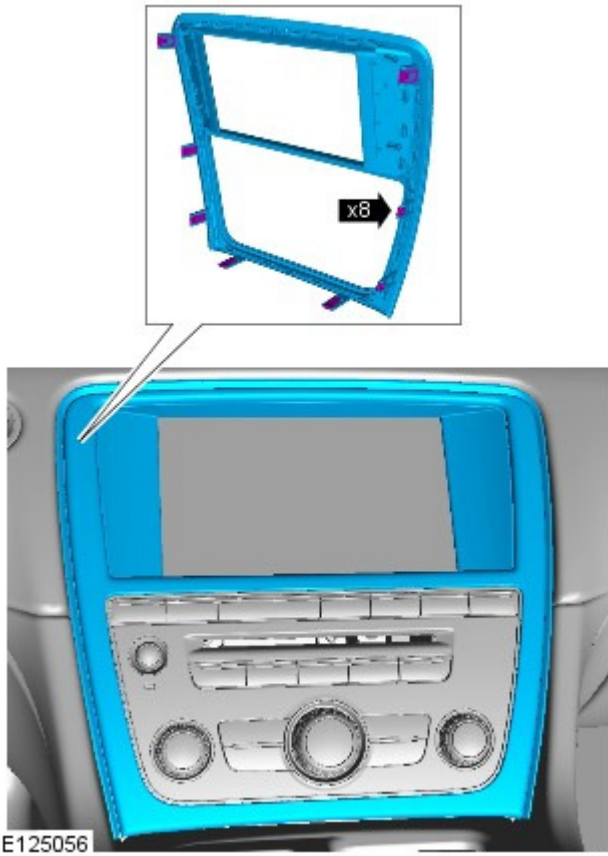
NOTE: Removal steps in this procedure may contain installation details.



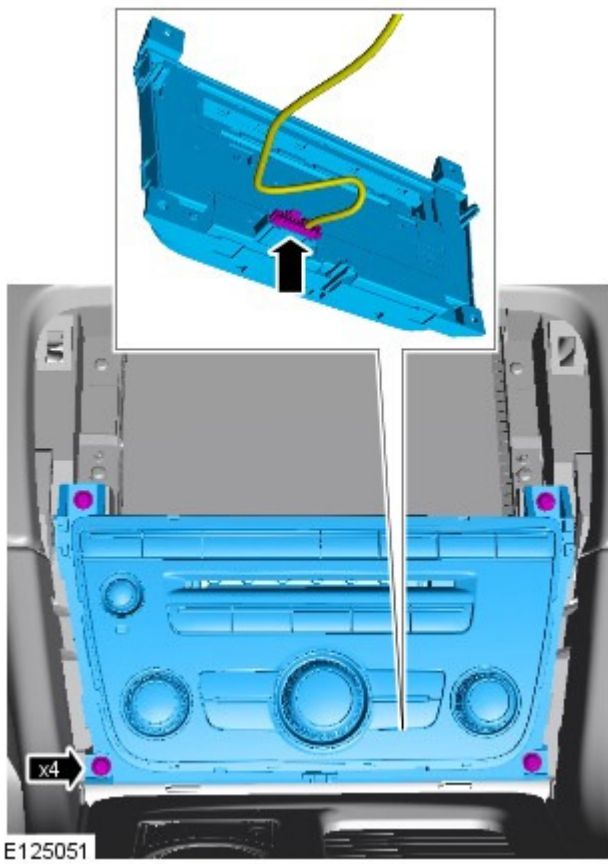
E 125078

1.

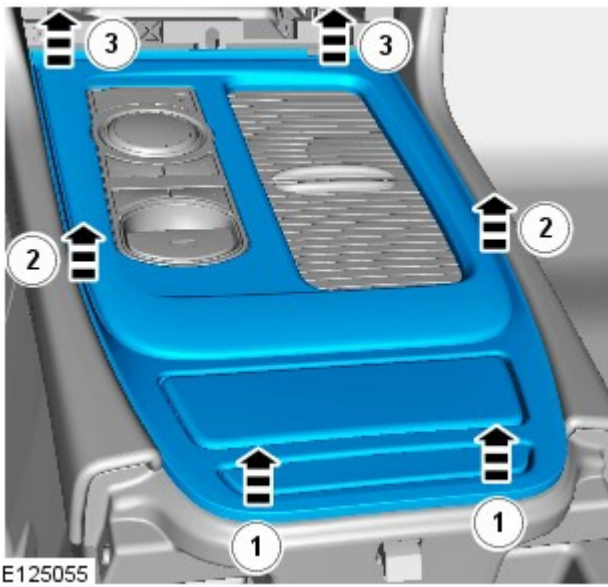
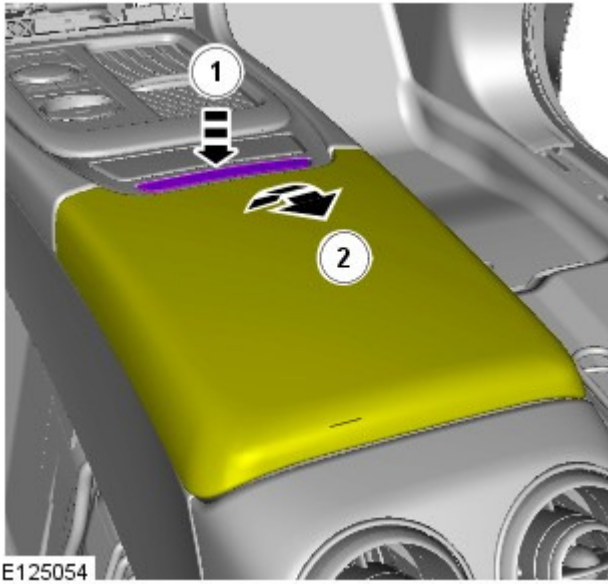
2.  CAUTION: Take extra care not to damage the edges of the component.




3.

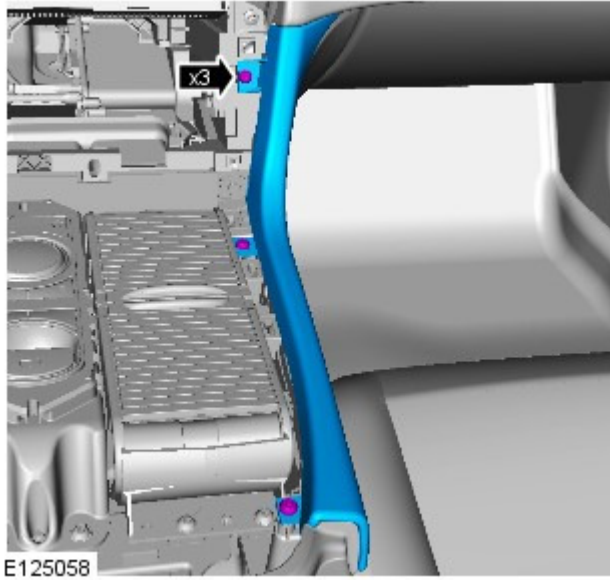


4.

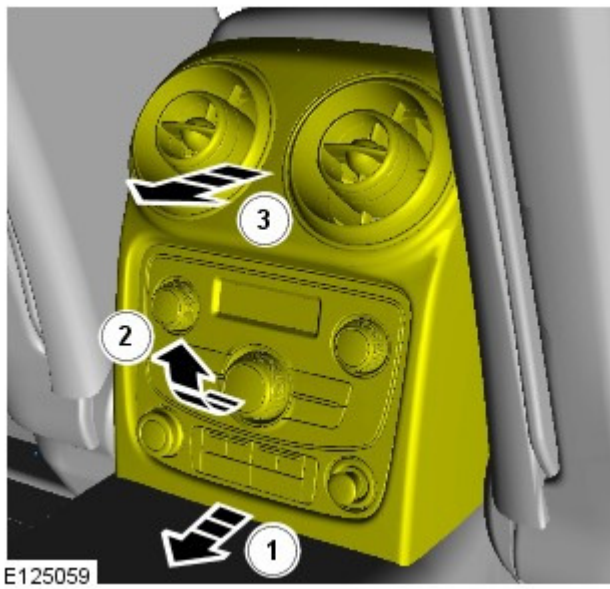



5.  CAUTION: Take extra care not to damage the edges of the component.

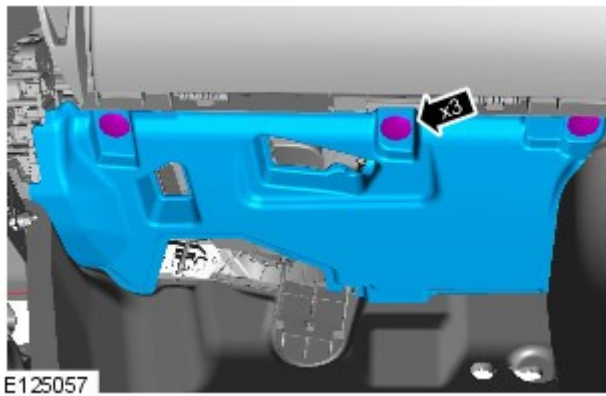
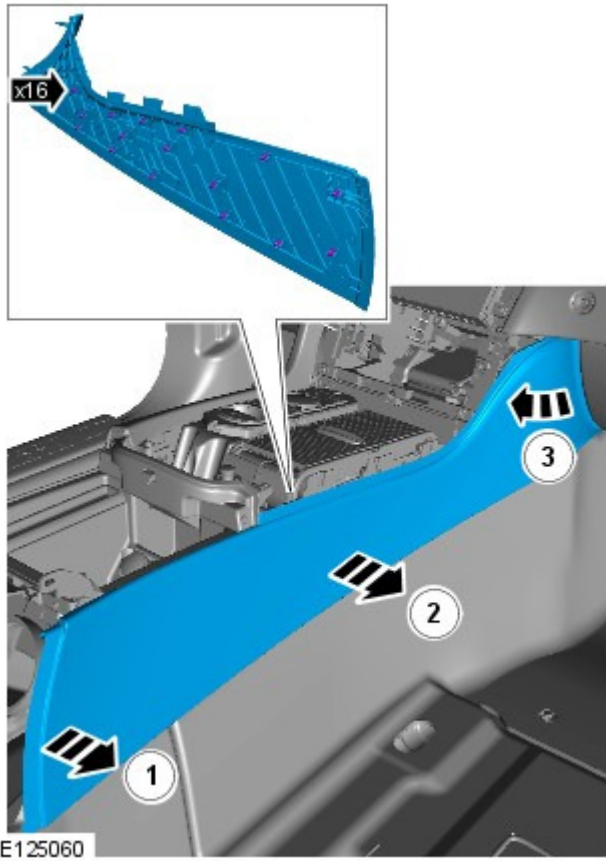
6. Torque: 2 Nm



7.



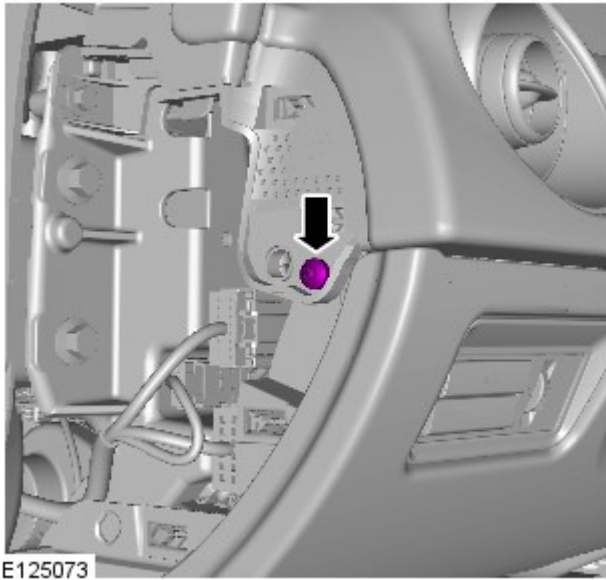
8.  NOTE: Some variation in the illustrations may occur, but the essential information is always correct.



9.

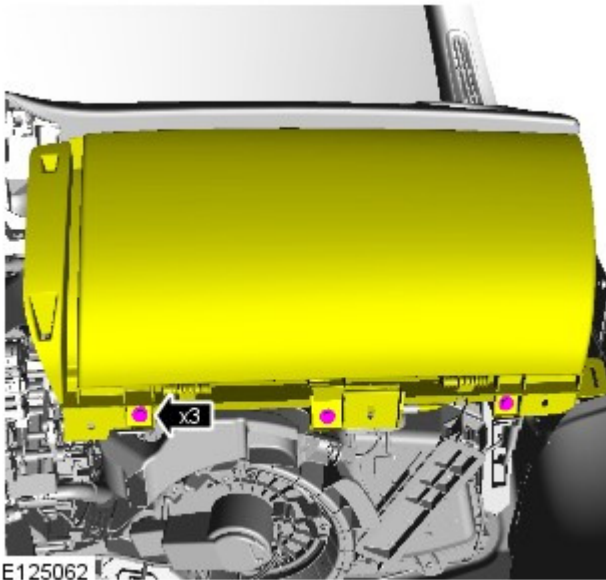
10.  CAUTION: LH illustration shown, RH is similar.

Torque: 2.5 Nm



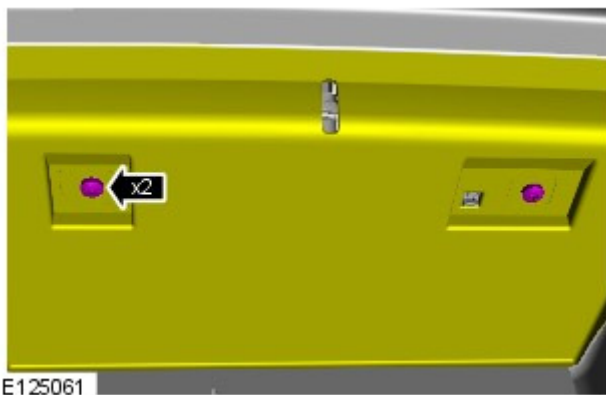
E125073

11. Torque: 9 Nm



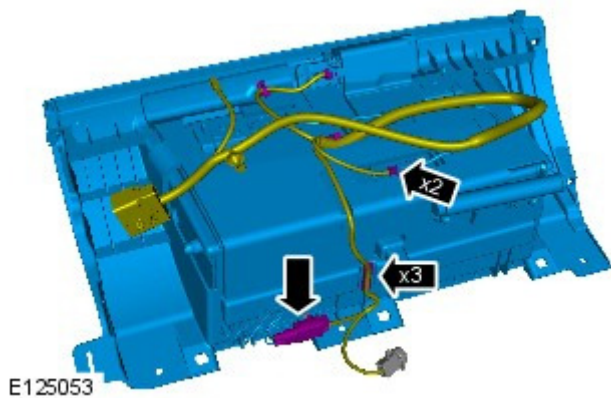
E125062

12. Torque: 2.5 Nm

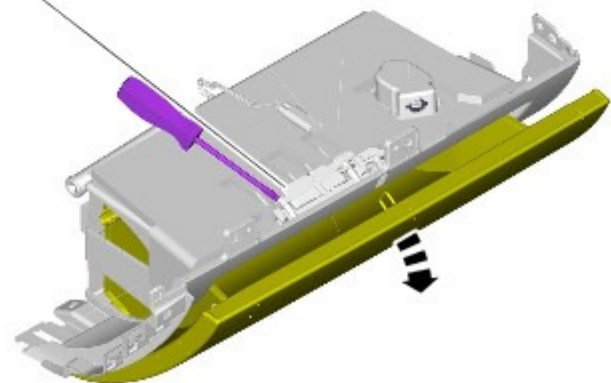
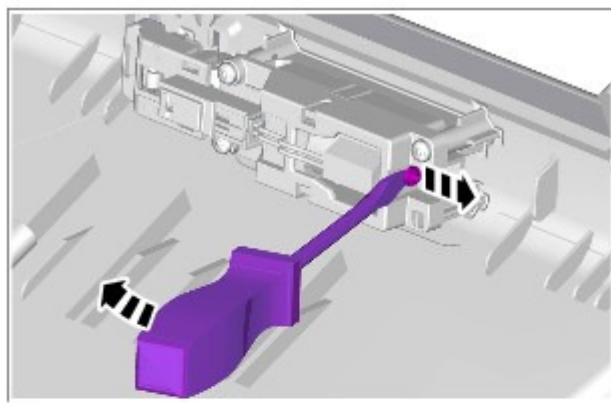


E125061

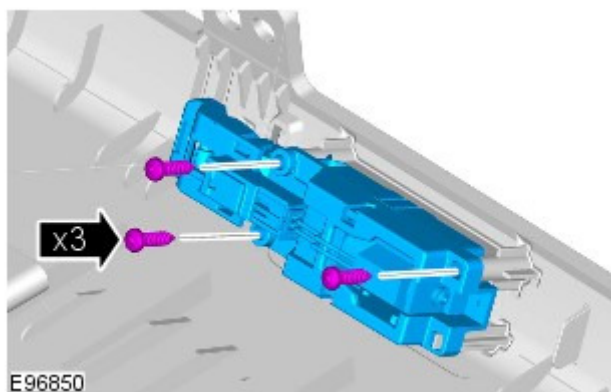
13.



E125053




E96849




E96850

14. NOTES:

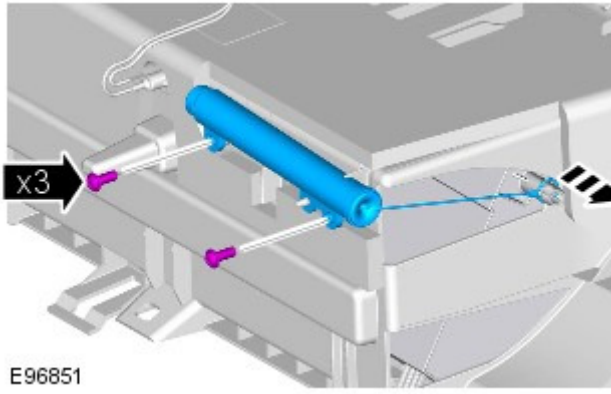
 Some variation in the illustrations may occur, but the essential information is always correct.

 Do not disassemble further if the component is removed for access only.

15.  NOTE: Some variation in the illustrations may occur, but the essential information is always correct.

Torque: 2 Nm

16. Torque: 2 Nm



Installation

1. To install, reverse the removal procedure.