

Published: 11-May-2011

Instrument Panel and Console - Overhead Console

Removal and Installation

Removal

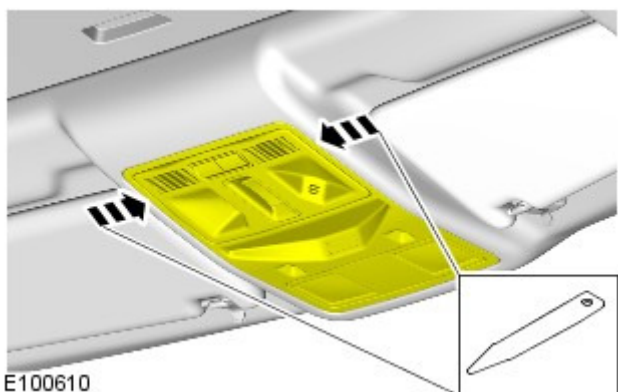
NOTES:



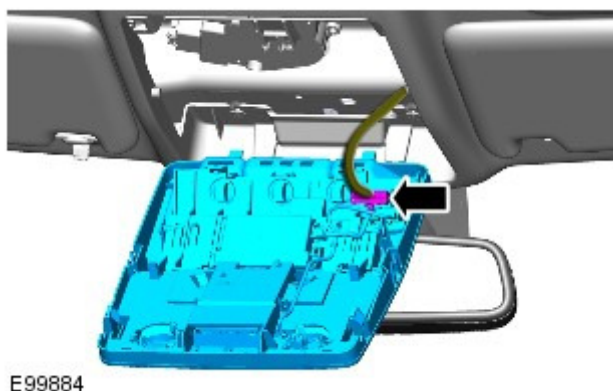
Removal steps in this procedure may contain installation details.



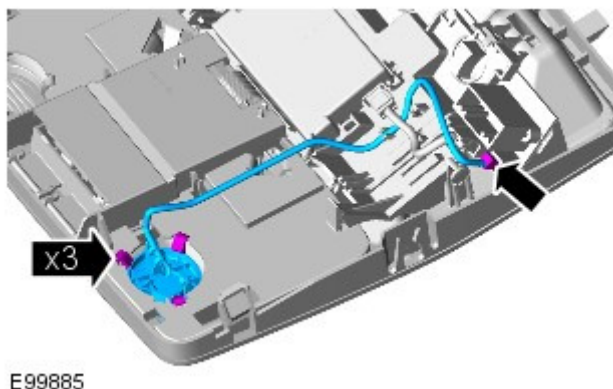
Some variation in the illustrations may occur, but the essential information is always correct.



1. **CAUTION:** Take extra care not to damage the edges of the component.

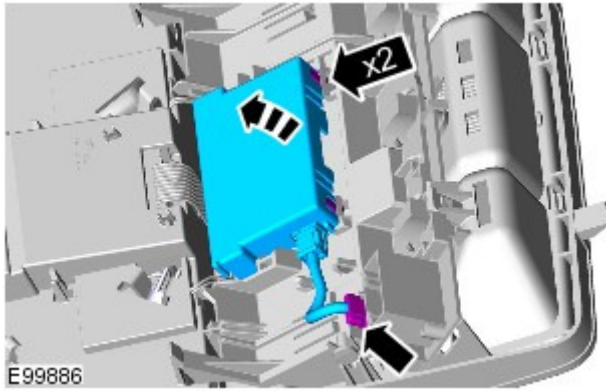


- 2.

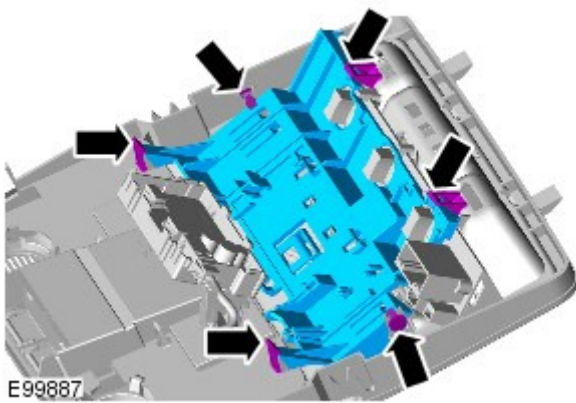


3. **NOTE:** Do not disassemble further if the component is removed for access only.

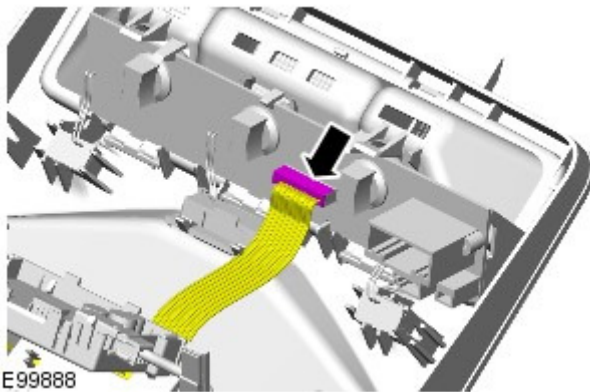
4. **CAUTION:** Take extra care not to damage the wiring harnesses.




- Take precautions to avoid any electrostatic charging, which could damage this component.

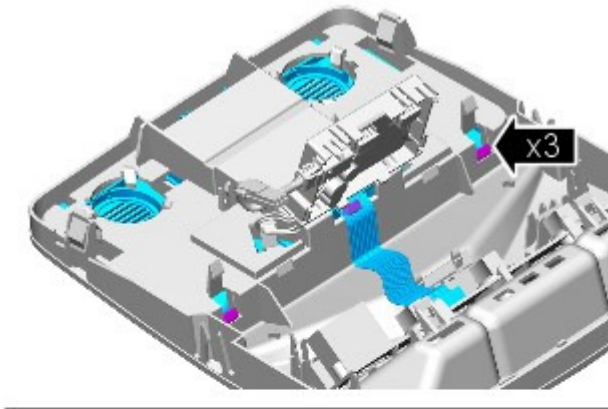


5.



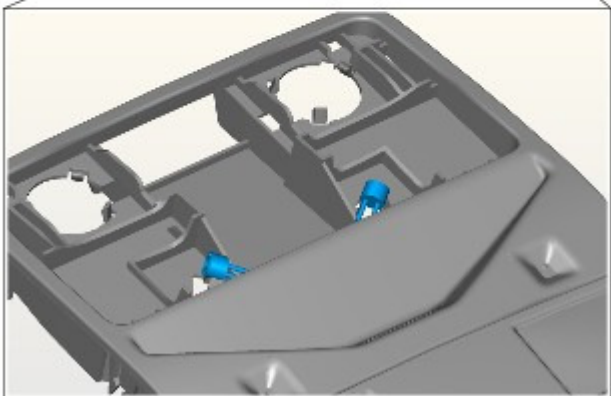
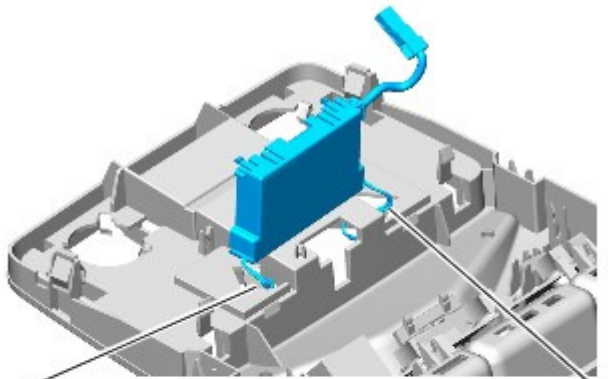
6.  CAUTION: Take extra care not to damage the wiring harnesses.

7.




E99889

8.



E99890

Installation

1.  **CAUTION:** Take extra care not to damage the wiring harnesses.

To install, reverse the removal procedure.

