

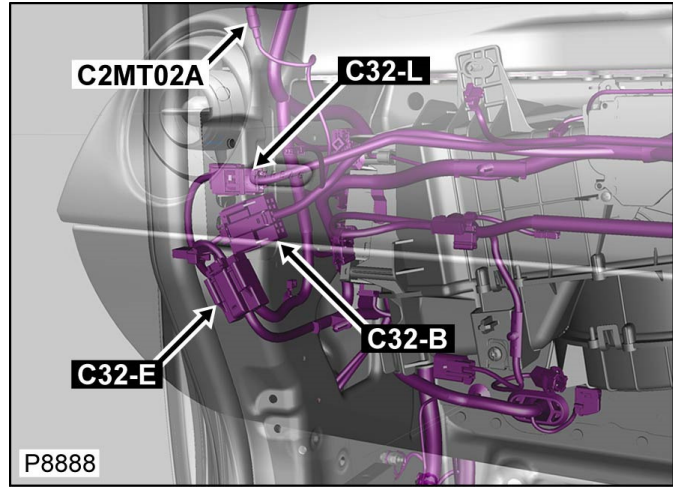
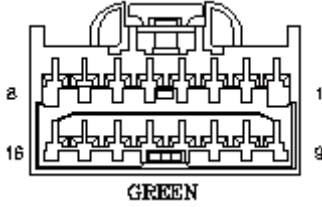
Connector: **C32-E**

Description: **Main harness to instrument panel harness**

CONNECTOR HOUSING NOT SERVICEABLE

Location: **Behind passenger side of Instrument panel**

Qualifier:



Part No.: **YPC910610**

Colour: **GREEN**

Cavities: **16WY**

Harness: **CABIN RH HARNESS**

Wire Chart and Service Repair Kit Information

CAV	CSA	COL	CCT	DESTN	Pre-Terminated Lead	Extract Tool	Crimpers	Wire Stripper	Heat Shrink Sleeve	Ident Sleeve	Splice
1	0.5	GY-OG	DR_D	S/JOINT SPL167	418-411-13	-	418-116A	418-117	418-104	418-112	418-107
1	0.5	GY-OG	DR_B	S/JOINT SPL151	418-411-13	-	418-116A	418-117	418-104	418-112	418-107
2	0.5	VT-OG	DR_D	S/JOINT SPL168	418-411-13	-	418-116A	418-117	418-104	418-112	418-107
2	0.5	VT-OG	DR_B	S/JOINT SPL152	418-411-13	-	418-116A	418-117	418-104	418-112	418-107
3	0.35	BN-VT	ALL	C3BP01B	418-411-13	-	418-116A	418-117	418-104	418-112	418-107
4	0.35	YE-OG	ALL	C3BP01B	418-411-13	-	418-116A	418-117	418-104	418-112	418-107
5	0.5	GY-BU	DR_D+CPQAB	C3R114A	418-411-13	-	418-116A	418-117	418-104	418-112	418-107
7	0.5	BN-VT	BY1AB	S/JOINT SPL221	418-411-13	-	418-116A	418-117	418-104	418-112	418-107
7	0.5	BN-VT	BY1AD	C33-R	418-411-13	-	418-116A	418-117	418-104	418-112	418-107
8	0.5	VT-RD	ALL	S/JOINT SPL342	418-411-13	-	418-116A	418-117	418-104	418-112	418-107
9	0.5	GY-OG	DR_D	S/JOINT SPL175	418-411-13	-	418-116A	418-117	418-104	418-112	418-107
9	0.5	GY-OG	DR_B	S/JOINT SPL076	418-411-13	-	418-116A	418-117	418-104	418-112	418-107
10	0.5	VT-OG	DR_D	S/JOINT SPL176	418-411-13	-	418-116A	418-117	418-104	418-112	418-107
10	0.5	VT-OG	DR_B	S/JOINT SPL077	418-411-13	-	418-116A	418-117	418-104	418-112	418-107
11	0.5	WH-GN	BY1AB	S/JOINT SPL268	418-411-13	-	418-116A	418-117	418-104	418-112	418-107
11	0.5	WH-GN	BY1AD	C33-R	418-411-13	-	418-116A	418-117	418-104	418-112	418-107
12	0.35	WH-VT	ALL	C3BP01H	418-411-13	-	418-116A	418-117	418-104	418-112	418-107
13	0.5	WH-BU	J3KAB	C44-C	418-411-13	-	418-116A	418-117	418-104	418-112	418-107
16	0.5	GN-WH	ALL	C3BP01A	418-411-13	-	418-116A	418-117	418-104	418-112	418-107