

Published: 10-Feb-2012

Interior Trim and Ornamentation - C-Pillar Lower Trim Panel

Removal and Installation

Removal



NOTE: Removal steps in this procedure may contain installation details.

All vehicles

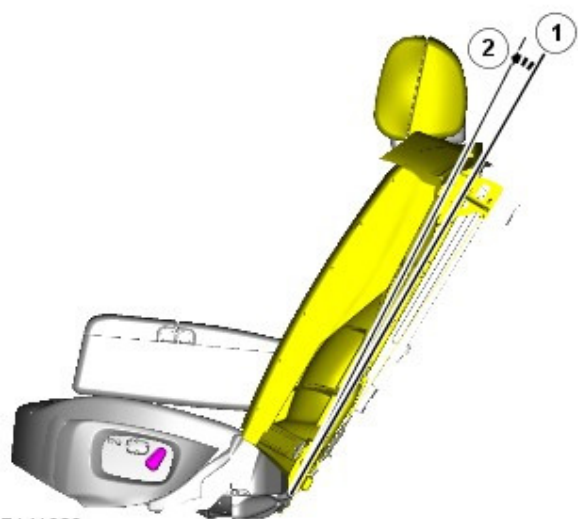
1. Refer to: [C-Pillar Trim Panel](#) (501-05 Interior Trim and Ornamentation, Removal and Installation).

Vehicles with split rear seat backrest



NOTE: If equipped.

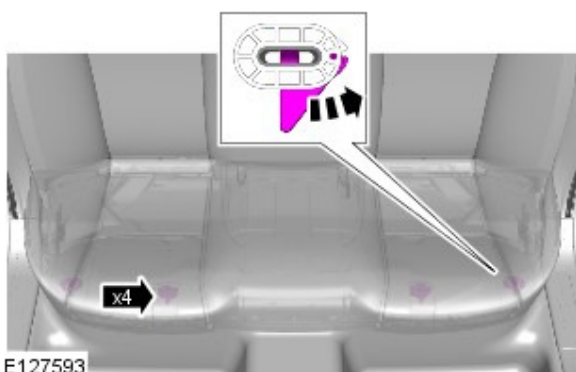
2. Fully recline the rear seat backrest, then adjust it slightly back up to aid access.



E141929

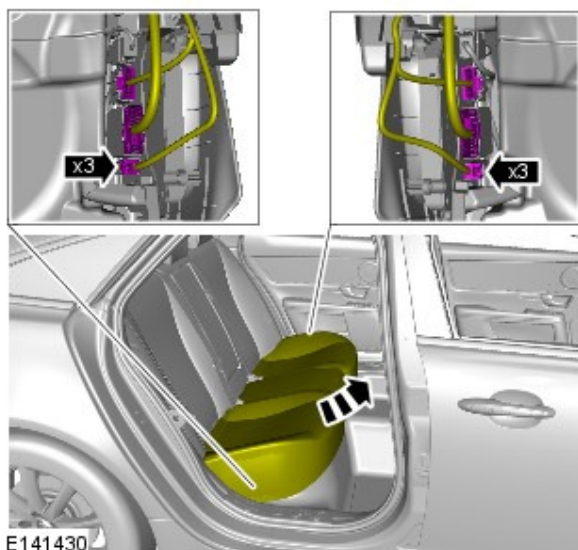
All vehicles

- 3.

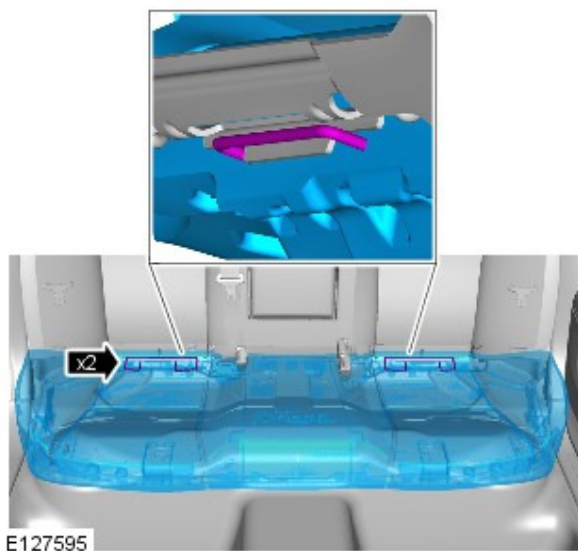


E127593

- 4.



5.

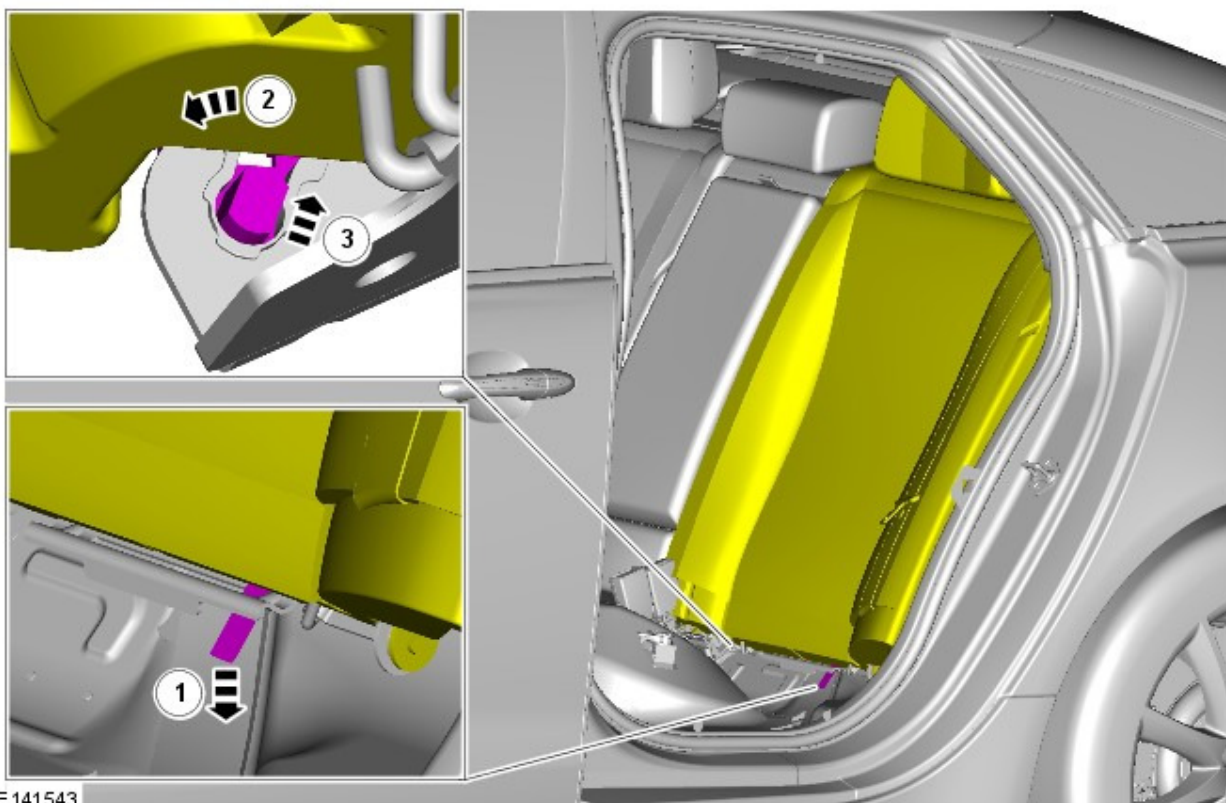


Vehicles with split rear seat backrest



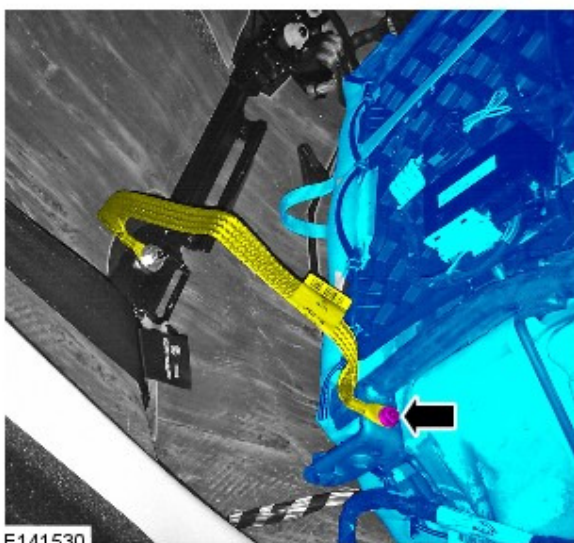
NOTE: If equipped.

6.



E141543

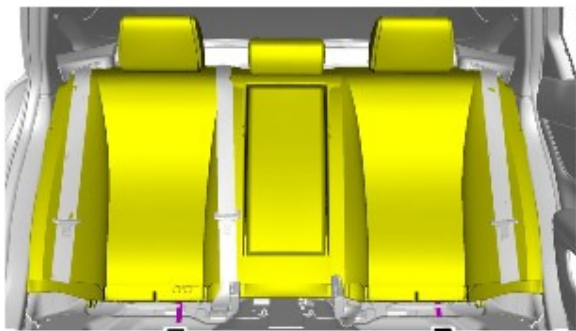
7. Torque: 10 Nm



E141530

All vehicles

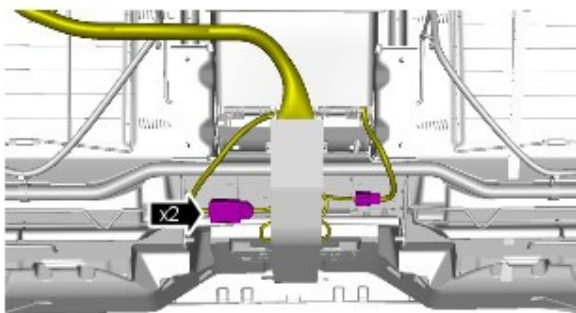
8.



E127579


Vehicles with rear passenger entertainment system

9.



E127581

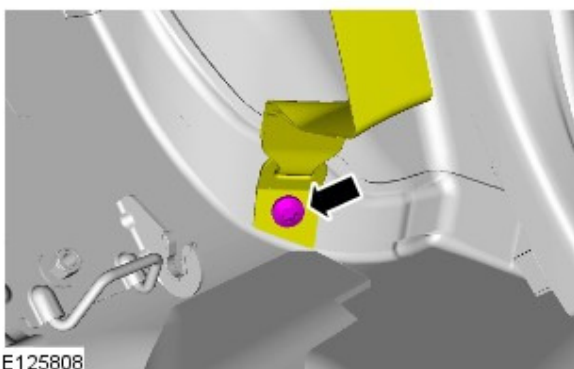
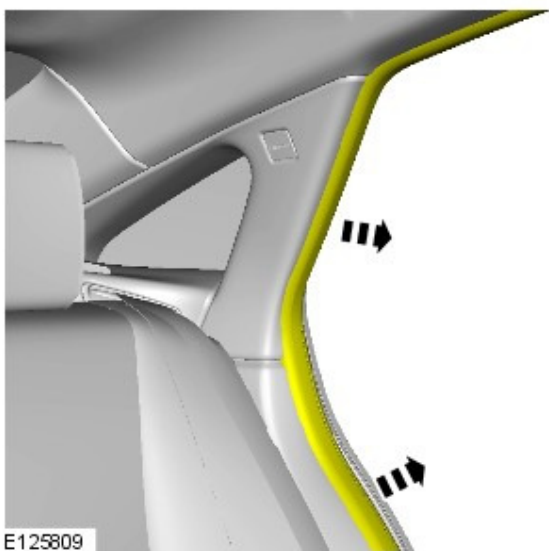
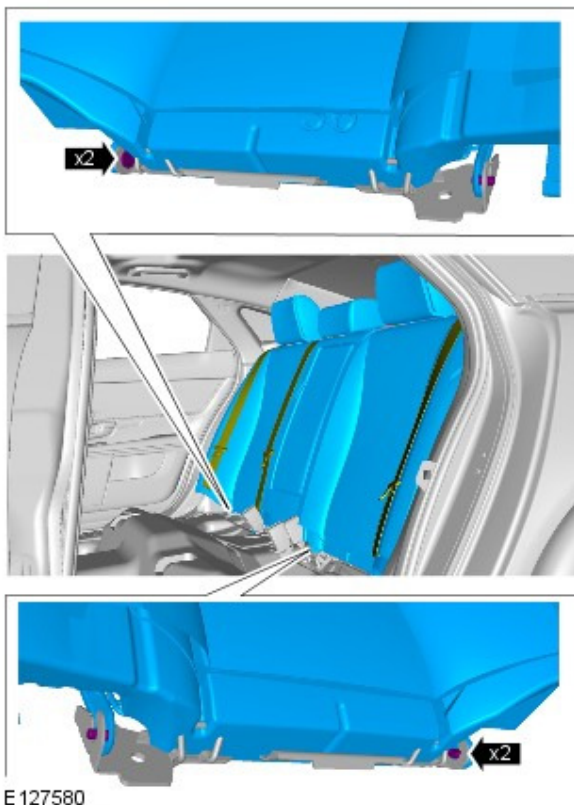
All vehicles


10.  NOTE: Note the position of the wiring harnesses to aid installation.



E128812

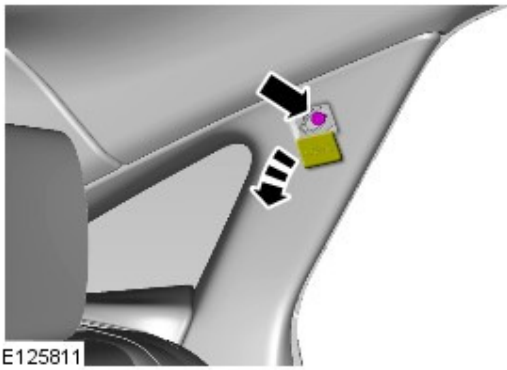
11.



12.  NOTE: Some variation in the illustrations may occur, but the essential information is always correct.

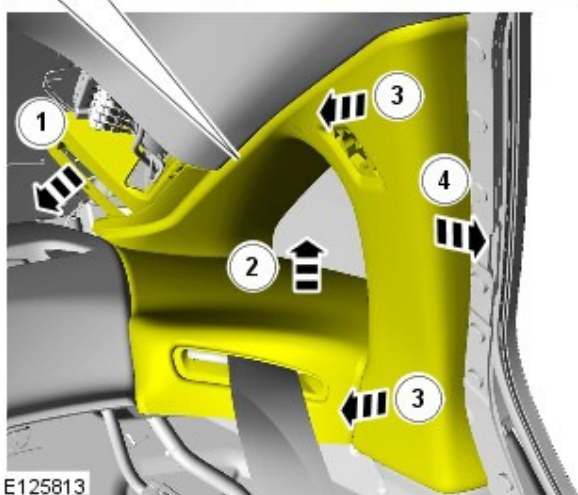
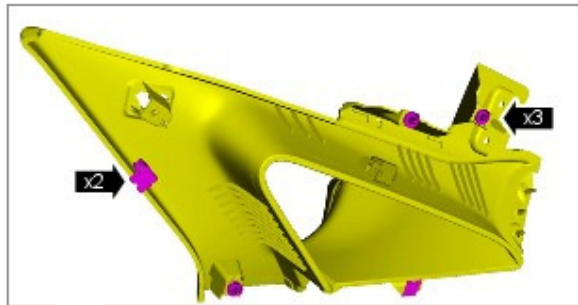
13. Torque: 40 Nm

14. Torque: 6 Nm



E125811

15.



E125813

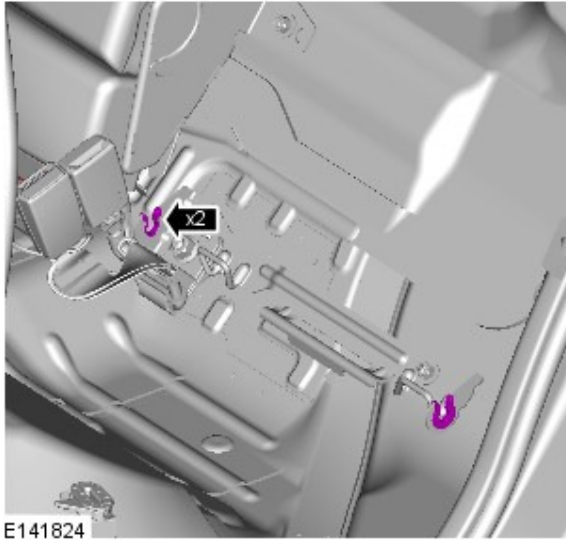
16.




E125810

Installation

1. To install, reverse the removal procedure.



2.  NOTE: Make sure that all the clips are correctly installed.