


Bumpers - Front Bumper Cover

Removal and Installation

Removal

NOTE: Removal steps in this procedure may contain installation details.

NOTE: The ignition must be switched off.

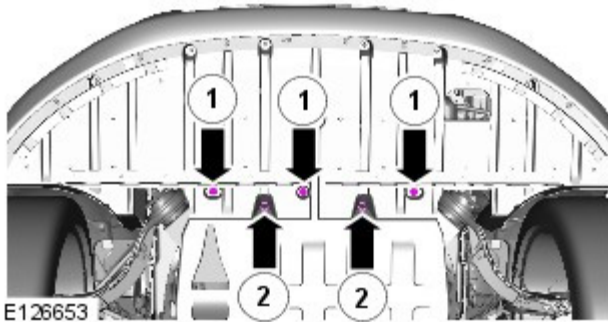
1. Refer to: Battery Disconnect and Connect (414-01, General Procedures).
2.  **WARNING:** Make sure to support the vehicle with axle stands.

Raise and support the vehicle.

3. Remove both the front wheels and tires.

Refer to: Wheel and Tire (204-04, Removal and Installation).

4. *Torque:*
 - 1 7 Nm
 - 2 3.2 Nm



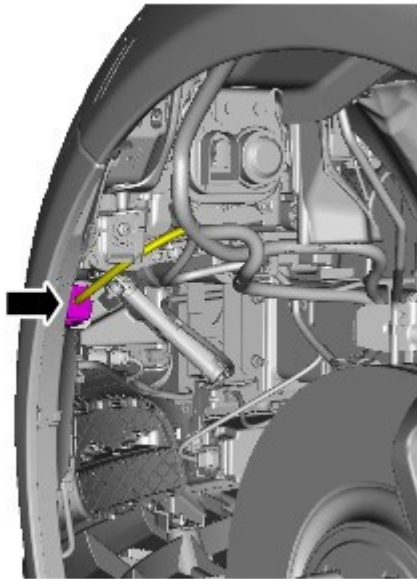
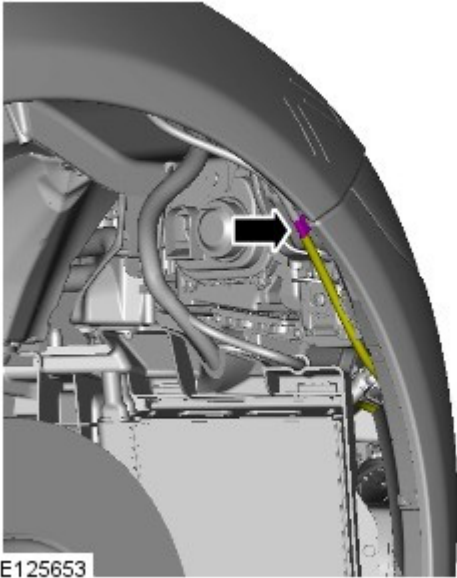
5. NOTE: RH illustration shown, LH is similar.

NOTE: The procedure must be carried out on both sides.

Torque: 1.5 Nm



- 6.

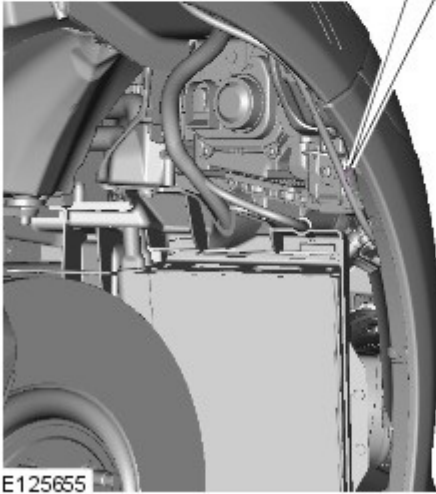
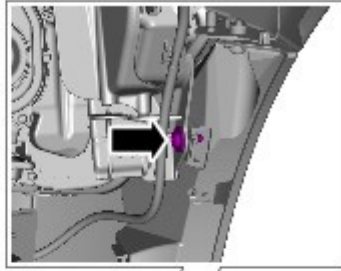


7.

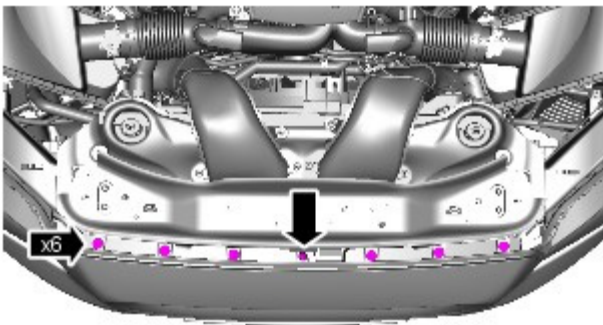
8. NOTE: RH illustration shown, LH is similar.

NOTE: The procedure must be carried out on both sides.

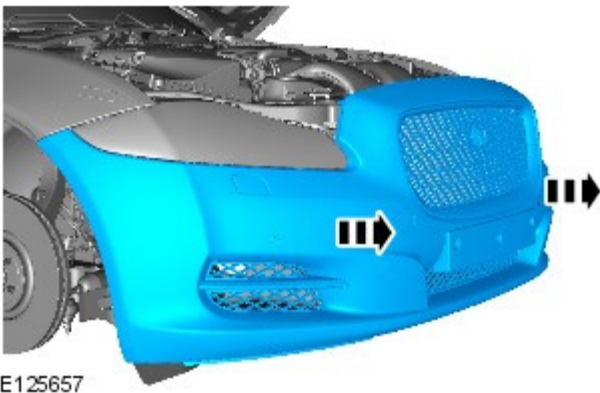
Torque: 3.2 Nm




9. Torque: 1.9 Nm



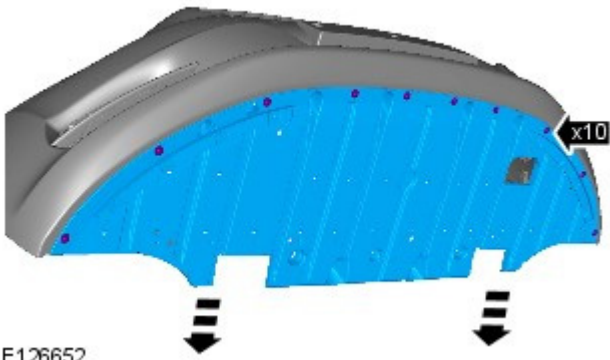
10.



11.  CAUTION: Make sure that the clips are correctly located.

NOTE: Do not disassemble further if the component is removed for access only.

Torque: 7 Nm

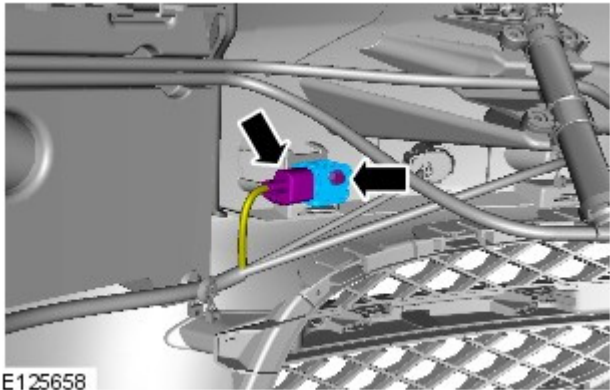


E126652

12. NOTE: The procedure must be carried out on both sides.

NOTE: RH illustration shown, LH is similar.

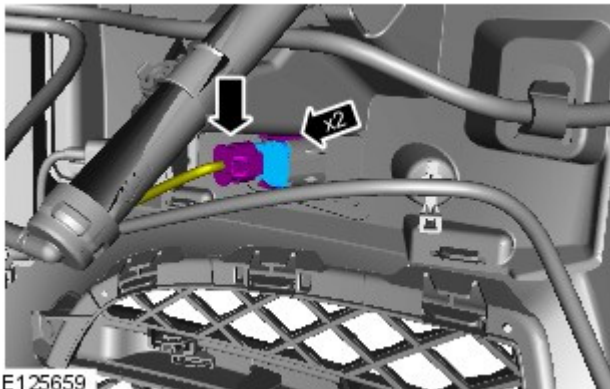
Torque: 3.2 Nm



E125658

13. NOTE: RH illustration shown, LH is similar.

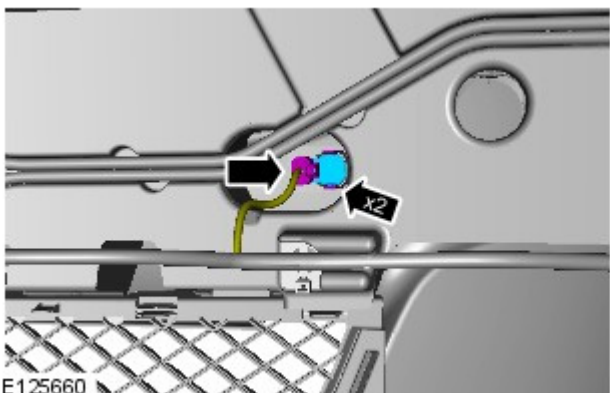
NOTE: The procedure must be carried out on both sides.



E125659

14. NOTE: RH illustration shown, LH is similar.

NOTE: The procedure must be carried out on both sides.

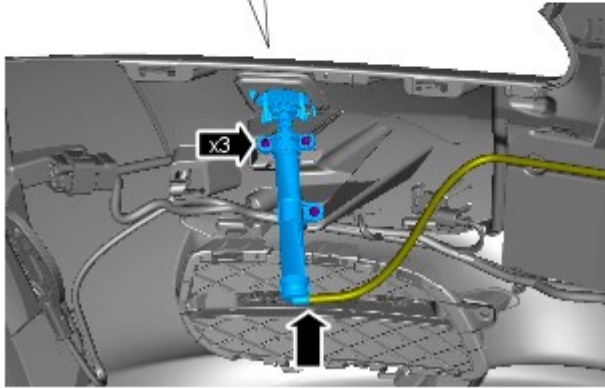
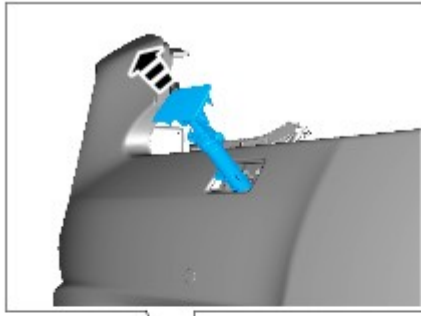


E125660

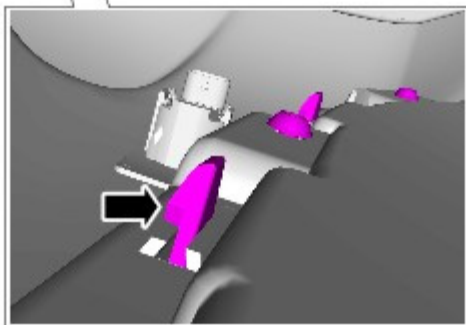
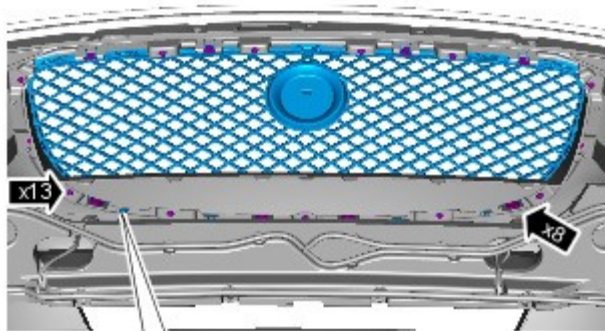
15. NOTE: LH illustration shown, RH is similar.

NOTE: The procedure must be carried out on both sides.

Torque: 1.5 Nm




E125784



E126651

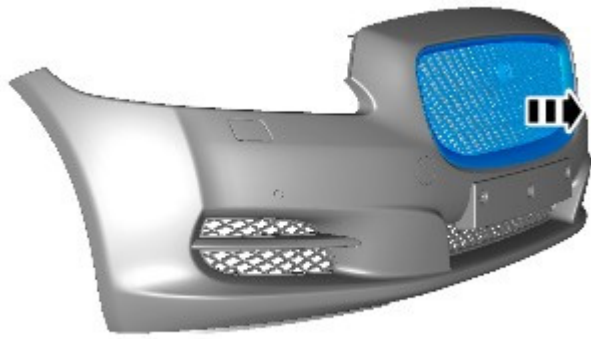
16. CAUTIONS:

 Protect the surrounding paintwork to avoid damage.

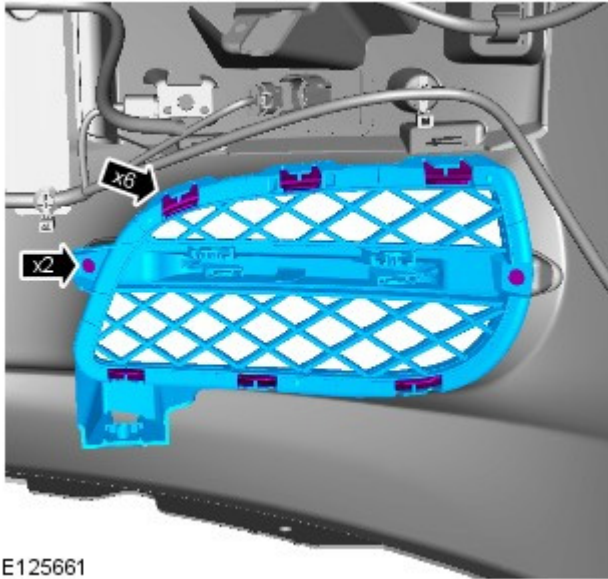
 Take extra care not to damage the clips.

Torque: 1.5 Nm

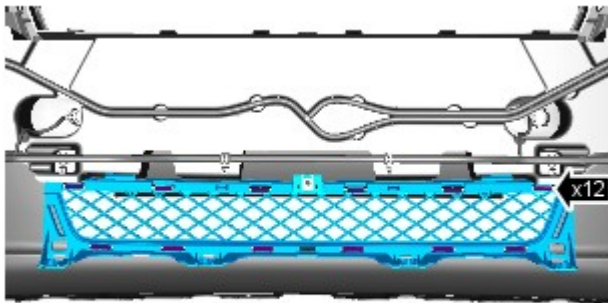
17.



E126650



E125661



E125662

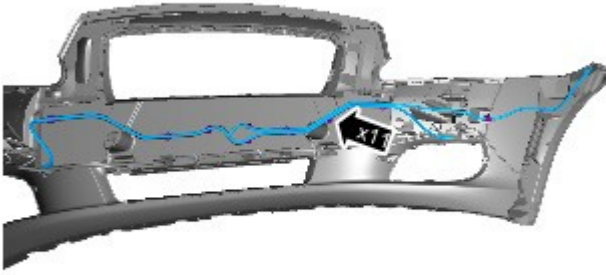
18. NOTE: RH illustration shown, LH is similar.

NOTE: The procedure must be carried out on both sides.

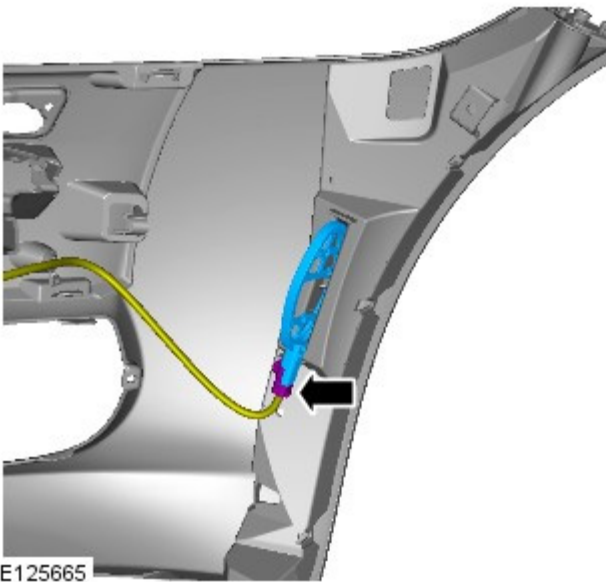
Torque: 1.5 Nm

19.  CAUTION: Take extra care not to damage the clips.

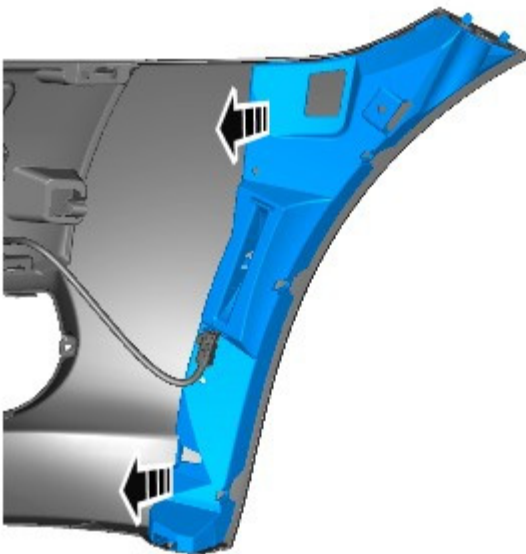
20. NOTE: Take note of the routing.



E125664



E125665



E125666

21. NOTE: RH illustration shown, LH is similar.

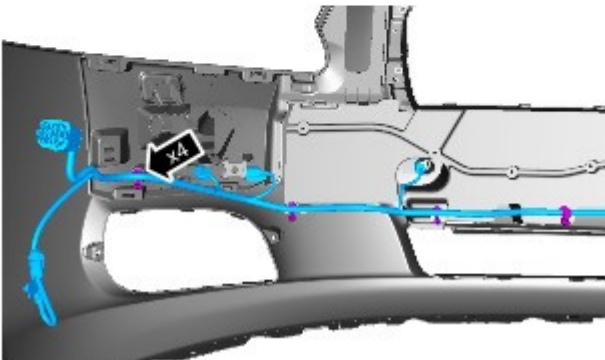
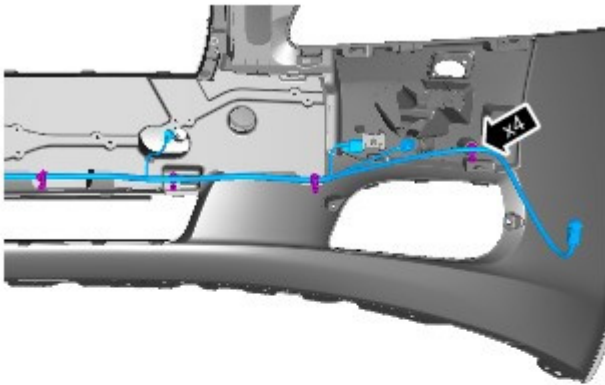
NOTE: The procedure must be carried out on both sides.

22.  CAUTION: Make sure the locating dowels are installed correctly.

NOTE: RH illustration shown, LH is similar.

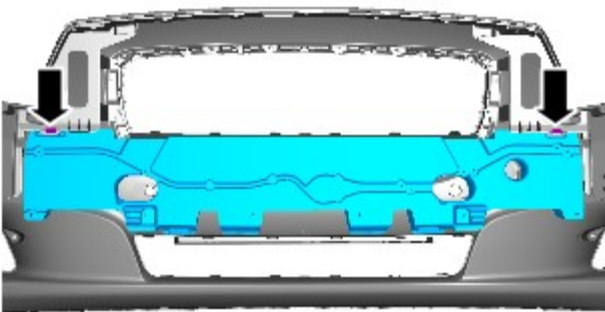
NOTE: The procedure must be carried out on both sides.

23. NOTE: Make sure the wiring harness is routed correctly.



E125667

24.



E125668

Installation

1. To install, reverse the removal procedure.