

2011.75 XJ RANGE (X351), 501-05

INTERIOR TRIM AND ORNAMENTATION

HEADLINER (G1267476)

REMOVAL AND INSTALLATION

REMOVAL

NOTE:

Removal steps in this procedure may contain installation details.

All vehicles

1. Refer to: [Battery Disconnect and Connect](#) (414-01 Battery, Mounting and Cables, General Procedures).
2. Refer to: [Interior Rear View Mirror](#) (501-09 Rear View Mirrors, Removal and Installation).
3. Refer to: [Overhead Console](#) (501-12 Instrument Panel and Console, Removal and Installation).

4. NOTE:

The procedure must be carried out on both sides.

Refer to: [Sun Visor](#) (501-05 Interior Trim and Ornamentation, Removal and Installation).

5.

 **NOTE:**

The procedure must be carried out on both sides.

Refer to: ['A' Pillar Trim Panel](#) (501-05 Interior Trim and Ornamentation, Removal and Installation).

6.

 **NOTE:**

The procedure must be carried out on both sides.

Refer to: ['B' Pillar Upper Trim Panel](#) (501-05 Interior Trim and Ornamentation, Removal and Installation).

7.

 **NOTE:**

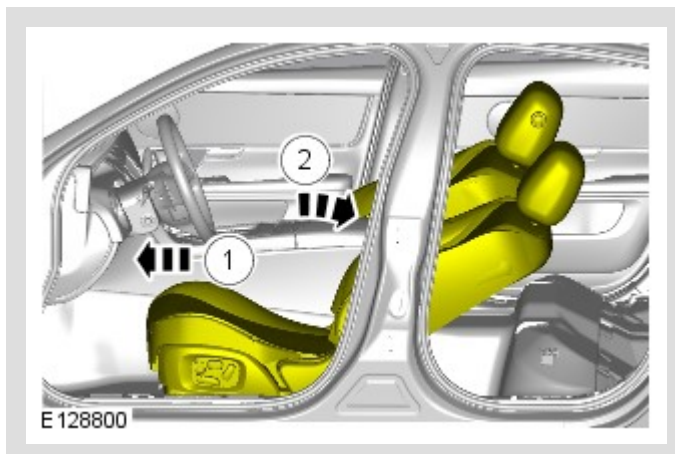
The procedure must be carried out on both sides.

Refer to: ['C' Pillar Lower Trim Panel](#) (501-05 Interior Trim and Ornamentation, Removal and Installation).

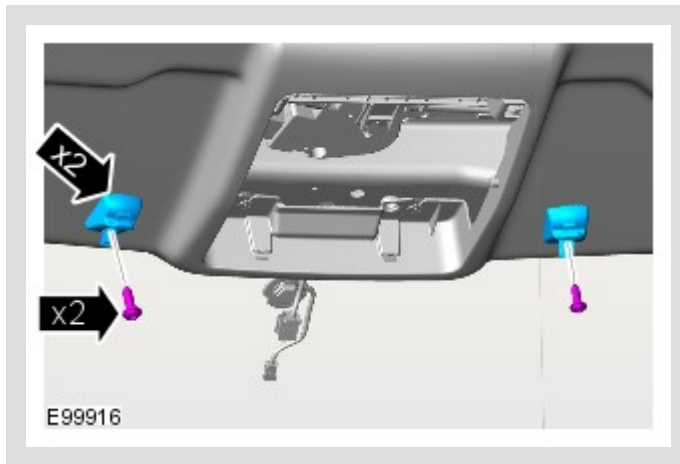
8.

Refer to: [Windshield Glass](#) (501-11 Glass, Frames and Mechanisms, Removal and Installation).

9.

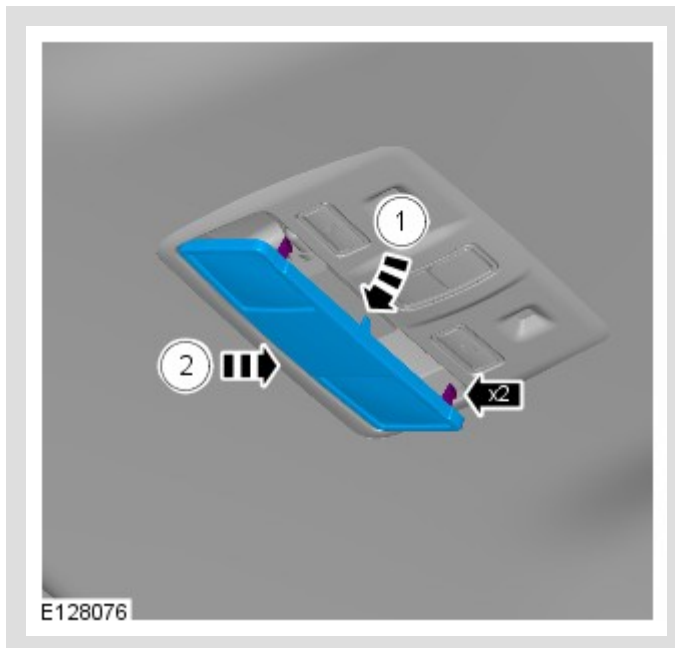


10.

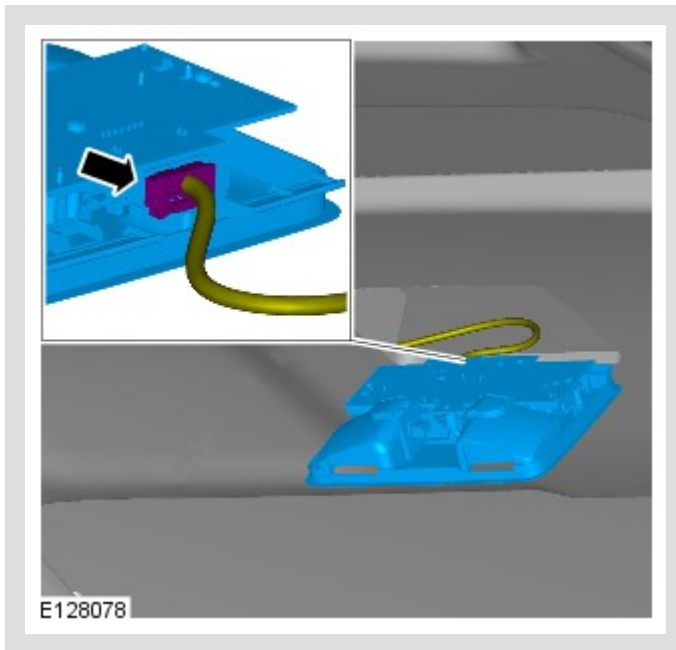


Torque: 2 Nm

11.



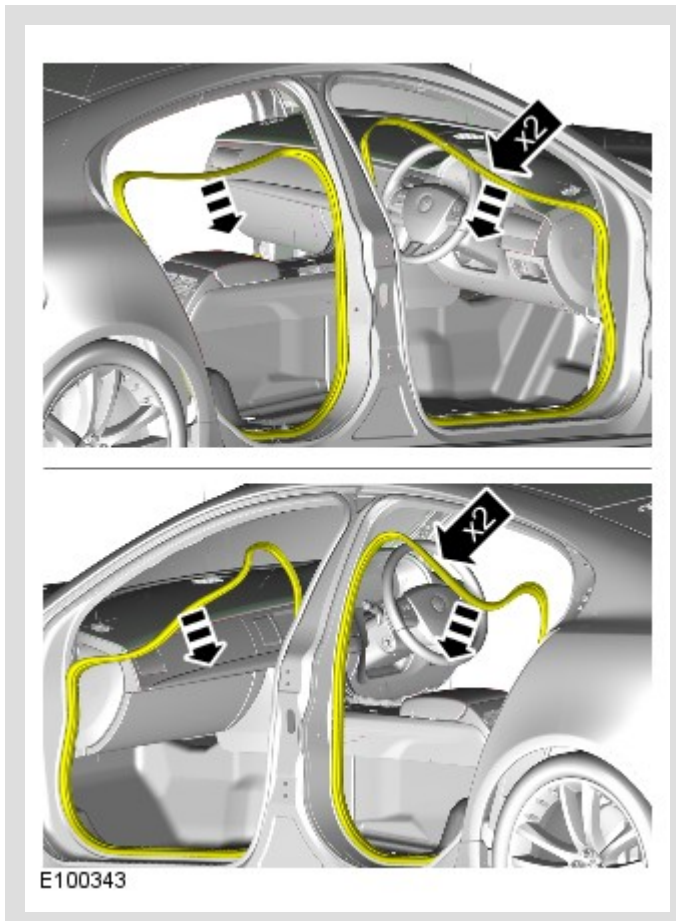
12.



13.

NOTE:

Some variation in the illustrations may occur, but the essential information is always correct.



14.

 NOTES:

- Make sure that the component is installed to the position noted on removal.
- Right-hand shown, left-hand similar.
- The procedure must be carried out on both sides.

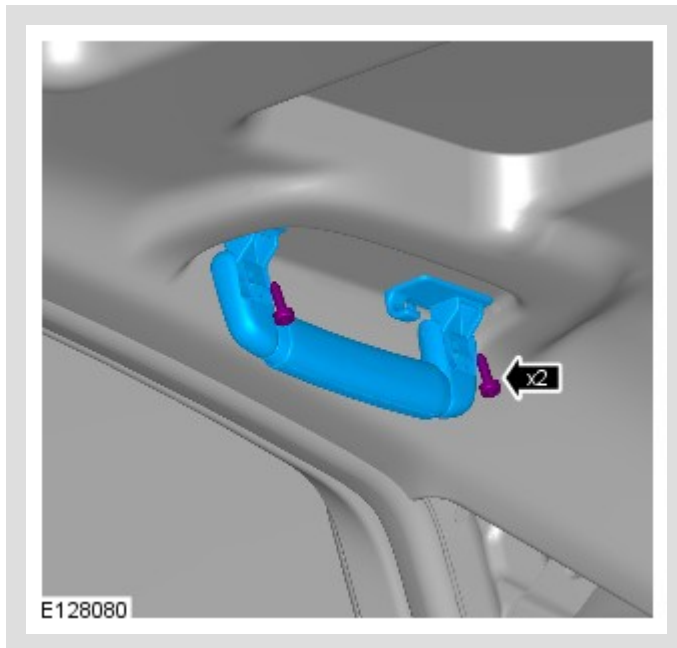


Torque: 2 Nm

15.

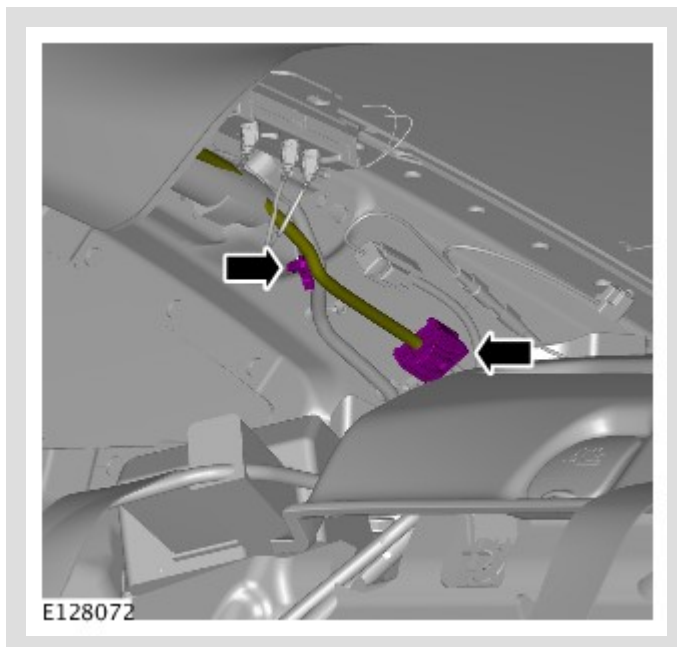
 NOTES:

- Make sure that the component is installed to the position noted on removal.
- Right-hand shown, left-hand similar.
- The procedure must be carried out on both sides.



Torque: 2 Nm

16.



17.

⚠ WARNING:

This step requires the aid of another technician.

⚠ CAUTIONS:

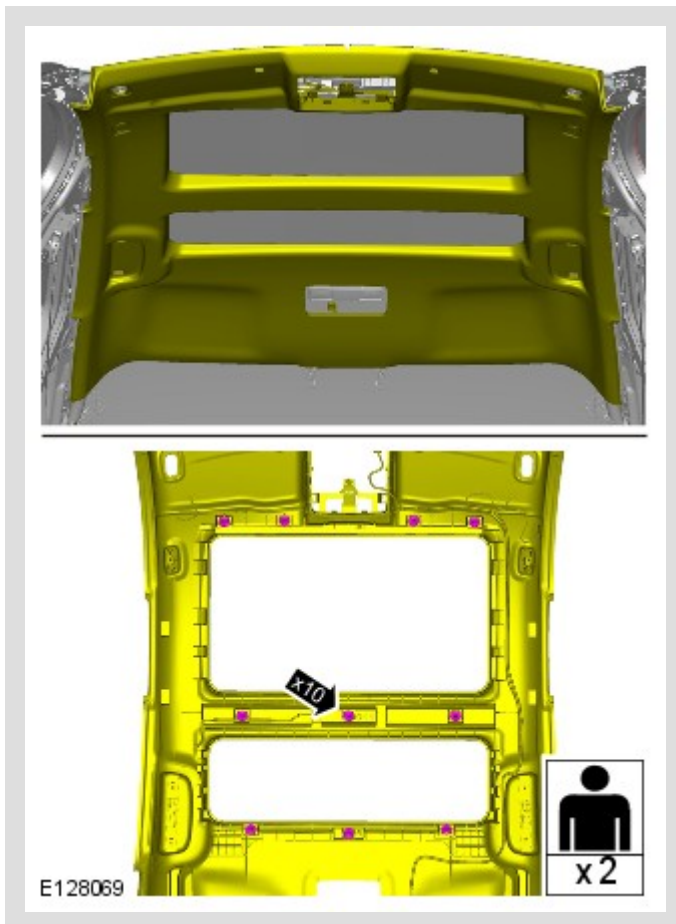
- Note the fitted position of the component prior to removal.
- Make sure that these components are installed to the noted removal position.



18.

△ NOTE:

This step requires the aid of another technician.

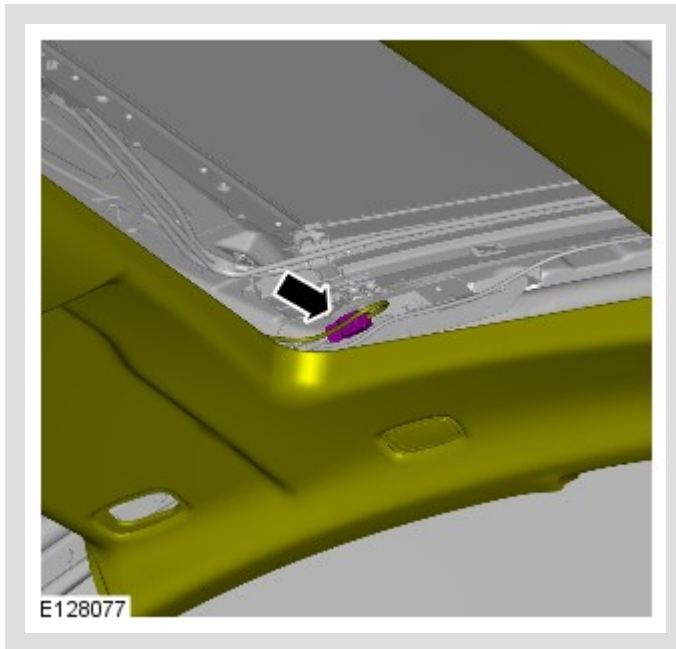


19.



NOTE:

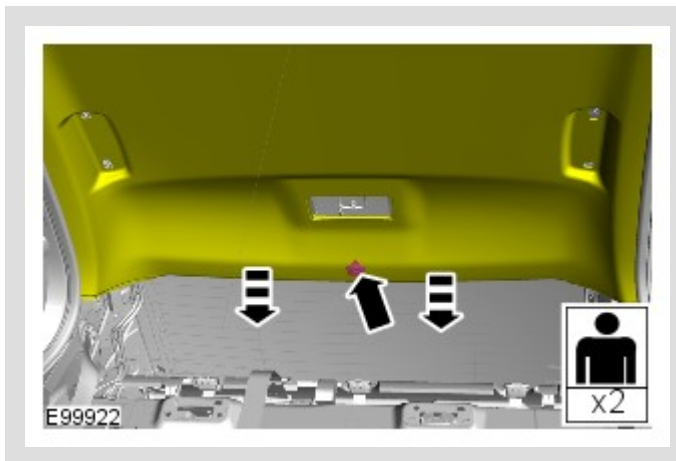
This step requires the aid of another technician.



20.

 **WARNING:**

This step requires the aid of another technician.



21.

 **NOTES:**

- This step requires the aid of another technician.
- Make sure the front and rear passenger assist handles and headliner retaining clips are installed to the headliner prior to installation.



22.

 **CAUTION:**

Note the fitted position of the component prior to removal.

 **NOTES:**

- Make sure that the component is installed to the position noted on removal.
- Right-hand shown, left-hand similar.
- The procedure must be carried out on both sides.

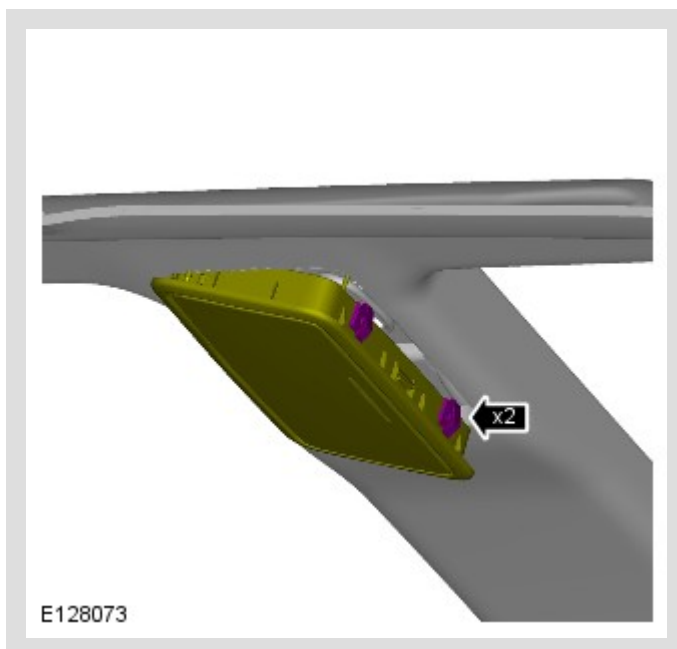


Long wheelbase

1.

 NOTES:

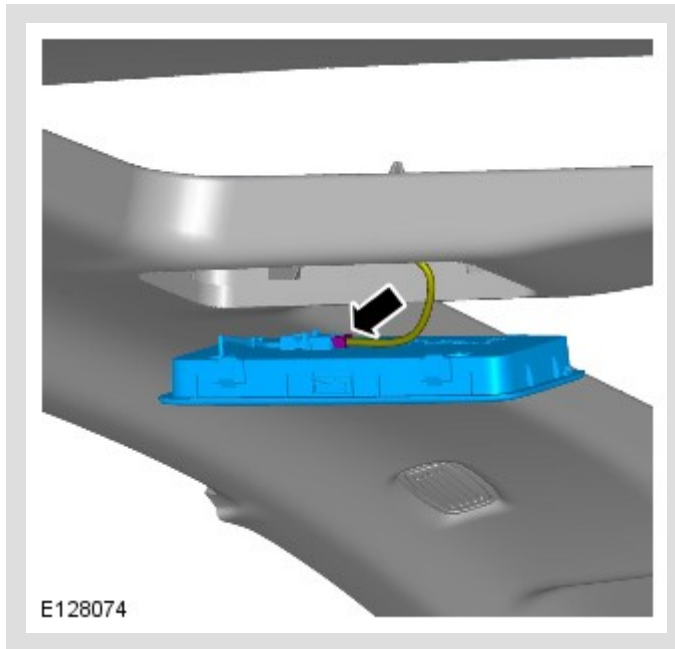
- Do not disassemble further if the component is removed for access only.
- Left-hand shown, right-hand similar.



2.

NOTE:

Left-hand shown, right-hand similar.



INSTALLATION

1. To install, reverse the removal procedure.