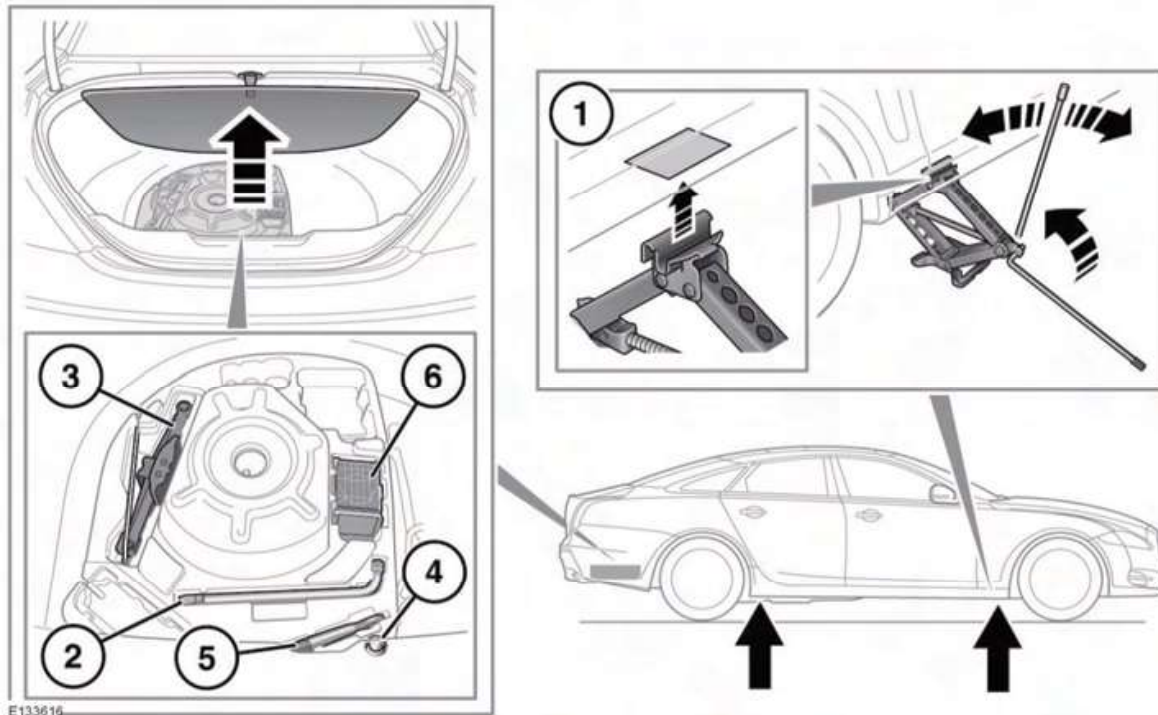


# Wheel changing

## WHEEL CHANGING



Before raising the vehicle slacken but do not remove the wheel nuts.

1. Observe the instructions printed on the jack.

There are 4 jacking points on the underside of the floor. Two indented, triangular indicators are provided on each sill cover. These indicate the location for the jack.

Carefully raise the vehicle by turning the jack handle. Stop jacking the vehicle when the tire just clears the ground. Minimum tire lift gives maximum vehicle stability.

**Note:** To remove the center badge use the plastic tipped end of the wheel nut wrench handle, push the center badge from its housing from the inside of the wheel.

To remove the spare wheel, unscrew and remove the bolt through the center.

Fit the spare wheel and loosely secure with the wheel nuts.

Lower the vehicle and then tighten the wheel nuts. See **195, TIGHTENING THE WHEEL NUTS.**

2. Wheel brace.
3. Jack.
4. Locking wheel nut adaptor.
5. Towing eye.
6. Wheel chock.

### TEMPORARY USE SPARE WHEEL

Observe the following warnings before using the wheel:

#### **⚠ WARNING**

**When a temporary use spare wheel is fitted, drive with caution and replace with the specified wheel and tire as soon as possible.**

**Do not fit more than one temporary use spare wheel and tire assembly to the vehicle at any one time.**