

2011.75 XJ RANGE (X351), 501-17

## ROOF OPENING PANEL

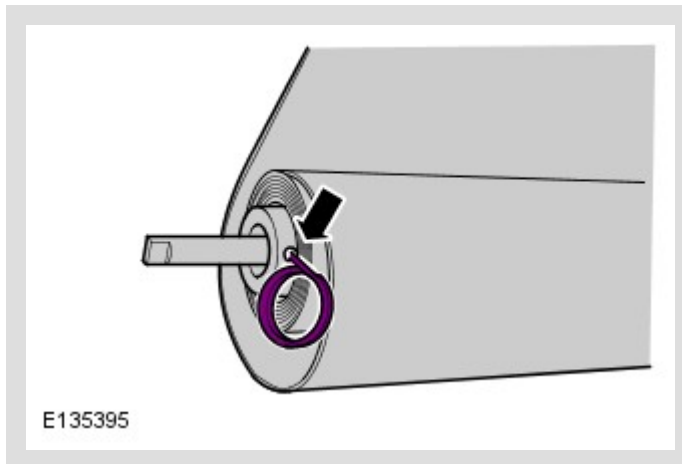
# ROOF OPENING PANEL BLIND REWIND PROCEDURE (G1392646)

### GENERAL PROCEDURES

### ACTIVATION

1. Refer to: [Roof Opening Panel Blind](#) (501-17 Roof Opening Panel, Removal and Installation).

2.



Remove the retaining clip.

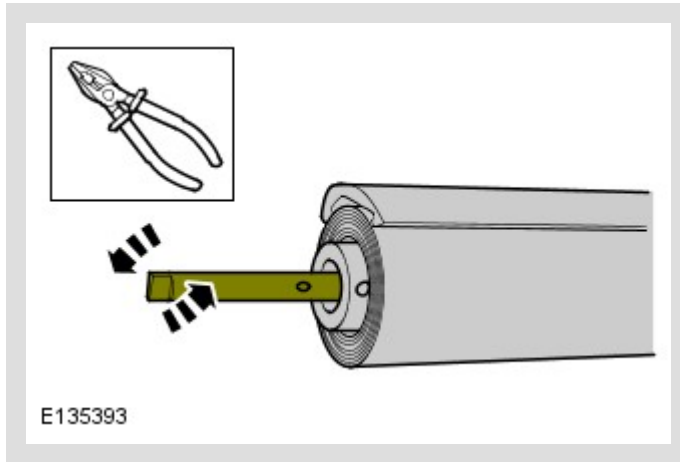
3.

### ⚠ CAUTIONS:

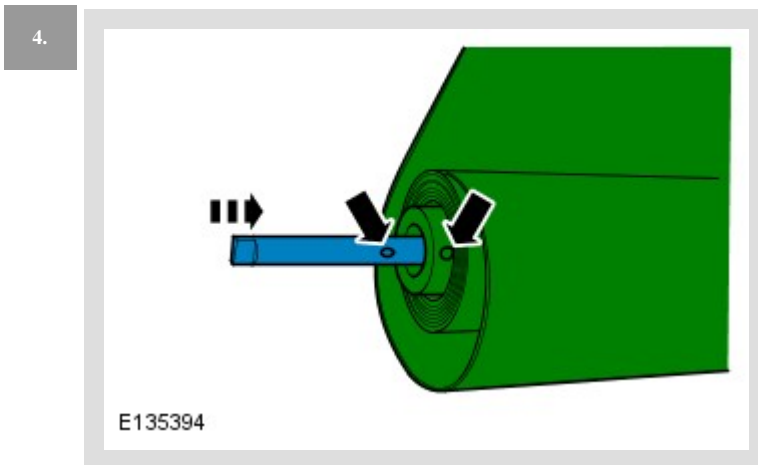
- Rotating the shaft clockwise will result in permanent damage to the tension spring.
- Make sure that the tension is retained on the shaft until the clip is installed.

 NOTE:

Make sure that any residual tension is released by gently pressing inwards on the shaft 2-3 times.

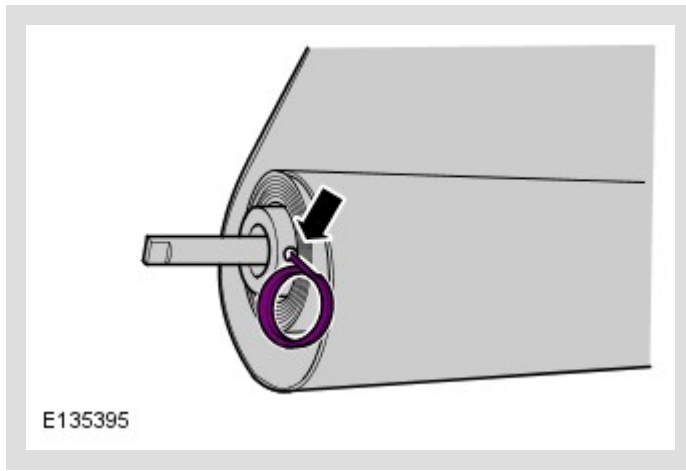


Using a suitable tool, rotate the shaft 10 full rotations counter clockwise.



Align the holes between the shaft and the blind.

5.



Install the retaining clip.

6. Refer to: [Roof Opening Panel Blind](#) (501-17 Roof Opening Panel, Removal and Installation).