

2011.75 XJ RANGE (X351), 501-17

## ROOF OPENING PANEL

# ROOF OPENING PANEL BLIND FEET (G1479090)

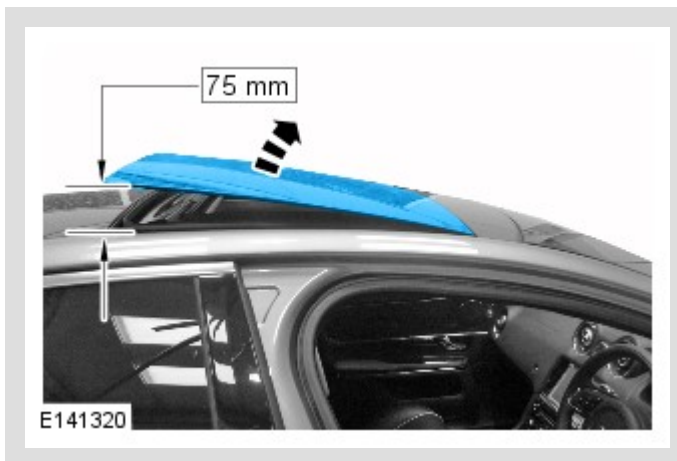
### REMOVAL AND INSTALLATION

#### REMOVAL

#### NOTES:

- Removal steps in this procedure may contain installation details.
- Some variation in the illustrations may occur, but the essential information is always correct.

1.

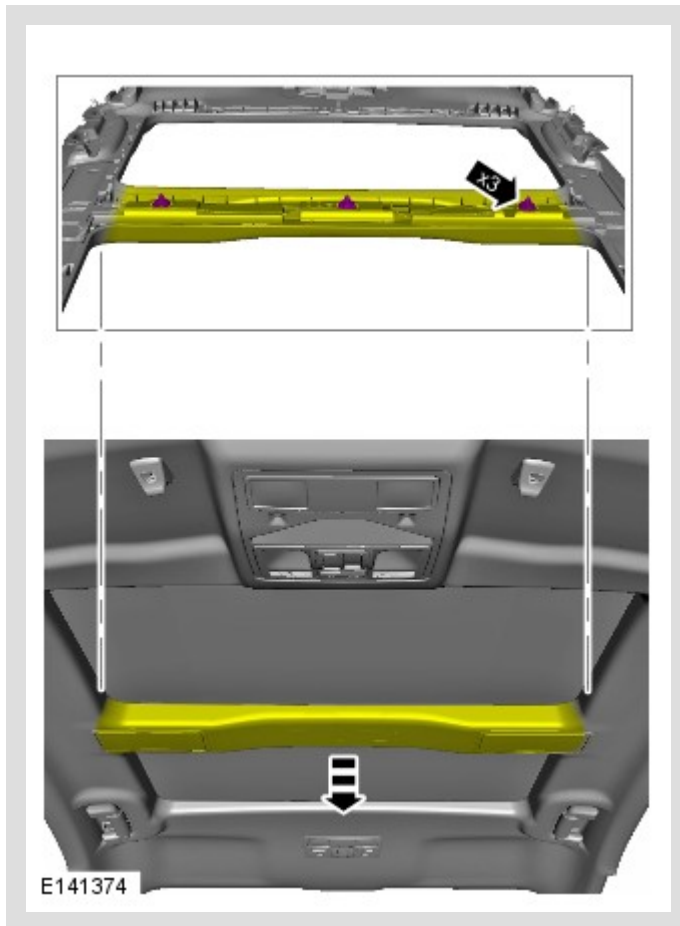


Open the roof opening panel glass to the full tilt position.

2.

⚠ CAUTION:

Carefully release the 3 clips on the headliner. Do not use excessive force



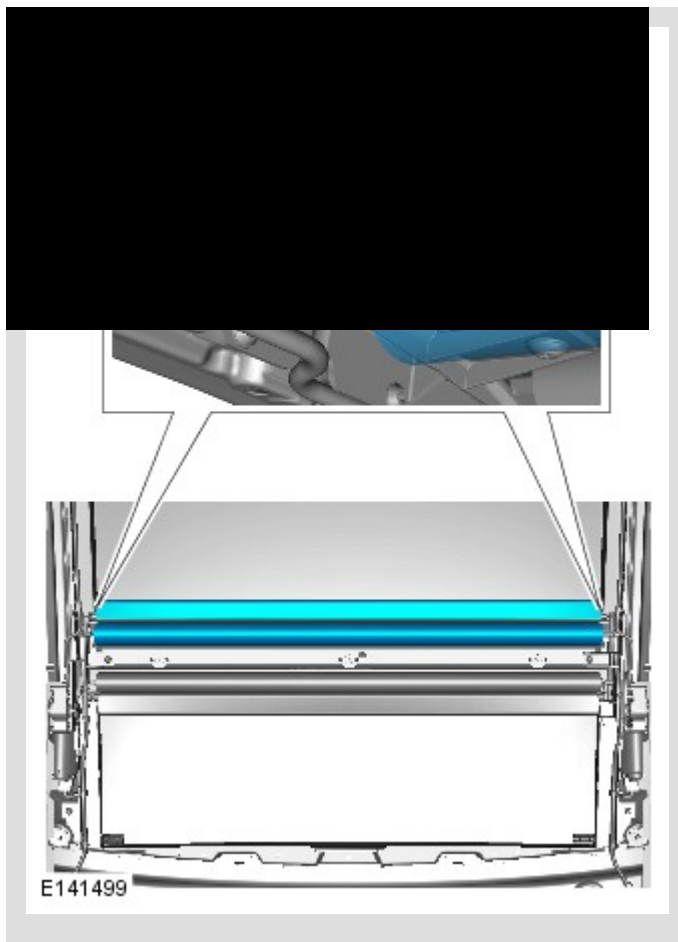
3.

⚠ CAUTION:

Make sure that the clips are correctly located.

 **NOTES:**

- Follow the animation to make sure the roof opening panel blind is removed and installed correctly from and to the guides.
- Carefully allow the roof opening panel blind to retract in to the aperture above the headliner.



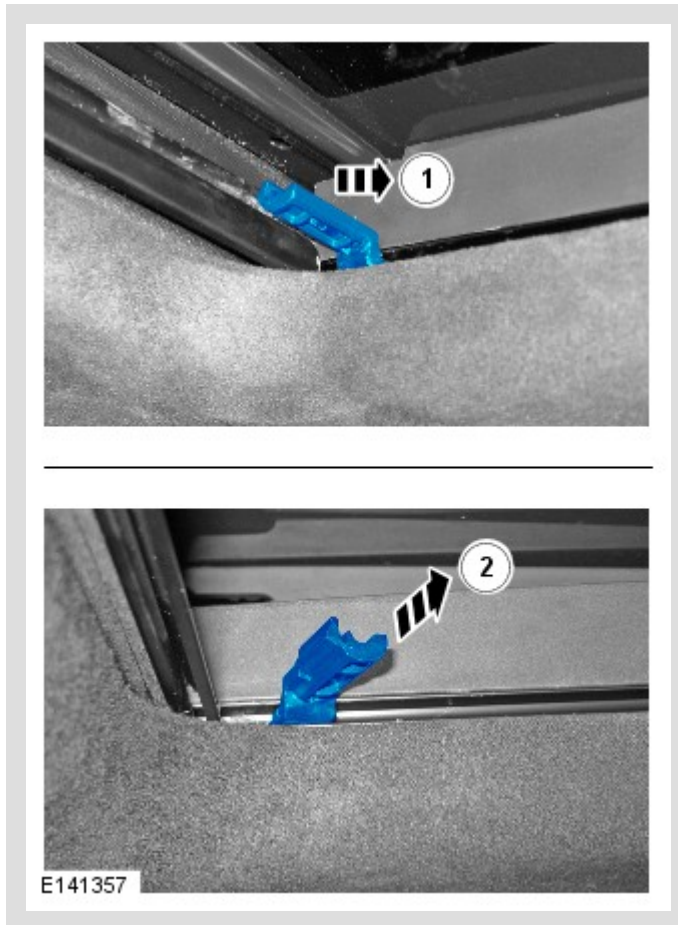
4.

 **CAUTION:**

Note the orientation of the component prior to removal.

 **NOTE:**

The procedure must be carried out on both sides.

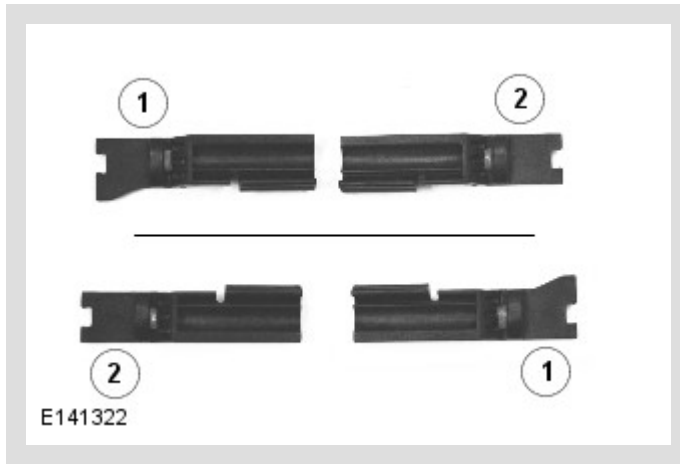


## INSTALLATION

1.

 **CAUTION:**

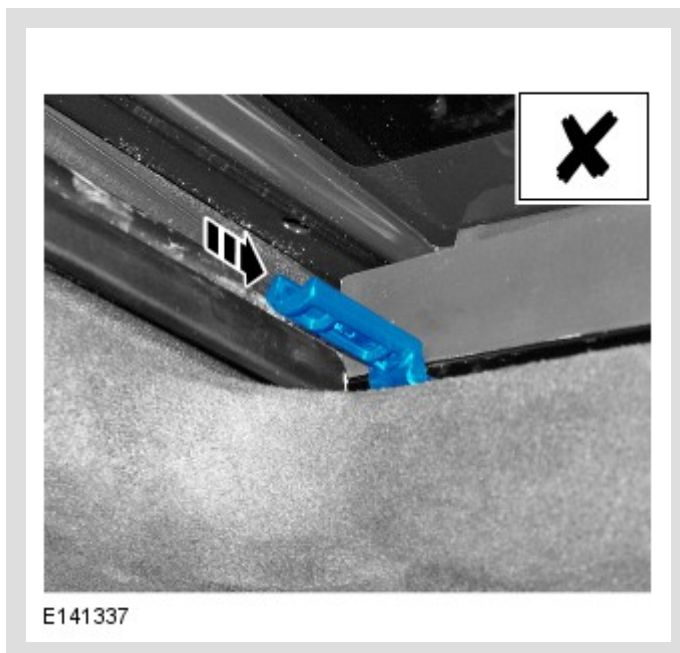
The roof opening panel blind feet are handed. Make sure that the feet labelled 1 are installed to the left hand side of the roof opening panel blind and to the right hand side of the glass roof panel blind. Make sure that the feet labelled 2 are installed to the right hand side of the roof opening panel blind and to the left hand side of the glass roof panel blind.



2.

**⚠ CAUTION:**

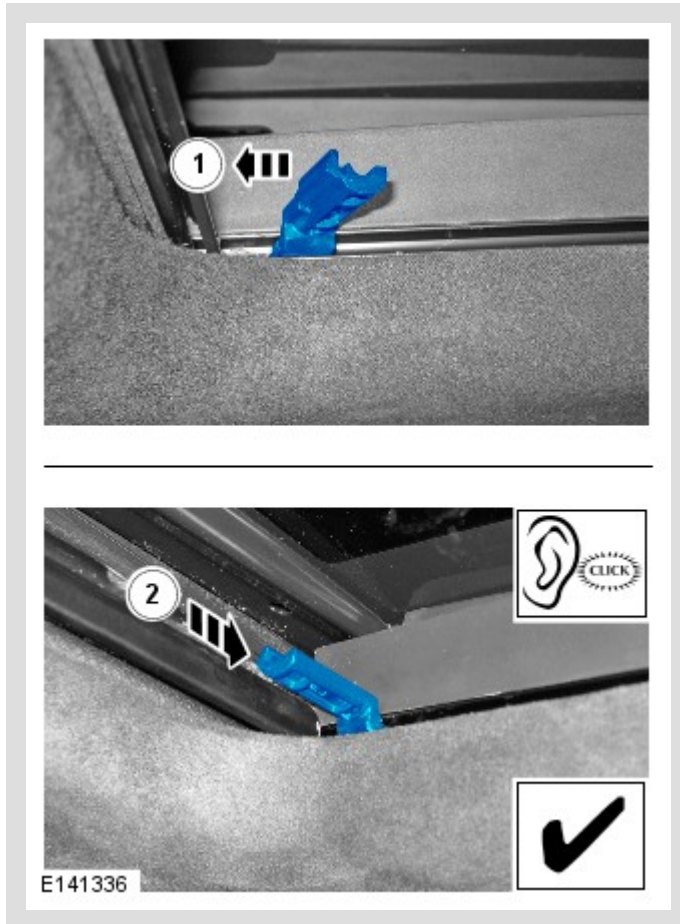
Do not directly force the blind feet in to the fitted position. Failure to follow this instruction may result in damage to the component.



3.

 **NOTES:**

- An audible click can be heard when the component is correctly located.
- The procedure must be carried out on both sides.



1. Hold the blind foot at an angle and slide it along the rail until contact is made with the drive mechanism.
1. Rotate the blind foot in to the fitted position.

4.

 **CAUTION:**

Make sure that the clips are correctly located.

△ NOTE:

Follow the animation to make sure the roof opening panel blind is removed and installed correctly from and to the guides.

