

2011.75 XJ RANGE (X351), 501-17

ROOF OPENING PANEL

ROOF OPENING PANEL BLIND DRIVE ASSEMBLY (G1479089)

REMOVAL AND INSTALLATION

REMOVAL

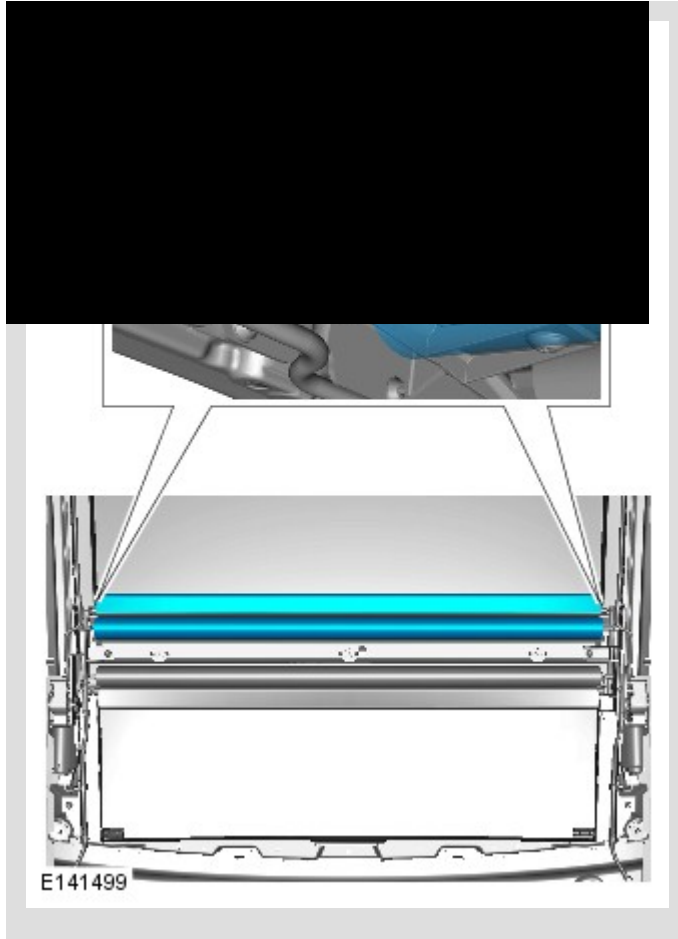
1. Refer to: [Roof Opening Panel Blind](#) (501-17 Roof Opening Panel, Removal and Installation).

2.  **CAUTION:**

Make sure that the clips are correctly located.

NOTES:

- Follow the animation to make sure the roof opening panel blind is removed and installed correctly from and to the guides.
- Roof opening panel blind shown, glass roof panel blind similar.



Release the glass roof panel blind

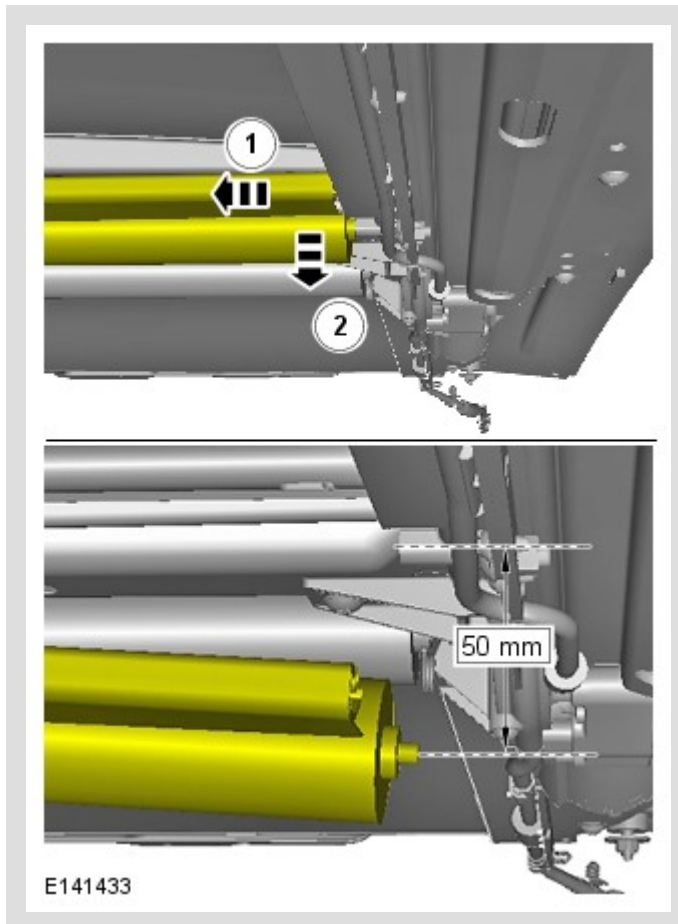
3.

⚠ CAUTIONS:

- Make sure that the roof opening panel blind is not lowered by more than 50 mm at one end whilst the other end is still located in to the drive mechanism.
- Make sure that a firm pressure is applied to the roof opening panel blind so that tension is maintained until the retaining clip is correctly located.

 **NOTE:**

Roof opening panel blind shown, glass roof panel blind similar.



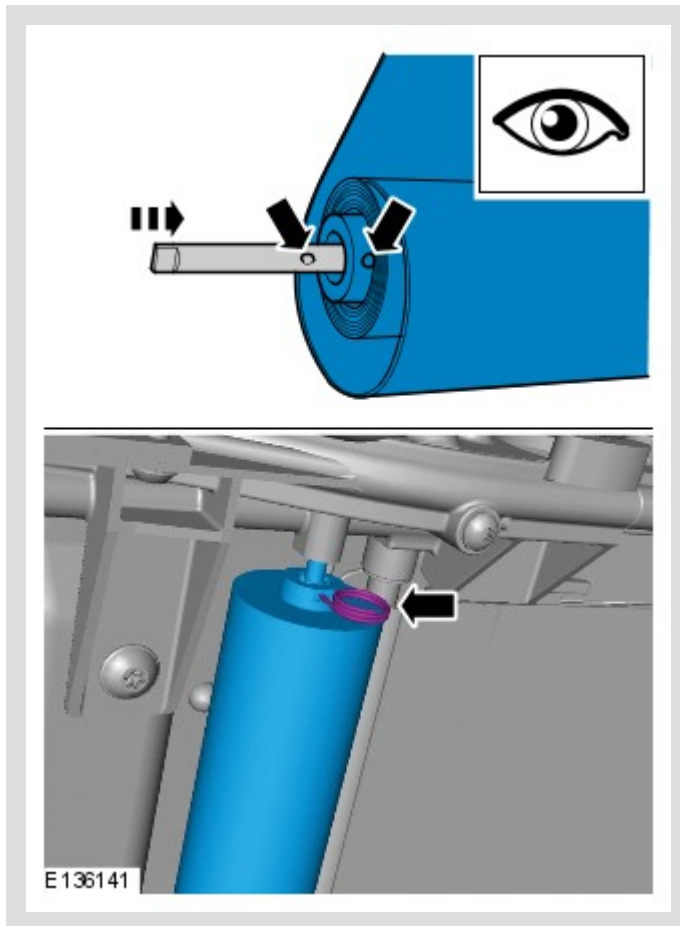
4.

 **CAUTIONS:**

- Make sure that the clip is correctly located.
- If the correct clip is not available, make sure that a suitable hardened pin is used such as a drill bit, do not use a paperclip.
- Make sure that the roof opening panel blind is not released from the drive mechanism until the clip has been correctly located.

 **NOTE:**

Roof opening panel blind shown, glass roof panel blind similar.



Install the retaining clip.

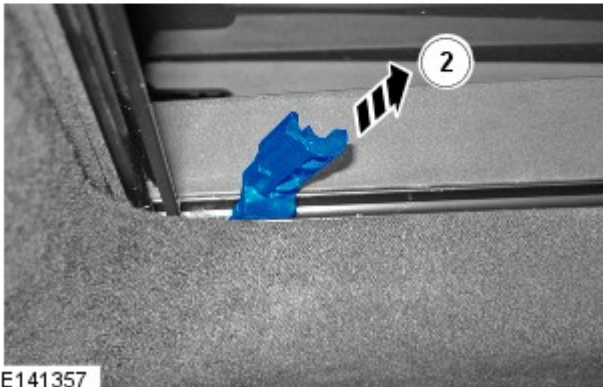
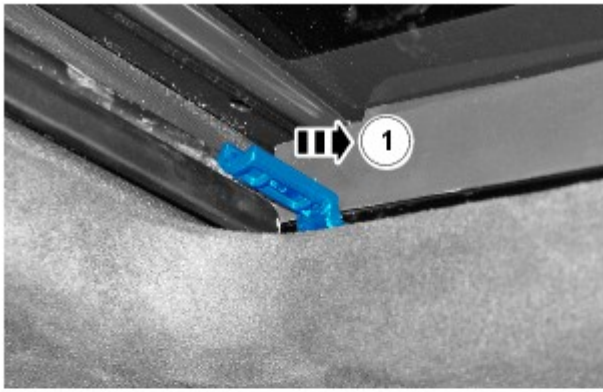
5.

 **CAUTION:**

Note the installed position of the component prior to removal.

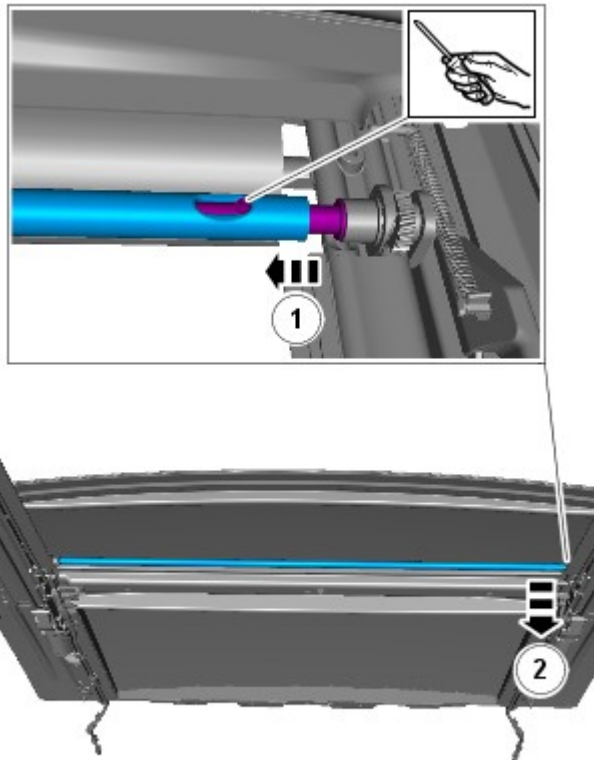
 **NOTE:**

The procedure must be carried out on the front and rear blind feet.



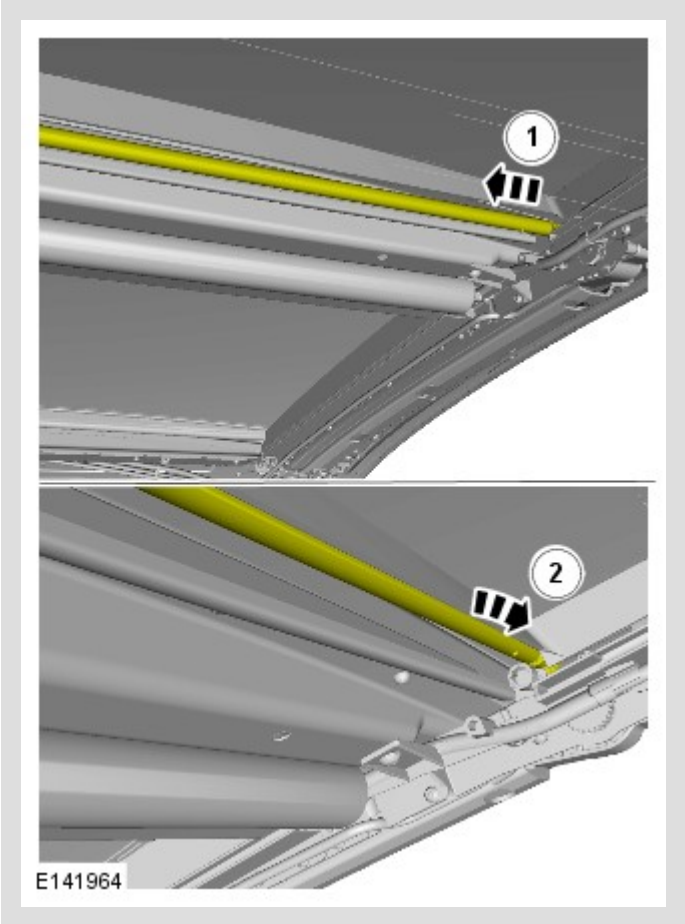
E141357

6.

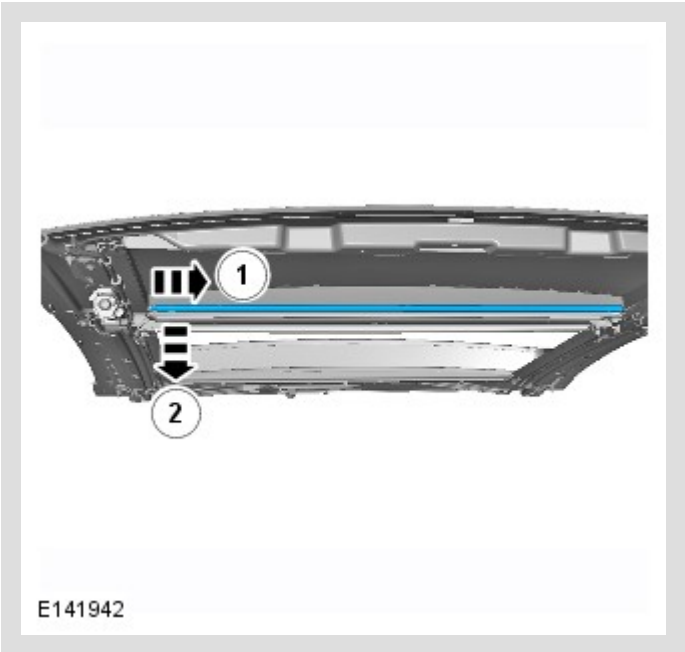


E141938

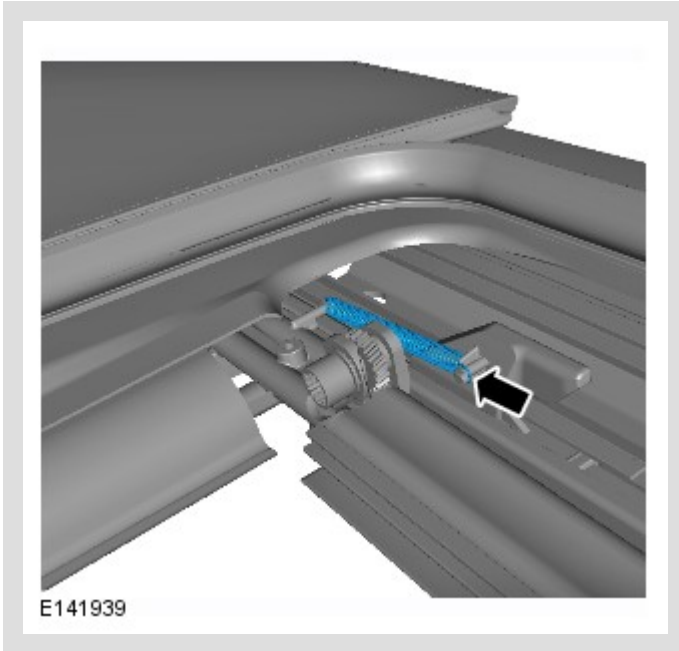
7.



8.



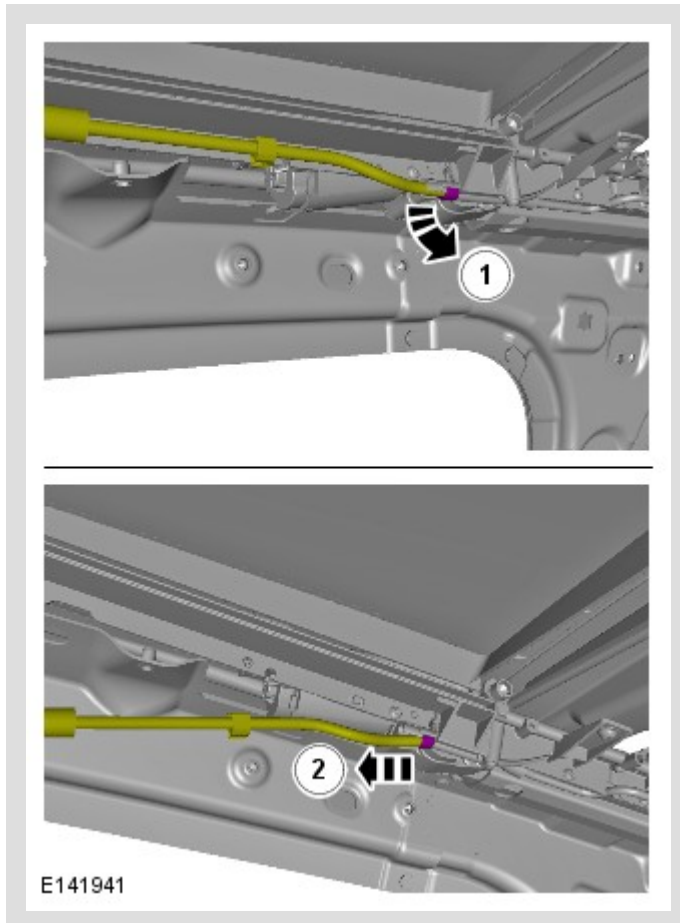
9.



10.



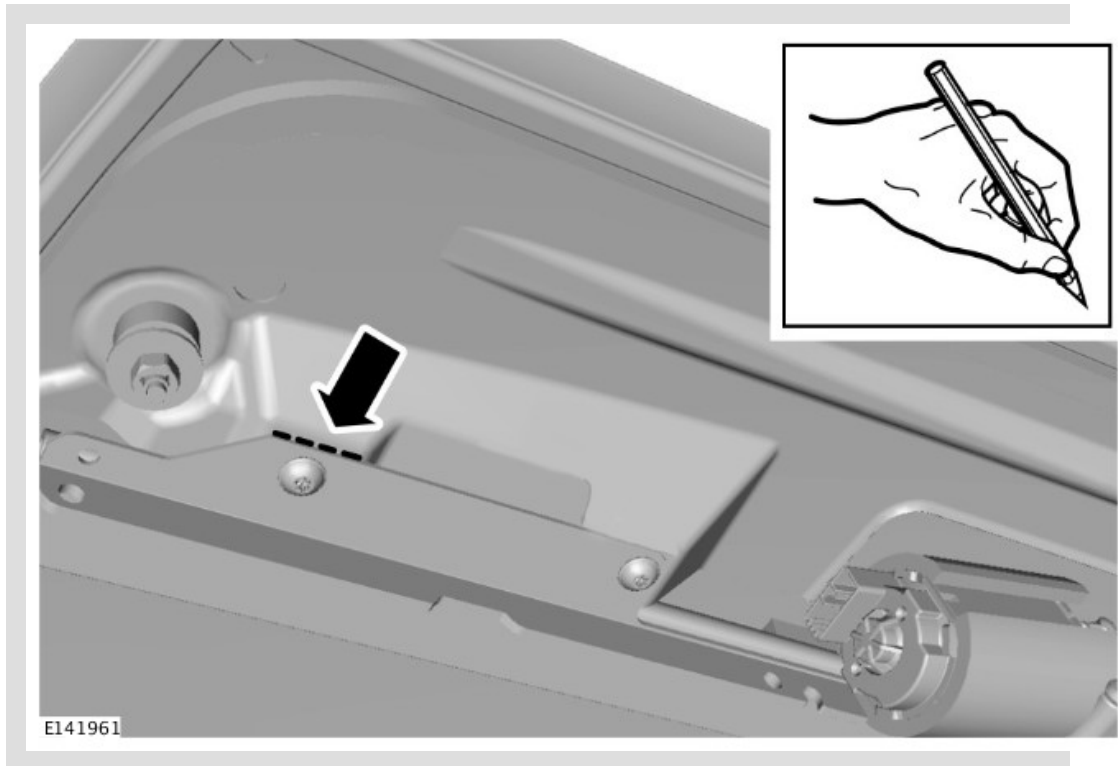
11.



12.

△ NOTES:

- Right hand shown, left hand similar.
- Long wheel base shown, short wheel base similar.



Short wheelbase

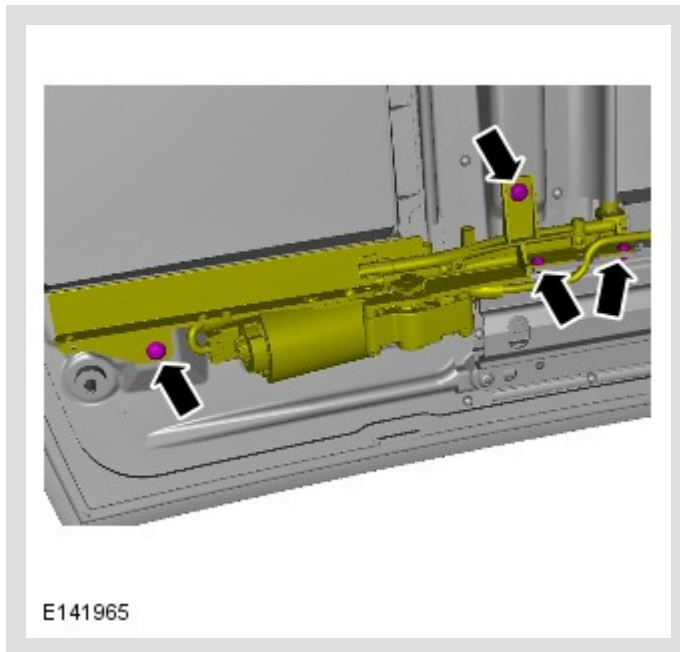
13.

⚠ CAUTION:

Note the orientation of the washers prior to removal.

△ NOTE:

Remove and discard the washers.



Long wheelbase

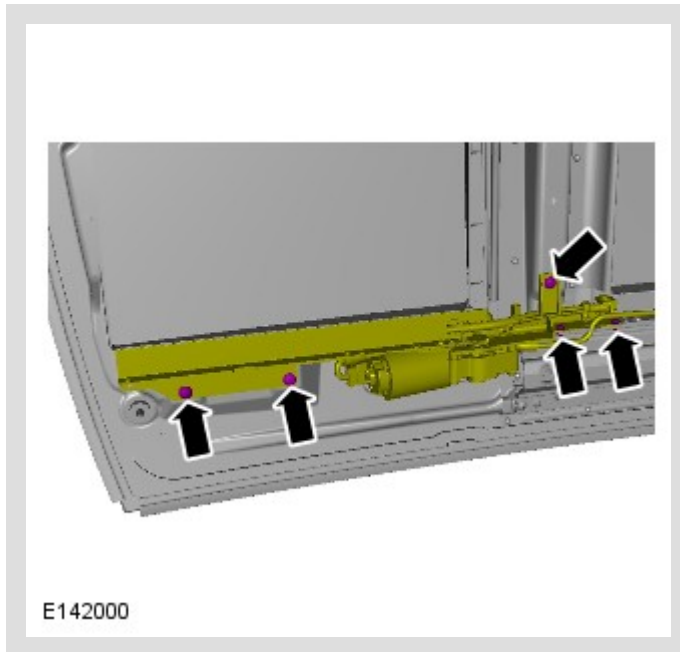
14.

⚠ CAUTION:

Note the orientation of the washers prior to removal.

△ NOTES:

- Long wheel base vehicle shown with 5 fixings, some long wheel base vehicles will have 4 fixings.
- Remove and discard the washers.



All vehicles

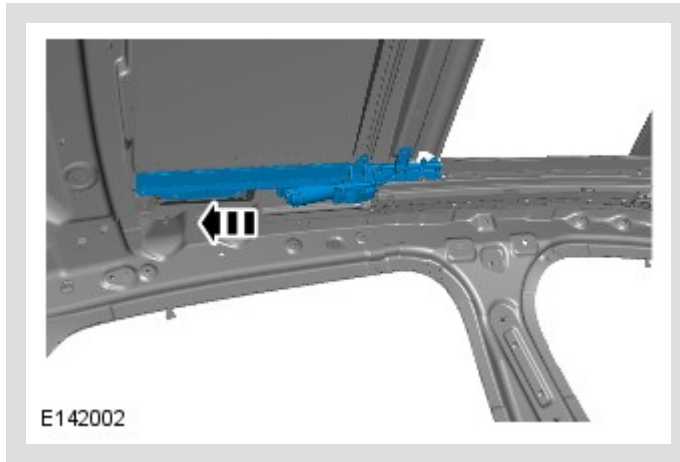
15.



16.

△ NOTE:

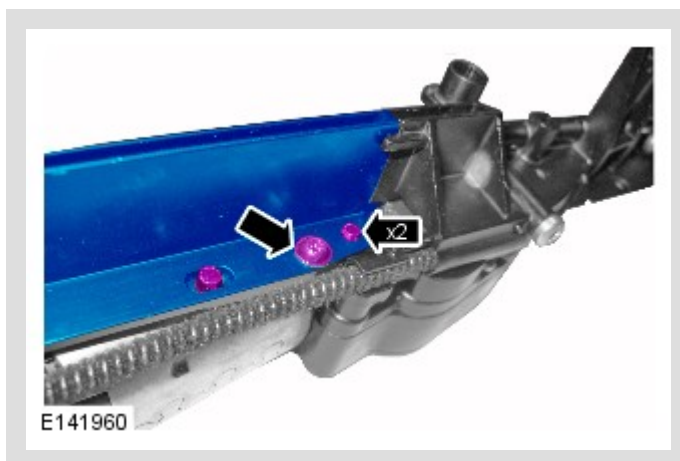
Note the installed position of the blind drive mechanism cables during removal.



17.

△ NOTE:

Note the orientation of the blind drive mechanism cables during removal.



Short wheelbase

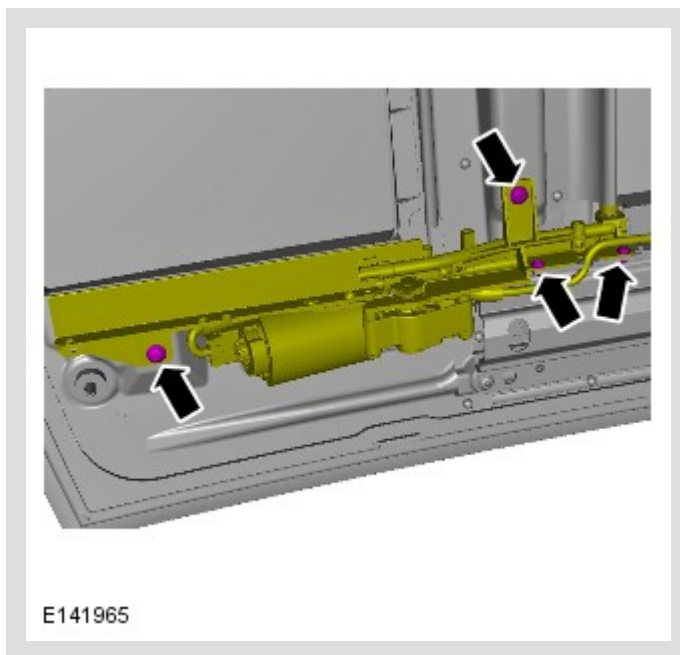
1.

⚠ CAUTION:

Note the orientation of the washers prior to removal.

△ NOTE:

Remove and discard the washers.



Long wheelbase

1.

⚠ CAUTION:

Note the orientation of the washers prior to removal.

△ NOTES:

- Long wheel base vehicle shown with 5 fixings, some long wheel base vehicles will have 4 fixings.
- Remove and discard the washers.




All vehicles

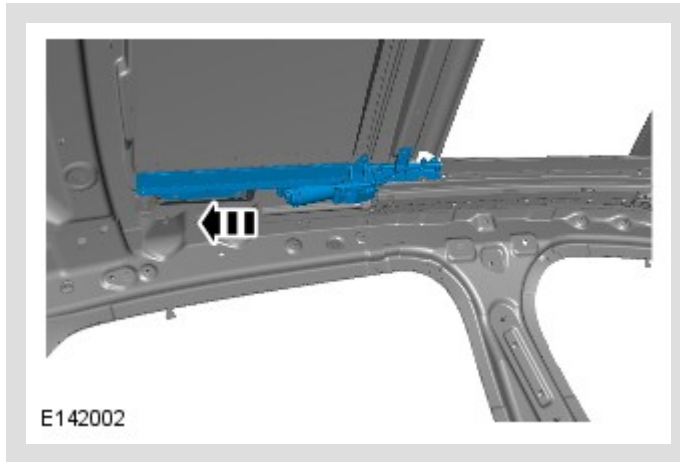
1.



2.

 NOTE:

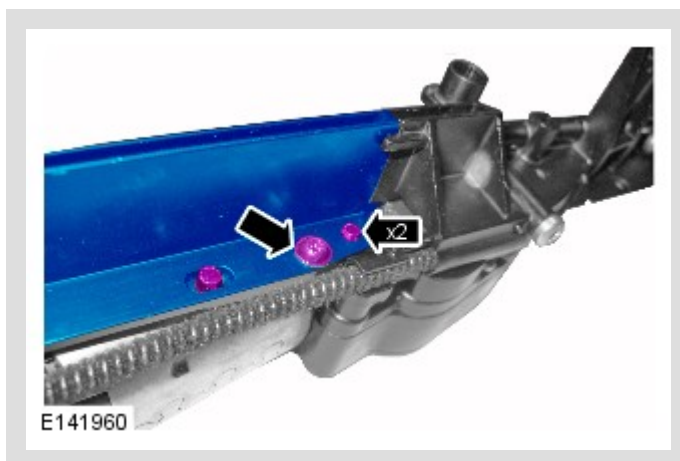
Note the installed position of the blind drive mechanism cables during removal.



3.

 NOTE:

Note the orientation of the blind drive mechanism cables during removal.

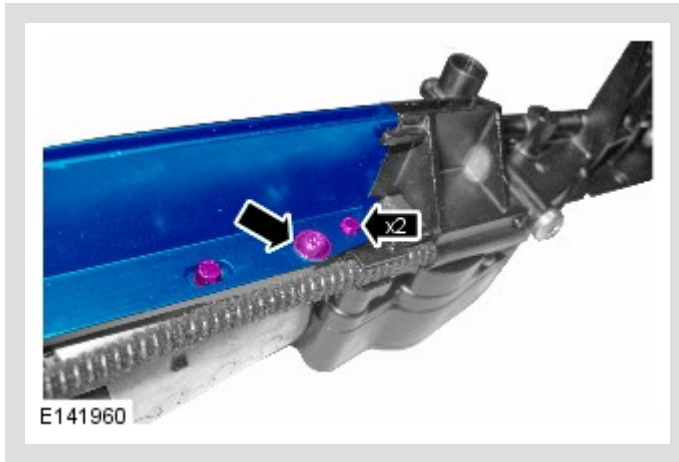


INSTALLATION

1.

△ NOTE:

Make sure that the blind drive mechanism cables are in the correct orientation before installing the rear guide.

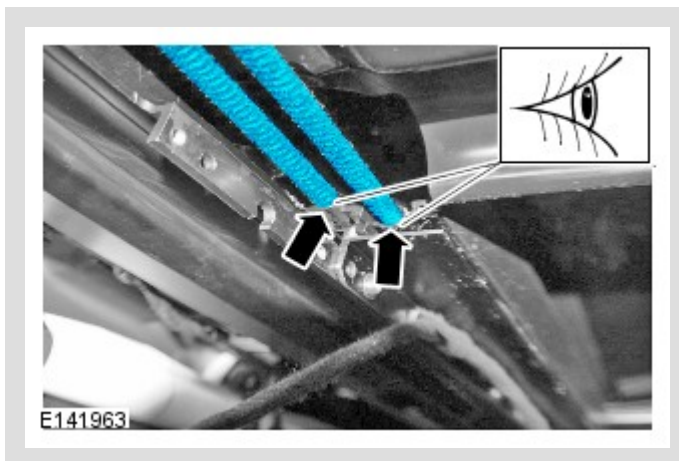


Torque: 4 Nm


2.

△ NOTE:

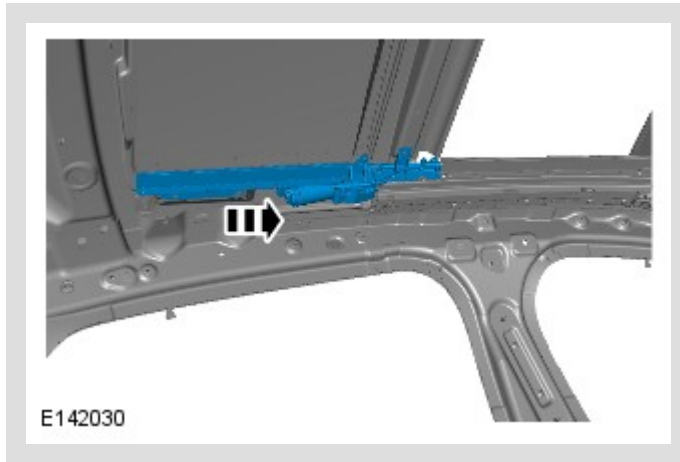
Make sure that the blind drive mechanism cables are in the correct orientation before installing the rear guide.



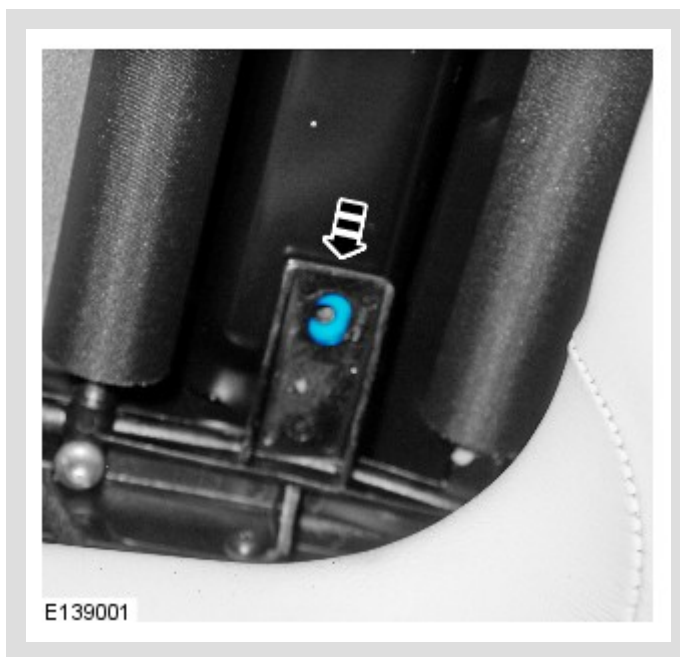
3.

 NOTE:

Make sure that the blind drive mechanism cables are correctly aligned to the installed position.



4.

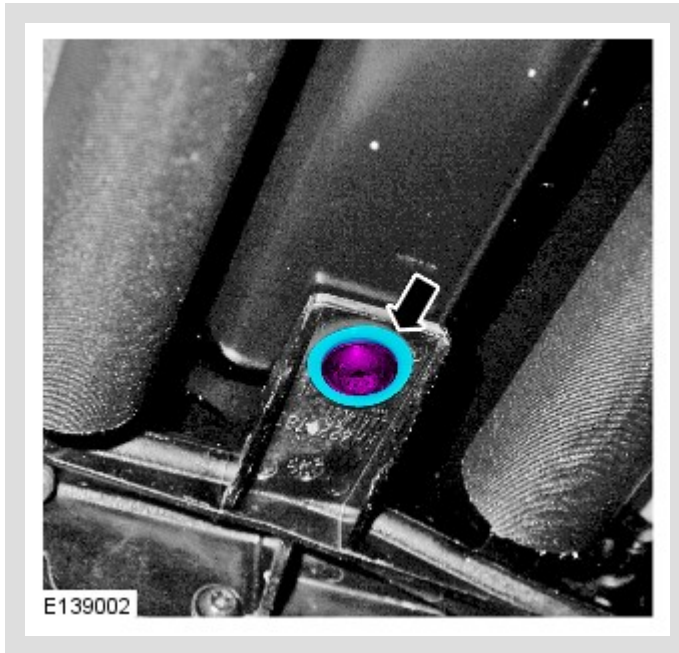


Slide the washer in from the centre of the vehicle until it is aligned with the threaded hole.

5.

⚠ CAUTIONS:

- Make sure that the thread is free from foreign material and debris
- Do not fully tighten the Torx bolt at this stage.

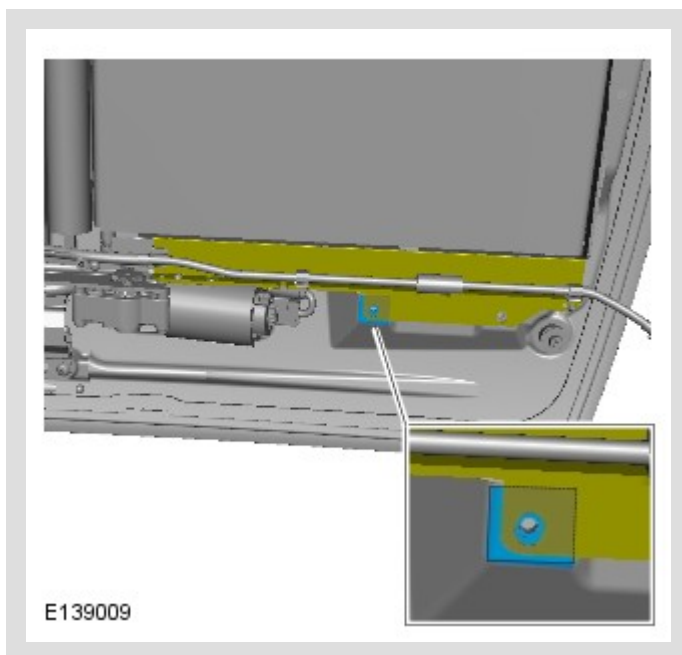


Long wheelbase

6.

⚠ NOTE:

Make sure that an adhesive pad is installed above the front fixing hole.



If not already installed, install an adhesive pad above the front fixing hole.

All vehicles

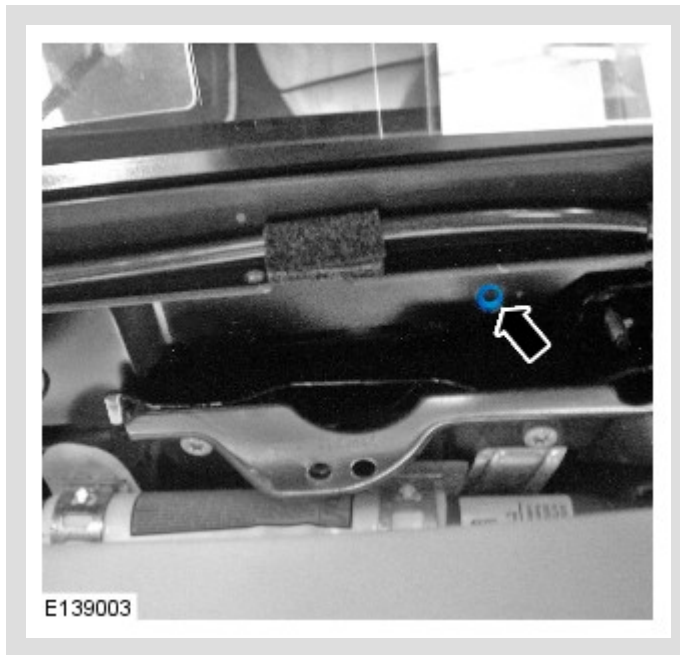
7.

⚠ CAUTION:

Do not install the front Torx bolt on long wheel base vehicles.

△ NOTE:

Long wheel base shown, short wheel base similar.



Slide the washer in from the centre of the vehicle until it is aligned with the threaded hole.

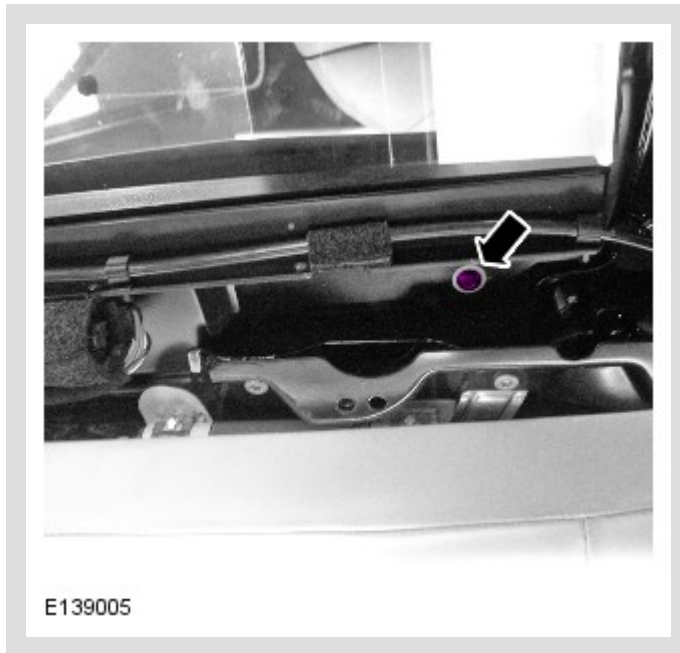
8.

⚠ CAUTIONS:

- Make sure that the thread is free from foreign material and debris
- Do not fully tighten the Torx bolt at this stage.

⚠ NOTE:

Long wheel base shown, short wheel base similar.



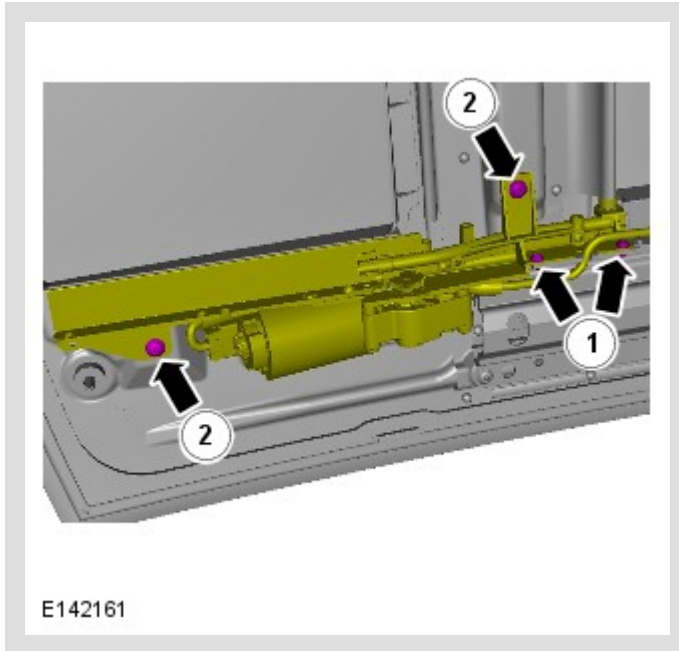
9.

⚠ CAUTION:

Make sure that the roof rail is correctly aligned.

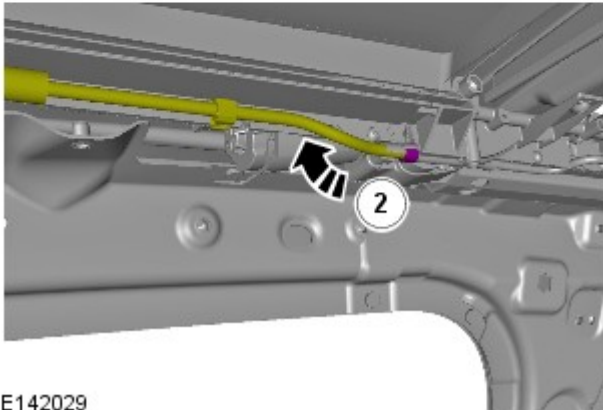
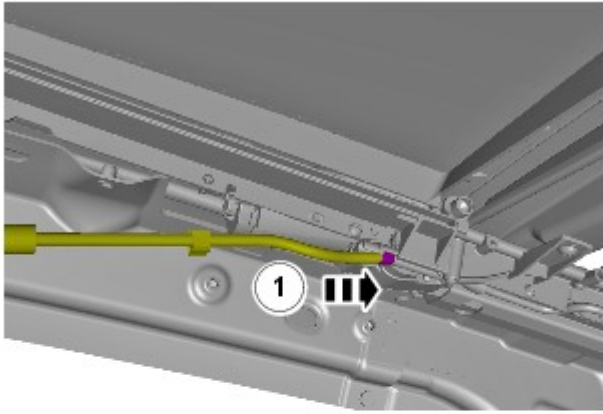
△ NOTE:

Short wheel base shown, long wheel base similar.



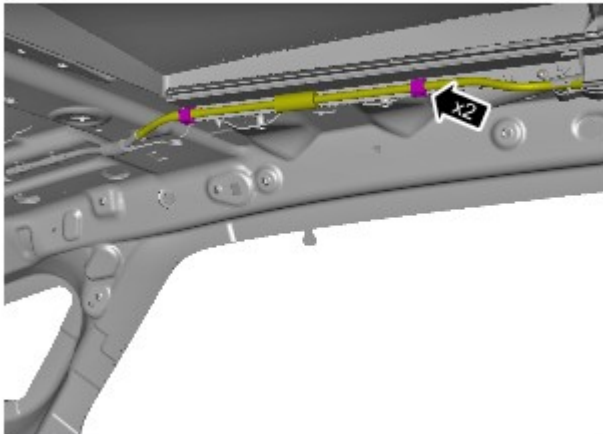
Torque: 4 Nm

10.



E142029

11.

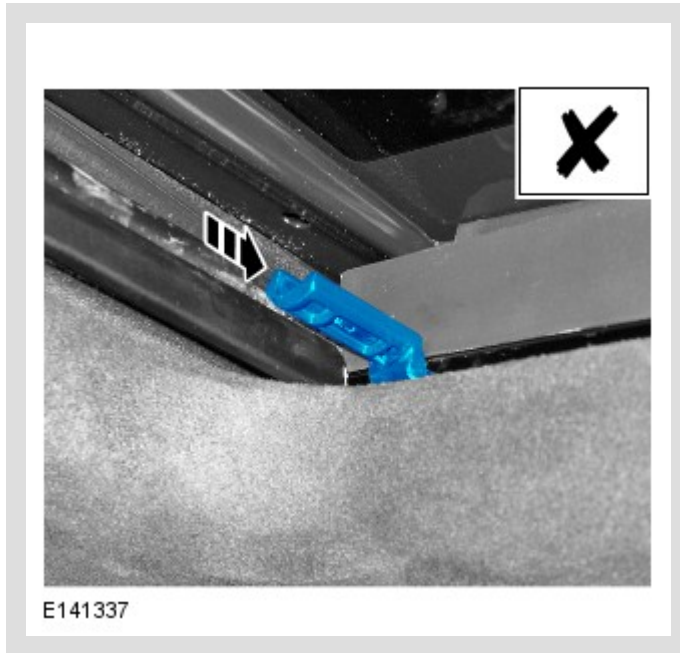


E141944

12.

⚠ **CAUTION:**

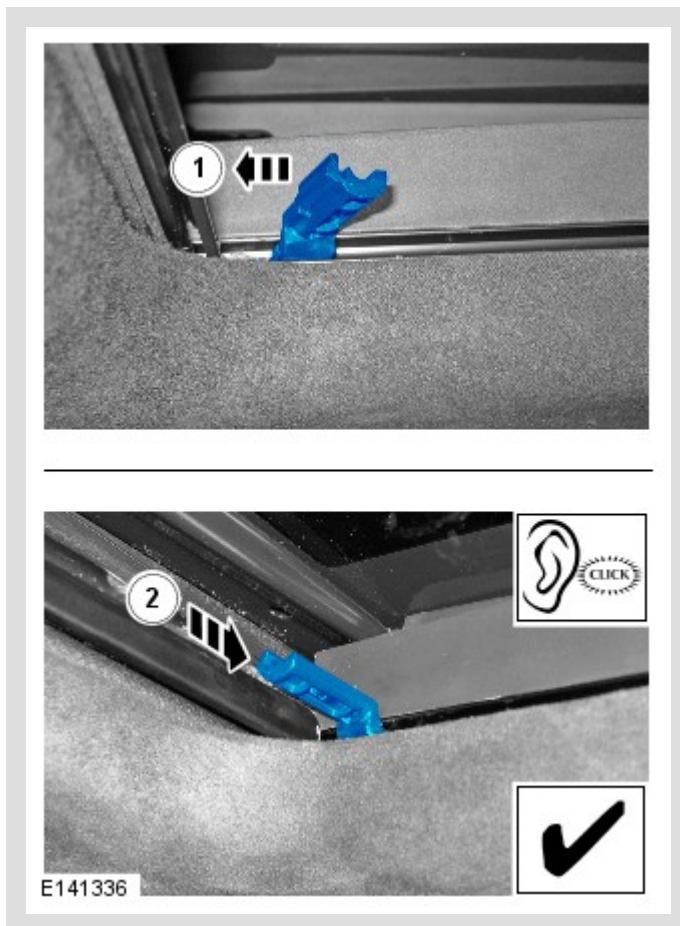
Do not directly force the blind feet in to the installed position. Failure to follow this instruction may result in damage to the component.



13.

△ **NOTES:**

- An audible click can be heard when the component is correctly located.
- The procedure must be carried out on the front and rear blind feet.




1. Hold the blind foot at an angle and slide it along the rail until contact is made with the drive mechanism.
1. Rotate the blind foot in to the installed position.

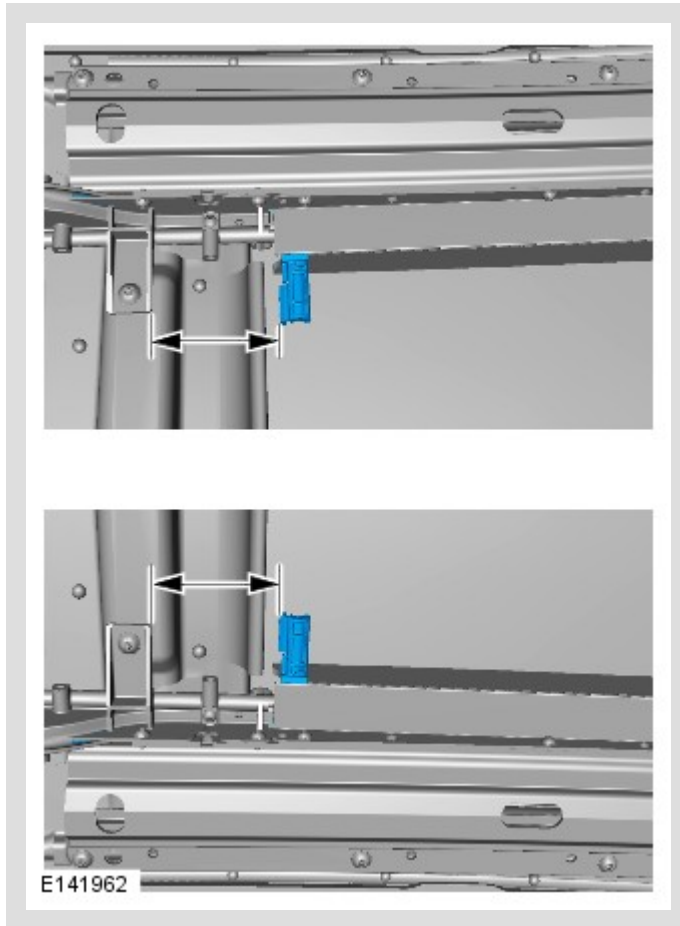
14.

⚠ CAUTION:

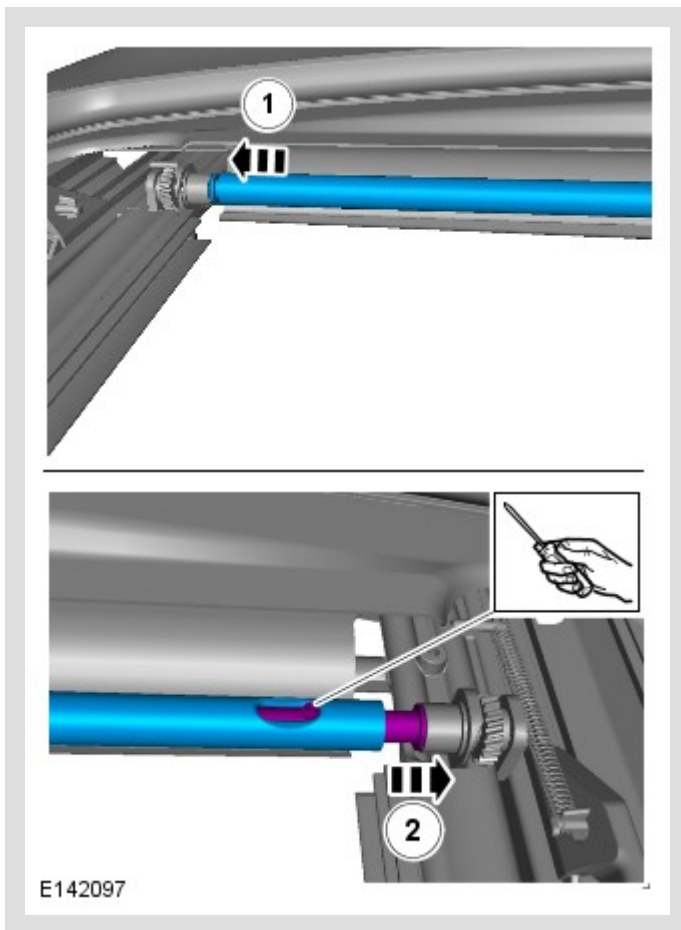
Make sure that the blind feet for each blind are positioned at an equal distance from the center of the vehicle.

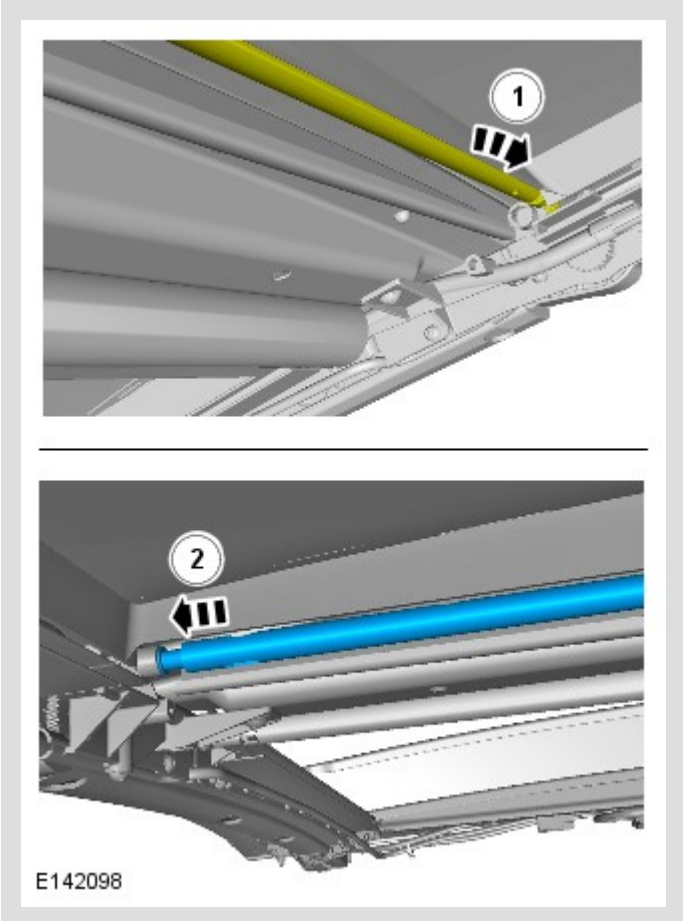
 NOTE:

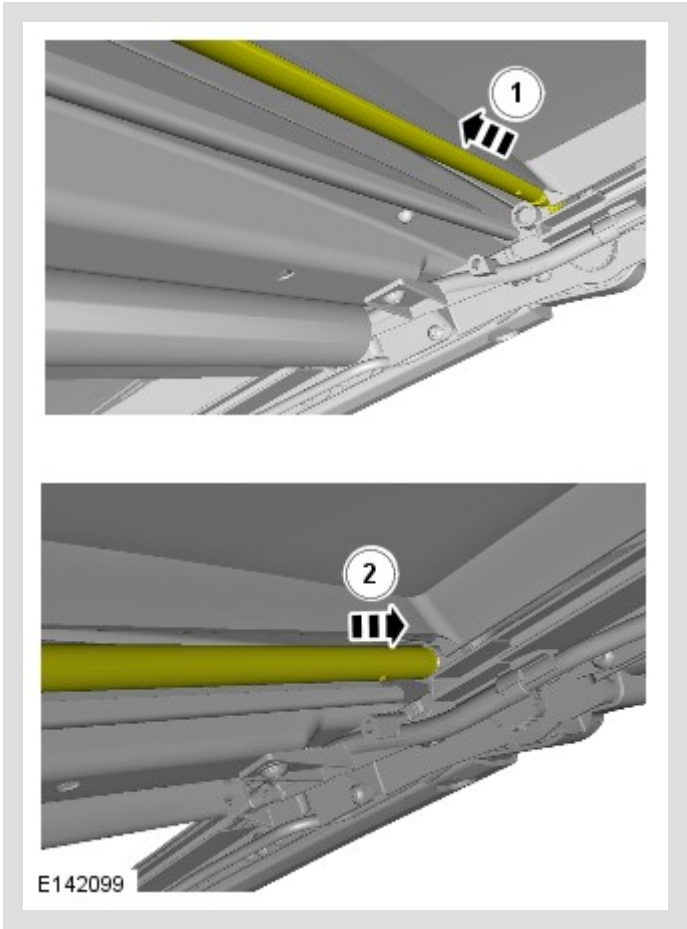
The procedure must be carried out on the front and rear blind feet.

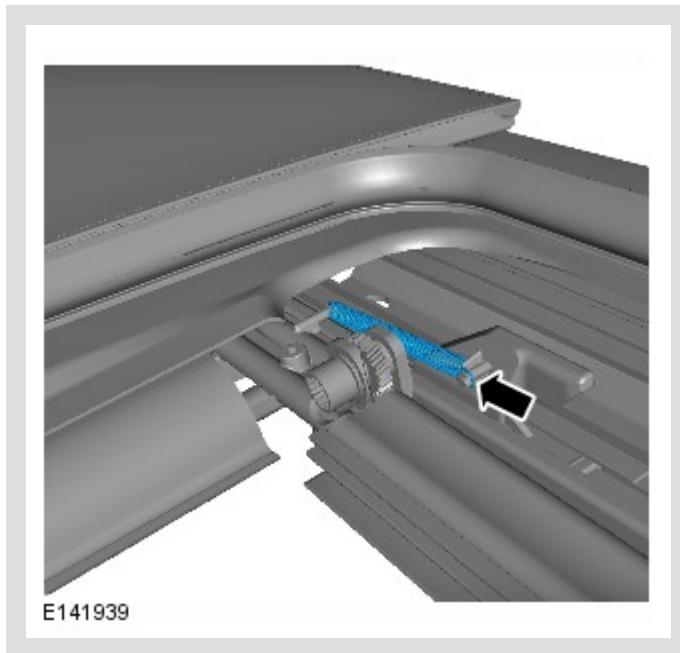


Slide the blind foot along the guide until it is level with the foot on the other side of the vehicle.









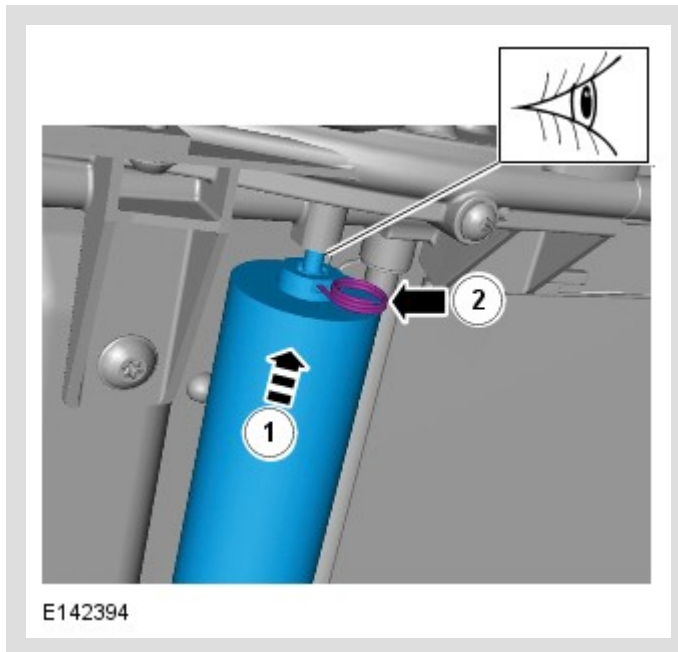
19.

⚠ CAUTIONS:

- Make sure that a firm pressure is applied to the glass roof panel blind so that tension is maintained until the glass roof opening blind is correctly located.
- Make sure that the glass roof panel blind is not lowered by more than 50 mm at one end whilst the other end is still located in to the drive mechanism.

NOTE:

Roof opening panel blind shown, glass roof panel blind similar.



Remove the retaining clip.

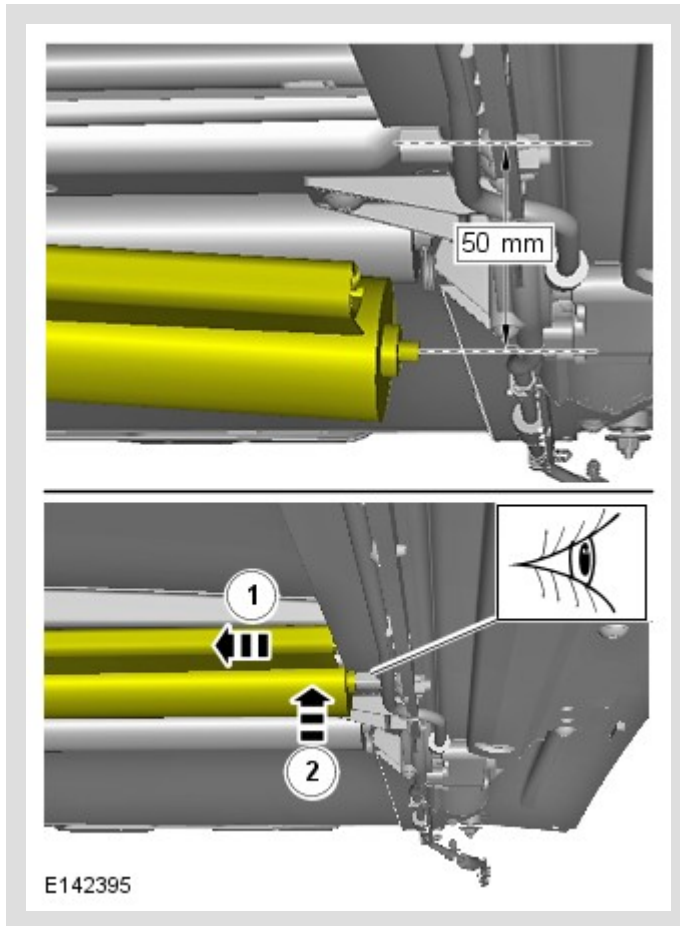
20.

CAUTIONS:

- Make sure that a firm pressure is applied to the glass roof panel blind so that tension is maintained until the glass roof opening blind is correctly located.
- Make sure that the glass roof panel blind is not lowered by more than 50 mm at one end whilst the other end is still located in to the drive mechanism.

NOTE:

Roof opening panel blind shown, glass roof panel blind similar.



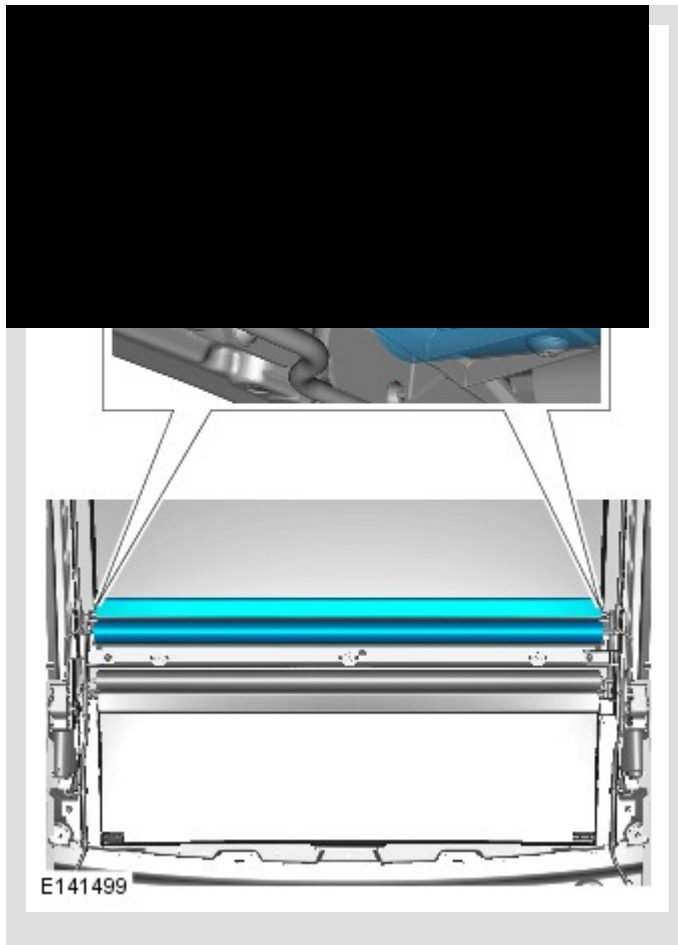
21.

⚠ CAUTION:

Make sure that the clips are correctly located.

△ NOTES:

- Follow the animation to make sure the roof opening panel blind is removed and installed correctly from and to the guides.
- Roof opening panel blind shown, glass roof panel blind similar.



Secure the glass roof panel blind

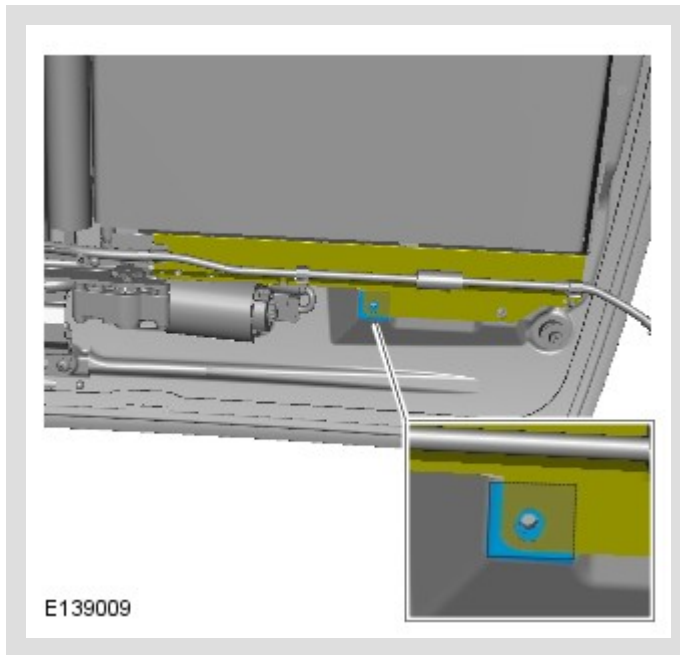
22. Refer to: [Roof Opening Panel Blind](#) (501-17 Roof Opening Panel, Removal and Installation).

Long wheelbase

1.

 **NOTE:**

Make sure that an adhesive pad is installed above the front fixing hole.



If not already installed, install an adhesive pad above the front fixing hole.

All vehicles

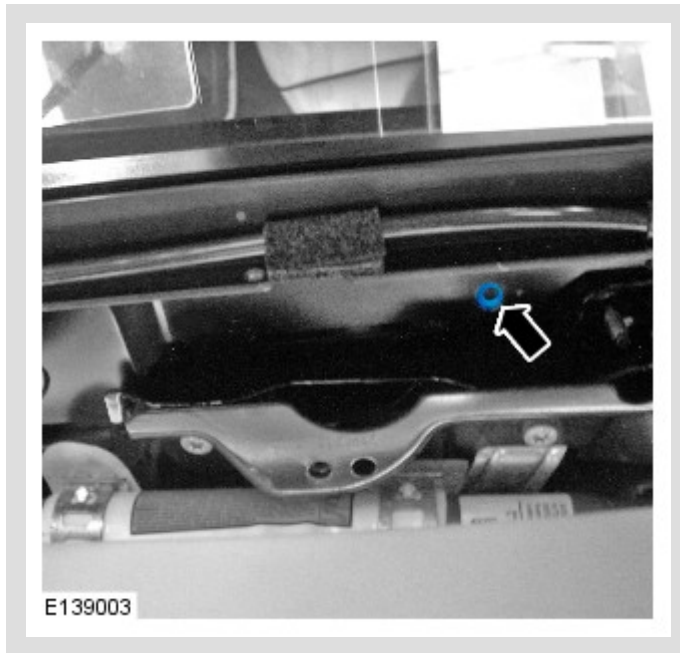
1.

⚠ CAUTION:

Do not install the front Torx bolt on long wheel base vehicles.

△ NOTE:

Long wheel base shown, short wheel base similar.



Slide the washer in from the centre of the vehicle until it is aligned with the threaded hole.

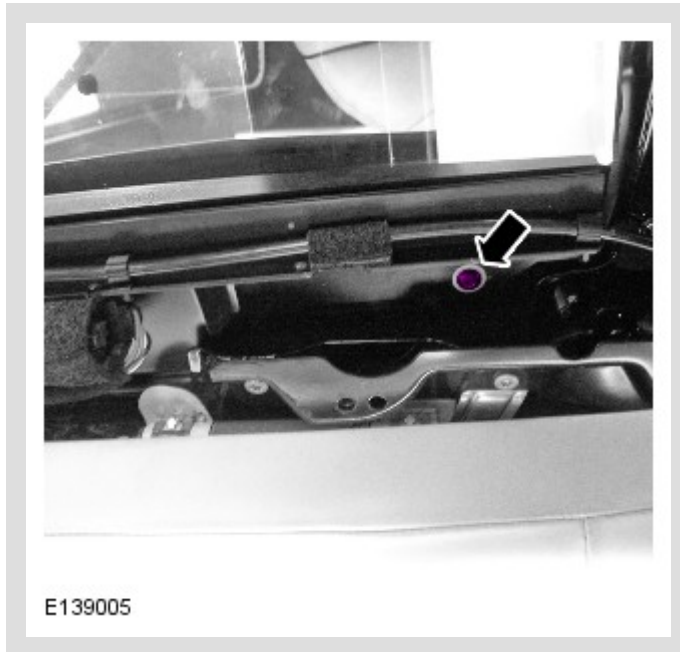
2.

⚠ CAUTIONS:

- Make sure that the thread is free from foreign material and debris
- Do not fully tighten the Torx bolt at this stage.

⚠ NOTE:

Long wheel base shown, short wheel base similar.



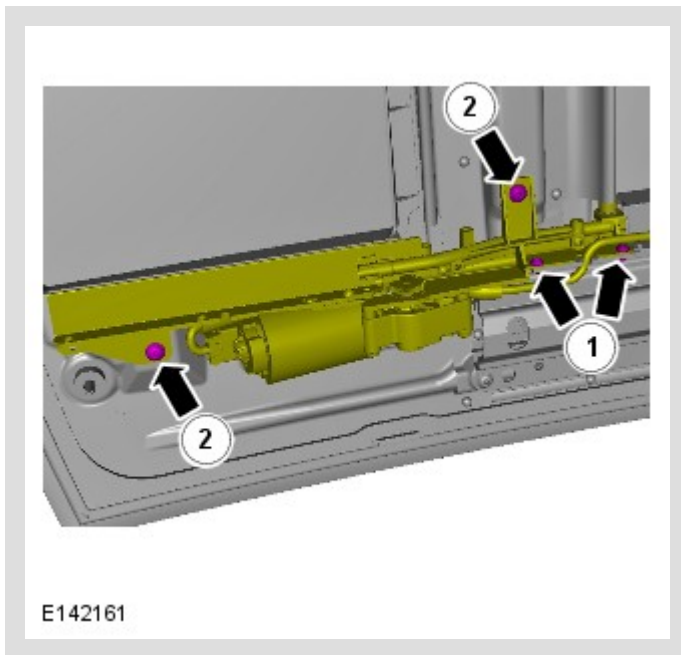
3.

⚠ CAUTION:

Make sure that the roof rail is correctly aligned.

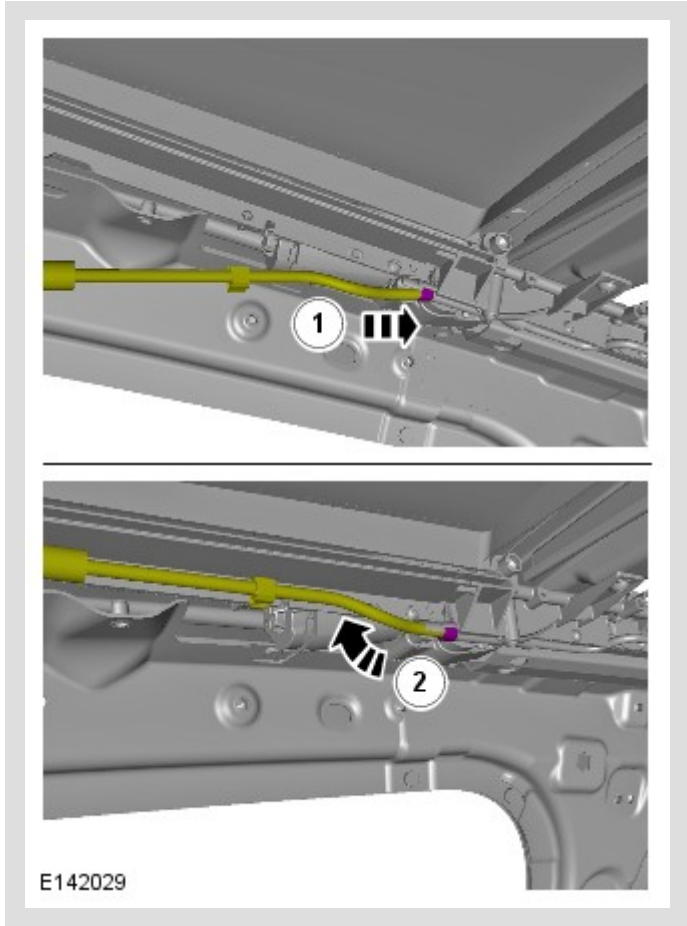
△ NOTE:

Short wheel base shown, long wheel base similar.



Torque: 4 Nm

4.

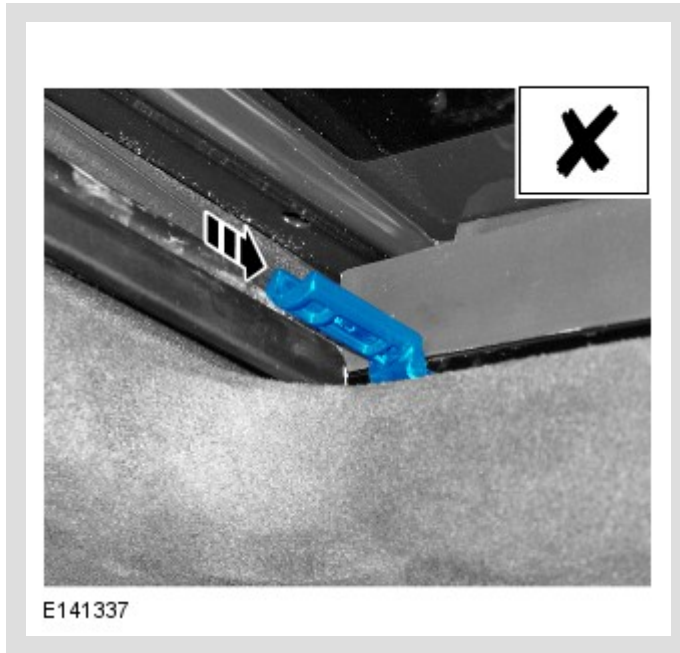




6.

⚠ CAUTION:

Do not directly force the blind feet in to the installed position. Failure to follow this instruction may result in damage to the component.

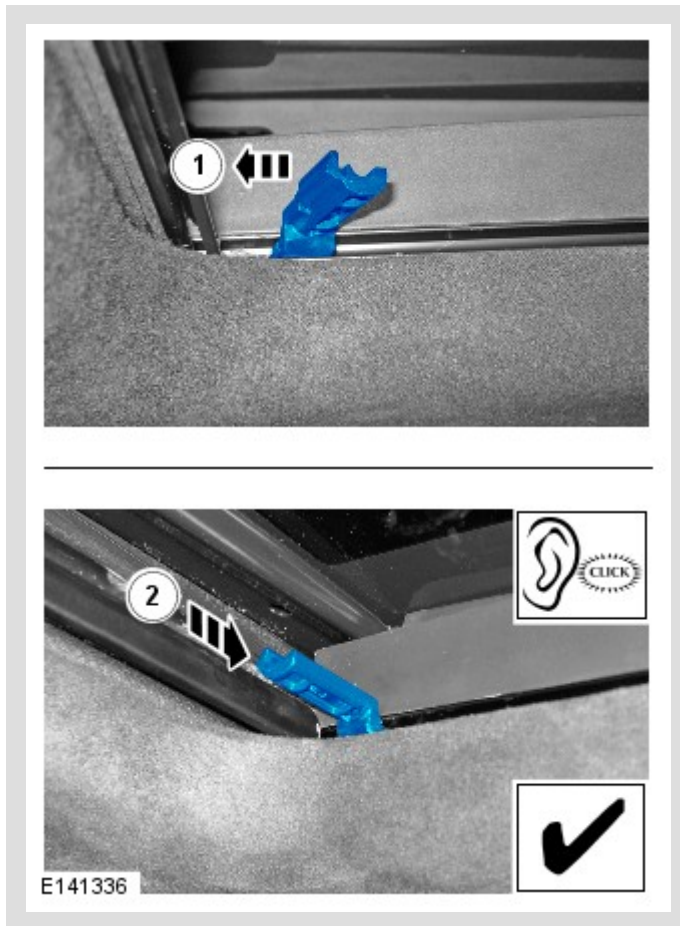


7.



NOTES:

- An audible click can be heard when the component is correctly located.
- The procedure must be carried out on the front and rear blind feet.



1. Hold the blind foot at an angle and slide it along the rail until contact is made with the drive mechanism.

1. Rotate the blind foot in to the installed position.

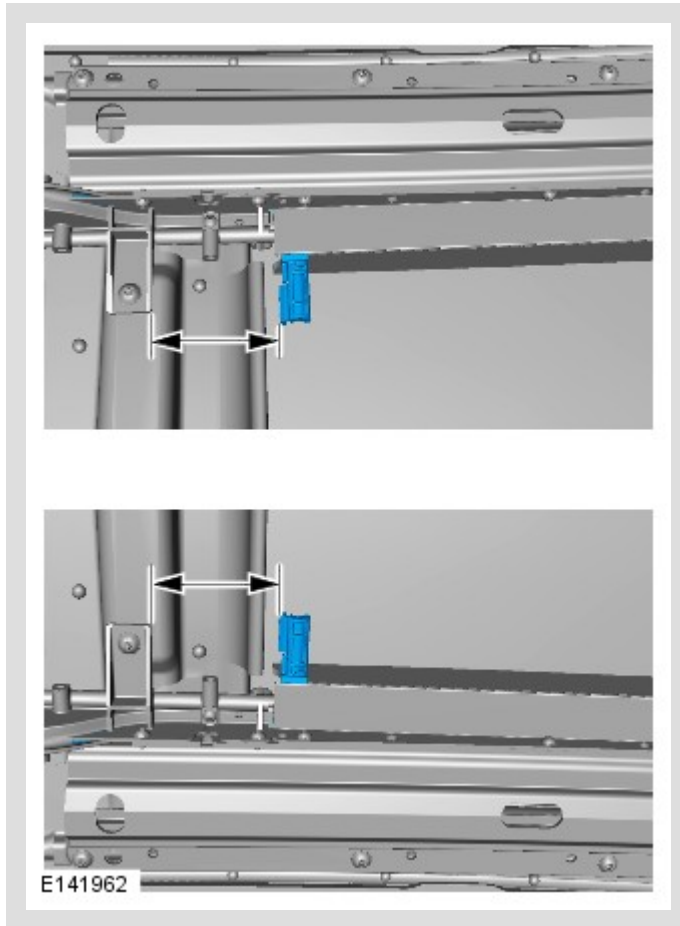
8.

⚠ CAUTION:

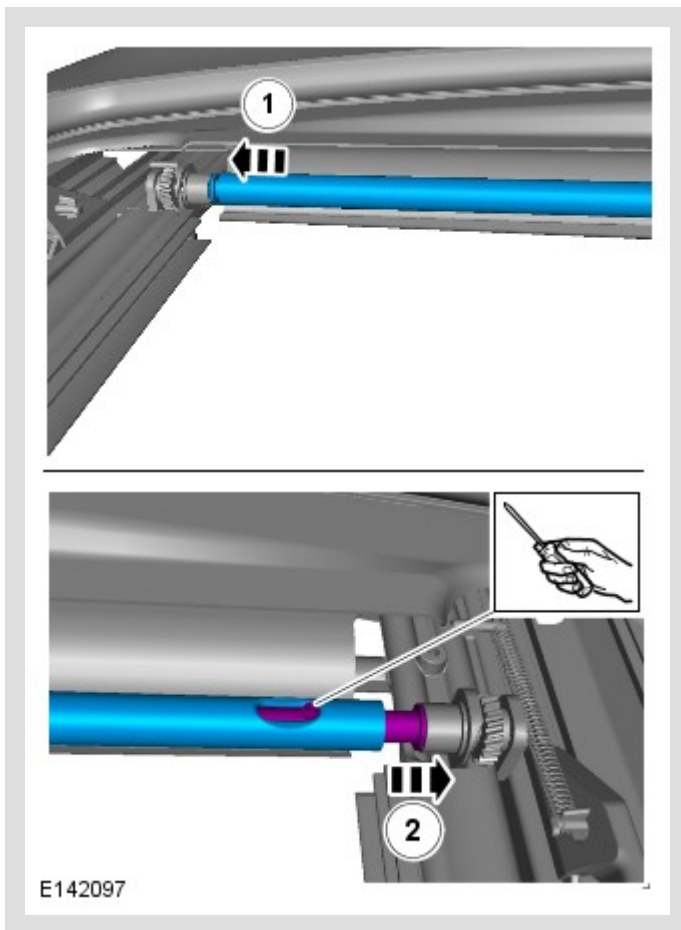
Make sure that the blind feet for each blind are positioned at an equal distance from the center of the vehicle.

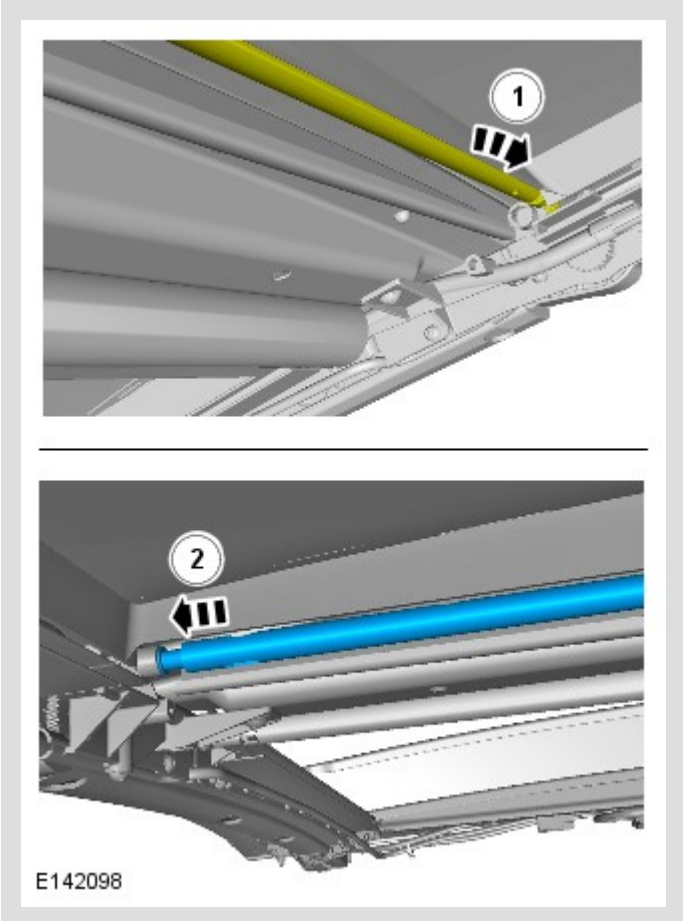
△ NOTE:

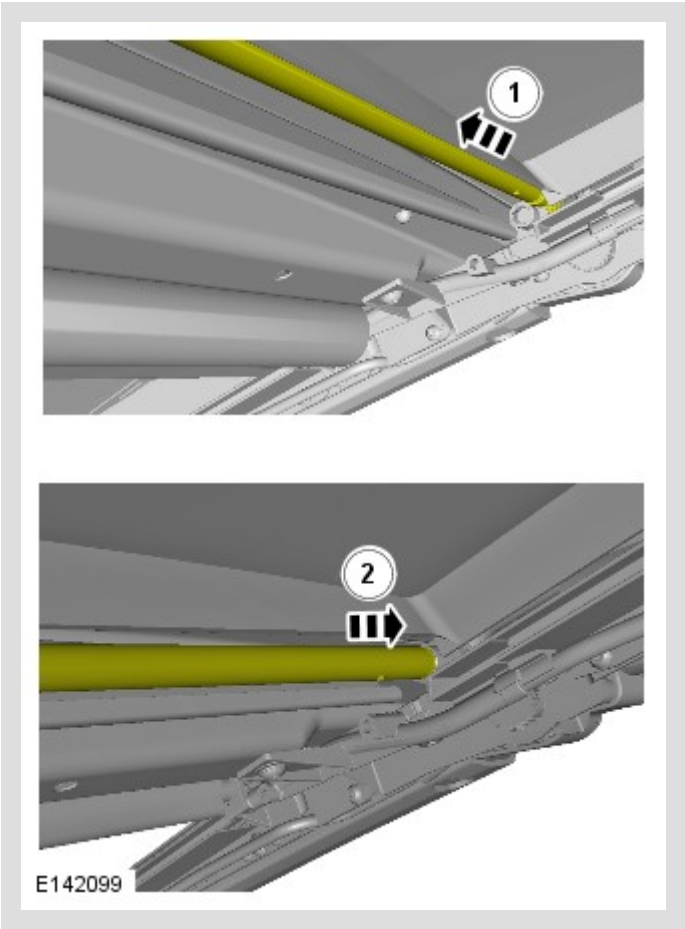
The procedure must be carried out on the front and rear blind feet.

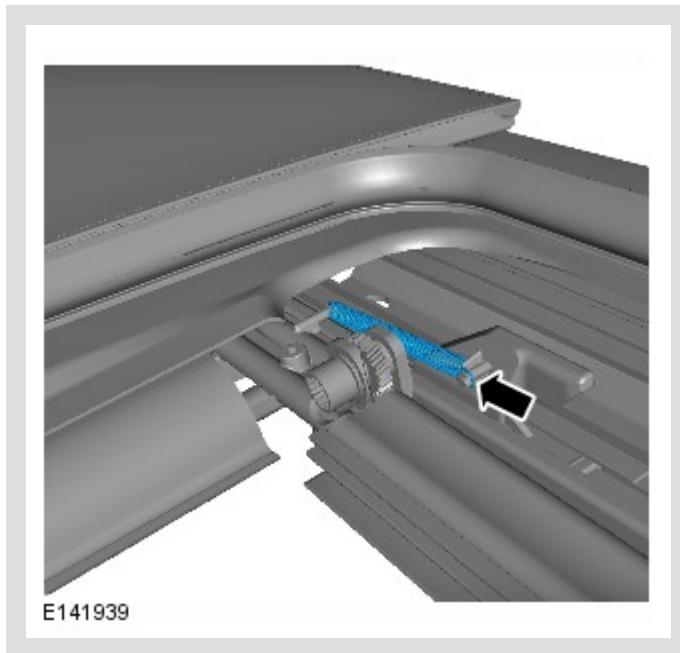


Slide the blind foot along the guide until it is level with the foot on the other side of the vehicle.









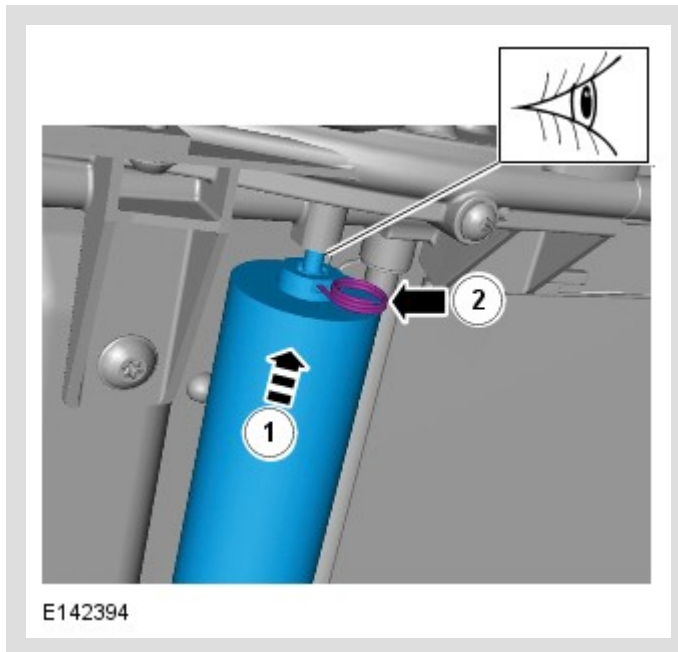
13.

⚠ CAUTIONS:

- Make sure that a firm pressure is applied to the glass roof panel blind so that tension is maintained until the glass roof opening blind is correctly located.
- Make sure that the glass roof panel blind is not lowered by more than 50 mm at one end whilst the other end is still located in to the drive mechanism.

NOTE:

Roof opening panel blind shown, glass roof panel blind similar.



Remove the retaining clip.

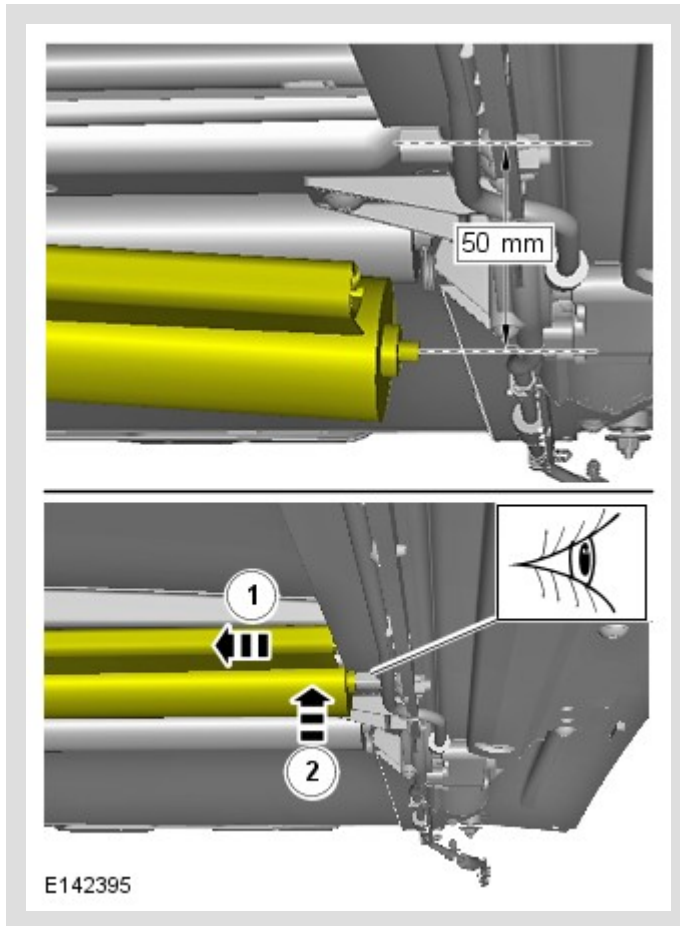
14.

CAUTIONS:

- Make sure that a firm pressure is applied to the glass roof panel blind so that tension is maintained until the glass roof opening blind is correctly located.
- Make sure that the glass roof panel blind is not lowered by more than 50 mm at one end whilst the other end is still located in to the drive mechanism.

NOTE:

Roof opening panel blind shown, glass roof panel blind similar.



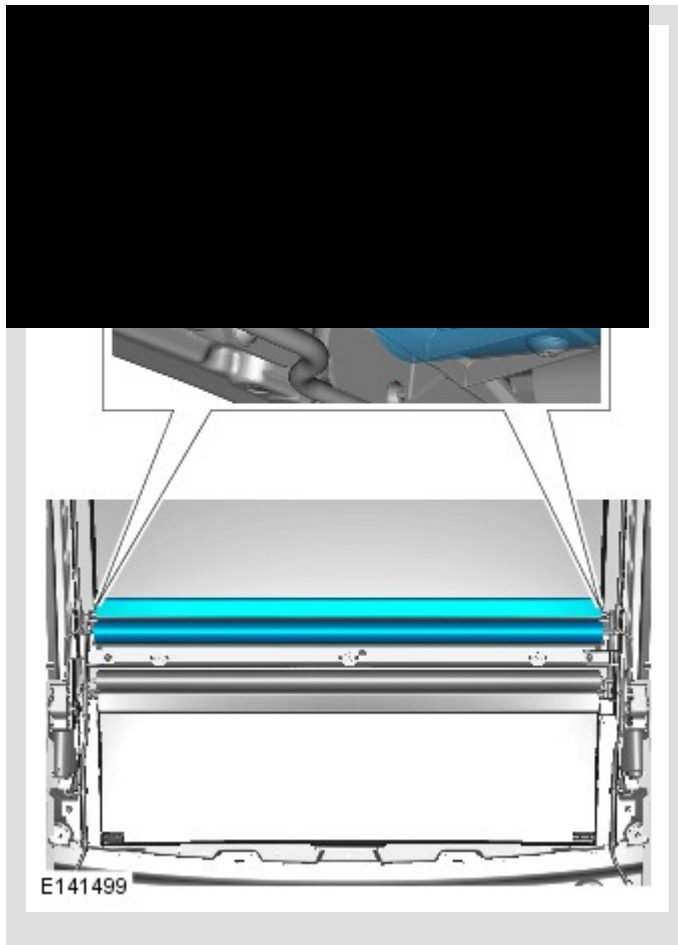
15.

⚠ CAUTION:

Make sure that the clips are correctly located.

△ NOTES:

- Follow the animation to make sure the roof opening panel blind is removed and installed correctly from and to the guides.
- Roof opening panel blind shown, glass roof panel blind similar.



Secure the glass roof panel blind

16. Refer to: [Roof Opening Panel Blind](#) (501-17 Roof Opening Panel, Removal and Installation).