

[Account](#)[Vehicle](#)[Help](#)[Search](#)[Contact](#)[AutoZone Community](#)[Exit](#)

Your Vehicle: 2014 Jaguar XJ RWD (X351) V8-5.0L SC

[Vehicle](#) » [Lighting and Horns](#) » [Headlamp](#) » [Adjustments](#)

Adjustments

Headlamp Adjustment

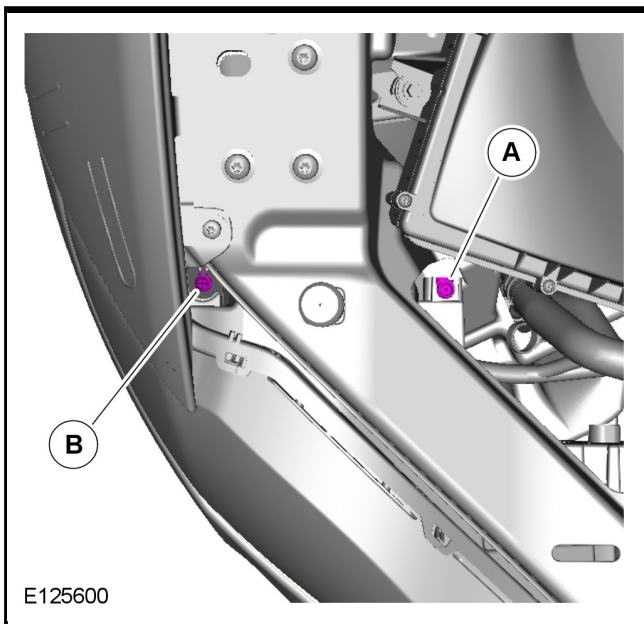
NOTE:

The headlamp setting is 1 % below horizontal and parallel.

Align the headlamp beam setting equipment to one headlamp.
Check the headlamp beam alignment.

NOTE:

The headlamp setting is 1 % below horizontal and parallel.

[Zoom](#)[Sized for Print](#)

Adjust the headlamps with an Allen Key.
To adjust the second headlamp, repeat the above procedure.

[Account](#) | [Vehicle](#) | [Help](#) | [Contact](#) | [AutoZone Community](#) | [Exit](#)