

INSTRUMENT PANEL AND CONSOLE FLOOR CONSOLE [G1267524]

REMOVAL AND INSTALLATION

76.25.01

CONSOLE
ASSEMBLY -
RENEW

ALL
DERIVATIVES

1.60

USED WITHINS

REMOVAL

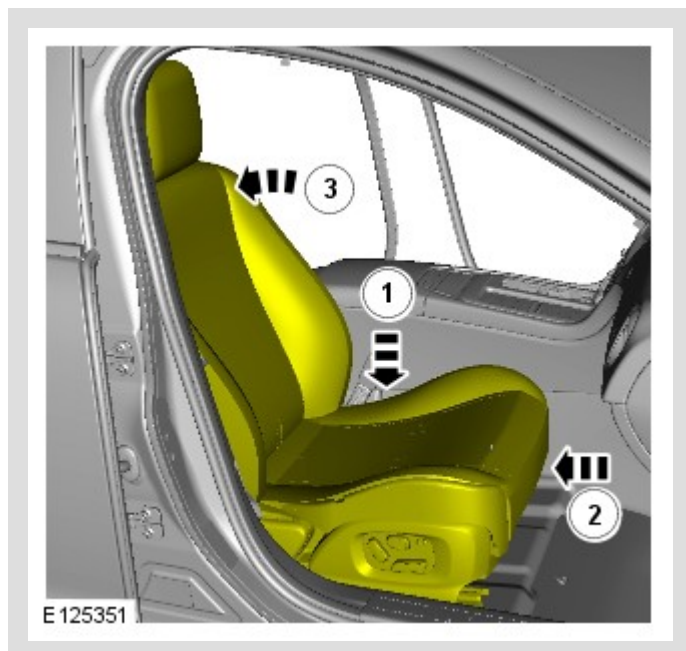
NOTE:

Removal steps in this procedure may contain installation details.

1.

NOTE:

The procedure must be carried out on both sides.

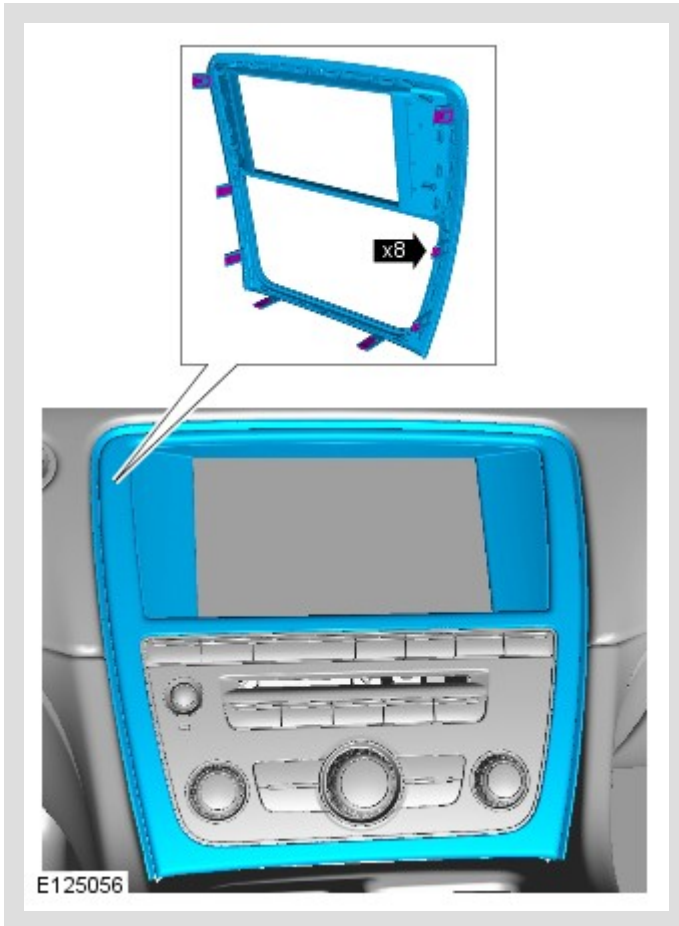


2.

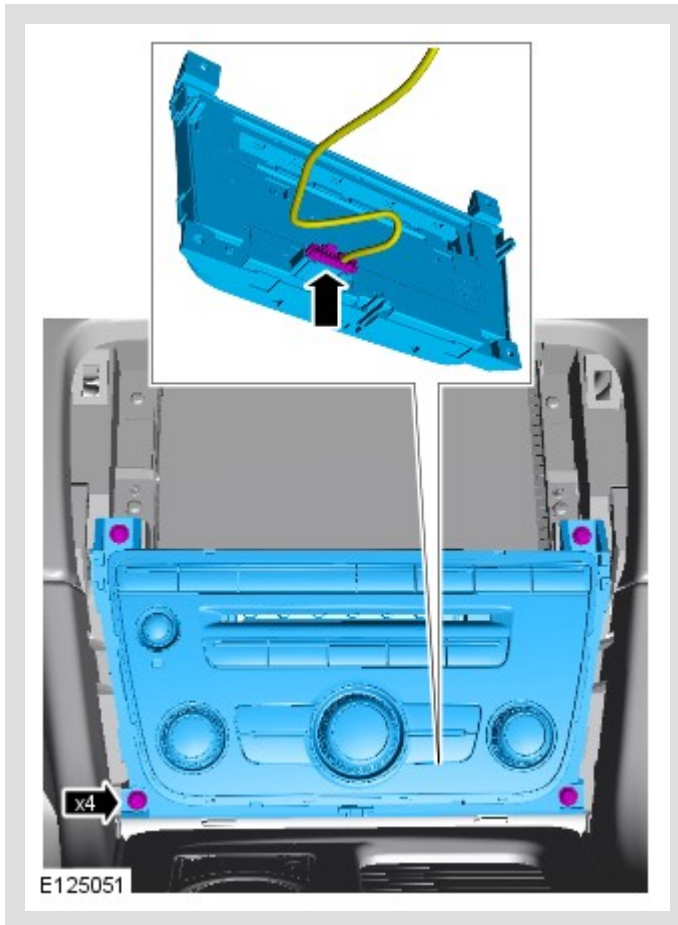
3.

ⓘ CAUTION:

Take extra care not to damage the edges of the component.

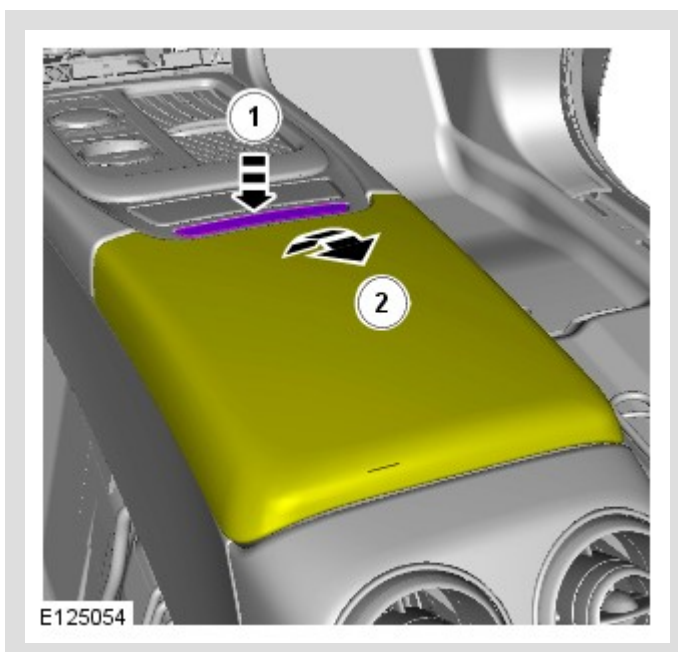


4.



Torque: 4 Nm

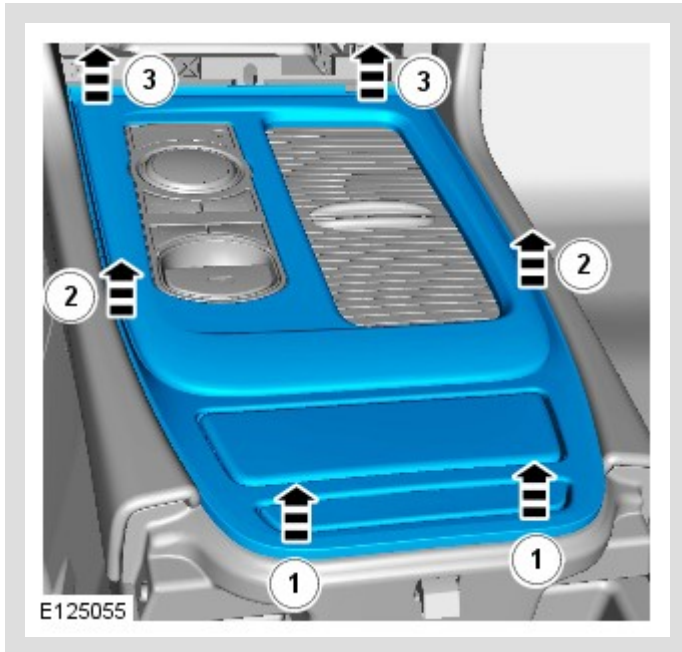
5.



6.

⚠ CAUTION:

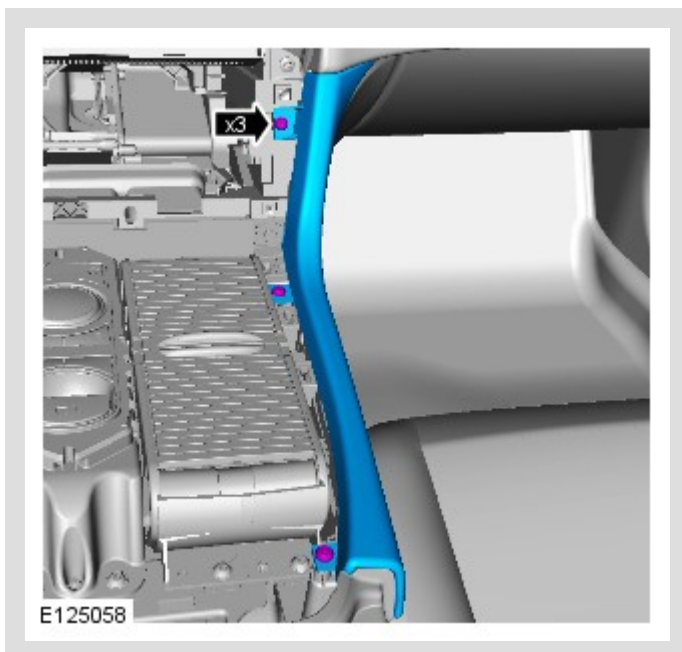
Take extra care not to damage the edges of the component.



7.

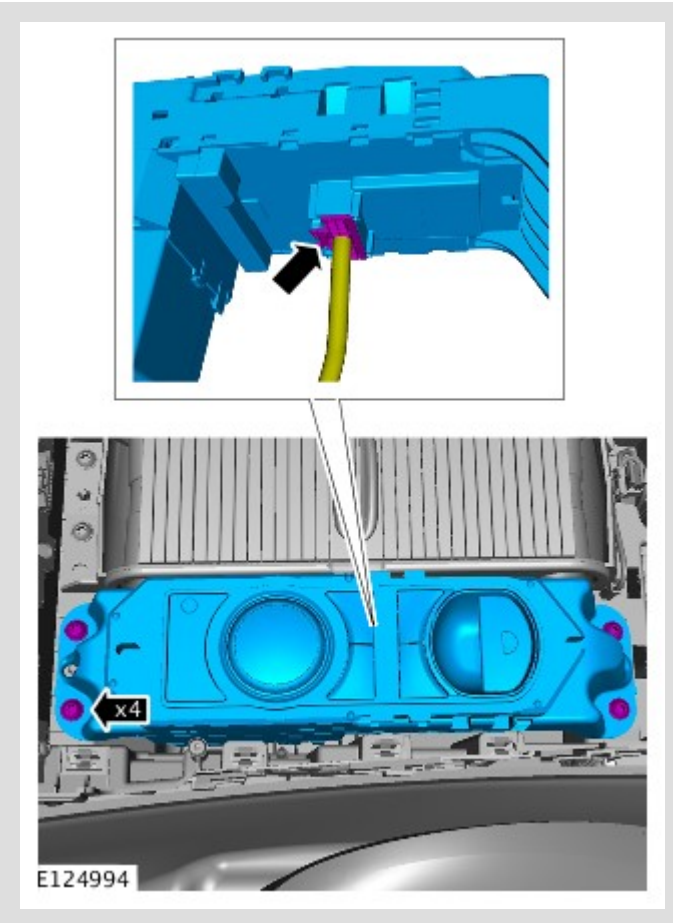
△ NOTE:

RH illustration shown, LH is similar.



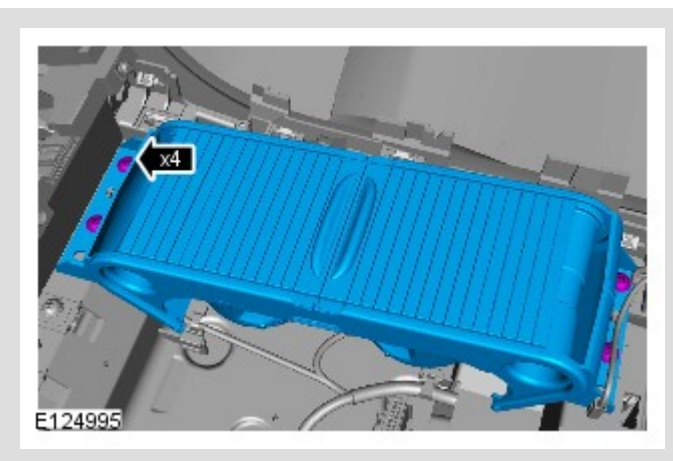
Torque: 2.5 Nm

8.



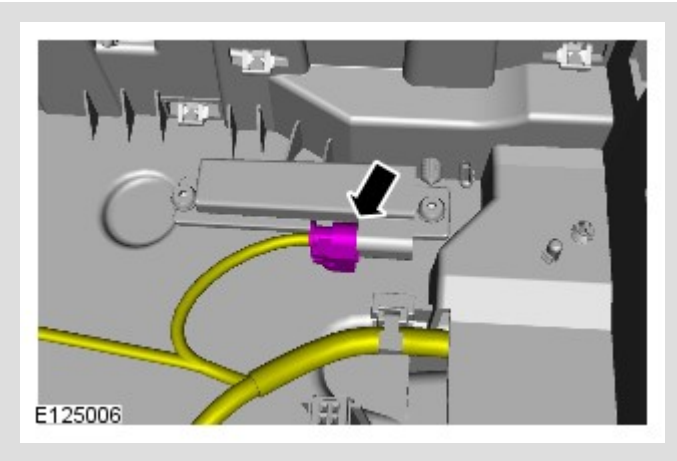
Torque: 4 Nm

9.



Torque: 4 Nm

10.

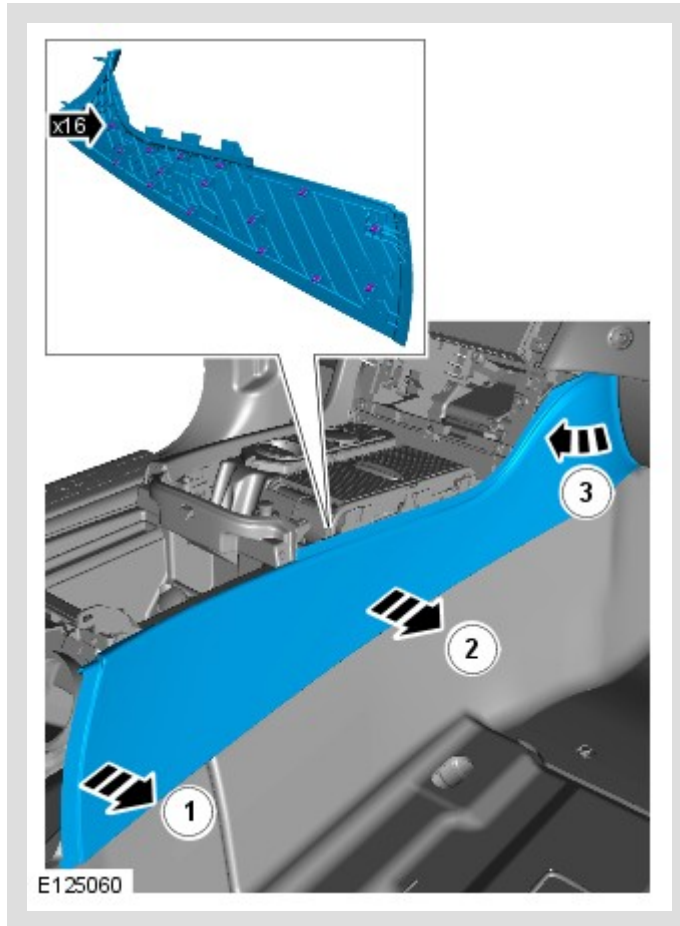


11.

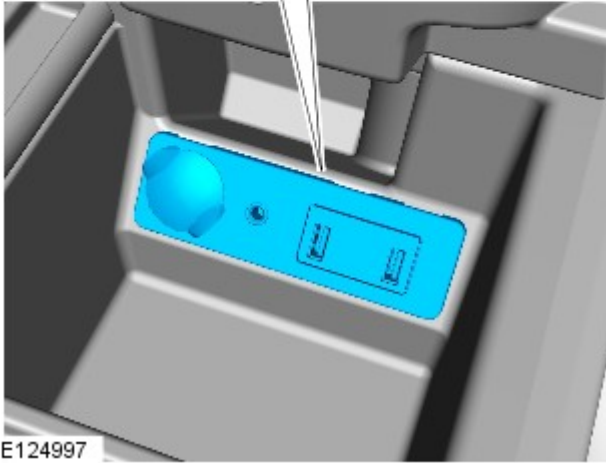
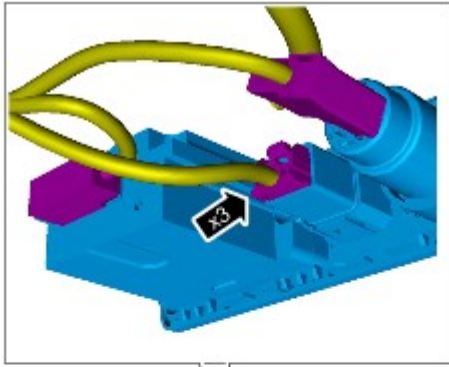


 **NOTE:**

The procedure must be carried out on both sides.



13.



E124997

14.

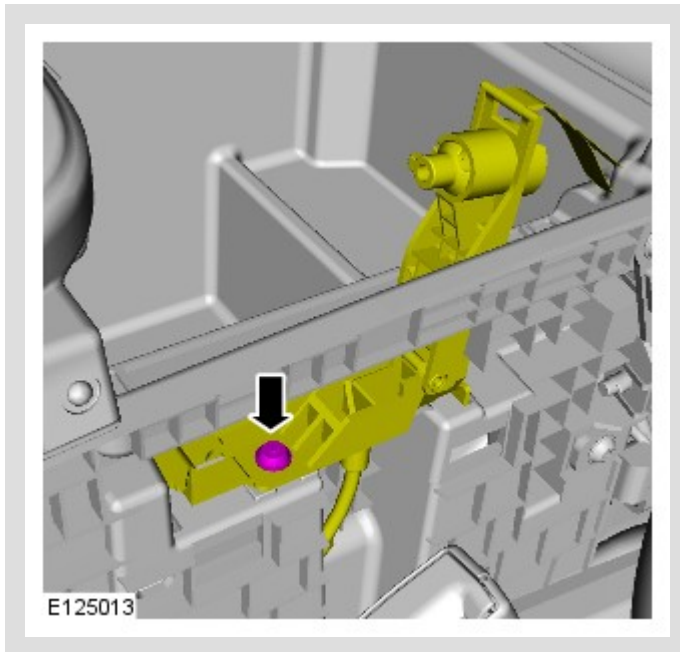


E125000

15.

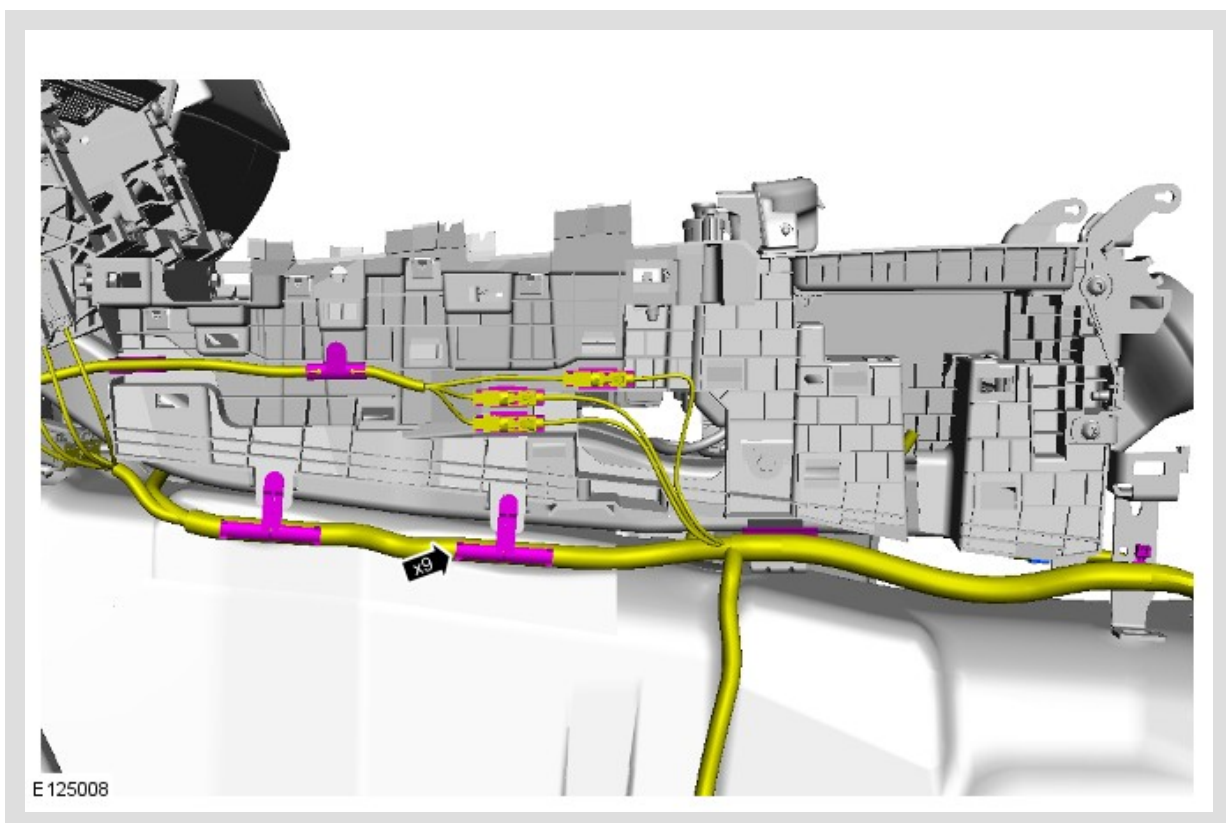
ⓘ CAUTIONS:

- Make sure that the vehicle is parked on level ground.
- Apply the parking brake, chock the wheels and ensure that all personnel are clear of the vehicle before carrying out the following procedure.

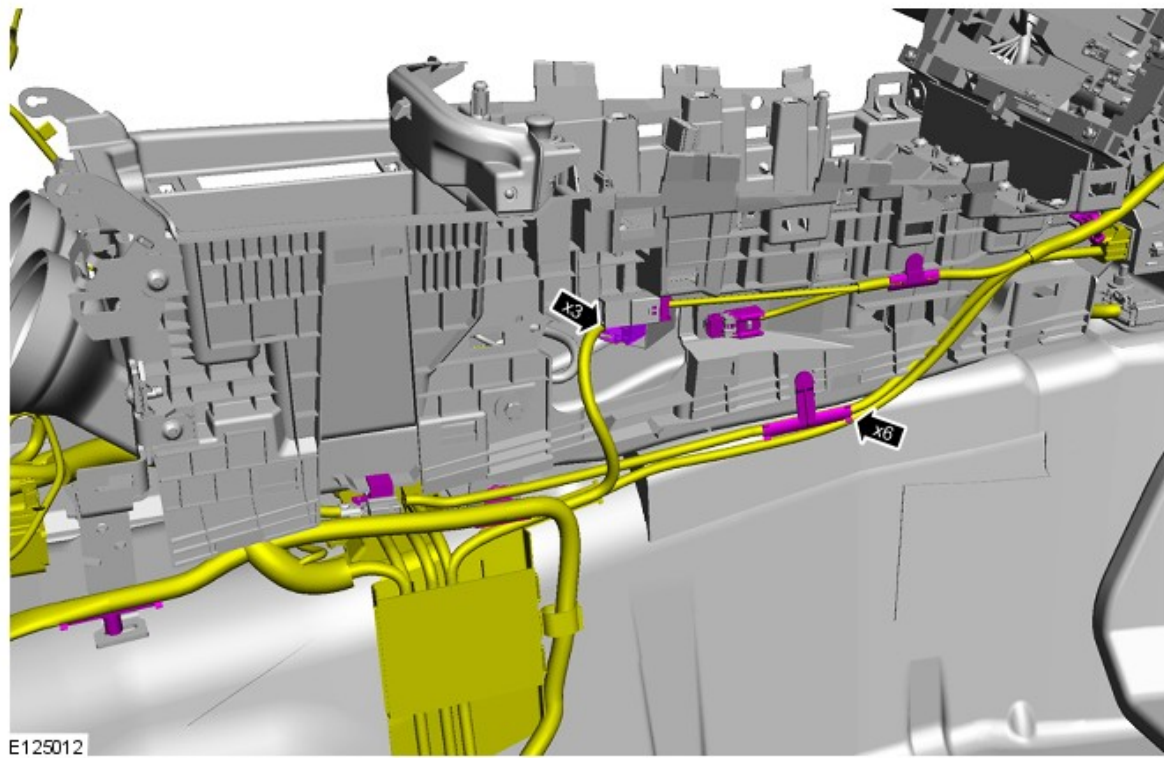


Torque: 1 Nm

16.



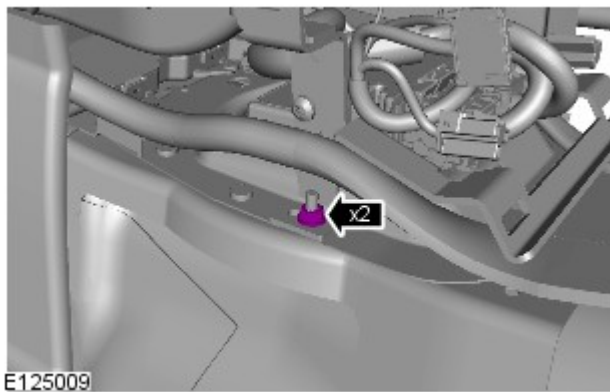
17.



18.

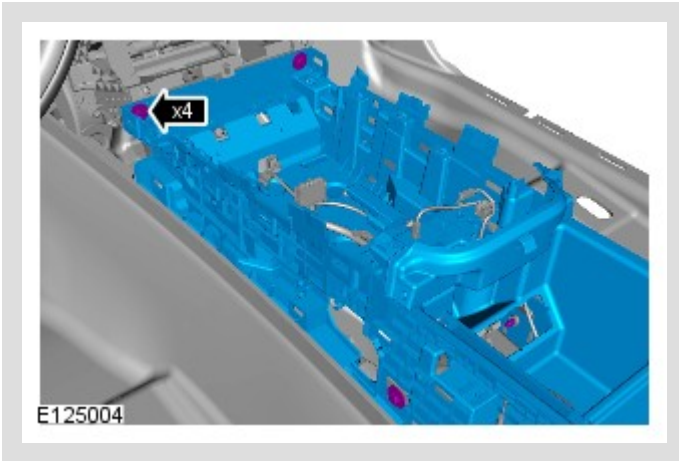
 **NOTE:**

The procedure must be carried out on both sides.



Torque: 5 Nm

19.

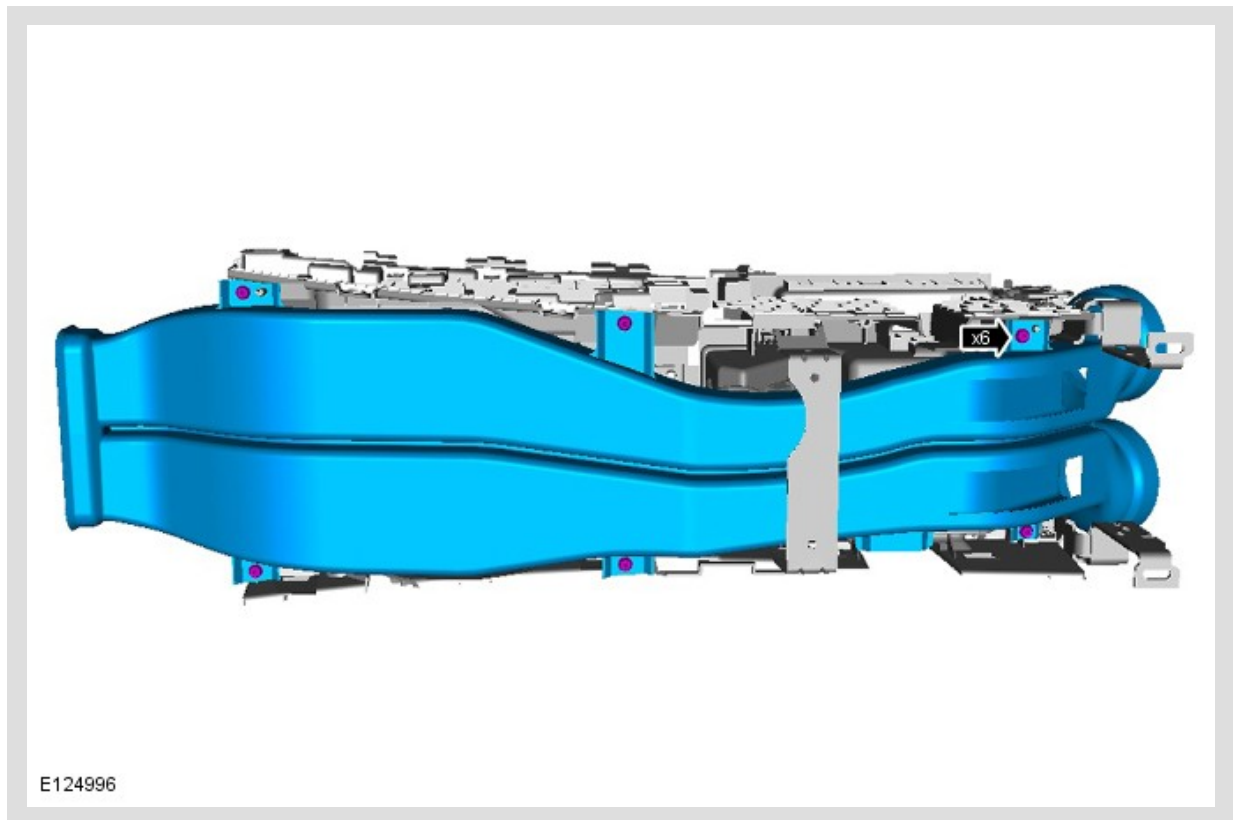


Torque: **5 Nm**

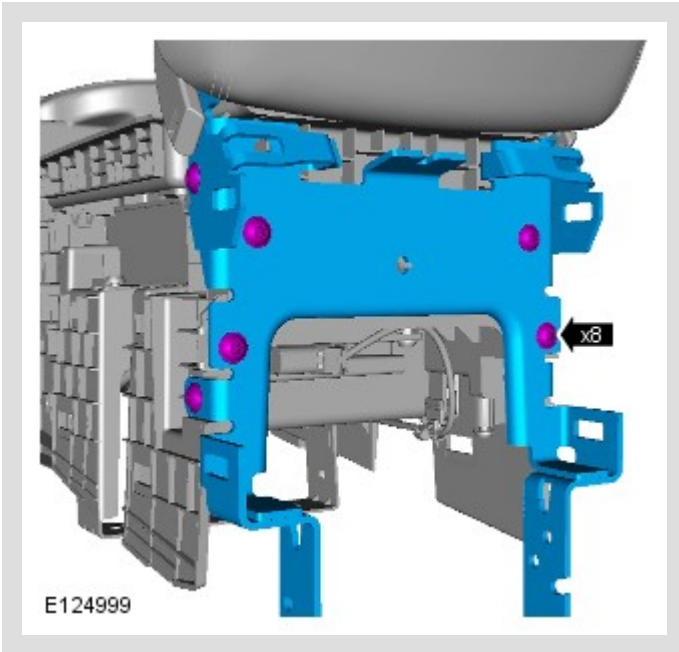
20.

 **NOTE:**

Do not disassemble further if the component is removed for access only.

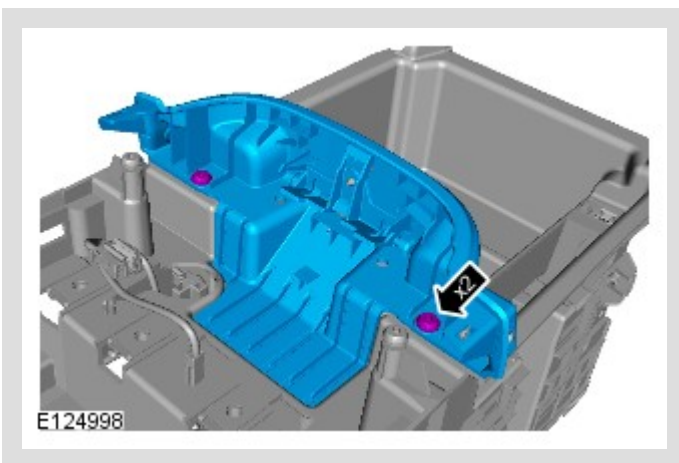


21.



Torque: 5 Nm

22.

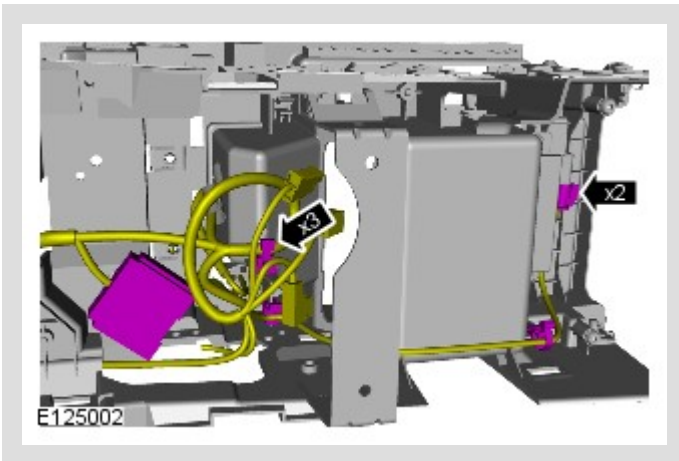


Torque: 1 Nm

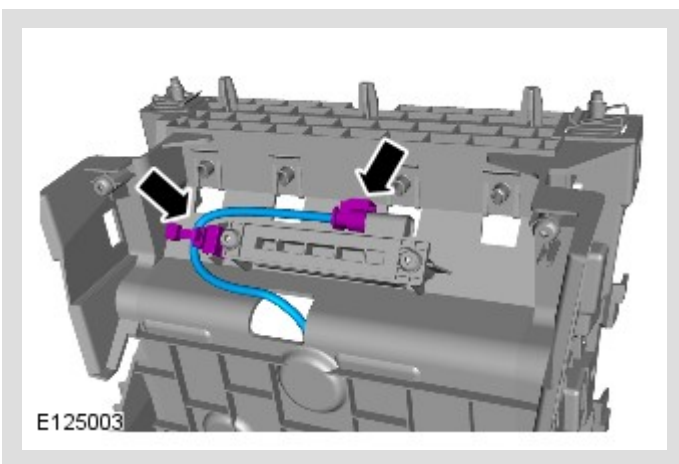
23.



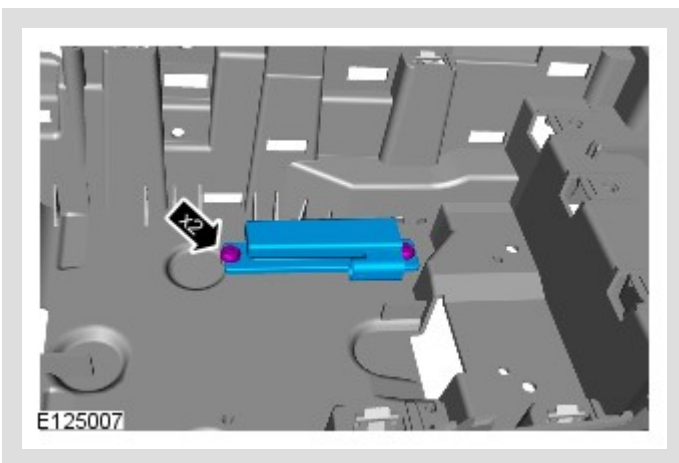
24.



25.

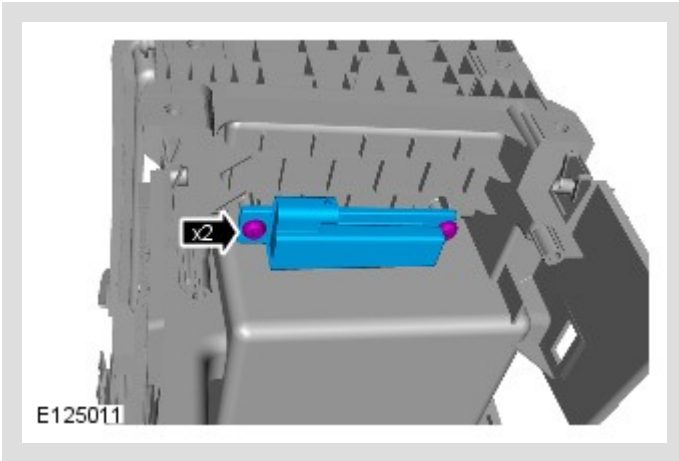


26.



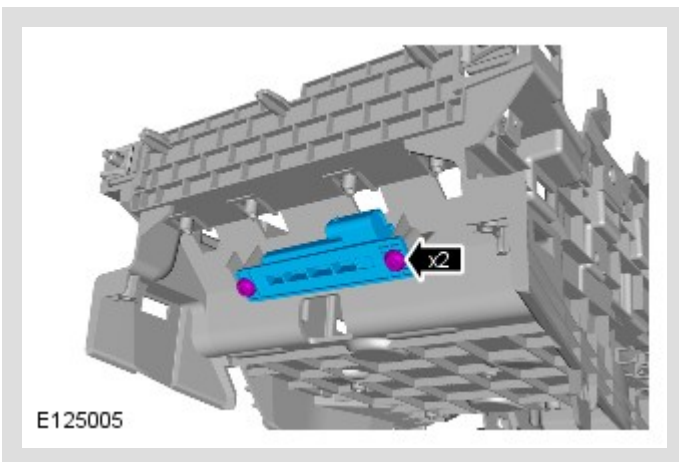
Torque: 1 Nm

27.



Torque: 1 Nm

28.



Torque: 1 Nm

INSTALLATION

1. To install, reverse the removal procedure.