

INSTRUMENT PANEL AND CONSOLE

GLOVE COMPARTMENT [C1267528]

REMOVAL AND INSTALLATION

76.52.03

GLOVE BOX -
RENEW

ALL
DERIVATIVES

0.70

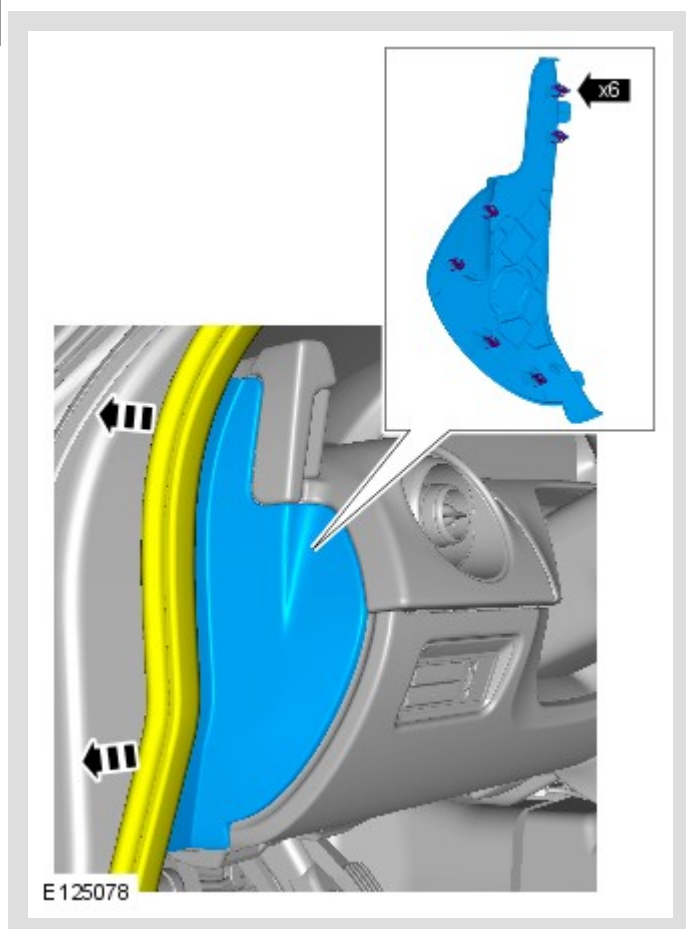
USED WITHINS

REMOVAL

NOTE:

Removal steps in this procedure may contain installation details.

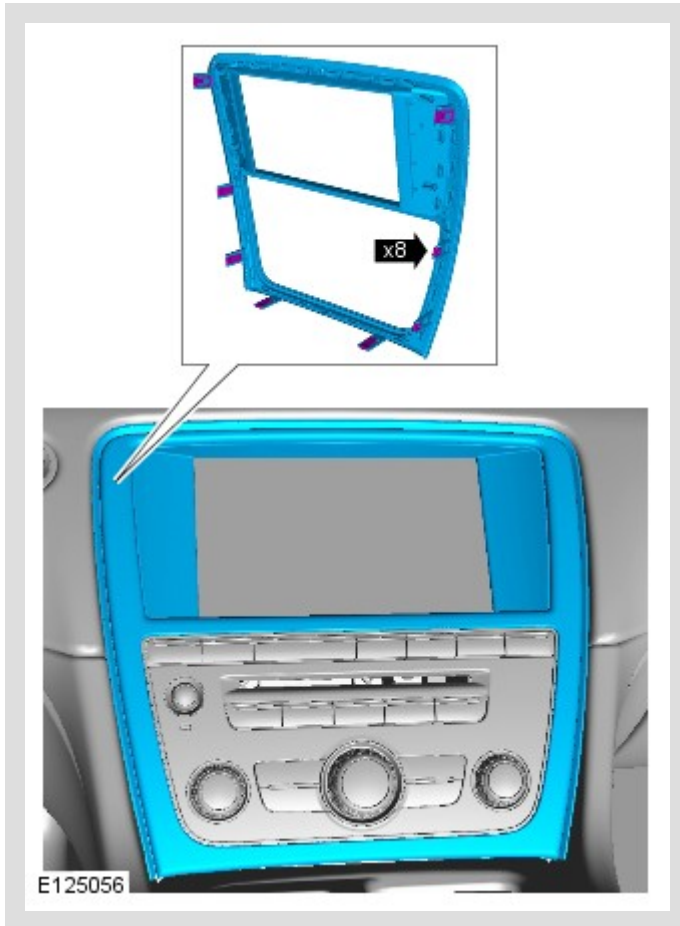
1.



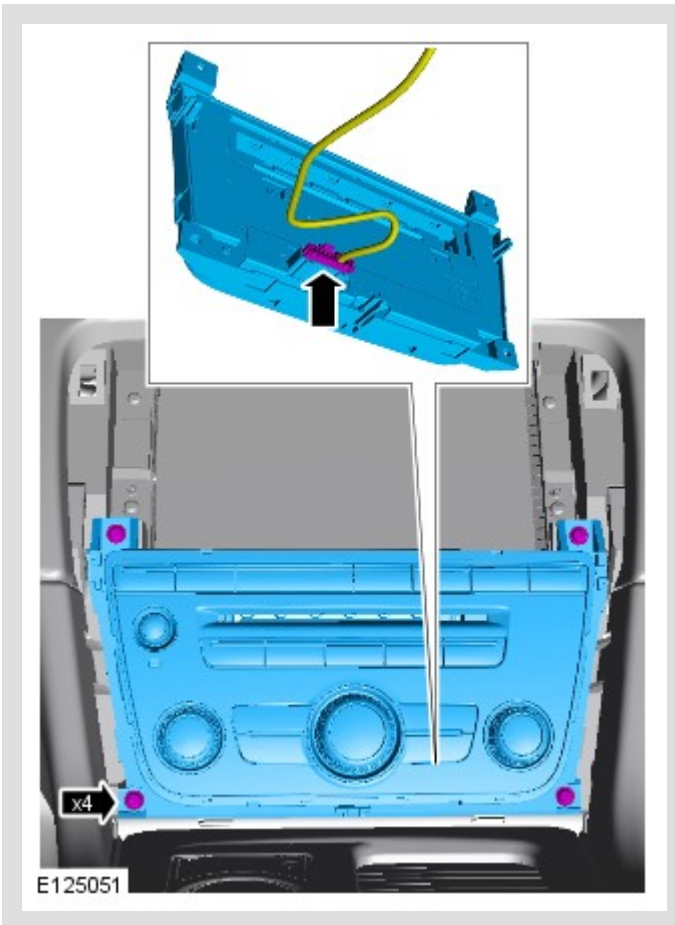
2.

⚠ CAUTION:

Take extra care not to damage the edges of the component.



3.



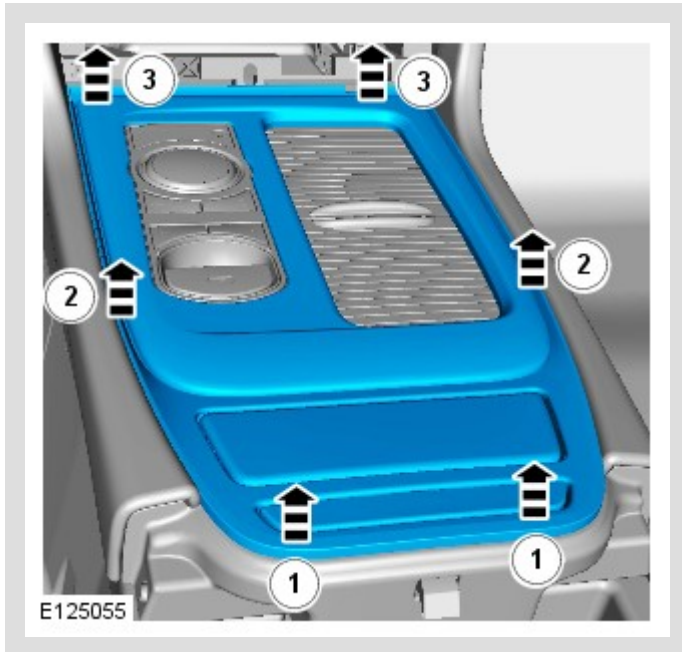
4.



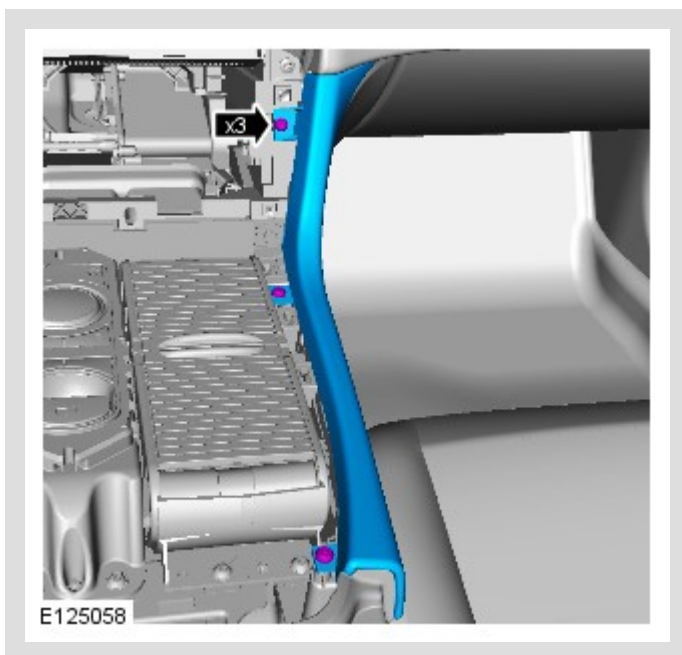
5.

⚠ CAUTION:

Take extra care not to damage the edges of the component.

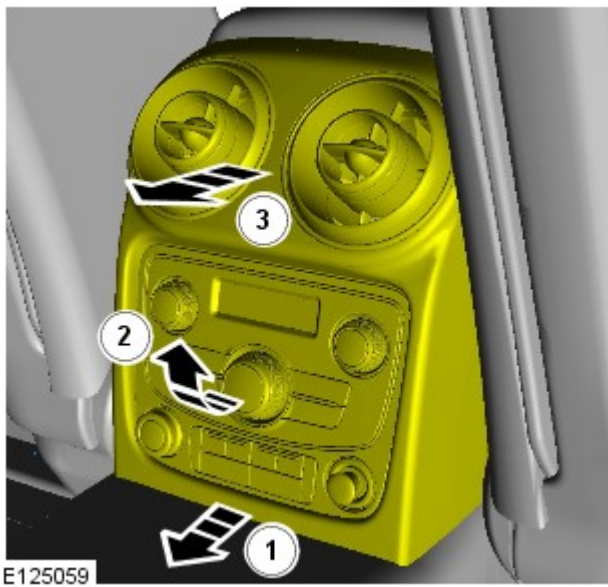


6.



Torque: 2 Nm

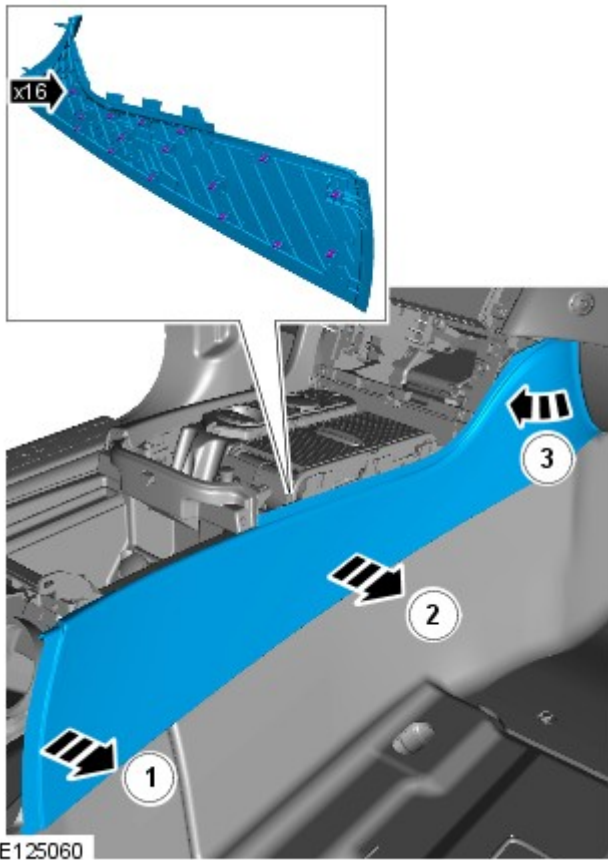
7.



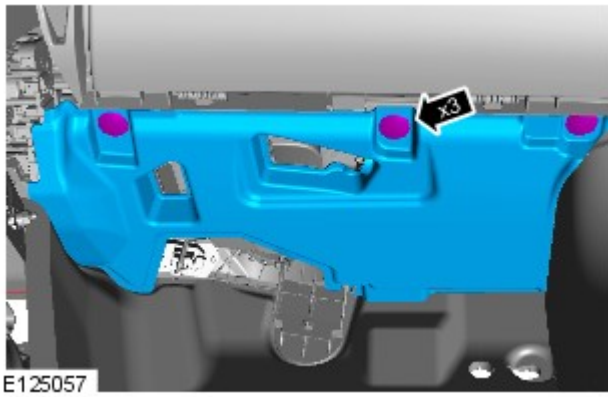
8.

 NOTE:

Some variation in the illustrations may occur, but the essential information is always correct.



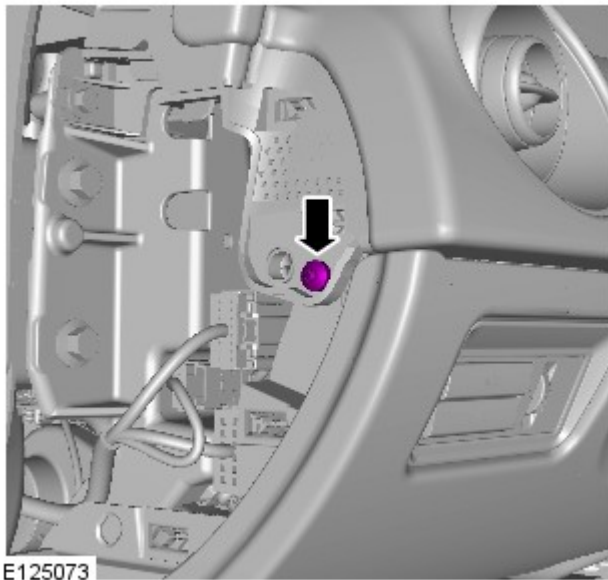
9.



10.

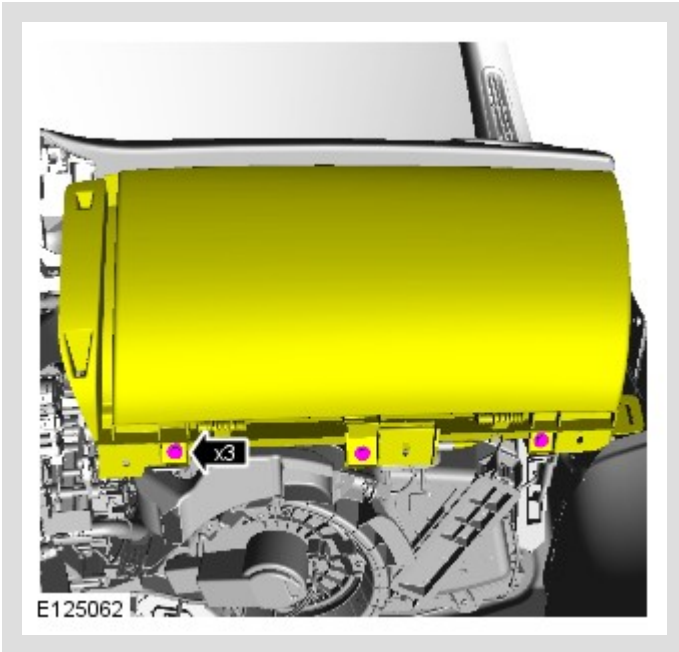
⚠ CAUTION:

LH illustration shown, RH is similar.



Torque: 2.5 Nm

11.



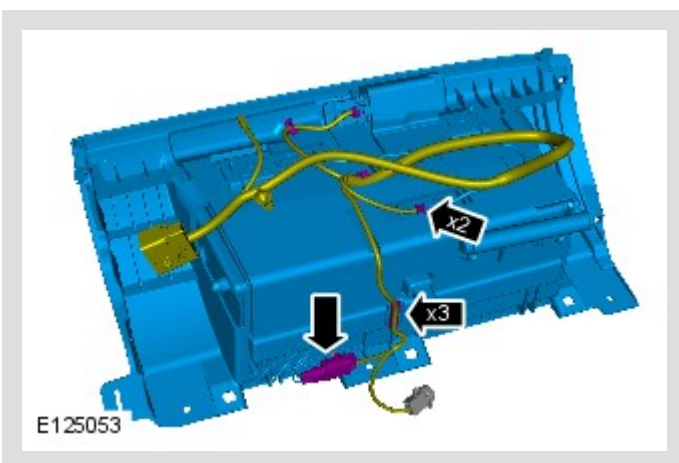
Torque: 9 Nm

12.



Torque: 2.5 Nm

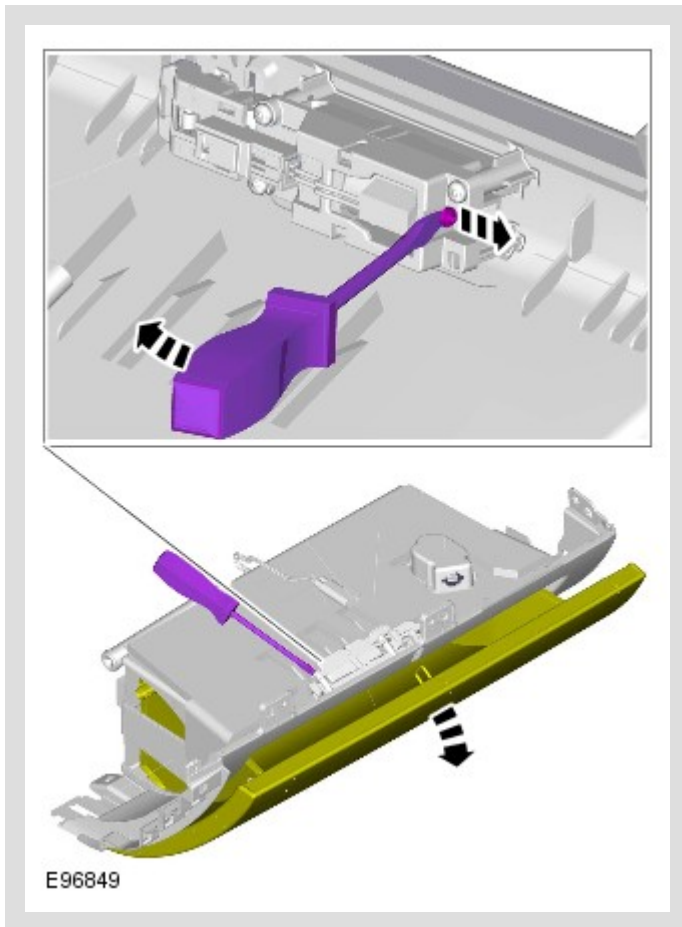
13.



14.

 **NOTES:**

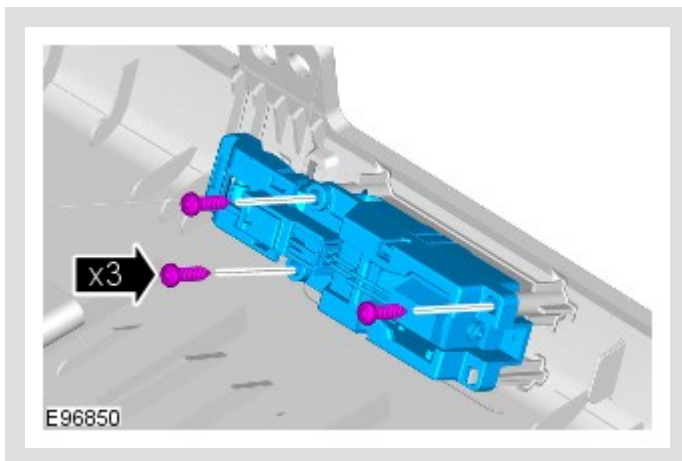
- Some variation in the illustrations may occur, but the essential information is always correct.
- Do not disassemble further if the component is removed for access only.



15.

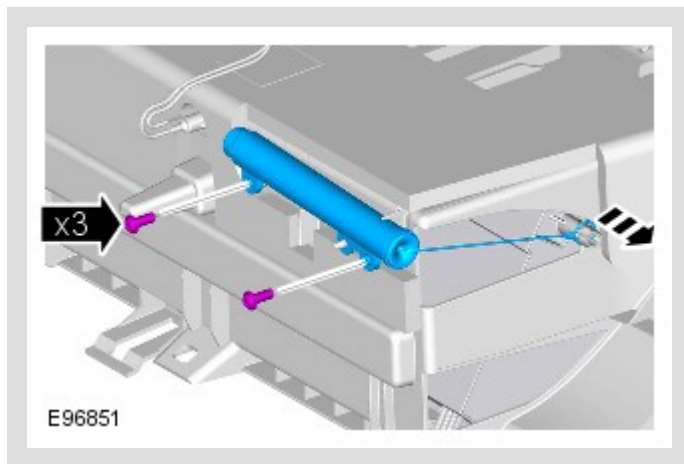
 **NOTE:**

- Some variation in the illustrations may occur, but the essential information is always correct.



Torque: 2 Nm

16.



Torque: 2 Nm

INSTALLATION

1. To install, reverse the removal procedure.