

PUBLISHED: 11-MAY-2011
2016.0 XJ RANGE (X351), 501-12

INSTRUMENT PANEL AND CONSOLE

INSTRUMENT PANEL LOWER SECTION [C1268201]

REMOVAL AND INSTALLATION

REMOVAL

NOTE:

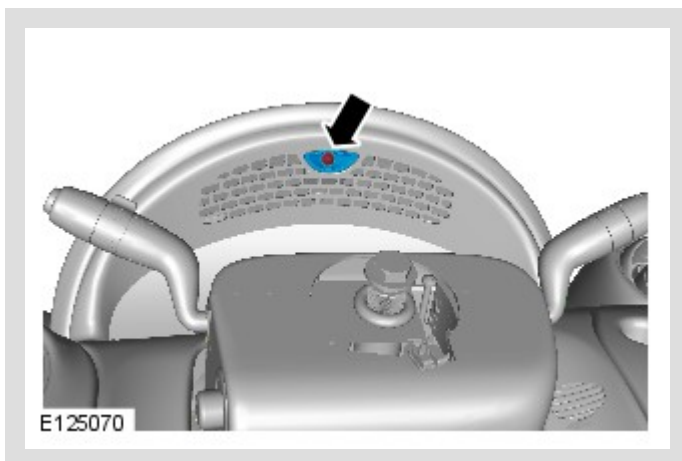
Removal steps in this procedure may contain installation details.

1. Refer to: [Floor Console Side Trim Panel](#) (501-12 Instrument Panel and Console, Removal and Installation).

2.

NOTE:

The steering wheel is shown removed for clarity.

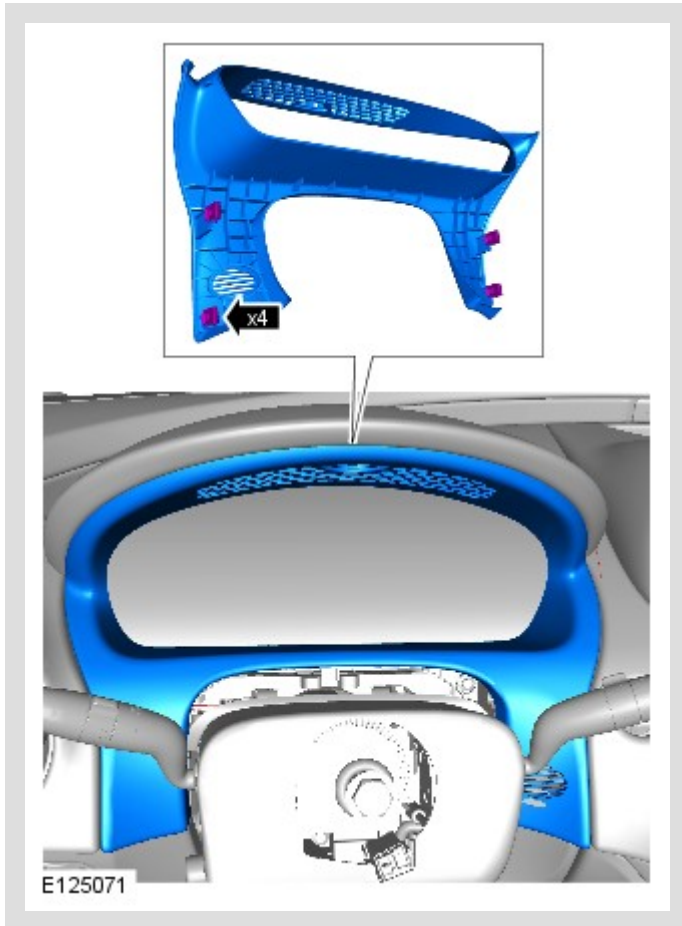


Torque: 2 Nm

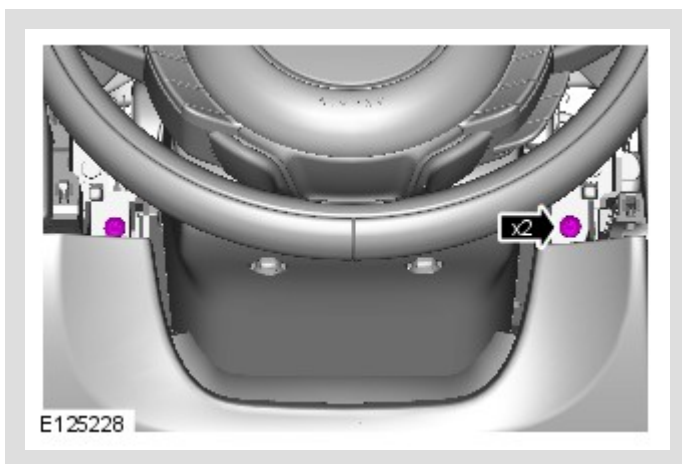
3.

 NOTE:

The steering wheel is shown removed for clarity.

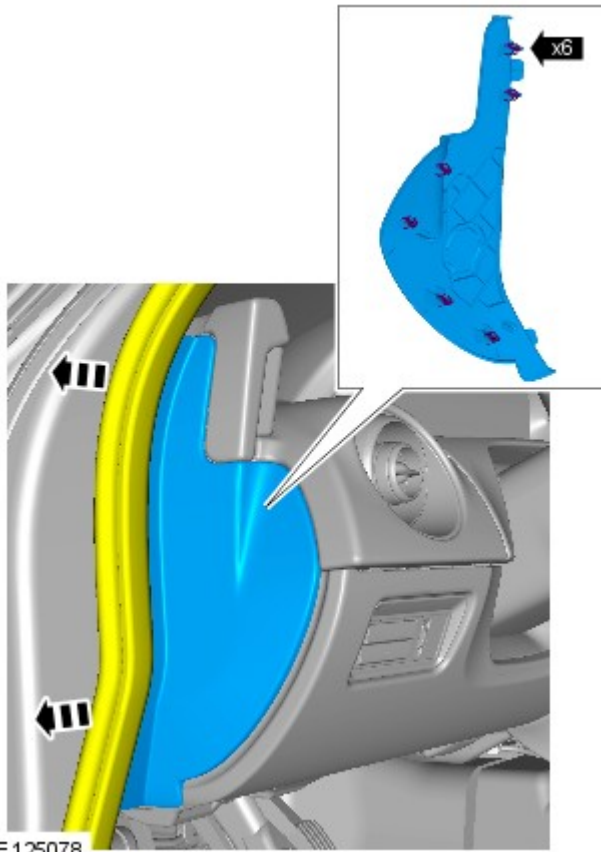


4.



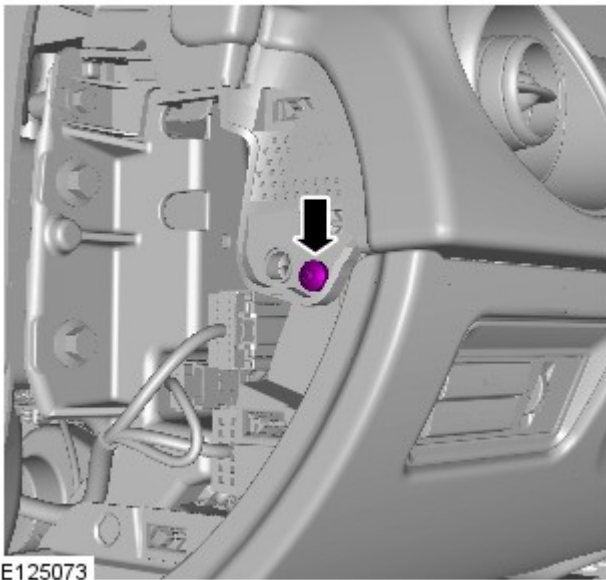
Torque: 2.5 Nm

5.



E 125078

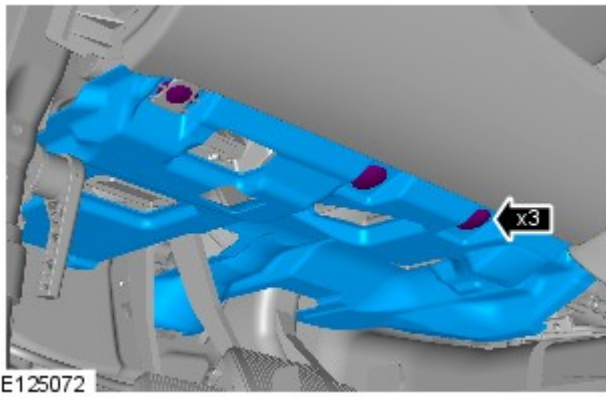
6.



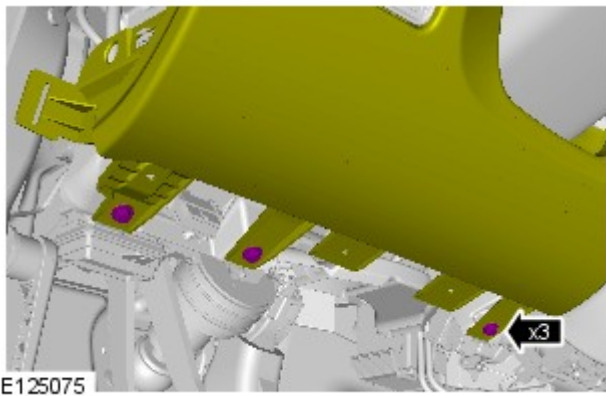
E 125073

Torque: 2.5 Nm

7.



8.

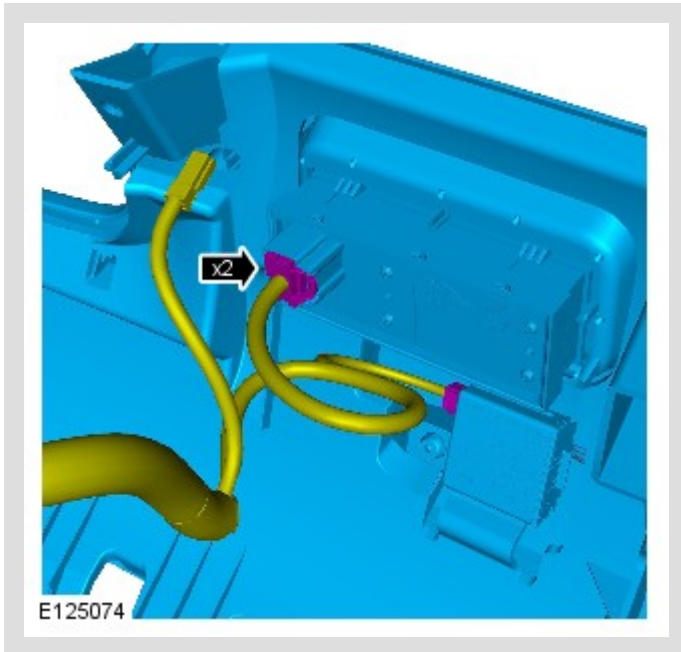


Torque: 9 Nm

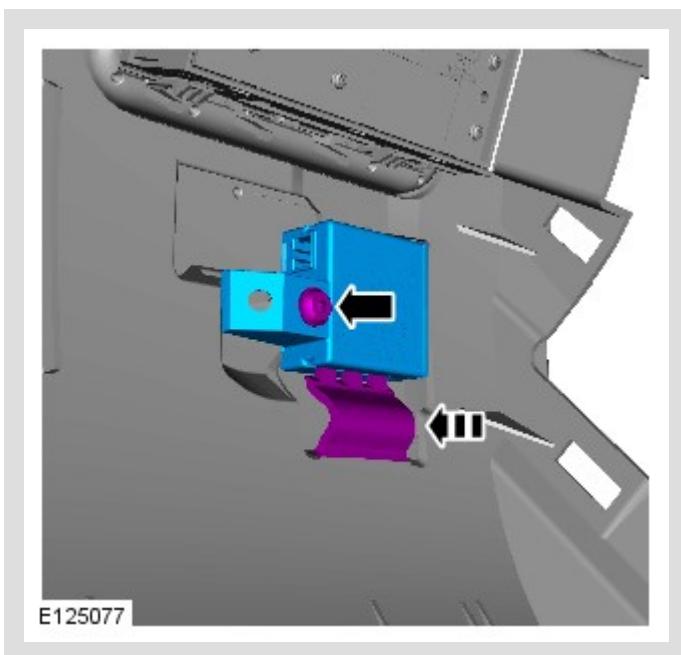
9.

 **NOTE:**

Do not disassemble further if the component is removed for access only.

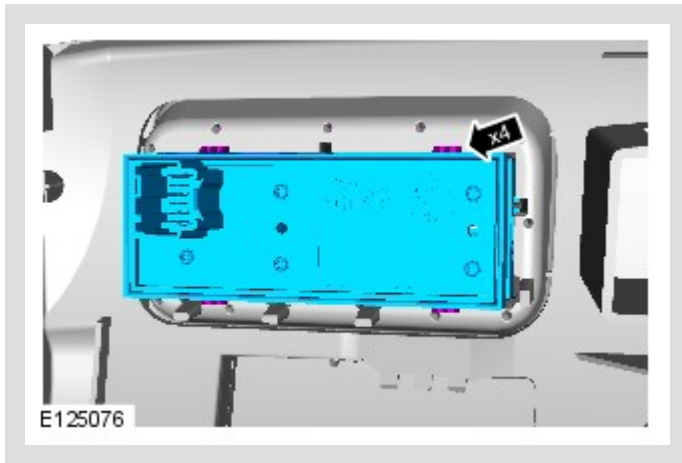


10.



Torque: 2 Nm

11.



INSTALLATION

1. To install, reverse the removal procedure.