

2010.0 X351, 501-12

INSTRUMENT PANEL AND CONSOLE

FLOOR CONSOLE (G1267524)

REMOVAL AND INSTALLATION

76.25.01 CONSOLE
ASSEMBLY
- RENEW

ALL
DERIVATIVES

1.6

USED
WITHINS

REMOVAL

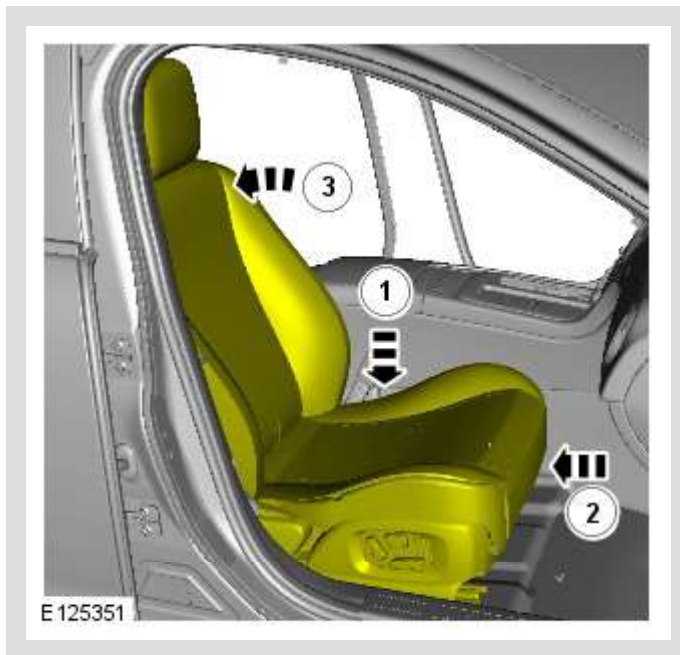
NOTE:

Removal steps in this procedure may contain installation details.

1.

NOTE:

The procedure must be carried out on both sides.

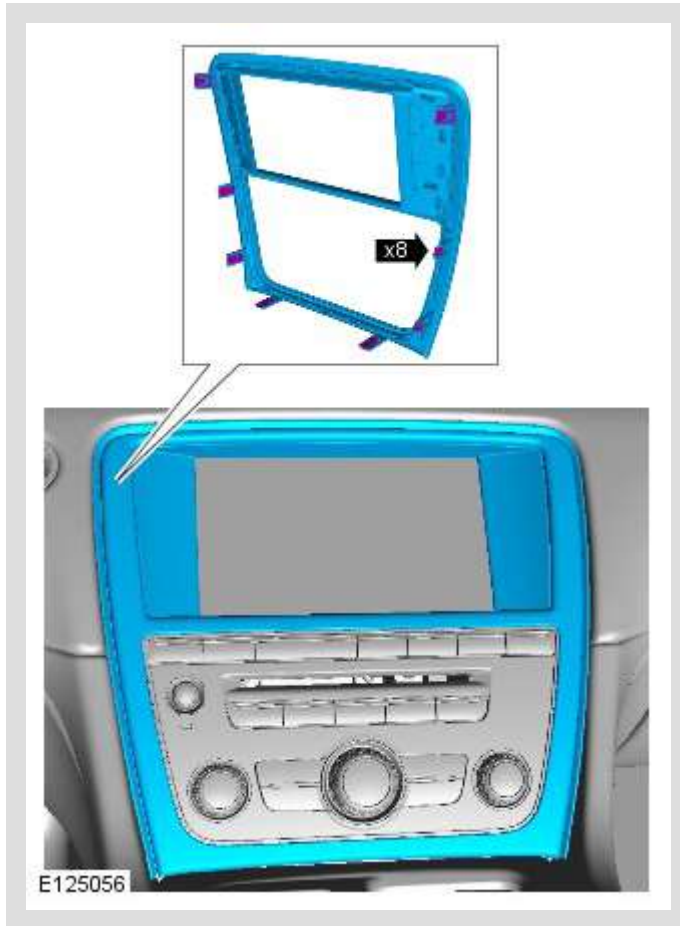


2.

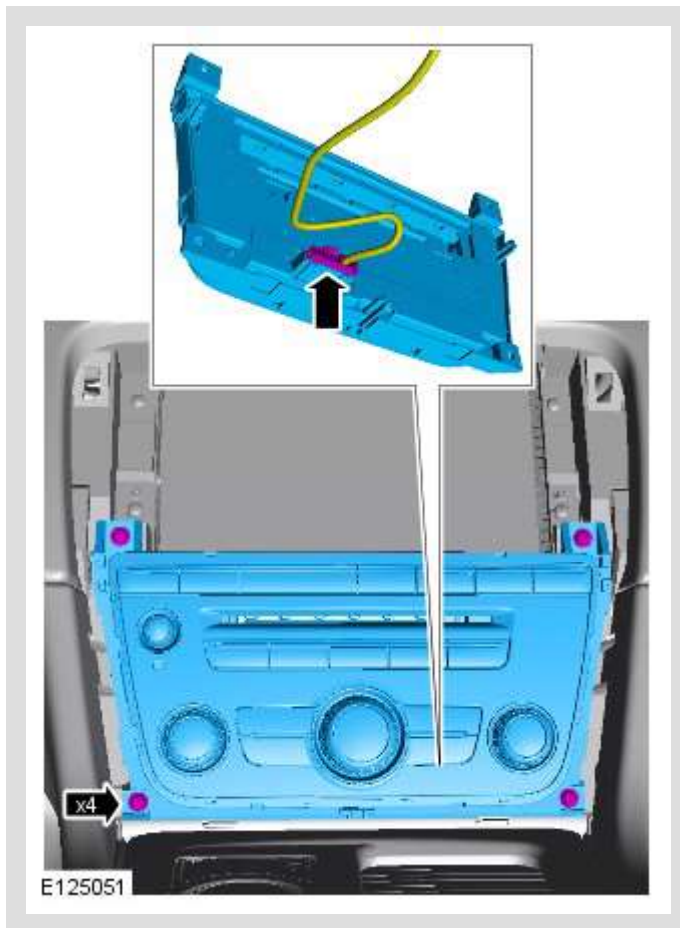
3.

⚠ CAUTION:

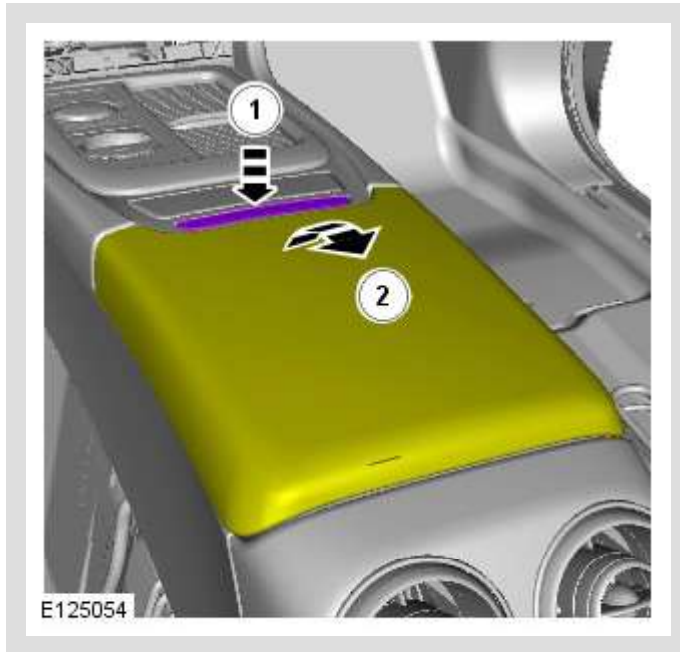
Take extra care not to damage the edges of the component.



4.

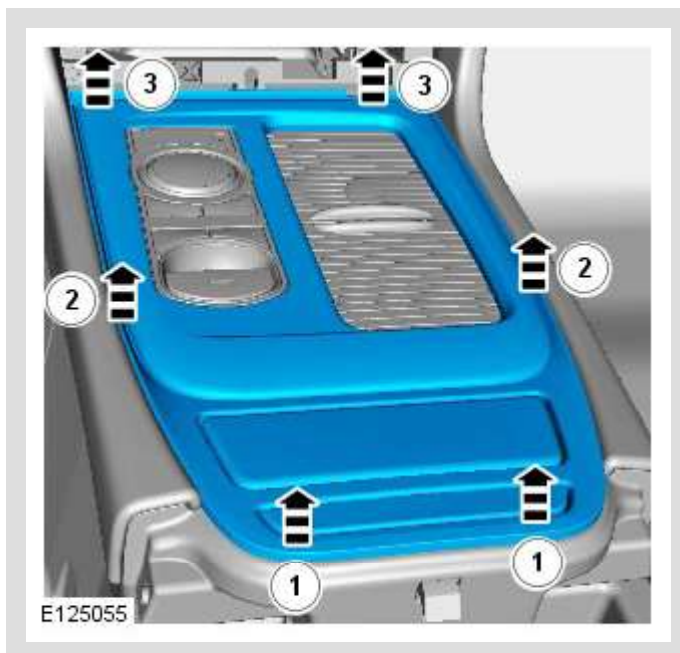


Torque: 4 Nm



6. **⚠ CAUTION:**

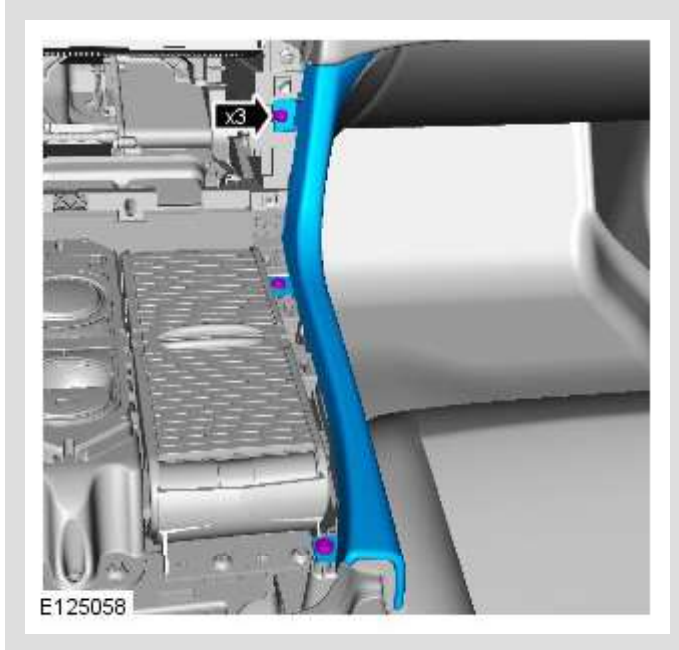
Take extra care not to damage the edges of the component.



7.

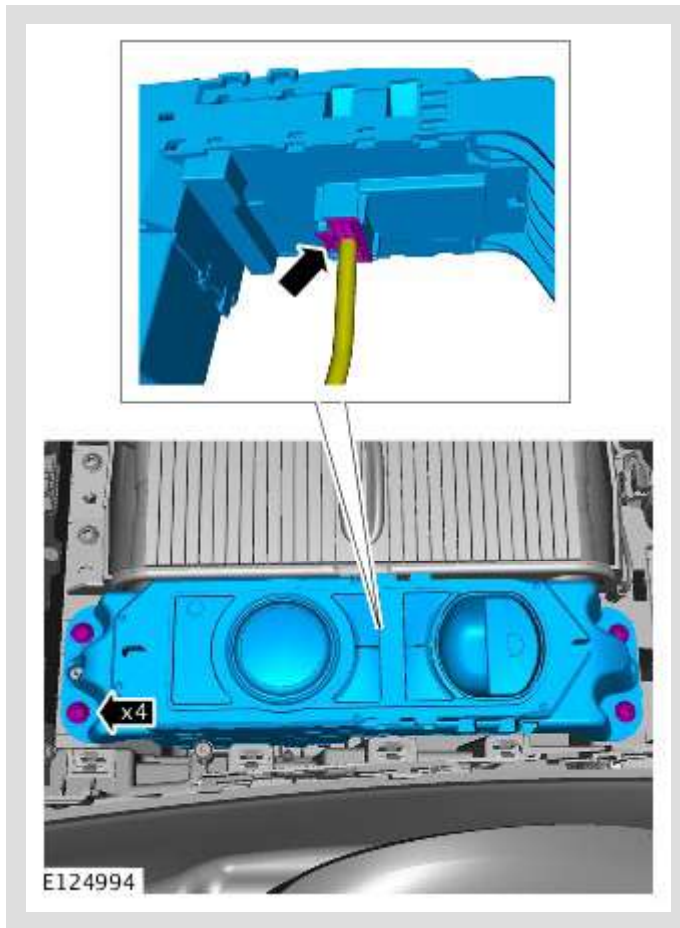
NOTE:

RH illustration shown, LH is similar.



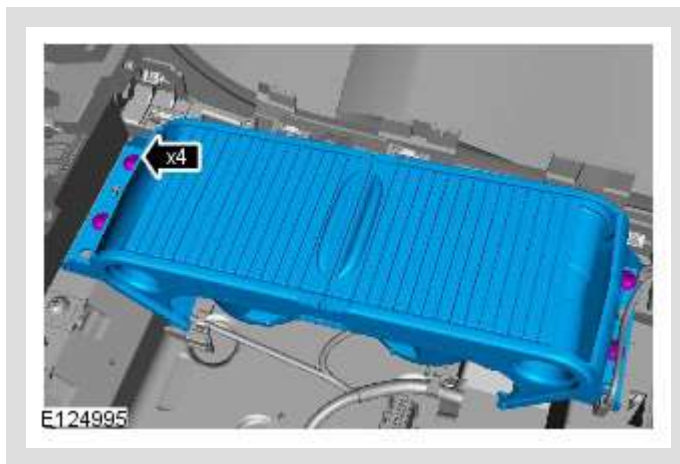
Torque: 2.5 Nm

8.



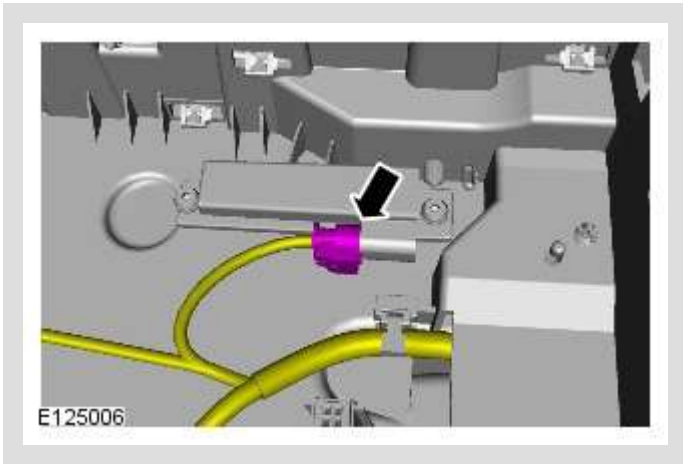
Torque: 4 Nm

9.



Torque: 4 Nm

10.



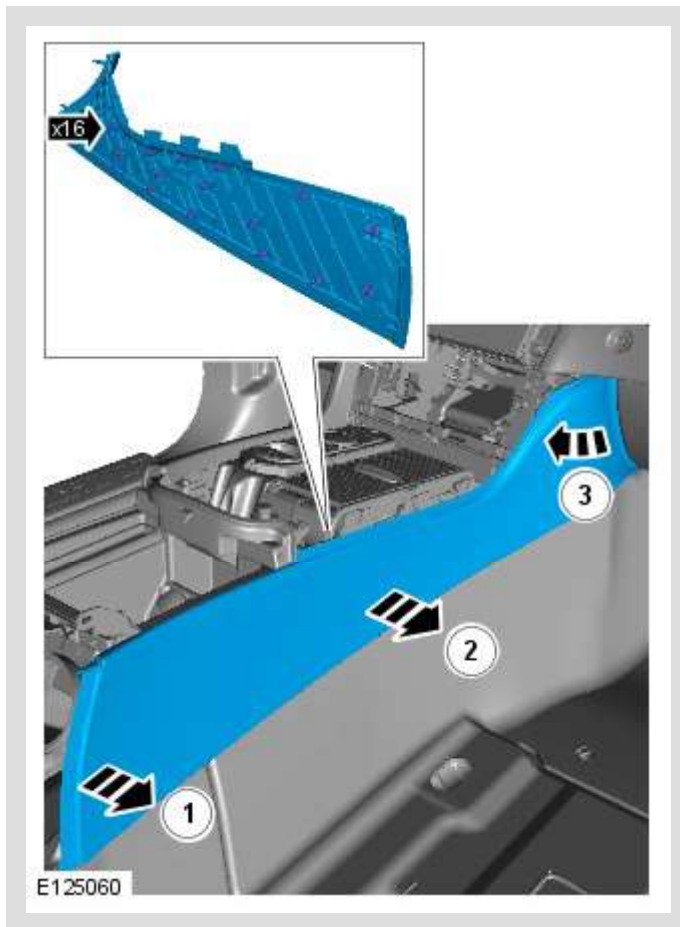
11.

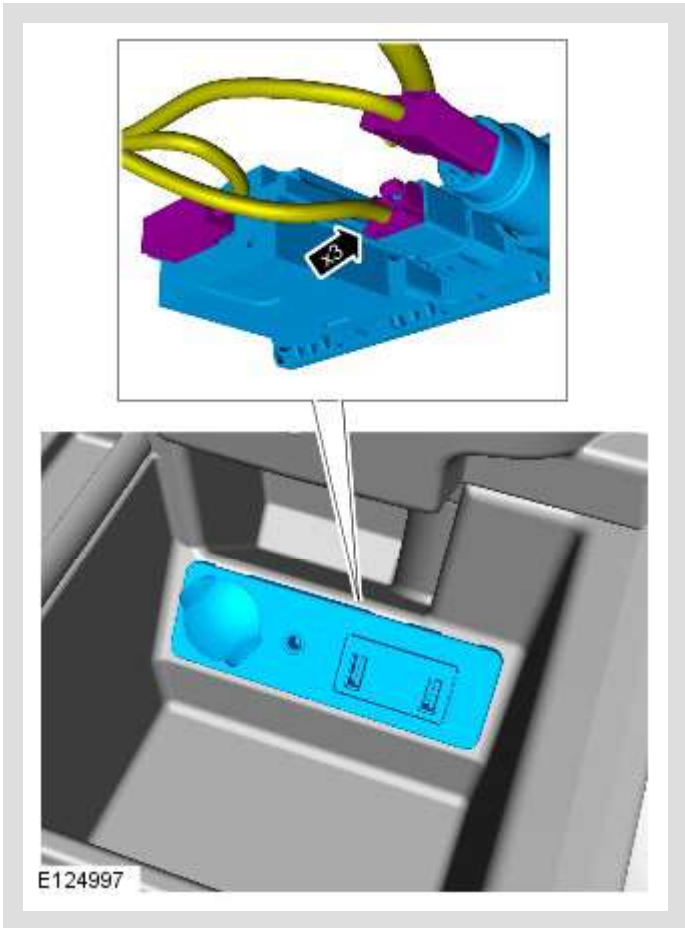


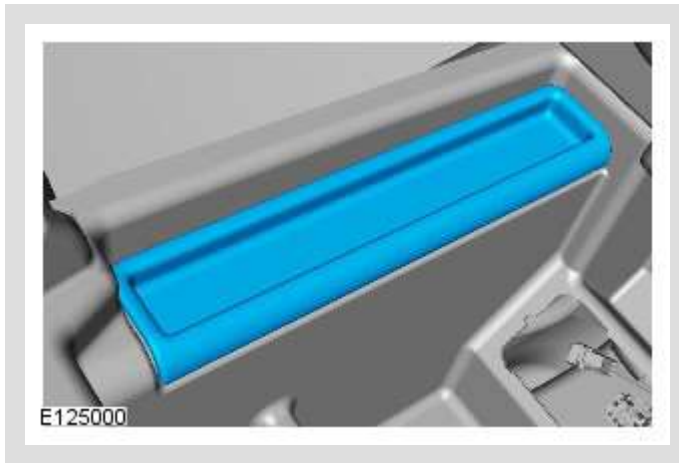
12.

△ NOTE:

The procedure must be carried out on both sides.



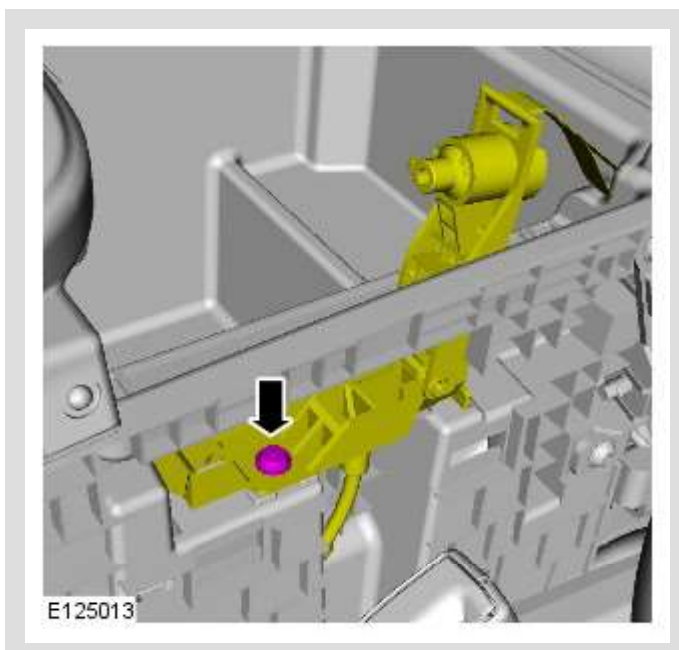




15.

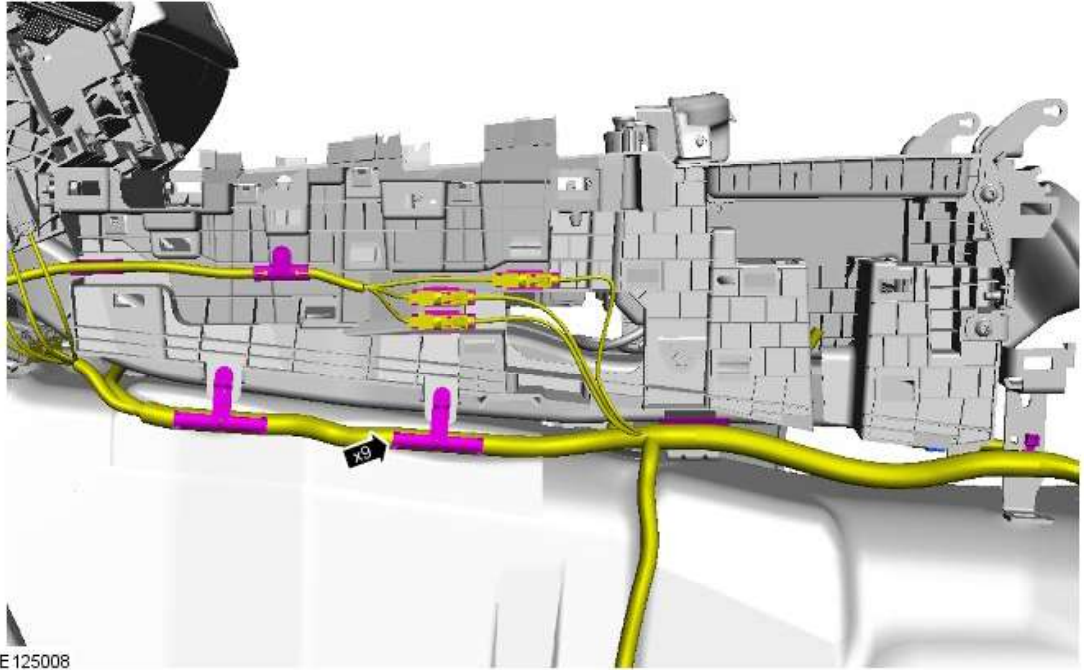
⚠ CAUTIONS:

- Make sure that the vehicle is parked on level ground.
- Apply the parking brake, chock the wheels and ensure that all personnel are clear of the vehicle before carrying out the following procedure.



Torque: 1 Nm

16.



17.

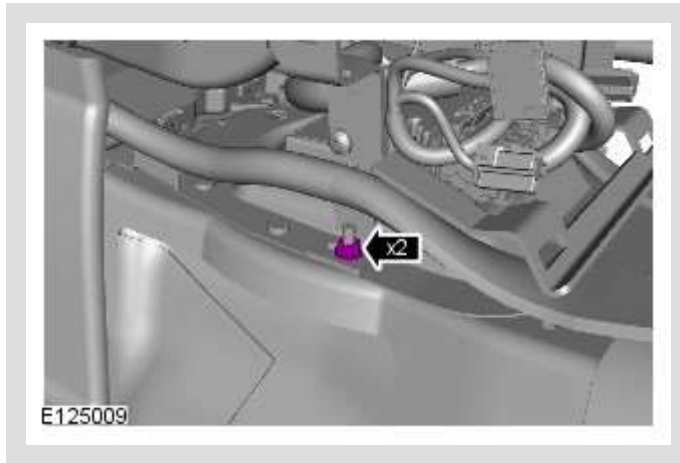


18.



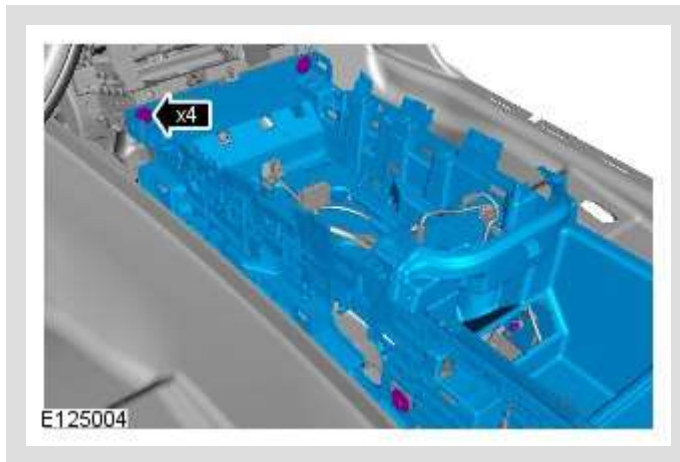
NOTE:

The procedure must be carried out on both sides.



Torque: 5 Nm

19.



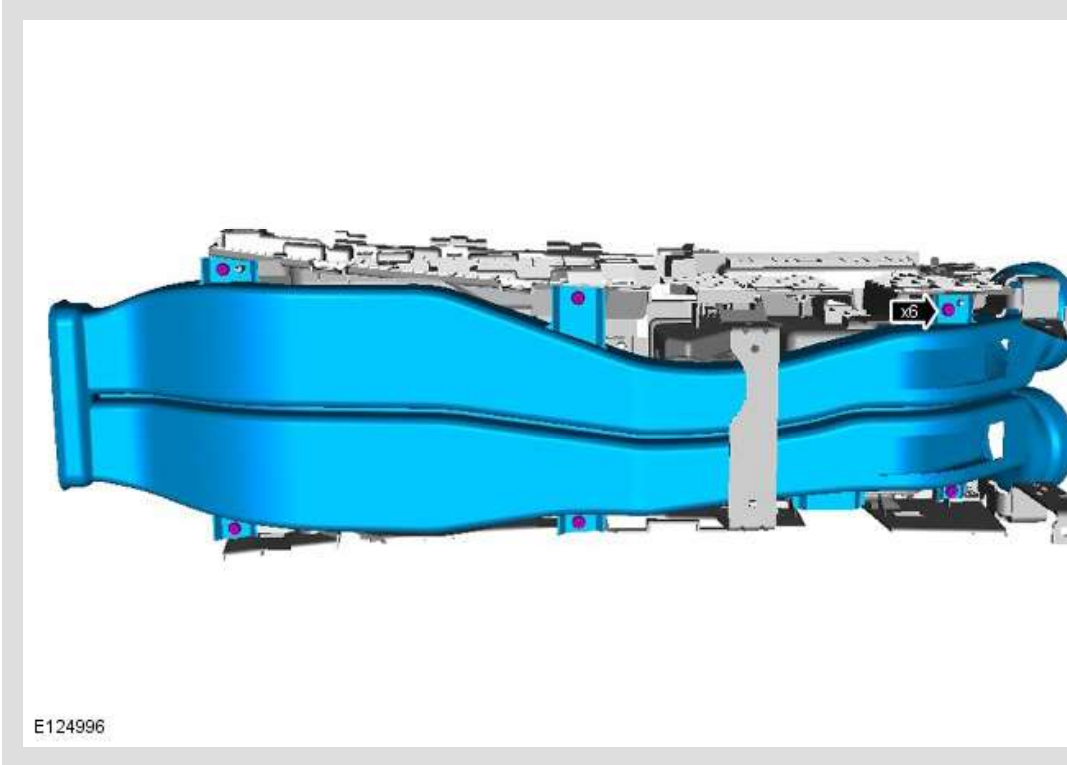
Torque: 5 Nm

20.

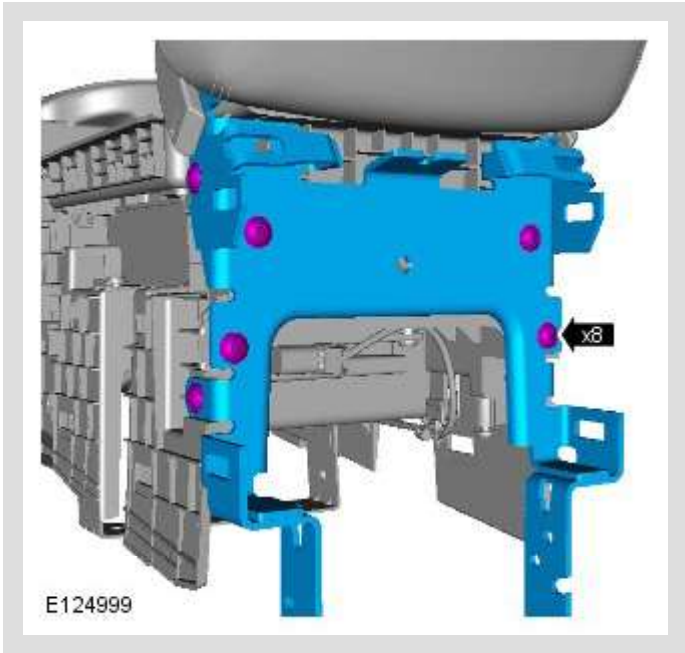


NOTE:

Do not disassemble further if the component is removed for access only.

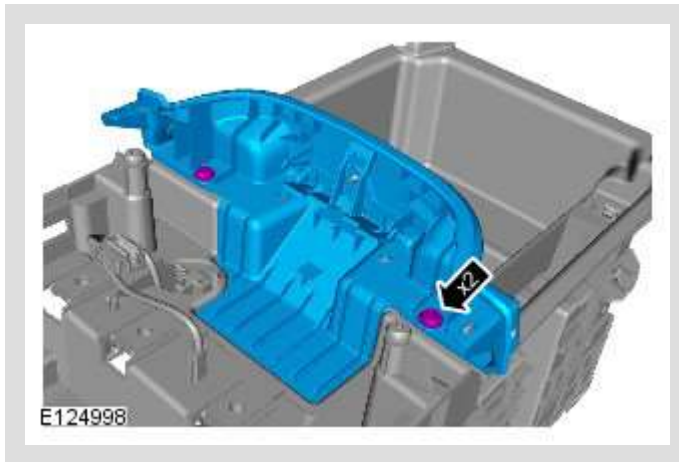


21.



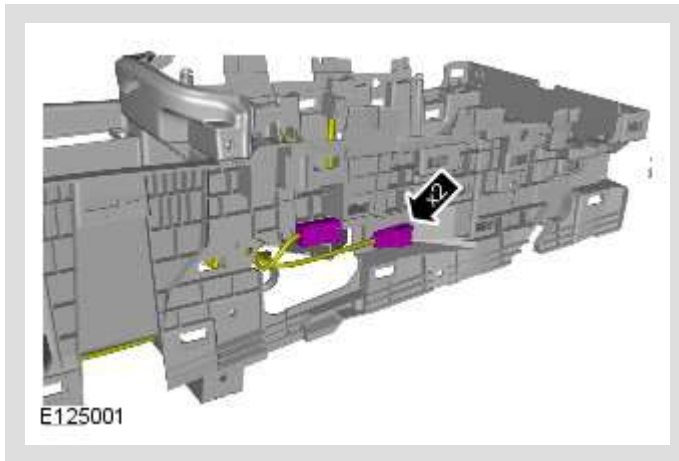
Torque: 5 Nm

22.

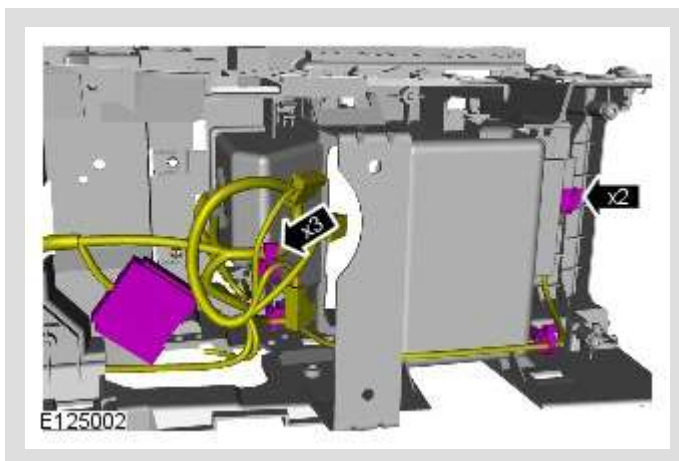


Torque: 1 Nm

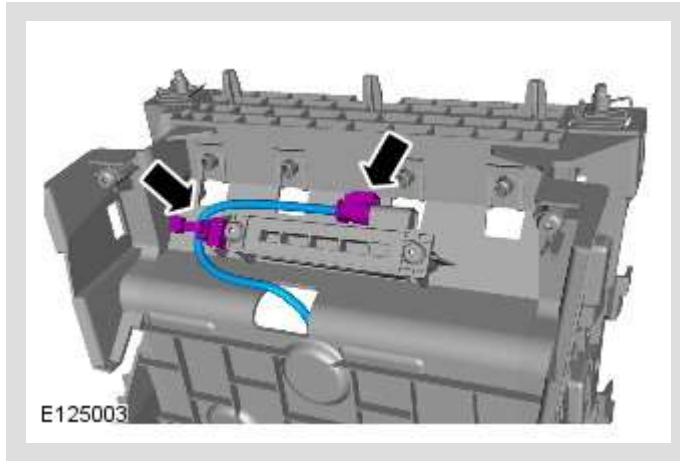
23.



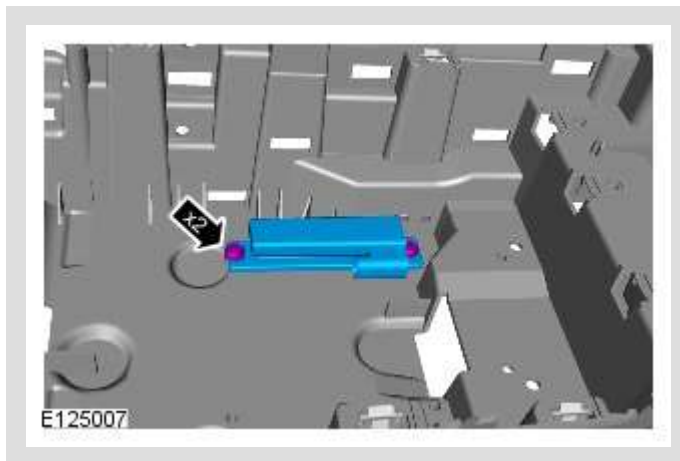
24.



25.

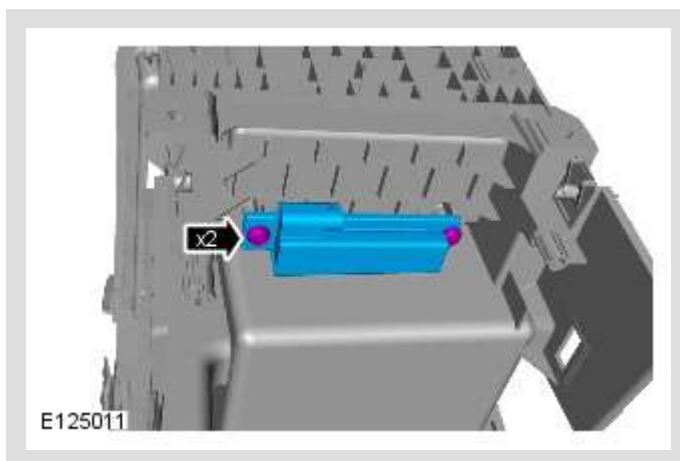


26.



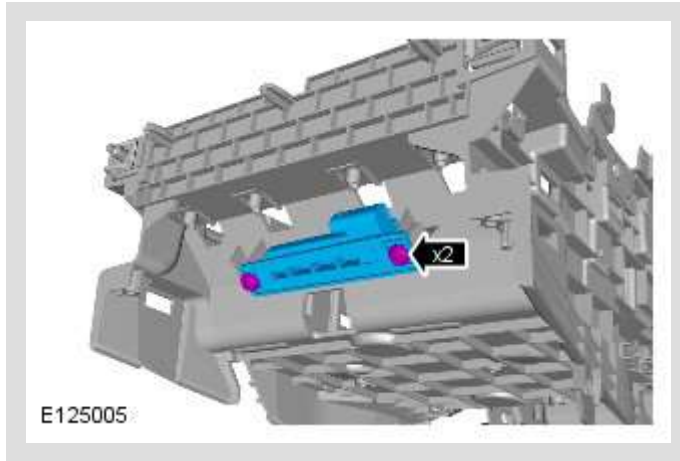
Torque: 1 Nm

27.



Torque: 1 Nm

28.



Torque: 1 Nm

INSTALLATION

1. To install, reverse the removal procedure.