
 NOTE: Make sure that both the positive and negative battery terminals are correctly located.

4. Lower the luggage compartment floor covering.

5.  NOTE: This step is only necessary when installing a new component.

Using the Jaguar approved diagnostic equipment, reset the battery monitoring system.

6. Refer to: [Door Window Motor Initialization](#) (501-11 Glass, Frames and Mechanisms, General Procedures).

7. Enter the audio unit preset radio frequencies.

8. Reset the clock to the correct time.

9. Start the engine and allow to idle until the engine reaches normal operating temperature.


10. Switch the engine off.

Published: 11-May-2011

Vehicle Dynamic Suspension - Ride Height Adjustments

General Procedures

Special Tool(s)

 <p>204-484</p>	<p>Ride height gauge. 204-484</p>
--	---------------------------------------

CAUTIONS:



Make sure the wheels and tires, tie rod ends, suspension joints and wheel bearings are free from damage, wear and free play.



Make sure there are no heavy objects in the vehicle.



The ride height must be measured with the vehicle weight supported by the suspension.



With the engine running and all vehicle doors closed, make sure the air suspension is functioning and the vehicle height can be raised and lowered using the air suspension switch.



Drive the vehicle on to a flat, level surface.



Make sure the steering is in the straight ahead position.



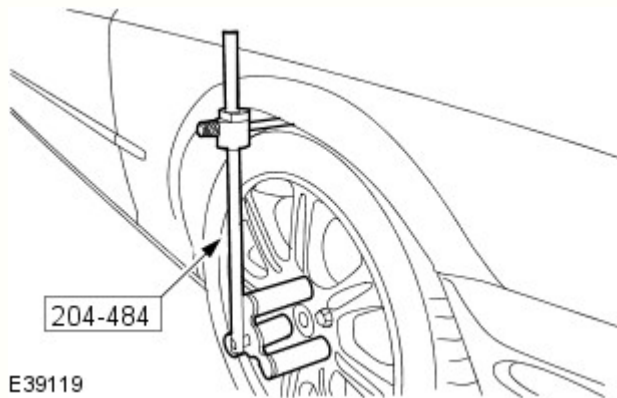
NOTE: This procedure must be carried out after replacement of the air suspension control module, removal or replacement of a height sensor, removal or replacement of the front or rear suspension arms, replacement of body panels incorporating suspension fixing points.

1.



CAUTION: Make sure the vehicle is not moved once it has been positioned to take measurements.

Position the vehicle on a flat level surface.



2. NOTES:



Make sure the fender splash shields are correctly fitted.



Fit special tool 204-484 as illustrated.



Make sure the special tool is square to the wheel face with the measuring rod in a vertical position.



Take the measurement from the top edge of the slider on the special tool.

Using the Jaguar approved diagnostic system carry out the ride height adjustments.