

TECHNICAL BULLETIN



© Jaguar Land Rover Limited

All rights reserved.

This reissue replaces all previous versions. Please destroy all previous versions.

This bulletin supersedes TSB JTB00380v6/2016 dated 25 JUL 2016, which should either be destroyed or clearly marked to show it is no longer valid (e.g. with a line across the page). Only refer to the electronic version of this Technical Bulletin in TOPIx.

Changes are highlighted in blue

SECTION:

412-00

SUBJECT/CONCERN:

Poor Air Conditioning (A/C) Performance.

AFFECTED VEHICLE RANGE:

XK Range (X150)	2010-2015	B32753-B56794	Castle Bromwich
F-TYPE (X152)	2014 Onwards	K00103 Onwards	Castle Bromwich
XJ Range (X351)	2010 Onwards	V00325 Onwards	Castle Bromwich
XF (X250)	2012-2015	T00001-T03748	
XF (X250)	2010-2015	R59504-U88785	Castle Bromwich
XE (X760)	2016 Onwards	995000 Onwards	
XE (X760)	2016 Onwards	900000 Onwards	Solihull
F-PACE (X761)	2017 Onwards	045000 Onwards	Solihull
XF (X260)	2016 Onwards	Y00001 Onwards	Castle Bromwich
XE (X760)	2017 Onwards	P00001 Onwards	Castle Bromwich

MARKETS:

ASIA PACIFIC; CHINA; EUROPE; JAPAN; MENA; OVERSEAS

CONDITION SUMMARY:

SITUATION:

Poor Air Conditioning (A/C) performance. **This version has been issued for a change to the affected vehicle range.**

CAUSE:

Low pressure recorded on the high pressure system. High pressure recorded on the low pressure system. Compressor clutch (where applicable) not working properly. A/C compressor electronic control valve worn out or sticking. **Suggested Customer concern code CC8.**

ACTION:

Should a Customer express concern, follow the Service Instruction outlined below.

PARTS:

	See Table 1	0
--	-------------	---

WARRANTY:

Table 1

XF (X250) 3.0 TDV6, 2.2L 2.0L GTDi and 5.0L, 3.0L	C2D42376
XK (X150) 5.0L (Up to VIN B52040)	C2D42376
XK (X150) 5.0L (From VIN B52041)	C2D51357
XJ (X351) 5.0L, 3.0L and 2.0L GTDi (Up to VIN V58602)	C2D42376
XJ (X351) 5.0L, 3.0L and 2.0L GTDi (From VIN V58603)	C2D51357
XJ (X351) 3.0L TDV6	C2D42376
F-Type (X152) 5.0L and 3.0L	C2D51357
XE (X760)	C2D51357
XF (X260)	C2D51357
F-PACE (X761)	C2D51357

DDW/WASP requires the use of causal part numbers. Labor only claims must show the causal part number with a quantity of zero.

- Repair procedures are under constant review, and therefore times are subject to change; those quoted here must be taken as guidance only. Always refer to TOPIx to obtain the latest repair time.
- DDW requires the use of causal part numbers. Labor only claims must show the causal part number with a quantity of zero.

XF (X250) 3.0 TDV6 Direct Pressure Sensing (DPS) electronic control valve - renew	82.10.14	1.6	63	C2D42376
XF (X250) 2.0 GTDi Direct Pressure Sensing (DPS) electronic control valve - renew	82.10.14	2.0	63	C2D42376
XF (X250) 3.0L (AJ-V6) Direct Pressure Sensing (DPS) electronic control valve - renew	82.10.14	0.7	63	C2D42376
XF (X250) 3.0L (AJ-V6) (AJ126 Supercharged 2WD) Direct Pressure Sensing (DPS) electronic control valve - renew	82.10.14	0.9	63	C2D42376
XF (X250) 3.0L (AJ-V6) (AJ126 Supercharged 4WD) Direct Pressure Sensing (DPS) electronic control valve - renew	82.10.14	0.9	63	C2D42376
XF (X250) 5.0L Direct Pressure Sensing (DPS) electronic control valve - renew	82.10.14	0.8	63	C2D42376
XF (X250) 2.2 (TD4) Direct Pressure Sensing (DPS) electronic control valve - renew	82.10.14	1.1	63	C2D42376
XK (X150) 5.0L Direct Pressure Sensing (DPS) electronic control valve - renew	82.10.14	0.8	63	C2D42376
XK (X150) 5.0L Direct Pressure Sensing (DPS) electronic control valve - renew	82.10.14	0.8	63	C2D51357
XJ (X351) 3.0 TDV6 Direct Pressure	82.10.14	2.1	63	C2D42376

Sensing (DPS) electronic control valve - renew				
XJ (X351) 2.0 GTDi Direct Pressure Sensing (DPS) electronic control valve - renew	82.10.14	2.1	63	C2D42376
XJ (X351) 3.0L SC Direct Pressure Sensing (DPS) electronic control valve - renew	82.10.14	1.1	63	C2D42376
XJ (X351) 5.0L Direct Pressure Sensing (DPS) electronic control valve - renew	82.10.14	1.1	63	C2D42376
XJ (X351) 2.0 GTDi Direct Pressure Sensing (DPS) electronic control valve - renew	82.10.14	2.1	63	C2D51357
XJ (X351) 3.0L TDV6 Direct Pressure Sensing (DPS) electronic control valve - renew	82.10.14	2.1	63	C2D51357
XJ (X351) 3.0L SC Direct Pressure Sensing (DPS) electronic control valve - renew	82.10.14	1.1	63	C2D51357
XJ (X351) 5.0L Direct Pressure Sensing (DPS) electronic control valve - renew	82.10.14	1.1	63	C2D51357
F-Type (X152) Direct Pressure Sensing (DPS) electronic control valve - renew	82.10.14	1.6	63	C2D51357
XF (X260) 2.0 GTDi Direct Pressure Sensing (DPS) electronic control valve - renew	82.10.14	1.8	63	C2D42377
XF (X260) 2.0 Ingenium Diesel Direct Pressure Sensing (DPS) electronic control valve - renew	82.10.14	2.2	63	C2D42377
XF (X260) 3.0 TDV6 Direct Pressure Sensing (DPS) electronic control valve - renew	82.10.14	3.2	63	C2D42377
XF (X260) 3.0L SC Direct Pressure Sensing (DPS) electronic control valve - renew	82.10.14	1.1	63	C2D42377
XE (X760) 2.0 GTDi Direct Pressure Sensing (DPS) electronic control valve - renew	82.10.14	1.8	63	C2D42377
XE (X760) 2.0 Ingenium Diesel Direct	82.10.14	2.4	63	C2D42377

Pressure Sensing (DPS) electronic control valve - renew				
XE (X760) 3.0L SC Direct Pressure Sensing (DPS) electronic control valve - renew	82.10.14	1.2	63	C2D42377
F-PACE (X761) 2.0 GTDI Direct Pressure Sensing (DPS) electronic control valve - renew	82.10.14	1.6	63	C2D42377
F-PACE (X761) 2.0 Ingenium Diesel Direct Pressure Sensing (DPS) electronic control valve - renew	82.10.14	2.0	63	C2D42377
F-PACE (X761) 3.0L TDV6 Direct Pressure Sensing (DPS) electronic control valve - renew	82.10.14	3.0	63	C2D42377
F-PACE (X761) 3.0L SC Direct Pressure Sensing (DPS) electronic control valve - renew	82.10.14	1.2	63	C2D42377

Normal Warranty procedures apply.

The Direct Pressure Sensing (DPS) valve is also known as the electronic control valve.

XF (X250), XK and XJ only.

- 1 Before following the Service Instruction (see TOPIx Workshop Manual, section 412-00 - Climate Control System - General Information - Diagnosis and Testing). Follow the low pressure system pressure too high and high pressure system pressure too low symptom test, if the fault is found go to step 2 and continue with this bulletin.

- 2 Remove the Air Conditioning (A/C) compressor (see TOPlx Workshop Manual, section 412-03).

XE, XF (X260), F-Pace and F-Type only.

-
- 3 Remove the A/C compressor (see TOPlx Workshop Manual, section 412-01).

Follow the control valve replacement procedure - all vehicles.

4

Make sure to avoid foreign materials entering the DPS control valve hole on the cylinder head when the DPS valve is removed.

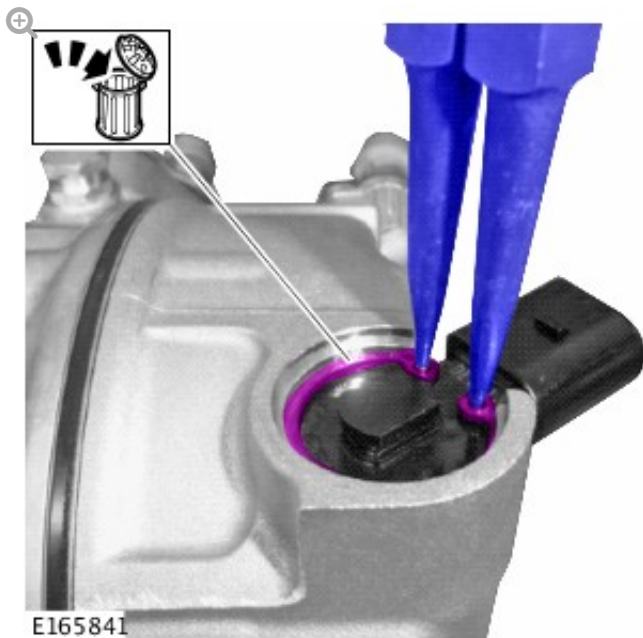


E165840

Using compressed air or similar, remove all foreign materials from around the DPS valve/A/C compressor cylinder head.

5

Make sure not to damage the circlip housing in the A/C compressor cylinder head.

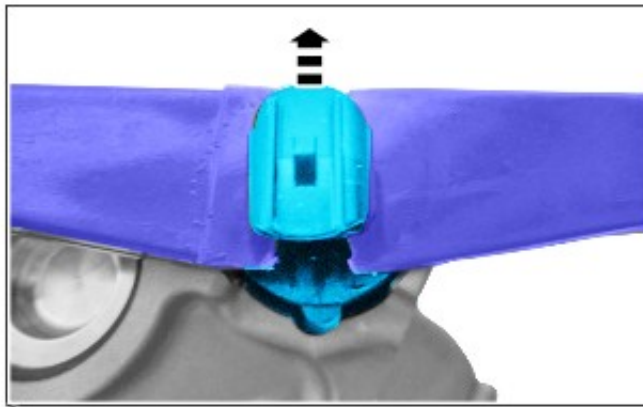


Place the A/C compressor on a clean flat work surface.

- Using a suitable tool, remove and discard the circlip that retains the DPS valve in the A/C compressor cylinder head.

6

Make sure not to damage the housing in the A/C compressor cylinder head.



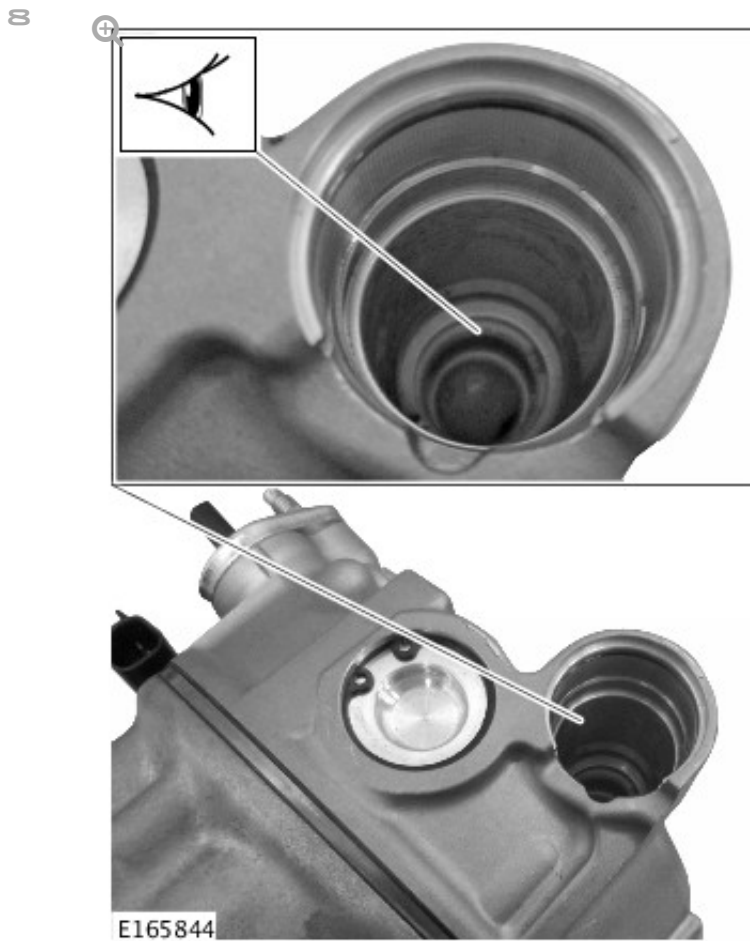
Using suitable tools, release the DPS valve.

7

Take care to remove the DPS valve in a vertical direction to avoid damage to the inside wall of the A/C compressor cylinder head.

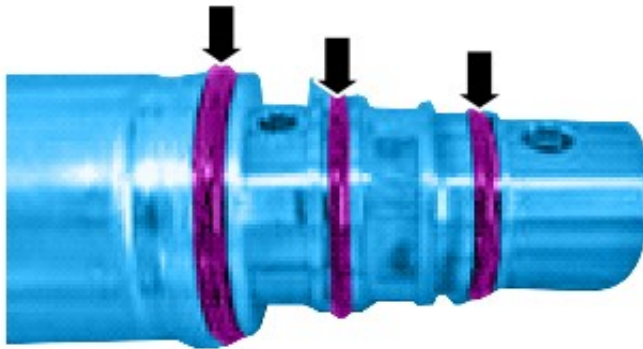


Remove by hand the DPS valve from the A/C compressor cylinder head, and discard.



Inspect the inside wall of the A/C compressor cylinder head for scratches, scoring, or foreign material.

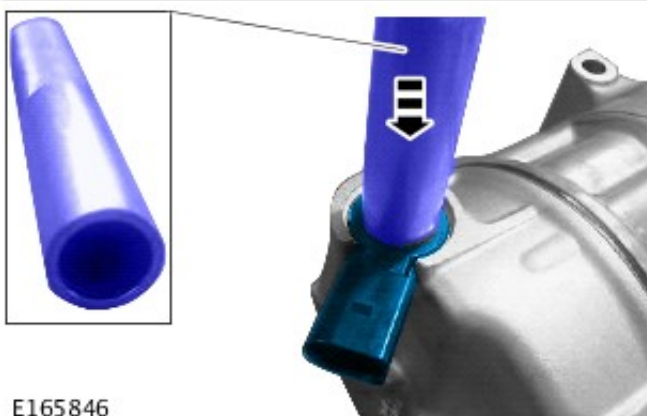
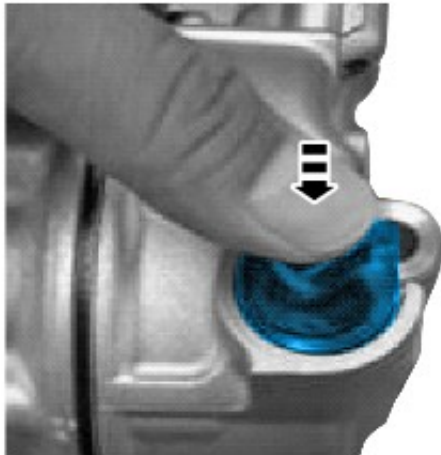
9



E165845

Apply compressor oil (Polyalkylene Glycol (GPA) SPA2 Oil) to the O-rings of the new DPS valve.

10



E165846

Install the DPS valve, apply a downward pressure by hand. Using a suitable tool if required, press fully into position to allow installation of

the new circlip.

11



Using a suitable tool, install the new circlip supplied in the kit.

XF (X250), XK and XJ only.

-
- 12 Install the A/C compressor (see TOPIx Workshop Manual, section 412-03).

XE, XF (X260), F-Pace and F-Type only.

-
- 13 Install the A/C compressor (see TOPIx Workshop Manual, section 412-01).