



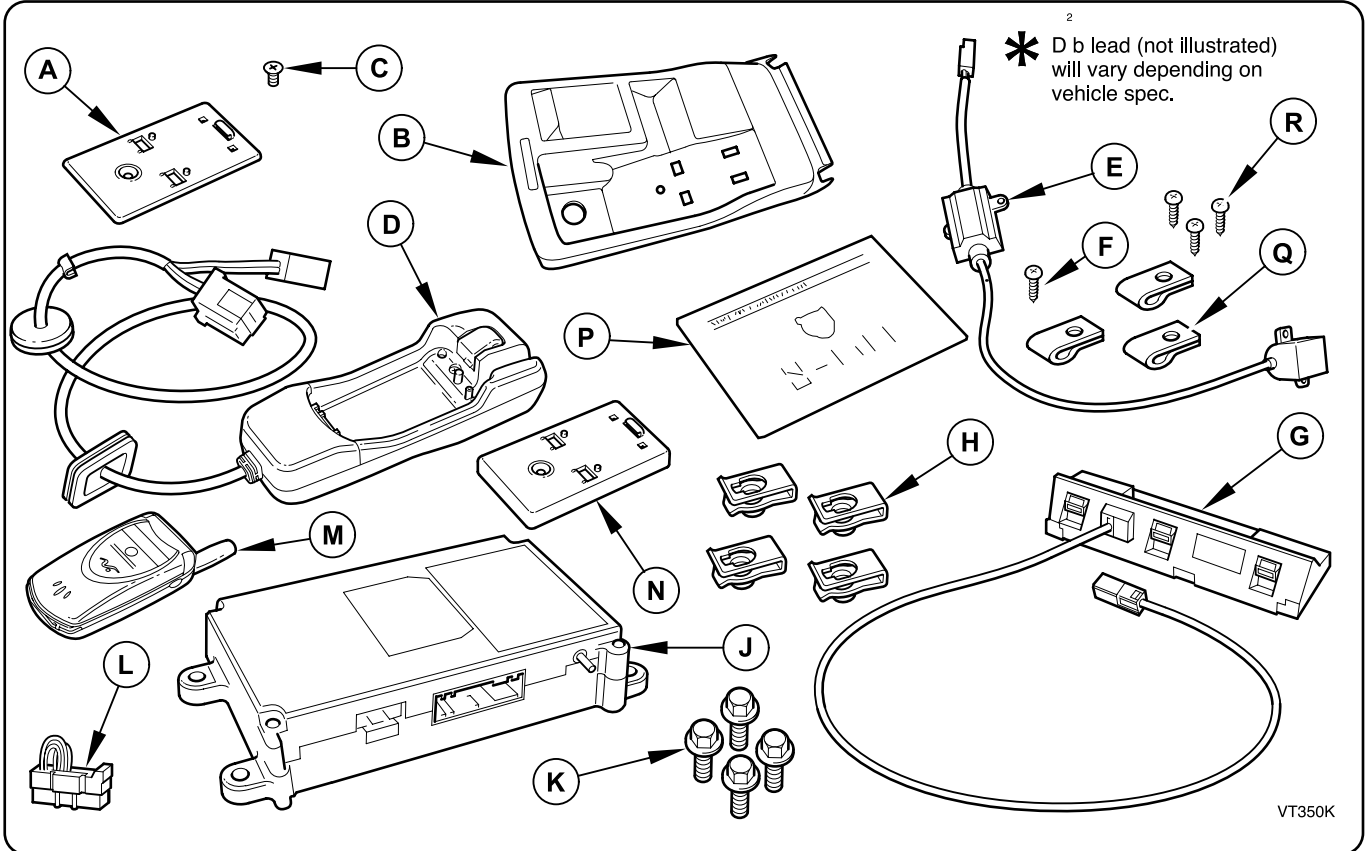
FITTING INSTRUCTIONS

The XJ

The XJ 4 Zone V60i Telephone

The XJ

V60i Telephone



Parts required (Ordered separately)

- A. Thin handset mounting platform
- B. Plinth
- C. Platform mounting screw
- D. Hang up cup
- E. Microphone
- F. Microphone screw
- G. Antenna
- H. Spire clips
- J. Telephone module
- K. Bolts
- L. Electrical shorting loop
- M. Telephone handset
- N. Thick handset mounting platform
(not used)
- P. Telephone handbook
- Q. P-Clips
- R. Screws
- * D²b lead

Note:

- * The D²b lead/leads should also be supplied.
Ensure you have the correct lead/leads before commencing work.

Note:

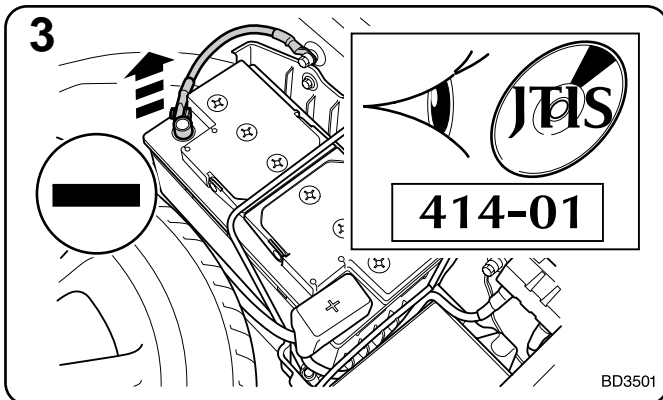
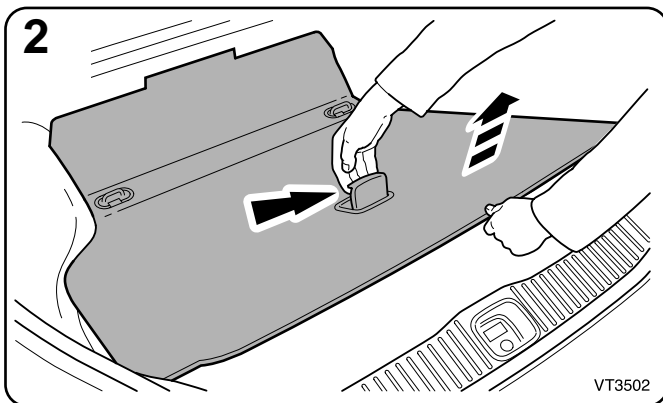
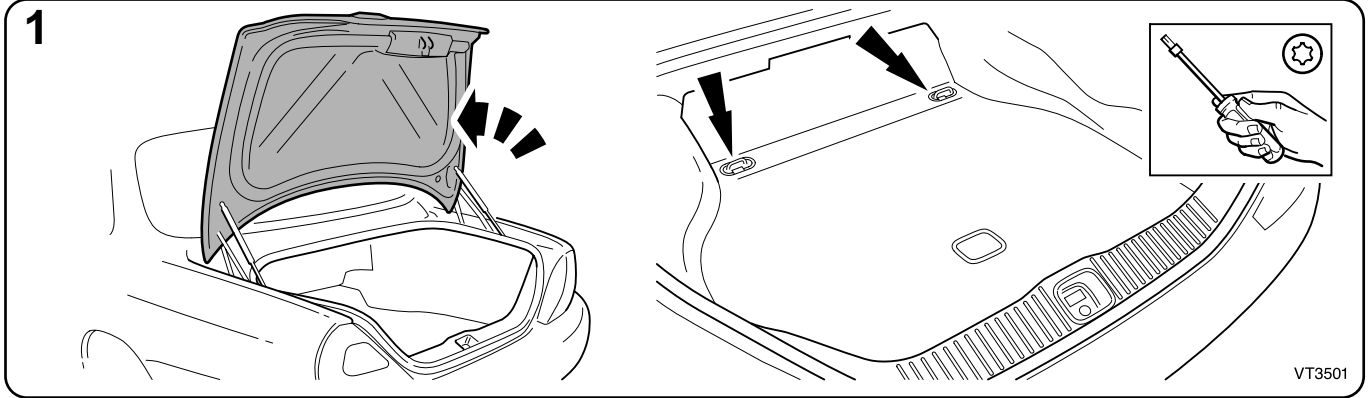
- Parts required will vary depending on vehicle spec.

MY 2003 ➔

Part No. C2C 24712

The XJ

V60i Telephone



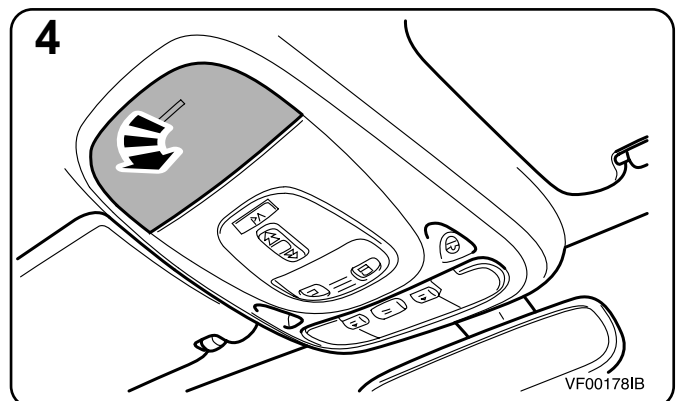
Note:

3. Refer to J.T.I.S / Drivers Handbook to ensure correct operations are carried out, relevant to battery disconnect and reconnect.



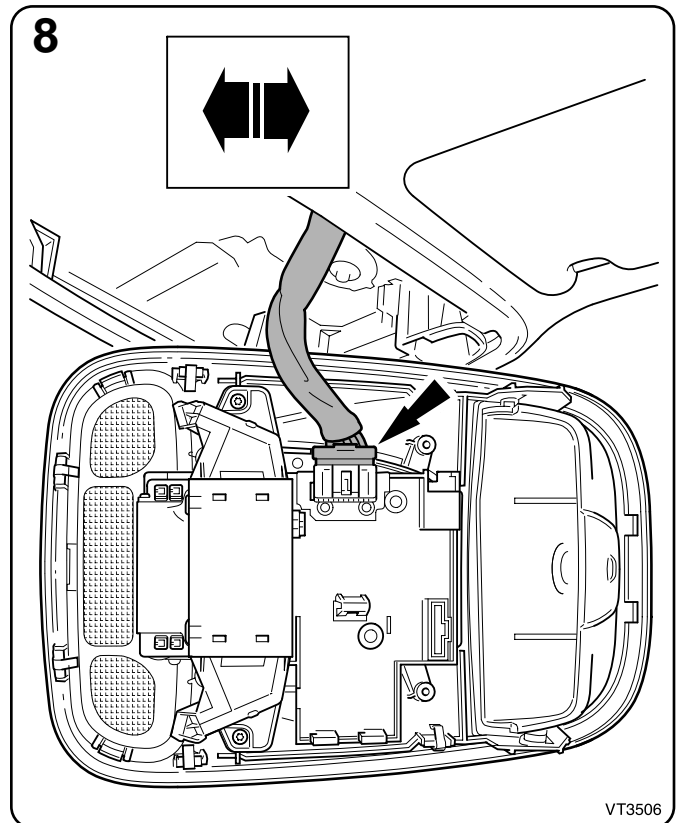
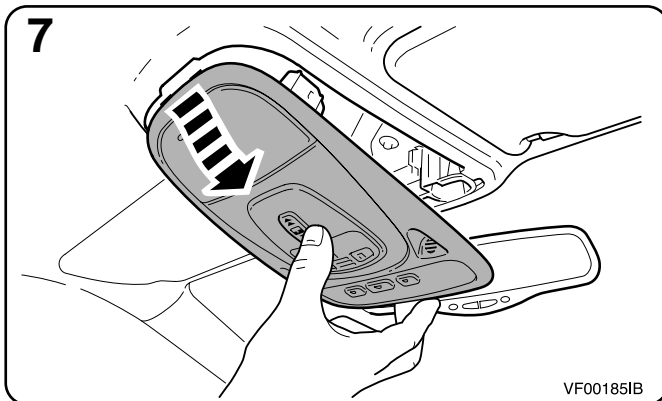
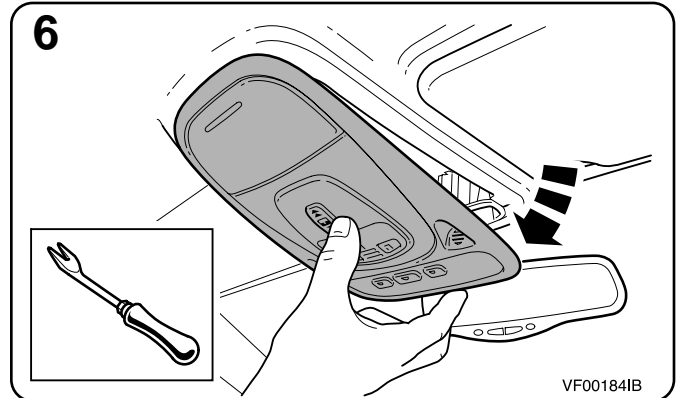
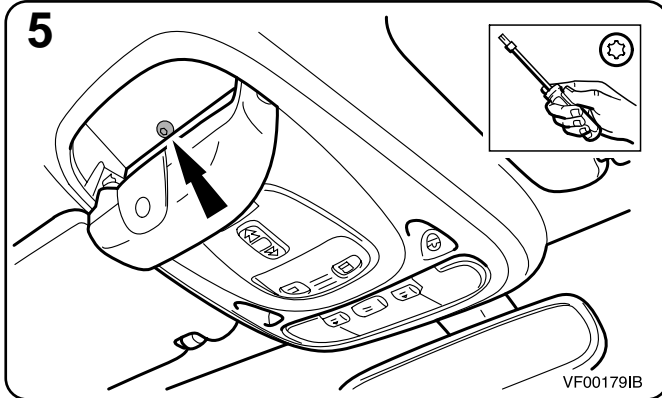
Note:

4-17. Ignore operations 4-17 if the vehicle already has Voice fitted.



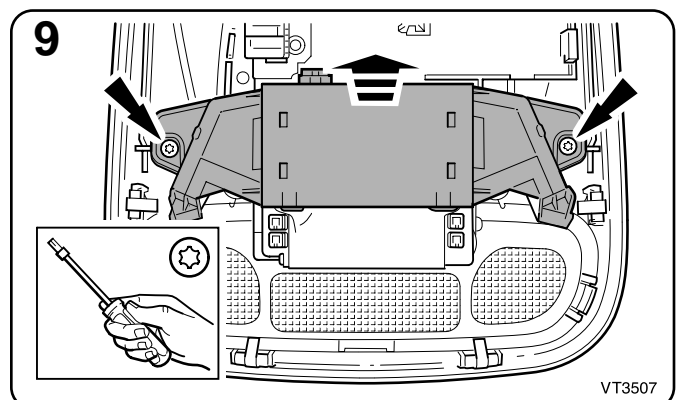
The XJ

V60i Telephone



Note:

9. If fitted.



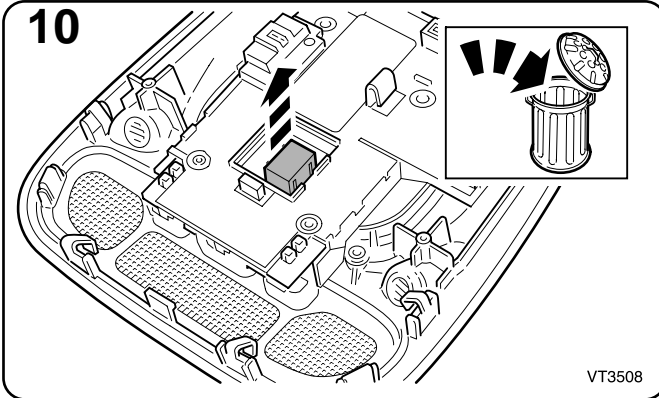
MY 2003 ➔

Part No. C2C 24712

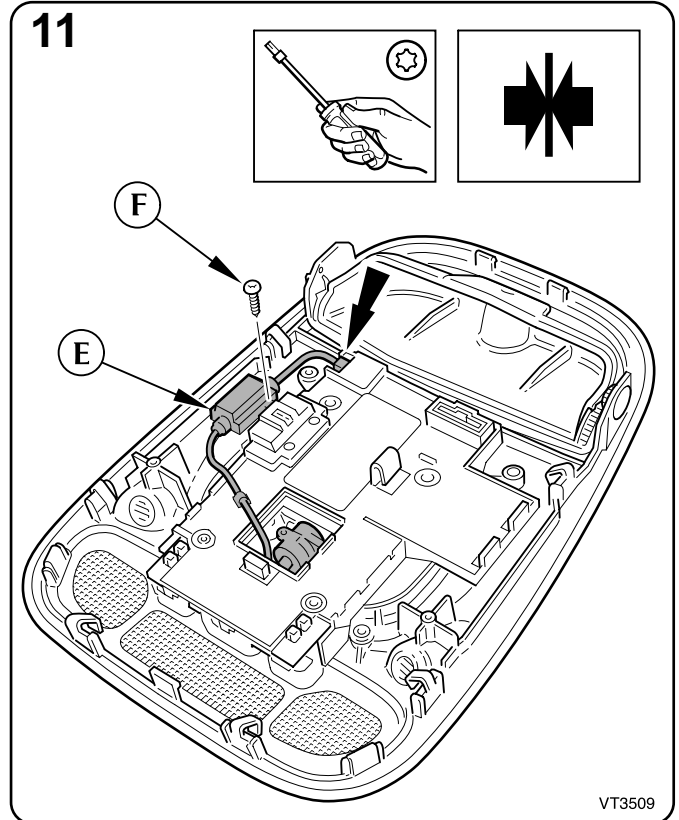
The XJ

V60i Telephone

10



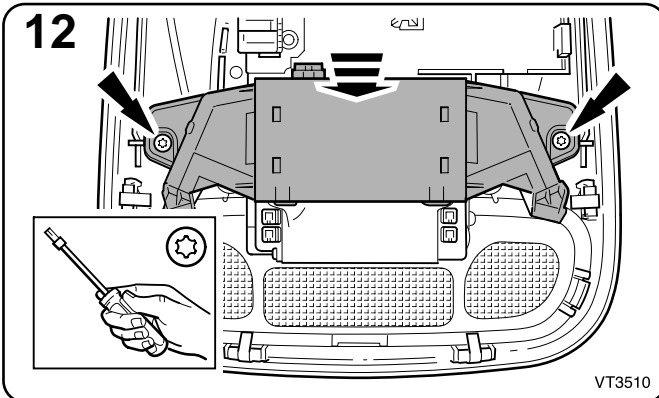
11



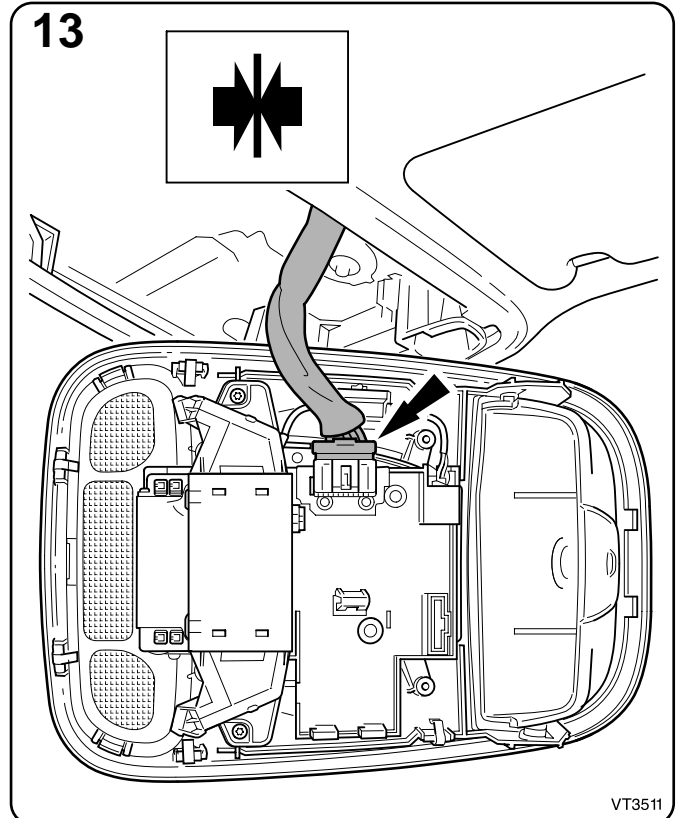
Note:

12. If fitted.

12



13



The XJ

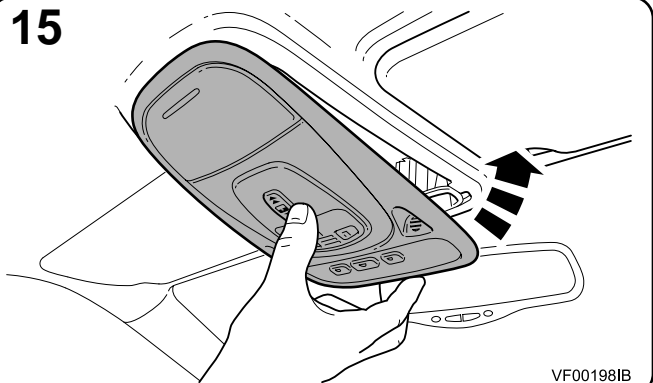
V60i Telephone

14



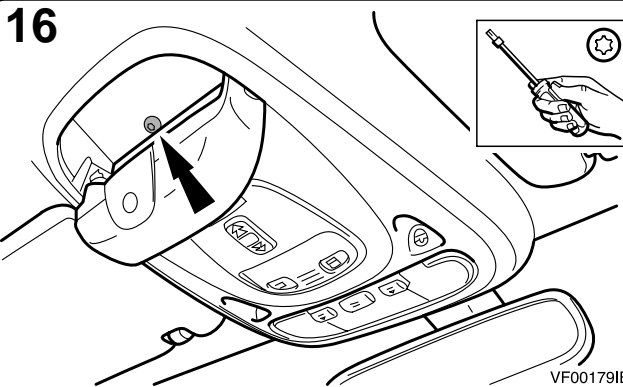
VF001971B

15



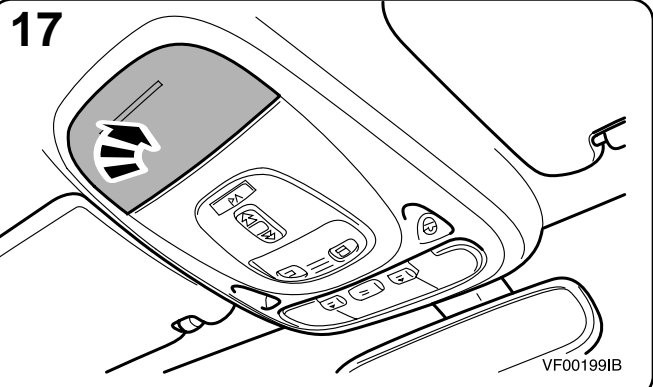
VF001981B

16



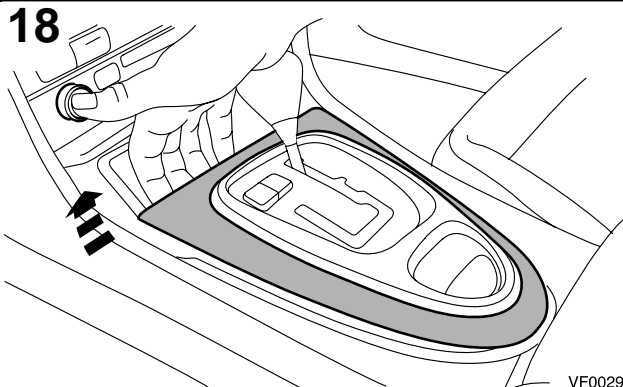
VF001791B

17



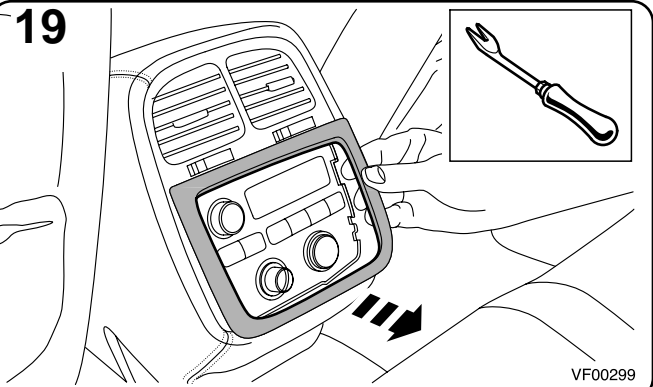
VF001991B

18



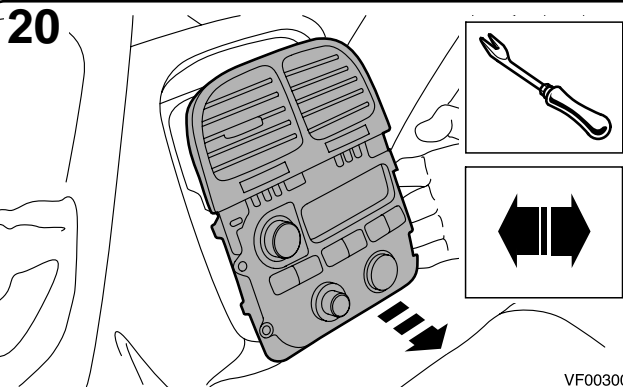
VF00298

19



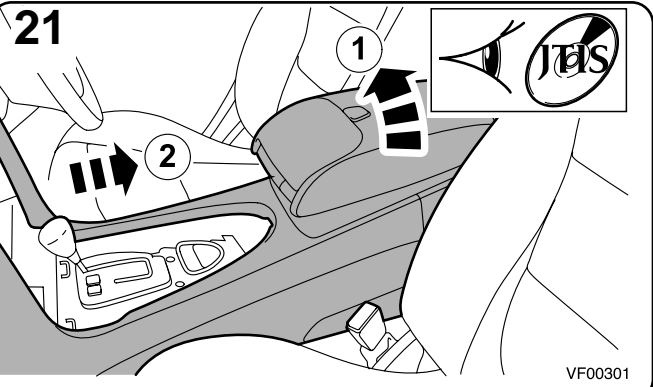
VF00299

20



VF00300

21



VF00301

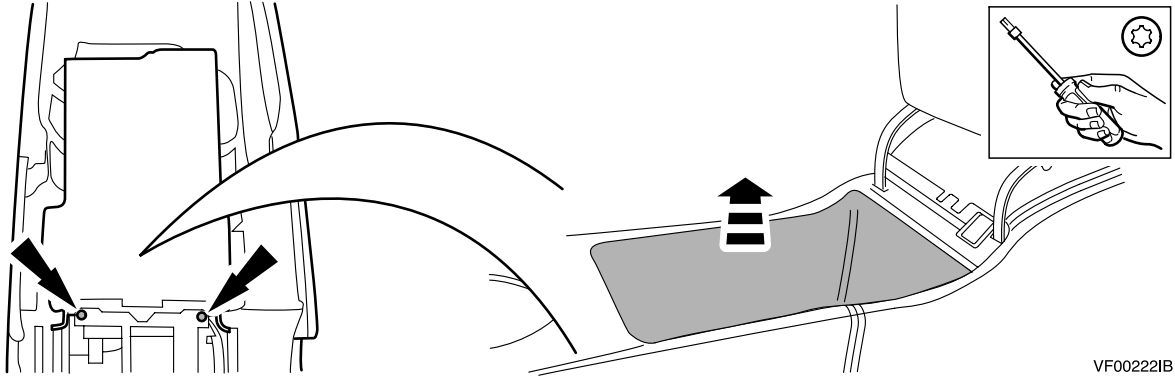
MY 2003 →

Part No. C2C 24712

The XJ

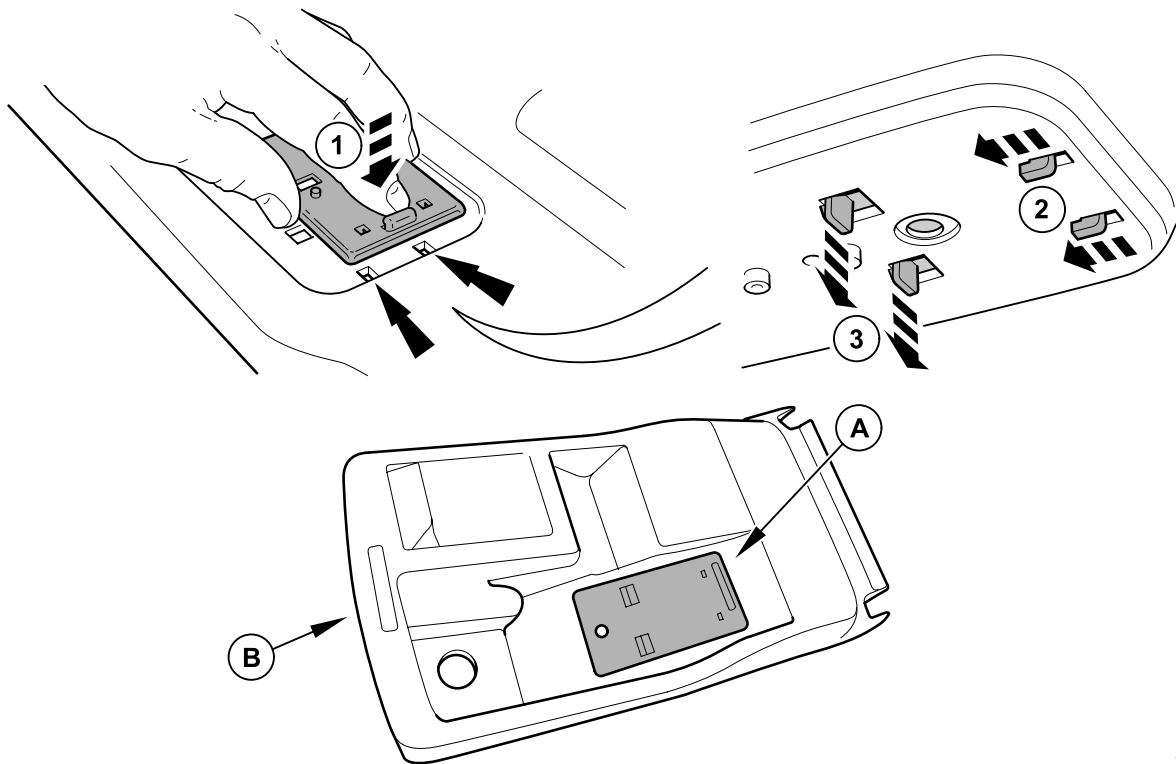
V60i Telephone

22



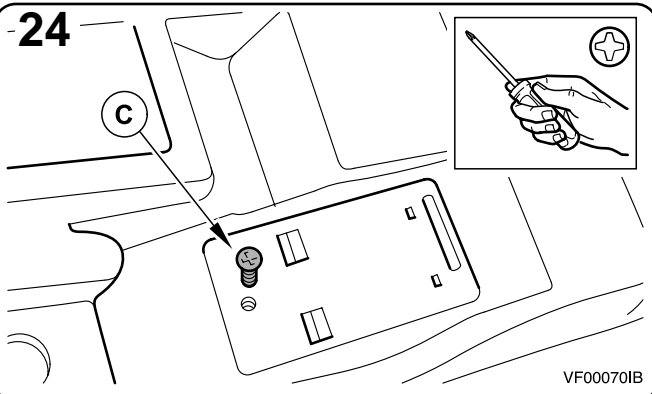
VF002221B

23



VF000691B

24



VF000701B



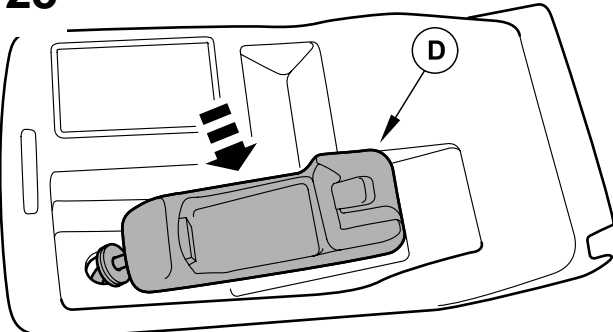
Note:

Remove and discard square grommet from lead on hang up cup.

The XJ

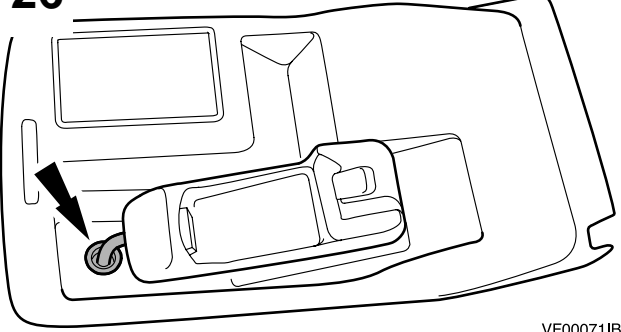
V60i Telephone

25



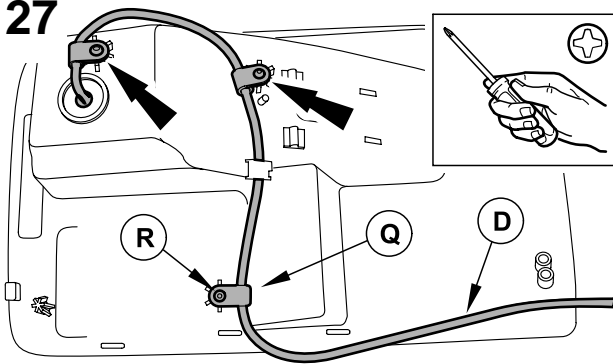
VF00316

26



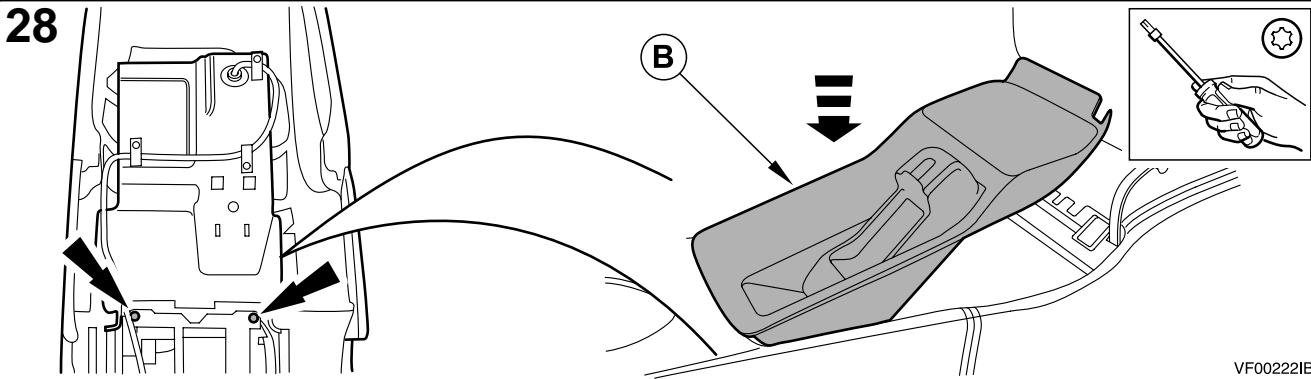
VF00071IB

27



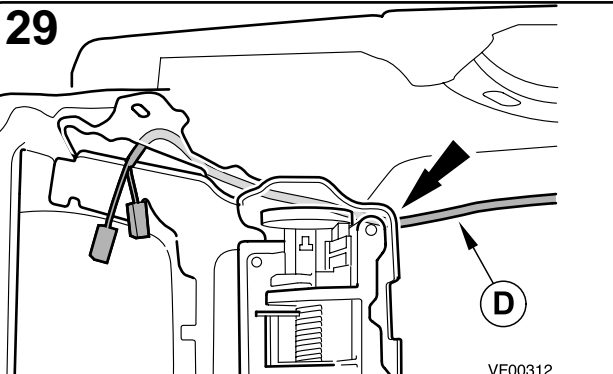
VF00314

28



VF00222IB

29



VF00312

30



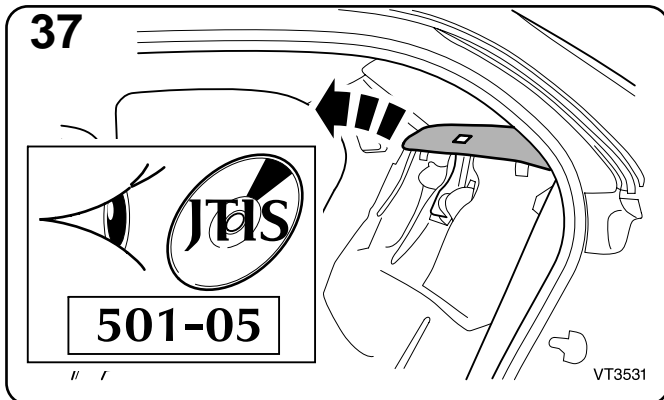
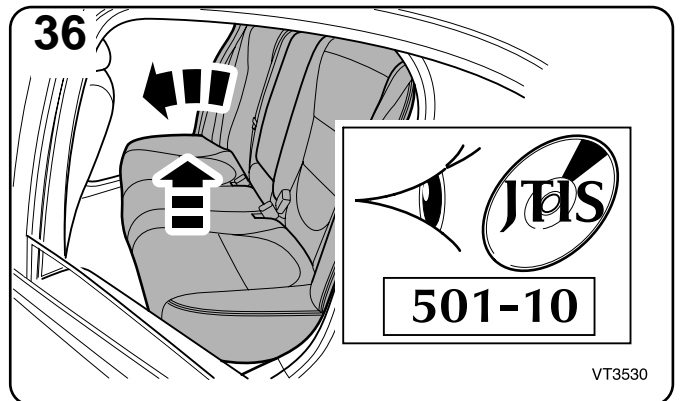
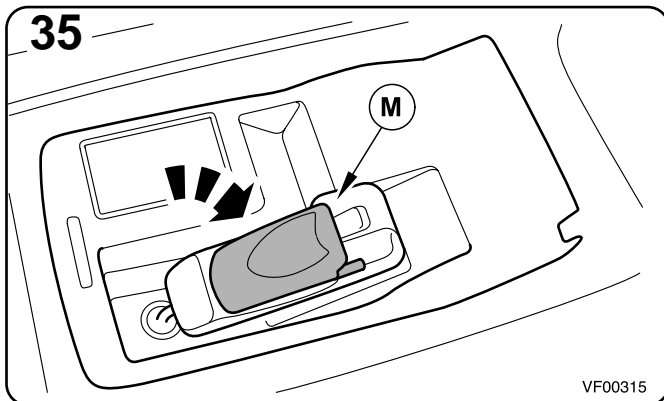
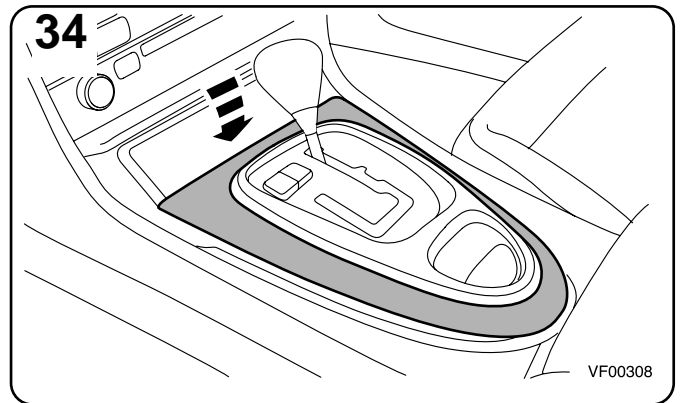
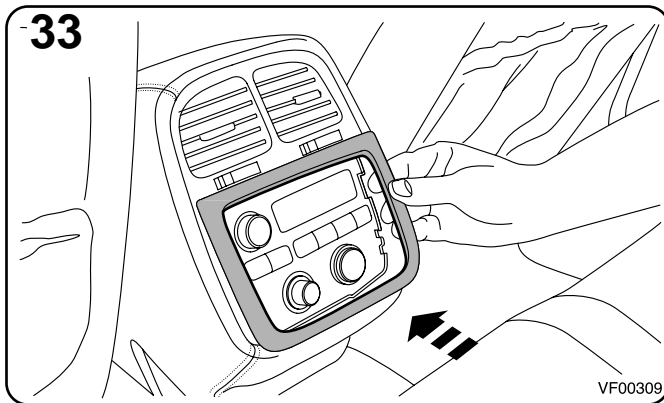
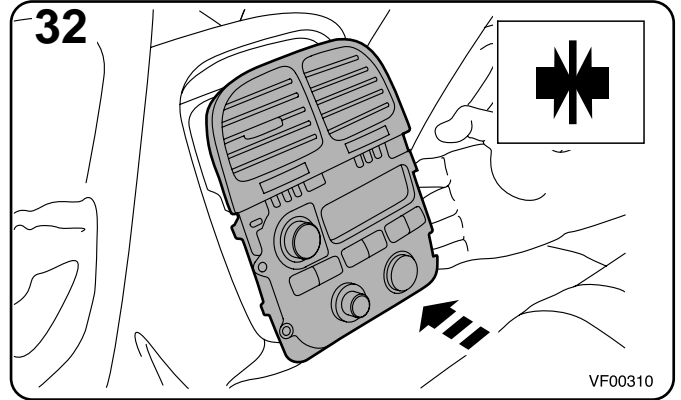
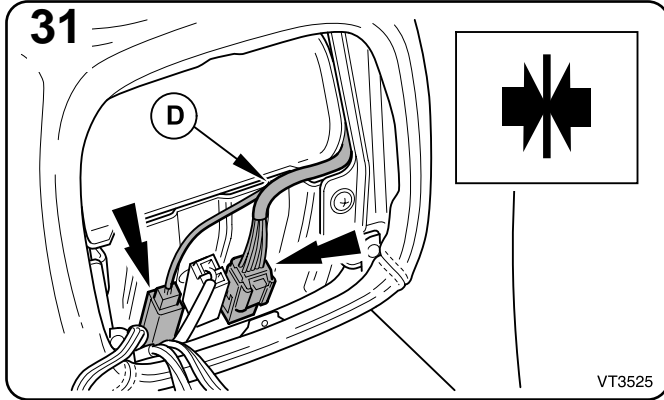
VF00311

MY 2003 →

Part No. C2C 24712

The XJ

V60i Telephone



Notes:

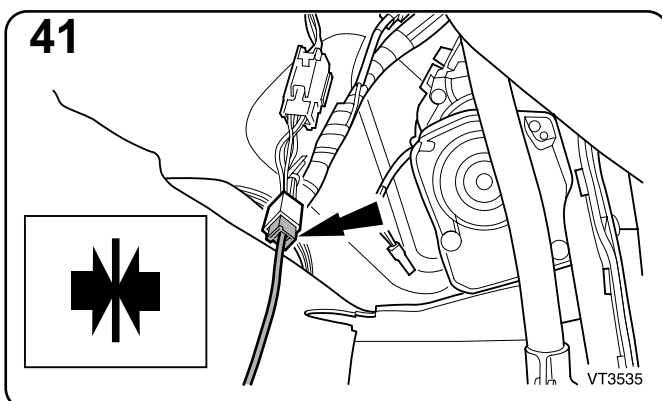
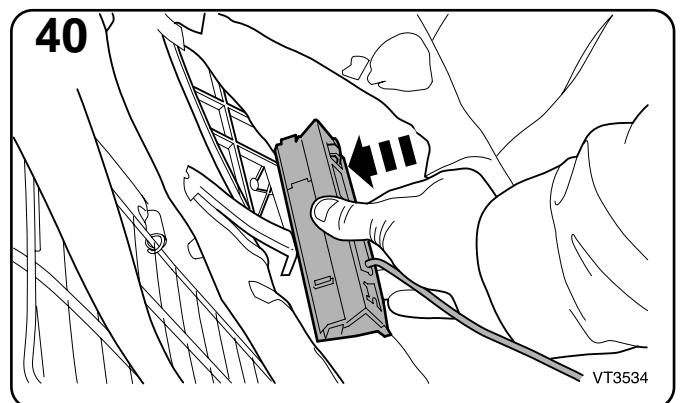
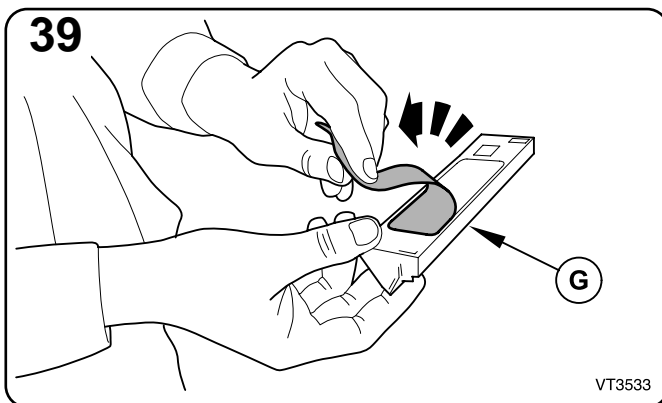
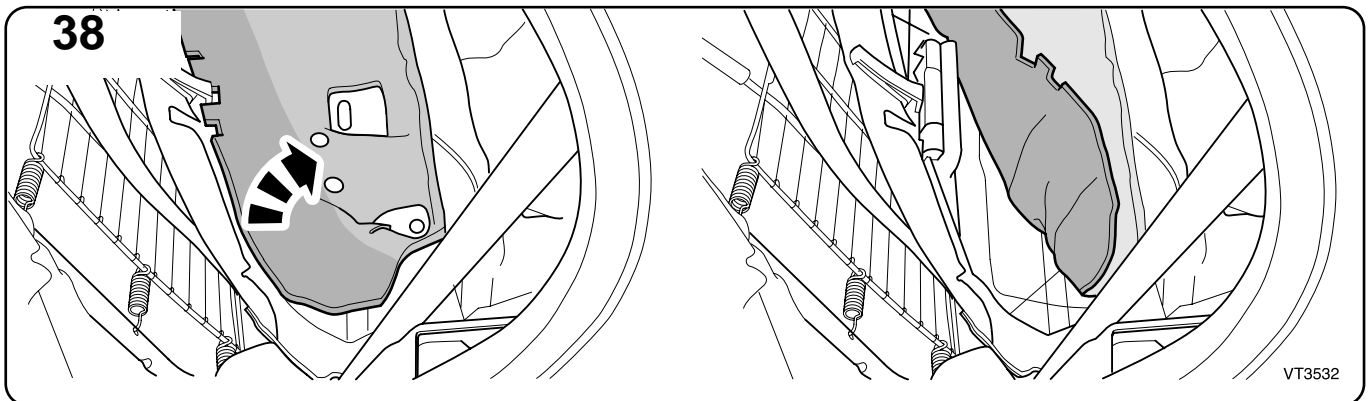
37. Remove parcel shelf.

The XJ

V60i Telephone

Note:

38. Peel back foam on left hand underside of parcel tray to reveal antenna mounting point.



Note:

41. Connect antenna plug to plug on body harness on d/e post.

MY 2003 ➔

Part No. C2C 24712

The XJ

V60i Telephone

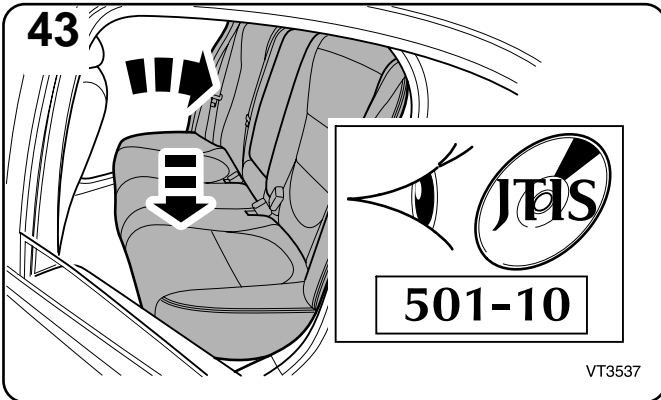
42



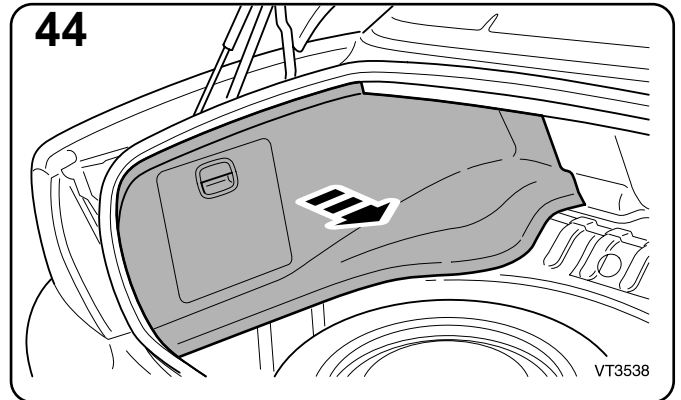
Note:

42. Replace parcel shelf.

43



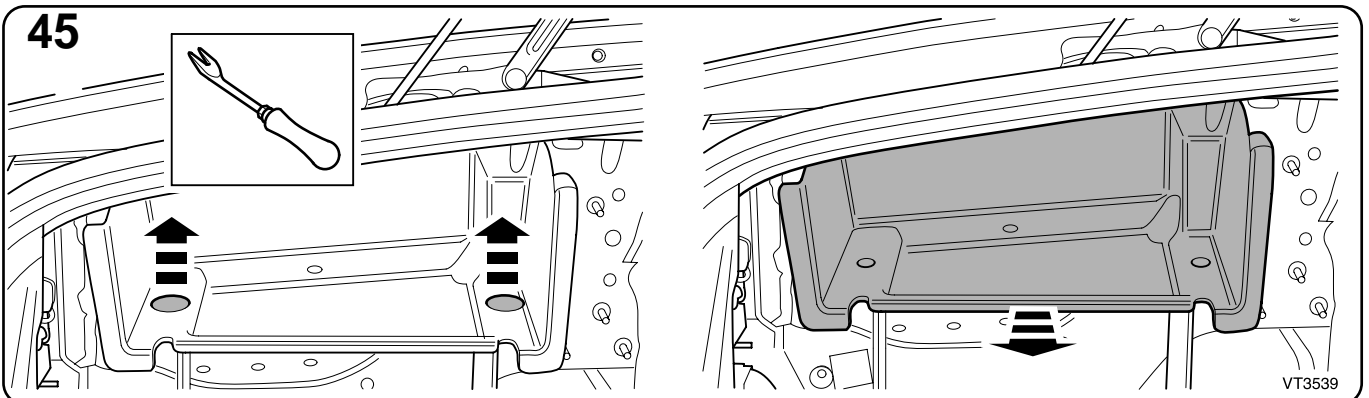
44



Note:

45. If fitted.

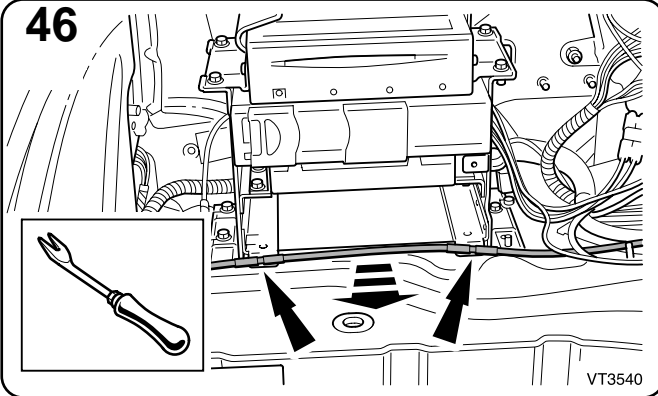
45



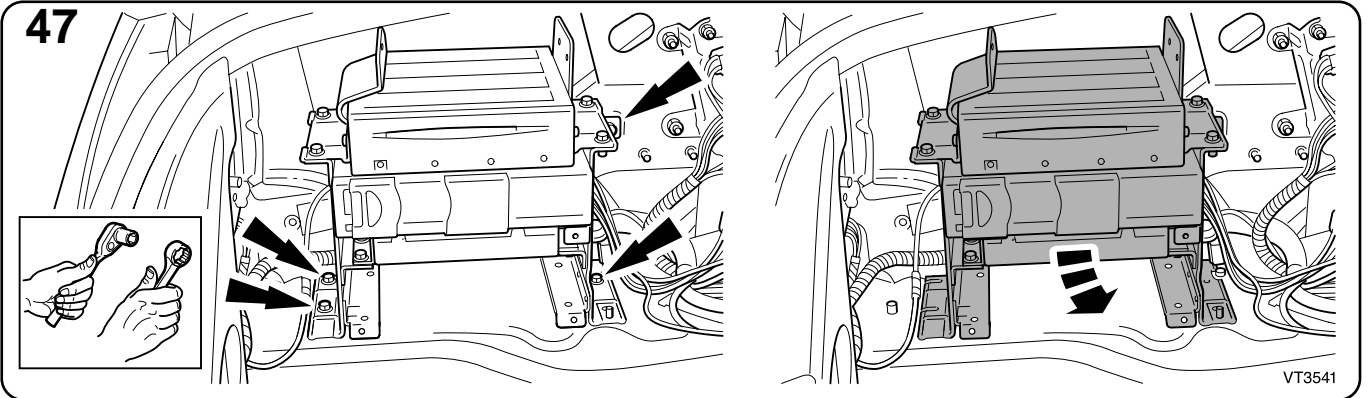
The XJ

V60i Telephone

46



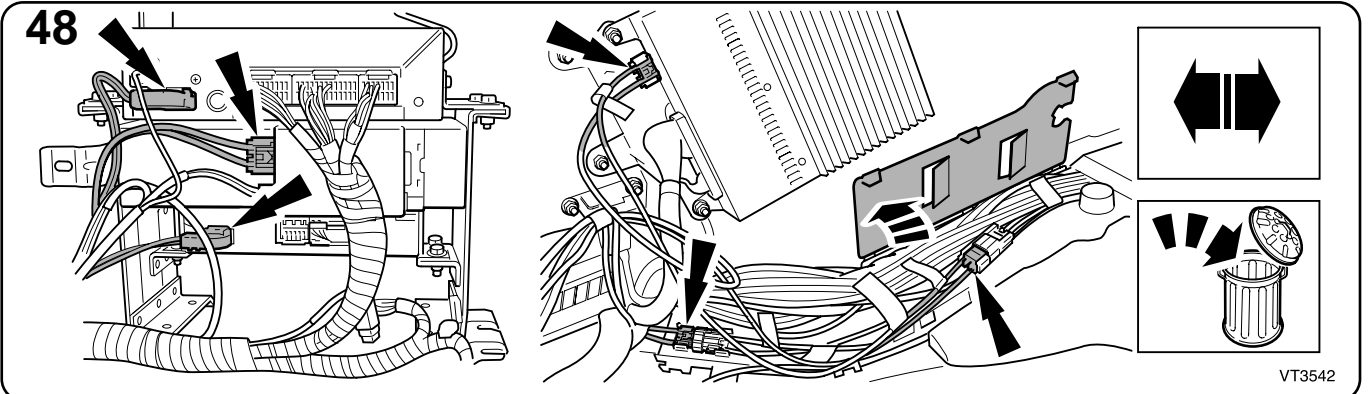
47



Note:

48. Disconnect original d2b lead to all fitted modules and plugs and discard.

48



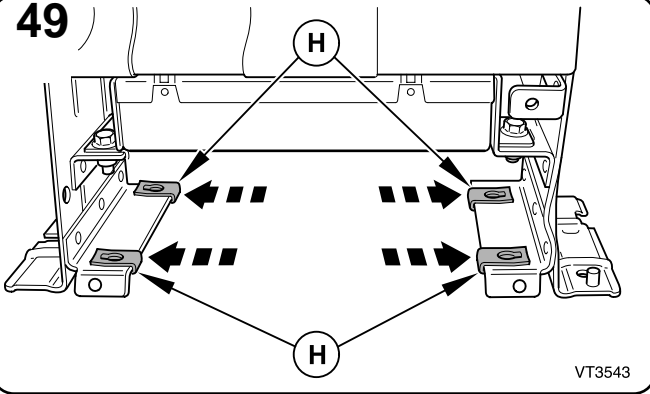
MY 2003 →

Part No. C2C 24712

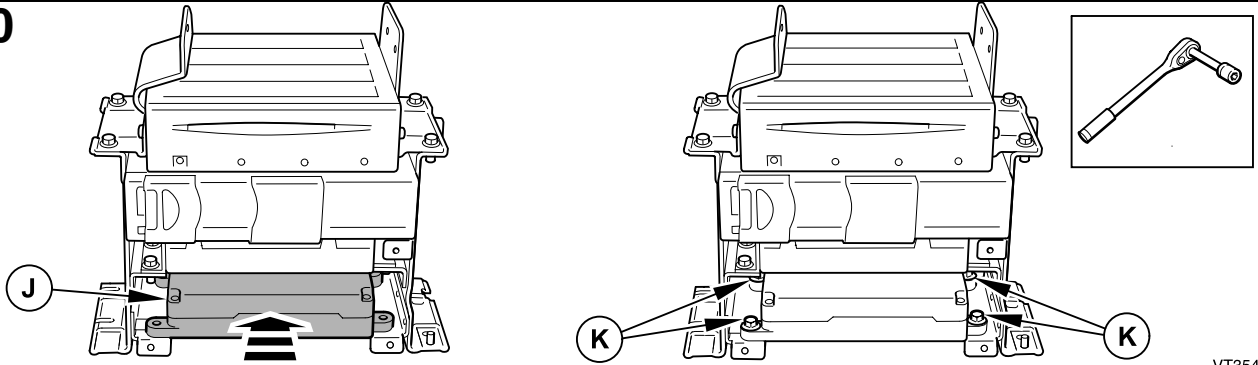
The XJ

V60i Telephone

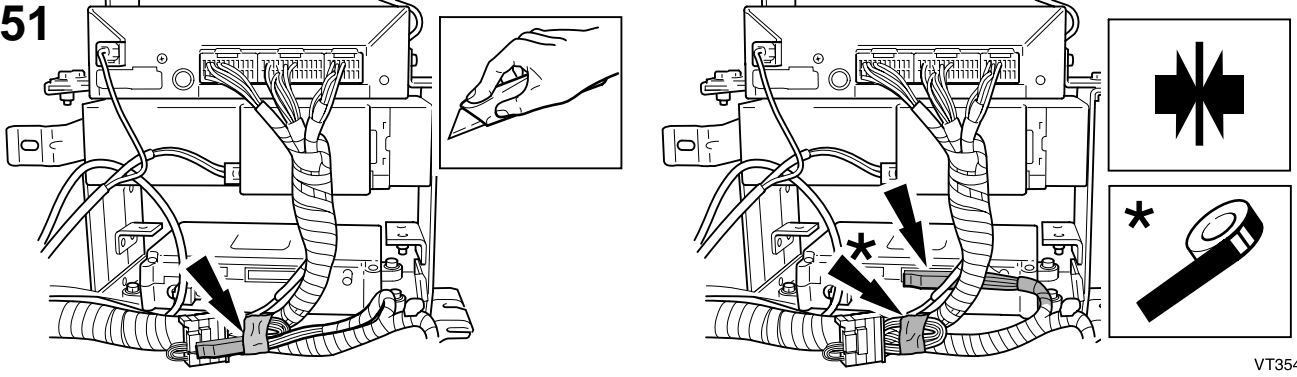
49



50



51



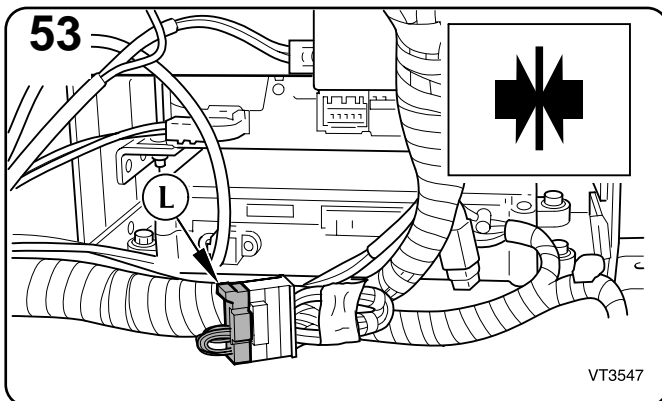
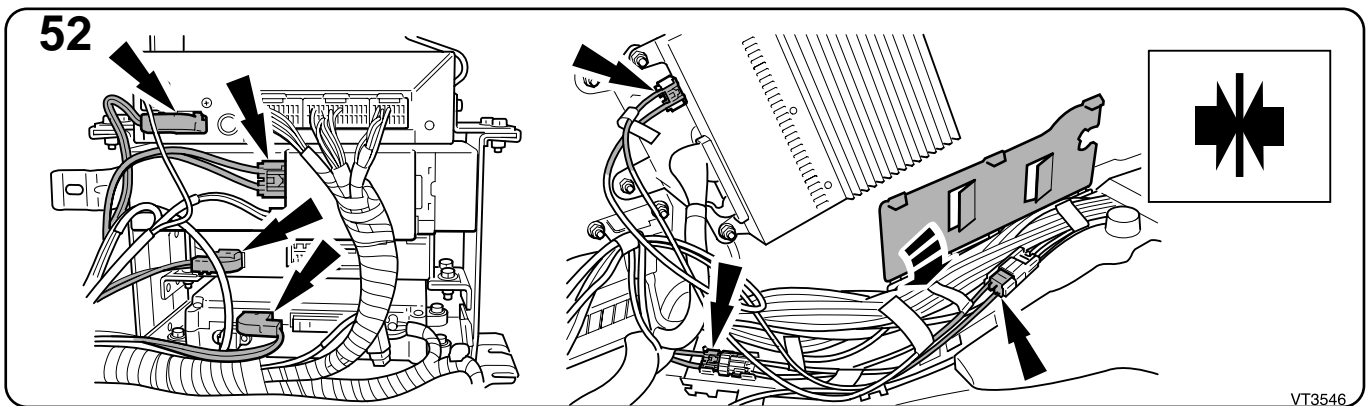
The XJ

V60i Telephone



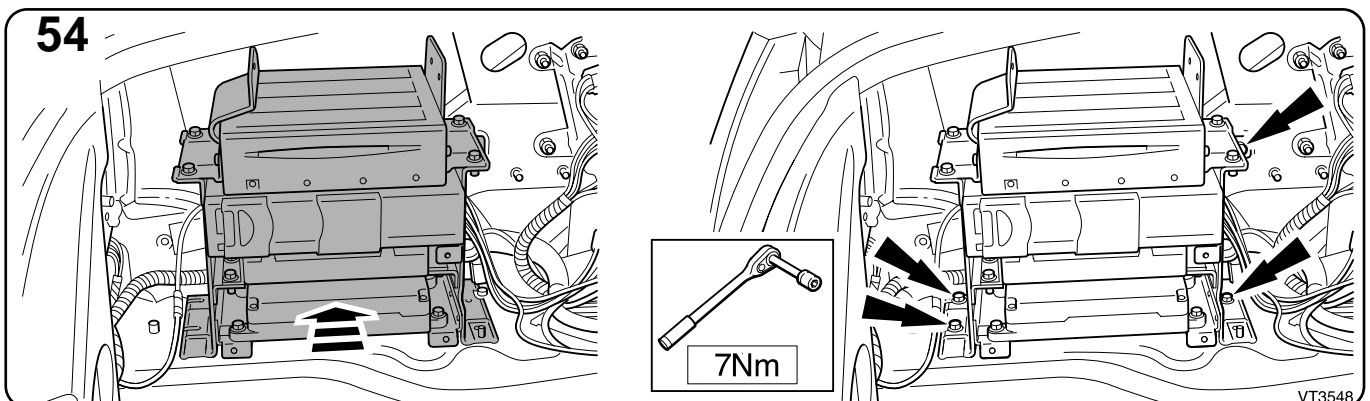
Note:

52. Fit new d²b lead supplied to all fitted modules and plugs including Telephone.



Note:

53. Fit electrical shorting loop if voice is not fitted.



MY 2003 ➔

Part No. C2C 24712

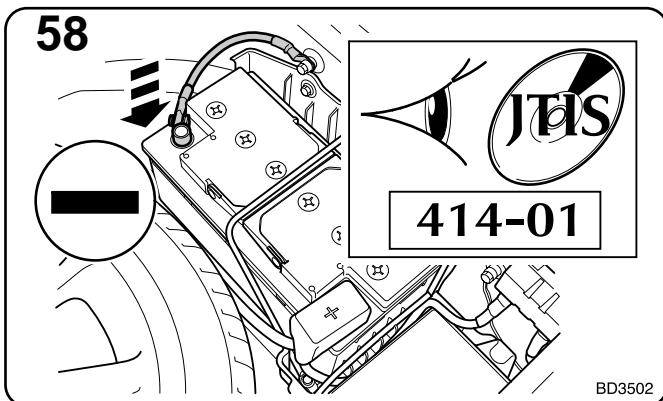
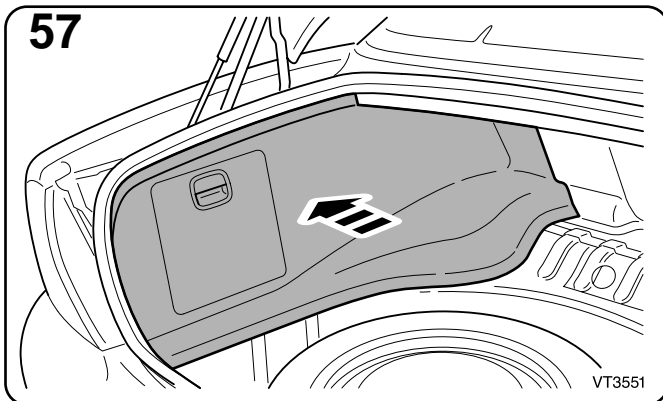
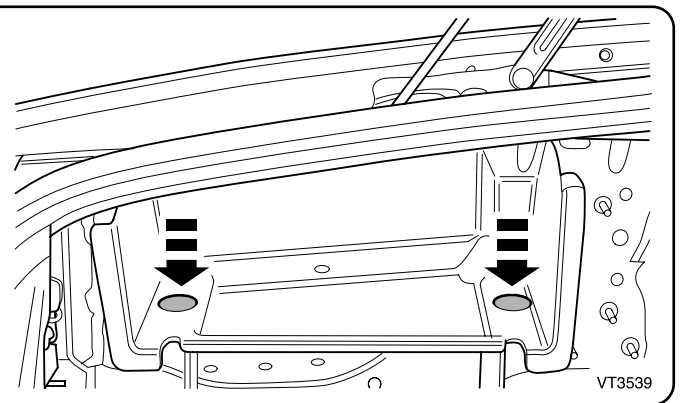
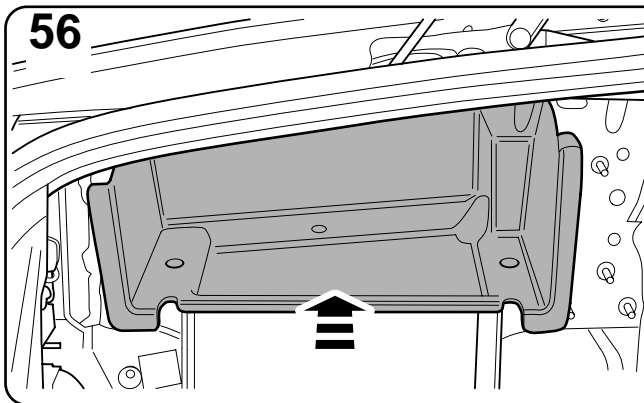
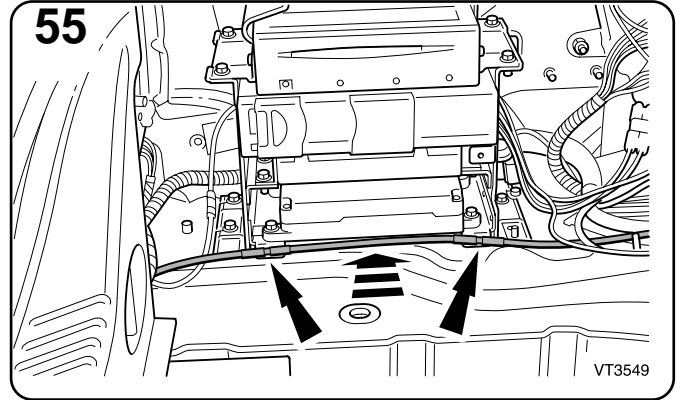
The XJ

V60i Telephone



Note:

56. If fitted.

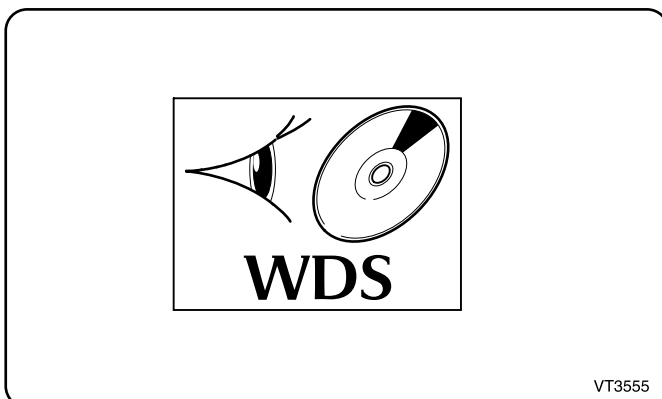
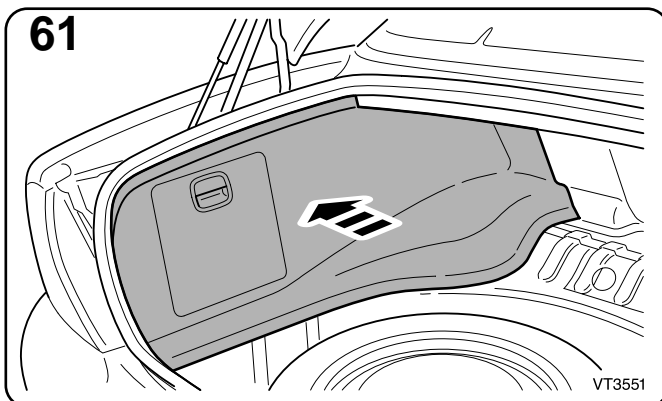
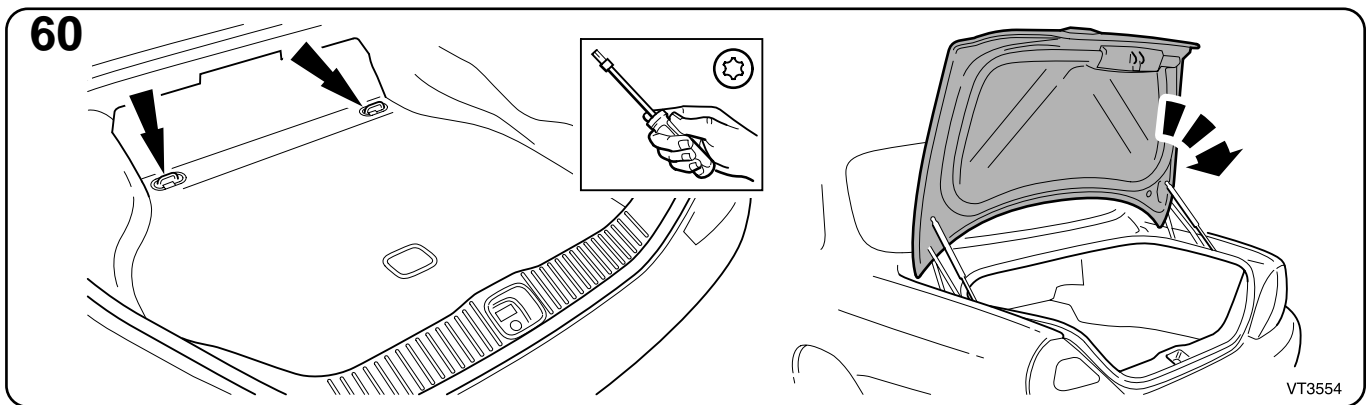
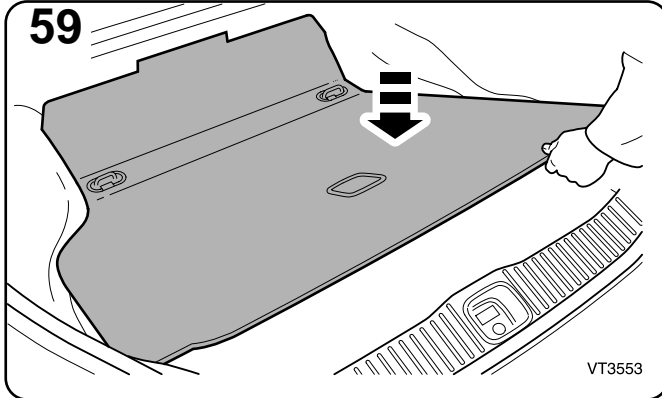


Note:

58. Refer to J.T.I.S / Drivers Handbook to ensure correct operations are carried out, relevant to battery disconnect and reconnect.

The XJ

V60i Telephone



Note:

Refer to WDS, dealer options, add and remove accessory.