

Fuses

FUSES AND FUSE BOXES

Do not fit a new fuse if the wiring is damaged; contact a Jaguar Dealer. After renewing a fuse have the circuit checked by a Jaguar Dealer.

Two types of fuses are fitted in the fuse boxes, ATO-type and Midi type.

Spare fuses and a special tool for removing and replacing fuses are located on a removable panel clipped to the rear of the trunk (A).

Use only the spare fuses supplied. If a spare fuse is used, renew it with a Jaguar approved fuse of the **same** amperage rating.

RENEWING A BLOWN FUSE



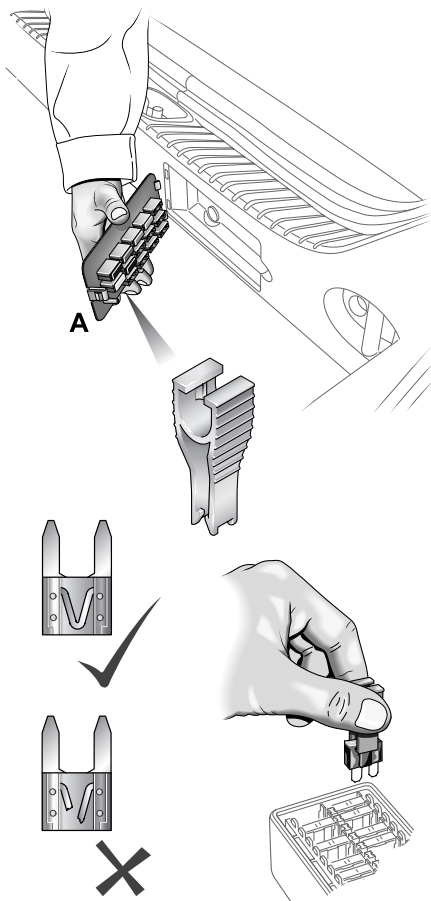
WARNING:

- Do not fit a fuse of a different amperage from that removed. The electrical circuits may become overloaded with the subsequent possibility of a fire.
- No attempt should be made to repair a fuse that has blown as this may cause a fire hazard or serious damage elsewhere in the electrical circuit.

Make sure the new fuse is the correct rating (amperage).

Fuses are colour coded according to the amperage and the rating is also marked on each fuse.

Caution: When a fuse box lid is removed, take care to protect the box from moisture, and refit the lid at the earliest opportunity.



JOL3094

ATO-fuse replacement

Push the tool on to the suspect ATO-fuse and withdraw the fuse. If the wire in the fuse is broken, the fuse has blown.

Fit a new fuse using the tool.

Fuses

Midi-fuse replacement (not shown)

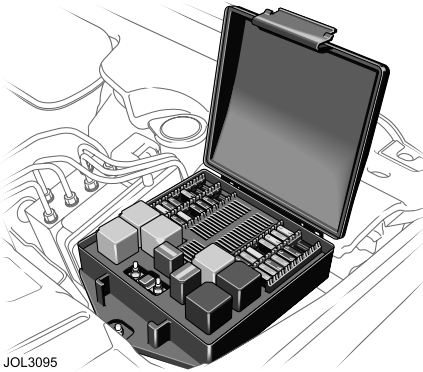
Unscrew the two nuts and remove the fuse. Note that the fuse is supplied directly from the battery positive; take care not to short a spanner or other metal tool to the chassis when removing the nuts.

FUSE BOX LOCATIONS

There are three separate fuse boxes fitted to the vehicle, each one containing fuses protecting a different group of circuits:

- Engine compartment fuse box.
- Cabin fuse box.
- Trunk fuse box.

Engine compartment fuse box

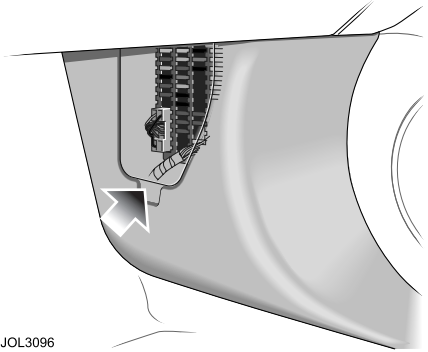


The fuse box is located in the engine compartment on the right-hand side adjacent to the windscreen wash reservoir.

Remove the fuse box lid by pressing the spring catch and lifting.

When refitting, press the fuse box lid in the area of the retaining lugs until the lid engages.

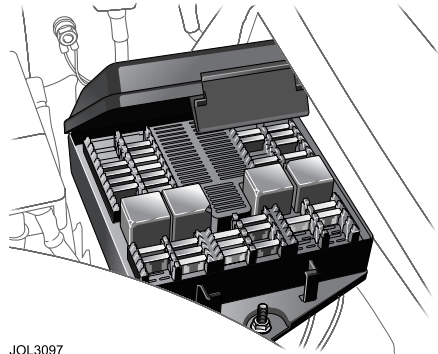
Cabin fuse box



The cabin fuse box is located behind the right-hand side trim panel in the footwell.

To access the fuse box, pull out the bottom of the trim panel (arrowed), slide the panel down slightly and remove.

Trunk fuse box



This fuse box is located in the trunk, situated behind the battery.

Open the trunk floor panel to gain access to the fuse box.

Remove the fuse box lid by pulling the retaining clips and pulling the lid upwards.

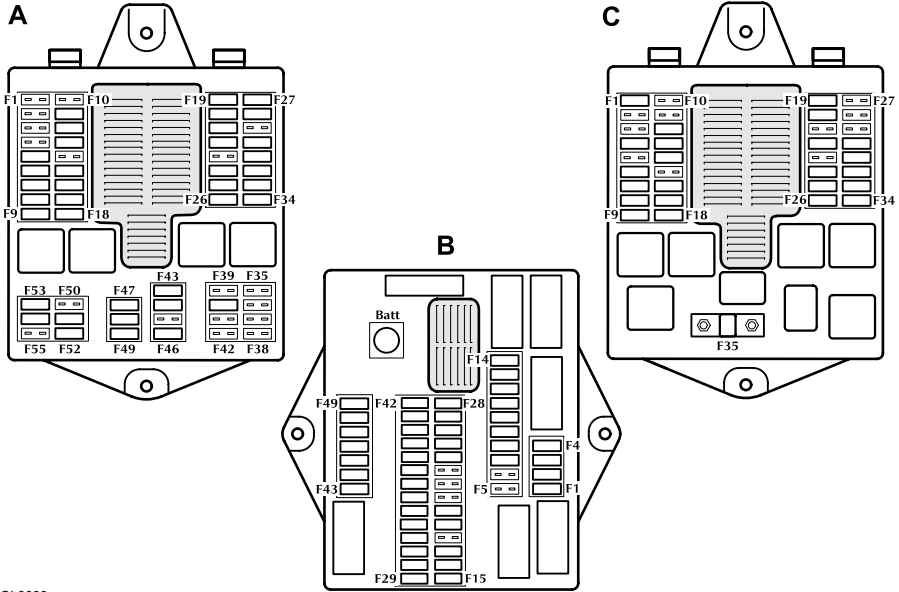
Fuses

Reposition the lid and press down until the retaining clips engage.

Replace the floor panel.

Fuses

FUSE POSITIONS



JOL3098

- A. Trunk fuse box.
- B. Cabin fuse box.
- C. Engine compartment fuse box

Fuse ratings and colour

Rating (amps)	Colour
5A	TAN
10A	RED
15A	BLUE
20A	YELLOW
25A	NATURAL
30A	GREEN
40A	ORANGE

Fuses

Engine compartment fuse box

Fuse No.	Rating (amps)	Circuit
F1	5A	Front ignition, UHEGO, fuel pump, rear ignition relay coils
F2	10A	Throttle (petrol engine only)
F3	5A	DSC ECU
F4	30A	Powerwash pump
F5		Not used
F6	40A	Air suspension compressor
F7	40A	Right-hand front screen heater or wiper park zone heater
F8	20A	Right-hand dipped beam
F9	20A	Left-hand dipped beam
F10	15A	Horns
F11		Not used
F12	10A	Engine control module
F13	10A	Fuel injectors
F14	10A	Purge valve, EGR valve, DMTL, V6 intake manifold tuning valves (IMTV), MAFS, air filter solenoid, radiator fan controller
F15		Not used
F16	20A	Right-hand main beam, left-hand main beam
F17	10A	Engine control module, transmission control module
F18	15A	Front fog lights, instrument cluster front fog status
F19	25A	Starter solenoid
F20	30A	ABS module (pump)
F21		Not used
F22	15A	ABS module
F23		Not used
F24	20A	Intercooler water pump (supercharged engines)
F25		Not used
F26	40A	Wiper system, front electronics module (FEM)
F27	5A	Secondary air injection
F28, F29		Not used
F30	15A	Ignition coils
F31	15A	Not used
F32	40A	Left-hand front screen heater
F33	30A	B bank heated oxygen sensors
F34	30A	A bank heated oxygen sensors
F35	80A	Radiator cooling fan

Fuses

Cabin fuse box

Fuse No.	Rating (amps)	Circuit
F1	10A	Climate control unit, fan, screen heaters and wiper relay coils, smog sensor
F2	5A	Cruise control switch, adaptive cruise control
F3	5A	Rear outer seat, electrochromic mirror, driver seat heater, electric parkbrake, left-hand and right-hand HID lamps levelling, left-hand and right-hand seat belt switches, passenger seat heater switch, rear seat heater switchpack
F4	5A	Instrument cluster
F5, F6		Not used
F7	5A	Cigar lighter, sunroof module, sunblind motor, electric parkbrake switch illumination, accessory relays (luggage compartment fuse box)
F8	5A	Instrument cluster
F9	10A	Left-hand direction indicator and repeater
F10	5A	Glove compartment door motor and lamps
F11	5A	Radio muting (engine start), ignition feed
F12	10A	Front electronic module (FEM), passenger mirror
F13	20A	Rear electronic module (REM), door locks
F14	10A	Courtesy light, footwell lamps, rain sensor, FEM, autolamp module
F15	5A	ECM, FEM, instrument cluster airbag fault lamp, instrument cluster ignition (run/start)
F16	5A	Diagnostic connector
F17	5A	ABS module
F18		Not used
F19	5A	Ignition relay, ECM, REM, fuel pump relay, start relay
F20	5A	Telephone transceiver, TV module, VICS (Japan), voice module, rear telematics
F21- F23		Not used
F24	5A	PATS transponder
F25	10A	Right-hand direction indicator and repeater, right-hand front lamp, left-hand and right-hand sunvisor lamps, left-hand and right-hand sidemarkers
F26	15A	Screenwash pump
F27	10A	ACC module
F28	10A	Climate control modules (front and rear), driver's door module (DDM)

Fuses

Fuse No.	Rating (amps)	Circuit
F29	10A	Airbag module, occupancy sensing module, passenger weight sensor
F30		Not used
F31	15A	Sunroof, phone transceiver
F32	5A	Front/rear parking aid, trailer tow module, battery-backed sounder, voice module, telephone receiver
F33	5A	Transmission control, J-gate, generator
F34	5A	Navigation system
F35	10A	Left-hand seat movement
F36	40A	Left-hand seat movement
F37	25A	Driver window
F38	15A	Radio head unit
F39	5A	Transit relay (removed before customer delivery)
F40	10A	Security LED, yaw rate sensor
F41	20A	Ignition switch
F42	10A	FEM, REM, DDM, clock
F43	5A	Diagnostic connector
F44	5A	Brake switch
F45	10A	Right-hand seat movement
F46	25A	Passenger window
F47	5A	Instrument pack
F48	20A	Instrument pack (steering column tilt and reach)
F49	40A	Left-hand seat movement

Fuses

Trunk compartment fuse box

Fuse No.	Rating (amps)	Circuit
F1-F4		Not used
F5	40A	Right-hand front seat
F6	10A	Accessory connector
F7	40A	Front blower motor
F8	10A	Heater circuit water pump
F9	25A	Rear seat motors
F10		Not used
F11	5A	Rear footwell lamps, grab handle lamps, overhead console map lamps
F12	10A	Air suspension
F13	20A	REM, rear seat heaters
F14		Not used
F15	5A	Right-hand stop and tail lamps
F16	10A	Luggage compartment lights, driver seat switch pack, rear switch seat pack, blower motor relay coil
F17	10A	Left-hand rear fog, direction indicator and reversing lamps
F18	10A	Number plate lamps, side marker lamps
F19	30A	Heated rear window
F20	10A	Heated door mirrors
F21	25A	Rear seat motors
F22	10A	Accessory connector
F23		Not used
F24	25A	Fuel pump driver module
F25	15A	Front accessory socket
F26	15A	Rear accessory socket
F27	10A	Rear CD
F28	25A	Left-hand rear window
F29	10A	VICS
F30	10A	Generator, battery-backed sounder, transit relay
F31	40A	Right-hand front seat
F32	30A	Electric parkbrake actuator
F33	20A	Rear electronic module (fuel pump)
F34	30A	Power amplifier
F35-F36		Not used
F37	10A	TPMS Battery +
F38, F39		Not used

Fuses

Fuse No.	Rating (amps)	Circuit
F40	25A	Right-hand rear window
F41, F42		Not used
F43	15A	Rear cigar lighter
F44	15A	Front cigar lighter
F45		Not used
F46	10A	Right-hand rear reverse, direction indicator and fog lights
F47	20A	FEM, front seat heater
F48	5A	High mounted stop lamps
F49	5A	Left-hand stop and tail lamps
F50		Not used
F51	10A	Navigation system
F52	20A	Luggage compartment lamps
F53	20A	Rear fan motor
F54	15A	Heated steering wheel
F55	5A	TPMS