

Remote Climate Control Module (RCCM)

The 2-zone RCCM is located on the climate control housing on the drivers side and has its connectors positioned for easy terminal access and monitoring.

The RCCM is the same part for both hi-line and mid-line panels. But, they are configured differently.

When the 2-zone RCCM is combined with an RCCP there is a sharing of information to make the system a fully integrated 4-zone climate control system.

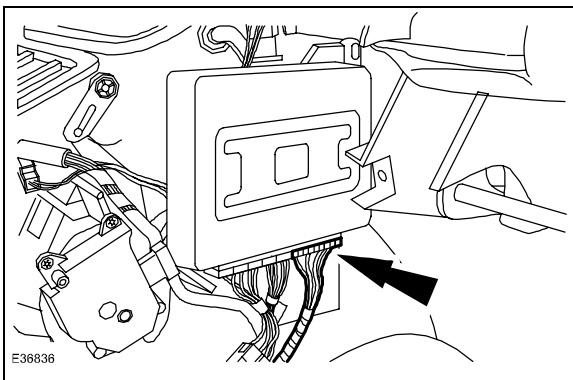


Fig. 273 RCCM

Blower Motor

A brush-type blower motor unit with a speed controller utilizing a signal from the climate control module has been introduced.

This mode of operation is similar to the brush type blower motor and the separate variable voltage blower regulator as used with the previous system.

Voltages relating to the number of manual speed segments can be measured whilst in manual mode.

- 1-7 Navigation Panel
- 1-11 Mid Line Panel

However in the automatic mode a greater number of blower modes are used (1-32) and therefore more voltage steps are available.

All new air ducting for face, foot and demist with new air registers have been introduced. The air flow registers have increased vertical and horizontal movement for improved air flow delivery.

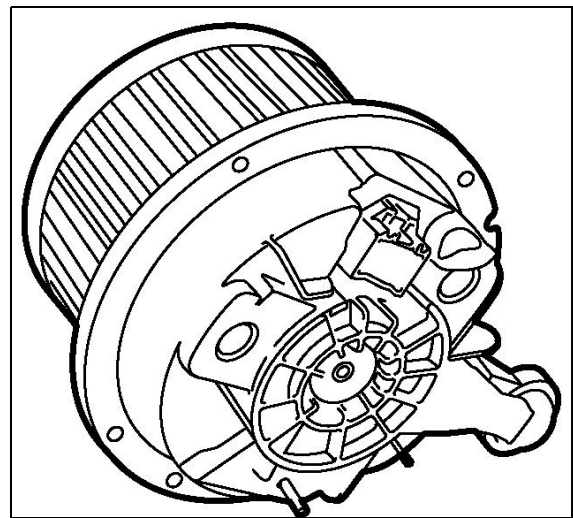


Fig. 274 Blower motor

Servo Motors