



BY APPOINTMENT TO
HER MAJESTY QUEEN ELIZABETH II
MANUFACTURERS OF DAIMLER AND JAGUAR CARS
JAGUAR CARS LIMITED COVENTRY



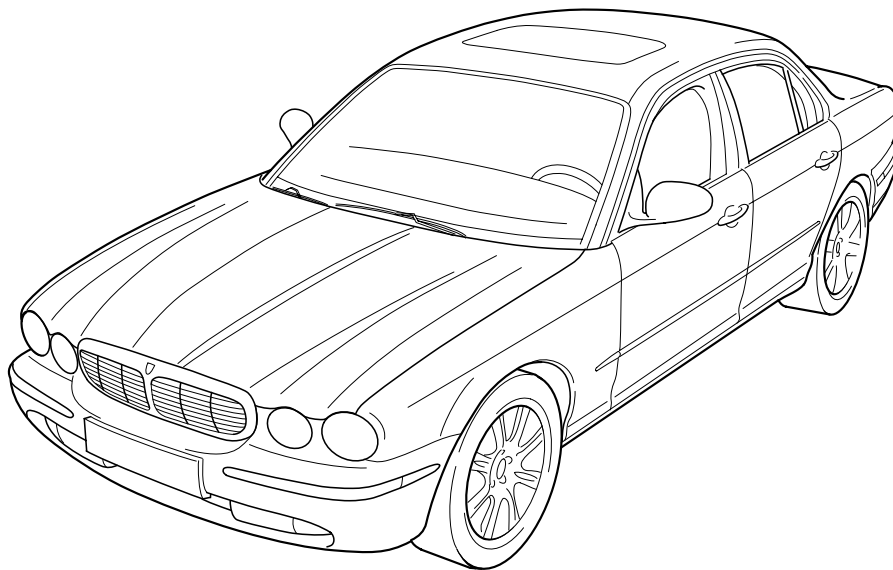
BY APPOINTMENT TO
HER MAJESTY QUEEN ELIZABETH
THE QUEEN MOTHER
MANUFACTURERS OF DAIMLER AND JAGUAR CARS
JAGUAR CARS LIMITED COVENTRY



BY APPOINTMENT TO
HIS ROYAL HIGHNESS THE PRINCE OF WALES
MANUFACTURERS OF DAIMLER AND JAGUAR CARS
JAGUAR CARS LIMITED COVENTRY

The New Jaguar XJ Range

2003.5 Model Year Electrical Guide



PROVISIONAL

Published by Parts and Service Communications
Jaguar Cars Limited

Publication Part Number – JTP 861





Table of Contents: Figures 2 – 3

Abbreviations and Acronyms 4

Introduction 5

Symbols and Codes 6 – 9

Network Configuration 10

Major Harnesses and Fuse Box Location 11

Relay and Fuse Location 12

Fuse Box Connectors 13

Ground Point Location 14

Harness In-Line Connector Location 15 – 17

Control Module Location 18 – 19

Electrical Guide Figures follows after page 19
(pages are numbered by Figure number)



FIGURES

Fig.	Description	Variant
01	Power Distribution	
01.1	Main Power Distribution	All Vehicles
01.2	Battery Power Distribution: Part 1	All Vehicles
01.3	Battery Power Distribution: Part 2	All Vehicles
01.4	Ignition Switched Power Distribution: Part 1	All Vehicles
01.5	Ignition Switched Power Distribution: Part 2	All Vehicles
01.6	Switched System Power Distribution: Part 1	All Vehicles
01.7	Switched System Power Distribution: Part 2	All Vehicles
01.8	Engine Management Switched Power Distribution	All Vehicles
02	Battery; Starter; Generator	
02.1	Battery; Starter; Generator – V6	V6 Vehicles
02.2	Battery; Starter; Generator – V8	V8 Vehicles
03	Engine Management	
03.1	Engine Management System: V6 – Part 1	V6 Vehicles
03.2	Engine Management System: V6 – Part 2	V6 Vehicles
03.3	Engine Management System: V8 N/A – Part 1	V8 N/A Vehicles
03.4	Engine Management System: V8 N/A – Part 2	V8 N/A Vehicles
03.5	Engine Management System: V8 SC – Part 1	V8 SC Vehicles
03.6	V8 SC Engine Management System: V8 SC – Part 2	V8 SC Vehicles
04	Transmission	
04.1	Automatic Transmission	All Vehicles
05	Chassis	
05.1	Dynamic Stability Control	All Vehicles
05.2	Electronic Parking Brake; Variable Assist Power Steering	All Vehicles
05.3	Air Suspension System	All Vehicles
05.4	Adaptive Speed Control	Adaptive Speed Control Vehicles
06	Climate Control	
06.1	Climate Control: Part 1	All Vehicles
06.2	Climate Control: Part 2	All Vehicles
06.3	Rear Climate Control	Rear Climate Control Vehicles
07	Instrumentation	
07.1	Instrument Cluster	All Vehicles
08	Exterior Lighting	
08.1	Exterior Lighting: Front	Non HID Headlamp Vehicles
08.2	Exterior Lighting: Front – HID	HID Headlamp Vehicles
08.3	Exterior Lighting: Rear	All Vehicles
08.4	Exterior Lighting: Rear – European Trailer Towing	European Trailer Towing Vehicles
08.5	Exterior Lighting: Rear – U.K. Trailer Towing	U.K. Trailer Towing Vehicles
08.6	Headlamp Leveling	HID Headlamp Vehicles
09	Interior Lighting	
09.1	Interior Lighting	All Vehicles
09.2	Dimmer-Controlled Lighting: Part 1	All Vehicles
09.3	Dimmer-Controlled Lighting: Part 2	All Vehicles



FIGURES

Fig.	Description	Variant
10 Steering Column; Pedals; Mirrors		
10.1	Steering Column Adjust; Pedal Adjust	All Vehicles
10.2	Door Mirrors; Electrochromic Rear View Mirrors	All Vehicles
11 Seat Systems		
11.1	Driver Seat: 12-Way Movement with Memory	12-Way Seat Memory Vehicles
11.2	Driver Seat: 16-Way Movement with Memory	16-Way Seat Memory Vehicles
11.3	Driver Seat: Non Memory	Non Memory Seat Vehicles
11.4	Passenger Seat: 12-Way Movement	12-Way Passenger Seat Vehicles
11.5	Passenger Seat: 16-Way Movement	16-Way Passenger Seat Vehicles
11.6	Passenger Seat: 16-Way Movement with Rear Override	Powered Rear Seats Vehicles
11.7	Front Seat Heaters	Heated Front Seats Vehicles
11.8	Powered Rear Seats: LH Seat	Powered Rear Seats Vehicles
11.9	Powered Rear Seats: RH Seat	Powered Rear Seats Vehicles
11.10	Rear Seat Heaters	Heated Rear Seats Vehicles
12 Central Locking; Security		
12.1	Central Locking	All Vehicles
12.2	Security System	All Vehicles
13 Wash / Wipe		
13.1	Wash / Wipe System	All Vehicles
14 Powered Windows; Sliding Roof		
14.1	Powered Windows; Sliding Roof	All Vehicles
15 In-Car Entertainment		
15.1	In-Car Entertainment: Premium	Premium ICE Vehicles
15.2	In-Car Entertainment: Audiophile	Audiophile ICE Vehicles
15.3	Rear In-Car Entertainment	Rear ICE Vehicles
16 Communications; Navigation		
16.1	Telephone System: ROW	ROW Vehicles
16.2	Telephone System: NAS	NAS Vehicles
16.3	Telephone System with Voice Control: ROW	ROW Voice Vehicles (except Japan)
16.4	Telephone System with Voice Control: NAS	NAS Voice Vehicles
16.5	Navigation System	Navigation Vehicles (except Japan)
16.6	Navigation System with Television	Navigation Vehicles with TV (except Japan)
16.7	Navigation System: Japan	Japan Vehicles
17 Occupant Protection		
17.1	Advanced Restraints System: Part 1	All Vehicles
17.2	Advanced Restraints System: Part 2	All Vehicles
18 Driver Assist		
18.1	Parking Aid System	Parking Aid Vehicles
19 Ancillaries		
19.1	Ancillaries: Part 1	All Vehicles
19.2	Ancillaries: Part 2	All Vehicles
20 Vehicle Multiplex Systems		
20.1	Controller Area Network	All Vehicles
20.2	Standard Corporate Protocol Network; Serial Data Link: LHD	LHD Vehicles
20.3	Standard Corporate Protocol Network; Serial Data Link: RHD	RHD Vehicles
20.4	D2B Network	All Vehicles



The following abbreviations and acronyms are used throughout this Electrical Guide:

General and EMS Acronyms

A/C	Air Conditioning
APP SENSOR	Accelerator Pedal Position Sensor
APP1	Accelerator Pedal Position Sensor Element 1
APP2	Accelerator Pedal Position Sensor Element 2
B+	Battery Voltage
BANK 1	RH Cylinder Bank (Cylinders 1, 3, 5, 7)
BANK 2	LH Cylinder Bank (Cylinders 2, 4, 6, 8)
CAN	Controller Area Network
CKP SENSOR	Crankshaft Position Sensor
CMP SENSOR / 1	Camshaft Position Sensor / RH Bank
CMP SENSOR / 2	Camshaft Position Sensor / LH Bank
D2B	D2B Network
DSC	Dynamic Stability Control
ECT SENSOR	Engine Coolant Temperature Sensor
EFT SENSOR	Engine Fuel Temperature Sensor
EGR VALVE	Exhaust Gas Recirculation Valve
EGT SENSOR	Exhaust Gas Temperature Sensor
EOT SENSOR	Engine Oil Temperature Sensor
EVAP CANISTER CLOSE VALVE	Evaporative Emission Canister Close Valve
EVAP CANISTER PURGE VALVE	Evaporative Emission Canister Purge Valve
FTP SENSOR	Fuel Tank Pressure Sensor
GPS	Global Positioning System
HID	High Intensity Discharge
HO2 SENSOR 1 / 1	Heated Oxygen Sensor – RH Bank / Upstream
HO2 SENSOR 1 / 2	Heated Oxygen Sensor – RH Bank / Downstream
HO2 SENSOR 2 / 1	Heated Oxygen Sensor – LH Bank / Upstream
HO2 SENSOR 2 / 2	Heated Oxygen Sensor – LH Bank / Downstream
IAT SENSOR	Intake Air Temperature Sensor
ICE	In-Car Entertainment System
IMT VALVE / 1	Intake Manifold Tuning Valve / Top
IMT VALVE / 2	Intake Manifold Tuning Valve / Bottom
IP SENSOR	Injection Pressure Sensor
KS / 1	Knock Sensor / RH Bank
KS / 2	Knock Sensor / LH Bank
LH	Left Hand
LHD	Left Hand Drive
MAF SENSOR	Mass Air Flow Sensor
MAP SENSOR	Manifold Absolute Pressure Sensor
N/A	Normally Aspirated
NAS	North American Specification
PATS	Passive Anti-Theft System
PWM	Pulse Width Modulated
RH	Right Hand
RHD	Right Hand Drive
ROW	Rest of World
SC	Supercharged
SCP	Standard Corporate Protocol Network
TP SENSOR	Throttle Position Sensor
TP1	Throttle Position Sensor Element 1
TP2	Throttle Position Sensor Element 2
TURN	Turn Signal
TV	Television
V6	V6 Engine
V8	V8 Engine
VVT VALVE / 1	Variable Valve Timing Valve / Bank 1
VVT VALVE / 2	Variable Valve Timing Valve / Bank 2
+ve	Positive
-ve	Negative

Control Module Acronyms

ASCM	Adaptive Speed Control Module
ASM	Air Suspension Module
AUDIO	Audio Unit
CCM	Climate Control Module
CPM	Cellular Phone Module
DDM	Driver Door Module
DSCM	Dynamic Stability Control Module
DSM	Driver Seat Module
ECM	Engine Control Module
FEM	Front Electronic Module
HLM	Headlamp Leveling Module
IC	Instrument Cluster
JGM	J-Gate Module
MCP	Multimedia Control Panel
NCM	Navigation Control Module
PAM	Parking Aid Module
PBM	Parking Brake Module
RCM	Restraints Control Module
RCCM	Rear Climate Control Module
REM	Rear Electronic Module
RMM	Rear Memory Module
SCLM	Steering Column Lock Module
VAM	Voice Activation Module



Provisional Electrical Guide Format

This Provisional Electrical Guide is an abridged version made up of two sections. The first section provides general information for and about the use of the book and information and illustrations to aid in the location of components.

The Figure section illustrates detailed electrical circuit information for each system on the vehicle. Each Figure is identified by a Figure Number (i.e. Fig. 01.1) and Title. The data that normally accompanies each Figure is not included in this Provisional version.

It is recommended that the user read through the front section of the book to develop a familiarity with the layout of the book and with the system of symbols and abbreviations used. The Table of Contents should help to guide the user.

Vehicle Identification Numbers (VIN)

VIN ranges are presented throughout the book in the following manner:

→ VIN 123456 indicates “up to VIN 123456”; VIN 123456 → indicates “from VIN 123456 on”.

Jaguar 2003.5 Model Year XJ Range Electrical System Architecture

Power Supplies

The Jaguar 2003.5 Model year XJ Range electrical system is a supply-side switched system. The ignition switch directly carries much of the ignition switched power supply load. Power supply is provided via three methods: direct battery power supply, ignition switched power supply, and “Switched System Power Supply”. The “Switched System Power Supply” circuit is controlled via the FEM (Front Electronic Module) and the REM (Rear Electronic Module). Refer to Figures 01.6 and 01.7 for circuit activation details.

Fuse Boxes

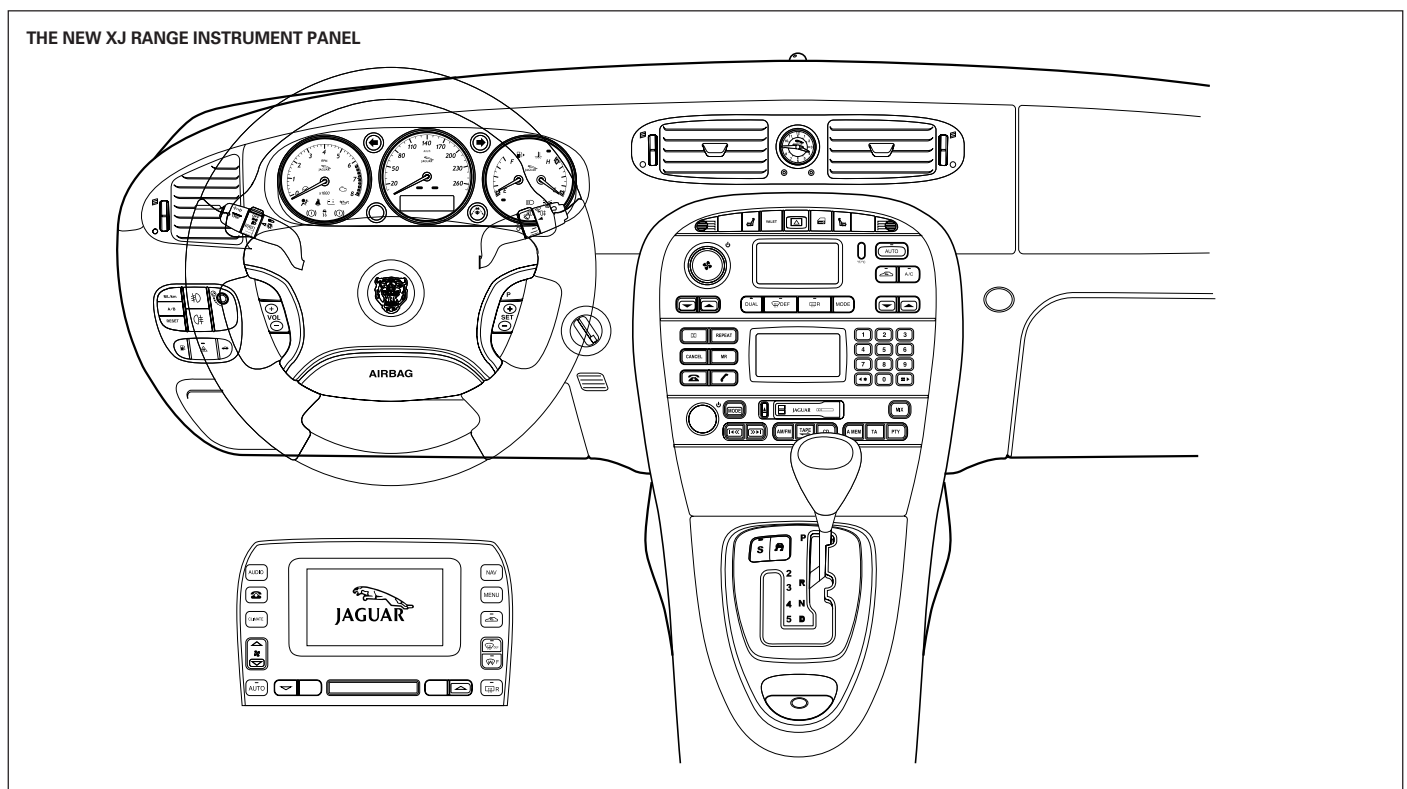
The electrical harness incorporates three serviceable power distribution fuse boxes: the Front Power Distribution Fuse Box located in the engine compartment, the Rear Power Distribution Fuse Box located in the trunk and the Passenger Junction Fuse Box located in the front right-hand foot well. All fuses and relays (except the trailer towing accessory kit) are located in the three fuse boxes.

Vehicle Networks

The New XJ Range employs three different networks: a CAN (Controller Area Network) for high-speed power train communications, an SCP (Standard Corporate Protocol) network for slower speed body systems communications, and a D2B (Optical) Network for very high-speed “real-time” audio data transfer. The D2B Network is a fiber optic network with a gateway to the remaining vehicle networks via the Audio Unit. Technician access to the three networks and the Serial Data Link is via the Data Link Connector.

Ground Studs








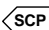
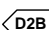
Circuit ground connections are made at body studs located throughout the vehicle. There are no separate power and logic grounding systems; however, there are a certain number of components that use unique ground points.




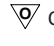





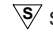




NOTE: In the examples on this page, an 'X' is used where a number would appear on an actual Figure.

Reference Symbols

-  Battery power supply
-  Ignition switched auxiliary power supply (key I, II)
-  Ignition switched power supply (key II, III)
-  Switched System Power Supply power supply
-  Engine Management System power supply
-  Figure number reference
-  Controller Area Network
-  Standard Corporate Protocol network
-  D2B network




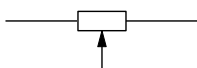
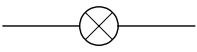
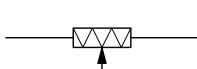
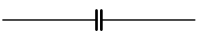
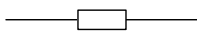
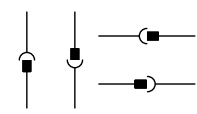
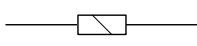

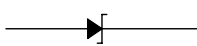
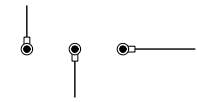
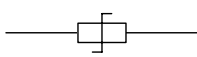
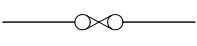
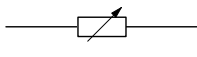
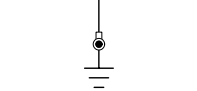
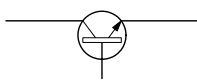
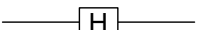



Control Module Pin Symbols

-  Input
-  Output
-  Battery voltage
-  Power ground
-  Sensor/signal supply V *
-  Sensor/signal ground **
-  CAN network
-  SCP network
-  D2B network
-  Serial and encoded data

* May also indicate Reference Voltage.

** May also indicate Reference Ground or Logic Ground.
Refer to Control Module Pin-Out Information.

Wiring Symbols

- | | | | |
|----------------------------|---|--|----------------------|
| Splice |  |  | Motor |
| Simplified splice |  |  | Potentiometer |
| Bulb |  |  | Pressure transducer |
| Capacitor |  |  | Resistor |
| Connector |  |  | Solenoid |
| Diode |  |  | Suppression diode |
| Eyelet and stud |  |  | Suppression resistor |
| Fuse |  |  | Thermistor |
| Ground |  |  | Transistor |
| Hall effect sensor |  |  | Wire continued |
| Light emitting diode (LED) |  |  | Zener diode |

**Harness Codes**

AC	Air Conditioning Harness
BC	Battery Ground Harness
BF	Front Bumper Harness
BL	Cabin to Trunk Lid Harness
BO	Battery Harness
BR	Rear Bumper Harness
BS	Battery Backed Sounder Harness
BT	Trunk Lid Harness
CC	Center Console Harness
CL	Center Console Link Harness
CP	Cooling Pump Harness
CR	Cabin Harness
CV	EVAP Canister Close Valve Link Harness
DB	D2B Network Harness
DD	Driver Door Harness
DL	Driver Seat Lumbar Harness
DT	Driver Door Trim Harness
EC	Engine Compartment Harness
EL	Starter Motor Solenoid Link Harness
FP	Fuel Tank Link Harness
GB	Transmission Harness
GC	Radiator Cooling Fan Harness
IJ	Fuel Injector Harness
IL	Fuel Injector Harness
IP	Instrument Panel (Fascia) Harness
IS	Fuel Injector Link Harness
LL	LH Rear Seat Lumbar Harness
LS	LH Rear Seat Harness
LT	LH Rear Door Trim Harness
PD	Passenger Door Harness
PH	Telephone Harness
PI	Engine Management Harness
PL	Passenger Seat Lumbar Harness
PS	Passive Security Sounder Harness
PT	Passenger Door Trim Harness
RA	Rear Air Conditioning Harness
RC	Rear In-Car Entertainment Controls Harness
RF	Roof Harness
RL	LH Rear Door Harness
RR	RH Rear Door Harness
RS	RH Rear Seat Harness
RT	RH Rear Door Trim Harness
SD	Driver Seat Harness
SL	LH Rear Seat Motor Harness
SP	Passenger Seat Harness
SR	RH Rear Seat Motor Harness
SW	Steering Wheel Harness
TL	Telematics Harness
TT	Trailer Tow Harness
VL	LH Rear Television Harness
VP	Voice Activation Pre-Wire Harness
VR	RH Rear Television Harness
VX	RH Rear Television Link Harness
VY	LH Rear Television Link Harness
YL	RH Rear Seat Lumbar Harness

Wiring Color Codes

N	Brown	O	Orange
B	Black	S	Slate
W	White	L	Light
K	Pink	U	Blue
G	Green	P	Purple
R	Red	BRD	Braid
Y	Yellow	BOF	Black fiber optic (D2B Network)

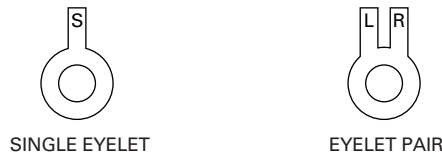
Code Numbering

When numbering connectors, grounds and splices, Jaguar Engineering uses a three-position format: CR001, CR002, etc. Because space is limited in this Electrical Guide the codes have, in most cases, been shortened. Thus CR001-001 becomes CR1-1, CR002-001 becomes CR2-1, etc.



Grounds

There may be up to three eyelets on one ground stud. A, B and C are used to indicate the position of the eyelet on the stud: A – first (bottom), B – second (middle), C – third (top). Two eyelet variations are used: a single eyelet and an eyelet pair. The single eyelet has a single leg, which is identified by an S; the eyelet pair has two legs, identified as L (left) or R (right).



EXAMPLE:



On figures where LHD and RHD circuits are combined and the ground designation differs from LHD to RHD, the RHD ground is shown in parentheses. If the ground designation is the same for LHD and RHD, only one ground designation is used.

EXAMPLE:

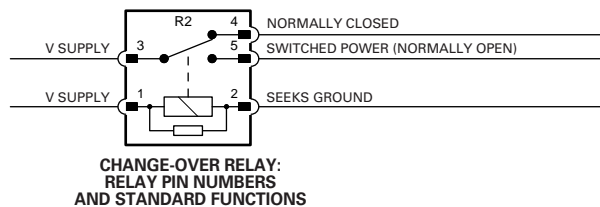


Relays

Serviceable Relays

Serviceable relays are located in all three fuse boxes. They do not have a separate relay connector (base). All relays use the ISO pin numbering system – 1, 2, 3, 4, 5. Each relay is identified by an “R” number unique only to the fuse box in which it is located.

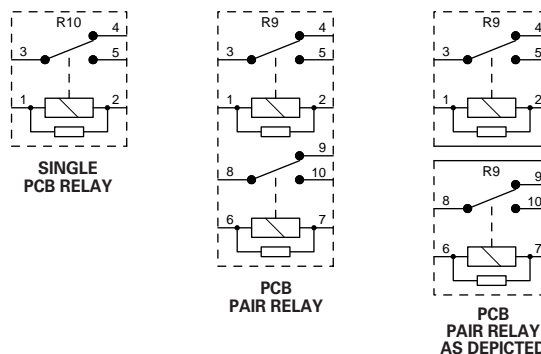
EXAMPLE:



Non-Serviceable Relays

Non-serviceable relays are located in all three fuse boxes. They are a component part of the fuse box printed circuit board (PCB) and are arranged in singles or pairs. The relays use the ISO pin numbering system – 1, 2, 3, 4, 5 (single relay or top pair relay) and 6, 7, 8, 9, 10 (bottom pair relay). Each relay is identified by an “R” number unique only to the fuse box in which it is located. Pair relays are normally depicted separately.

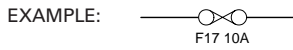
EXAMPLE:





Fuses

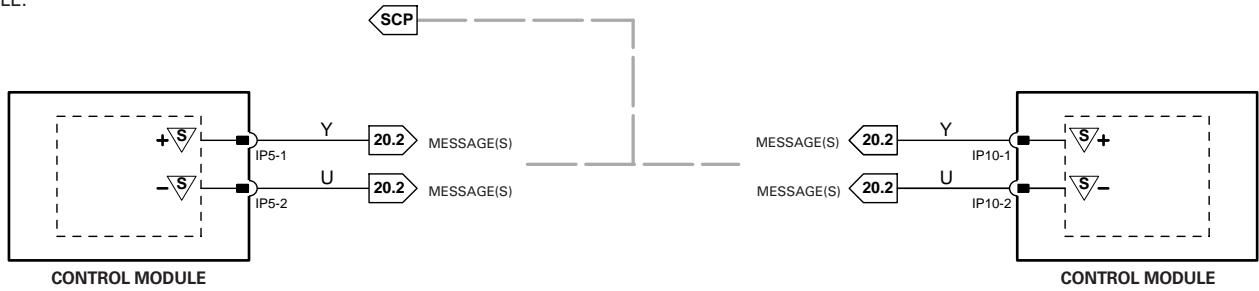
All fuses are located in the fuse boxes. Each fuse is identified by an "F" number unique only to the fuse box in which it is located.



Networks

In most instances, networks are shown as a broken grey line to indicate that there is network communication between the depicted control modules. Refer to Figures 20.1, 20.2, 20.3 and 20.4 for circuit details.

EXAMPLE:



Component Depictions

EXAMPLE:



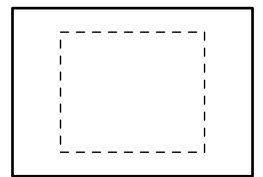
COMPLETE COMPONENTS AND CONTROL MODULES



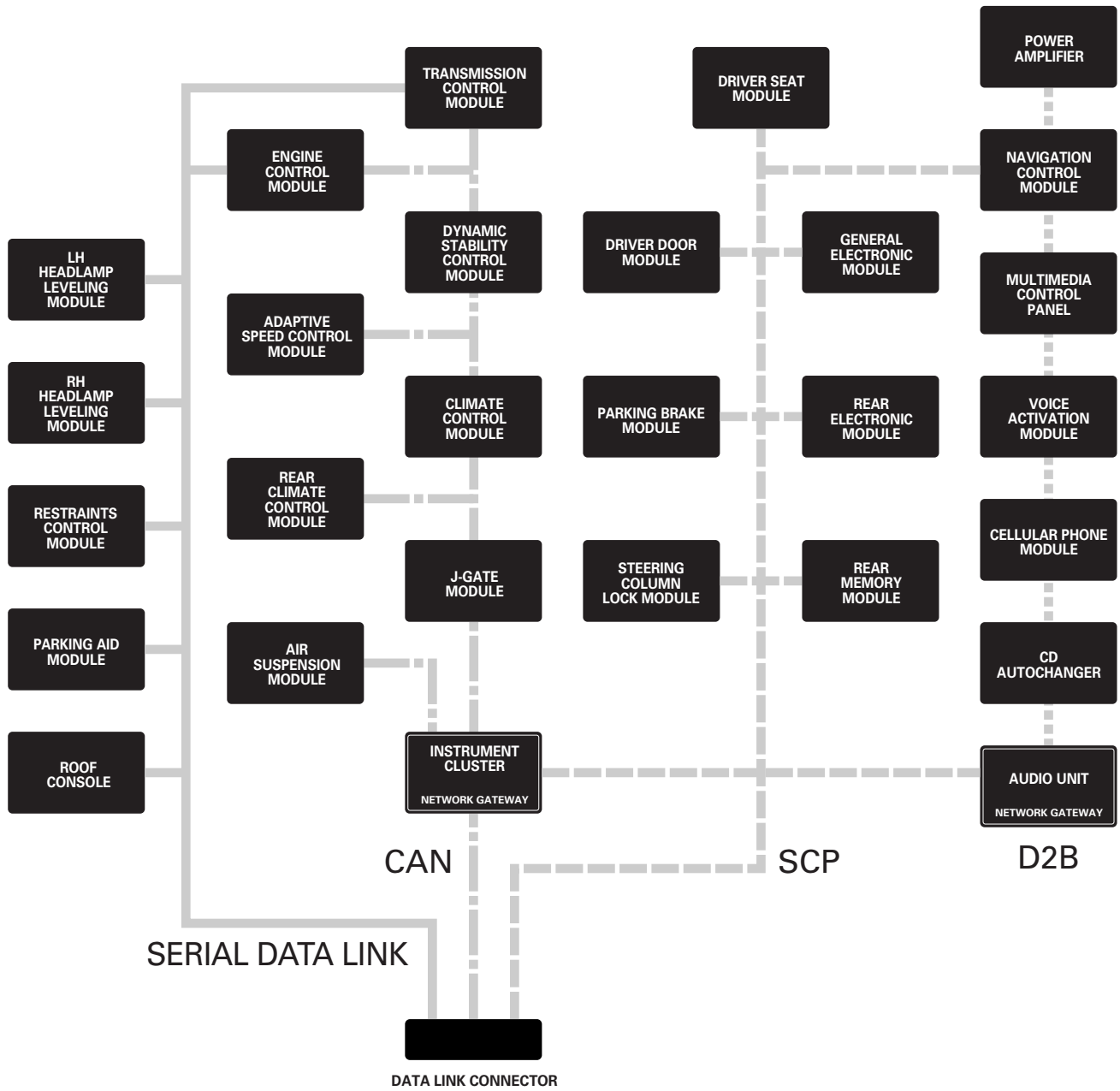
INCOMPLETE COMPONENTS (EXCEPT CONTROL MODULES)



ASSEMBLIES AND POWER DISTRIBUTION FUSE BOXES

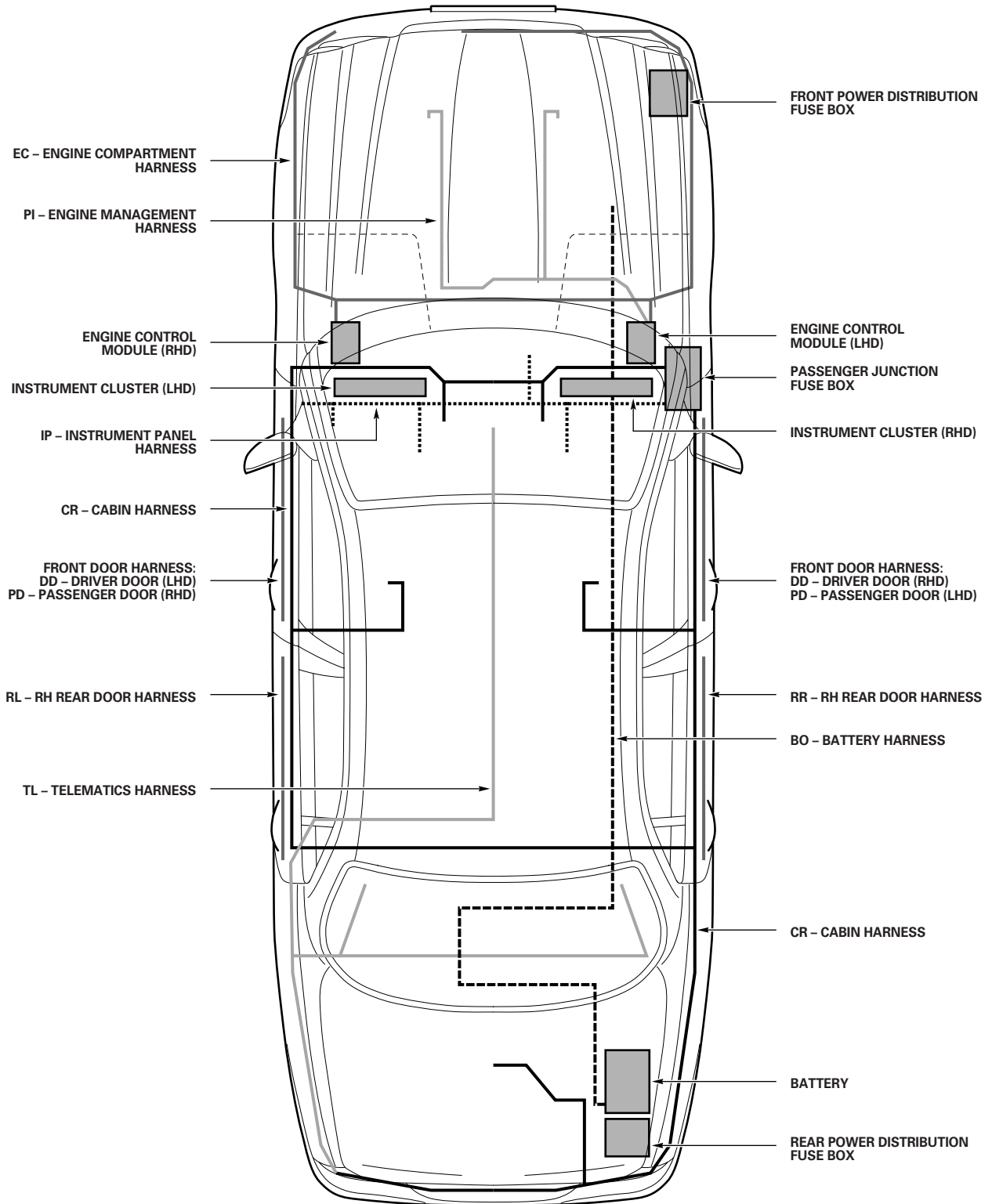


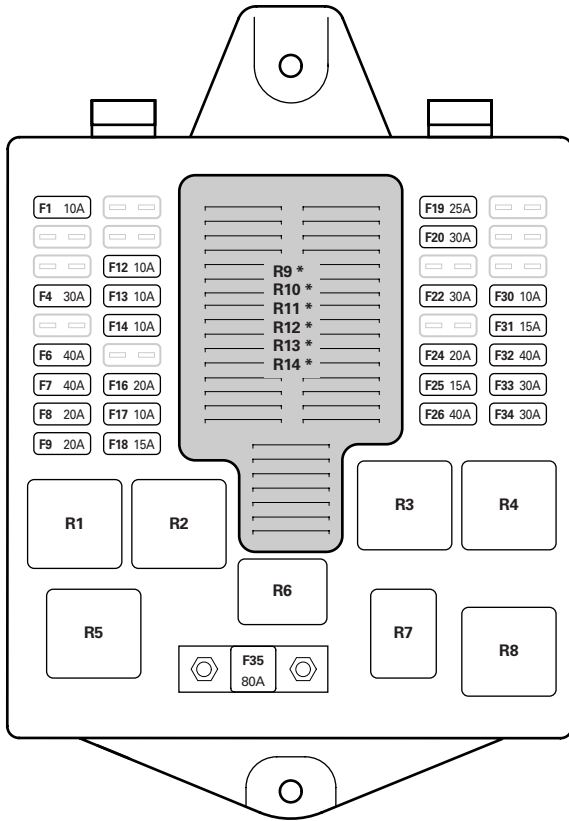
COMPONENTS WITH INTERNAL ELECTRONIC CIRCUIT



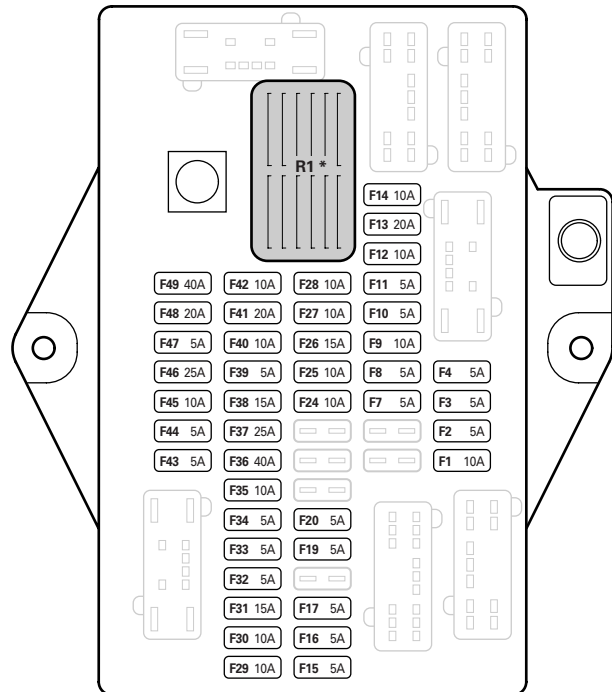
- SERIAL DATA LINK
- - - - CAN NETWORK
- - - - SCP NETWORK
- D2B NETWORK

NOTE: TYPICAL XJ RANGE NETWORK CONFIGURATION (FULL OPTION SET). REFER TO FIGURES 20.1, 20.2, 20.3, AND 20.4 FOR CIRCUIT DETAILS.

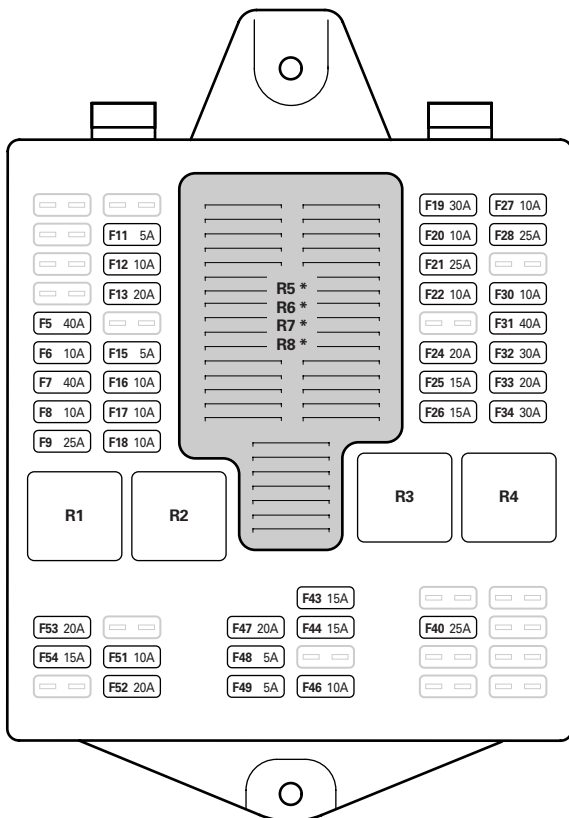




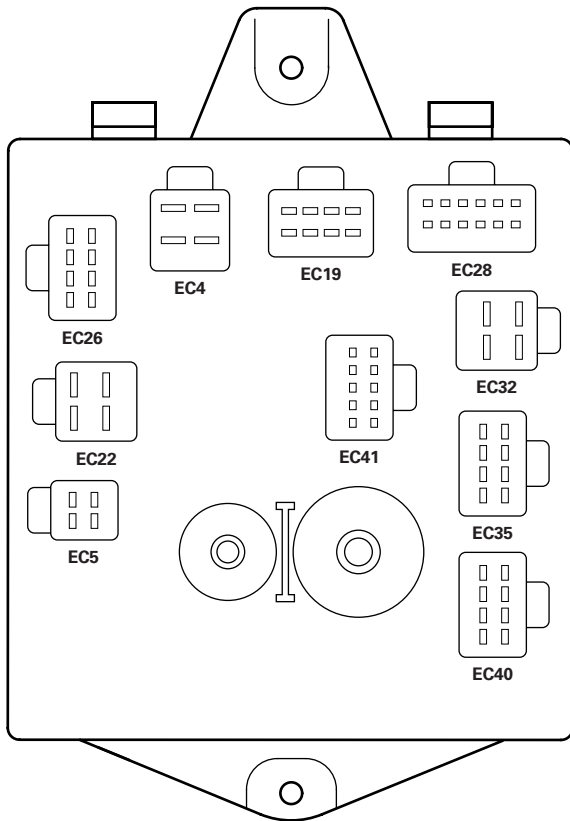
FRONT POWER DISTRIBUTION FUSE BOX
* NON-SERVICEABLE PCB RELAY



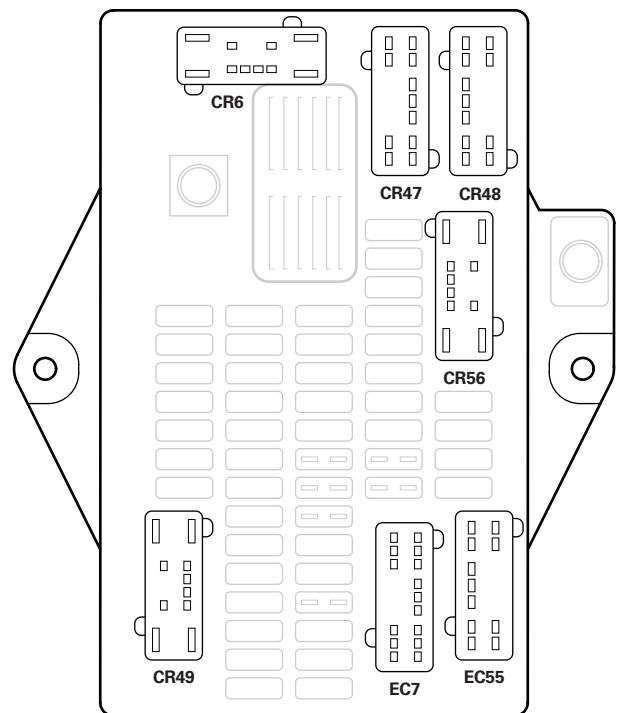
PASSENGER JUNCTION FUSE BOX
* NON-SERVICEABLE PCB RELAY



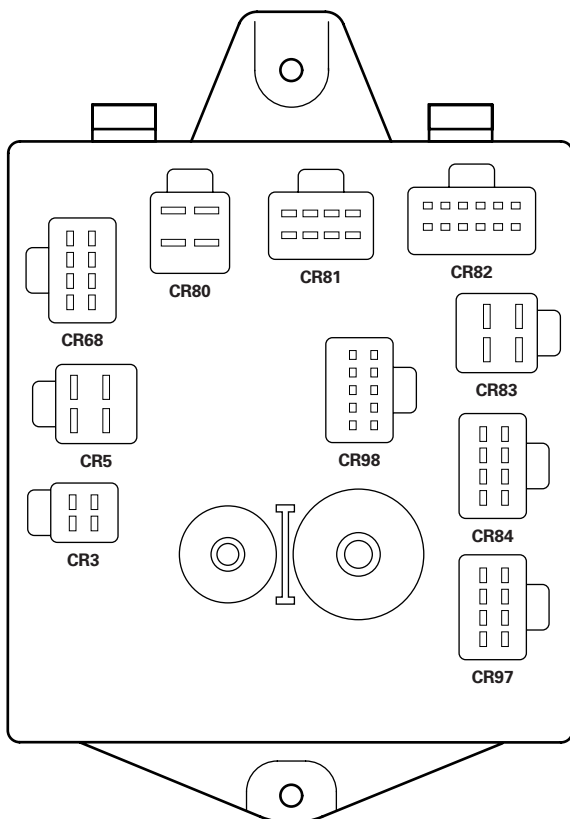
REAR POWER DISTRIBUTION FUSE BOX
* NON-SERVICEABLE PCB RELAY



FRONT POWER DISTRIBUTION FUSE BOX



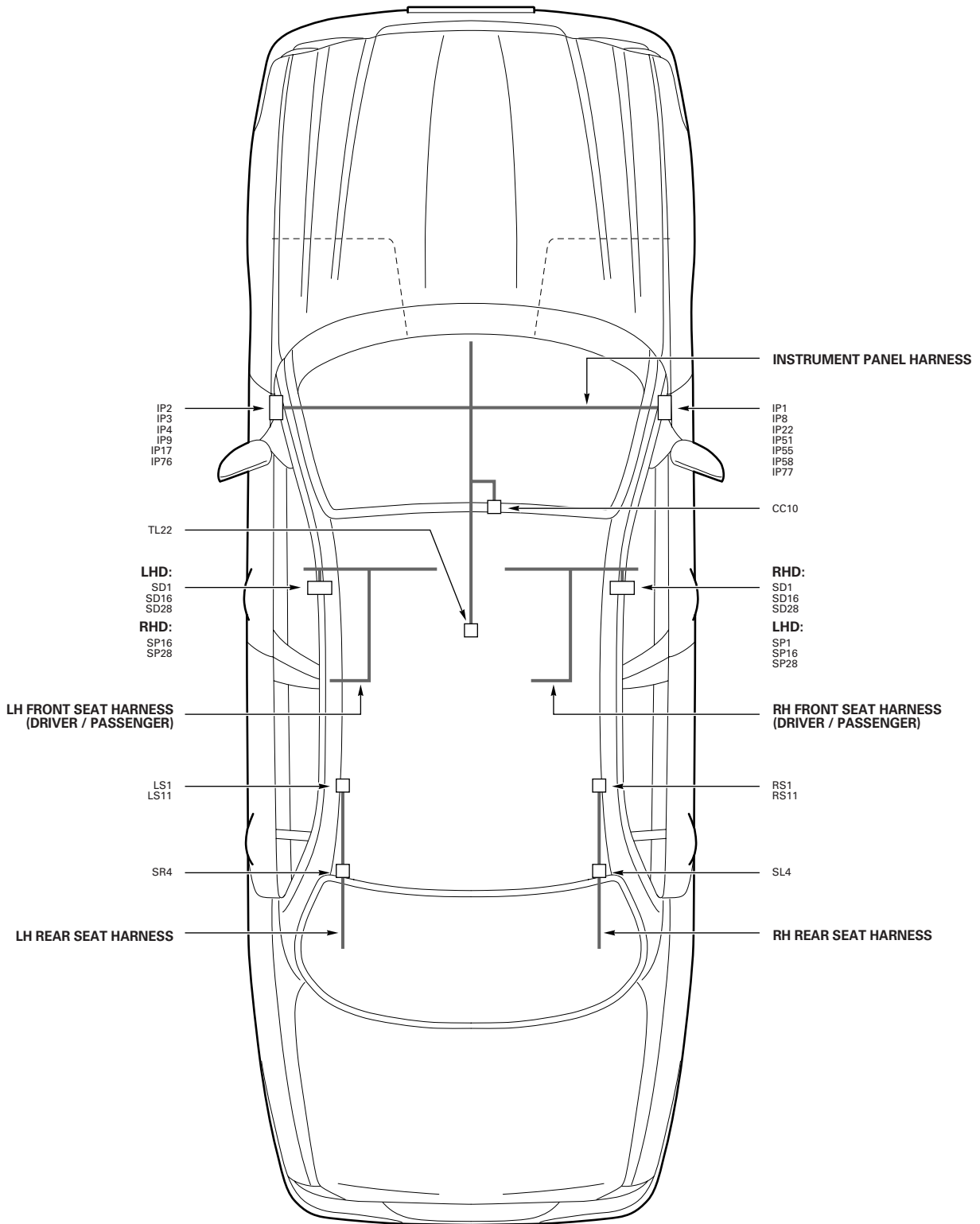
PASSENGER JUNCTION FUSE BOX



REAR POWER DISTRIBUTION FUSE BOX

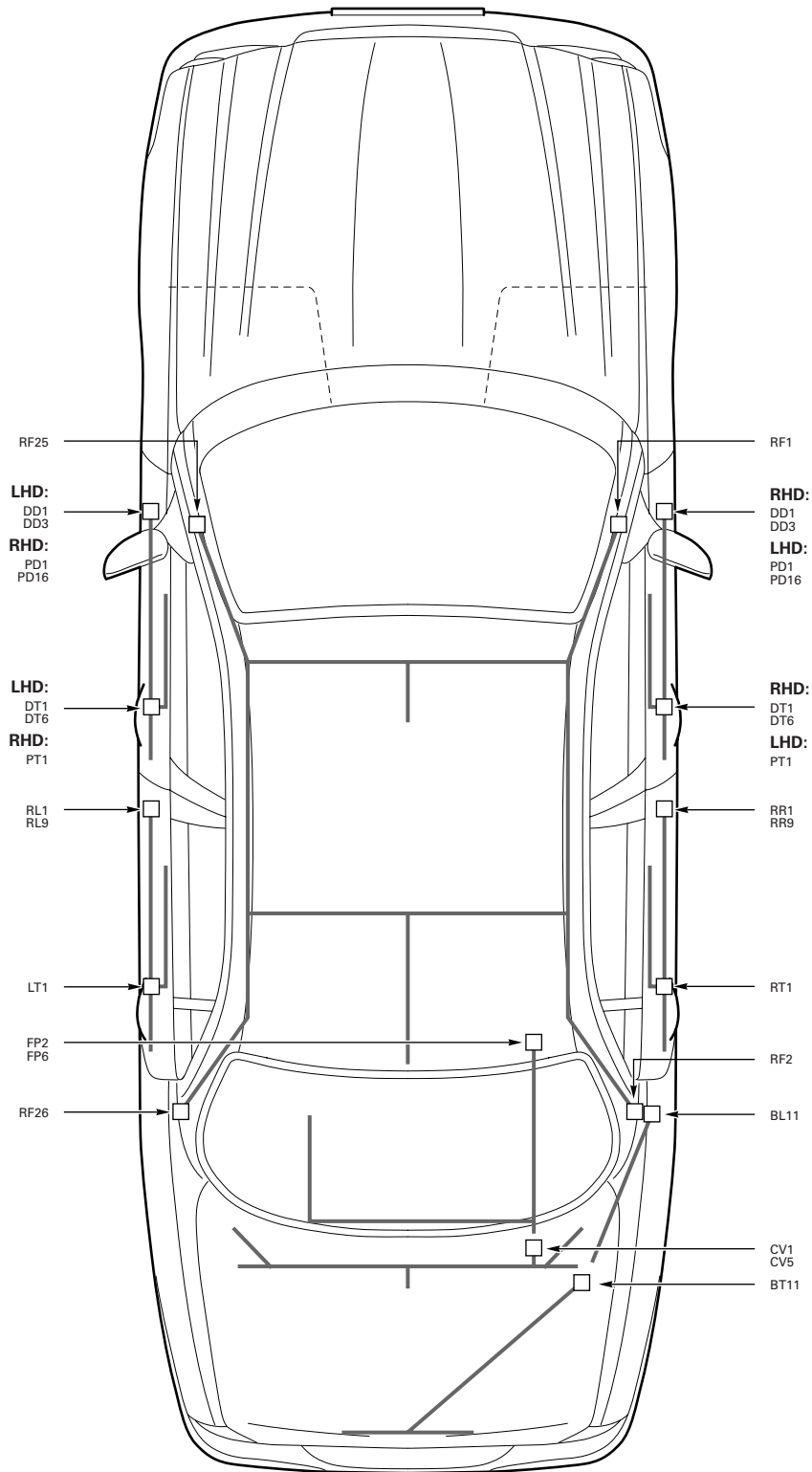


Instrument Panel and Seat Harnesses



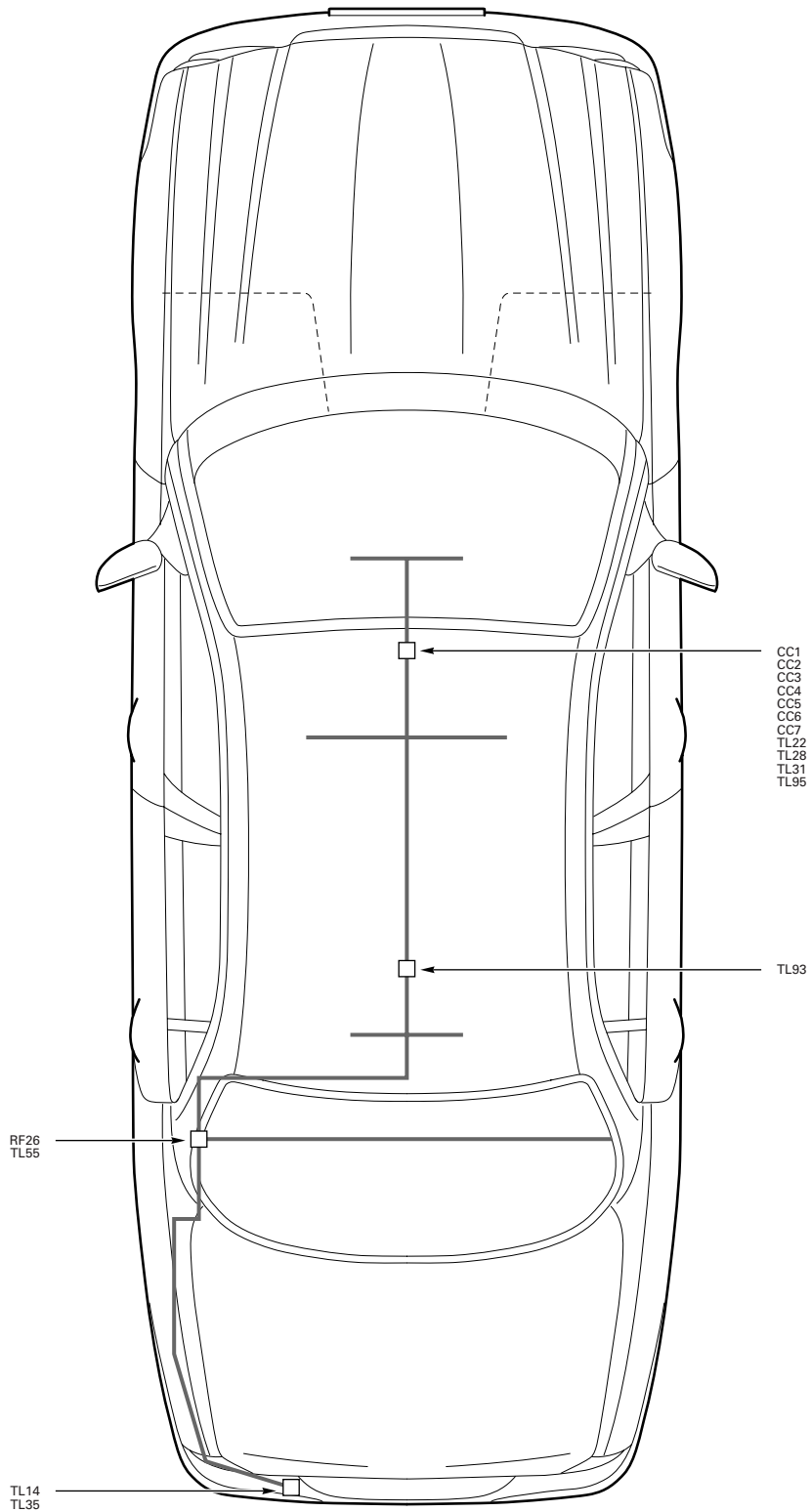


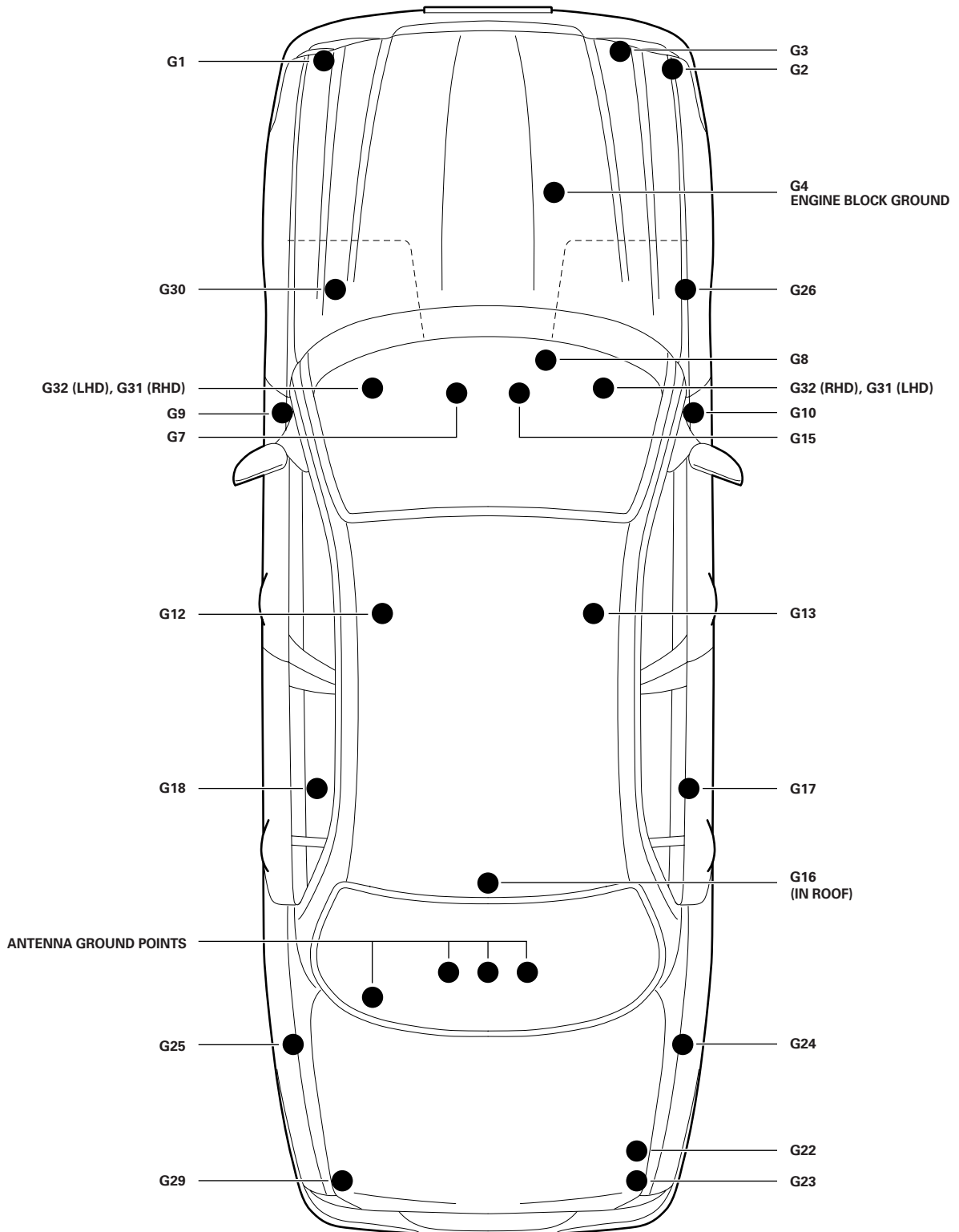
Small Harnesses





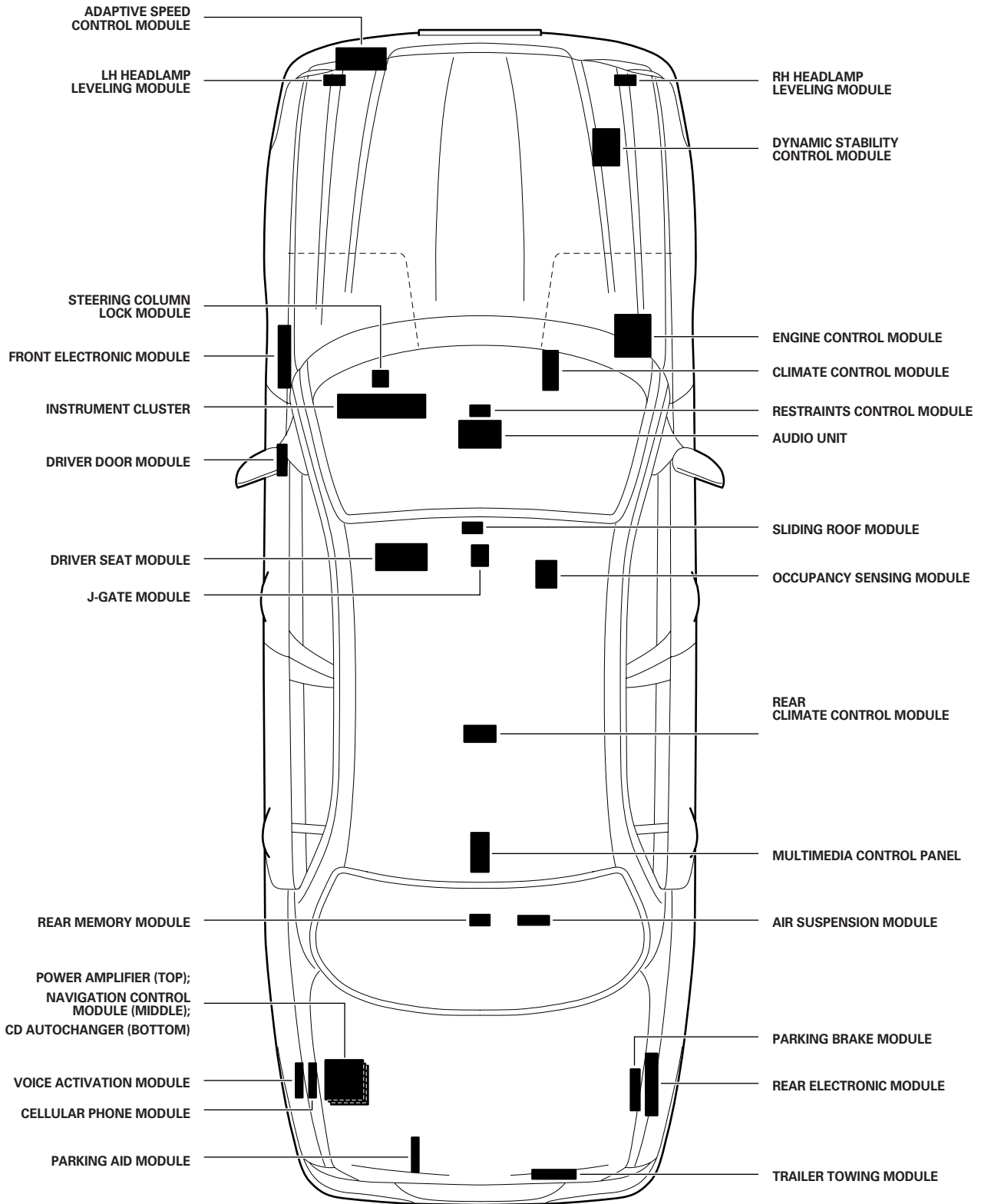
Telematics Harness





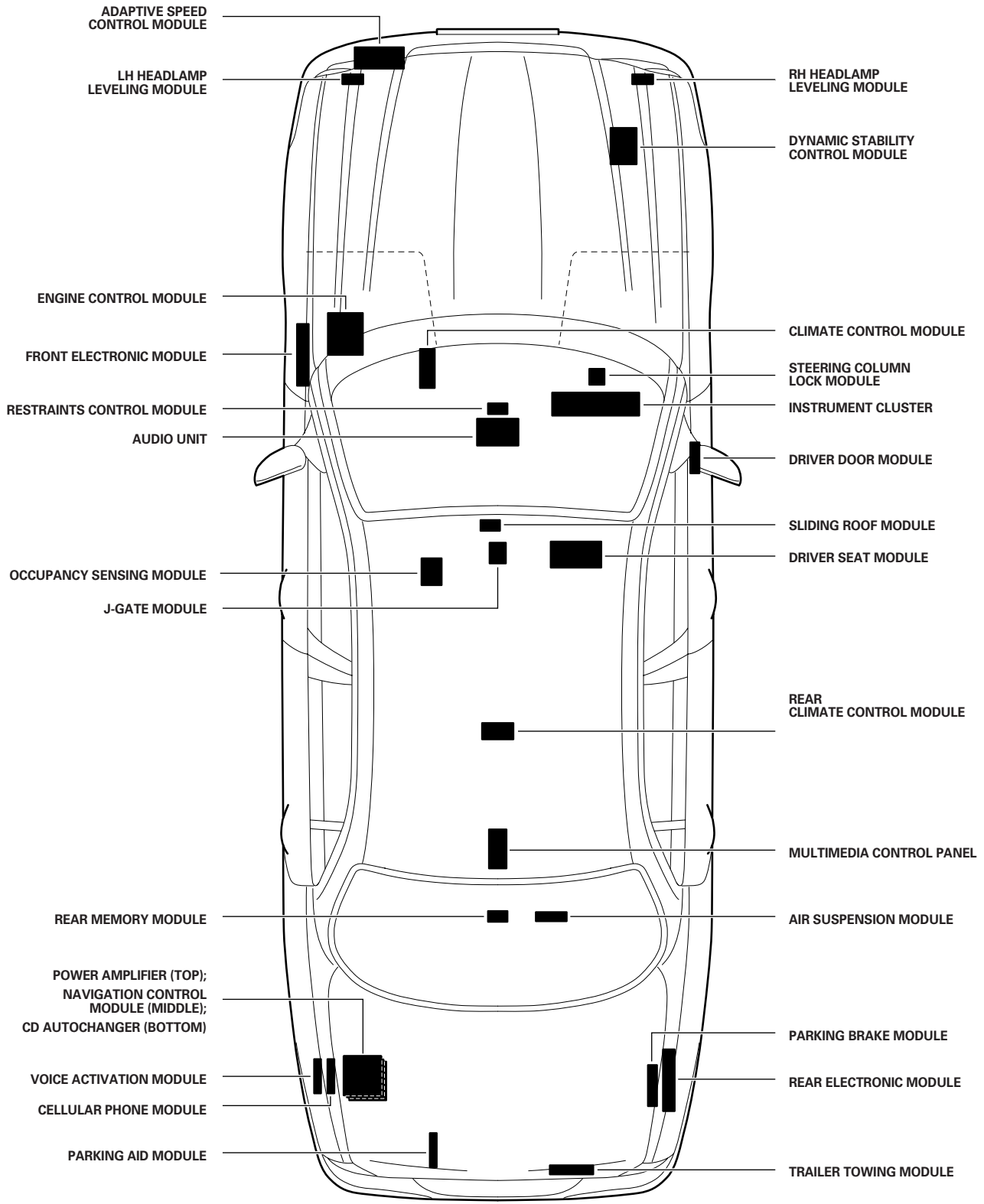


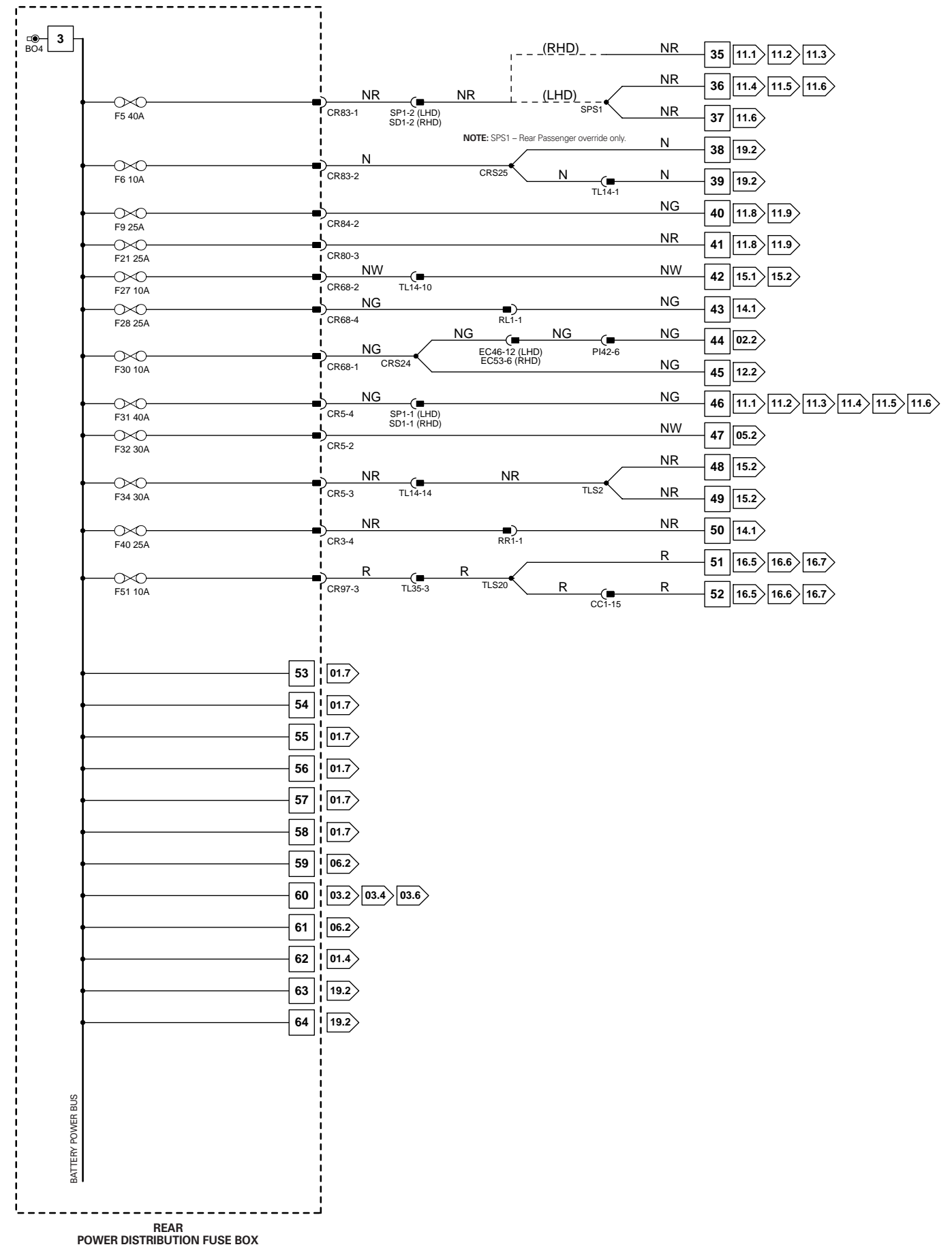
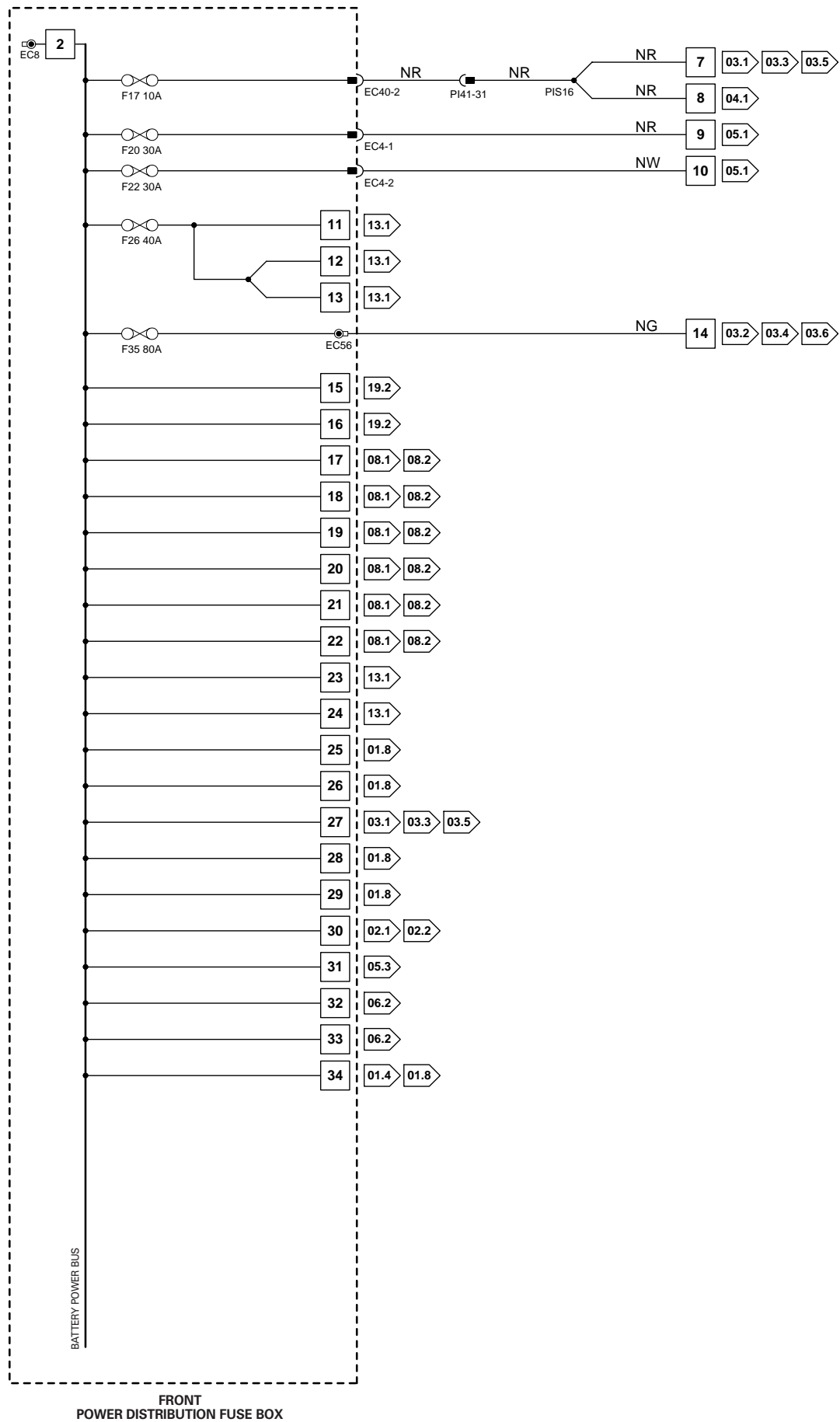
LHD

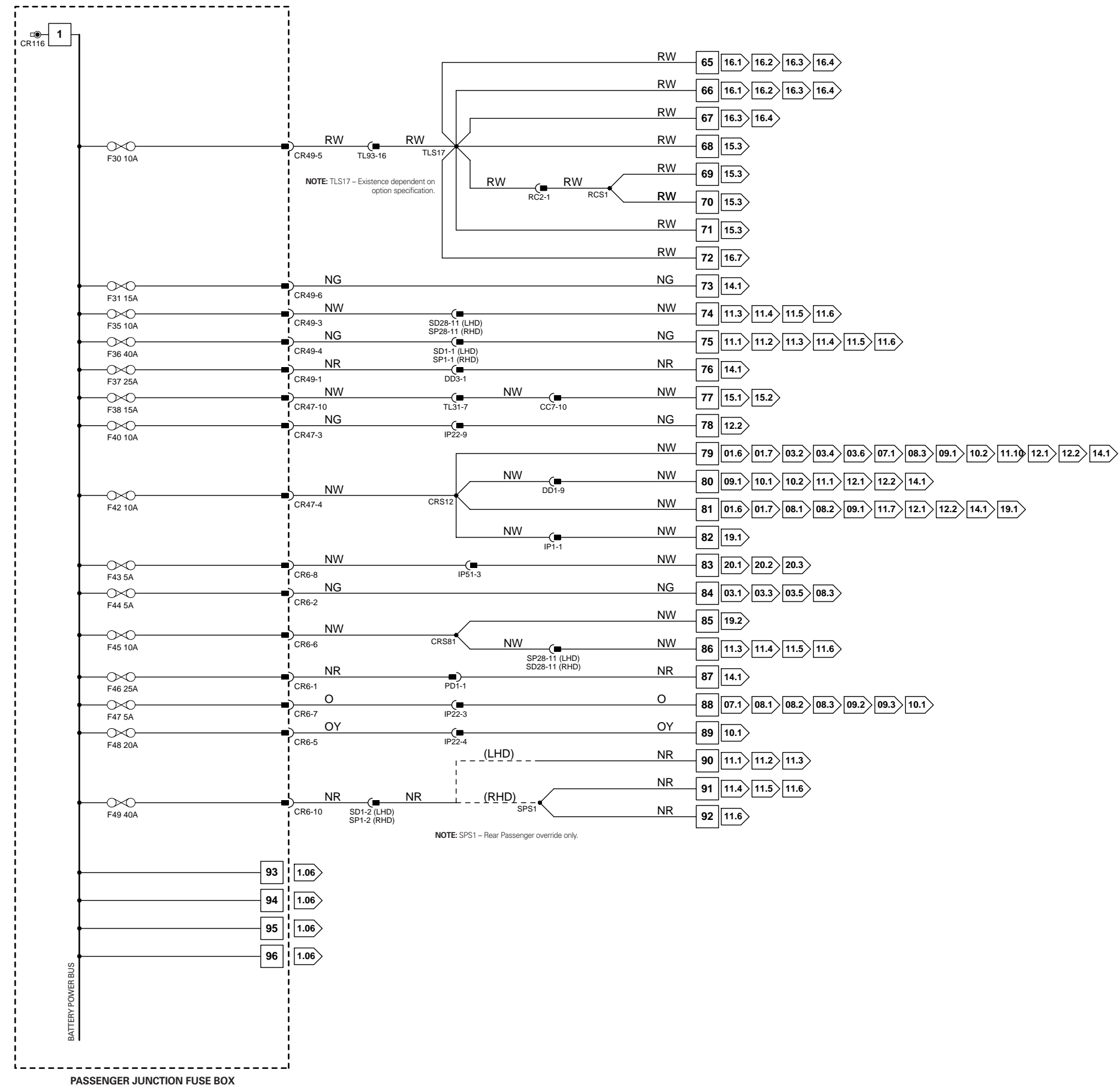


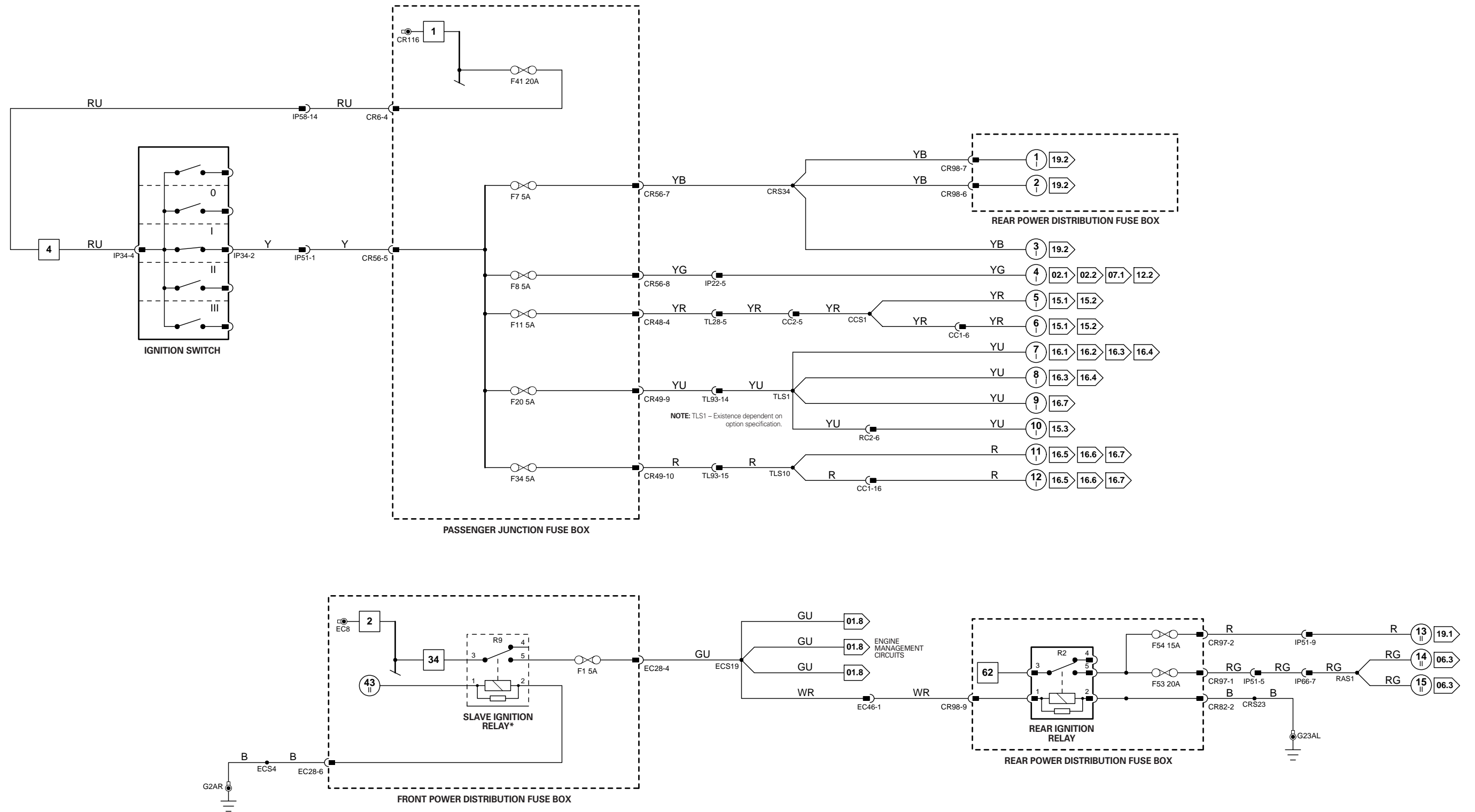


RHD

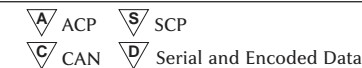
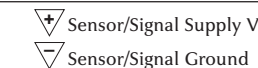
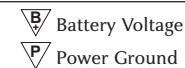
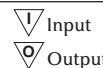
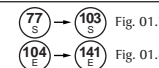
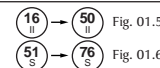
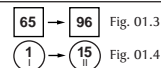
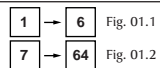








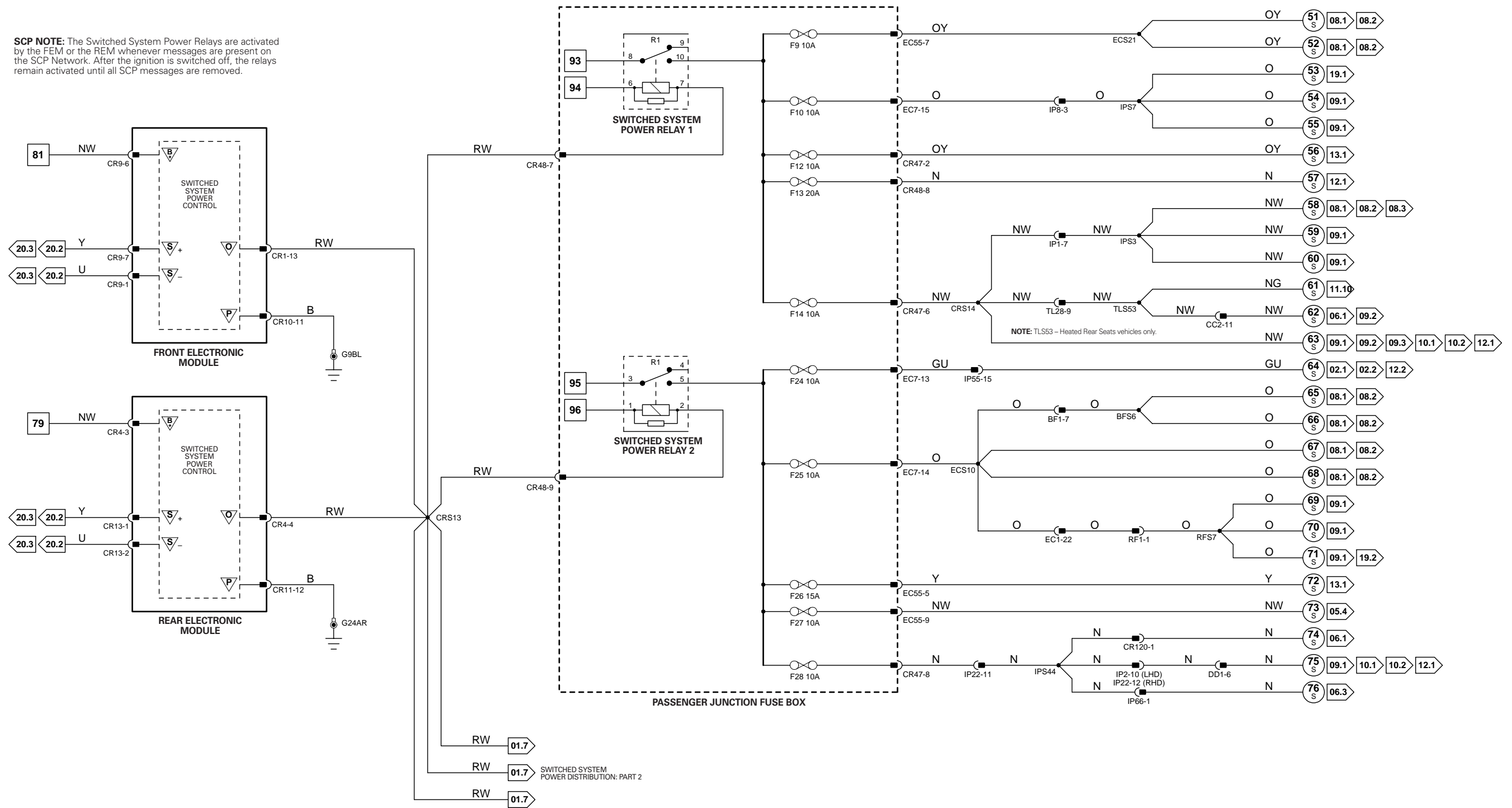
*NOTE: Refer to Fig. 01.8 for complete Slave Ignition Relay circuit details.



VARIANT: All Vehicles
VIN RANGE: All
DATE OF ISSUE: October 2002 (PROVISIONAL)

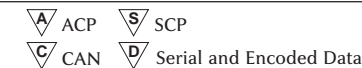
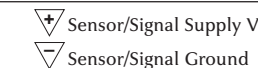
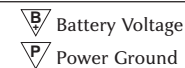
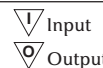
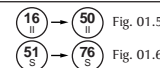
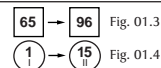
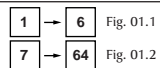
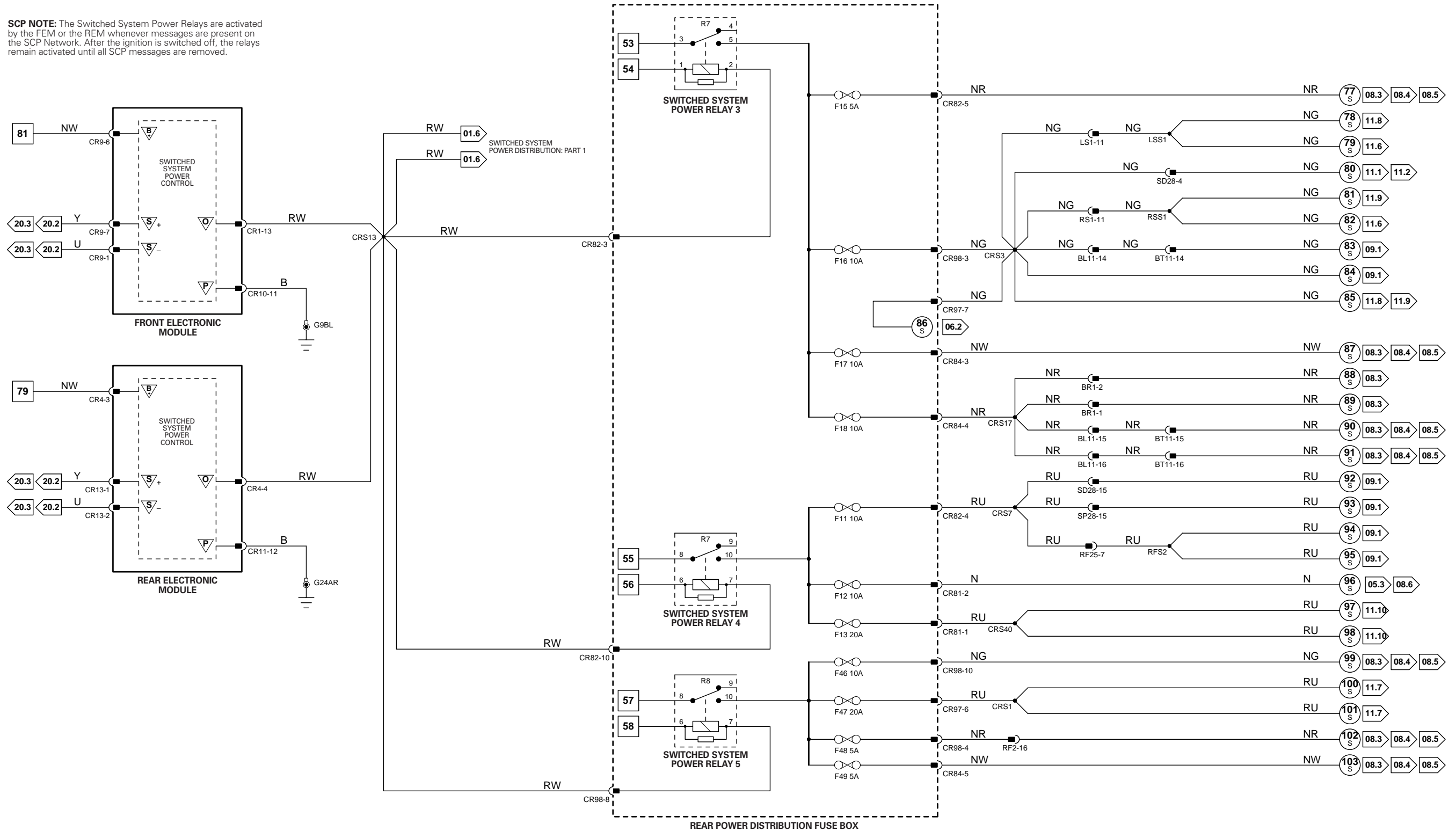


SCP NOTE: The Switched System Power Relays are activated by the FEM or the REM whenever messages are present on the SCP Network. After the ignition is switched off, the relays remain activated until all SCP messages are removed.

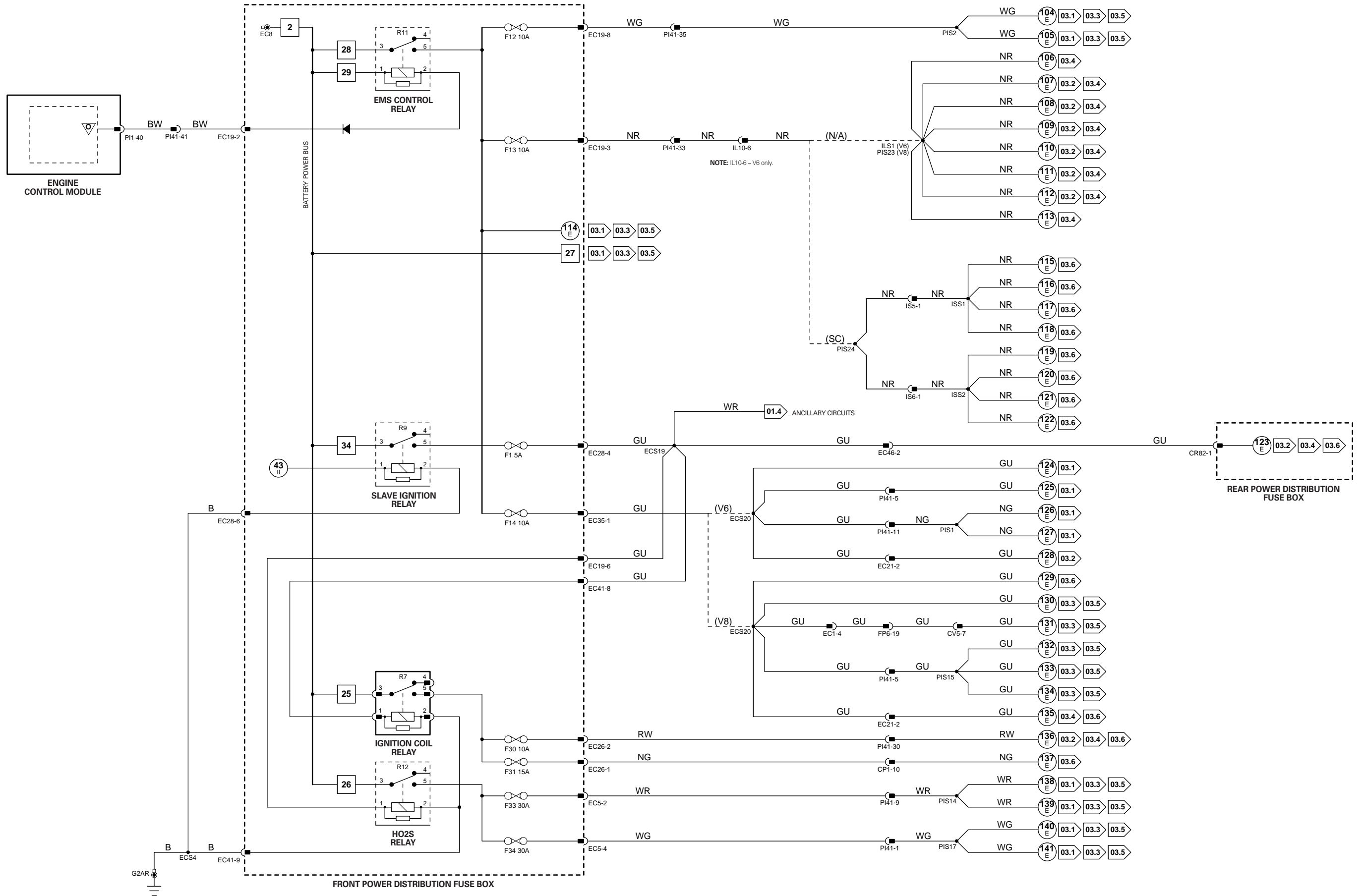


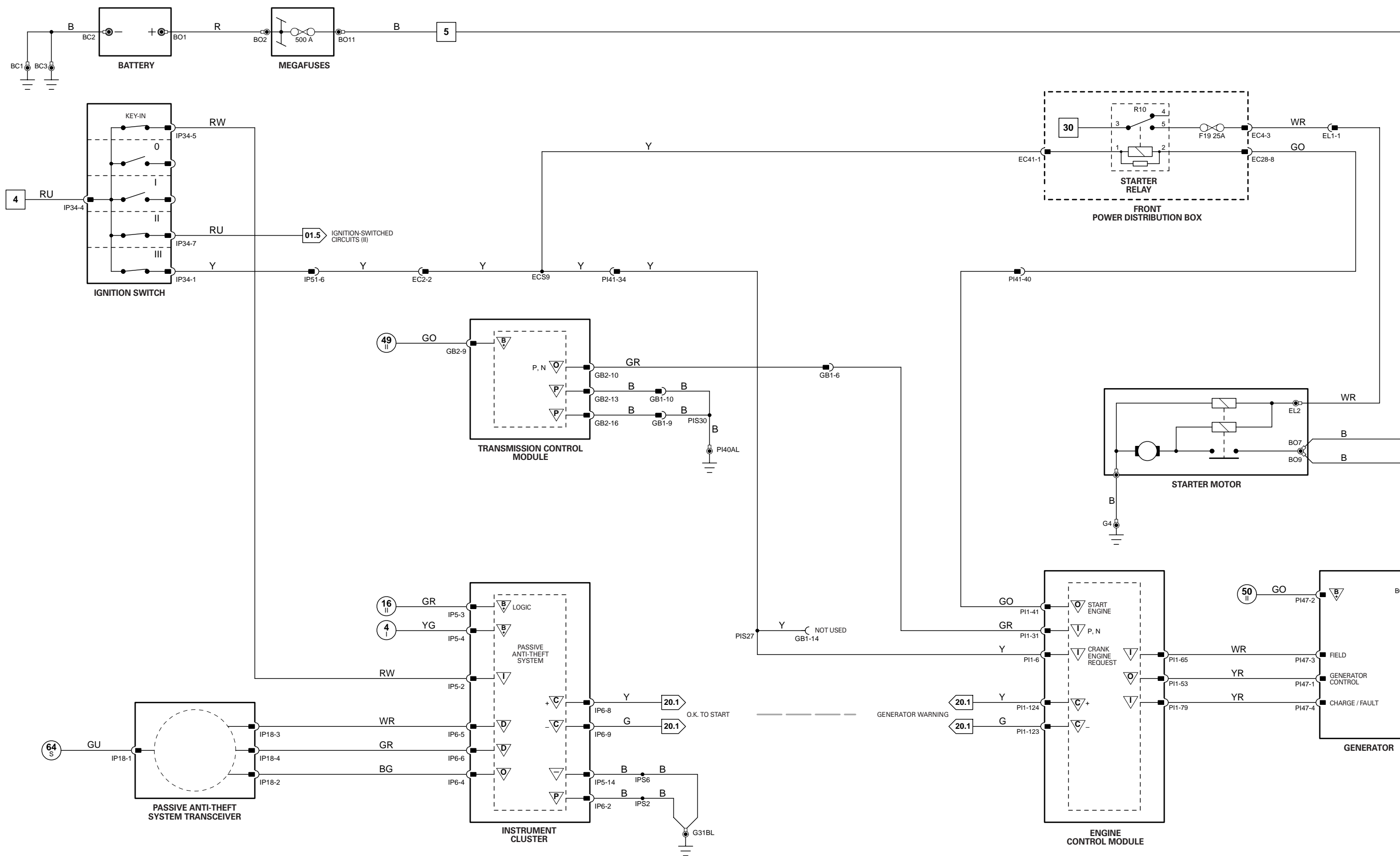


SCP NOTE: The Switched System Power Relays are activated by the FEM or the REM whenever messages are present on the SCP Network. After the ignition is switched off, the relays remain activated until all SCP messages are removed.



VARIANT: All Vehicles
VIN RANGE: All
DATE OF ISSUE: October 2002 (PROVISIONAL)





1 → 6 Fig. 01.1
7 → 64 Fig. 01.2

65 → 96 Fig. 01.3
1 → 15 Fig. 01.4

16 → 50 Fig. 01.5
51 → 76 Fig. 01.6

77 → 103 Fig. 01.7
104 → 141 Fig. 01.8

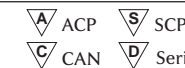
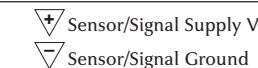
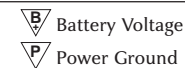
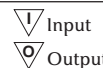
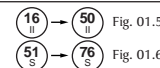
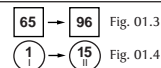
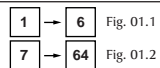
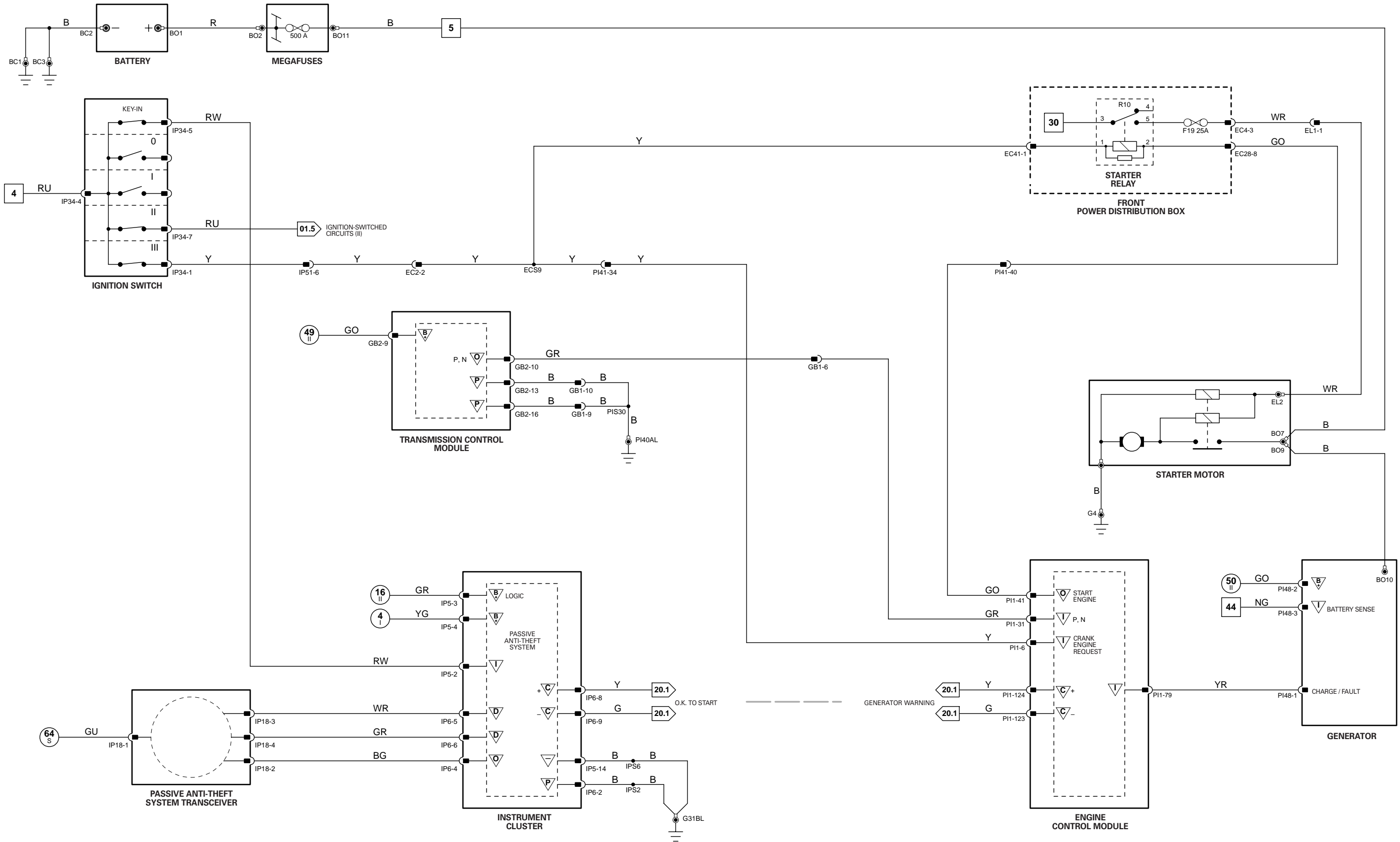
▽ Input
▽ Output

▽ Battery Voltage
▽ Power Ground

▽ Sensor/Signal Supply V
▽ Sensor/Signal Ground

▽ ACP
▽ SCP
▽ CAN
▽ Serial and Encoded Data

VARIANT: V6 Vehicles
VIN RANGE: All
DATE OF ISSUE: October 2002 (PROVISIONAL)

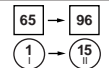
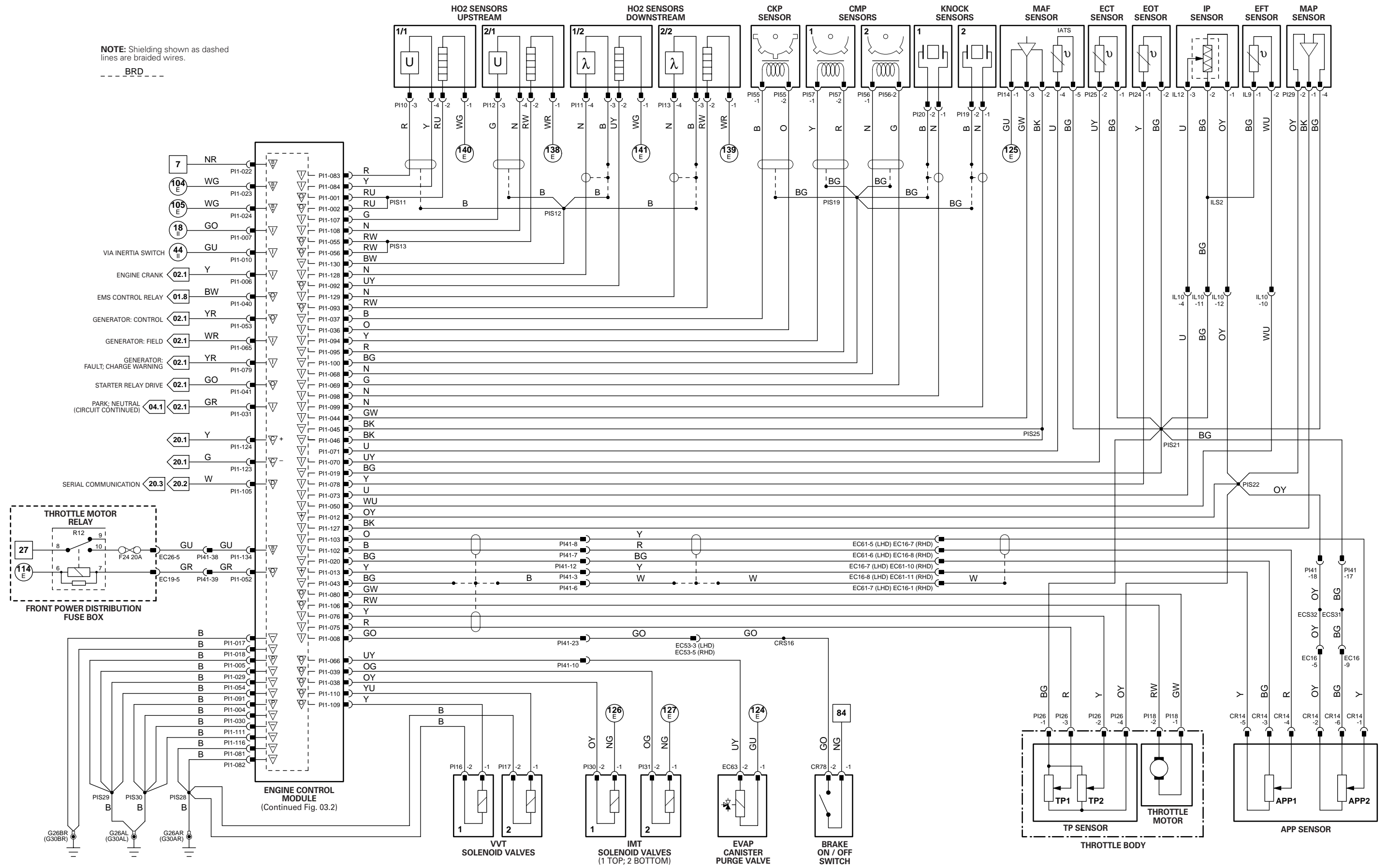


VARIANT: V8 Vehicles
 VIN RANGE: All
 DATE OF ISSUE: October 2002 (PROVISIONAL)

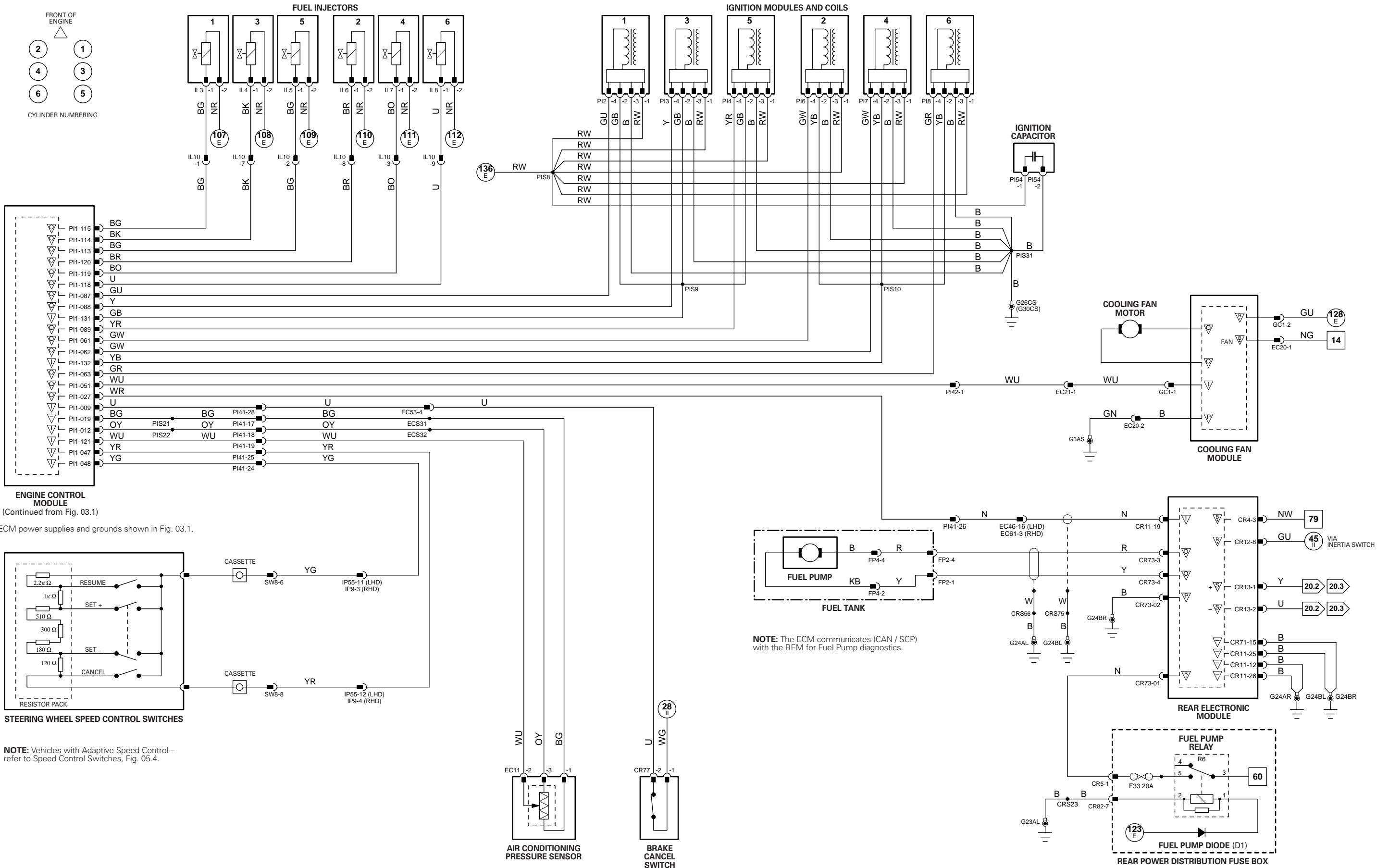


NOTE: Shielding shown as dashed lines are braided wires.

--- BRD ---



VARIANT: V6 Vehicles
 VIN RANGE: All
 DATE OF ISSUE: October 2002 (PROVISIONAL)



1 → 6	Fig. 01.1	65 → 96	Fig. 01.3	16 → 50	Fig. 01.5	77 → 103	Fig. 01.7
7 → 64	Fig. 01.2	1 → 15	Fig. 01.4	51 → 76	Fig. 01.6	104 → 141	Fig. 01.8

▽ Input	⊖ Battery Voltage	▽ Sensor/Signal Supply V	⊖ ACP	⊖ SCP
▽ Output	⊖ Power Ground	▽ Sensor/Signal Ground	⊖ CAN	⊖ Serial and Encoded Data

VARIANT: V6 Vehicles
VIN RANGE: All
DATE OF ISSUE: October 2002 (PROVISIONAL)

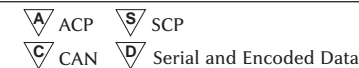
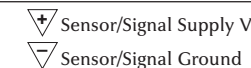
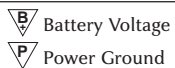
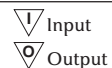
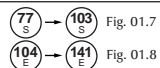
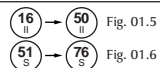
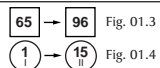
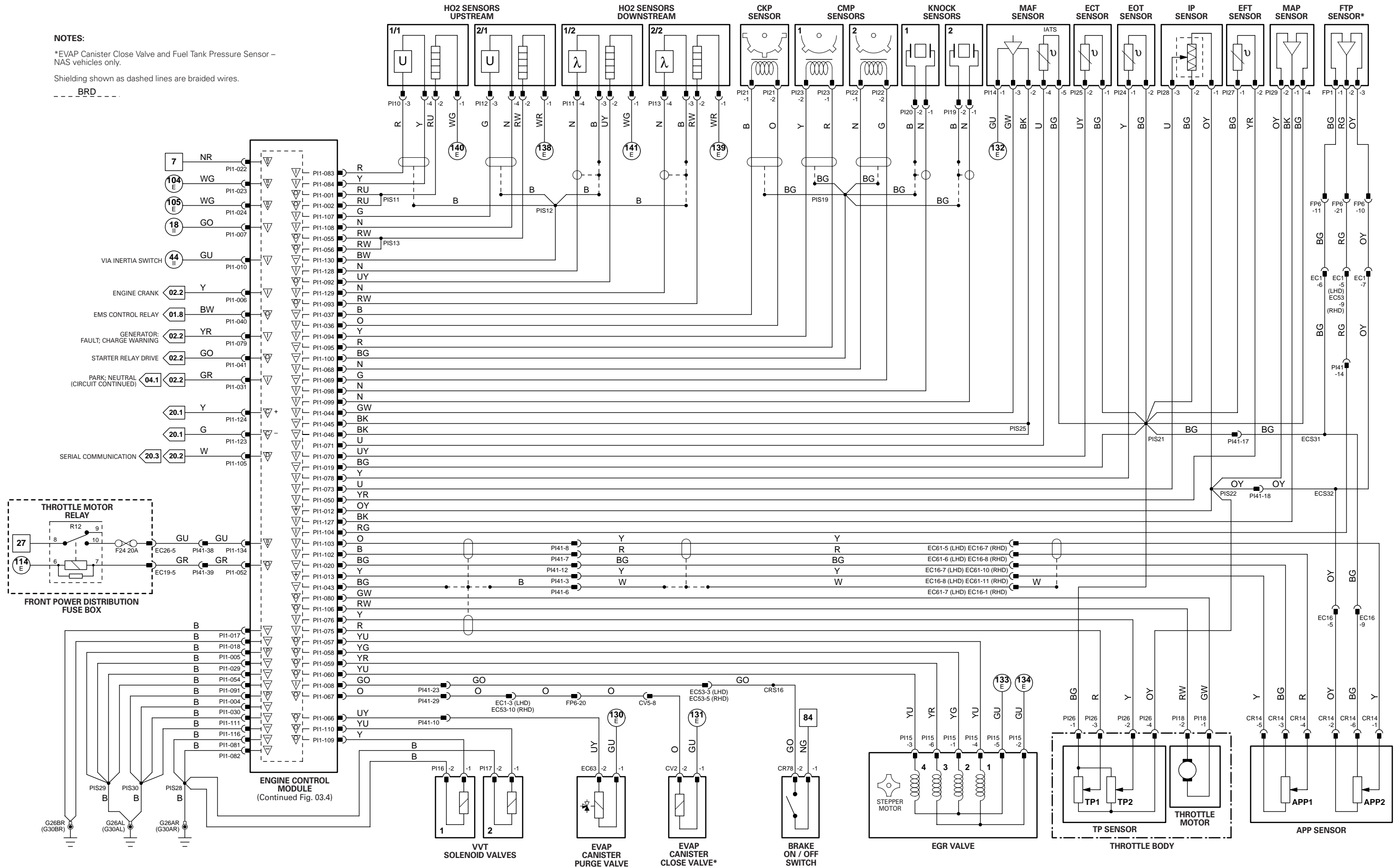


NOTES:

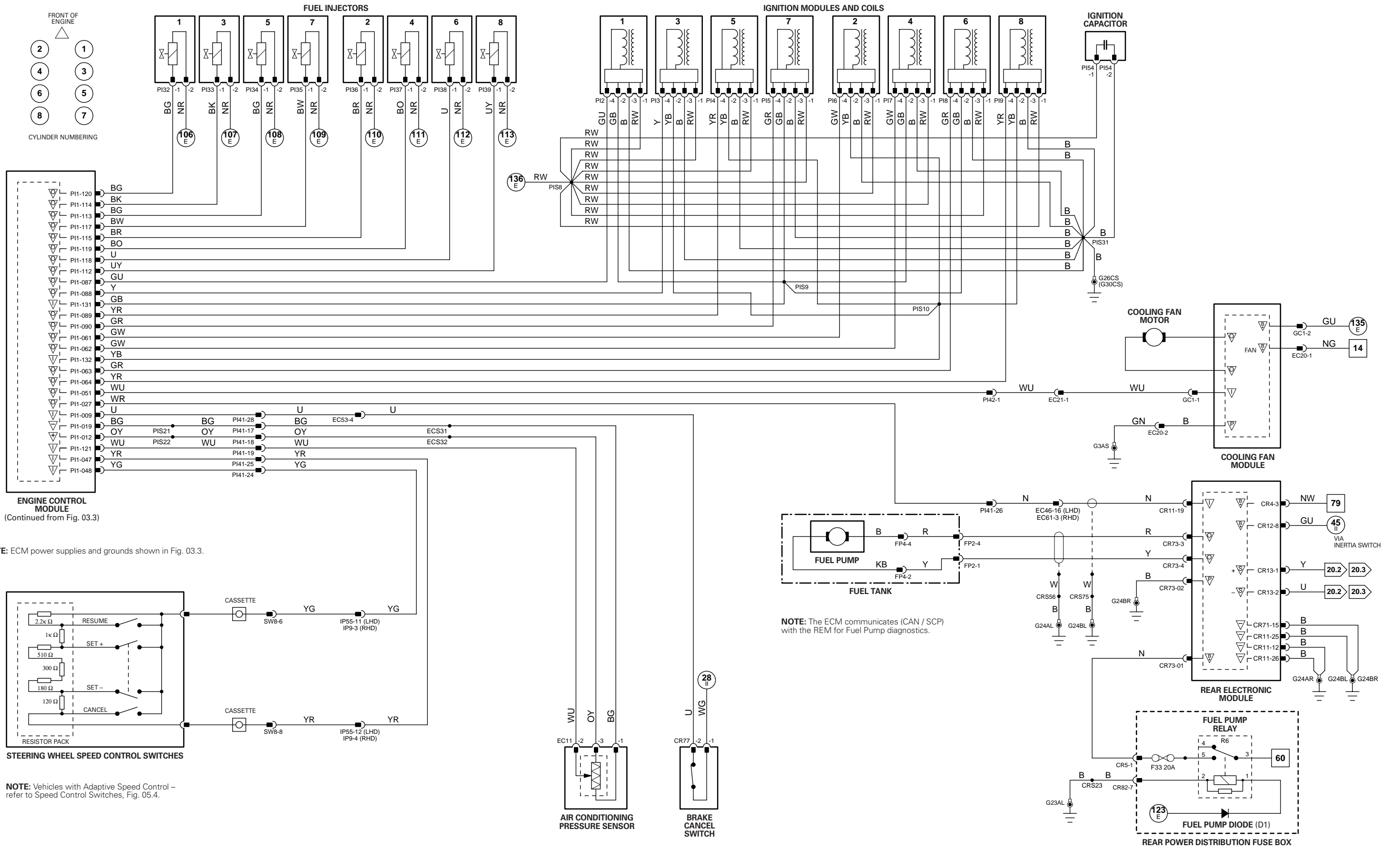
*EVAP Canister Close Valve and Fuel Tank Pressure Sensor - NAS vehicles only.

Shielding shown as dashed lines are braided wires.

--- BRD ---



VARIANT: V8 N/A Vehicles
VIN RANGE: All
DATE OF ISSUE: October 2002 (PROVISIONAL)



1 → 6 Fig. 01.1	65 → 96 Fig. 01.3	16 → 50 Fig. 01.5	77 → 103 Fig. 01.7
7 → 64 Fig. 01.2	1 → 15 Fig. 01.4	51 → 76 Fig. 01.6	104 → 141 Fig. 01.8

▽ Input	⊖ Battery Voltage	▽ Sensor/Signal Supply V	▽ ACP	▽ SCP
▽ Output	⊕ Power Ground	▽ Sensor/Signal Ground	▽ CAN	▽ Serial and Encoded Data

VARIANT: V8 N/A Vehicles
VIN RANGE: All
DATE OF ISSUE: October 2002 (PROVISIONAL)

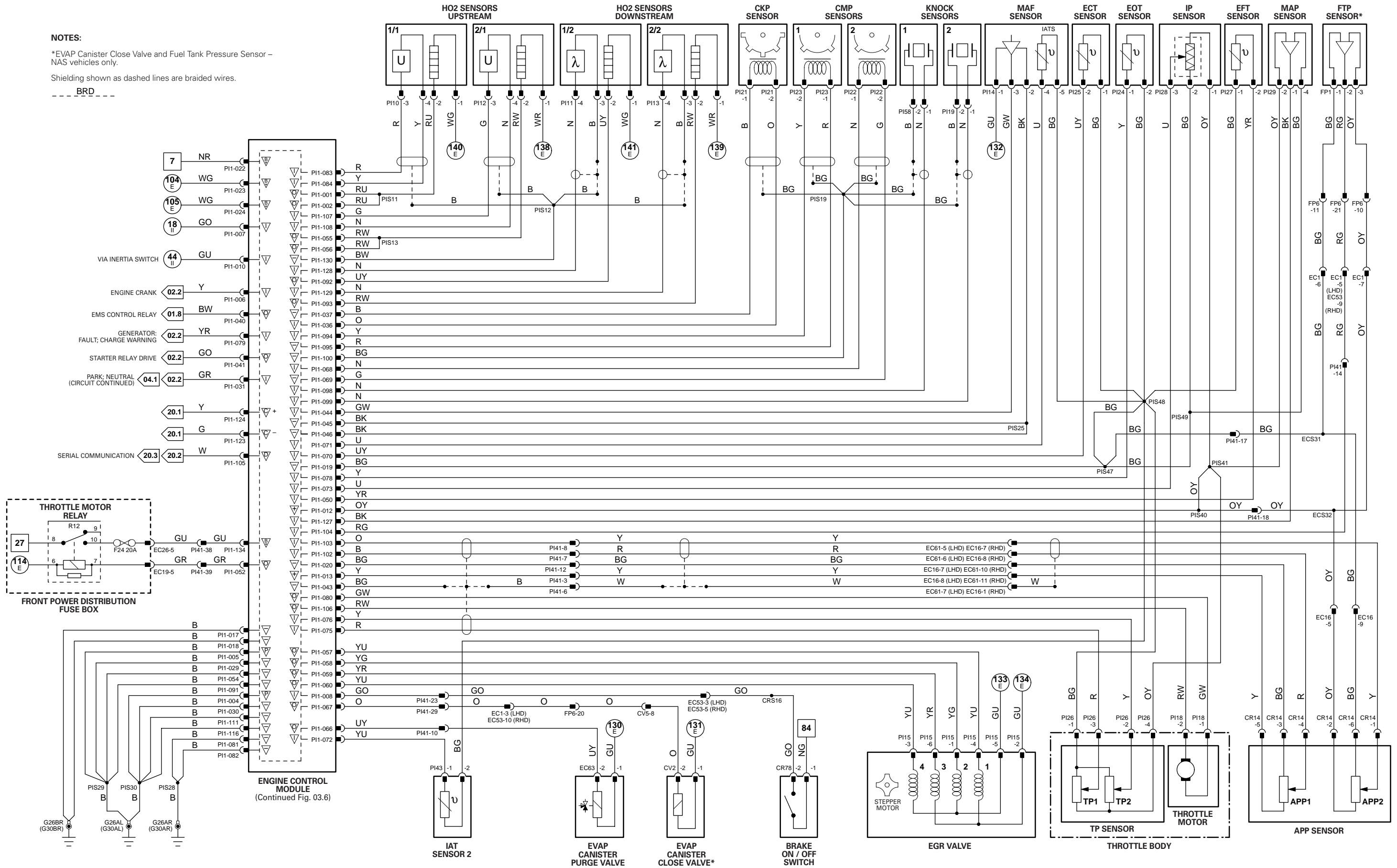


NOTES:

*EVAP Canister Close Valve and Fuel Tank Pressure Sensor - NAS vehicles only.

Shielding shown as dashed lines are braided wires.

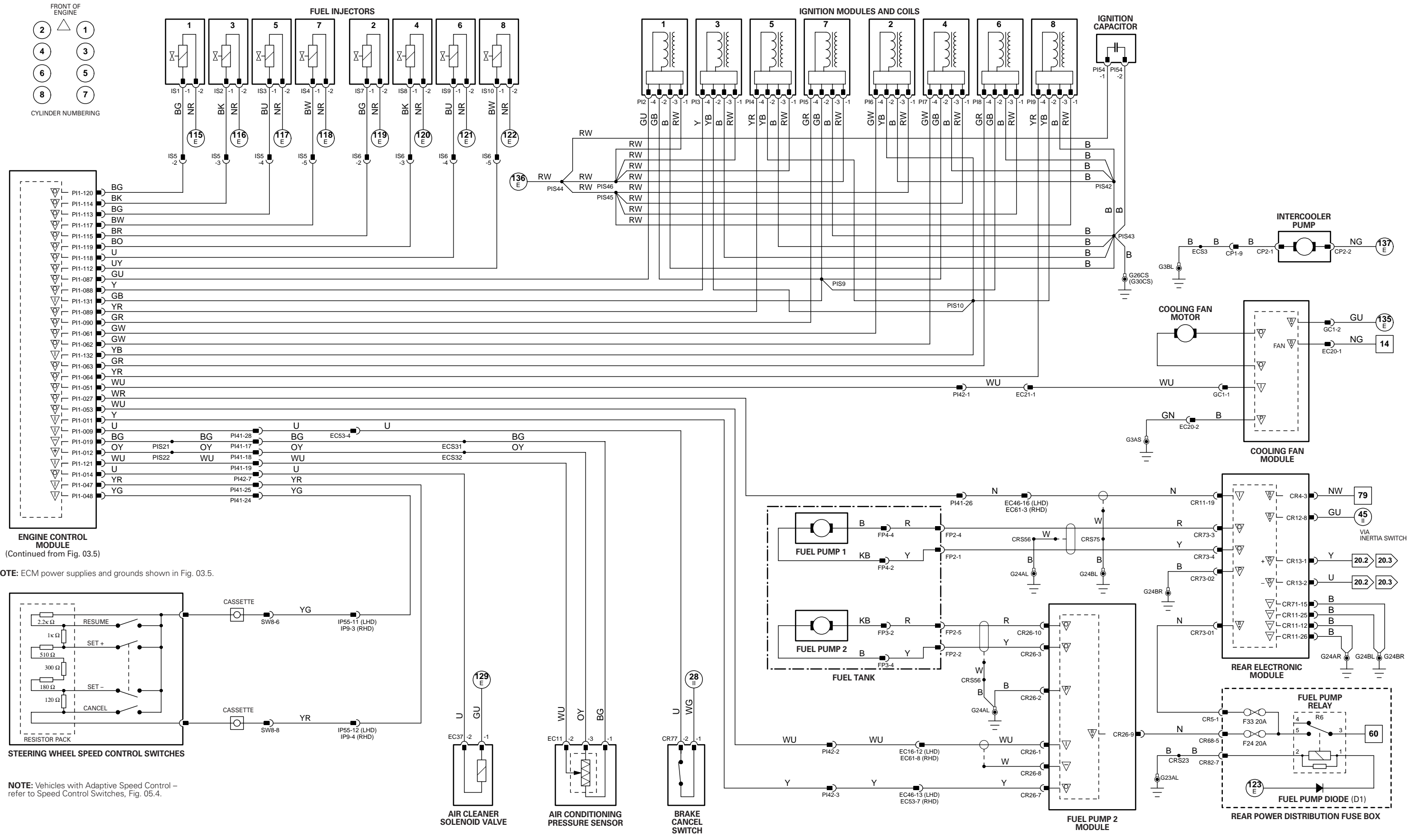
--- BRD ---



1 → 6	65 → 96	16 → 50	77 → 103
7 → 64	1 → 15	51 → 76	104 → 141

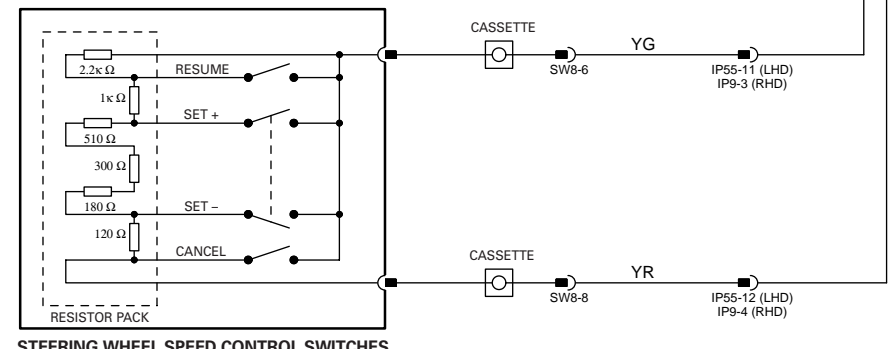
▽ Input	⊖ Battery Voltage	▽ Sensor/Signal Supply V	▽ ACP	▽ SCP
▽ Output	⊖ Power Ground	▽ Sensor/Signal Ground	▽ CAN	▽ Serial and Encoded Data

VARIANT: V8 SC Vehicles
 VIN RANGE: All
 DATE OF ISSUE: October 2002 (PROVISIONAL)



ENGINE CONTROL MODULE (Continued from Fig. 03.5)

NOTE: ECM power supplies and grounds shown in Fig. 03.5.

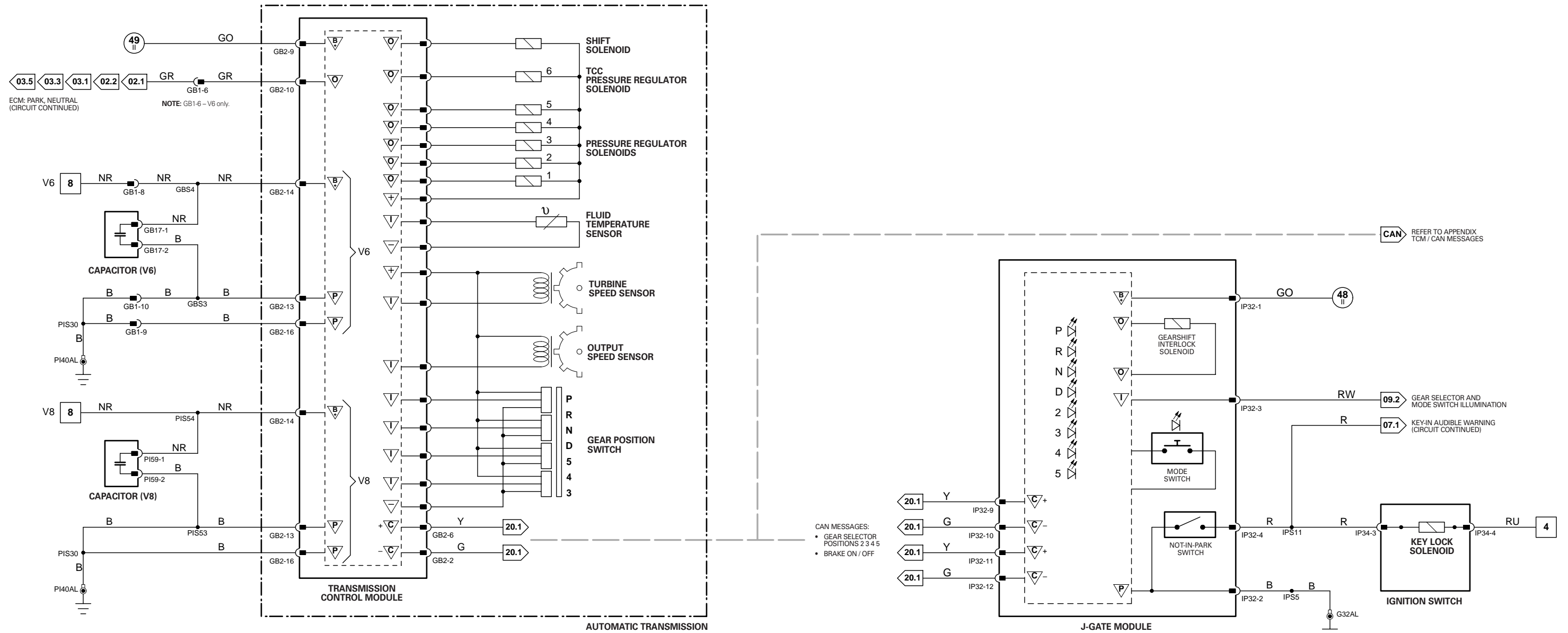


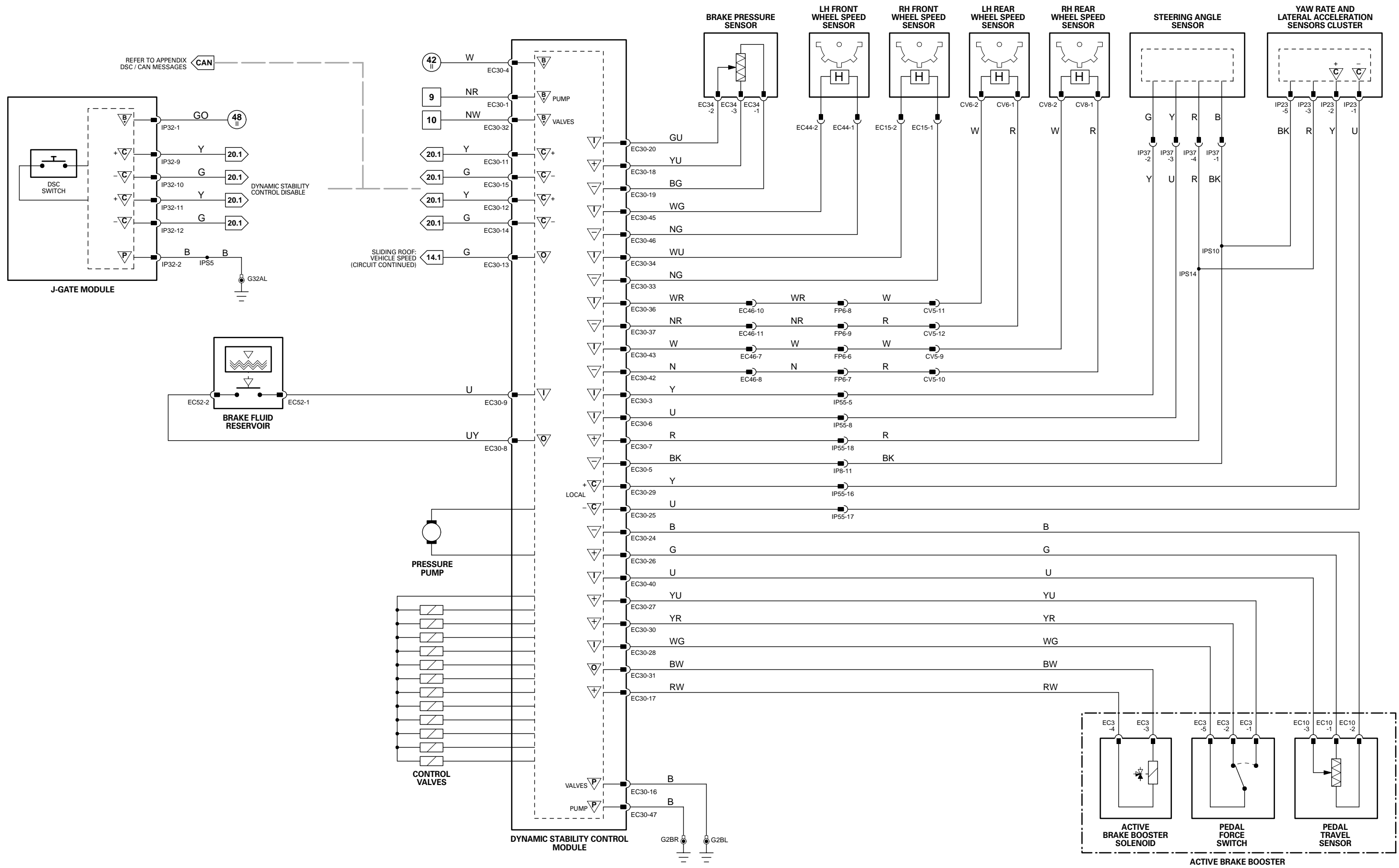
STEERING WHEEL SPEED CONTROL SWITCHES

NOTE: Vehicles with Adaptive Speed Control – refer to Speed Control Switches, Fig. 05.4.

1 → 6 Fig. 01.1	65 → 96 Fig. 01.3	16 → 50 Fig. 01.5	77 → 103 Fig. 01.7	Input	B Battery Voltage	∇ Sensor/Signal Supply V	∇ ACP	∇ SCP
7 → 64 Fig. 01.2	1 → 15 Fig. 01.4	51 → 76 Fig. 01.6	104 → 141 Fig. 01.8	Output	P Power Ground	∇ Sensor/Signal Ground	C CAN	∇ Serial and Encoded Data

VARIANT: V8 SC Vehicles
 VIN RANGE: All
 DATE OF ISSUE: October 2002 (PROVISIONAL)





1 → 6 Fig. 01.1

65 → 96 Fig. 01.3

16 → 50 Fig. 01.5

77 → 103 Fig. 01.7

Input

B Battery Voltage

∇ Sensor/Signal Supply V

∇ ACP

∇ SCP

7 → 64 Fig. 01.2

1 → 15 Fig. 01.4

51 → 76 Fig. 01.6

104 → 141 Fig. 01.8

Output

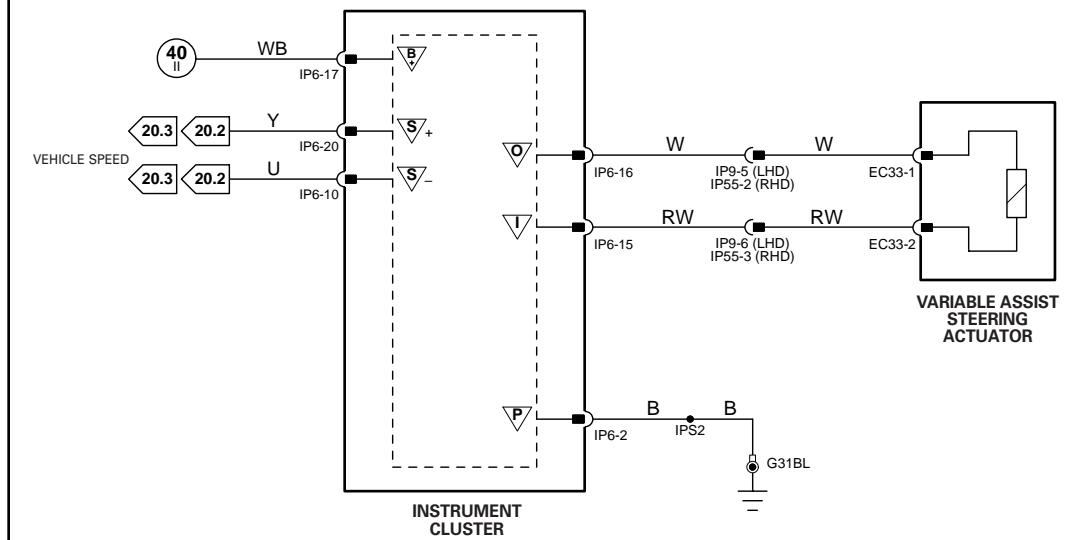
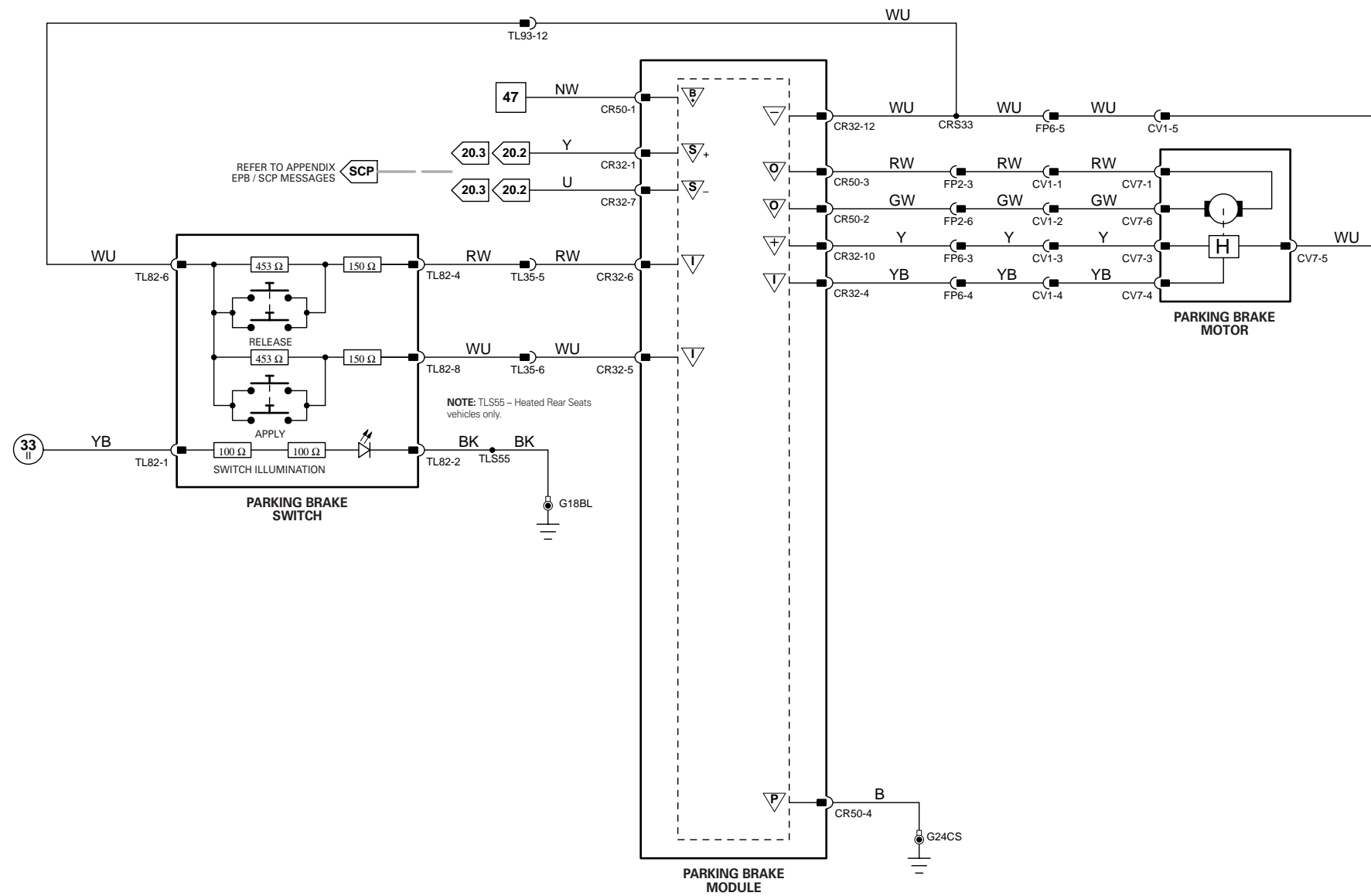
P Power Ground

∇ Sensor/Signal Ground

∇ CAN

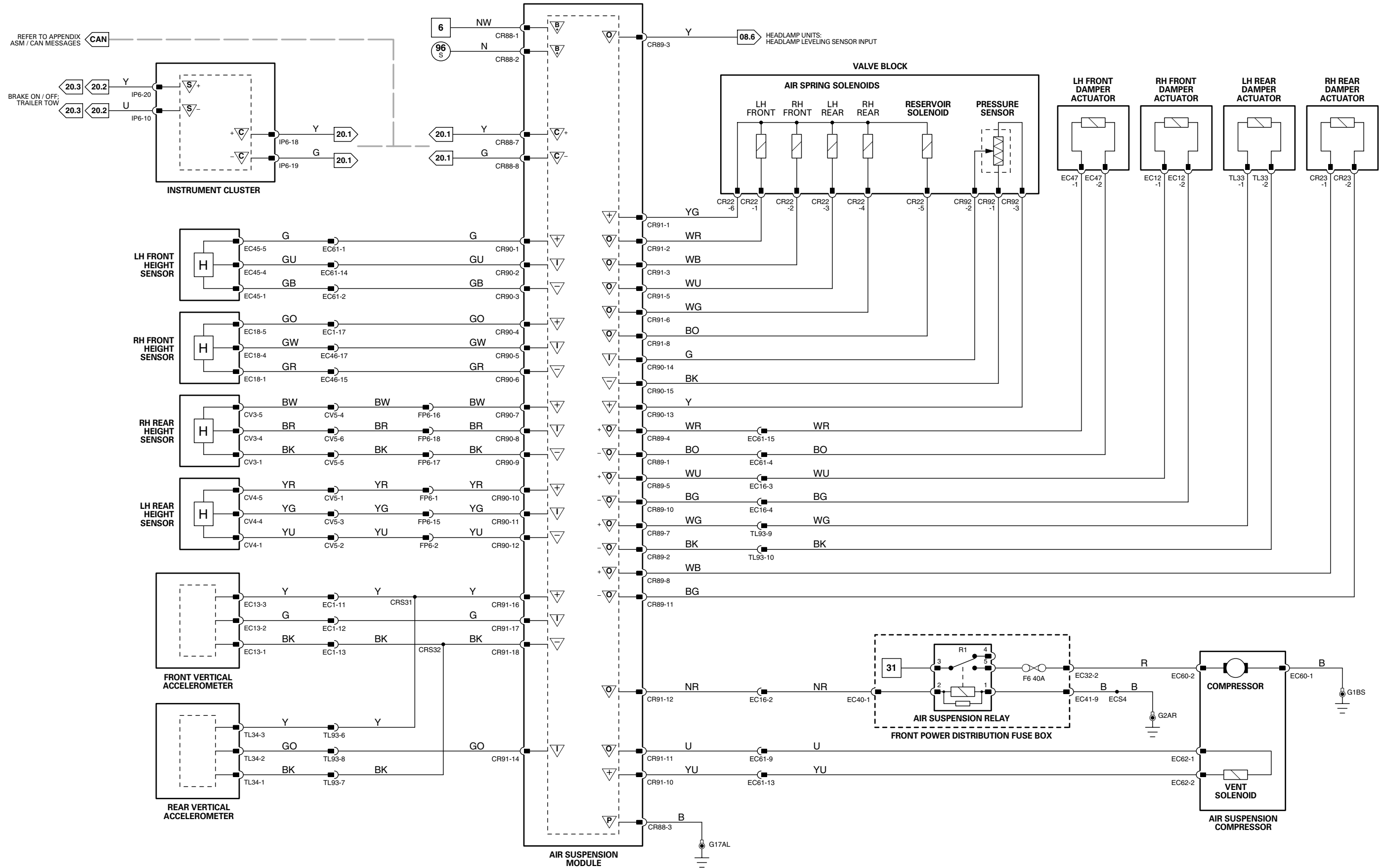
∇ Serial and Encoded Data

VARIANT: All Vehicles
VIN RANGE: All
DATE OF ISSUE: October 2002 (PROVISIONAL)



ELECTRONIC PARKING BRAKE

VARIABLE ASSIST POWER STEERING



1 → 6 Fig. 01.1
7 → 64 Fig. 01.2

65 → 96 Fig. 01.3
1 → 15 Fig. 01.4

16 → 50 Fig. 01.5
51 → 76 Fig. 01.6

77 → 103 Fig. 01.7
104 → 141 Fig. 01.8

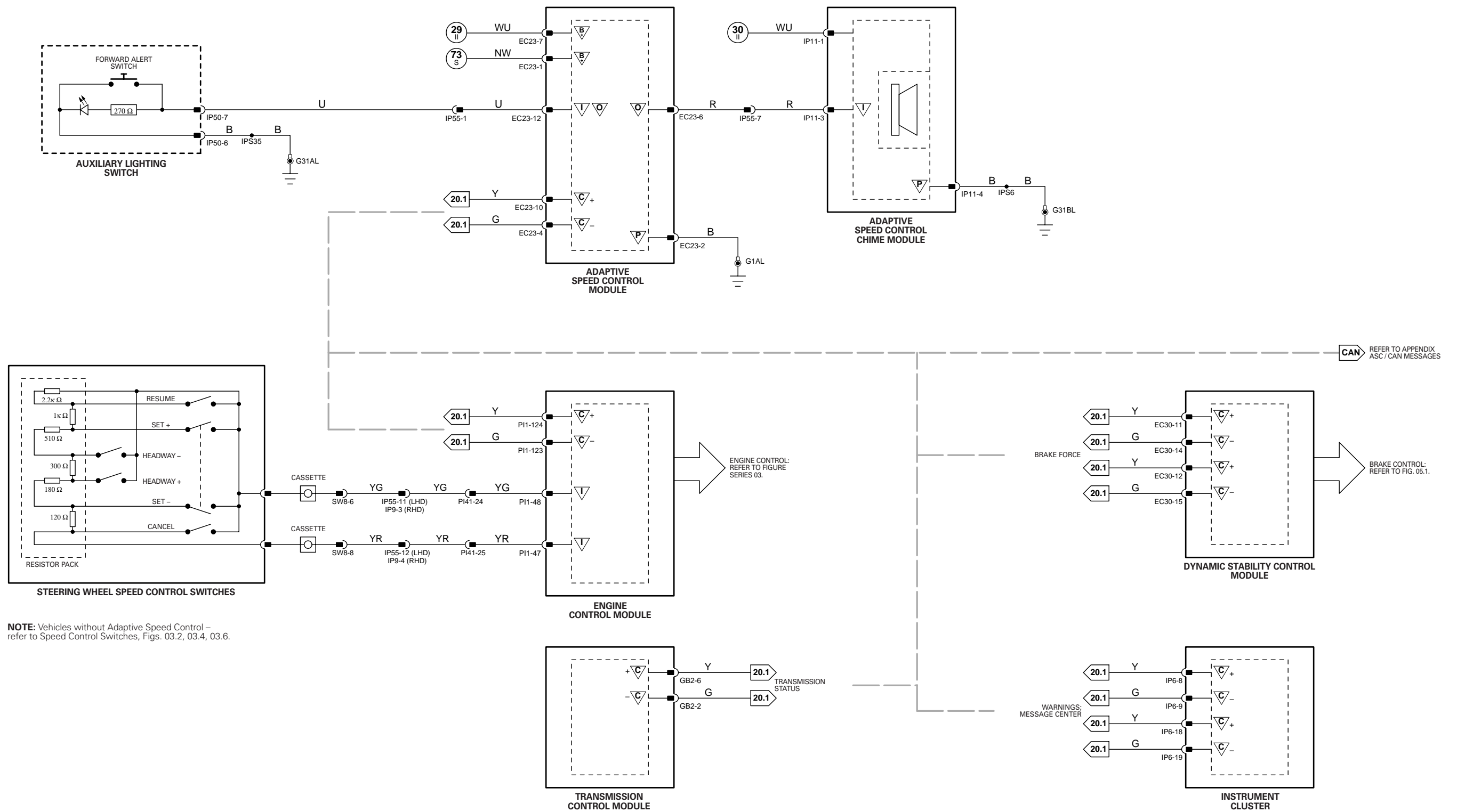
▽ Input
▽ Output

B Battery Voltage
P Power Ground

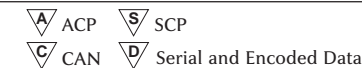
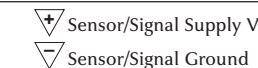
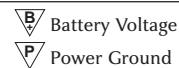
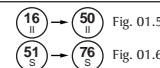
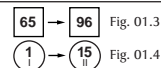
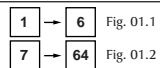
▽ Sensor/Signal Supply V
▽ Sensor/Signal Ground

▽ ACP
▽ CAN
▽ SCP
▽ Serial and Encoded Data

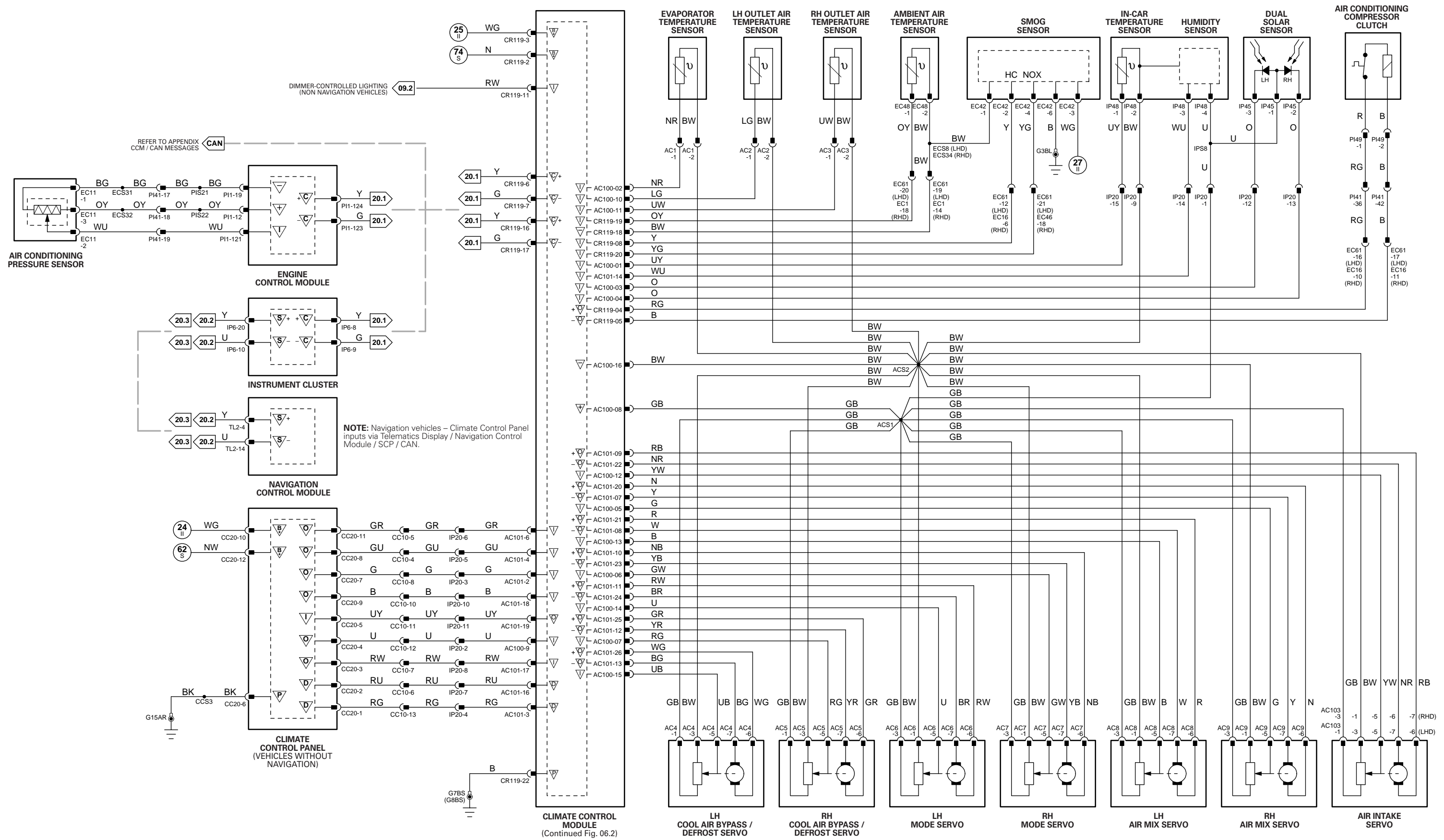
VARIANT: All Vehicles
VIN RANGE: All
DATE OF ISSUE: October 2002 (PROVISIONAL)



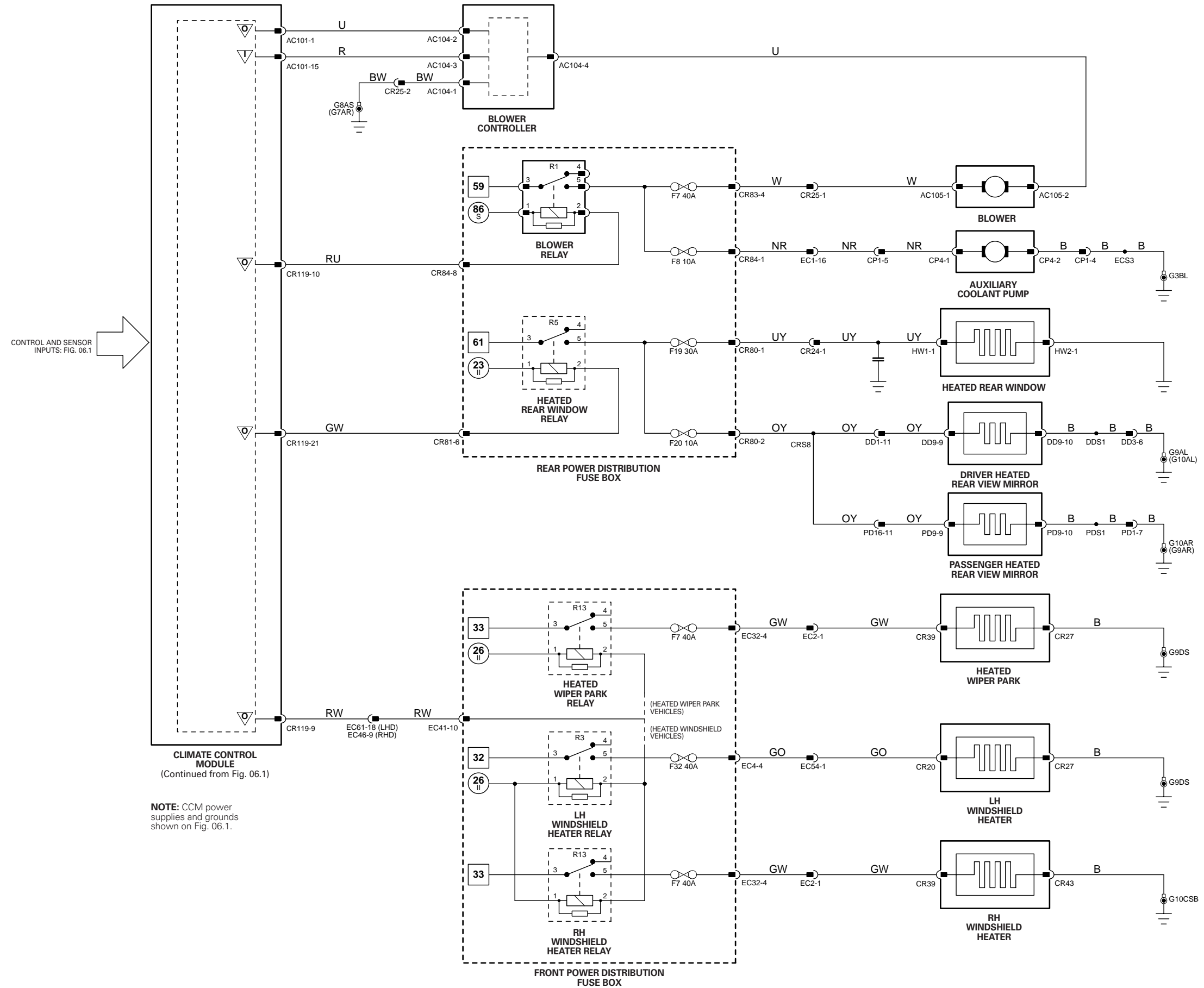
NOTE: Vehicles without Adaptive Speed Control – refer to Speed Control Switches, Figs. 03.2, 03.4, 03.6.



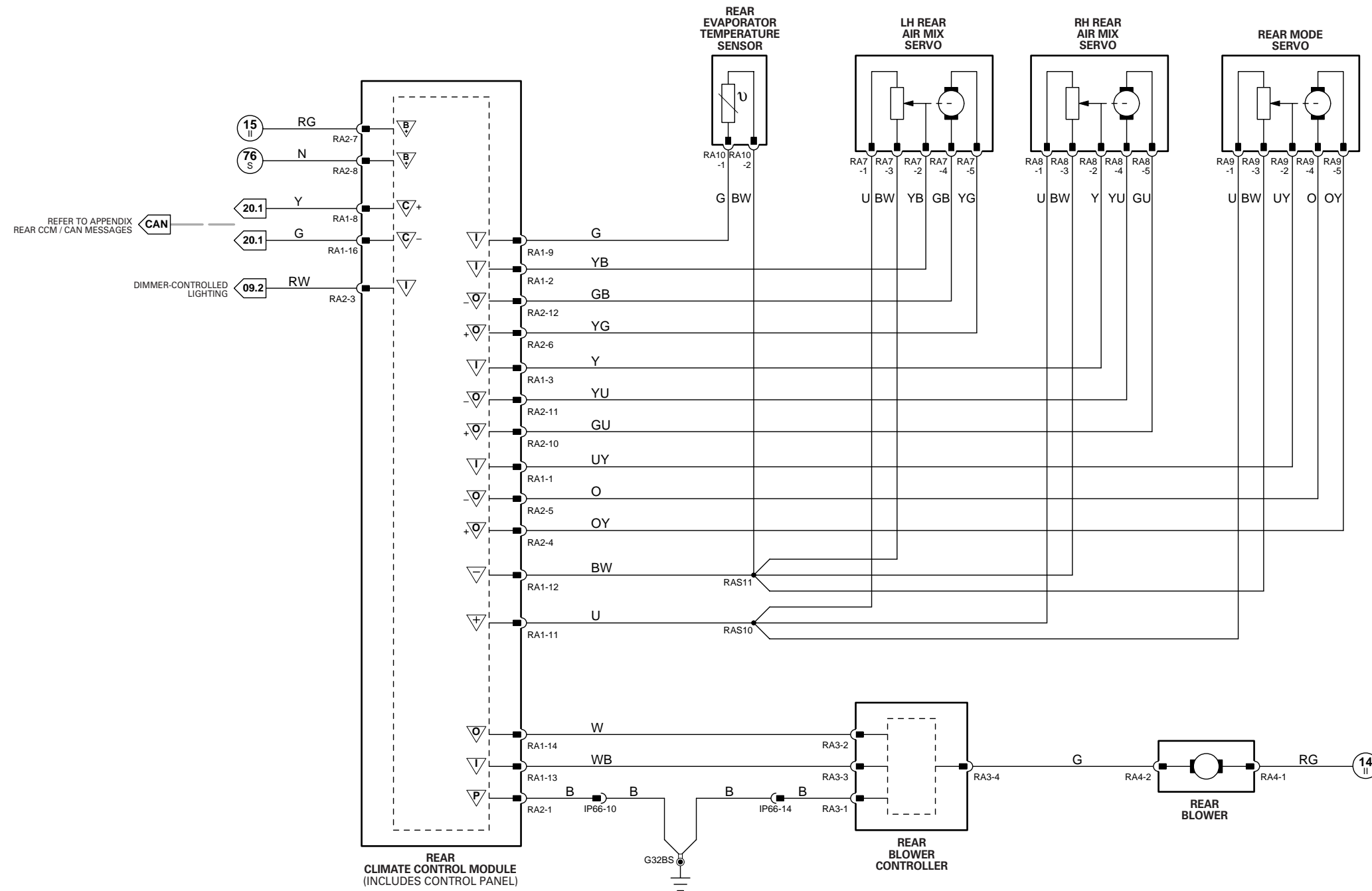
VARIANT: Adaptive Speed Control Vehicles
VIN RANGE: All
DATE OF ISSUE: October 2002 (PROVISIONAL)



(Continued Fig. 06.2)



NOTE: CCM power supplies and grounds shown on Fig. 06.1.



1 → 6 Fig. 01.1
7 → 64 Fig. 01.2

65 → 96 Fig. 01.3
1 → 15 Fig. 01.4

16 → 50 Fig. 01.5
51 → 76 Fig. 01.6

77 → 103 Fig. 01.7
104 → 141 Fig. 01.8

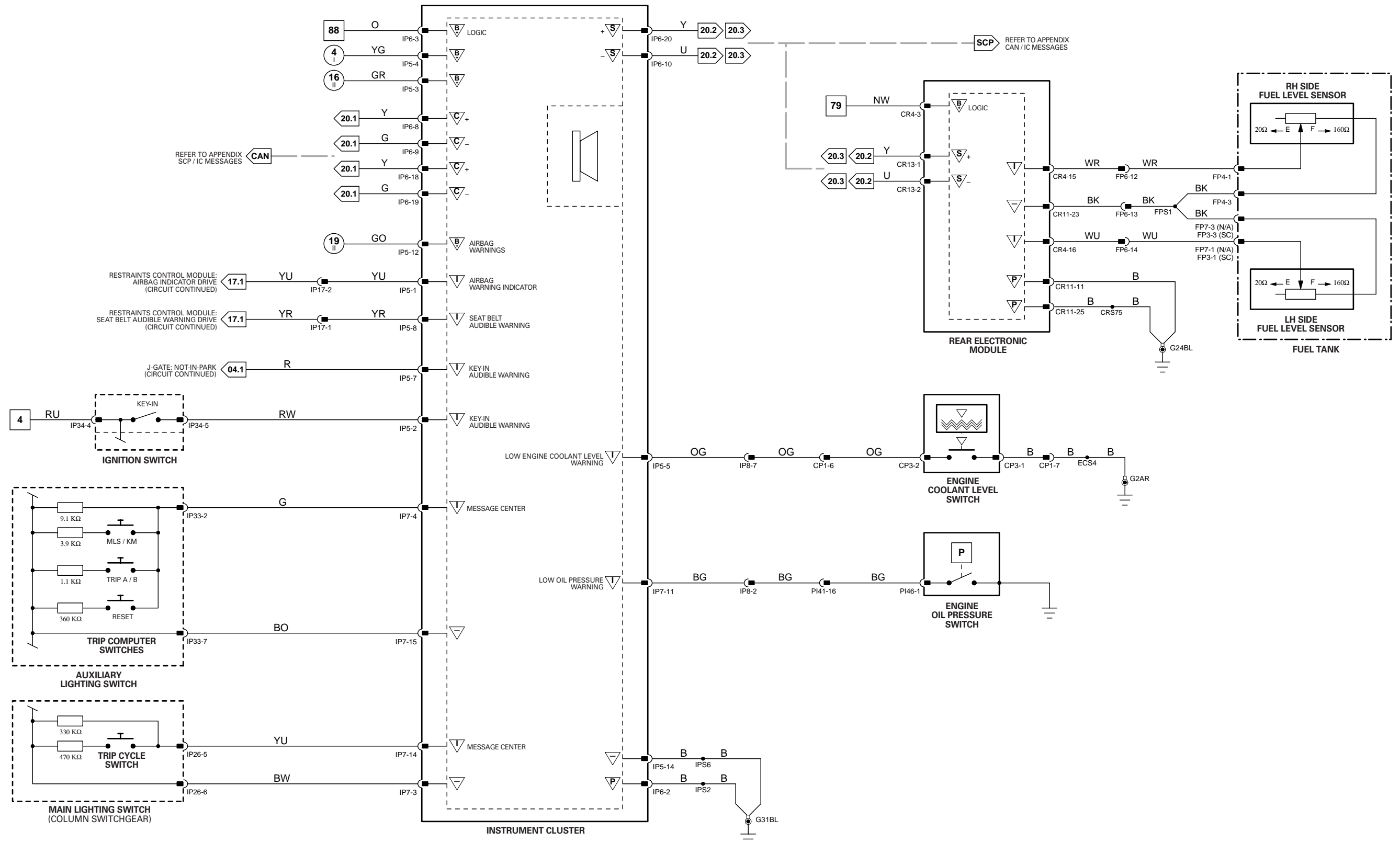
▽ Input
▽ Output

⌋ Battery Voltage
⌋ Power Ground

▽ Sensor/Signal Supply V
▽ Sensor/Signal Ground

⌋ ACP ⌋ SCP
⌋ CAN ⌋ Serial and Encoded Data

VARIANT: Rear Climate Control Vehicles
VIN RANGE: All
DATE OF ISSUE: October 2002 (PROVISIONAL)



1 → 6 Fig. 01.1
7 → 64 Fig. 01.2

65 → 96 Fig. 01.3
1 → 15 Fig. 01.4

16 → 50 Fig. 01.5
51 → 76 Fig. 01.6

77 → 103 Fig. 01.7
104 → 141 Fig. 01.8

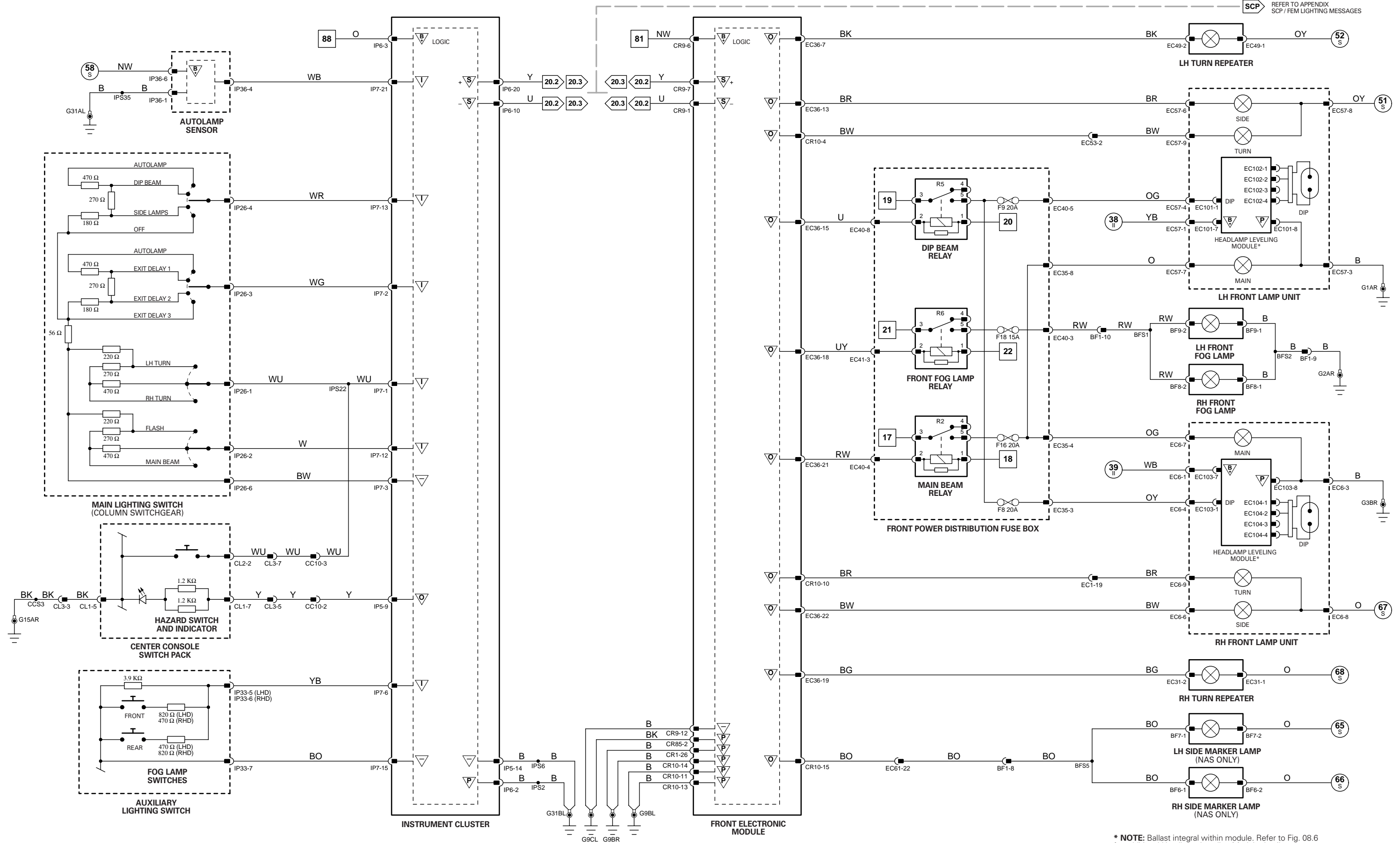
▽ Input
▽ Output

B Battery Voltage
P Power Ground

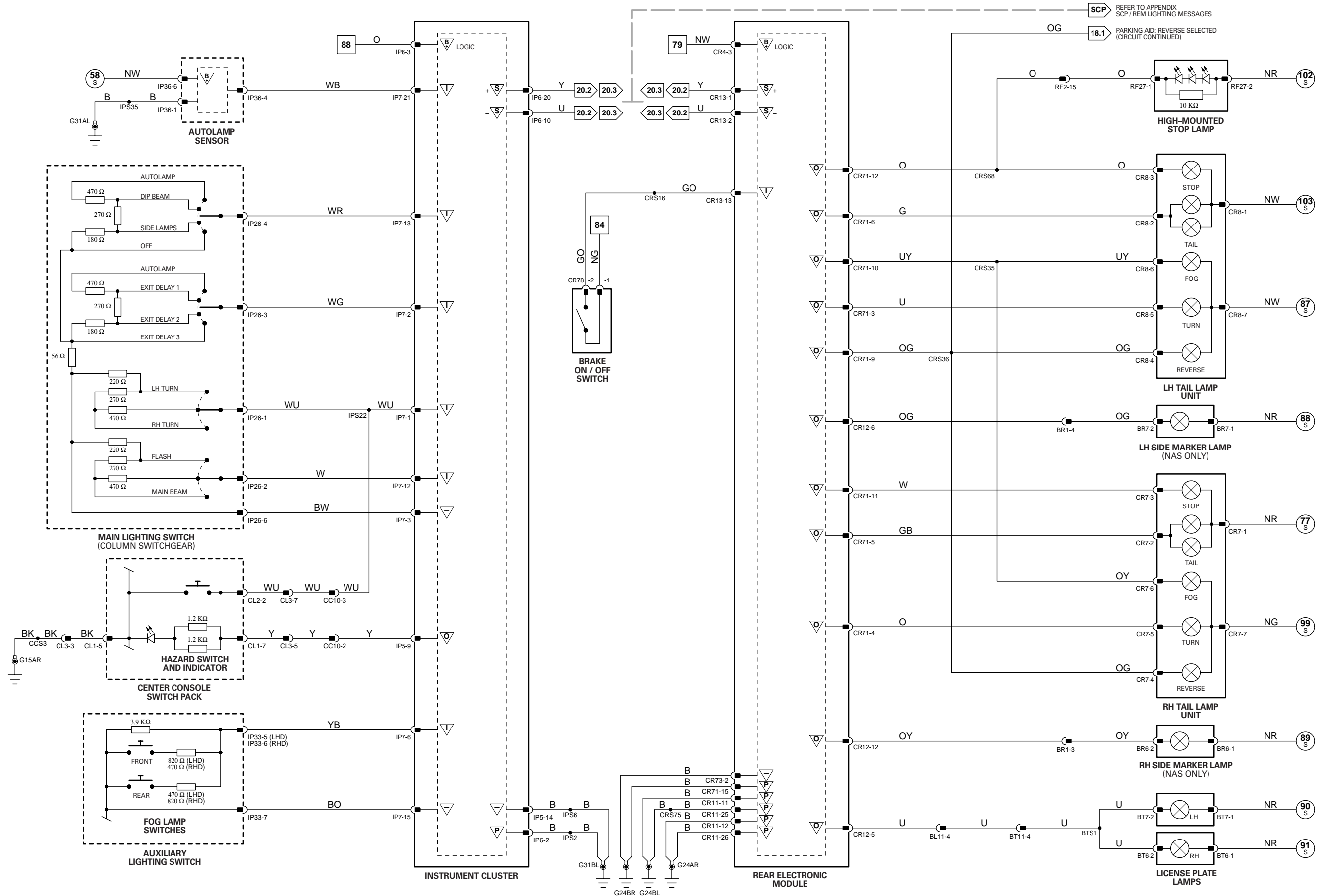
▽ Sensor/Signal Supply V
▽ Sensor/Signal Ground

▽ ACP
▽ CAN
▽ SCP
▽ Serial and Encoded Data

VARIANT: All Vehicles
VIN RANGE: All
DATE OF ISSUE: October 2002 (PROVISIONAL)

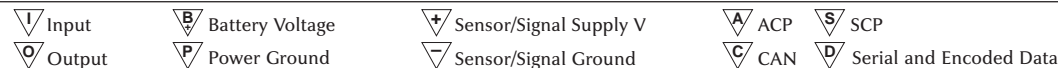
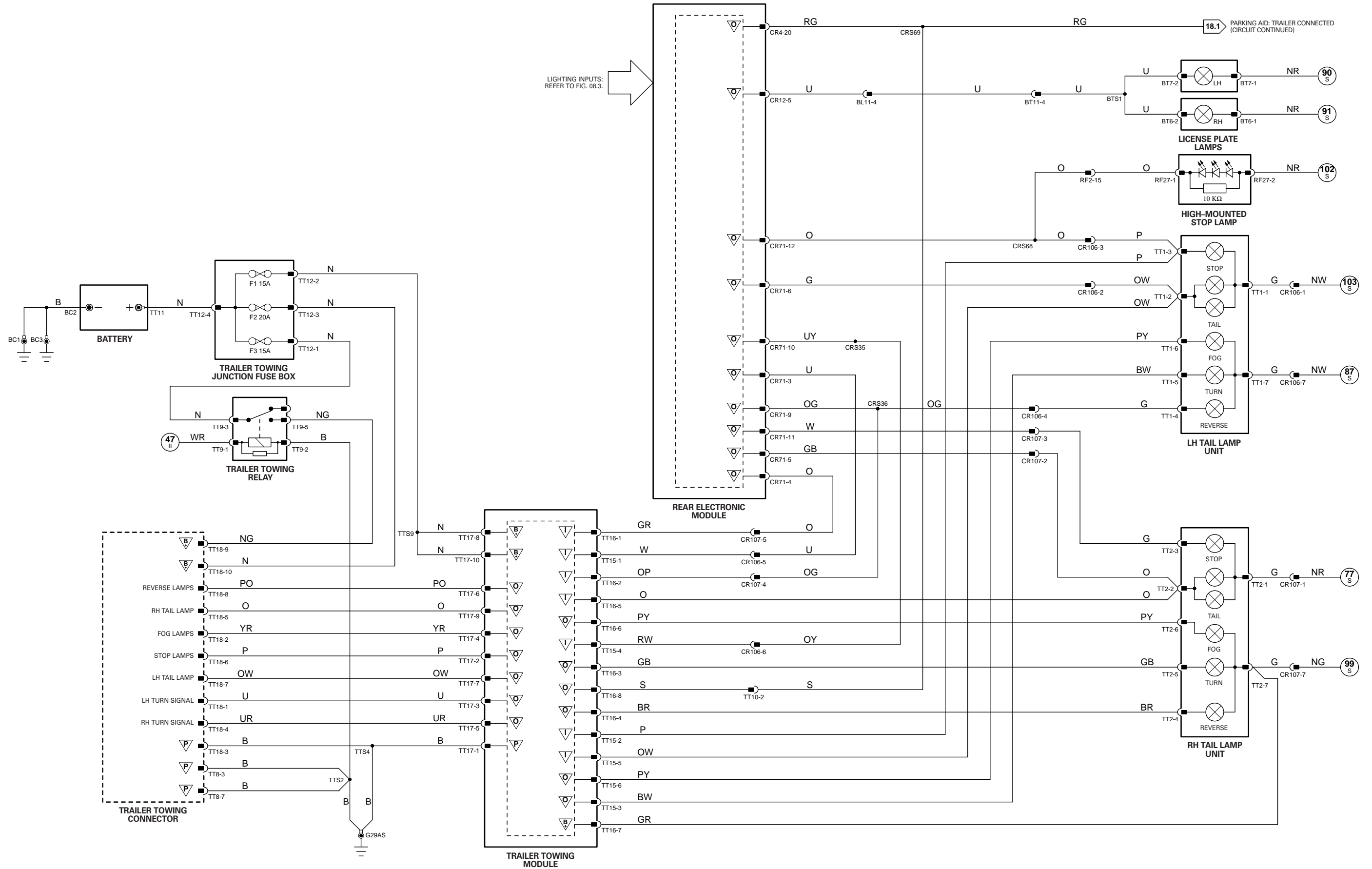


* NOTE: Ballast integral within module. Refer to Fig. 08.6 for additional Headlamp Leveling Module details.

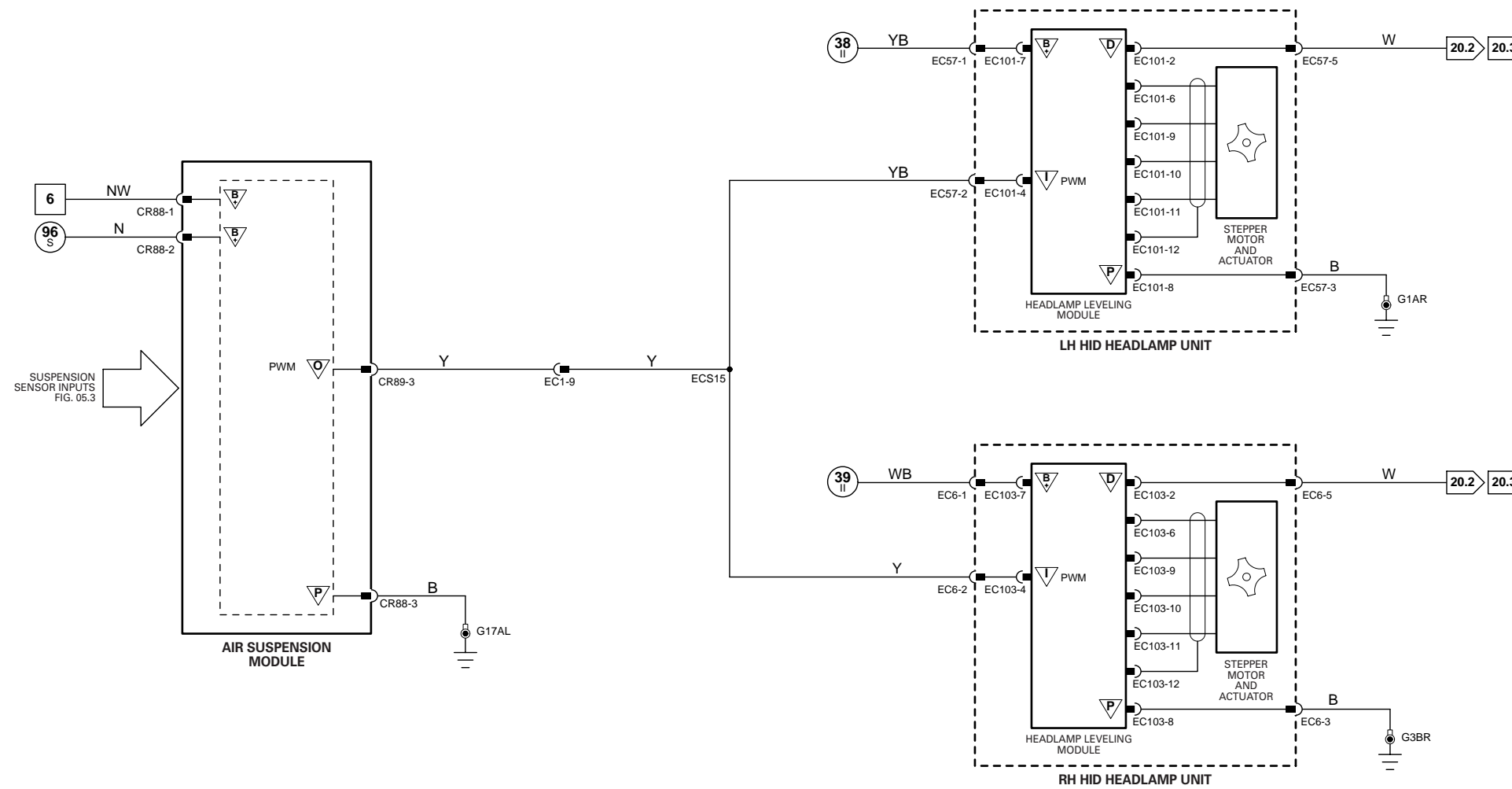


1 → 6 Fig. 01.1	65 → 96 Fig. 01.3	16 → 50 Fig. 01.5	77 → 103 Fig. 01.7	Input	B Battery Voltage	▽ Sensor/Signal Supply V	△ ACP	▽ SCP
7 → 64 Fig. 01.2	1 → 15 Fig. 01.4	51 → 76 Fig. 01.6	104 → 141 Fig. 01.8	Output	P Power Ground	▽ Sensor/Signal Ground	C CAN	▽ Serial and Encoded Data

VARIANT: All Vehicles
VIN RANGE: All
DATE OF ISSUE: October 2002 (PROVISIONAL)



VARIANT: European Trailer Towing Vehicles
 VIN RANGE: All
 DATE OF ISSUE: October 2002 (PROVISIONAL)



1 → 6 Fig. 01.1
7 → 64 Fig. 01.2

65 → 96 Fig. 01.3
1 → 15 Fig. 01.4

16 → 50 Fig. 01.5
51 → 76 Fig. 01.6

77 → 103 Fig. 01.7
104 → 141 Fig. 01.8

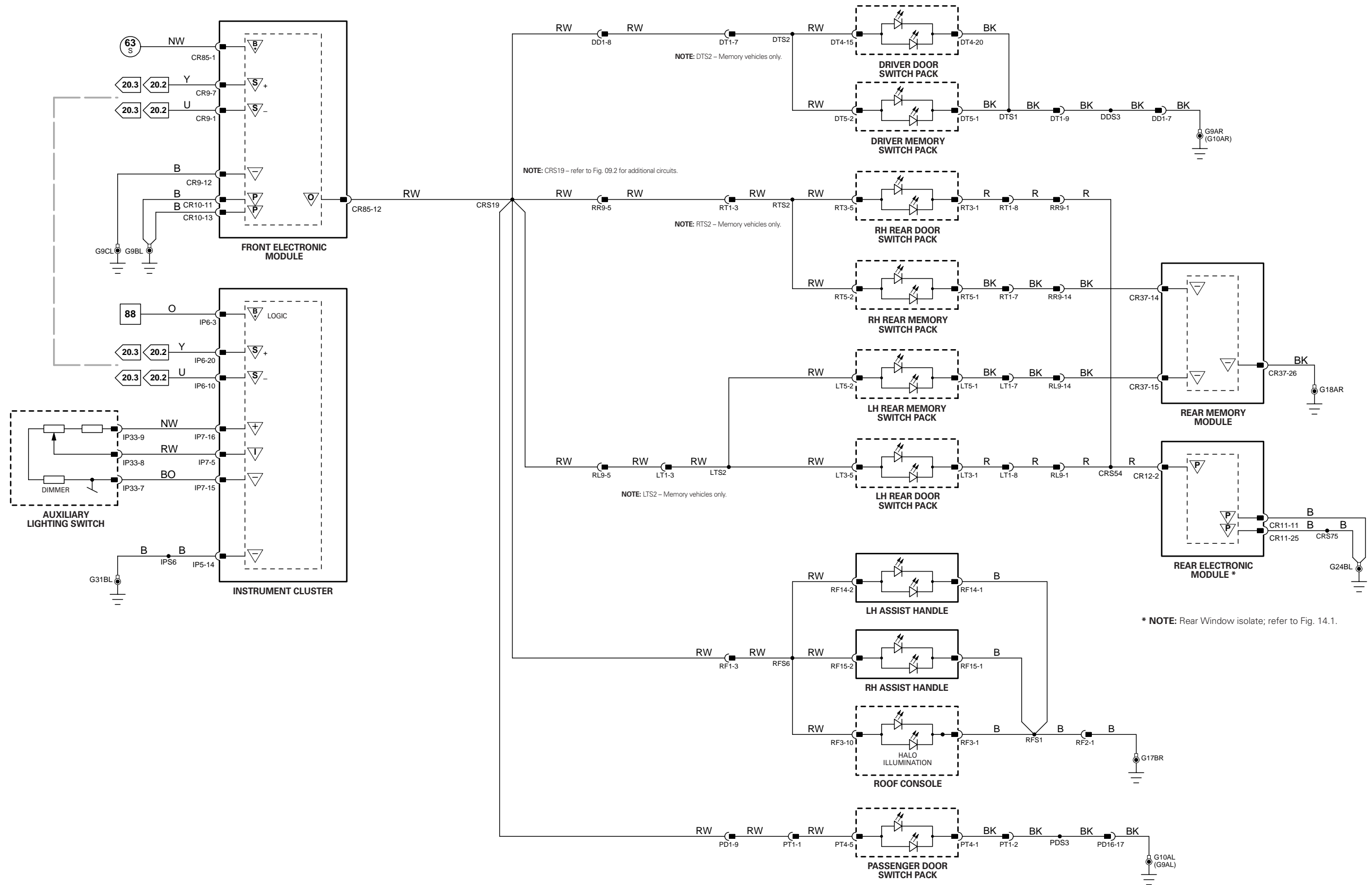
▽ Input
▽ Output

▽ Battery Voltage
▽ Power Ground

▽ Sensor/Signal Supply V
▽ Sensor/Signal Ground

▽ ACP
▽ CAN
▽ SCP
▽ Serial and Encoded Data

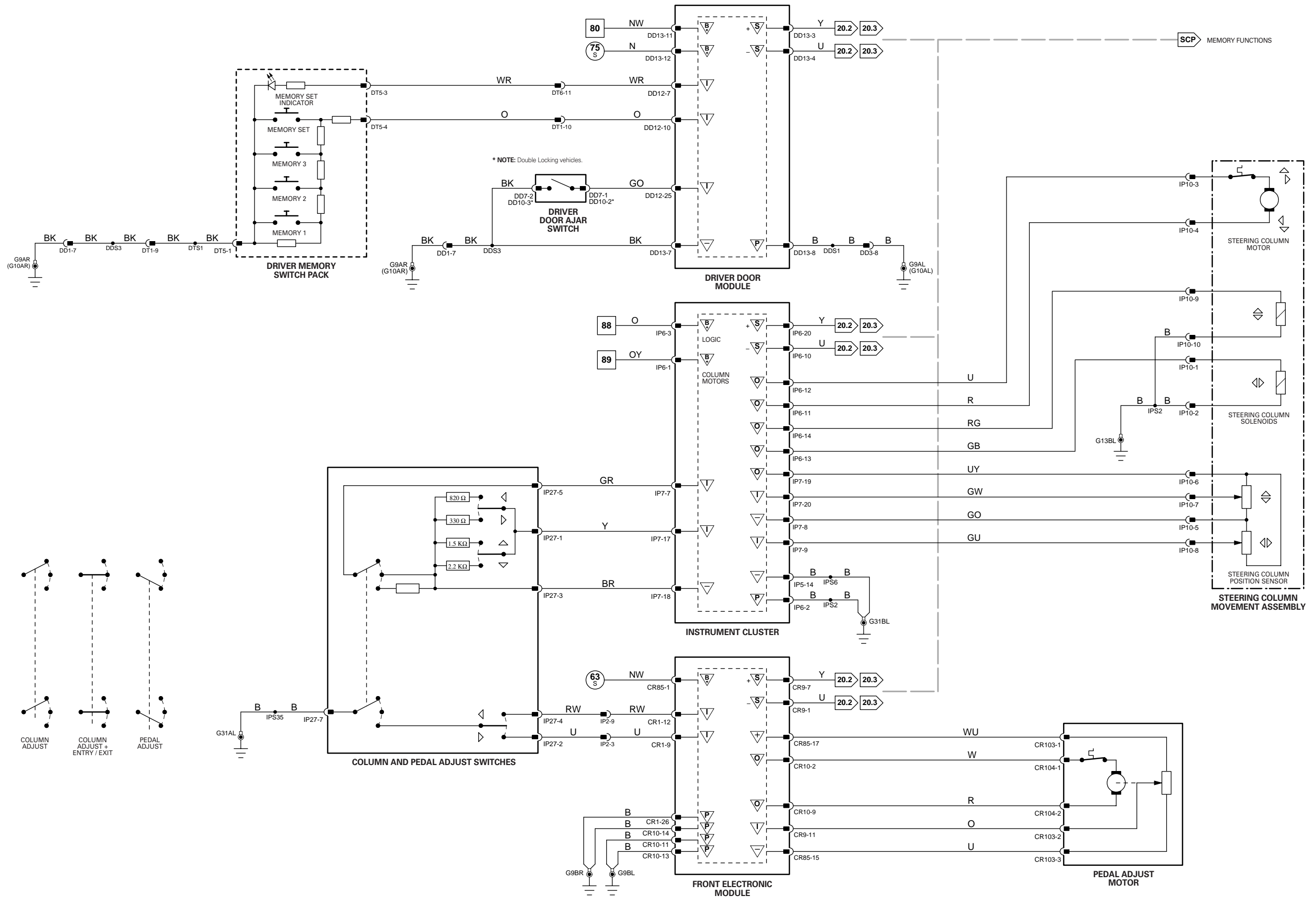
VARIANT: HID Headlamp Vehicles
VIN RANGE: All
DATE OF ISSUE: October 2002 (PROVISIONAL)



1 → 6	Fig. 01.1	65 → 96	Fig. 01.3	16 → 50	Fig. 01.5	77 → 103	Fig. 01.7
7 → 64	Fig. 01.2	1 → 15	Fig. 01.4	51 → 76	Fig. 01.6	104 → 141	Fig. 01.8

▽ Input	⊖ Battery Voltage	▽ Sensor/Signal Supply V	▽ ACP	▽ SCP
▽ Output	⊖ Power Ground	▽ Sensor/Signal Ground	▽ CAN	▽ Serial and Encoded Data

VARIANT: All Vehicles
VIN RANGE: All
DATE OF ISSUE: October 2002 (PROVISIONAL)



1 → 6 Fig. 01.1
7 → 64 Fig. 01.2

65 → 96 Fig. 01.3
1 → 15 Fig. 01.4

16 → 50 Fig. 01.5
51 → 76 Fig. 01.6

77 → 103 Fig. 01.7
104 → 141 Fig. 01.8

▽ Input
▽ Output

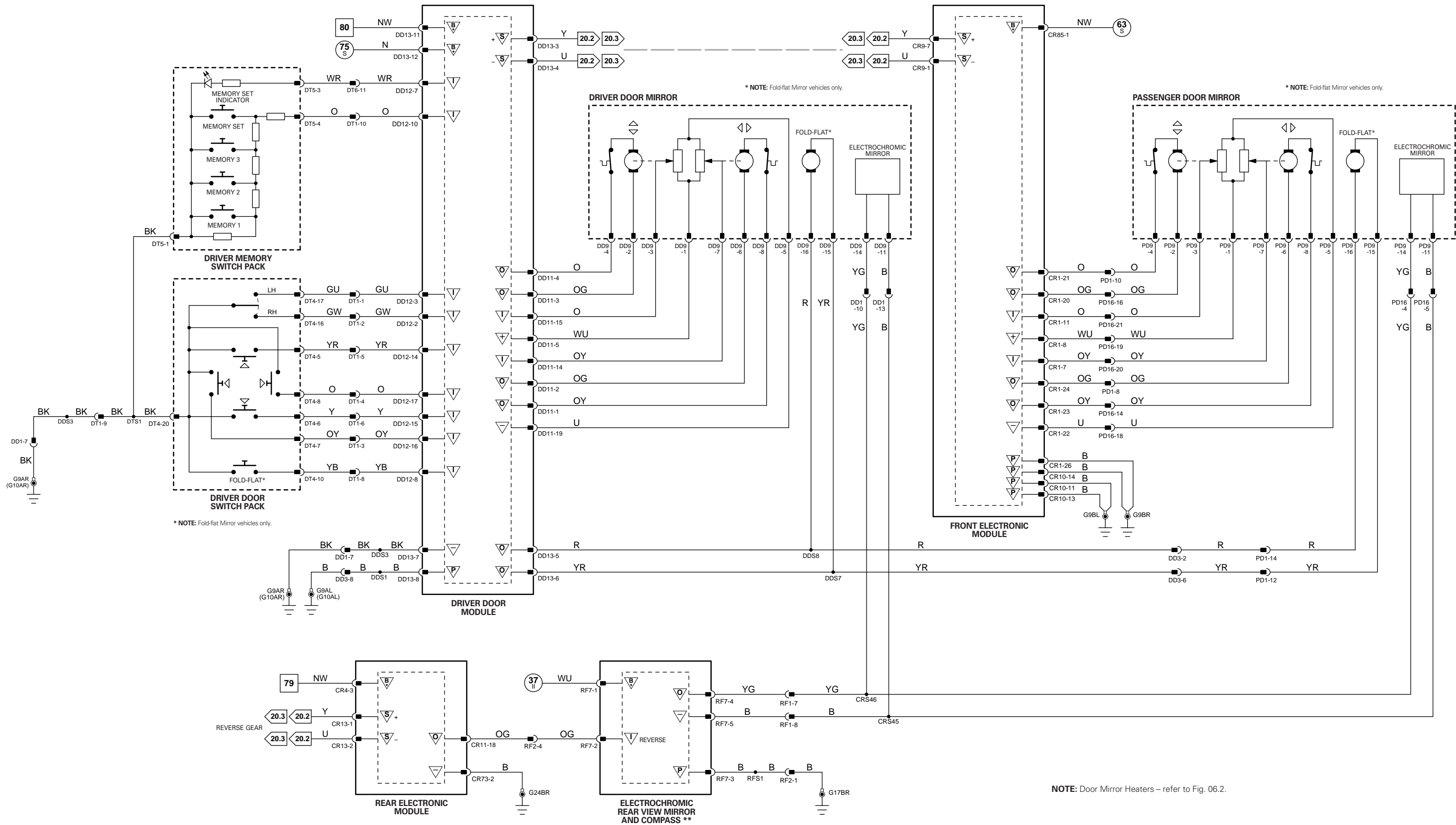
B Battery Voltage
P Power Ground

▽ Sensor/Signal Supply V
▽ Sensor/Signal Ground

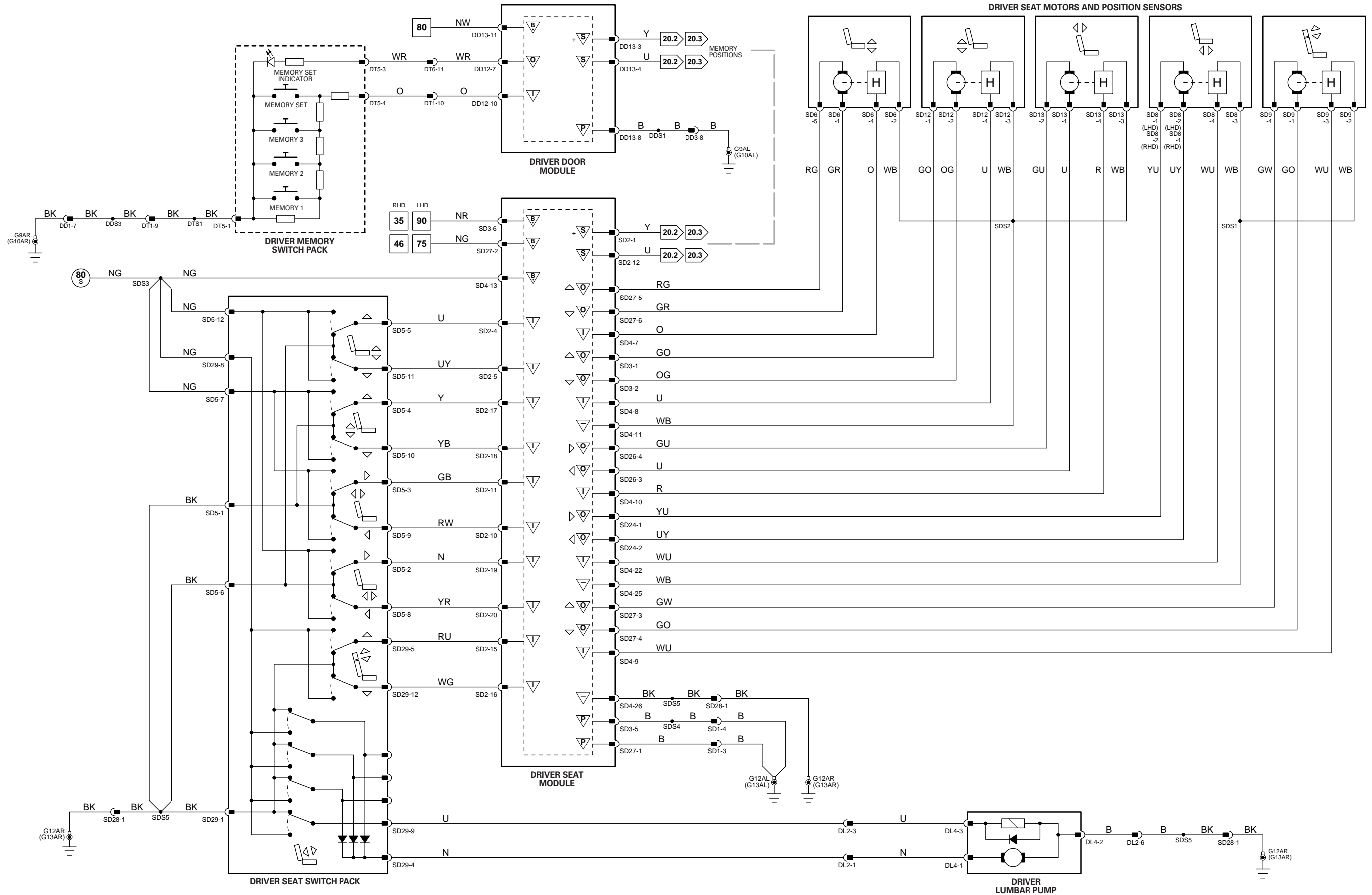
△ ACP
S SCP

C CAN
D Serial and Encoded Data

VARIANT: All Vehicles
VIN RANGE: All
DATE OF ISSUE: October 2002 (PROVISIONAL)



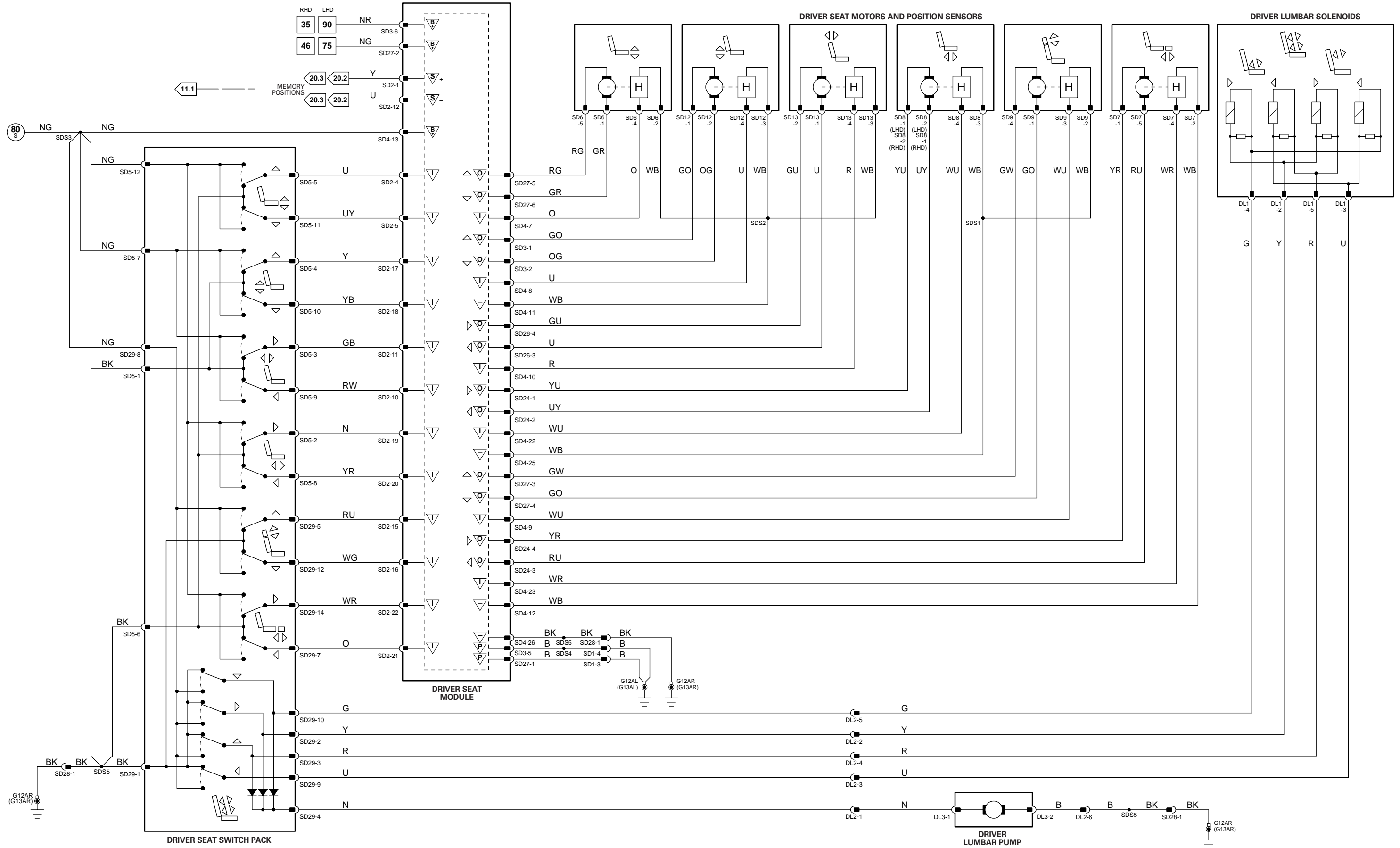
NOTE: Door Mirror Heaters – refer to Fig. 06.2.

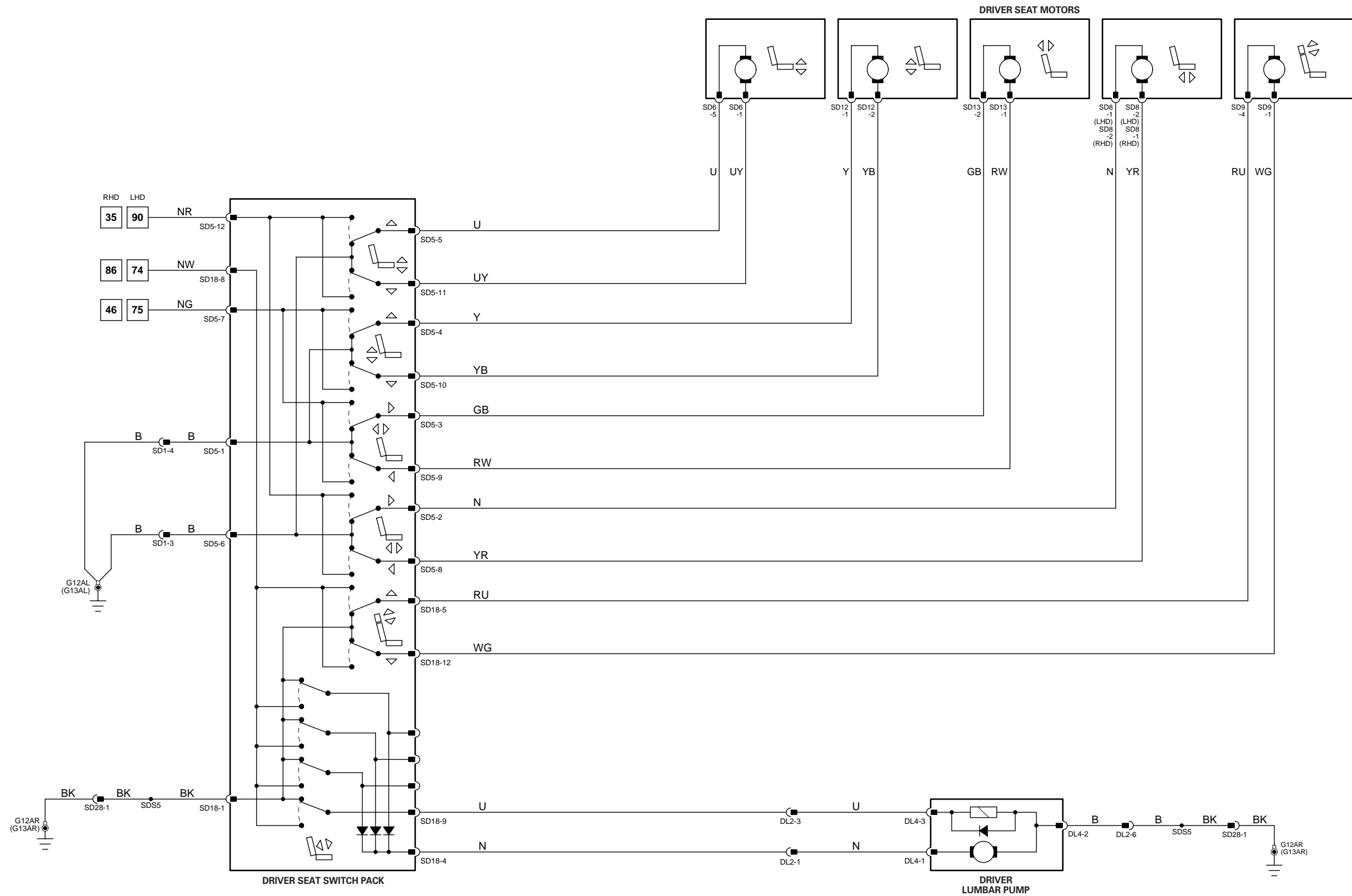


1 → 6	Fig. 01.1	65 → 96	Fig. 01.3	16 → 50	Fig. 01.5	77 → 103	Fig. 01.7
7 → 64	Fig. 01.2	1 → 15	Fig. 01.4	51 → 76	Fig. 01.6	104 → 141	Fig. 01.8

▽ Input	⊖ Battery Voltage	⊖ Sensor/Signal Supply V	⊖ ACP	⊖ SCP
▽ Output	⊖ Power Ground	⊖ Sensor/Signal Ground	⊖ CAN	⊖ Serial and Encoded Data

VARIANT: 12-Way Seat Memory Vehicles
 VIN RANGE: All
 DATE OF ISSUE: October 2002 (PROVISIONAL)





1 → 6 Fig. 01.1
7 → 64 Fig. 01.2

65 → 96 Fig. 01.3
1 → 15 Fig. 01.4

16 → 50 Fig. 01.5
51 → 76 Fig. 01.6

77 → 103 Fig. 01.7
104 → 141 Fig. 01.8

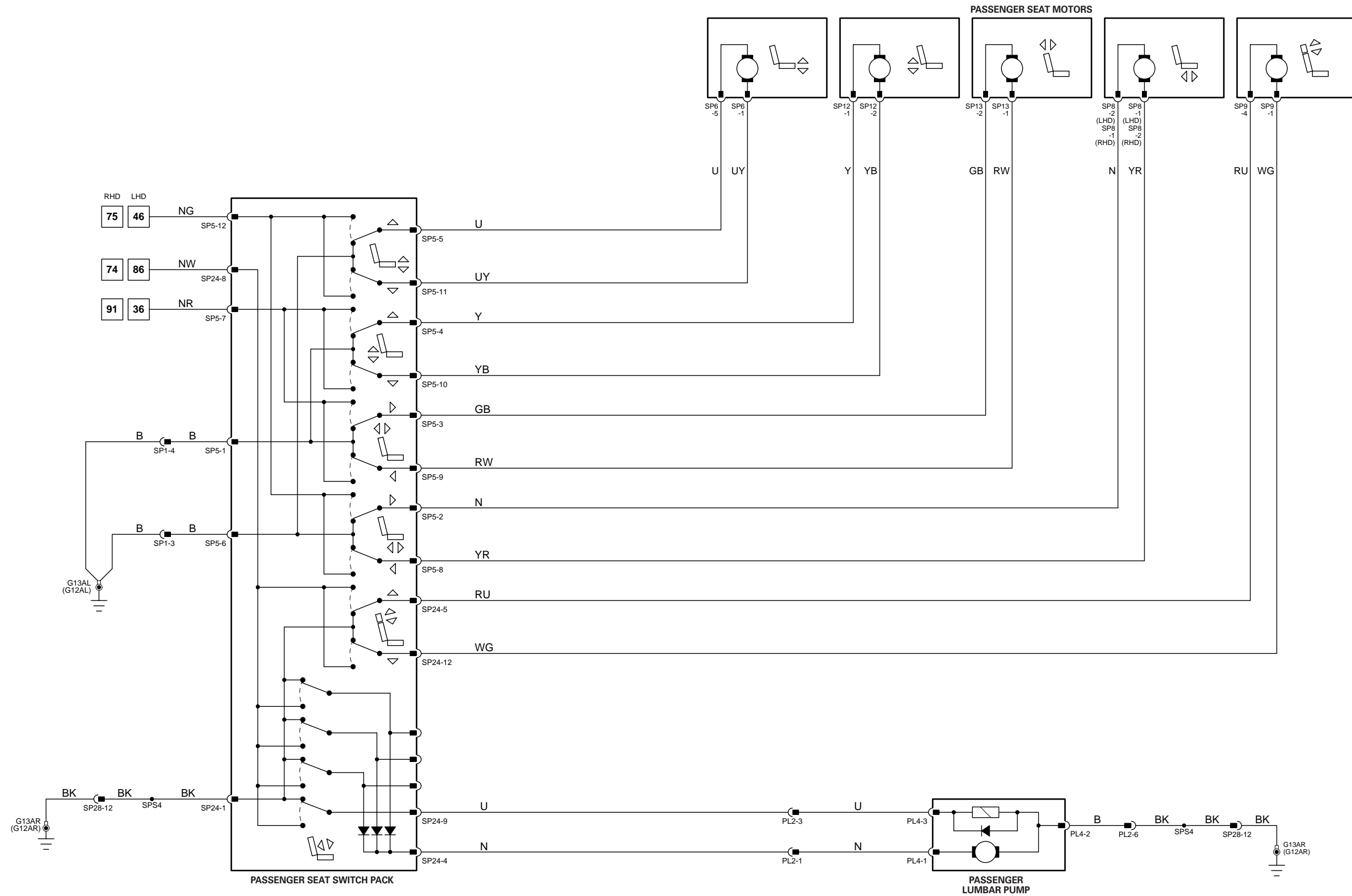
▽ Input
▽ Output

B Battery Voltage
P Power Ground

▽ Sensor/Signal Supply V
▽ Sensor/Signal Ground

A ACP S SCP
C CAN D Serial and Encoded Data

VARIANT: Non Memory Seat Vehicles
VIN RANGE: All
DATE OF ISSUE: October 2002 (PROVISIONAL)



1 → 6 Fig. 01.1
7 → 64 Fig. 01.2

65 → 96 Fig. 01.3
1 → 15 Fig. 01.4

16 → 50 Fig. 01.5
51 → 76 Fig. 01.6

77 → 103 Fig. 01.7
104 → 141 Fig. 01.8

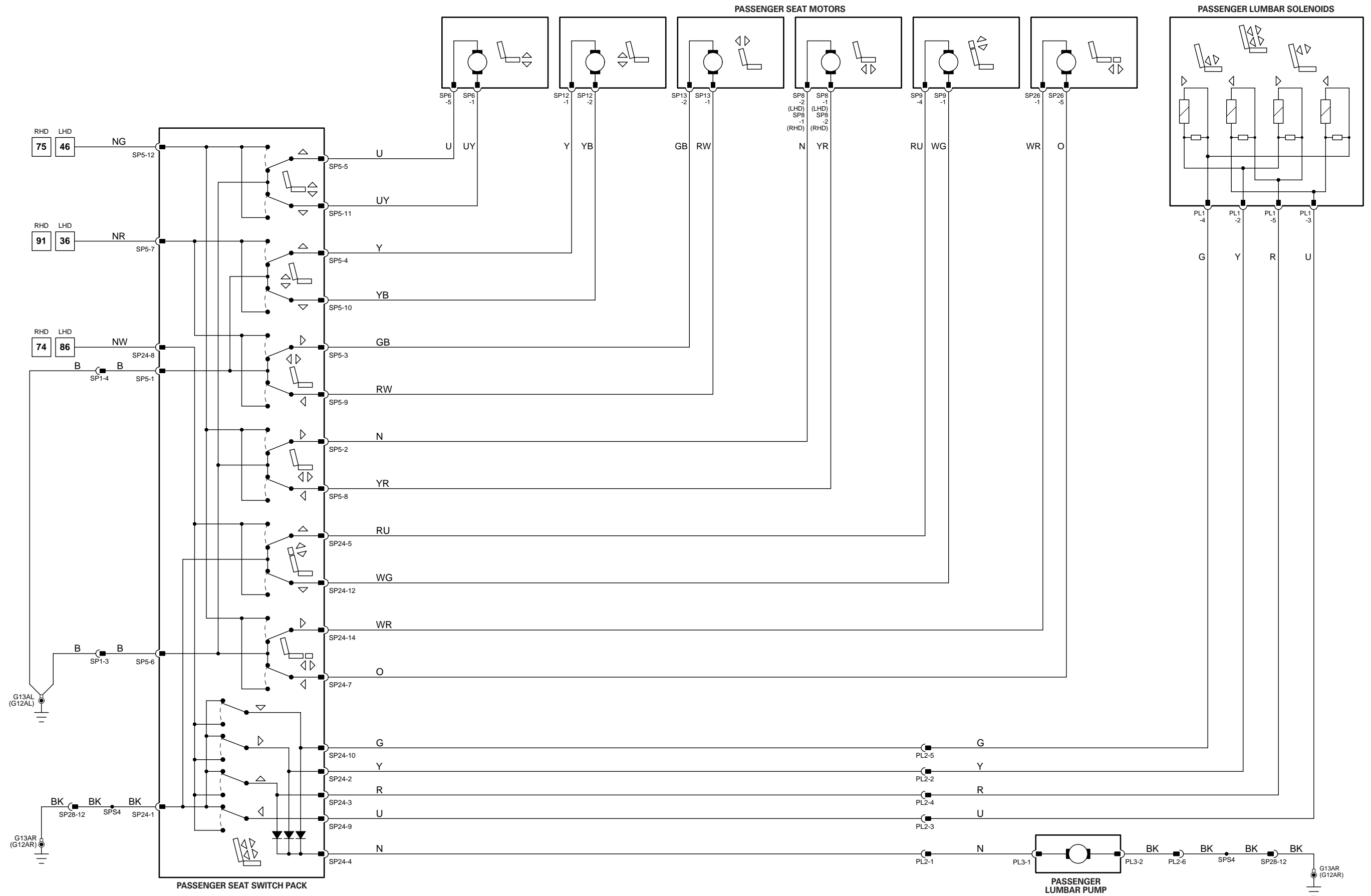
▽ Input
▽ Output

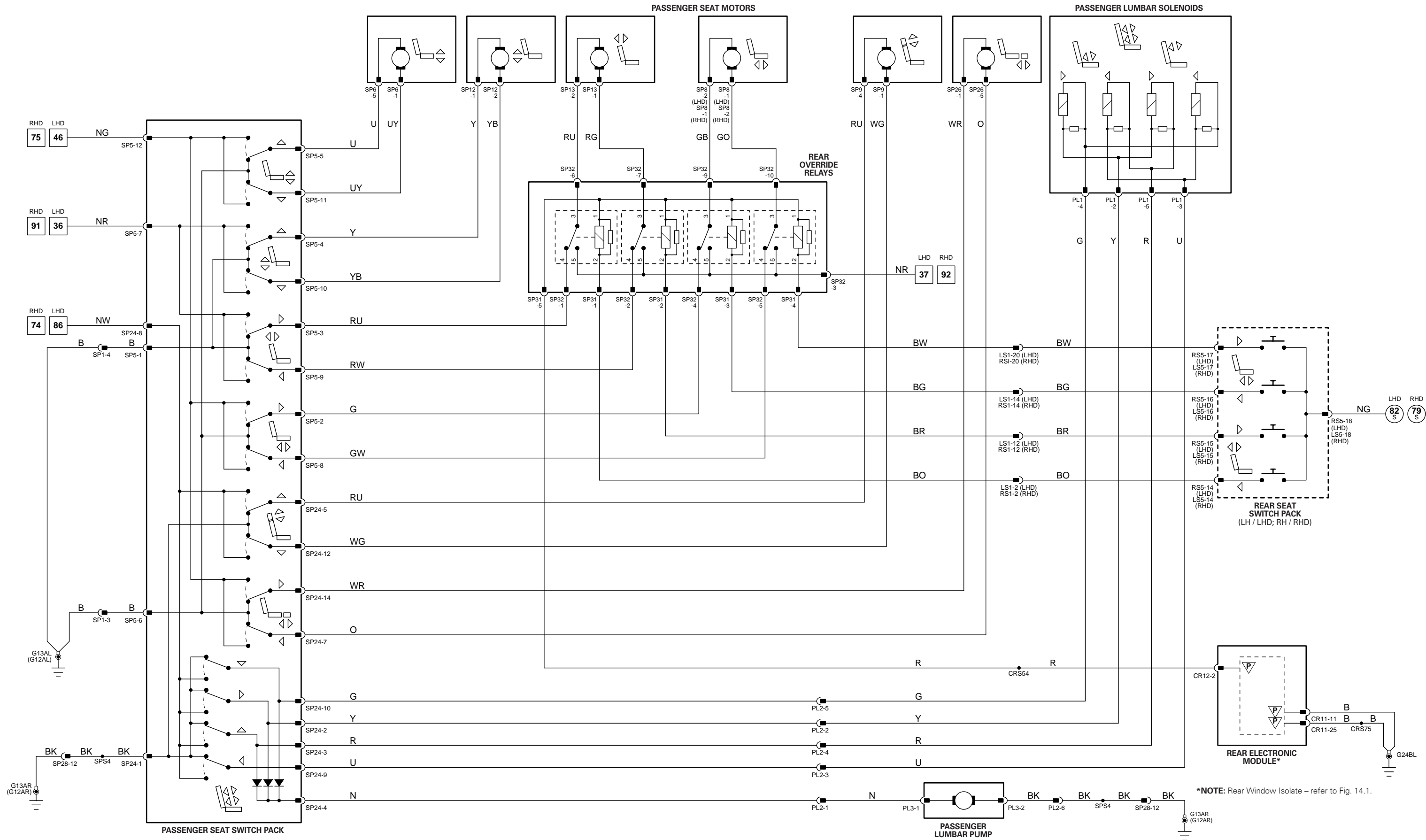
B Battery Voltage
P Power Ground

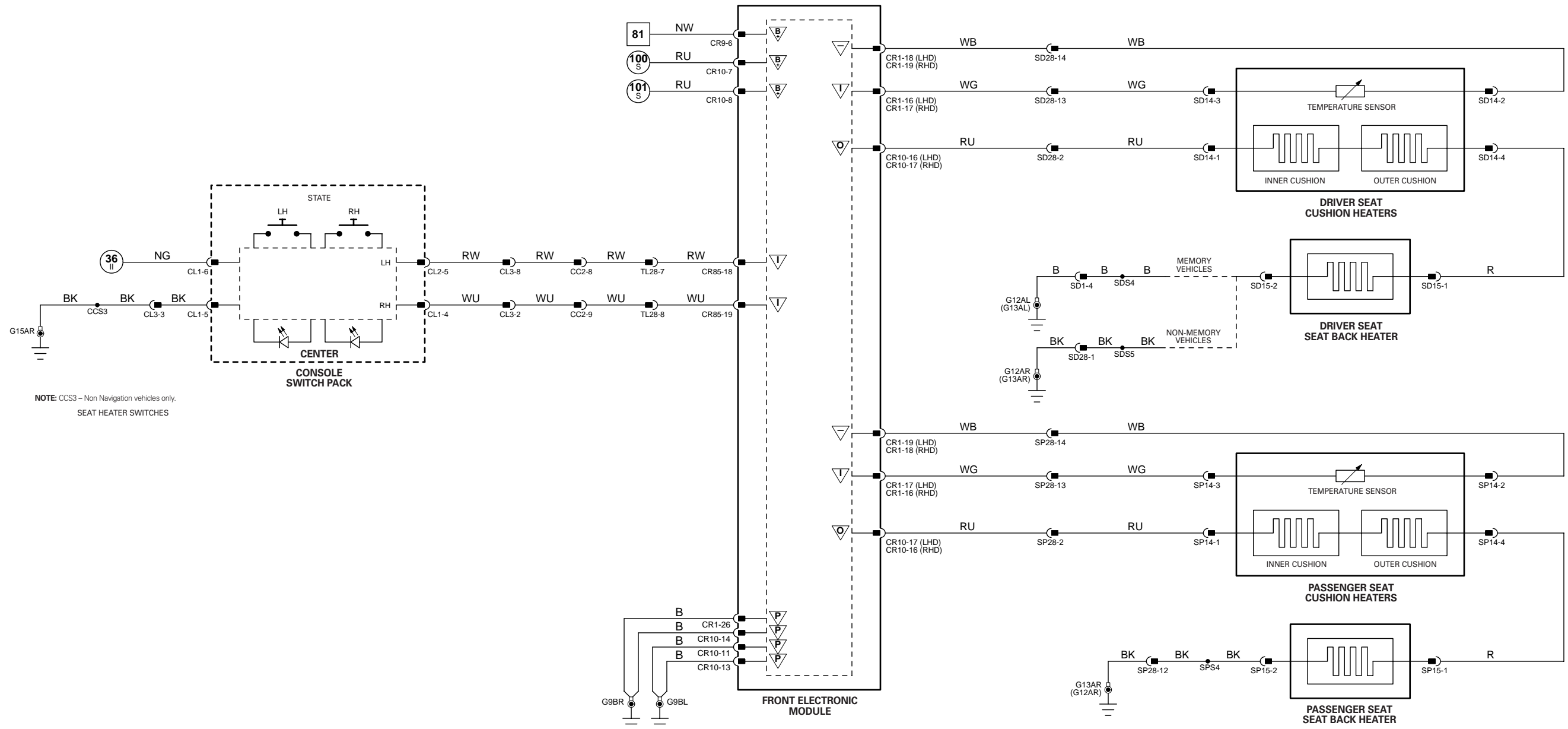
▽ Sensor/Signal Supply V
▽ Sensor/Signal Ground

A ACP S SCP
C CAN D Serial and Encoded Data

VARIANT: 12-Way Passenger Seat Vehicles
VIN RANGE: All
DATE OF ISSUE: October 2002 (PROVISIONAL)





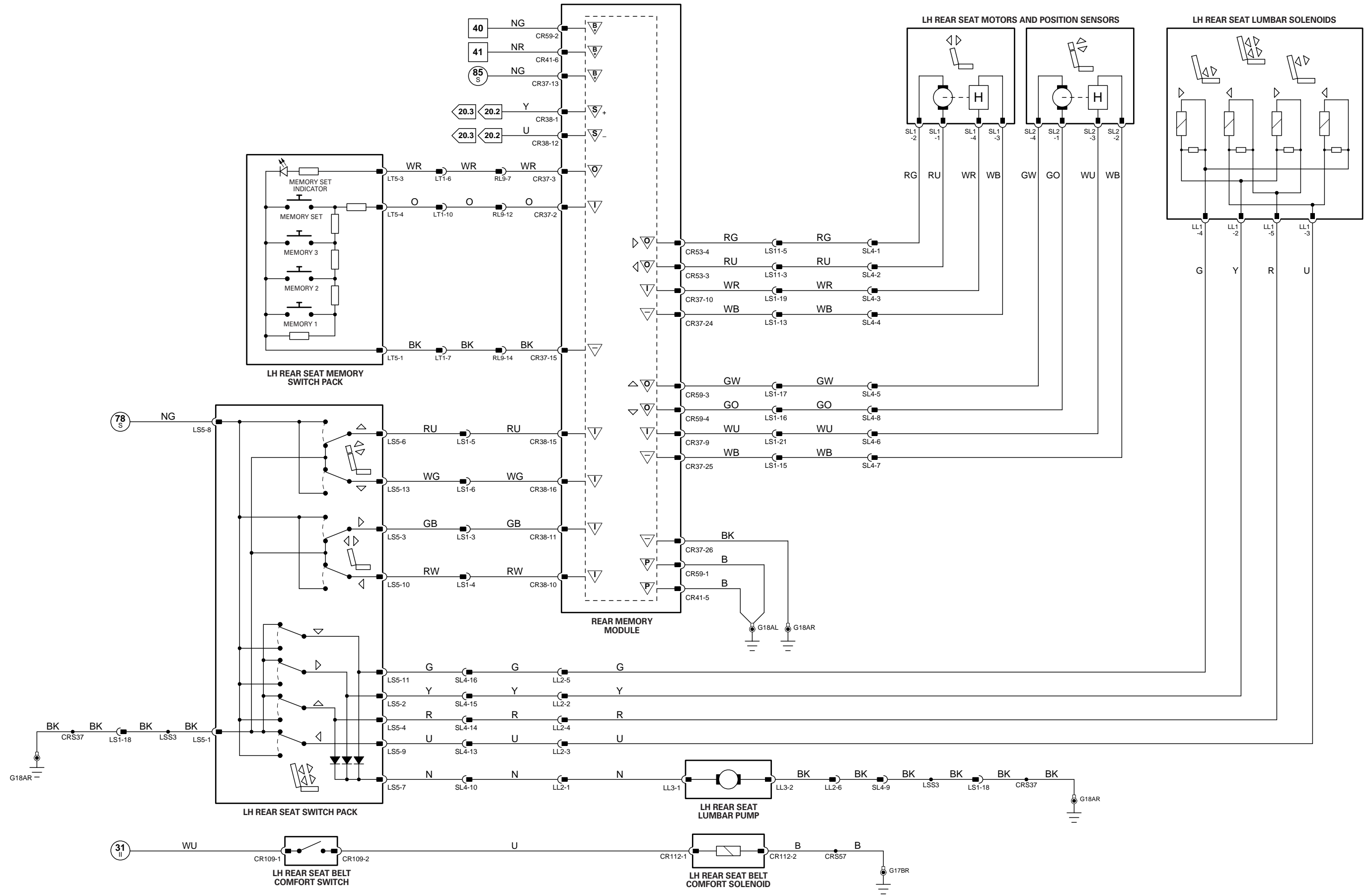


NOTE: CCS3 - Non Navigation vehicles only.
SEAT HEATER SWITCHES

1 → 6	65 → 96	16 → 50	77 → 103
7 → 64	1 → 15	51 → 76	104 → 141

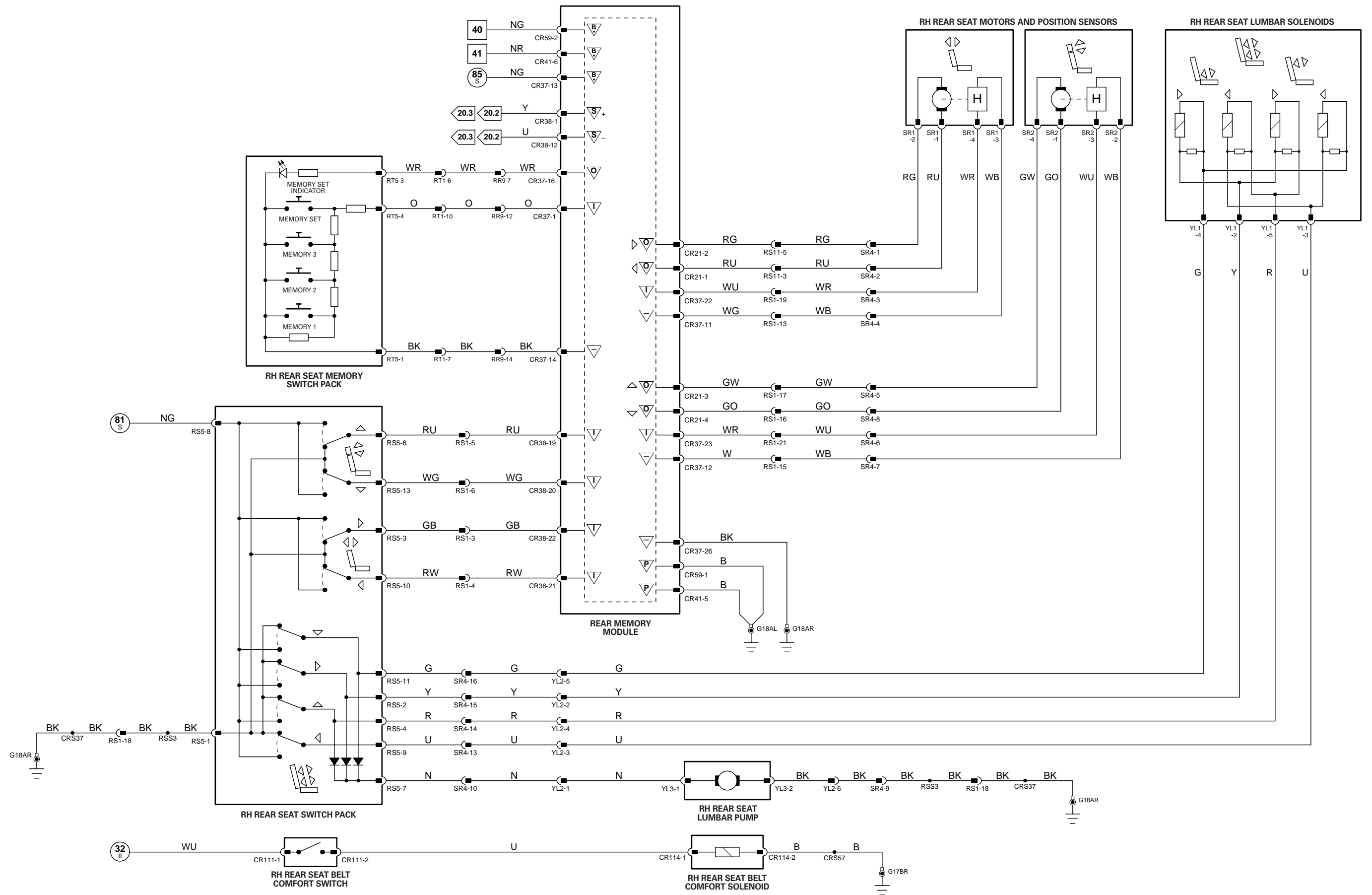
▽ Input	B Battery Voltage	▽ Sensor/Signal Supply V	▽ ACP	▽ SCP
▽ Output	P Power Ground	▽ Sensor/Signal Ground	▽ CAN	▽ Serial and Encoded Data

VARIANT: Heated Front Seats Vehicles
 VIN RANGE: All
 DATE OF ISSUE: October 2002 (PROVISIONAL)



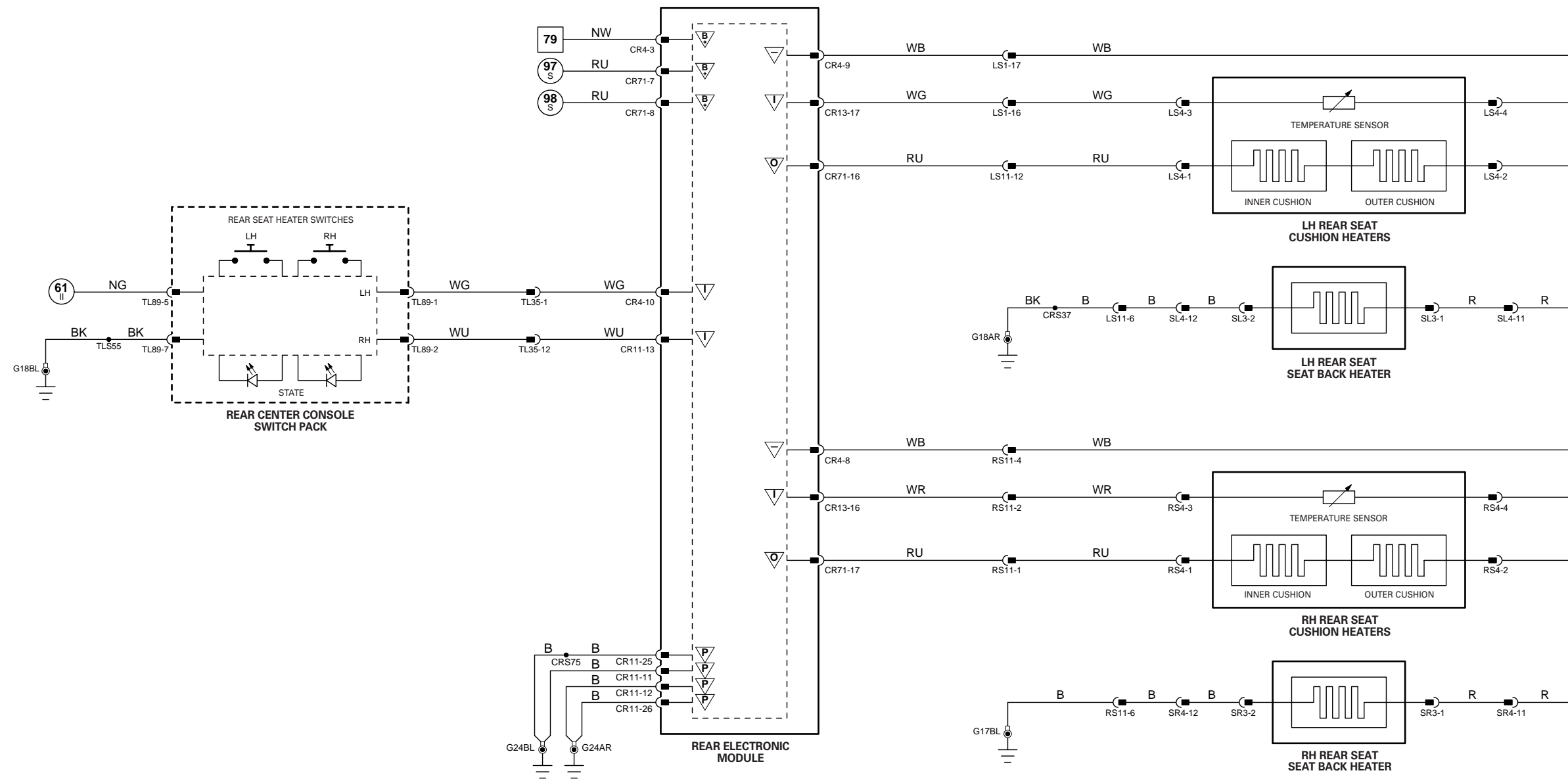
1 → 6	Fig. 01.1	65 → 96	Fig. 01.3	16 → 50	Fig. 01.5	77 → 103	Fig. 01.7	Input	B	Battery Voltage	▽	Sensor/Signal Supply V	△	ACP	▽	SCP
7 → 64	Fig. 01.2	1 → 15	Fig. 01.4	51 → 76	Fig. 01.6	104 → 141	Fig. 01.8	Output	P	Power Ground	▽	Sensor/Signal Ground	△	CAN	▽	Serial and Encoded Data

VARIANT: Powered Rear Seats Vehicles
VIN RANGE: All
DATE OF ISSUE: October 2002 (PROVISIONAL)



1 → 6	Fig. 01.1	65 → 96	Fig. 01.3	16 → 50	Fig. 01.5	77 → 103	Fig. 01.7	▽ Input	B Battery Voltage	▽ Sensor/Signal Supply V	▽ ACP	▽ SCP
7 → 64	Fig. 01.2	1 → 15	Fig. 01.4	51 → 76	Fig. 01.6	104 → 141	Fig. 01.8	▽ Output	P Power Ground	▽ Sensor/Signal Ground	▽ CAN	▽ Serial and Encoded Data

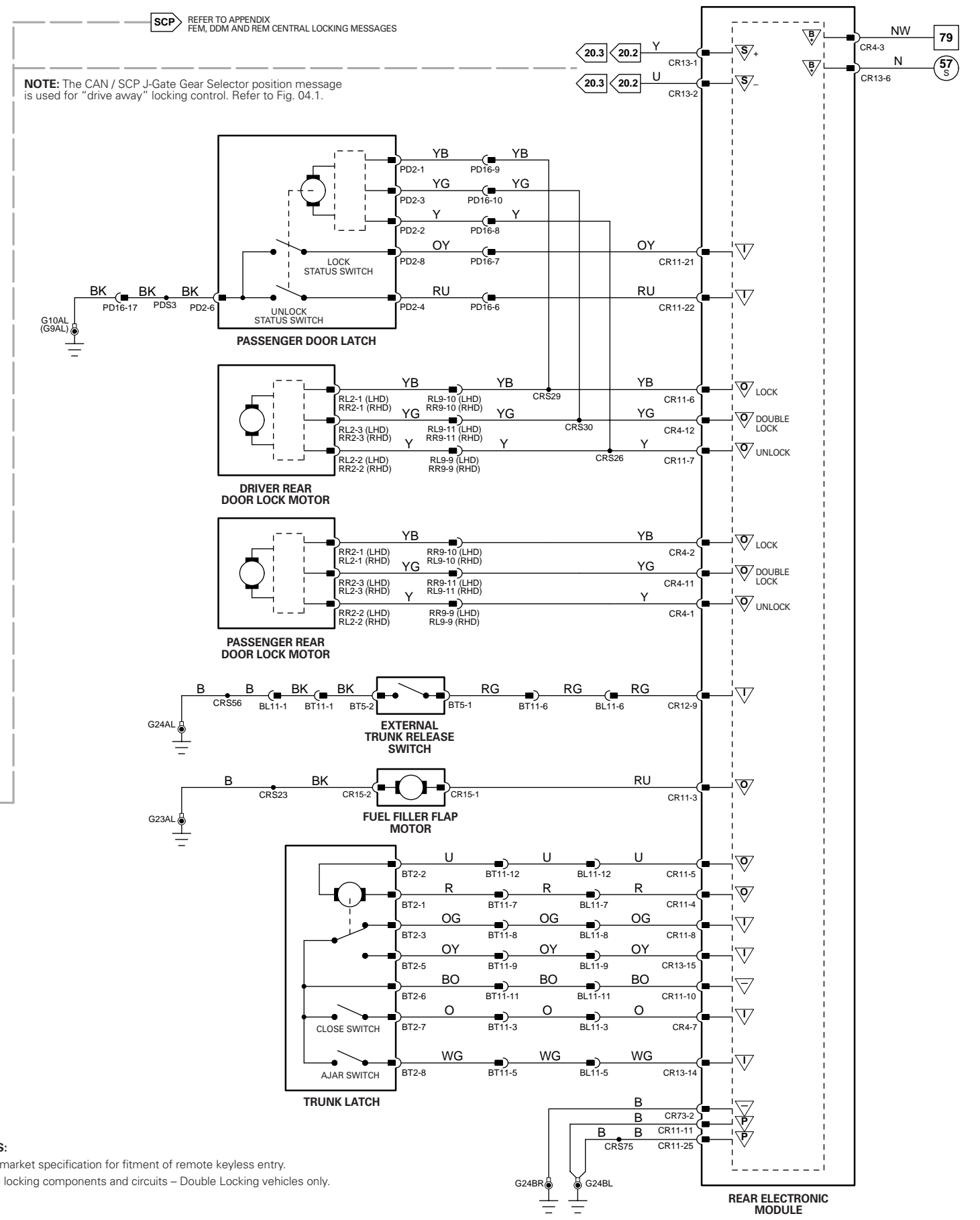
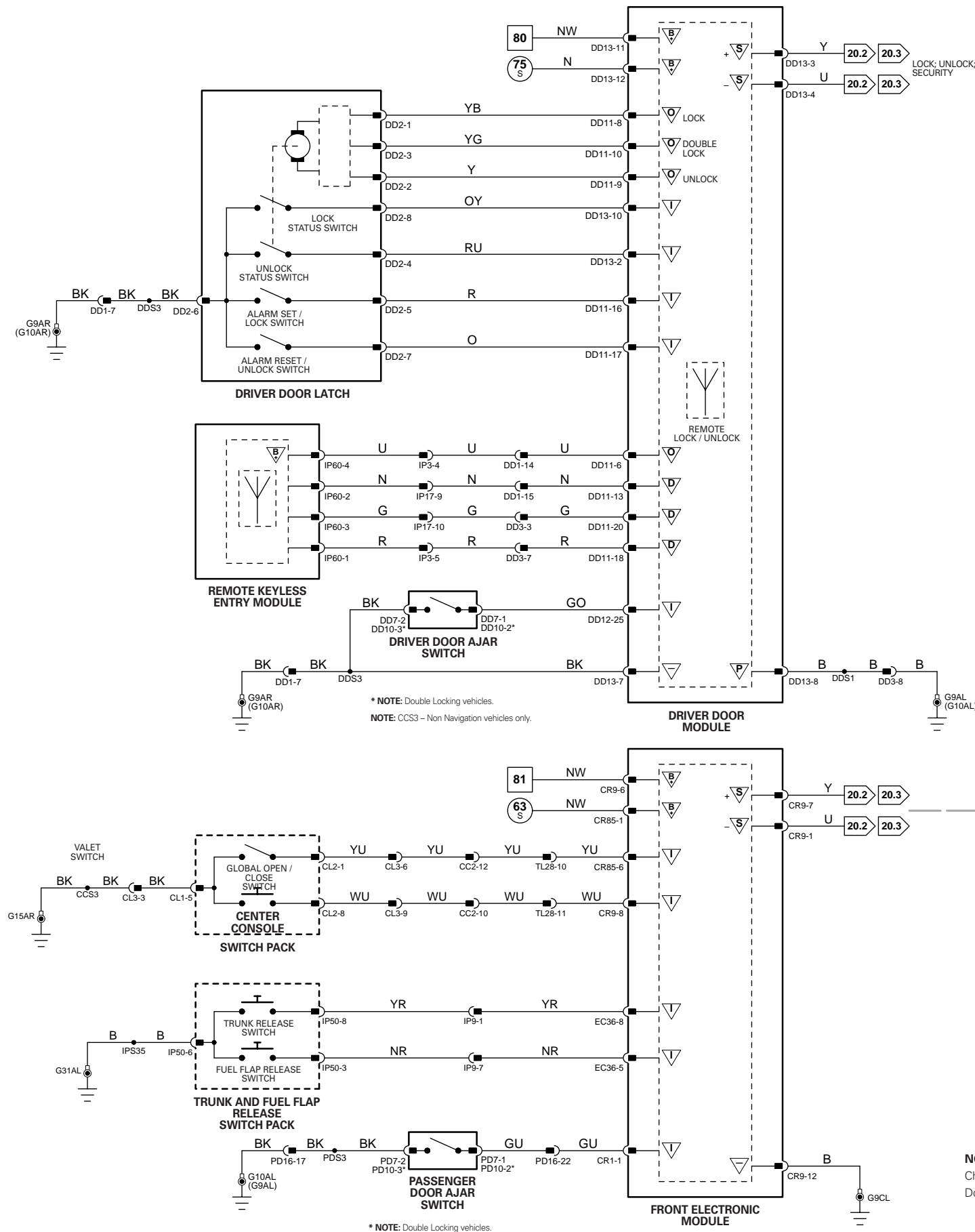
VARIANT: Powered Rear Seats Vehicles
 VIN RANGE: All
 DATE OF ISSUE: October 2002 (PROVISIONAL)



1 → 6	Fig. 01.1	65 → 96	Fig. 01.3	16 → 50	Fig. 01.5	77 → 103	Fig. 01.7
7 → 64	Fig. 01.2	1 → 15	Fig. 01.4	51 → 76	Fig. 01.6	104 → 141	Fig. 01.8

▽	Input	B	Battery Voltage	▽	Sensor/Signal Supply V	△	ACP	△	SCP
▽	Output	P	Power Ground	▽	Sensor/Signal Ground	△	CAN	▽	Serial and Encoded Data

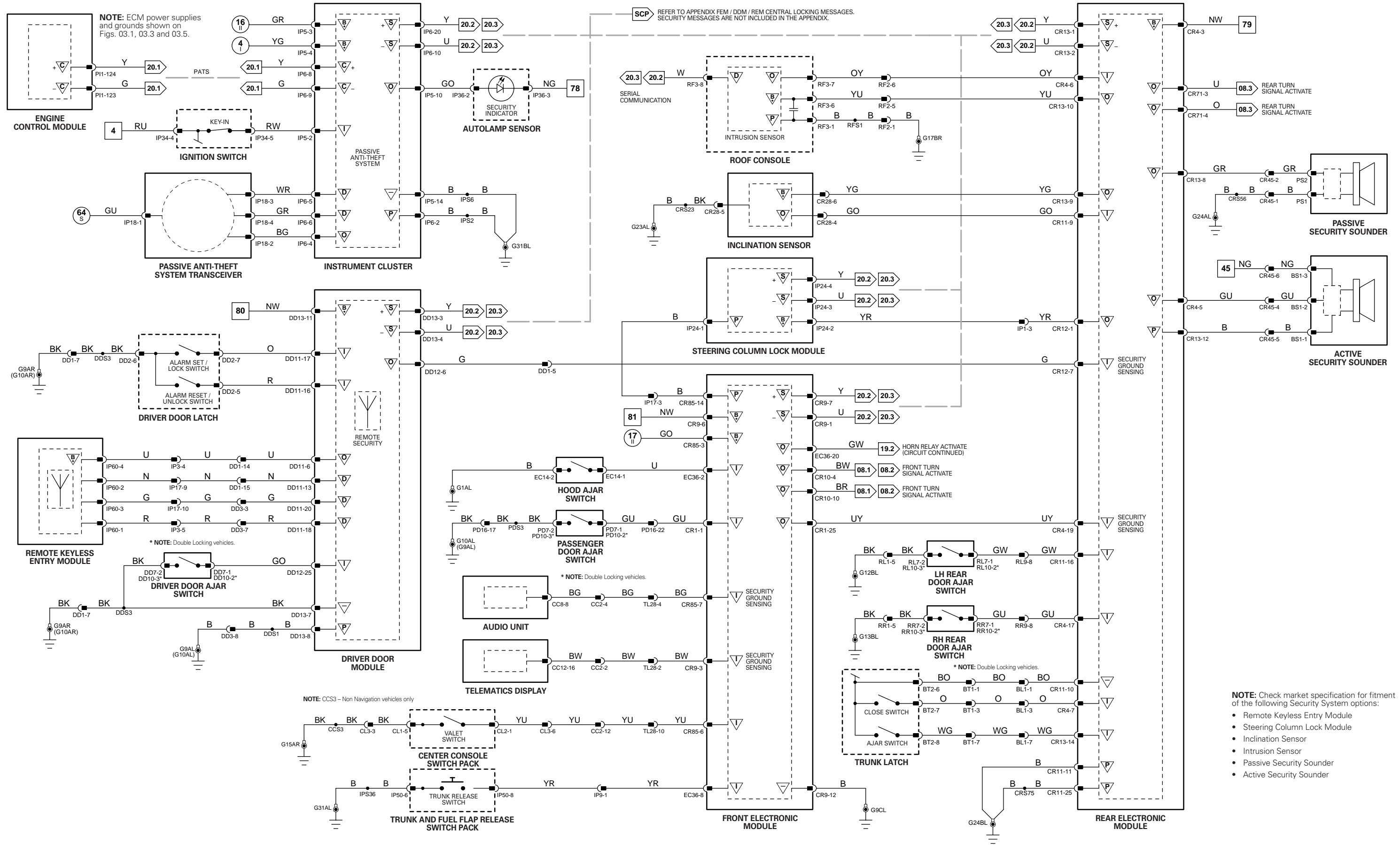
VARIANT: Heated Rear Seats Vehicles
 VIN RANGE: All
 DATE OF ISSUE: October 2002 (PROVISIONAL)

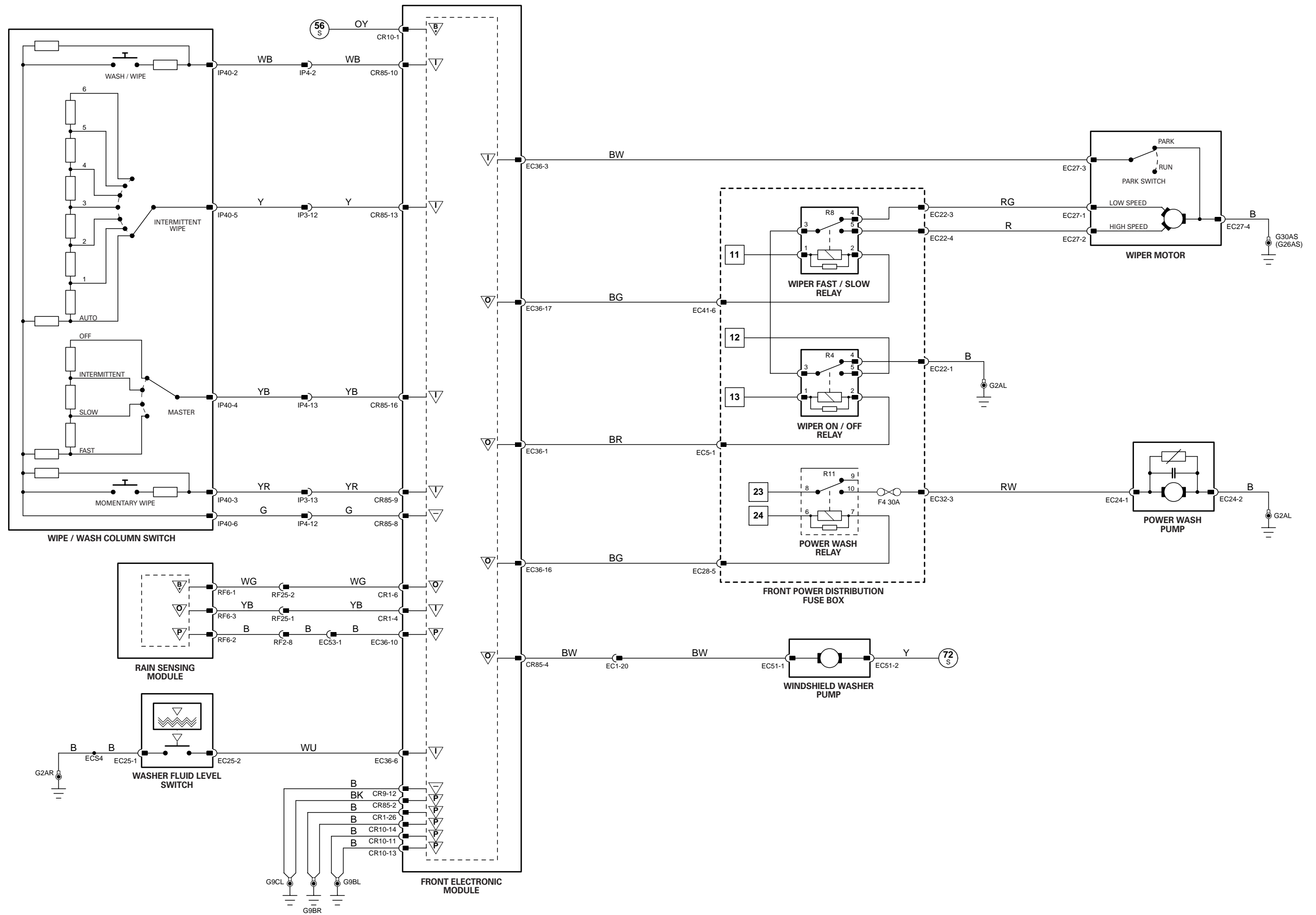


1 → 6	65 → 96	16 → 50	77 → 103
7 → 64	1 → 15	51 → 76	104 → 141

▽ Input	⊖ Battery Voltage	⊖ Sensor/Signal Supply V	⊖ ACP	⊖ SCP
▽ Output	⊖ Power Ground	⊖ Sensor/Signal Ground	⊖ CAN	⊖ Serial and Encoded Data

VARIANT: All Vehicles
 VIN RANGE: All
 DATE OF ISSUE: October 2002 (PROVISIONAL)





1 → 6 Fig. 01.1
7 → 64 Fig. 01.2

65 → 96 Fig. 01.3
1 → 15 Fig. 01.4

16 → 50 Fig. 01.5
51 → 76 Fig. 01.6

77 → 103 Fig. 01.7
104 → 141 Fig. 01.8

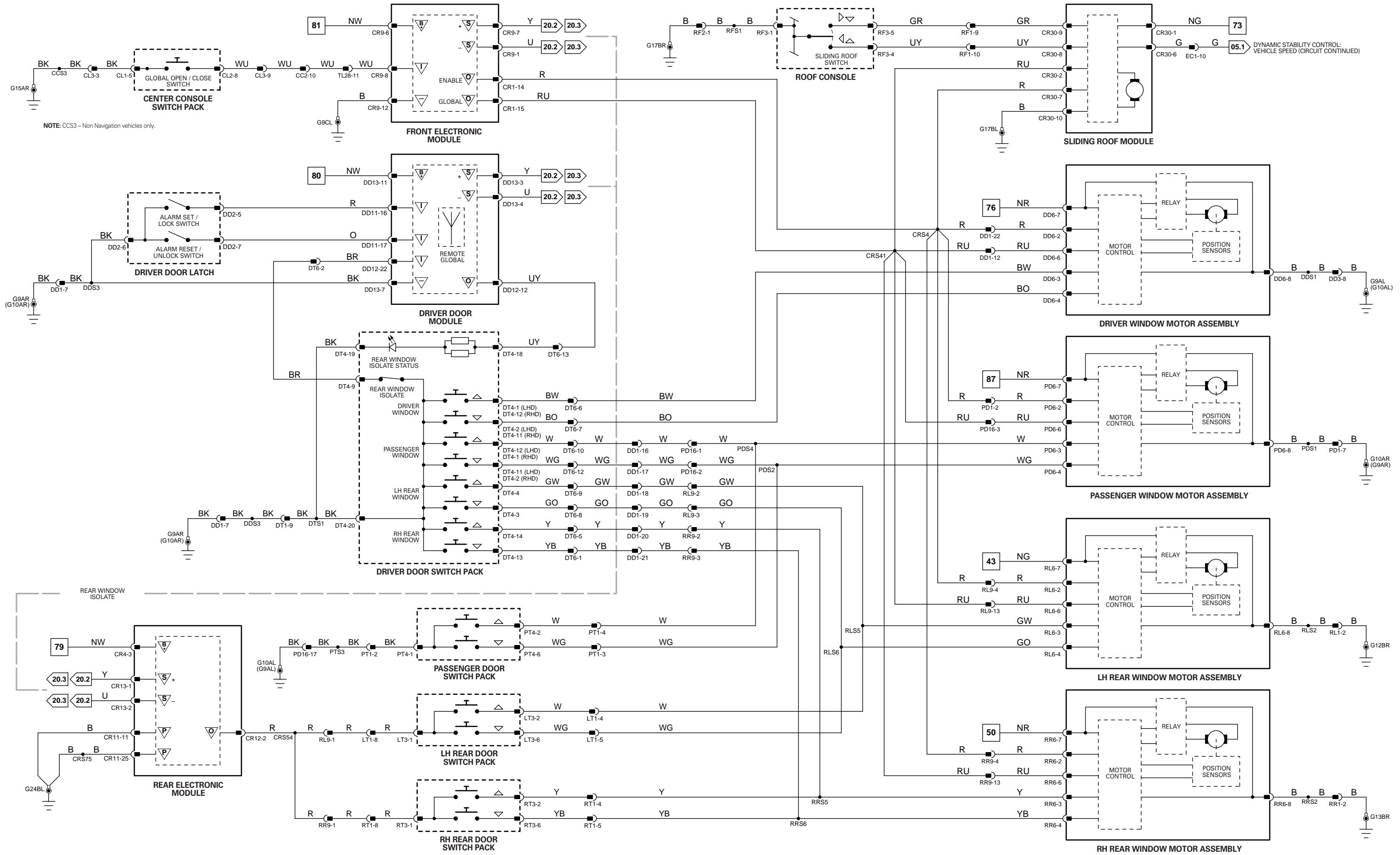
▽ Input
▽ Output

B Battery Voltage
P Power Ground

▽ Sensor/Signal Supply V
▽ Sensor/Signal Ground

△ ACP
△ CAN
△ SCP
△ Serial and Encoded Data

VARIANT: All Vehicles
VIN RANGE: All
DATE OF ISSUE: October 2002 (PROVISIONAL)

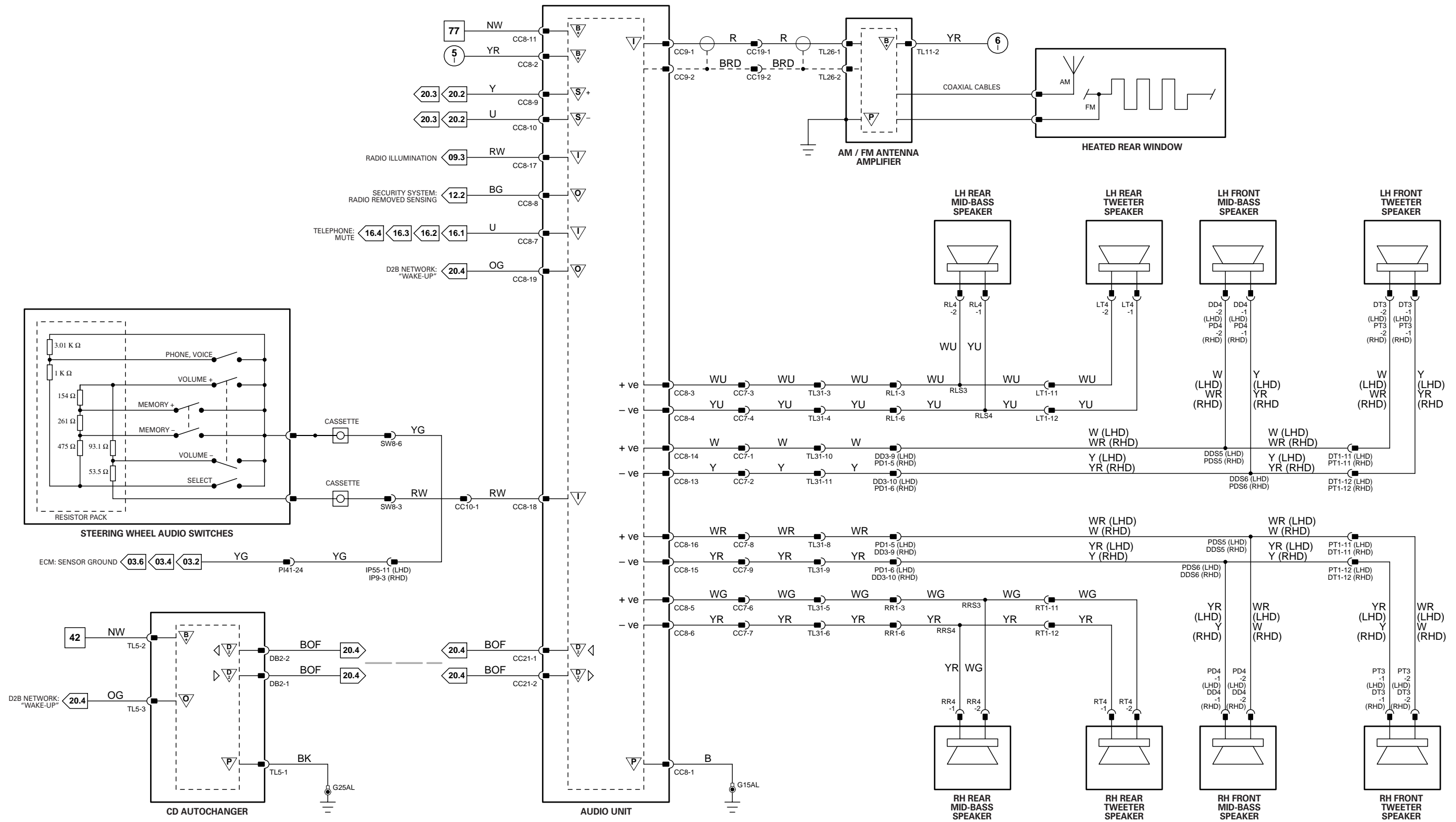


NOTE: CCS3 - Non Navigation vehicles only.

DYNAMIC STABILITY CONTROL: VEHICLE SPEED (CIRCUIT CONTINUED)

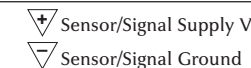
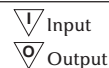
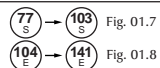
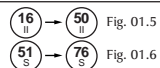
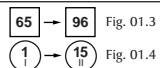
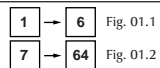
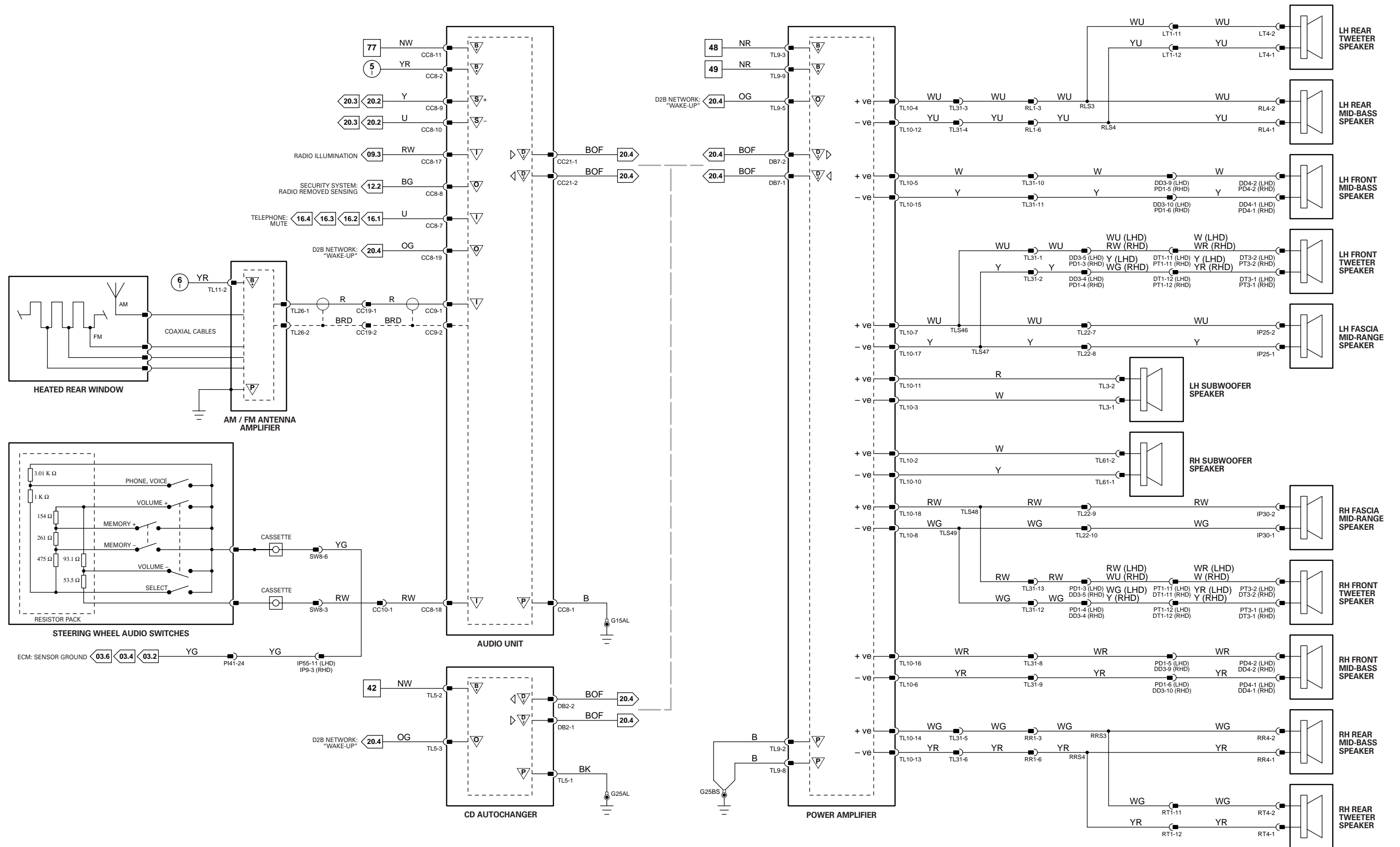
1 → 6	65 → 96	16 → 50	77 → 103	Input	B Battery Voltage	▽ Sensor/Signal Supply V	△ ACP	▽ SCP
7 → 64	1 → 15	51 → 76	104 → 141	▽ Output	P Power Ground	▽ Sensor/Signal Ground	C CAN	▽ Serial and Encoded Data

VARIANT: All Vehicles
VIN RANGE: All
DATE OF ISSUE: October 2002 (PROVISIONAL)

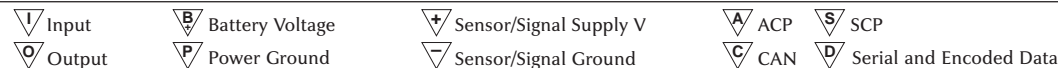
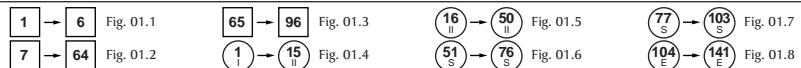
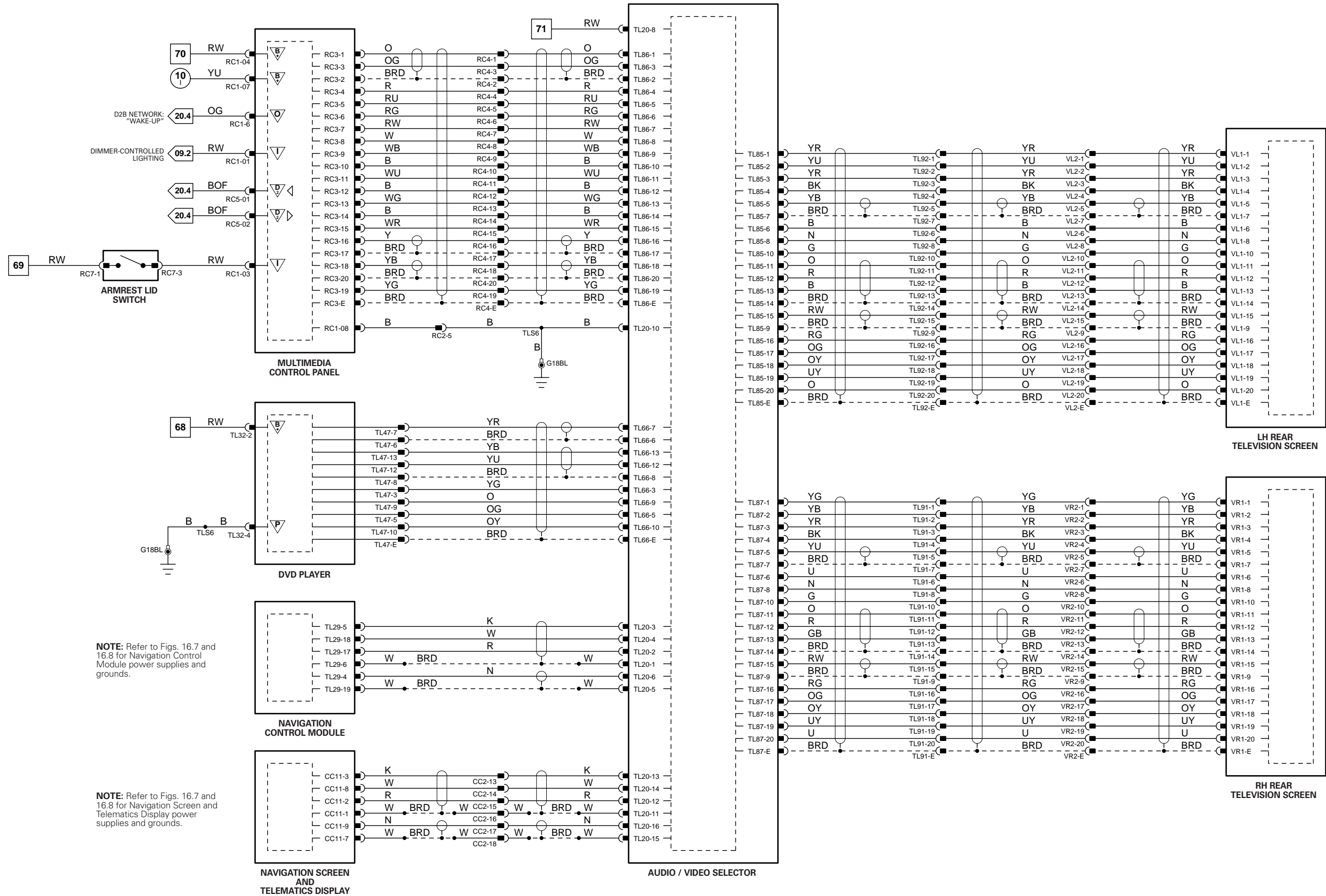


1 → 6 Fig. 01.1	65 → 96 Fig. 01.3	16 → 50 Fig. 01.5	77 → 103 Fig. 01.7	Input	B Battery Voltage	∇ Sensor/Signal Supply V	∇ ACP	∇ SCP
7 → 64 Fig. 01.2	1 → 15 Fig. 01.4	51 → 76 Fig. 01.6	104 → 141 Fig. 01.8	Output	P Power Ground	∇ Sensor/Signal Ground	∇ C CAN	∇ Serial and Encoded Data

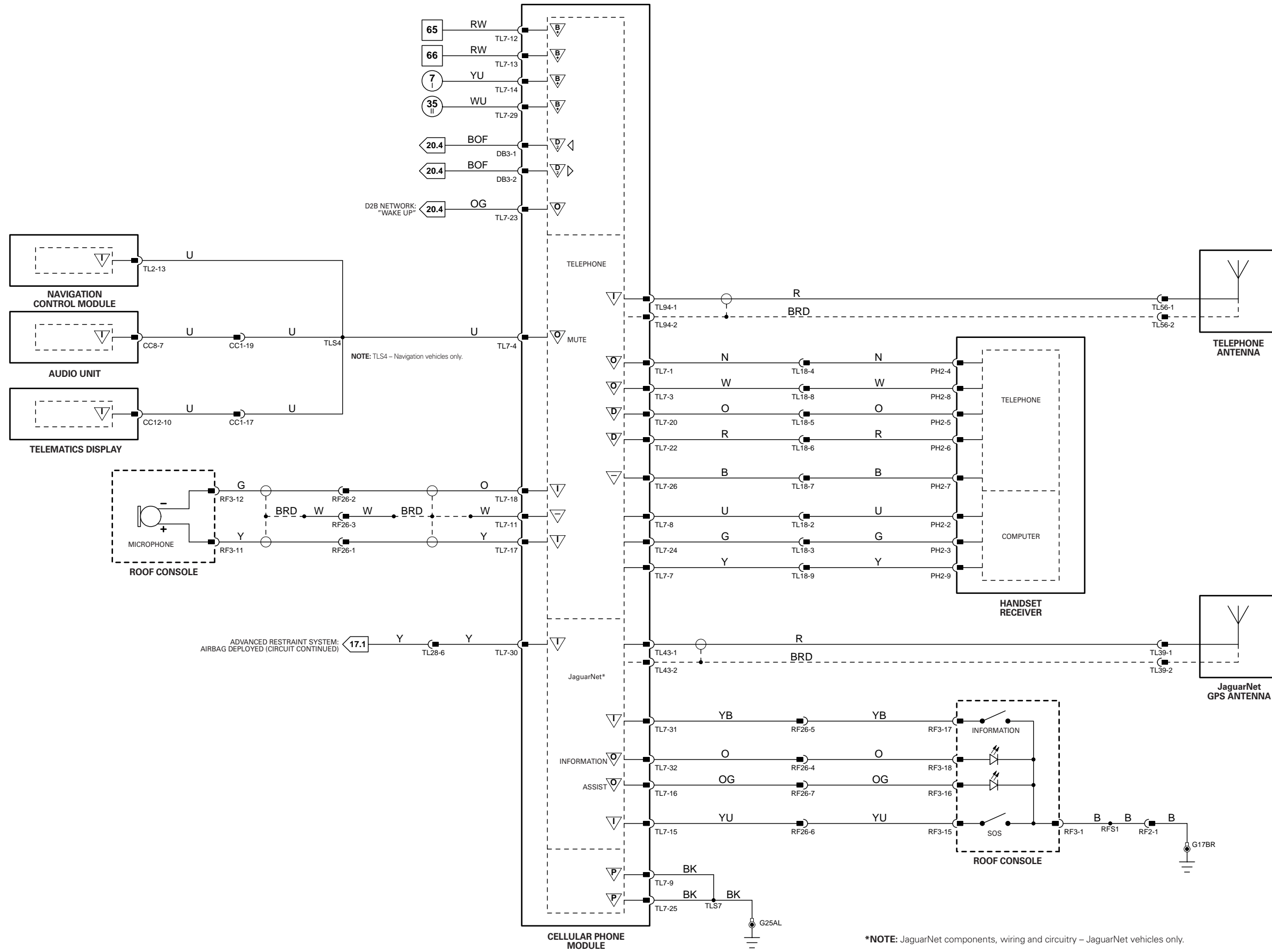
VARIANT: Premium ICE Vehicles
VIN RANGE: All
DATE OF ISSUE: October 2002 (PROVISIONAL)

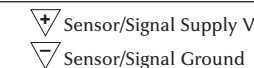
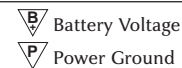
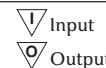
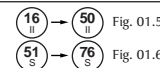
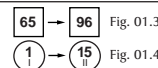
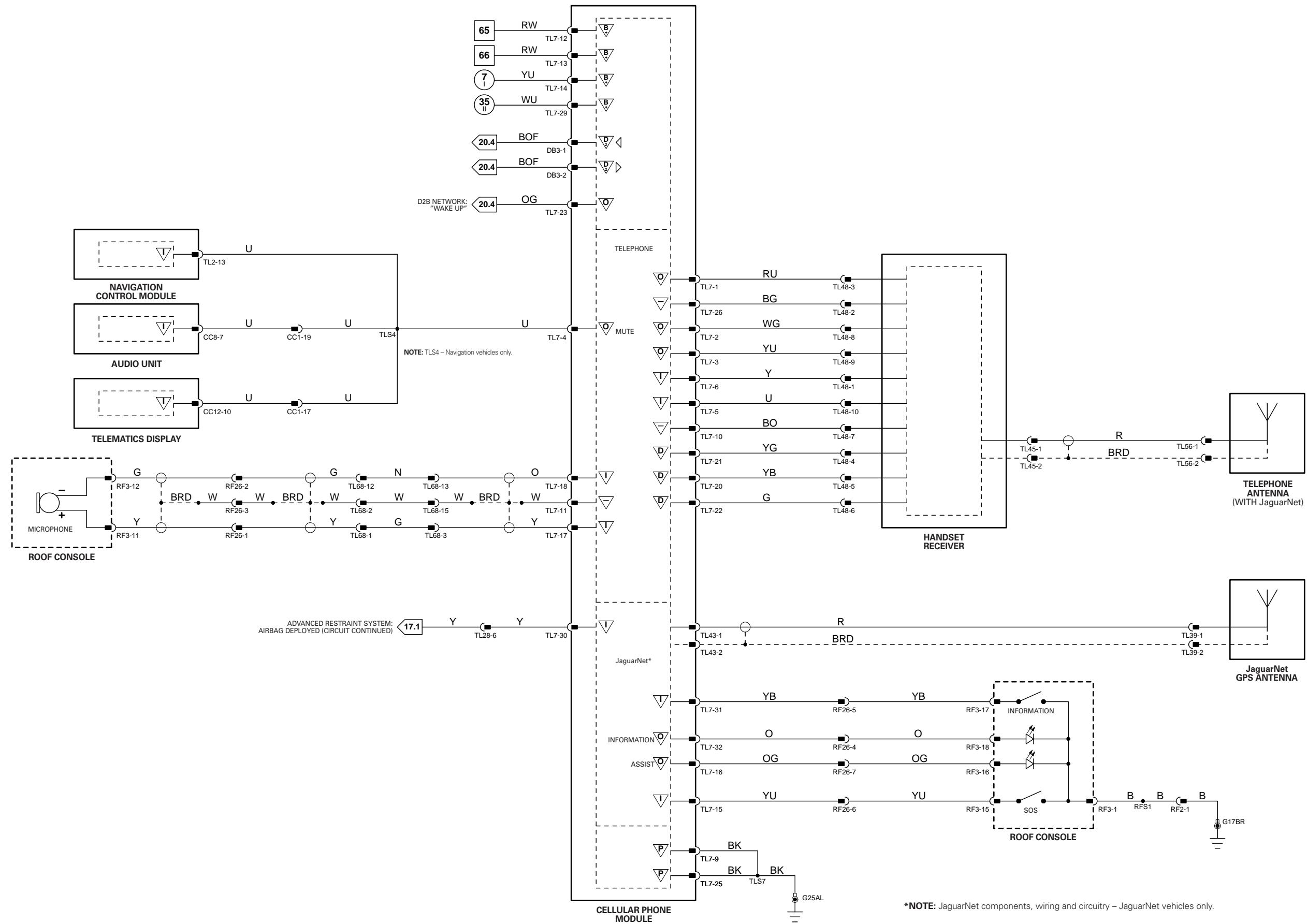


VARIANT: Audiophile ICE Vehicles
 VIN RANGE: All
 DATE OF ISSUE: October 2002 (PROVISIONAL)

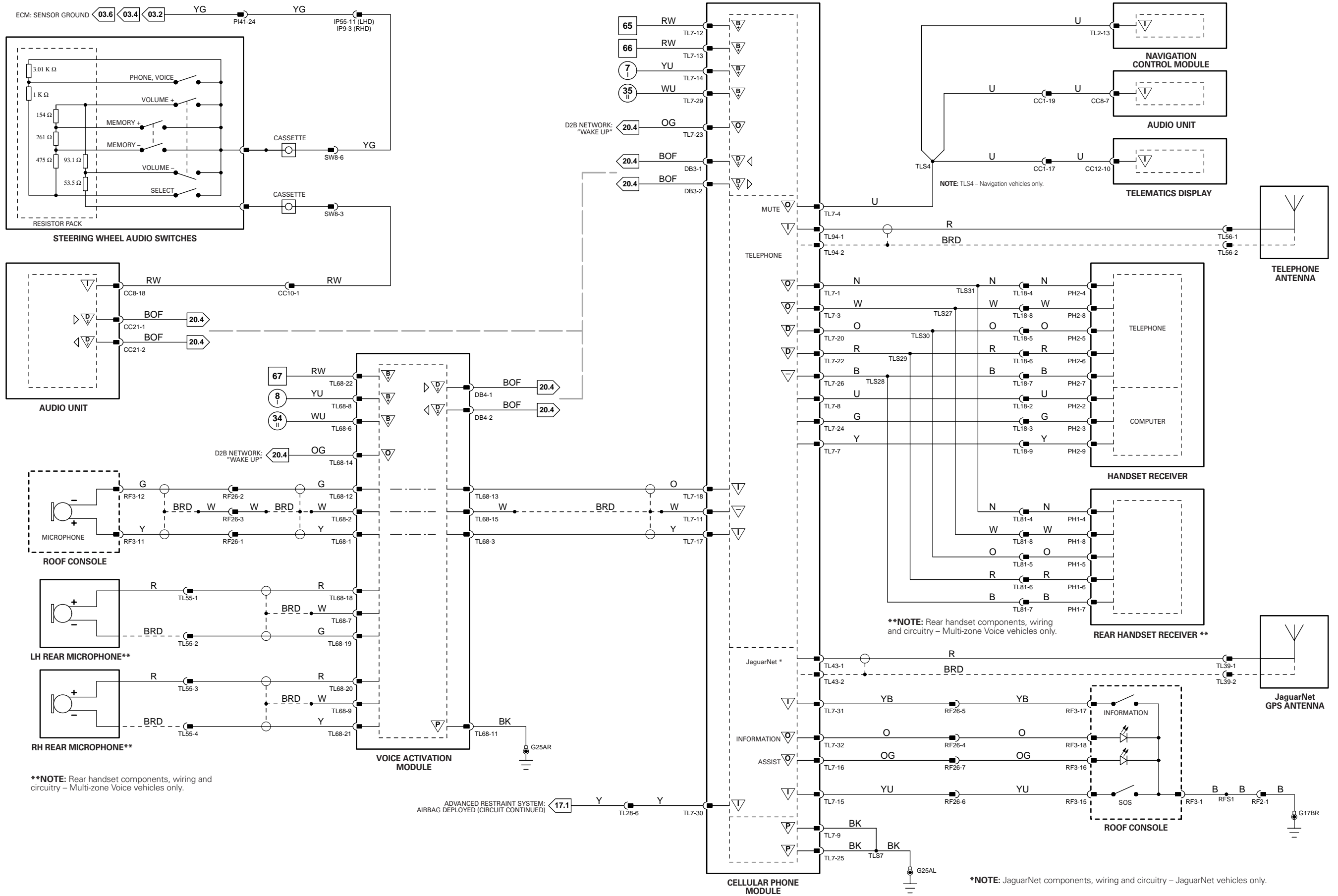


VARIANT: Rear ICE Vehicles
 VIN RANGE: All
 DATE OF ISSUE: October 2002 (PROVISIONAL)





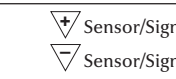
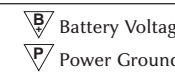
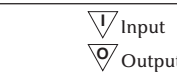
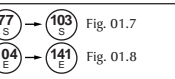
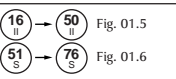
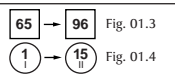
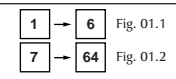
VARIANT: NAS Vehicles
 VIN RANGE: All
 DATE OF ISSUE: October 2002 (PROVISIONAL)



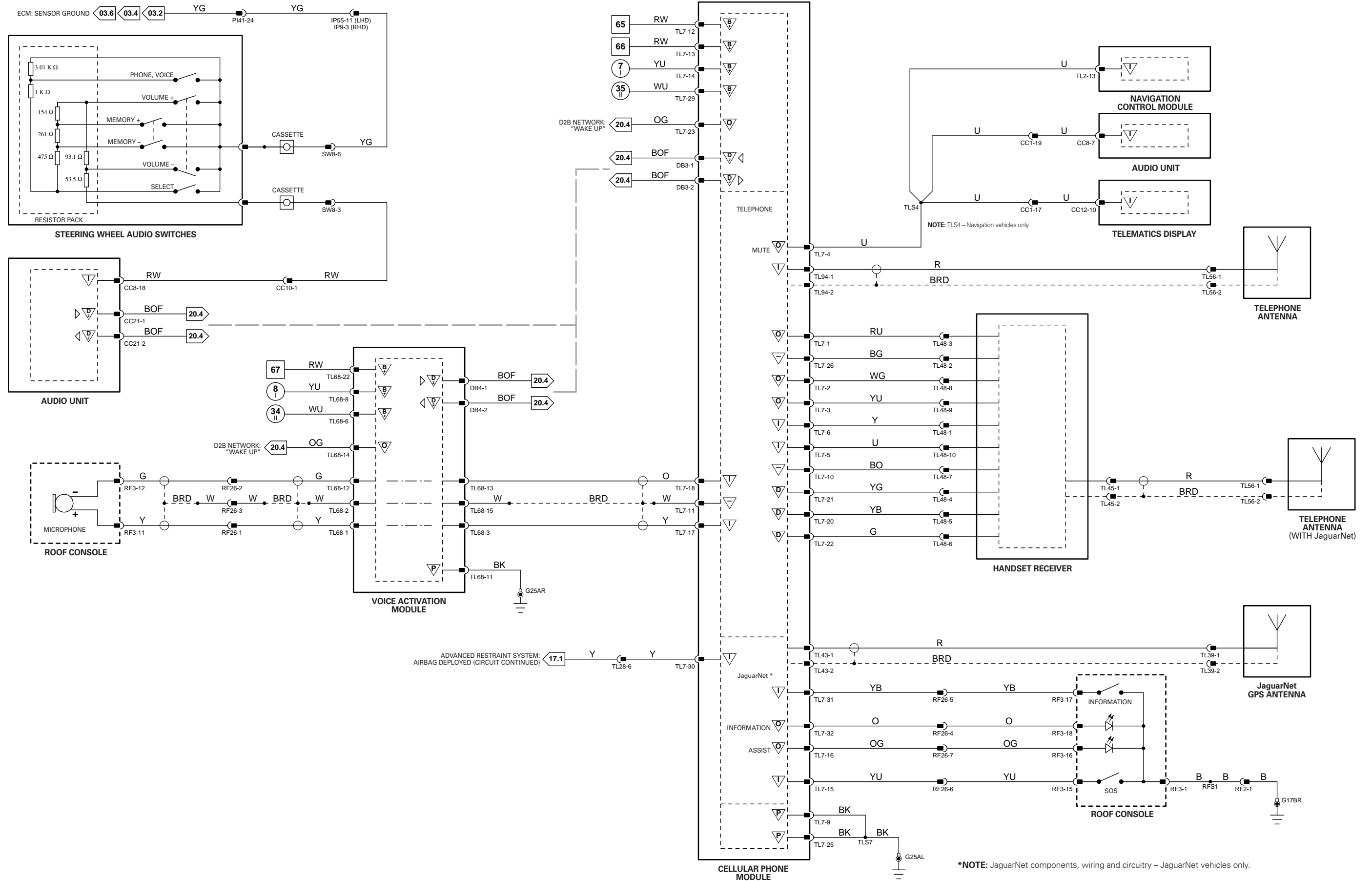
**NOTE: Rear handset components, wiring and circuitry - Multi-zone Voice vehicles only.

**NOTE: Rear handset components, wiring and circuitry - Multi-zone Voice vehicles only.

**NOTE: JaguarNet components, wiring and circuitry - JaguarNet vehicles only.



VARIANT: ROW Voice Vehicles (except Japan)
VIN RANGE: All
DATE OF ISSUE: October 2002 (PROVISIONAL)

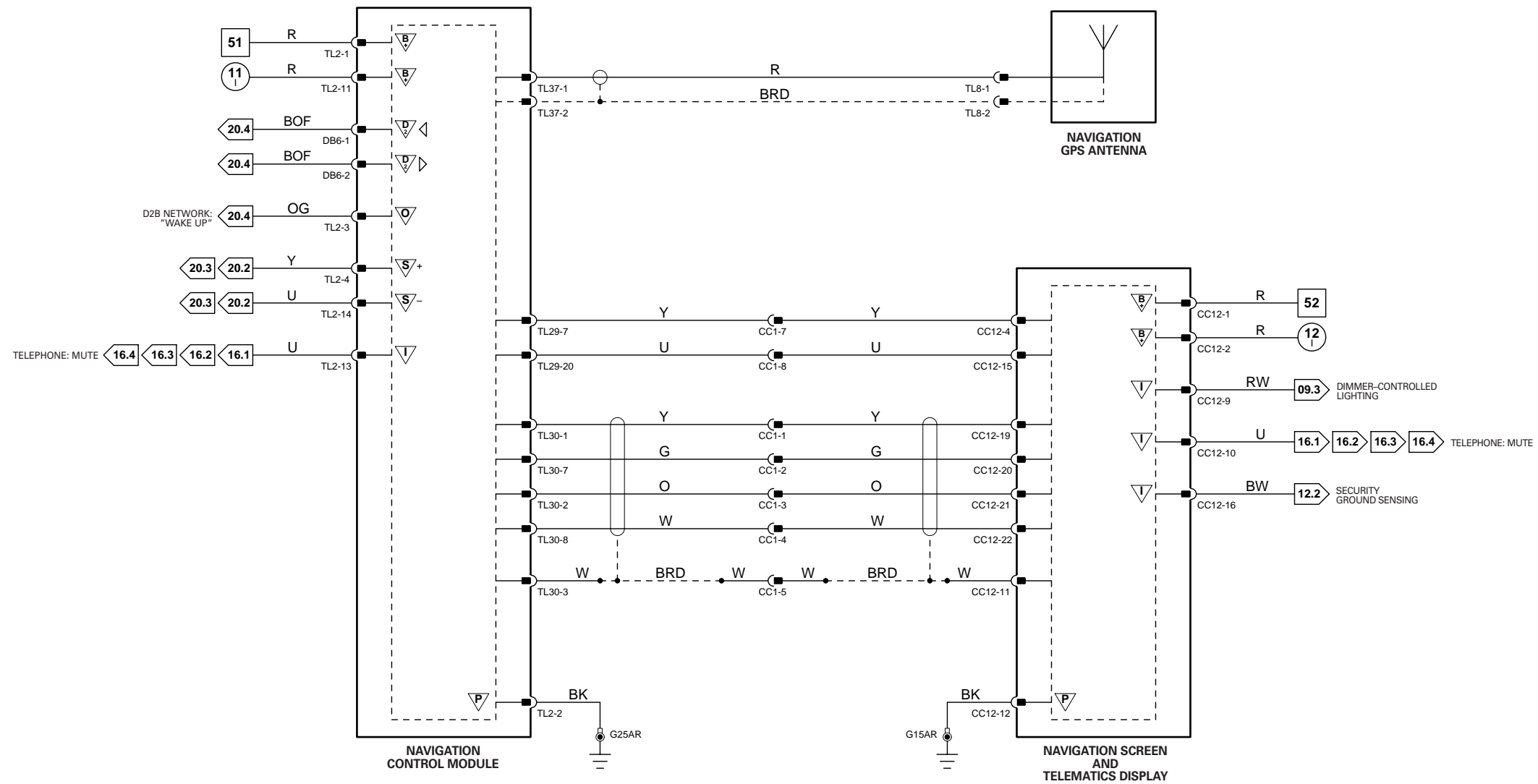


*NOTE: JaguarNet components, wiring and circuitry - JaguarNet vehicles only.

1 → 6	Fig. 01.1	65 → 96	Fig. 01.3	16 → 50	Fig. 01.5	77 → 103	Fig. 01.7
7 → 64	Fig. 01.2	1 → 15	Fig. 01.4	51 → 76	Fig. 01.6	104 → 141	Fig. 01.8

▽ Input	⊖ Battery Voltage	▽ Sensor/Signal Supply V	▽ ACP	▽ SCP
▽ Output	⊖ Power Ground	▽ Sensor/Signal Ground	▽ CAN	▽ Serial and Encoded Data

VARIANT: NAS Voice Vehicles
 VIN RANGE: All
 DATE OF ISSUE: October 2002 (PROVISIONAL)



1 → 6 Fig. 01.1
7 → 64 Fig. 01.2

65 → 96 Fig. 01.3
1 → 15 Fig. 01.4

16 → 50 Fig. 01.5
51 → 76 Fig. 01.6

77 → 103 Fig. 01.7
104 → 141 Fig. 01.8

▽ Input
▽ Output

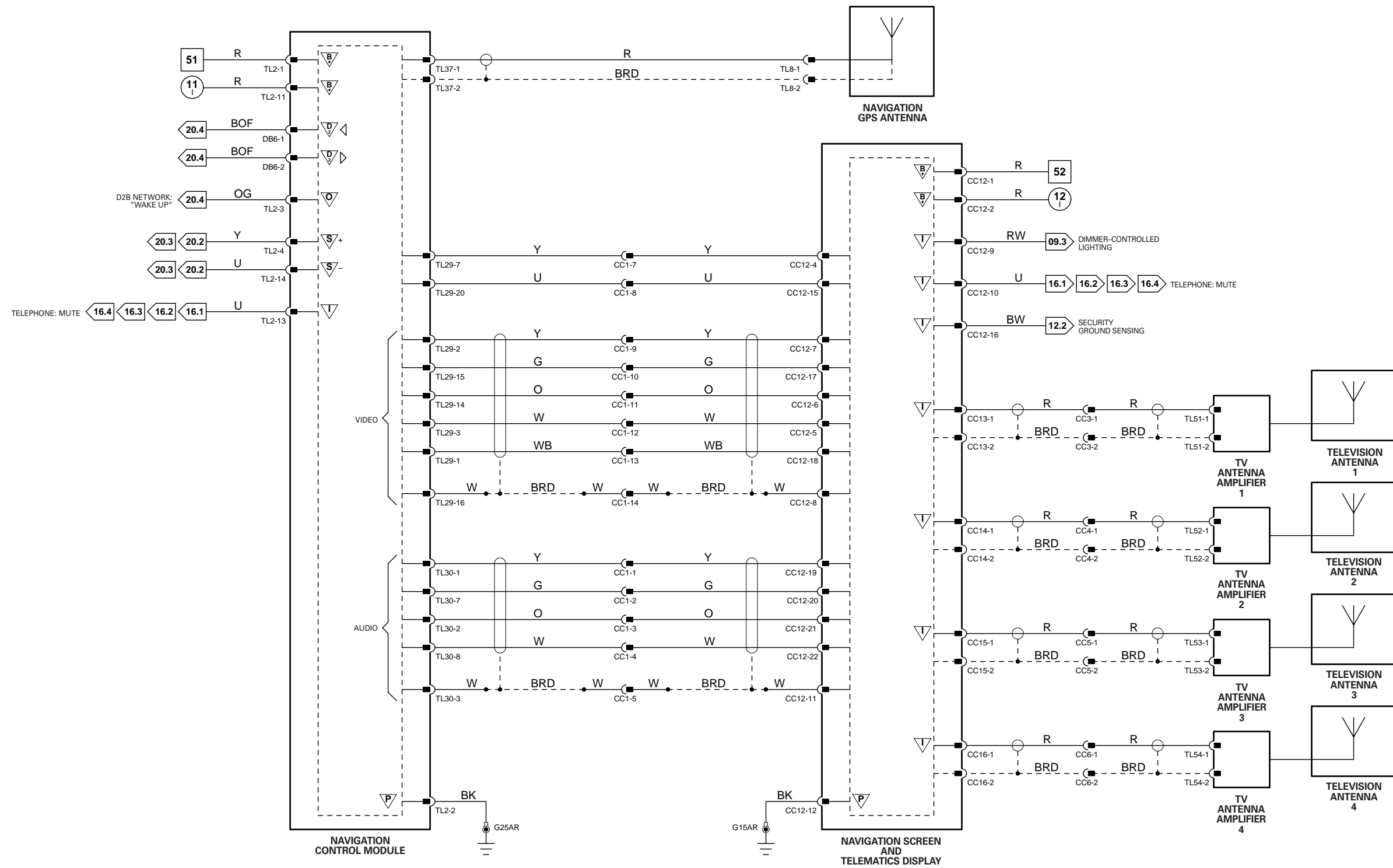
Ⓟ Battery Voltage
Ⓟ Power Ground

▽ Sensor/Signal Supply V
▽ Sensor/Signal Ground

Ⓜ ACP
Ⓜ CAN

Ⓜ SCP
Ⓜ Serial and Encoded Data

VARIANT: Navigation Vehicles (except Japan)
VIN RANGE: All
DATE OF ISSUE: October 2002 (PROVISIONAL)



1 → 6 Fig. 01.1
7 → 64 Fig. 01.2

65 → 96 Fig. 01.3
1 → 15 Fig. 01.4

16 → 50 Fig. 01.5
51 → 76 Fig. 01.6

77 → 103 Fig. 01.7
104 → 141 Fig. 01.8

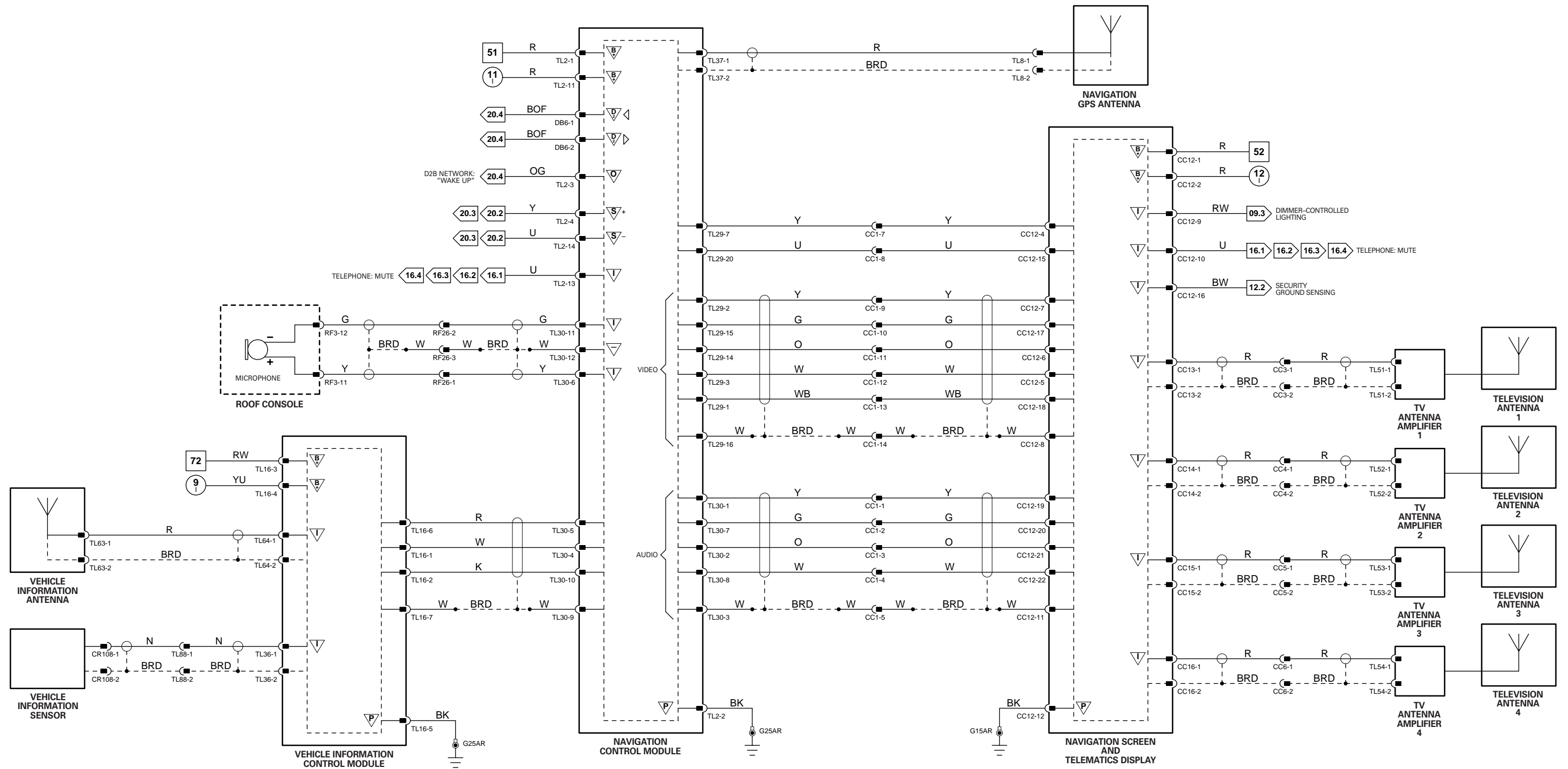
▽ Input
▽ Output

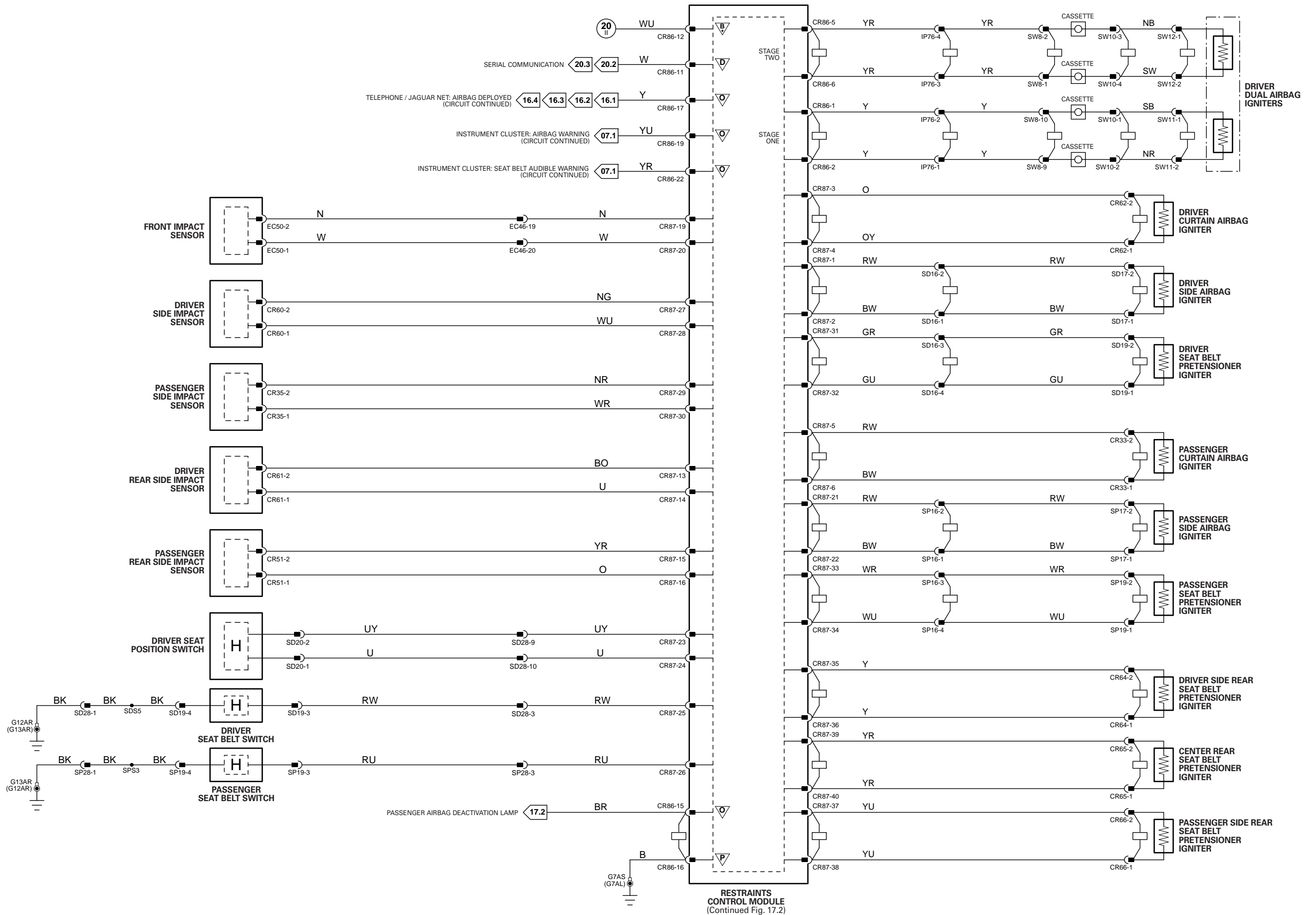
⏏ Battery Voltage
⏏ Power Ground

⏏ Sensor/Signal Supply V
⏏ Sensor/Signal Ground

⏏ ACP
⏏ SCP
⏏ CAN
⏏ Serial and Encoded Data

VARIANT: Navigation Vehicles with TV (except Japan)
VIN RANGE: All
DATE OF ISSUE: October 2002 (PROVISIONAL)





1 → 6 Fig. 01.1
7 → 64 Fig. 01.2

65 → 96 Fig. 01.3
1 → 15 Fig. 01.4

16 → 50 Fig. 01.5
51 → 76 Fig. 01.6

77 → 103 Fig. 01.7
104 → 141 Fig. 01.8

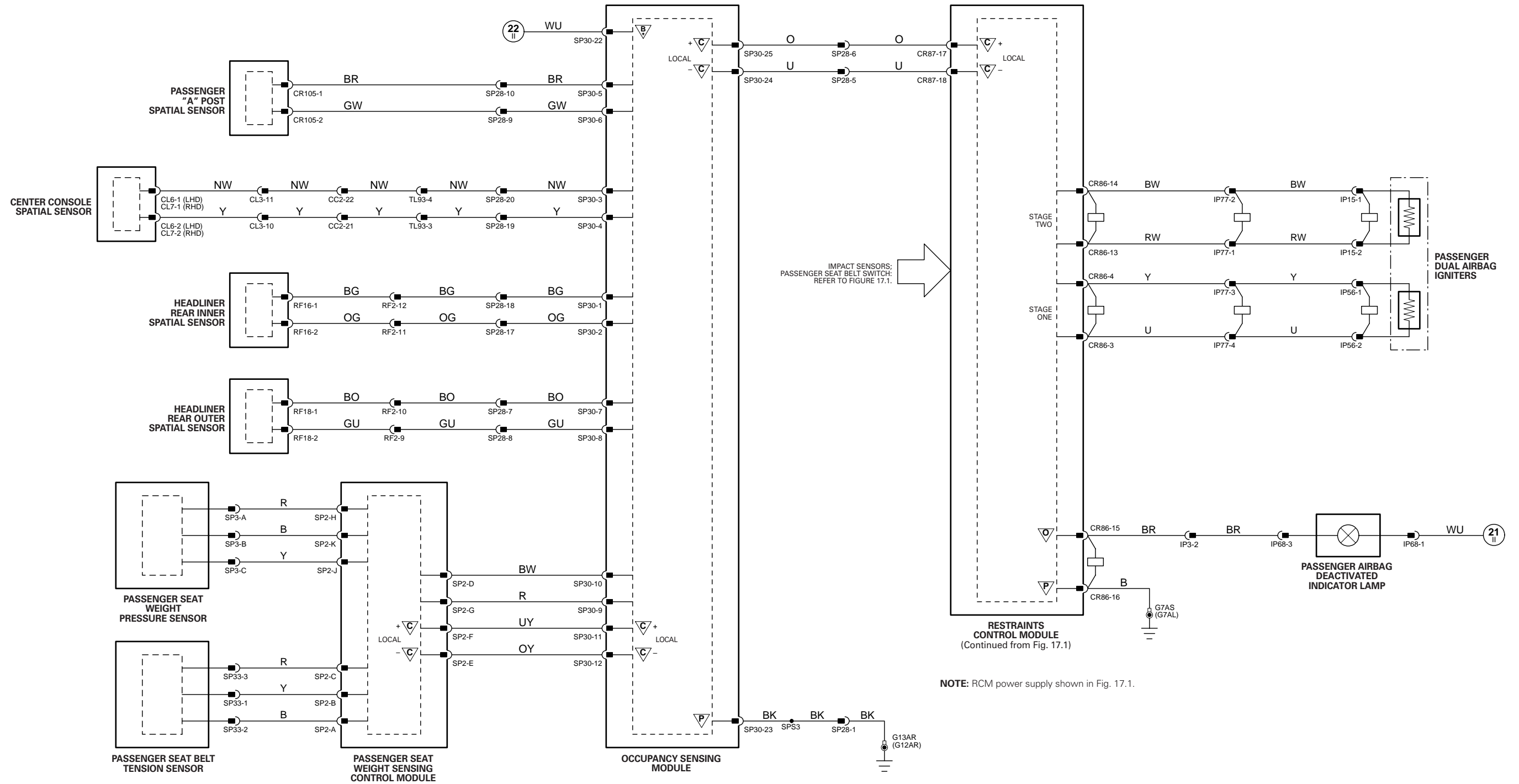
▽ Input
▽ Output

B Battery Voltage
P Power Ground

▽ Sensor/Signal Supply V
▽ Sensor/Signal Ground

A ACP S SCP
C CAN D Serial and Encoded Data

VARIANT: All Vehicles
VIN RANGE: All
DATE OF ISSUE: October 2002 (PROVISIONAL)



1	→	6
7	→	64

65	→	96
1	→	15

16	→	50
51	→	76

77	→	103
104	→	141

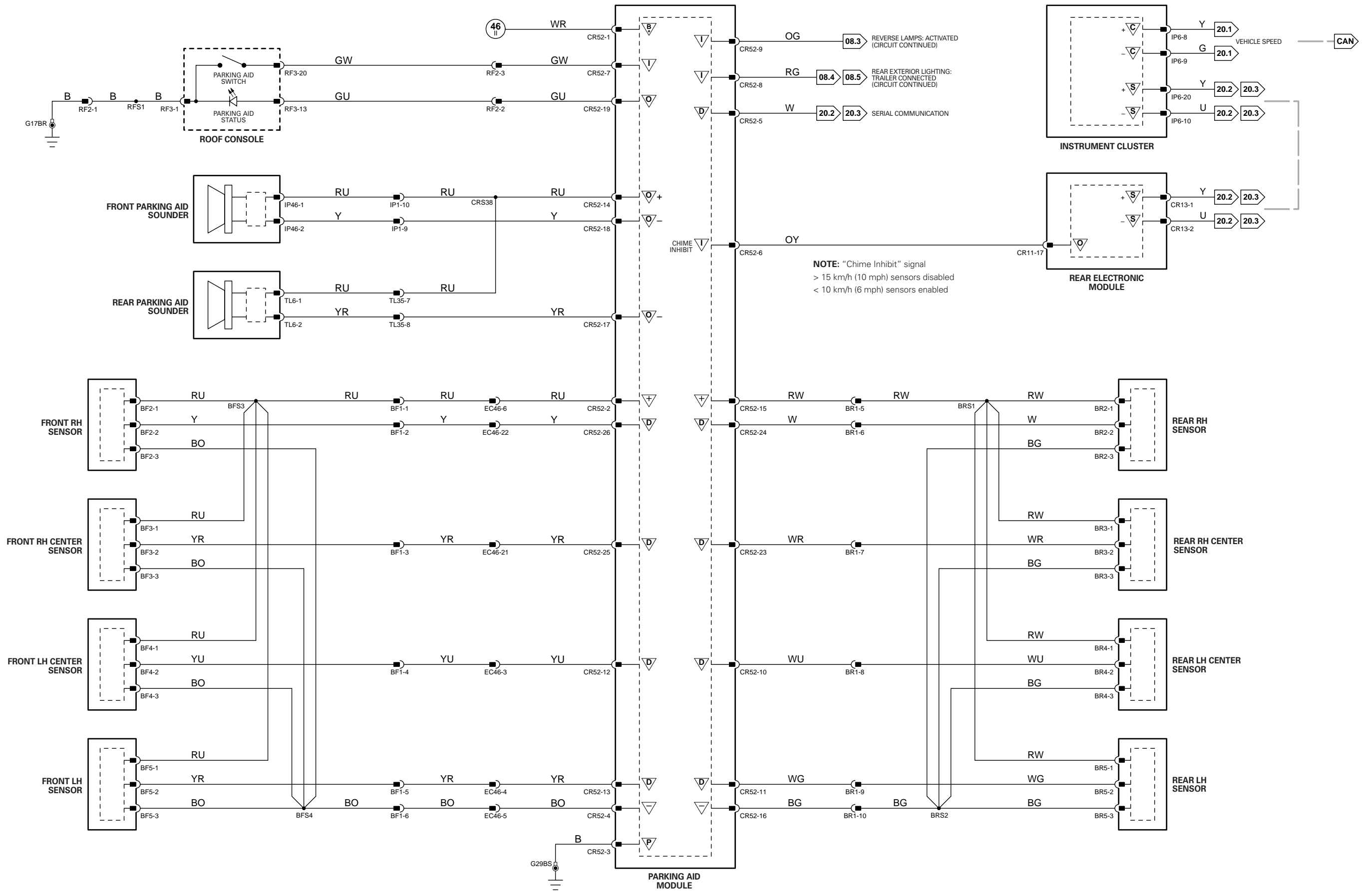
∇	Input
∇	Output

B	Battery Voltage
P	Power Ground

∇	Sensor/Signal Supply V
∇	Sensor/Signal Ground

A	ACP
S	SCP
C	CAN
D	Serial and Encoded Data

VARIANT: All Vehicles
 VIN RANGE: All
 DATE OF ISSUE: October 2002 (PROVISIONAL)



1 → 6 Fig. 01.1
7 → 64 Fig. 01.2

65 → 96 Fig. 01.3
1 → 15 Fig. 01.4

16 → 50 Fig. 01.5
51 → 76 Fig. 01.6

77 → 103 Fig. 01.7
104 → 141 Fig. 01.8

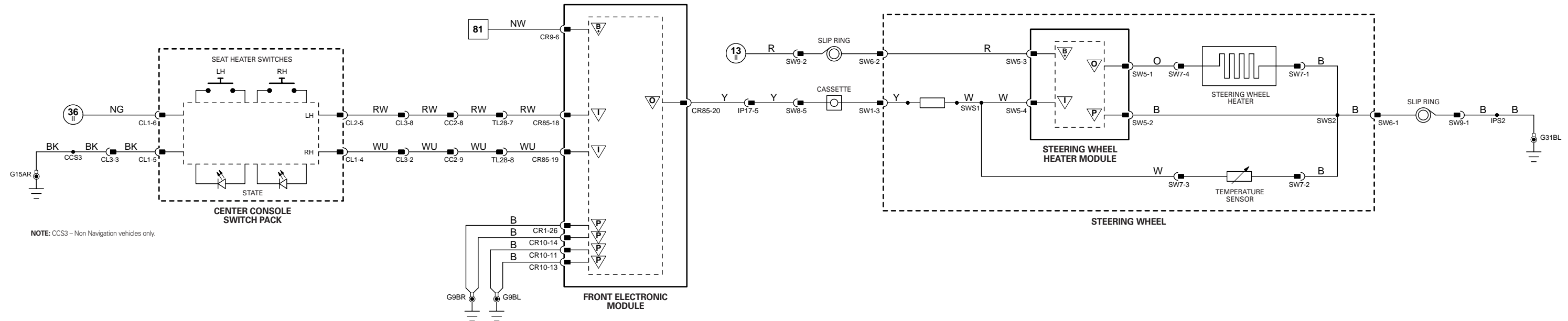
▽ Input
▽ Output

B Battery Voltage
P Power Ground

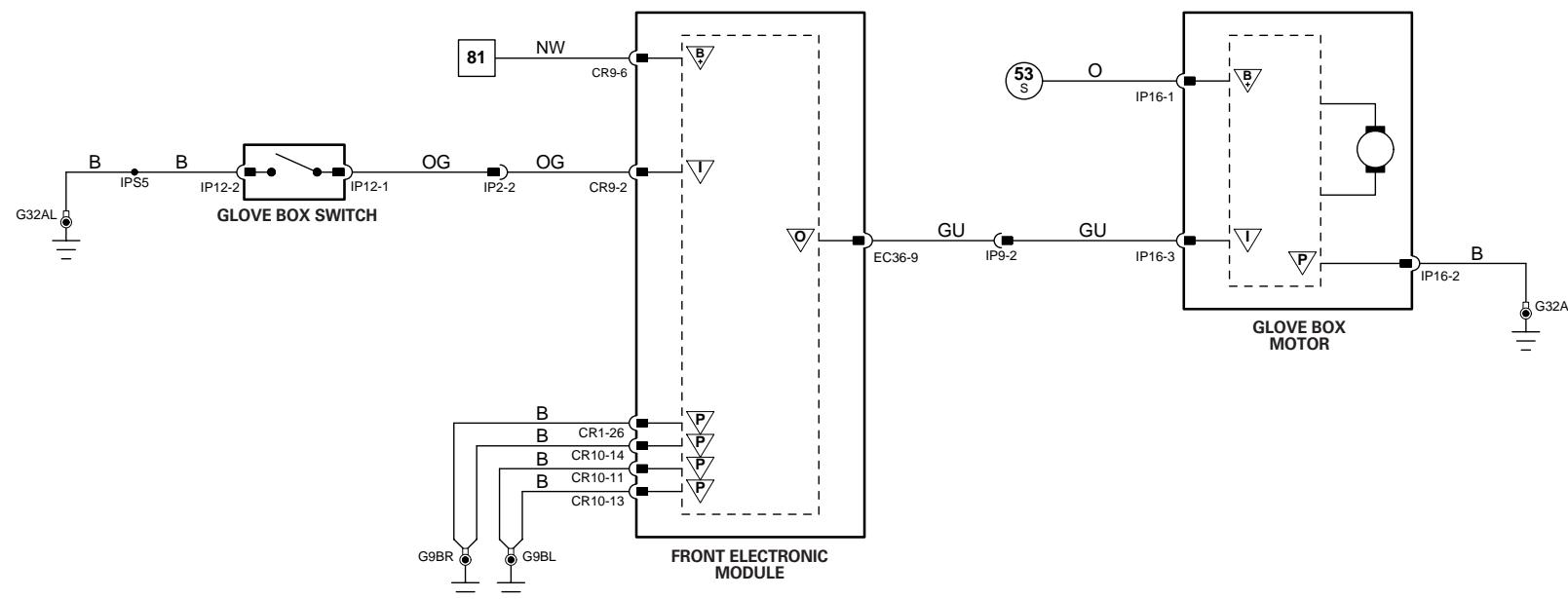
▽ Sensor/Signal Supply V
▽ Sensor/Signal Ground

▽ ACP
▽ SCP
▽ CAN
▽ Serial and Encoded Data

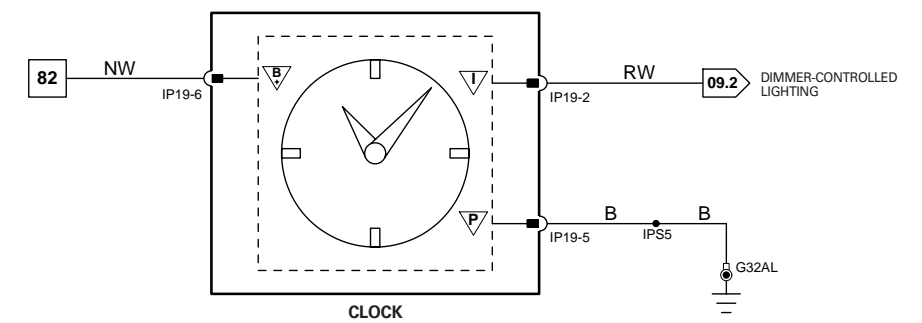
VARIANT: Parking Aid Vehicles
VIN RANGE: All
DATE OF ISSUE: October 2002 (PROVISIONAL)



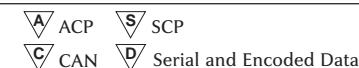
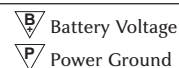
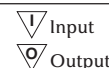
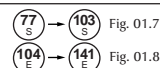
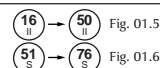
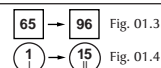
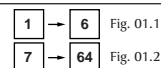
STEERING WHEEL HEATER



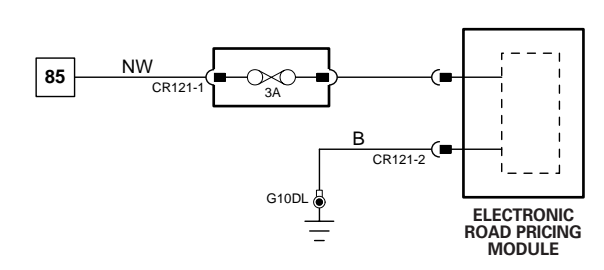
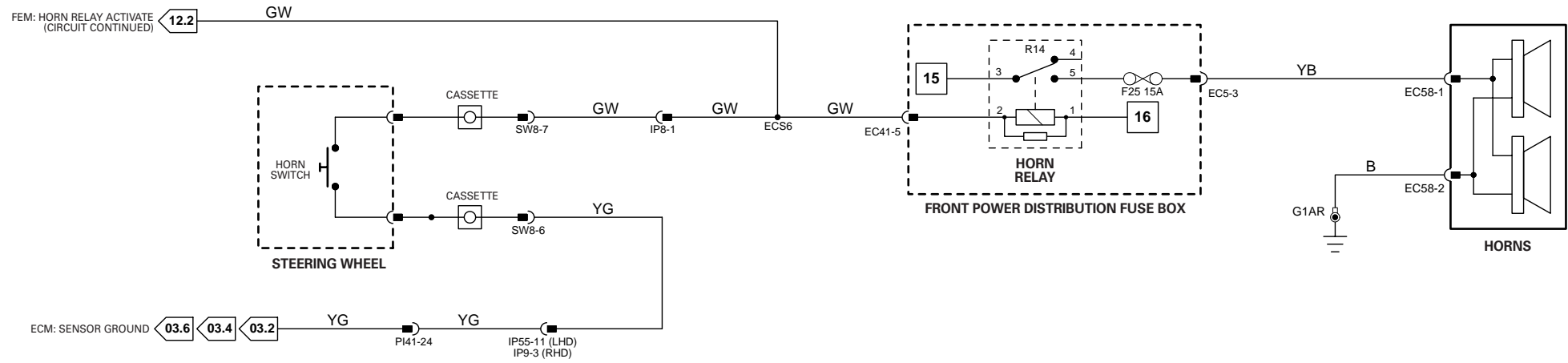
GLOVE BOX DOOR



CLOCK

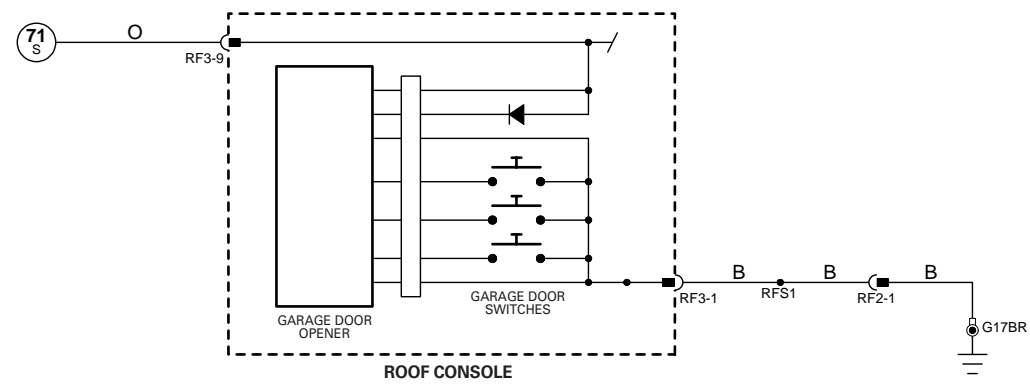


VARIANT: All Vehicles
 VIN RANGE: All
 DATE OF ISSUE: October 2002 (PROVISIONAL)

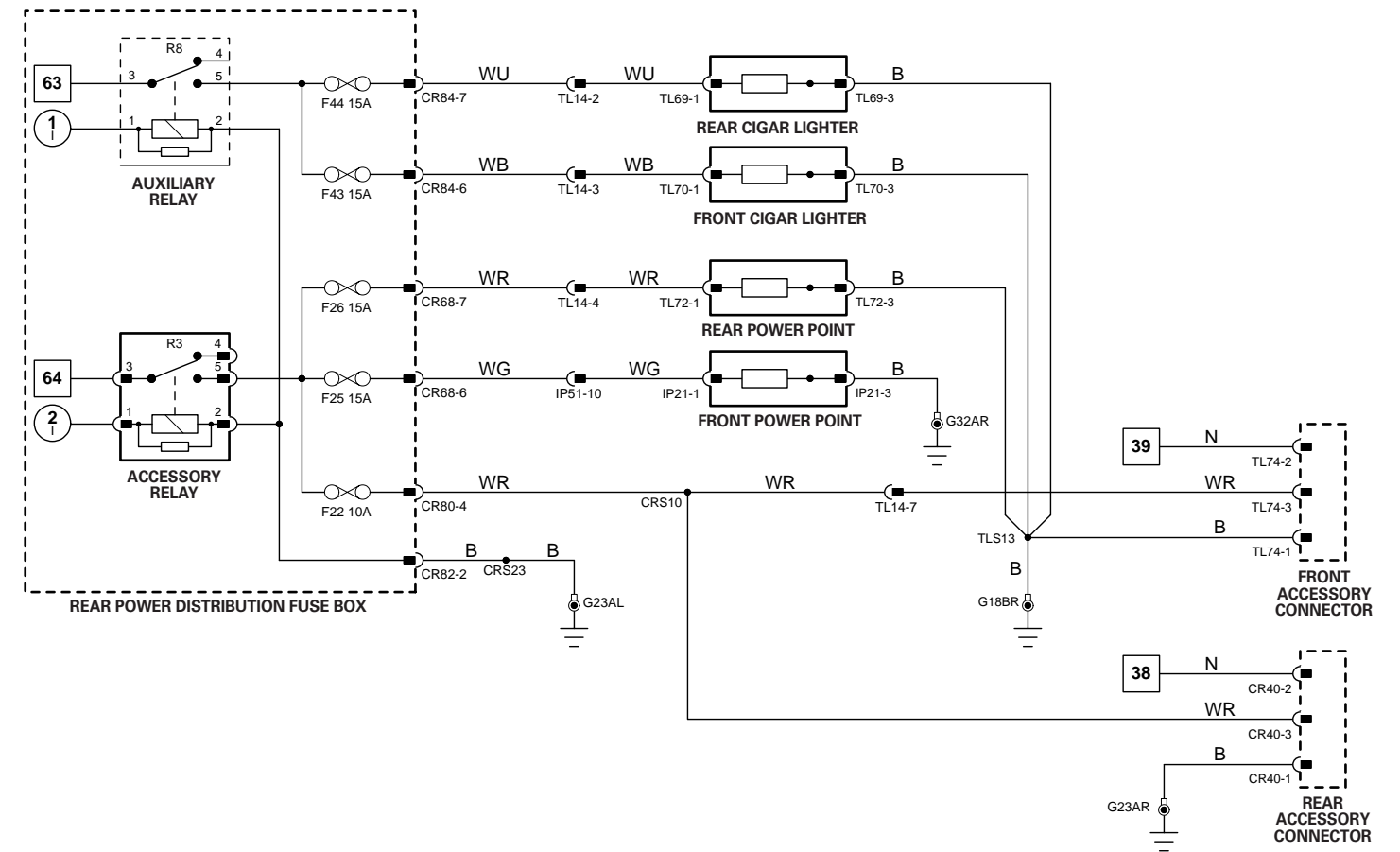


HORNS

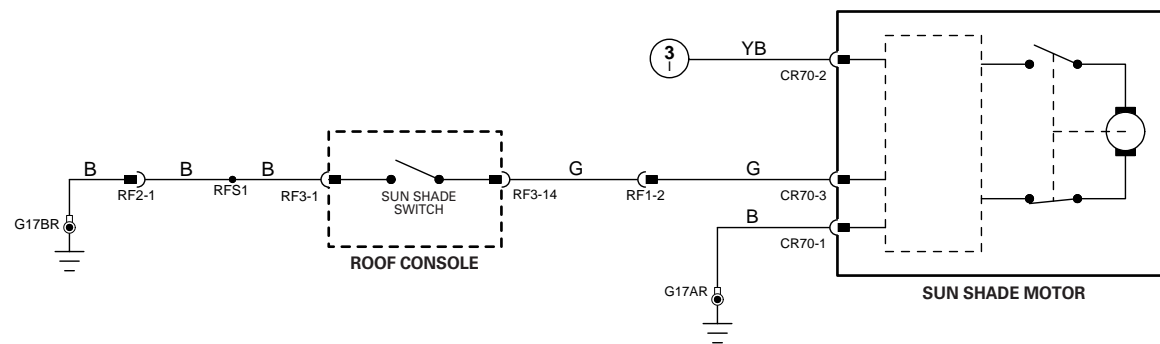
ELECTRONIC ROAD PRICING



GARAGE DOOR OPENER



CIGAR LIGHTERS, POWER POINTS, ACCESSORY CONNECTORS

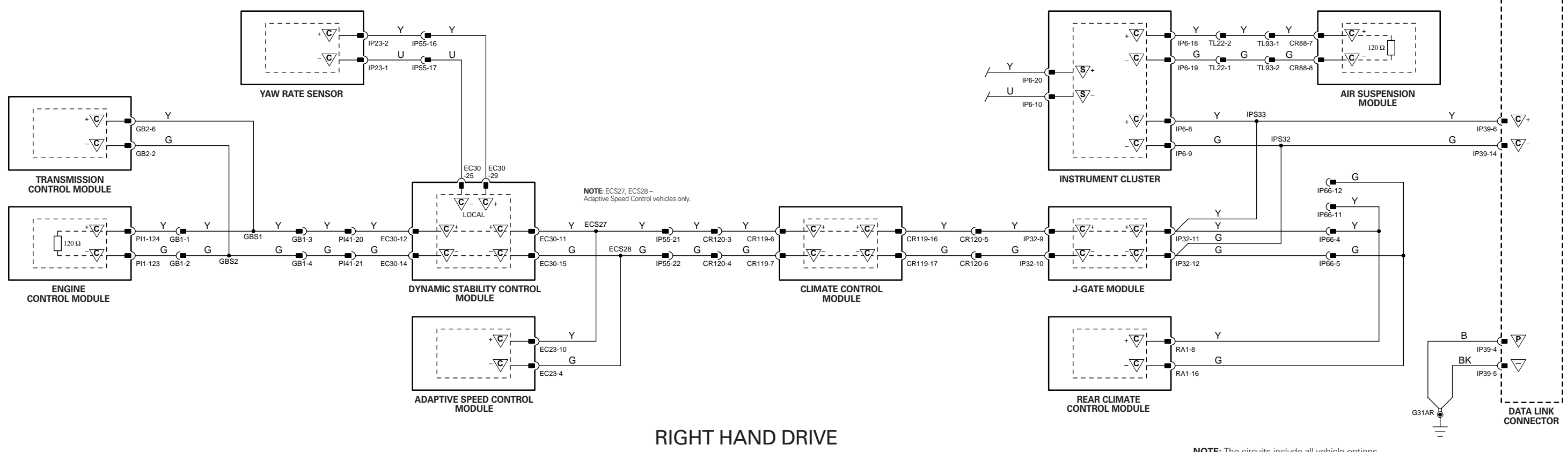
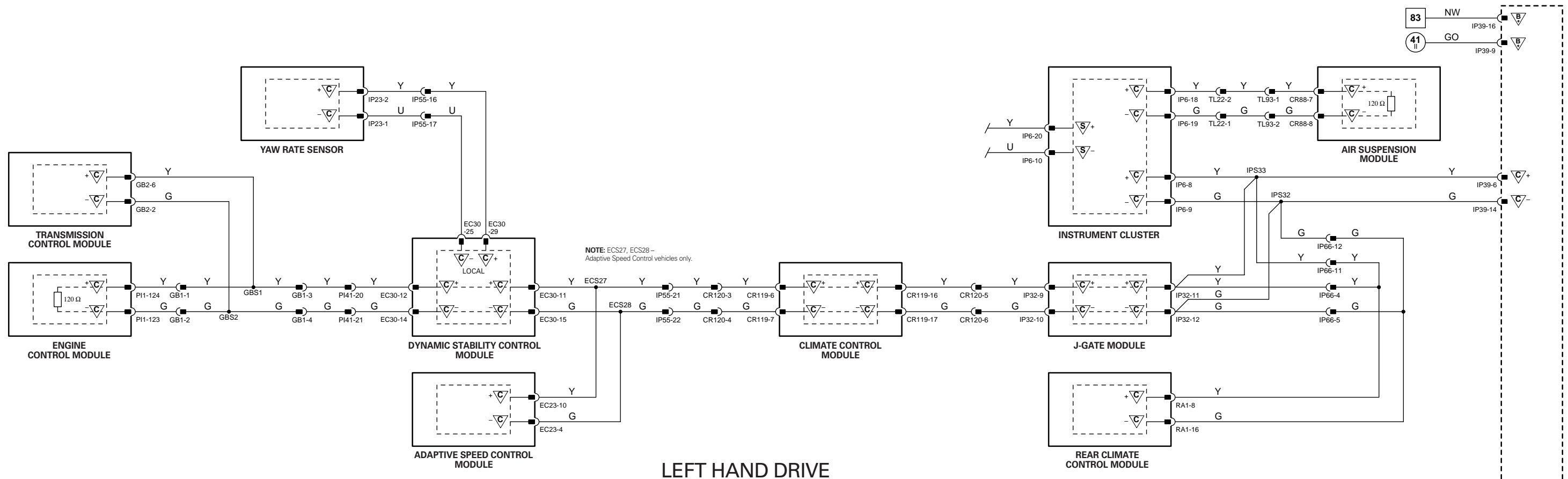


SUN SHADE

1 → 6	Fig. 01.1	65 → 96	Fig. 01.3	16 → 50	Fig. 01.5	77 → 103	Fig. 01.7
7 → 64	Fig. 01.2	1 → 15	Fig. 01.4	51 → 76	Fig. 01.6	104 → 141	Fig. 01.8

▽ Input	⊖ Battery Voltage	▽ Sensor/Signal Supply V	▽ ACP	▽ SCP
▽ Output	⊖ Power Ground	▽ Sensor/Signal Ground	▽ CAN	▽ Serial and Encoded Data

VARIANT: All Vehicles
 VIN RANGE: All
 DATE OF ISSUE: October 2002 (PROVISIONAL)



1	6	Fig. 01.1
7	64	Fig. 01.2

65	96	Fig. 01.3
1	15	Fig. 01.4

16	50	Fig. 01.5
51	76	Fig. 01.6

77	103	Fig. 01.7
104	141	Fig. 01.8

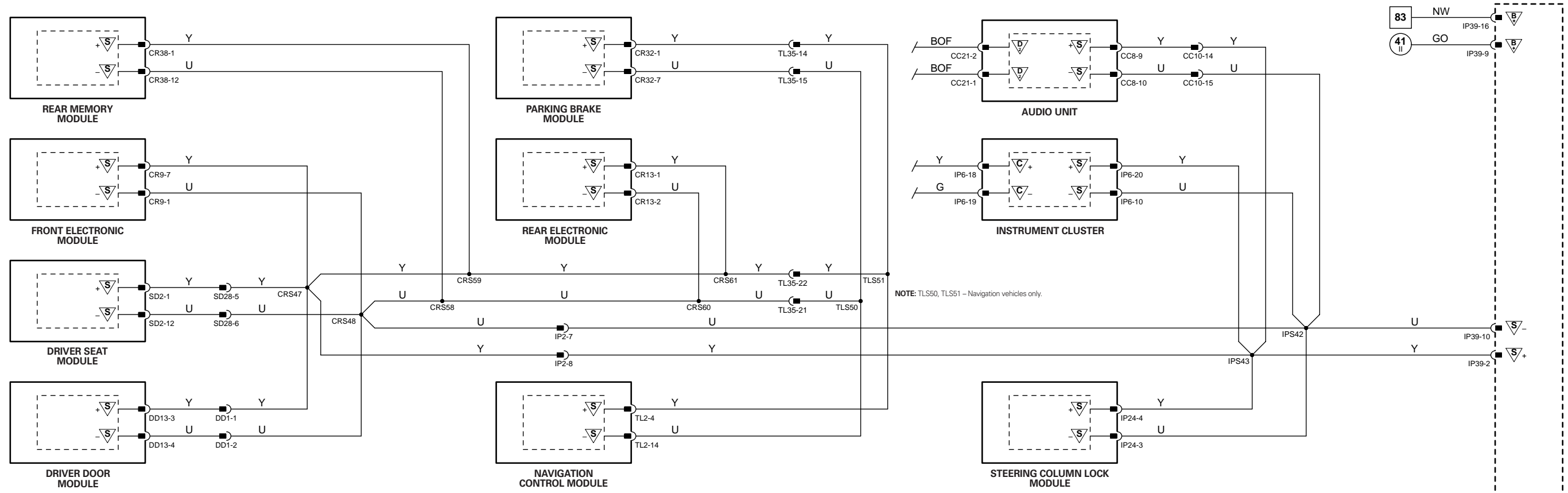
▽ Input
▽ Output

B Battery Voltage
P Power Ground

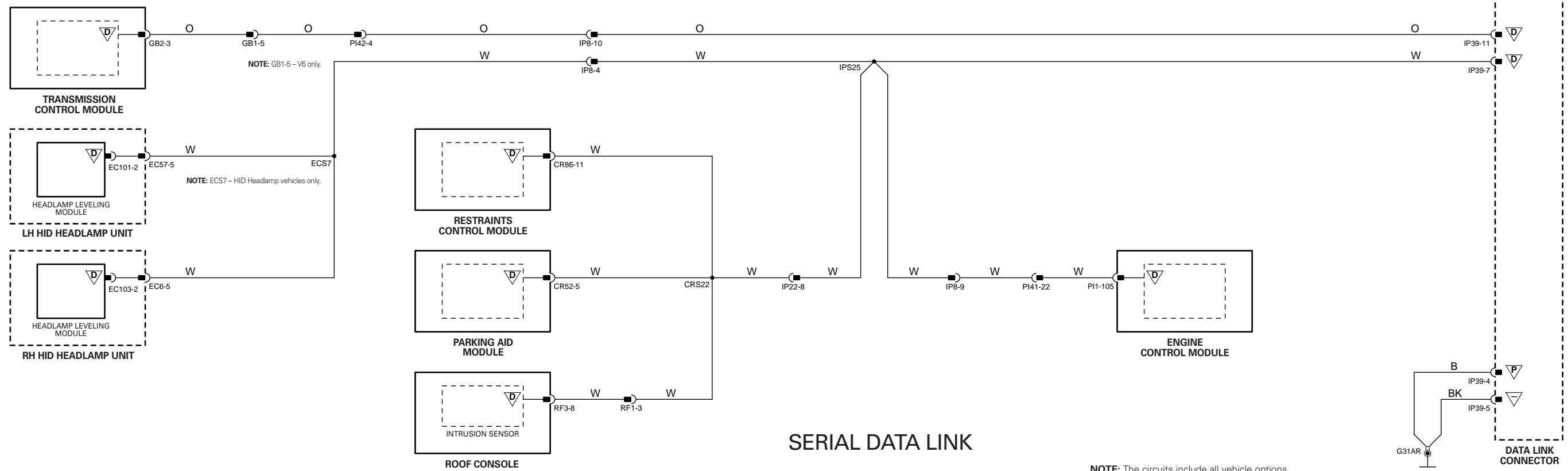
▽ Sensor/Signal Supply V
▽ Sensor/Signal Ground

▽ ACP
▽ SCP
▽ CAN
▽ Serial and Encoded Data

VARIANT: All Vehicles
VIN RANGE: All
DATE OF ISSUE: October 2002 (PROVISIONAL)

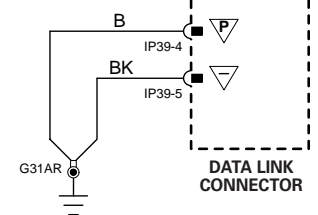


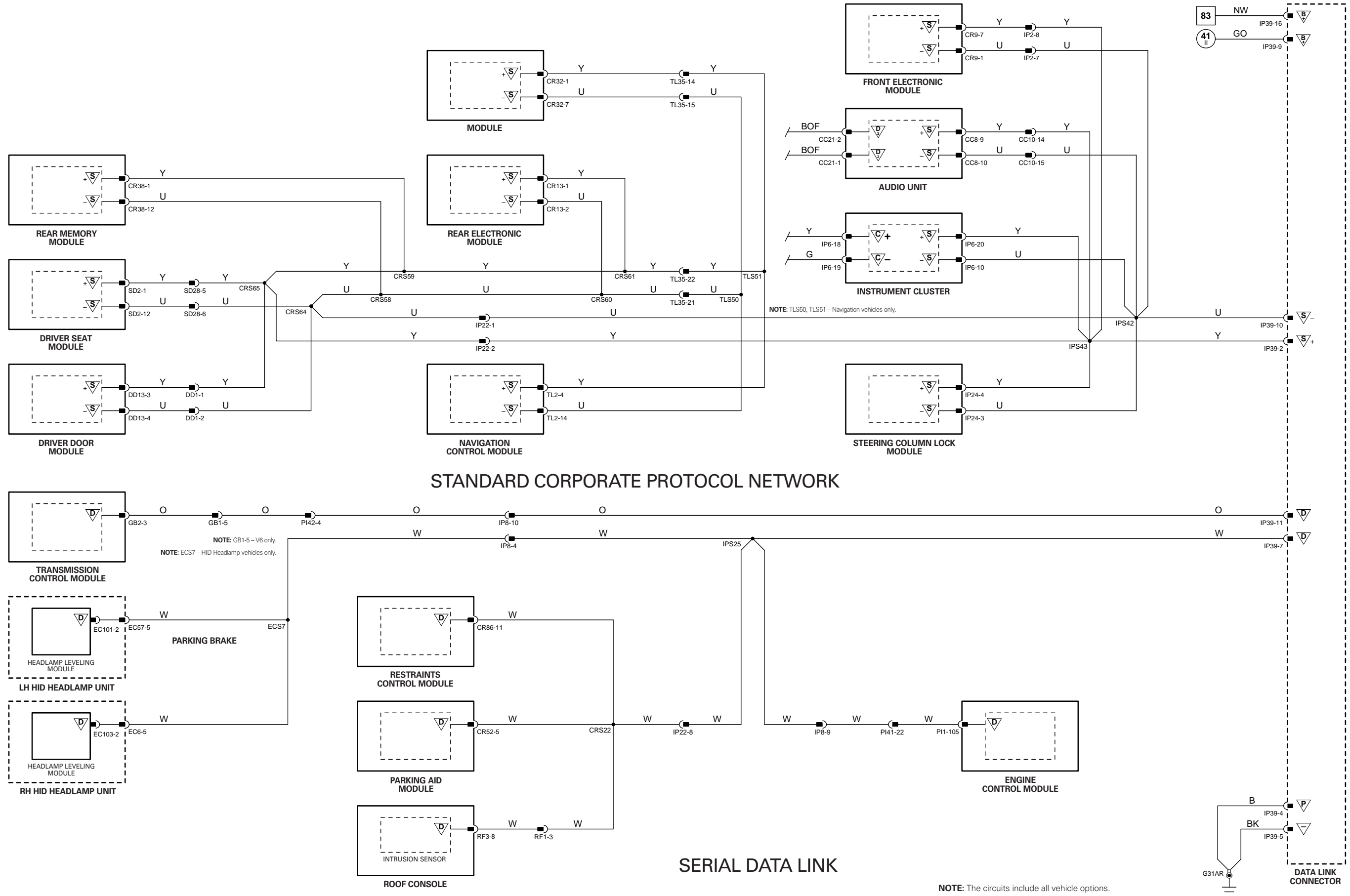
STANDARD CORPORATE PROTOCOL NETWORK



SERIAL DATA LINK

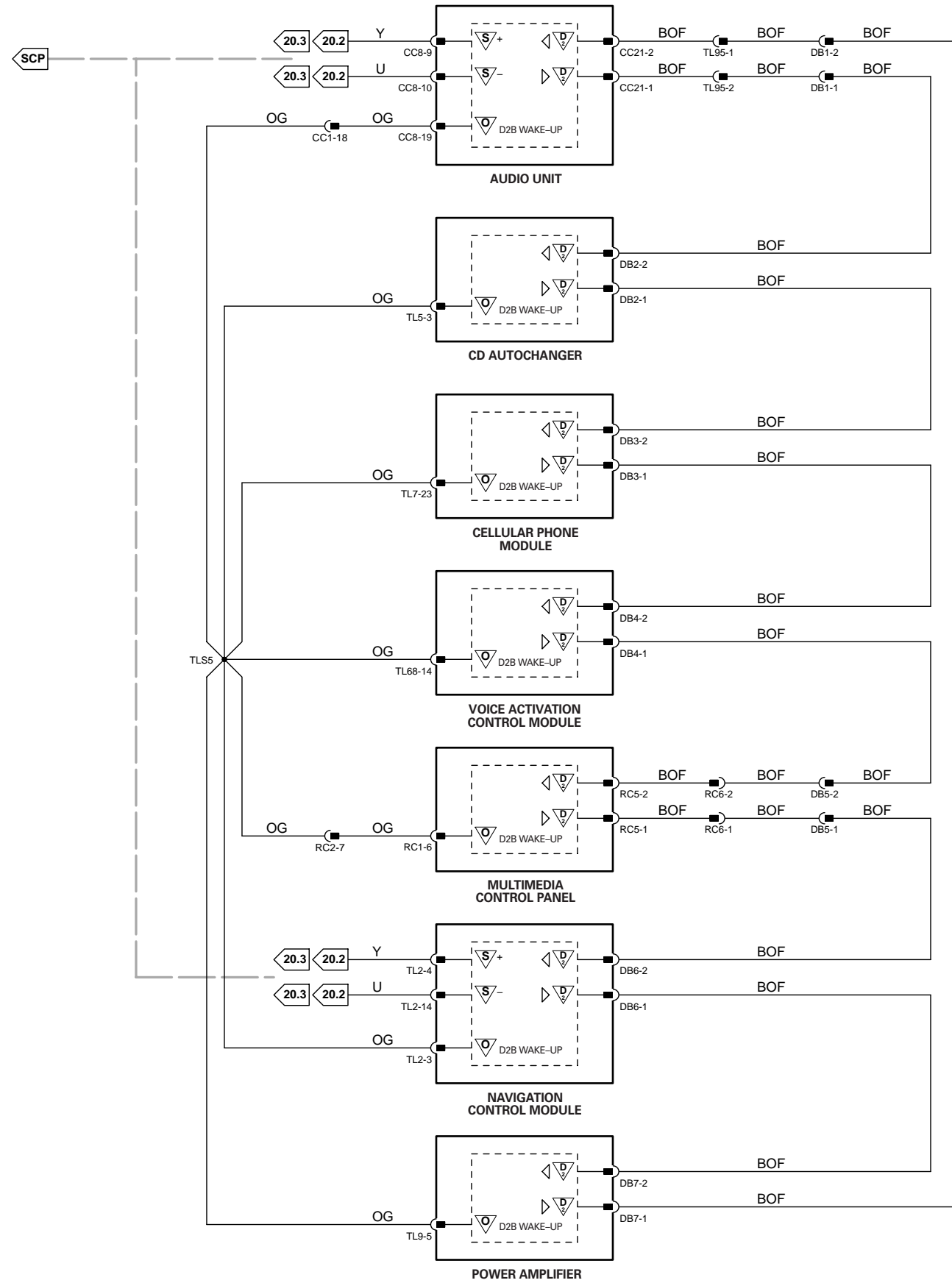
NOTE: The circuits include all vehicle options.





1 → 6	Fig. 01.1	65 → 96	Fig. 01.3	16 → 50	Fig. 01.5	77 → 103	Fig. 01.7	Input	B	Battery Voltage	S	Sensor/Signal Supply V	A	ACP	S	SCP
7 → 64	Fig. 01.2	1 → 15	Fig. 01.4	51 → 76	Fig. 01.6	104 → 141	Fig. 01.8	Output	P	Power Ground	G	Sensor/Signal Ground	C	CAN	D	Serial and Encoded Data

VARIANT: RHD Vehicles
 VIN RANGE: All
 DATE OF ISSUE: October 2002 (PROVISIONAL)



NOTES:

The 7-module D2B network shown depicts the greatest number of modules available. D2B networks containing less than 7 modules are always connected in the sequence shown from top to bottom.

- Audio Unit – Master Module
- 1 – CD Autochanger
 - 2 – Cellular Phone Module
 - 3 – Voice Activation Module
 - 4 – Multimedia Control Panel
 - 5 – Navigation Control Module
 - 6 – Power Amplifier

When modules are not fitted to the vehicle, the fiber optic cables and the connectors are deleted. Therefore, each network containing less than 7 modules has a unique fiber optic and "wake up" circuit.

For D2B network diagnostics via SCP – refer to Figs. 20.2 and 20.3.

1 → 6	Fig. 01.1	65 → 96	Fig. 01.3	16 → 50	Fig. 01.5	77 → 103	Fig. 01.7
7 → 64	Fig. 01.2	1 → 15	Fig. 01.4	51 → 76	Fig. 01.6	104 → 141	Fig. 01.8

	Input		Battery Voltage		Sensor/Signal Supply V		ACP		SCP
	Output		Power Ground		Sensor/Signal Ground		CAN		Serial and Encoded Data

VARIANT: All Vehicles
 VIN RANGE: All
 DATE OF ISSUE: October 2002 (PROVISIONAL)