

JAGUAR

# Parts Catalogue

---

## The New XJ Range

### From 2003 Model Year

Whilst every effort is made to ensure the accuracy of the particulars contained in this catalogue the Manufacturing companies will not, in any circumstances, be held liable for any inaccuracies or the consequences thereof.

© Jaguar Cars Ltd 2005

All rights reserved. No part of this publication may be reproduced, stored in a retrieval system or transmitted in any form, whether by electronic, mechanical, photocopying, recording or other means without the permission of Jaguar Cars limited.

Replacement parts that are not of genuine jaguar supply cannot be relied upon to be of correct specification, material, and workmanship and therefore Jaguar cannot be expected to extend warranty to vehicles which have been fitted with parts not supplied by them.

Jaguar reserves the right to make changes or improvements in the construction or specification of their products at any time.

IN ORDER TO ENSURE PROMPT AND CORRECT EXECUTION OF YOUR ORDERS, IT IS ESSENTIAL TO QUOTE:

1. The relative unit number, together with prefixes, suffixes and specification references where applicable.  
e.g. Axle, Body, Vehicle Identification, Engine, Gearbox Numbers etc.
2. The Part Number and description (prefix and suffix letters to part numbers must always be quoted).
3. Always state the colour of carpets, painted items, trim items etc., using the colour code from the Vehicle Identification Number (VIN) plate and the colour combination key to identify the colour name.
4. The quantity required, bearing in mind that the quantities shown are those used in the application actually illustrated. Sometimes only minimum package quantities are available. These packs may well contain more parts than are required for a single job; for details of packaged quantities, see the Service Parts List.

THE LISTING OR ILLUSTRATING OF AN ITEM DOES NOT  
GUARANTEE ITS AVAILABILITY

# Geographical Groupings

---

Where appropriate, applications for individual markets are displayed on the parts list section of the EPC window if there is more than one choice. If there is only one choice it is displayed in the “Attributes/Change Points” text box.

For convenience markets are sometimes categorised in to geographical groups.

**Definitions of the geographical groups used in this catalogue are as follows:**

Rough Road Markets	Argentina, Australia, Bahrain, Brazil, Chile, Dominican Republic, Dubai, Egypt, Estonia, Israel, Jordan, Kuwait, Lebanon, Malaysia, Mexico, Morocco, New Zealand, Oman, Panama, Philippines, Russia, Saudi, Arabia, South Africa, Sri Lanka, Syria, Thailand
--------------------	--

# Geographical Groupings

---

- European Markets UK, Ireland, Malta, Cyprus, Germany, Poland, Austria, Italy, France, Spain, Portugal, Belgium, Luxembourg, Netherlands, Switzerland, Sweden, Denmark, Finland, Norway, Latvia, Lithuania, Estonia, Russia, Czech Republic, Hungary, Slovenia, Croatia, Slovakia, Greece, Bulgaria, Romania, Serbia, Turkey, Israel
- Hot Markets Taiwan, Singapore, Saudi Arabia, Indonesia, Philippines, Panama, Malaysia, Mexico, Egypt, Dominican Republic, Lebanon, Kuwait, Jordan, Hong Kong, Bahrain, Dubai, Turkey, Argentina, Oman, Abu Dhabi, Brazil, Brunei, Chile, Cyprus, Greece, Guatemala, Israel, Korea, Malta, Morocco, Qatar, Syria, Tenerife, Uruguay, Vietnam

# Standard Abbreviations

---

Standard abbreviations are used in this parts list as follows.

(B)	Body number	LHD	Left hand drive
(E)	Engine number	LWB	Long wheel base
(G)	Gearbox number	m	Metres
(V)	Vehicle Identification Number (VIN)	MAP	Manifold air pressure
c/w	Complete with	MHz	Megahertz
CD	Compact Disc	mph	Miles per hour
CM	Centimetre	NLA	No longer available from Jaguar Cars Ltd
dia	Diameter	NSP	Non serviced part
DVD	Digital Versatile DISC	NSS	Not supplied seperately
EATC	Electronic automatic temperature control	o/d	Outside diameter
EGR	Exhaust gas re-circulation	PCB	Printed circuit board
EPB	Electronic park brake	RH	Right hand
g	Gram	RHD	Right hand drive
GDO	Garage door opener	RTV	Room temperature vulcanising
IVD	Interactive vehicle dynamics	SWB	Short wheel base
HC	High compression	v	Volts
HID	High intensity discharge	VDP	Vanden Plas
i/d	Inside diameter	VICS	Vehicle Information Communication System
kg	Kilogram	w	Watt
kph	Kilometres per hour		
LC	Low compression		
LH	Left hand		
		<b>Part Number Suffix Letters:</b>	
		E	Exchange
		N	New

# DVD Regions

---

## Region 1

Canada, U.S. and its Territories, Puerto Rico, American Samoa, U.S. Virgin Islands, Guam, Palau, Micronesia, Mariana Islands, Marshall Islands

## Region 2

Albania, Andorra, Austria, Bahrain, Belgium, Bosnia and Herzegovina, Bulgaria, Croatia, Czech Republic, Denmark, Egypt, Finland, France, Germany, Gibraltar, Greece, Greenland, Hungary, Iceland, Iran, Iraq, Ireland, Israel, Italy, Japan, Jordan, Kuwait, Lebanon, Liechtenstein, Luxembourg, Macedonia, Malta, Moldova, Monaco, Netherlands, Norway, Oman, Poland, Portugal, Qatar, Romania, San Marino, Saudi Arabia, Slovakia, Slovenia, South Africa, Spain, Sweden, Switzerland, Syria, United Arab Emirates, United Kingdom, Vatican City, Yemen, Yugoslavia.

## Region 3

Cambodia, Hong Kong, Indonesia, Laos, Malaysia, Myanmar, Philippines, South Korea, Taiwan, Thailand, Vietnam

## Region 4

Antigua and Barbuda, Argentina, Aruba, Australia, Bahamas, Barbados, Belize, Bolivia, Brazil, Chile, Colombia, Costa Rica, Cuba, Dominica, Dominican Republic, Ecuador, El Salvador, Falkland Islands, French Guiana, Grenada, Guatemala, Guyana, Haiti, Honduras, Jamaica, Mexico, New Guinea, New Zealand, Nicaragua, Panama, Paraguay, Peru, Suriname, Trinidad and Tobago, Uruguay, Venezuela

## Region 5

Afghanistan, Algeria, Angola, Bangladesh, Belarus, Benin, Botswana, Burkina Faso, Burundi, Cameroon, Cape Verde, Central African Republic, Chad, Comoros, Congo, Djibouti, Equatorial Guinea, Eritrea, Estonia, Ethiopia, Gabon, Gambia, Georgia, Ghana, Guinea, Guinea-Bissau, India, Ivory Coast, Kazakhstan, Kenya, Latvia, Lesotho, Liberia, Libya, Lithuania, Madagascar, Malawi, Mali, Mauritania, Mauritius, Mongolia, Morocco, Mozambique, Namibia, Niger, Nigeria, North Korea, Pakistan, Russia, Rwanda, Sao Tome and Principe, Senegal, Seychelles, Sierra Leone, Somalia, Sri Lanka, St. Helena, Sudan, Tanzania, Togo, Tunisia, Turkmenistan, Uganda, Ukraine, Uzbekistan, Zambia, Zimbabwe

## Region 6

China

# LOCKING FREQUENCY REGIONS

---

- **Region 1 (315mhz Low)**

Japan, South Korea

**Region 2 (315mhz High)**

Argentina, Aruba, Bahamas, Barbados, Bolivia, Brazil, Canada, Cayman, Chile, Colombia, Costa Rica, Cuba, Dominica, Ecuador, Egypt, Ethiopia, Ghana, Grenada, Guadeloupe, Guatemala, Haiti, Honduras, Hong Kong, Indonesia, Jamaica, Japan, Macau, Malaysia, Mexico, Nicaragua, Panama, Papua New Guinea, Paraguay, Peru, Philippines, Salvador, Singapore, South Korea, St. Kitts/Nevis, St. Lucia, Taiwan, Thailand, Trinidad & Tobago, Uganda, Uruguay, USA, Venezuela, Vietnam, Zimbabwe

**Region 3 (434mhz)**

Albania, Algeria, Andorra, Armenia, Australia, Austria, Azerbaijan, Bahrain, Belgium, Bosnia Herzegovina, Brunei, Bulgaria, China, Croatia, Cyprus, Czech Republic, Denmark, Estonia, Finland, France, Germany, Gibraltar, Greece, Hungary, Iceland, Iran, Ireland, Israel, Italy, Ivroy Coast, Jordan, Kazakhstan, Kenya, Kuwait, Kyrgyzstan, Latvia, Lebanon, Lithuania, Macedonia, Madagascar, Malta, Martinique, Morocco, Mozambique, Namibia, Netherlands, New Caledonia, New Zealand, Nigeria, Norway, Oman, Poland, Portugal, Qatar, Romania, Russia/Belarus, Saudi Arabia, Serbia-Montenegro, Slovakia, Slovenia, South Africa, Spain, St. Vincent & Grenadines, Sweden, Swaziland, Syria, Tahiti, Tunisia, Turkey, Turkmenistan, UK, Ukraine, United Arab Emirates, Uzbekistan

# Vehicle Identification Numbering System (Global)

The Vehicle Identification Number comprises a series of letters and numbers representing in code such information as Marque, Model Range, Class Engine Type etc. The codes for the New XJ Range are as follows:

## **PREFIX 1 to 3**

### **World manufacturing Identifier**

SAJ = Jaguar

## **PREFIX 4**

### **Market & Airbag Spec**

A = Rest of World

B = Canada

D = USA

E = USA (1)

F = Canada (1)

J = USA (2)

K = Japan (1)

P = Mexico (1)

R = Mexico (2)

W = USA (3)

Y = Mexico (3)

## **PREFIX 5**

### **Transmission & Steering**

A = Automatic LHS

C = Automatic RHS

## **PREFIX 6 & 7**

### **Body Code**

71 = 4-door 5 seat - XJ

72 = 4-door 5 seat - SE

73 = 4-door 5 seat - XJR/Sport

74 = 4 door 5 seat - VDP/SV8

75 = 4 door 4 seat - XJ

76 = 4-door 4 seat - SE

77 = 4-door 4 seat - XJR/Sport

78 = 4 door 4 seat - VDP/SV8

79 = LWB 4-door 5 seat - XJ

80 = LWB 4-door 5 seat - SE

81 = LWB 4-door 5 seat - XJR/Sport

82 = LWB 4 door 5 seat - VDP/SV8

83 = LWB 4 door 4 seat - XJ

84 = LWB 4-door 4 seat - SE

85 = LWB 4-door 4 seat - XJR/Sport

86 = LWB 4 door 4 seat - VDP/SV8

87 = 4-door 5 seat - Sovereign

88 = 4-door 4 seat - Sovereign

89 = LWB 4-door 5 seat - Sovereign

90 = LWB 4-door 4 seat - Sovereign

92 = 4-door 5 seat - Portfolio

93 = 4-door 4 seat - Portfolio

94 = LWB 4-door 5 seat - Portfolio

95 = LWB 4-door 4 seat - Portfolio

## **PREFIX 8**

### **Emission**

B = ECS 2

C = ECS 3

D = ECS 4

E = ECS 5

F = ECS 6

G = ECS 7

M = ECS 12

P = ECS 14

R = ECS 15

T = ECS 17

U = ECS 18

W = ECS 20

X = ECS 21

Y = ECS 22

1 = ECS 23

2 = ECS 24

## **PREFIX 9**

### **Check Digit ?**

## **PREFIX 10**

### **Model or Year Change**

3 = 2003 Model Year

4 = 2004 Model Year

5 = 2005 Model Year

6 = 2006 Model Year

7 = 2007 Model Year

8 = 2008 Model Year

9 = 2009 Model Year

A = 2010 Model Year

## **PREFIX 11**

### **Assembly Plant**

R = XJ 3.5 AJ33

S = XJ 4.2 AJ33

T = XJ 4.2 AJ33S/C

V = XJ 3.0 AJV6

7 = XJ 2.7V6 Diesel



# Model Year VIN Introductions

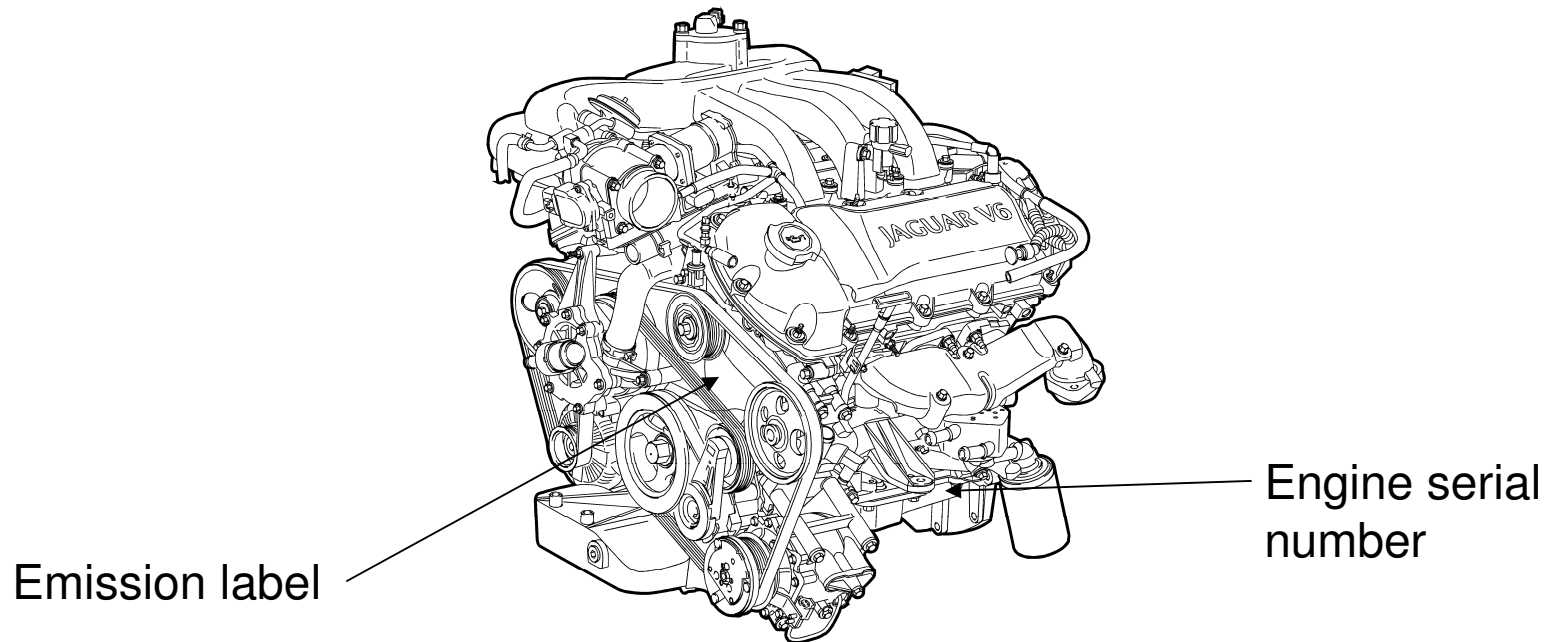
---

- 2003MY (2004MY ROW) – G00442
- 2004MY (UK/Europe) – G12878
- 2005MY (LWB) – G34528
- 2006MY – G49701
- 2006.25MY (Diesel) – H00332
- 2006.25MY (Daimler) – H01748
- 2006.5MY – H06679
- 2007MY – H11537
- 2008MY – H18680
- 2009MY – H28963
- 2010MY – H31757

# V6 Petrol Engine Serial Numbers

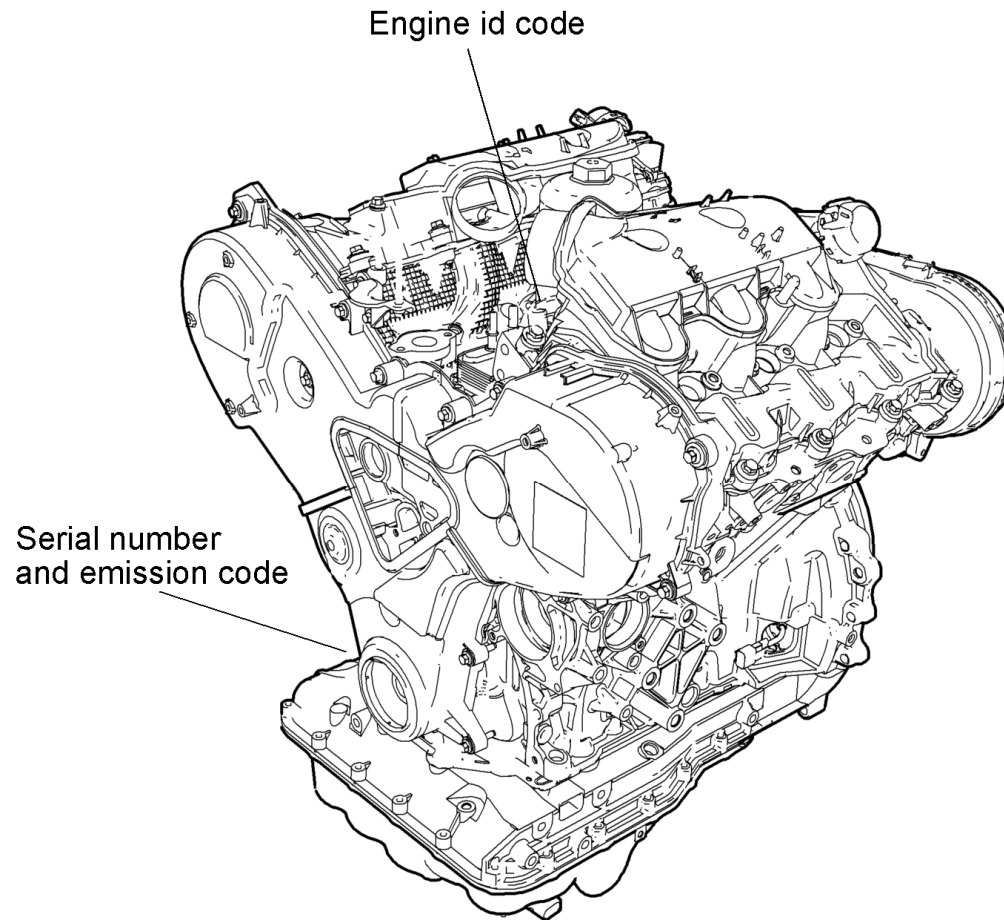
---

The V6 engine serial number is 9 digits long. Please note that only the first six digits are required for identification.



# V6 Diesel Engine Serial Numbers

---

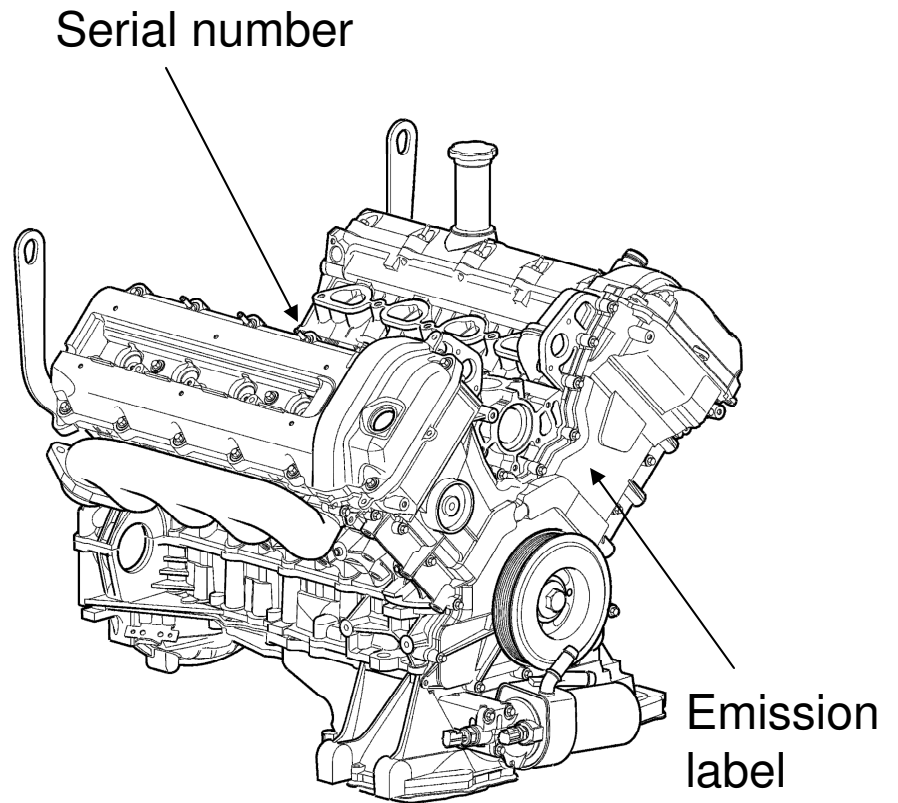
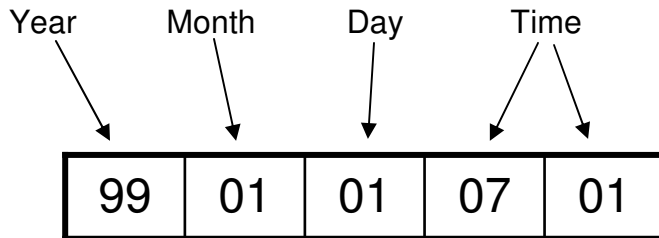


# V8 Engine Serial Numbers

---

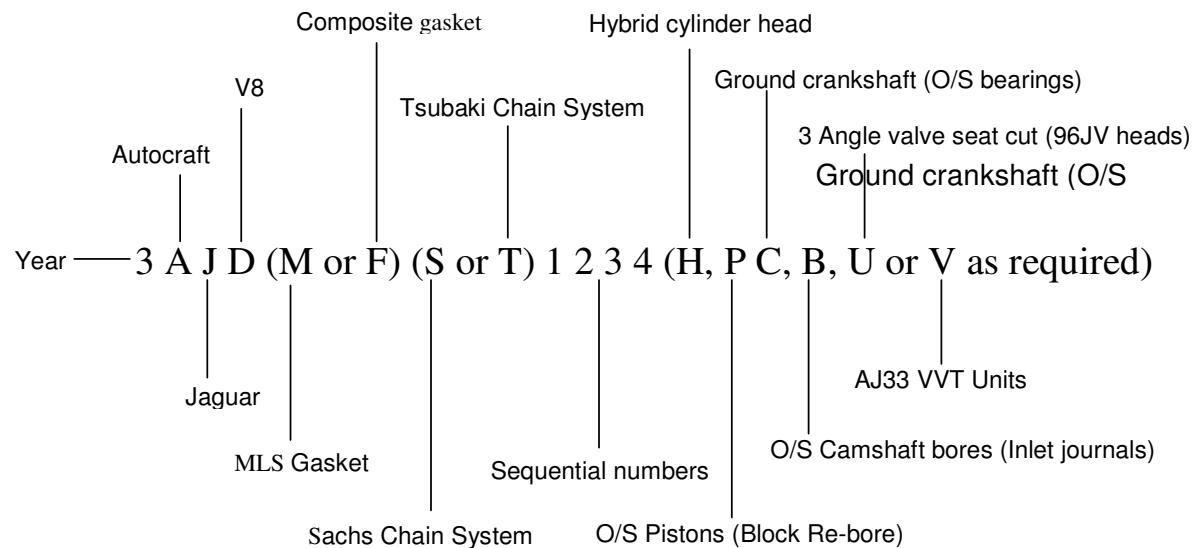
The production fit V8 engine serial number is 10 digits long and denotes production date and time.

Typical serial number example:



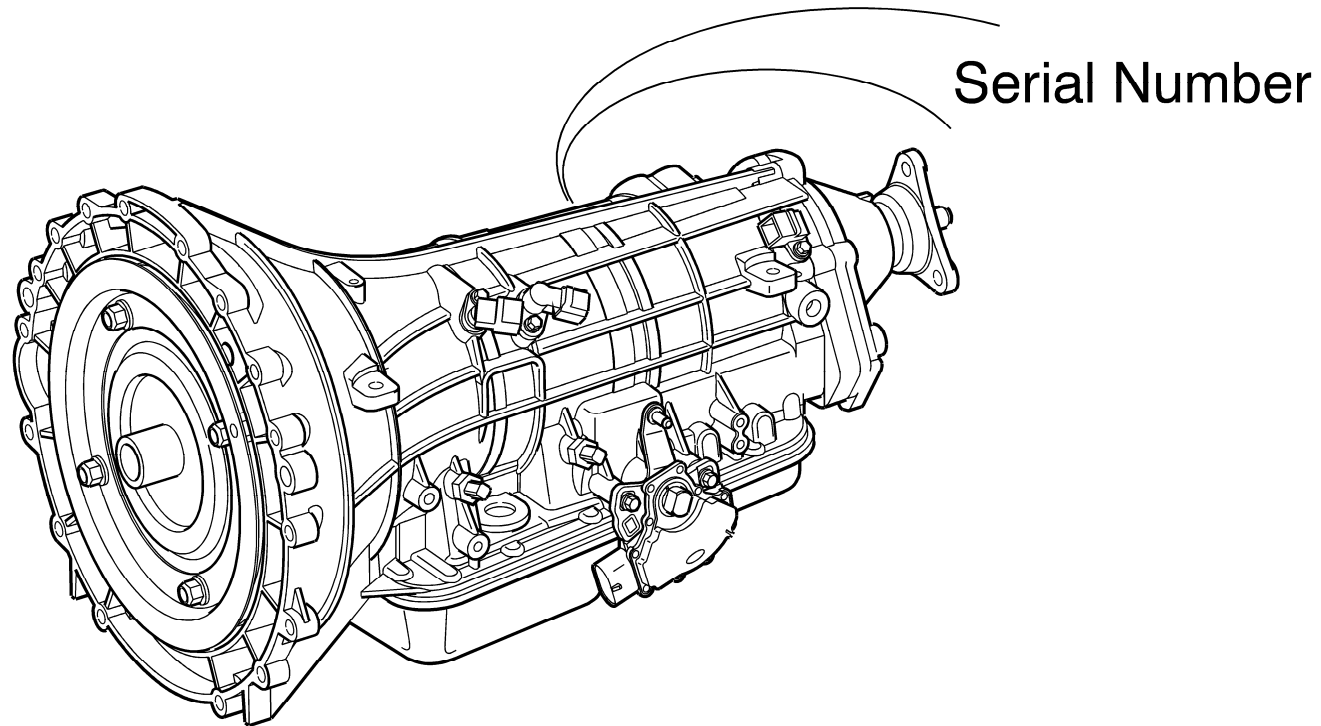
# Re-manufactured Engine Serial Numbers

Head gaskets and chain systems are always fitted, and therefore the ID letters will always be part of the stamping. Care must be taken with the H, P, C, B, U and V options as these may not always be used. In some cases none of the letters will be required.



# Gearbox Serial Number

---



# Body Colour Codes

Colour Name	JBC No	Suffix
Adriatic	1932	JJM
British Racing Green	1753	HGD
Carnival	1811	CGG
Coronada Blue	2020	EDF
Ebony	1807	PEC
Emerald Fire	2074	HHP
Indigo	2003	JJX
Jaguar Racing Green	1957	HGZ
Jupiter Red	2019	JJS
Liquid silver	2029	MEE
Midnight	1959	PEF
Pacific	1905	JHM
Phoenix	1924	CGL

Colour Name	JBC No	Suffix
Platinum	1916	MDZ
Quartz	1926	LHK
Radiance	1975	CHB
Salsa	1964	CHA
Seafrost	1860	MDV
Slate	1943	LHL
Topaz	1820	SEC
Ultraviolet	1974	JJF
White Onyx	1942	NEG
Winter Gold	2002	GDM
Zircon	1927	JHV
Lunar Grey	2028	LJZ

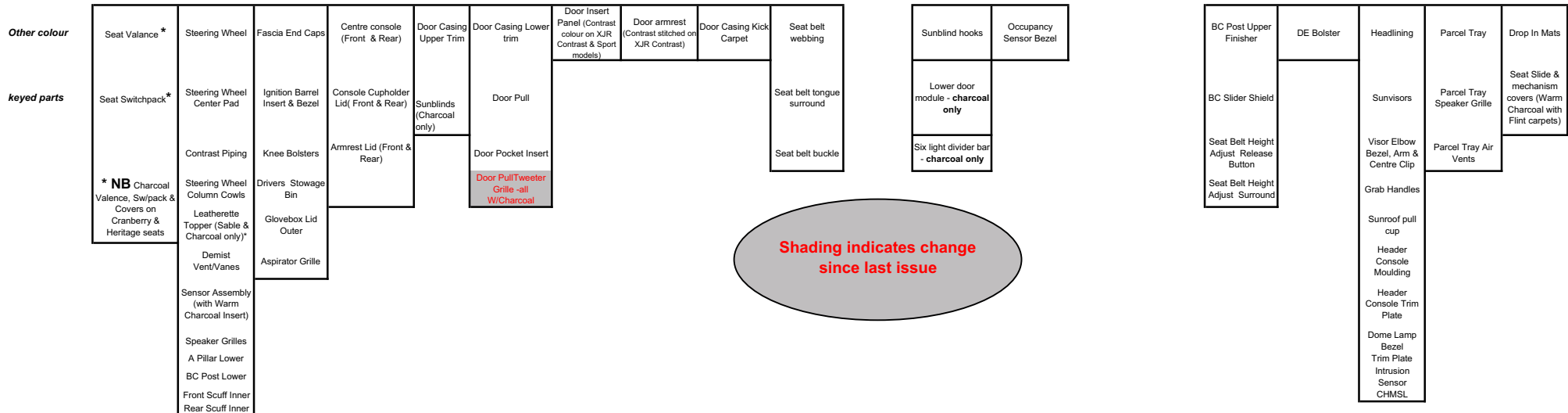
X350 2003 MY  
INTERIOR COLOUR TRIM MATRIX

GPLUS C2C-EJ-10019

MODELS	SEAT (Main colour)	FACIA		CONSOLE	DOOR CASING					OTHER INTERIOR TRIM											
		Upper (Contrast colour)	Lower		Top roll	Door casing	Pad insert	Armrest	Kick Carpet	Seatbelts	Flange Finisher	Upper Door Garnish	A post Upper	A Post Lower	BC Post Lower	BC Post Upper	DE Post Upper	Headlining	Parcel Shelf & Rear Sunblind	Carpets	
CLASSIC Interiors for E & SE Super V8 VDP XJR	Charcoal	Charcoal	Charcoal	Charcoal	Charcoal	Charcoal	Charcoal	Charcoal	Charcoal	Flint	Charcoal	Charcoal	Charcoal	Nimbus Grey	Charcoal	Charcoal	Nimbus Grey	Nimbus Grey	Nimbus Grey	Charcoal	Flint
	Ivory	Sable	Ivory	Ivory	Sable	Ivory	Ivory	Ivory	Ivory	Sable	Sable	Sable	Charcoal	Oatmeal	Sable	Sable	Oatmeal	Oatmeal	Oatmeal	Ivory	Sable
	Ivory	Charcoal	Ivory	Ivory	Charcoal	Ivory	Ivory	Ivory	Ivory	Flint	Charcoal	Charcoal	Charcoal	Oatmeal	Charcoal	Charcoal	Oatmeal	Oatmeal	Oatmeal	Ivory	Flint
	Dove	Charcoal	Dove	Dove	Charcoal	Dove	Dove	Dove	Dove	Flint	Charcoal	Charcoal	Charcoal	Nimbus Grey	Charcoal	Charcoal	Nimbus Grey	Nimbus Grey	Nimbus Grey	Dove	Flint
	Dove	Granite	Dove	Dove	Granite	Dove	Dove	Dove	Dove	Granite	Granite	Granite	Charcoal	Nimbus Grey	Granite	Granite	Nimbus Grey	Nimbus Grey	Nimbus Grey	Dove	Granite
	Sand	Sable	Sand	Sand	Sable	Sand	Sand	Sand	Sand	Sable	Sable	Sable	Charcoal	Oatmeal	Sable	Sable	Oatmeal	Oatmeal	Oatmeal	Sand	Sable
SPORT Interiors	Charcoal	Charcoal	Charcoal	Charcoal	Charcoal	Charcoal	Charcoal	Charcoal	Charcoal	Flint	Charcoal	Charcoal	Charcoal	Nimbus Grey	Charcoal	Charcoal	Nimbus Grey	Nimbus Grey	Nimbus Grey	Charcoal	Flint
	Ivory	Charcoal	Ivory	Ivory	Charcoal	Ivory	Charcoal	Ivory	Ivory	Flint	Charcoal	Charcoal	Charcoal	Oatmeal	Charcoal	Charcoal	Oatmeal	Oatmeal	Oatmeal	Ivory	Flint
	Dove	Charcoal	Dove	Dove	Charcoal	Dove	Charcoal	Dove	Dove	Flint	Charcoal	Charcoal	Charcoal	Nimbus Grey	Charcoal	Charcoal	Nimbus Grey	Nimbus Grey	Nimbus Grey	Dove	Flint
	Cranberry	Charcoal	Charcoal	Charcoal	Charcoal	Charcoal	Cranberry	Charcoal	Charcoal	Flint	Charcoal	Charcoal	Charcoal	Nimbus Grey	Charcoal	Charcoal	Nimbus Grey	Nimbus Grey	Nimbus Grey	Charcoal	Flint
R CONTRAST Interiors CS = Contrast Stitched	Charcoal/ Cranberry CS	Charcoal	Charcoal	Charcoal	Charcoal	Charcoal	Charcoal	Charcoal / Cranberry CS	Flint	Charcoal	Charcoal	Charcoal	Nimbus Grey	Charcoal	Charcoal	Nimbus Grey	Nimbus Grey	Nimbus Grey	Charcoal	Flint	
	Ivory / Charcoal/ Charcoal CS	Charcoal	Ivory	Ivory	Charcoal	Ivory	Charcoal	Ivory/ Charcoal CS	Flint	Charcoal	Charcoal	Charcoal	Oatmeal	Charcoal	Charcoal	Oatmeal	Oatmeal	Oatmeal	Ivory	Flint	
	Charcoal / HeritageTan/ Tan CS	Charcoal	Charcoal	Charcoal	Charcoal	Charcoal	Heritage	Charcoal/ Heritage CS	Flint	Charcoal	Charcoal	Charcoal	Oatmeal	Charcoal	Charcoal	Oatmeal	Oatmeal	Oatmeal	Charcoal	Flint	
	Charcoal / Cranberry/ Cranberry CS	Charcoal	Charcoal	Charcoal	Charcoal	Charcoal	Cranberry	Charcoal/ Cranberry CS	Flint	Charcoal	Charcoal	Charcoal	Nimbus Grey	Charcoal	Charcoal	Nimbus Grey	Nimbus Grey	Nimbus Grey	Charcoal	Flint	

NOTES:

1. Sport seats have perforated leather centre panels
2. Sport seat also available in Sand & Dove as a stand alone option when fitted in a Classic style interior.
3. R Contrast seats have interlock grain centre panels, door casing insert also interlock grain
4. R Contrast - Contrast Stitching on seats and armrests to match Contrast Panel / Door insert panel colour (ALL Charcoal interior = Cranberry CS)
5. R Classic interior - monotone seats, plain leather, embossed R logo, standard grain door insert panel
5. Leatherette fascia top not available in Granite



Shading indicates change since last issue



X350 2005 MY  
INTERIOR COLOUR TRIM MATRIX

GPLUS PDL C2C-EJ-10020

MODELS	SEAT (Main colour)	FACIA		CONSOLE	DOOR CASING					OTHER INTERIOR TRIM											
		Upper (Contrast colour)	Lower		Top roll	Door casing	Pad insert	Armrest	Kick Carpet	Seatbelts	Flange Finisher	Upper Door Garnish	A post Upper	A Post Lower	BC Post Lower	BC Post Upper	DE Post Upper	Headlining	Parcel Shelf & Rear Sunblind	Carpets	
ALL MODELS : ALL MARKETS	Charcoal	Charcoal	Charcoal	Charcoal	Charcoal	Charcoal	Charcoal	Charcoal	Charcoal	Flint	Charcoal	Charcoal	Charcoal	Dove	Charcoal	Charcoal	Dove	Dove	Dove	Charcoal	Dove or Flint
	Ivory	Mocha	Ivory	Ivory	Mocha	Ivory	Ivory	Ivory	Ivory	Mocha	Mocha	Mocha	Charcoal	Ivory	Mocha	Mocha	Ivory	Ivory	Ivory	Ivory	Mocha
	Ivory	Charcoal	Ivory	Ivory	Charcoal	Ivory	Ivory	Ivory	Ivory	Flint	Charcoal	Charcoal	Charcoal	Ivory	Charcoal	Charcoal	Ivory	Ivory	Ivory	Ivory	Flint
	Dove	Charcoal	Dove	Dove	Charcoal	Dove	Dove	Dove	Dove	Flint	Charcoal	Charcoal	Charcoal	Dove	Charcoal	Charcoal	Dove	Dove	Dove	Dove	Dove or Flint
	Dove	Smoke Grey	Dove	Dove	Smoke Grey	Dove	Dove	Dove	Dove	Smoke Grey	Smoke Grey	Charcoal	Charcoal	Dove	Smoke Grey	Smoke Grey	Dove	Dove	Dove	Dove	Dove or Flint
	Champagne	Mocha	Champagne	Champagne	Mocha	Champagne	Champagne	Champagne	Champagne	Mocha	Mocha	Mocha	Charcoal	Champagne	Mocha	Mocha	Champagne	Champagne	Champagne	Champagne	Mocha
	Rioja	Charcoal	Charcoal	Charcoal	Charcoal	Charcoal	Charcoal	Rioja	Charcoal	Flint	Charcoal	Charcoal	Charcoal	Dove	Charcoal	Charcoal	Dove	Dove	Dove	Dove	Flint
Evergreen	Charcoal	Charcoal	Charcoal	Charcoal	Charcoal	Charcoal	Evergreen	Evergreen	Flint	Charcoal	Charcoal	Charcoal	Champagne	Charcoal	Charcoal	Charcoal	Champagne	Champagne	Champagne	Charcoal	Flint

NOTES:  
5. Leatherette fascia top not available in Smoke Grey

