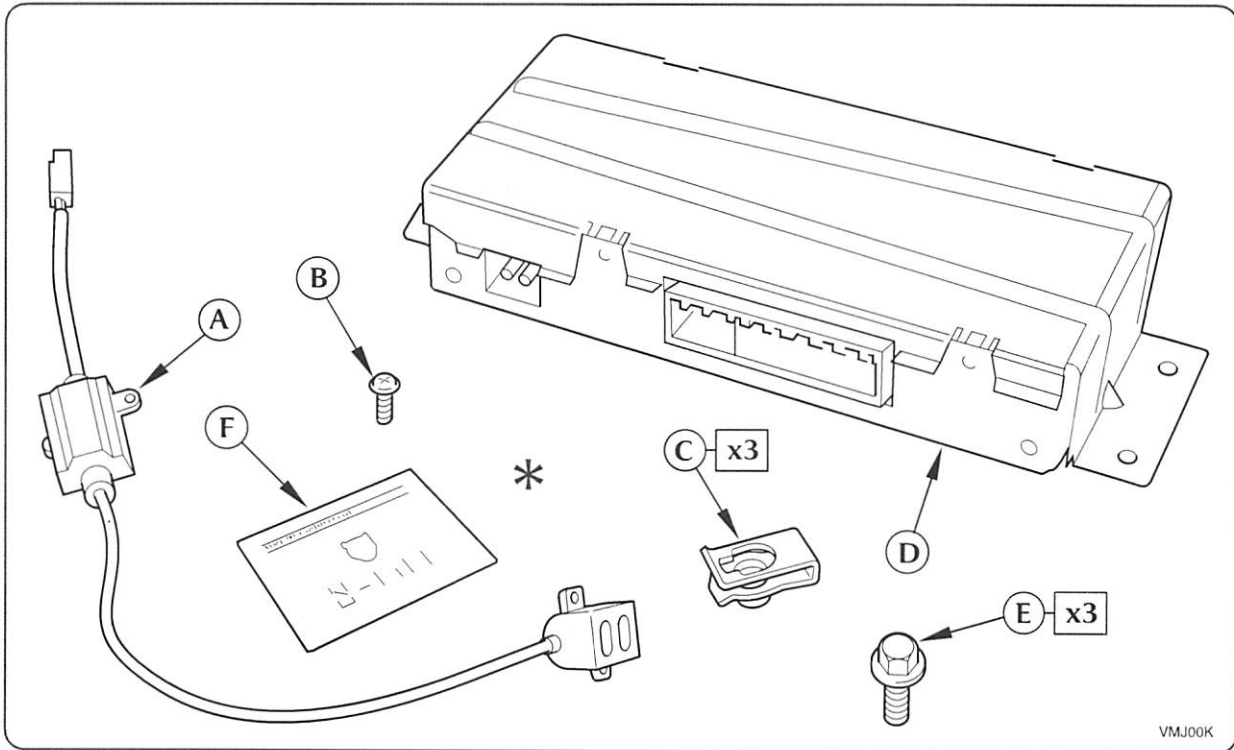


The XJ

Voice Activated Control



VMJ00K

Parts required

- A. Microphone
- B. Screw
- C. Spire clips
- D. Voice module
- E. Bolts
- F. Voice activation handbook
- * D²b lead

Note:

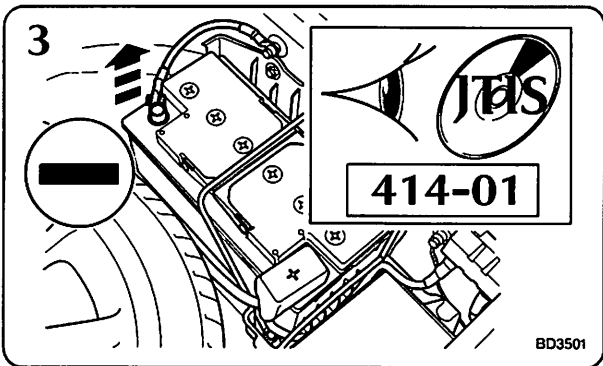
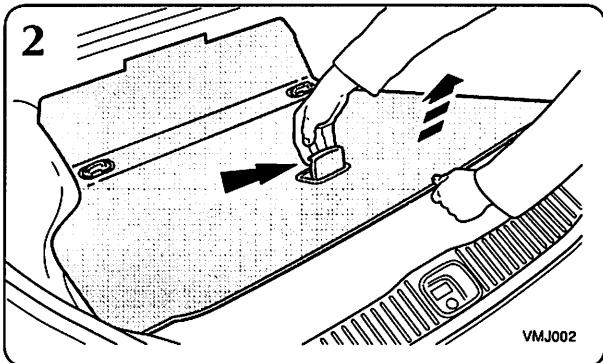
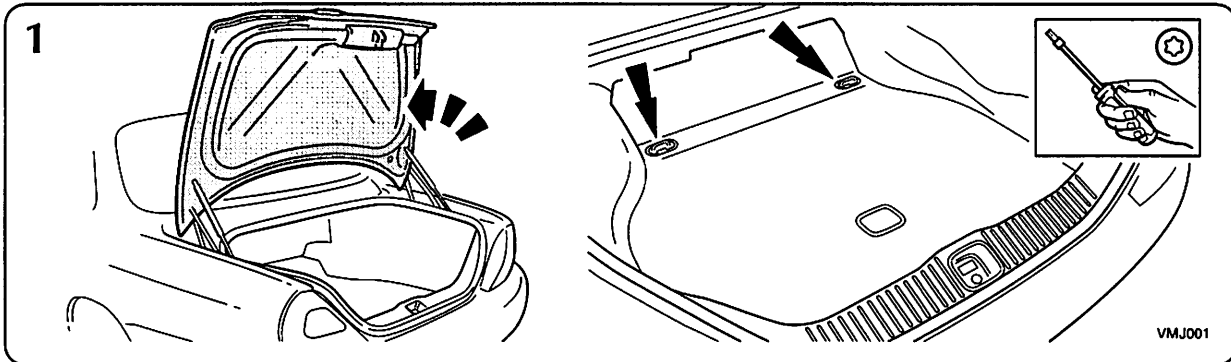
- * The D²b lead should also be supplied.
Ensure you have the correct lead before commencing work.

Note:

Parts required vary dependant on vehicle specification, refer to accessory brochure for details.

The XJ

Voice Activated Control



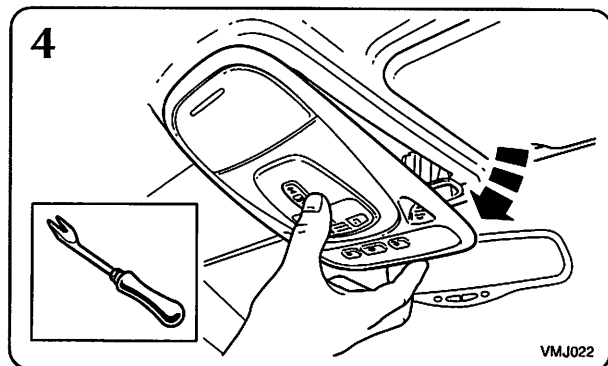
Notes:

- 3. Refer to J.T.I.S / Drivers Handbook to ensure correct operations are carried out, relevant to battery disconnect and reconnect.



Notes:

- 4-13. Ignore operations 4-13 if the vehicle already has Telephone fitted.

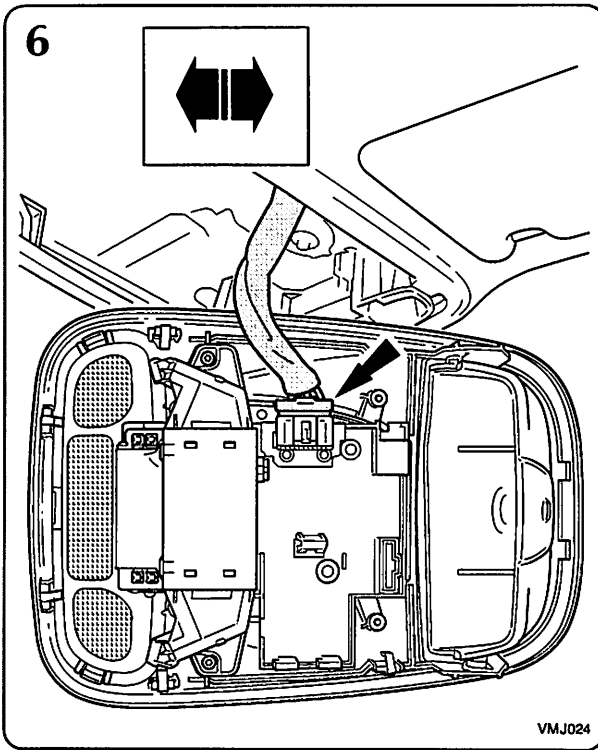
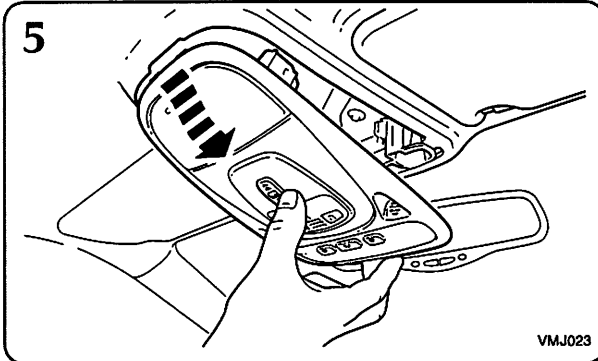


MY 2003 ➔

Part No. C2C 15665

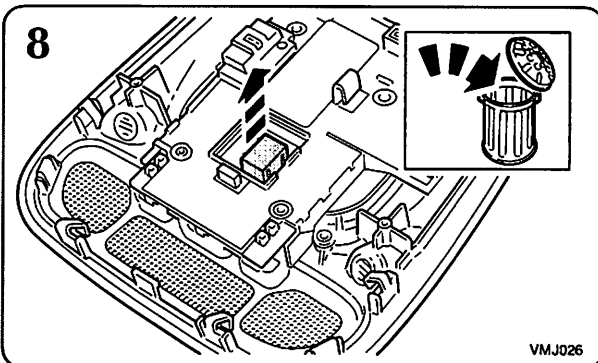
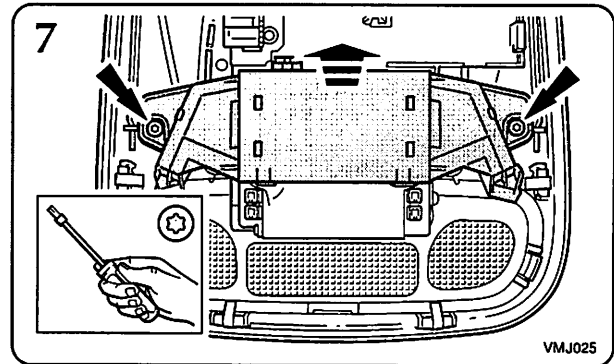
The XJ

Voice Activated Control



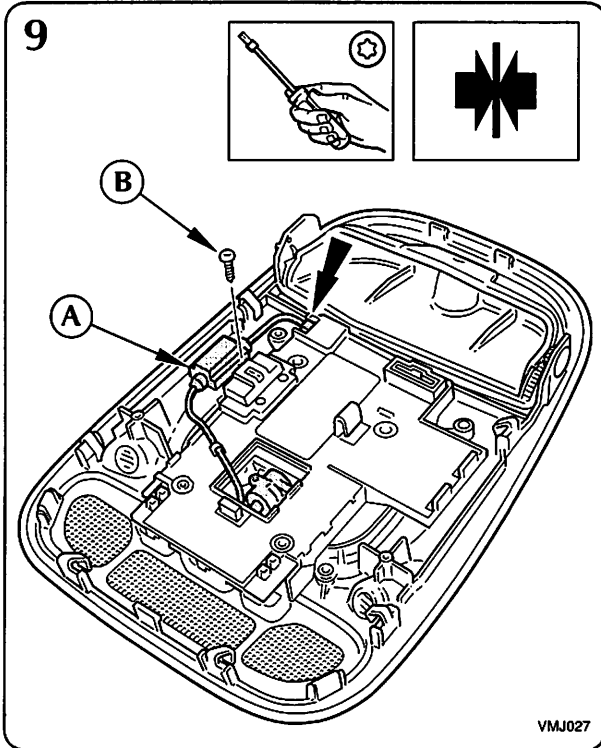
Notes:

7. If fitted.



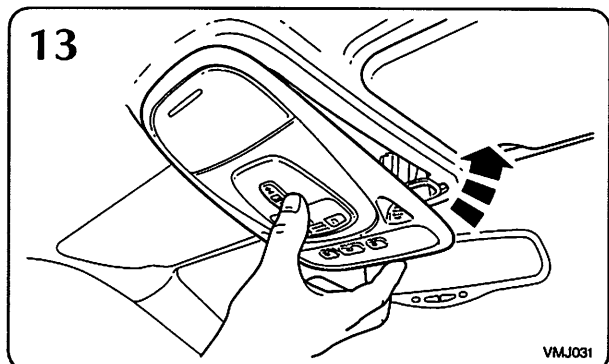
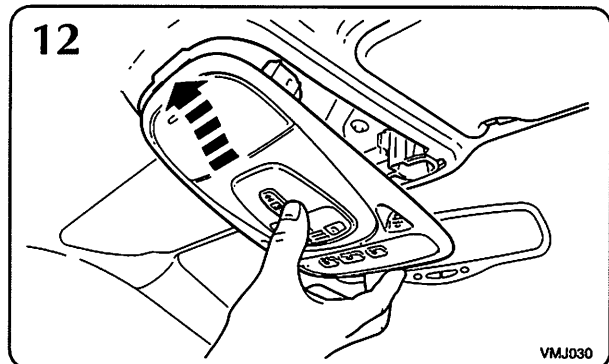
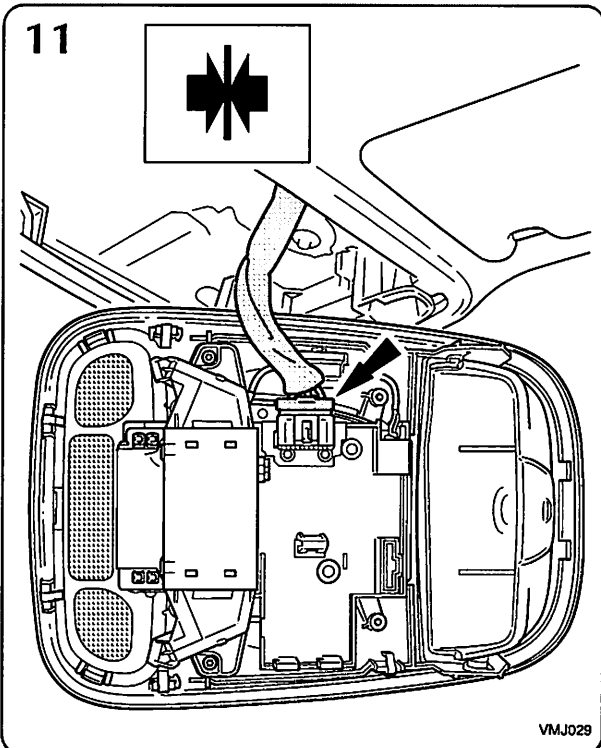
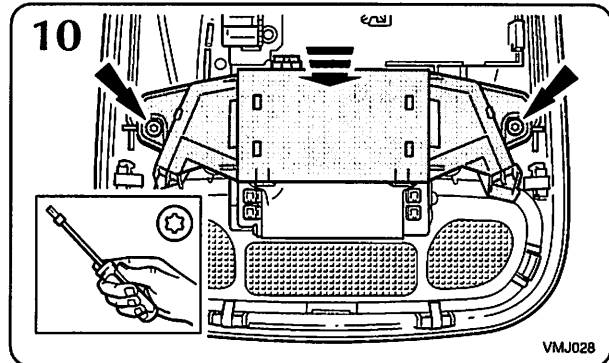
The XJ

Voice Activated Control



Notes:

10. If fitted.



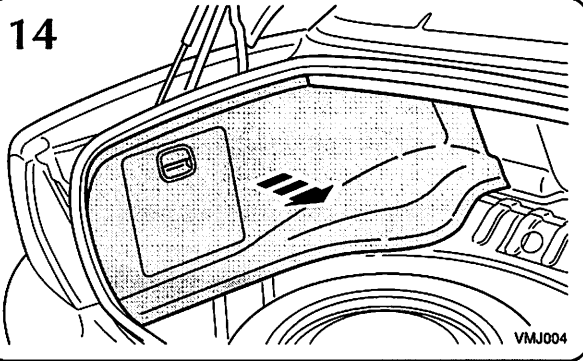
MY 2003 →

Part No. C2C 15665

The XJ

Voice Activated Control

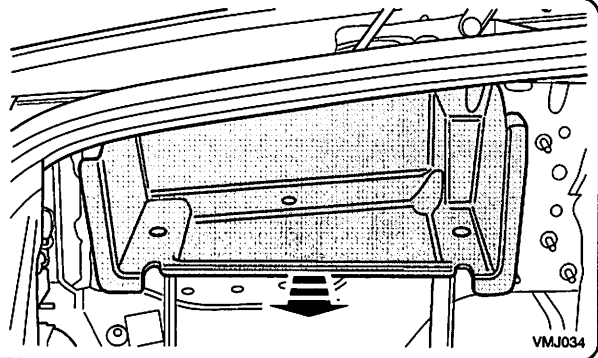
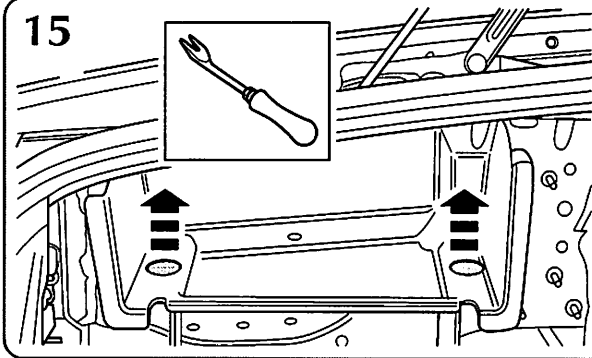
14



Notes:

This instruction shows all the modules that may be fitted to the vehicle. Apply to the vehicle as necessary.

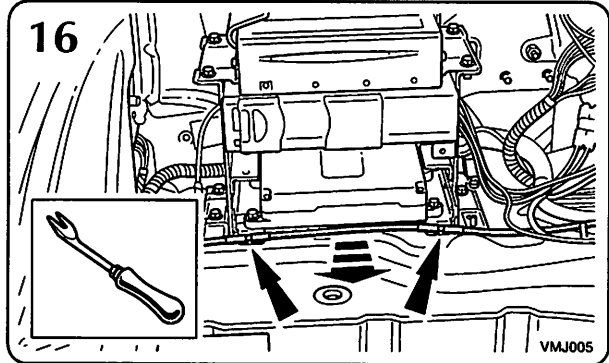
15



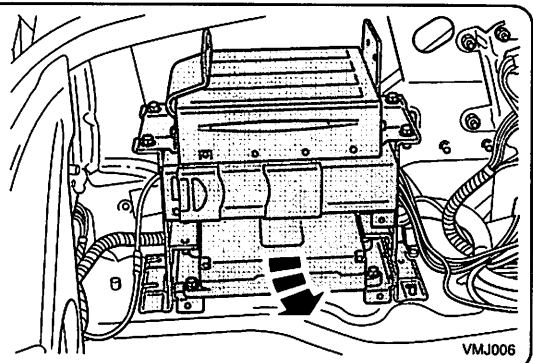
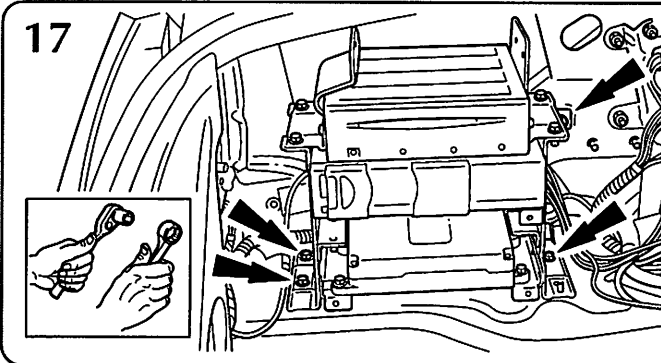
Notes:

15. If fitted.

16



17

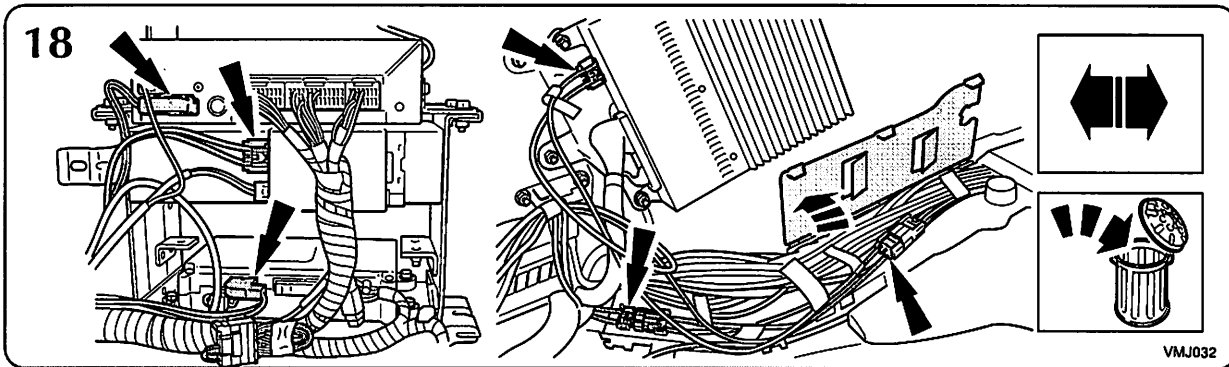


The XJ

Voice Activated Control

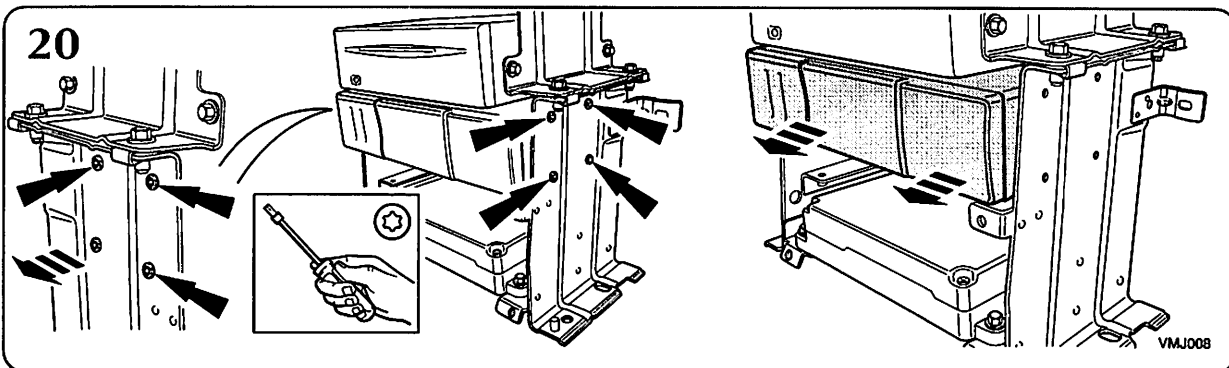
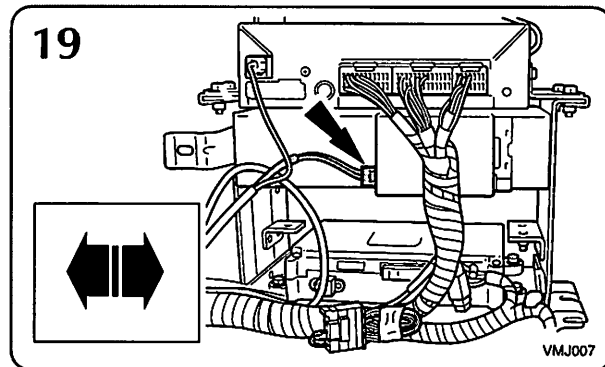
Notes:

- 18. Disconnect original d2b lead to all fitted modules and plugs and discard.



Notes:

- 19 & 20. Ignore if the vehicle does not have CD fitted.

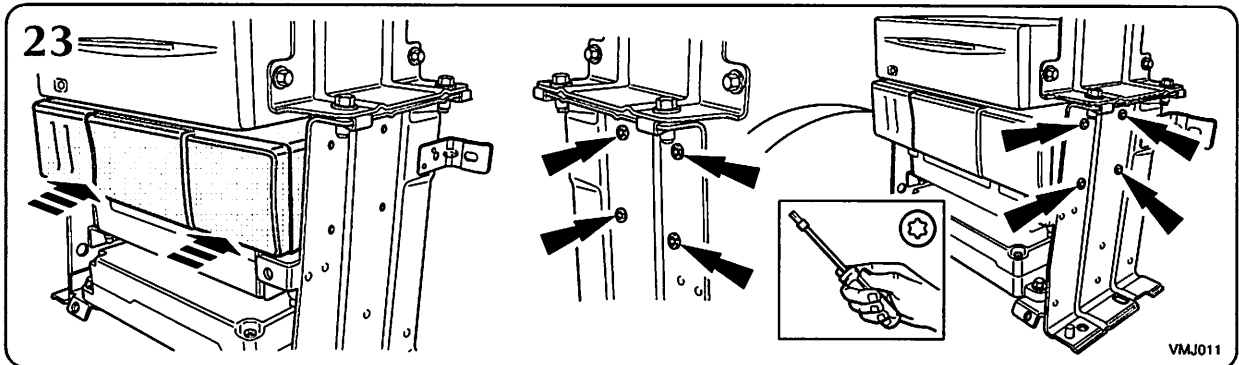
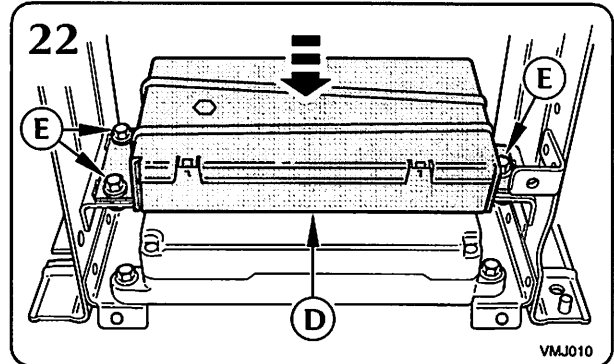
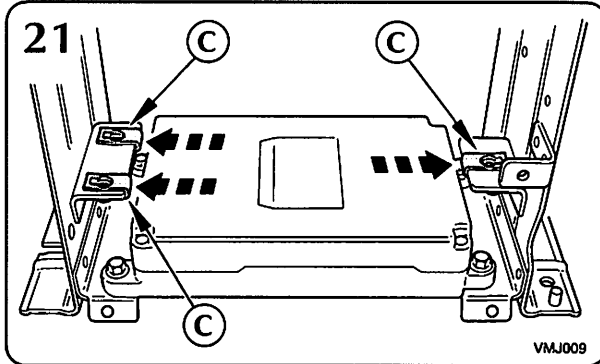


MY 2003 →

Part No. C2C 15665

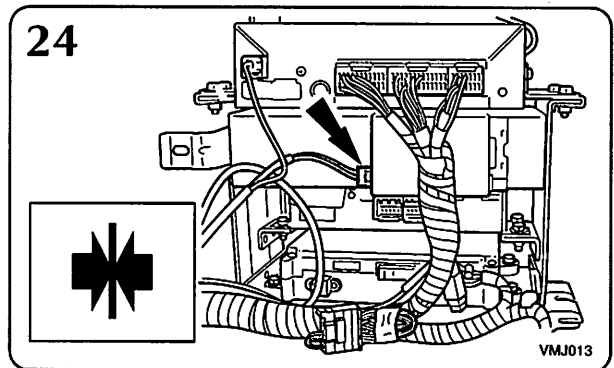
The XJ

Voice Activated Control



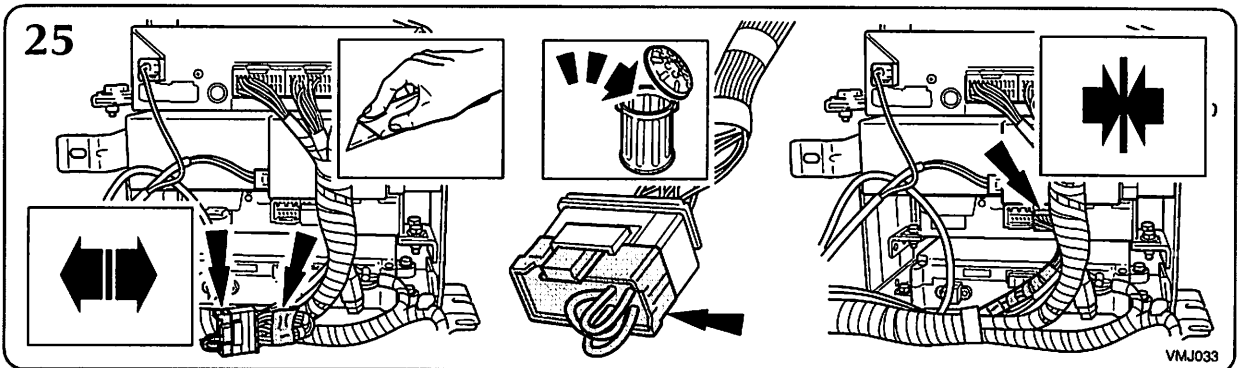
Notes:

23 & 24. Ignore if the vehicle does not have CD fitted.



Notes:

25. Remove and discard electrical shorting loop if fitted.

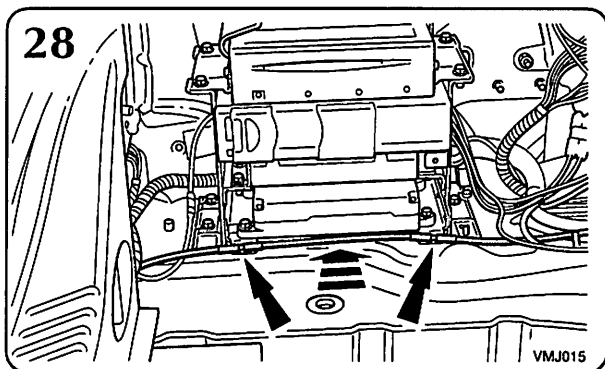
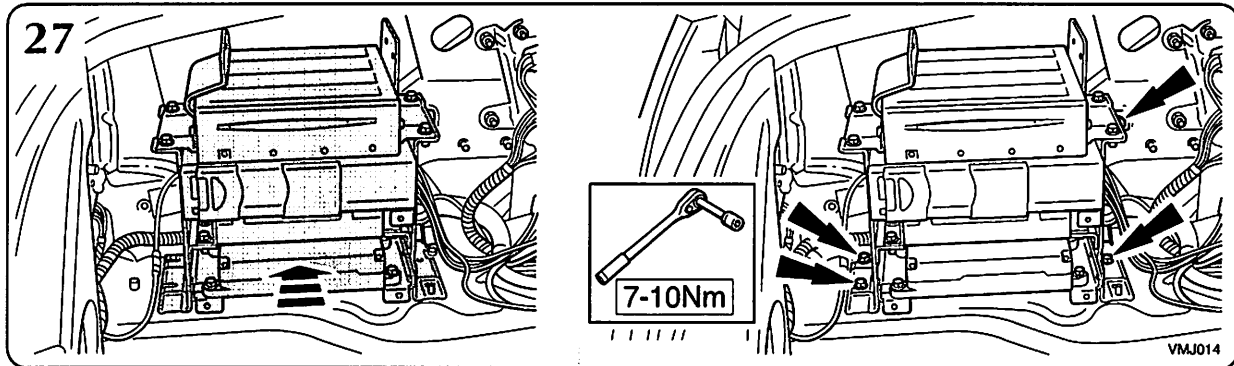
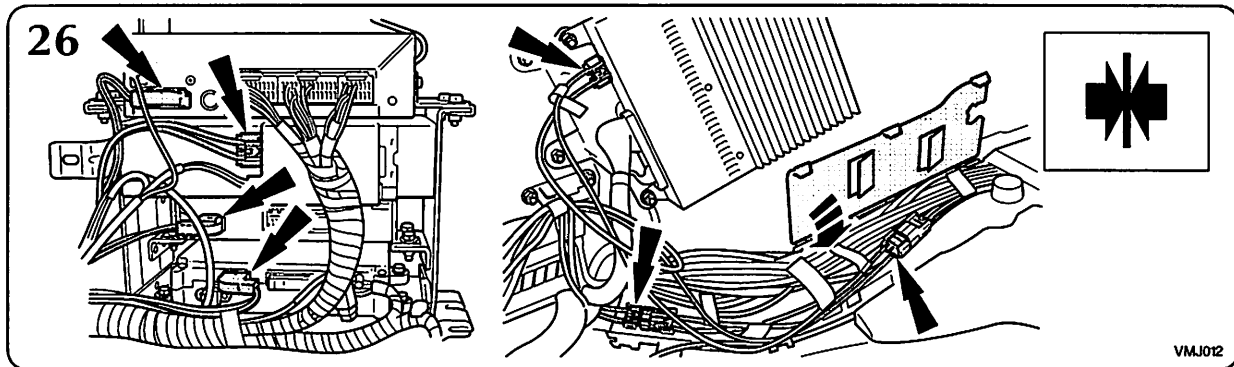


The XJ

Voice Activated Control

Notes:

- 26. Fit new d2b lead supplied to all fitted modules and plugs including Voice.



MY 2003 →

Part No. C2C 15665

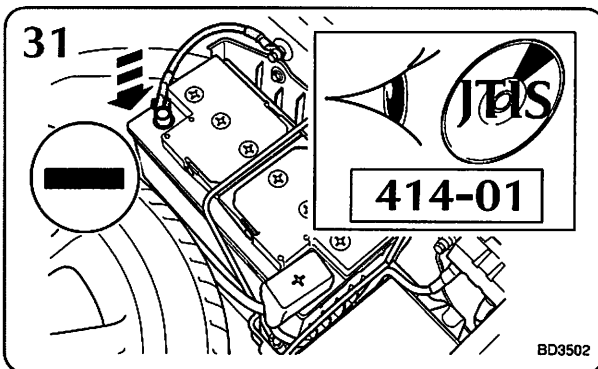
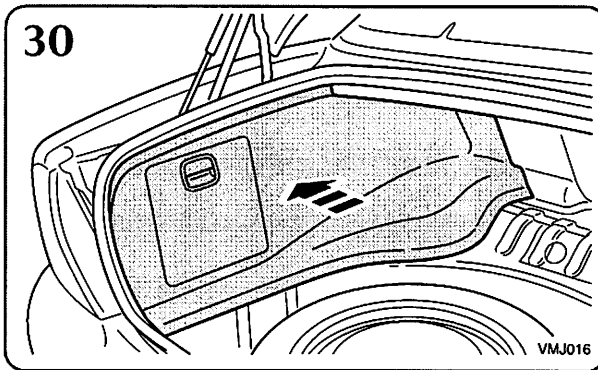
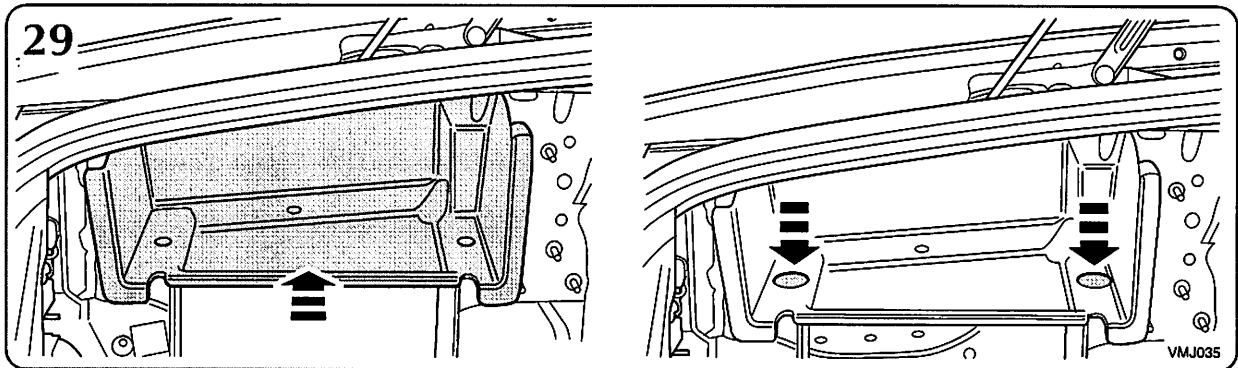
The XJ

Voice Activated Control



Notes:

29. If fitted.

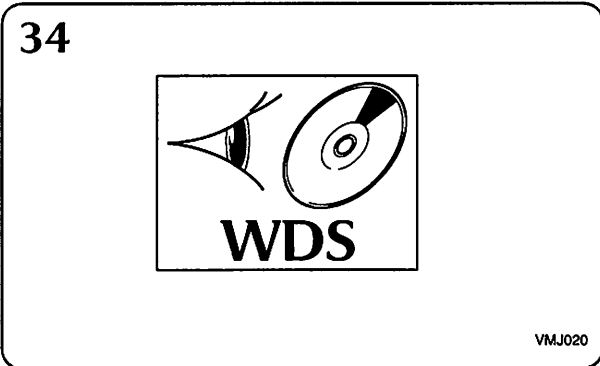
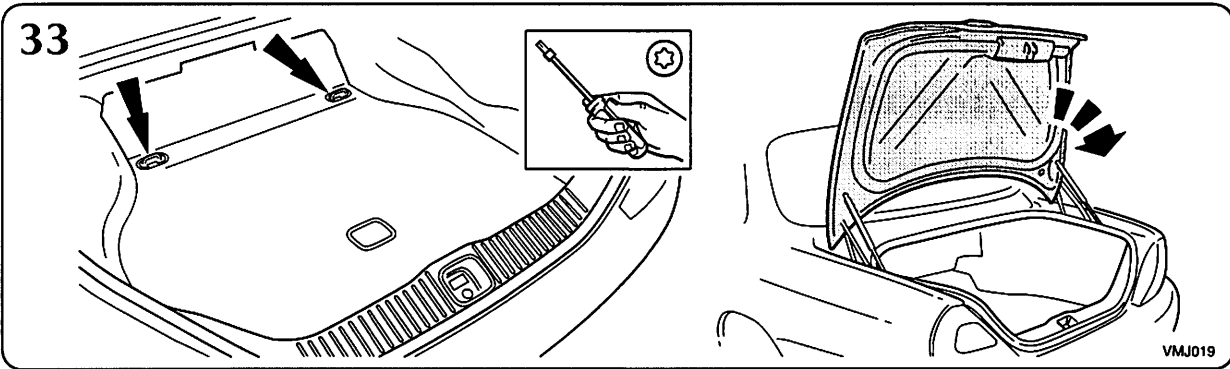
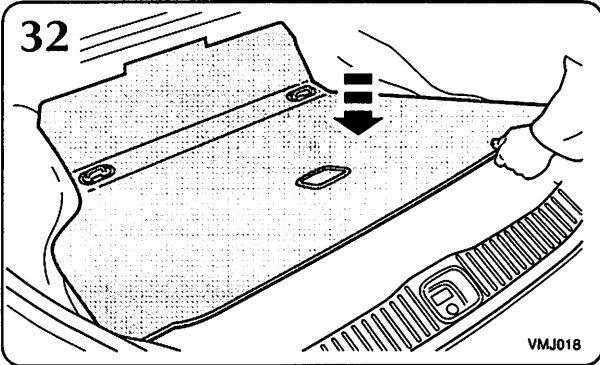


Notes:

31. Refer to J.T.I.S / Drivers Handbook to ensure correct operations are carried out, relevant to battery disconnect and reconnect.

The XJ

Voice Activated Control



Notes:

34. Refer to WDS, dealer options, add and remove accessory.