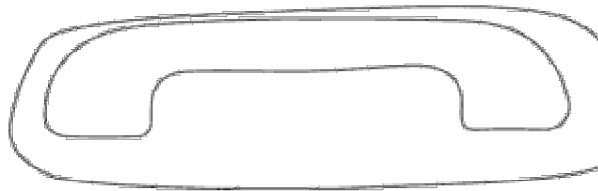


2004 XJ RANGE - Roof Opening Panel - 501-17

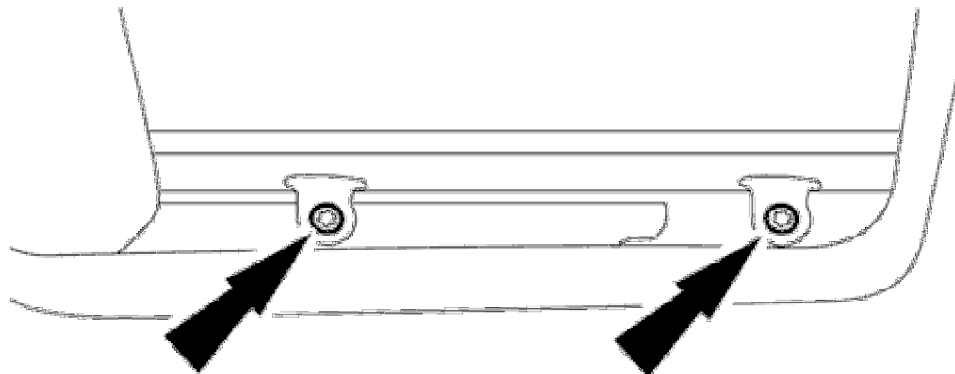


E30349

1. NOTE:

Left-hand shown, right-hand similar.

Detach the sight shield at the front of the roof and swing inwards towards the rear of vehicle.



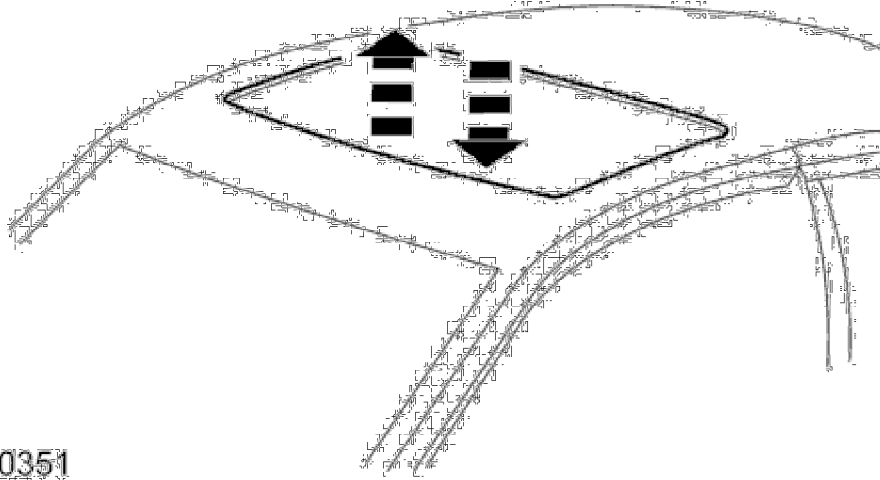
E30350

2. NOTE:

Left-hand shown, right-hand similar.

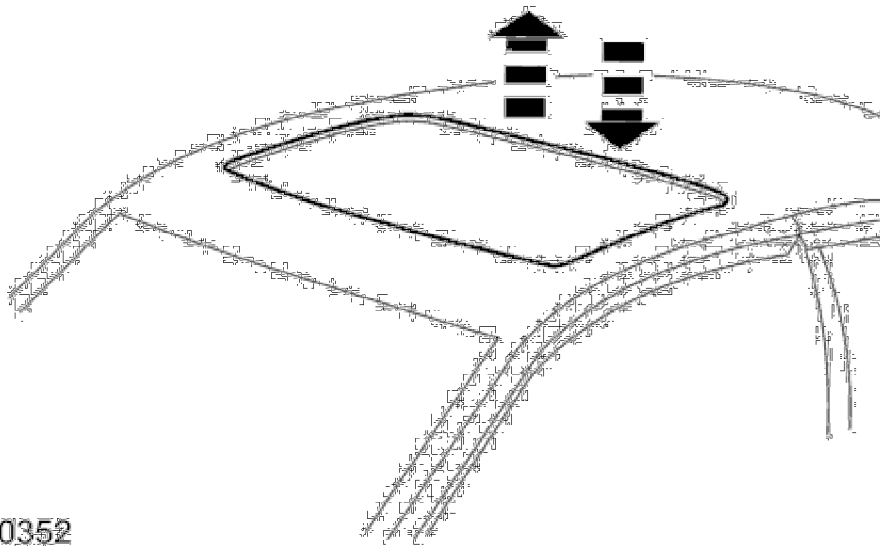
Loosen the roof opening panel glass retaining screws.

2004 XJ RANGE - Roof Opening Panel - 501-17



E30351

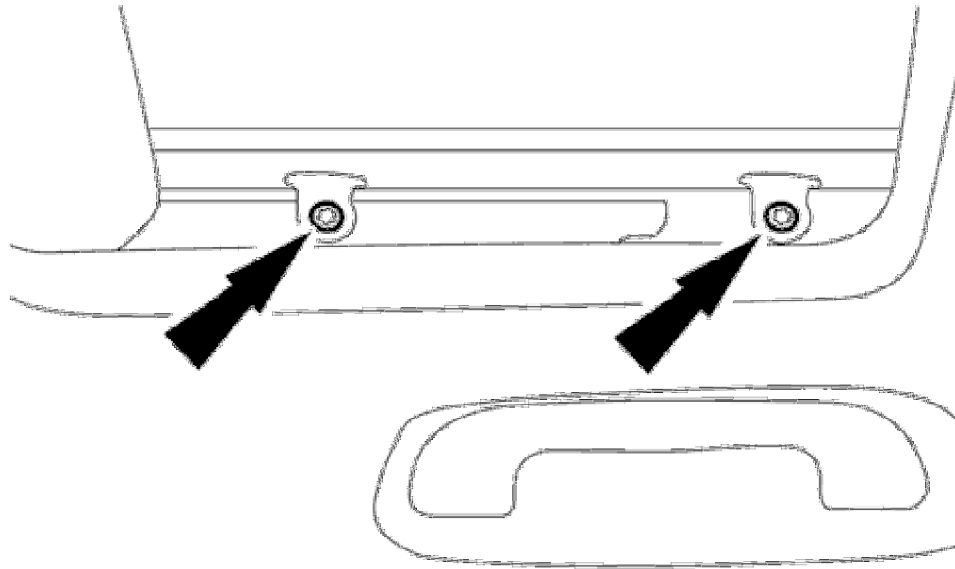
3. Adjust the front edge of the roof opening panel glass to between flush and 1 mm (0.04 in) low.



E30352

4. Adjust the rear glass edge to between flush and 1 mm (0.04 in) low.

2004 XJ RANGE - Roof Opening Panel - 501-17

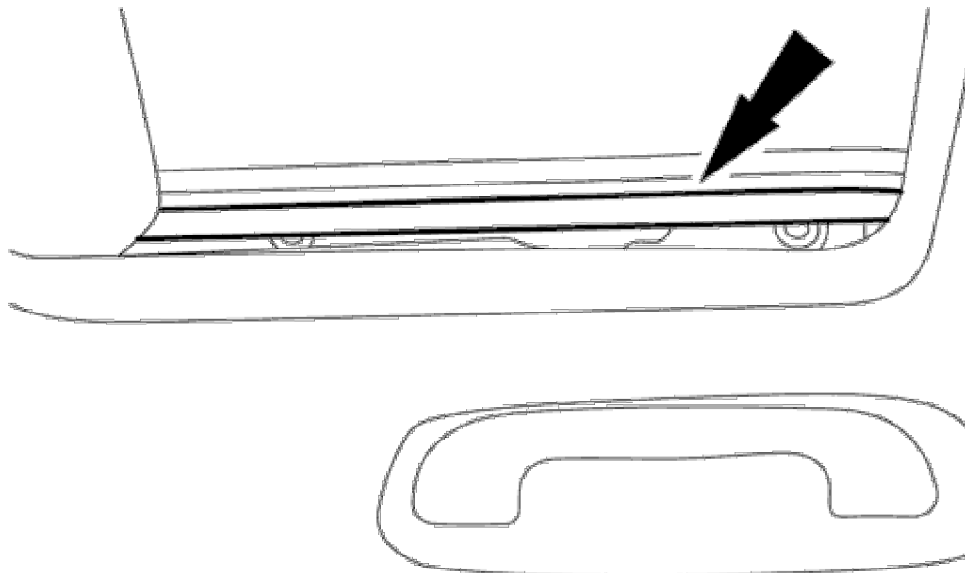


E30350

5. NOTE:

Left-hand, shown right-hand similar.

Tighten to 4 Nm.



E30349

NOTE:

Left-hand, shown right-hand similar.

Install the sight shields.