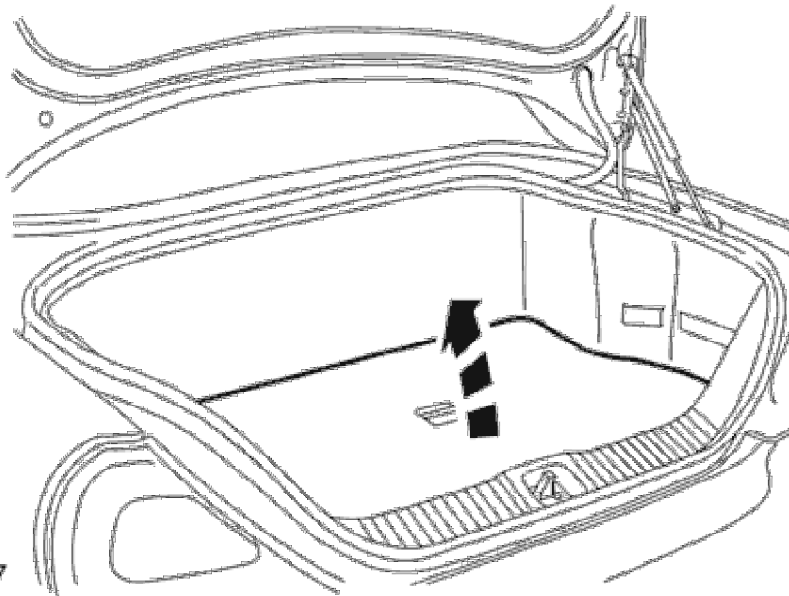
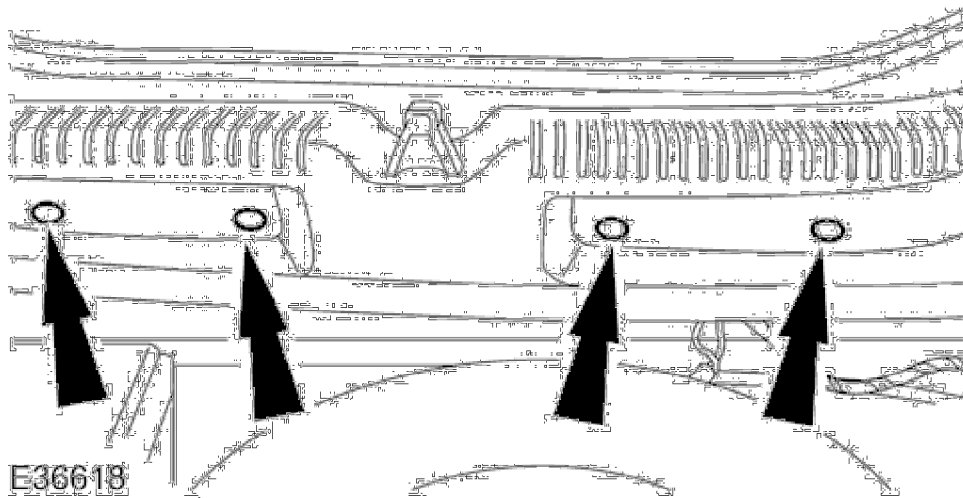


Luggage Compartment Lid Alignment



E36787

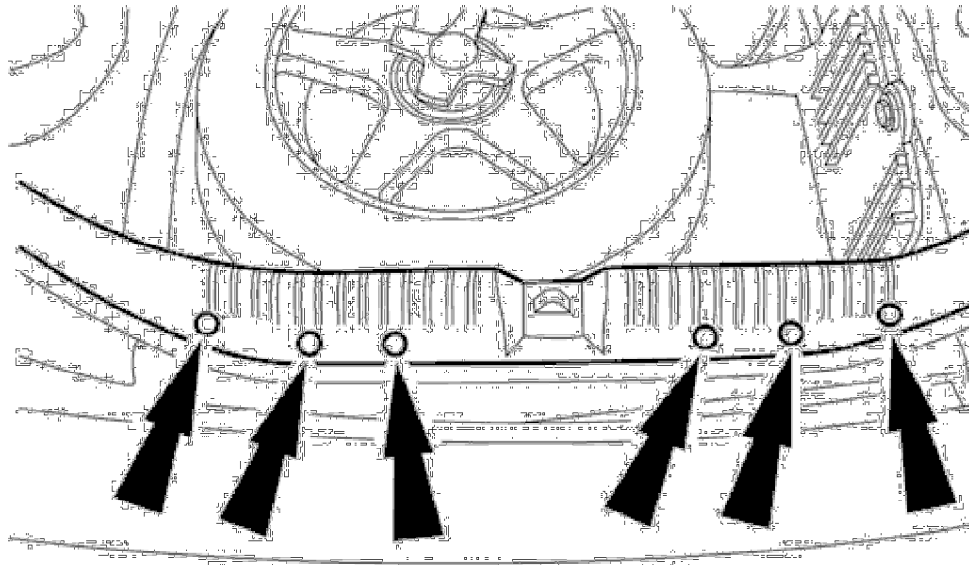
1. Reposition the luggage compartment floor covering.



E36618

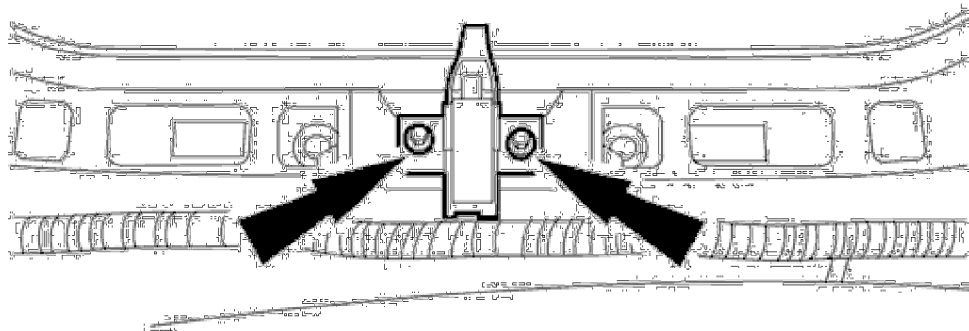
2. Remove the luggage compartment trim panel lower retaining clips.

2004 XJ RANGE - Body Closures - 501-03



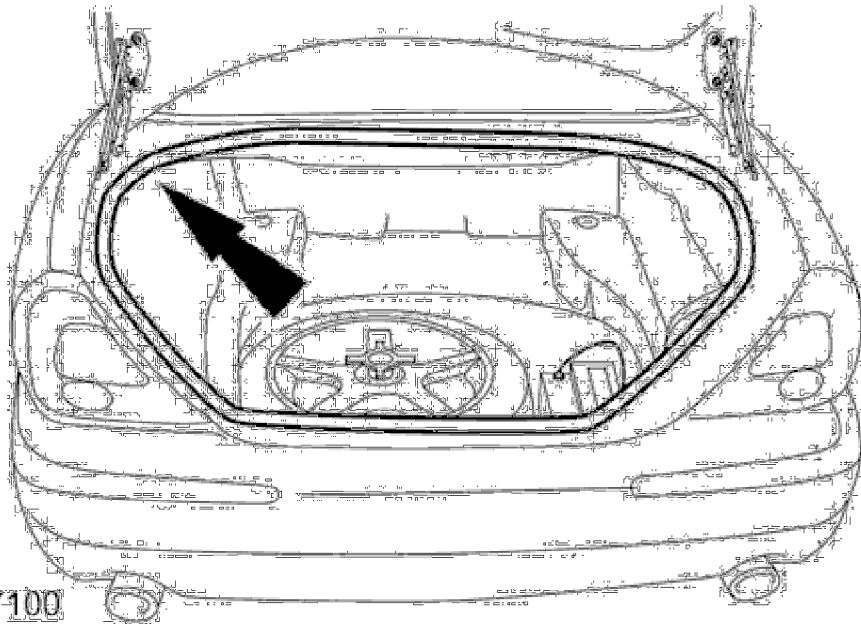
E36617

3. Remove the luggage compartment trim panel.



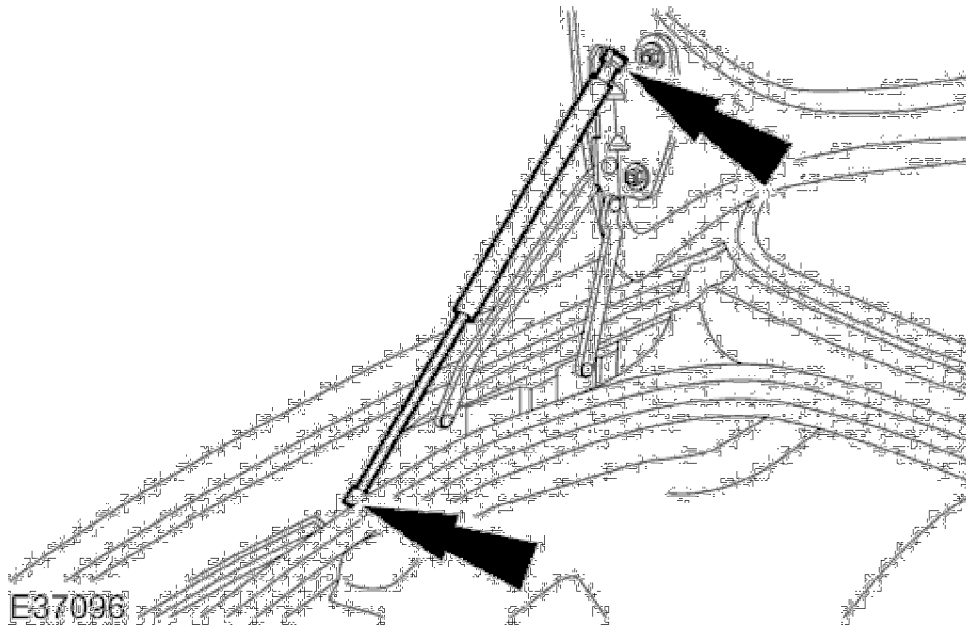
E37142

4. Remove the luggage compartment lid striker.



E37100

5. Remove the luggage compartment aperture seal.



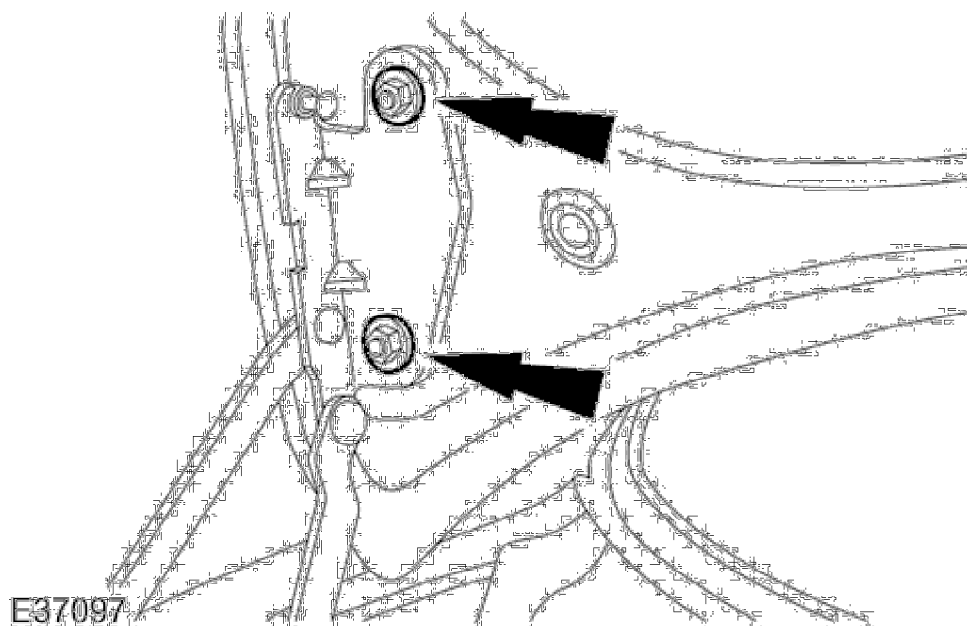
E37096

6. **NOTE:**

Left-hand shown, right-hand similar.

Remove both the luggage compartment lid gas struts

2004 XJ RANGE - Body Closures - 501-03



7. NOTE:

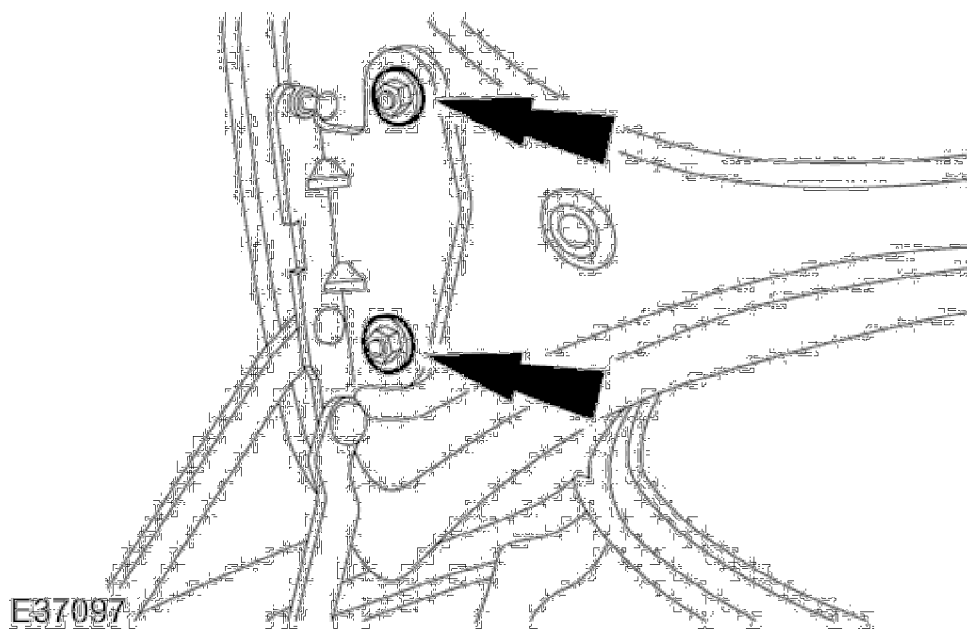
Left-hand shown, right-hand similar.

Loosen the luggage compartment lid retaining bolts.

8. NOTE:

Make sure the spacing between the bumper to luggage compartment lid, rear windshield to luggage compartment lid and rear fenders to luggage compartment lid are equal.

Set the luggage compartment lid to the middle of the luggage compartment aperture.



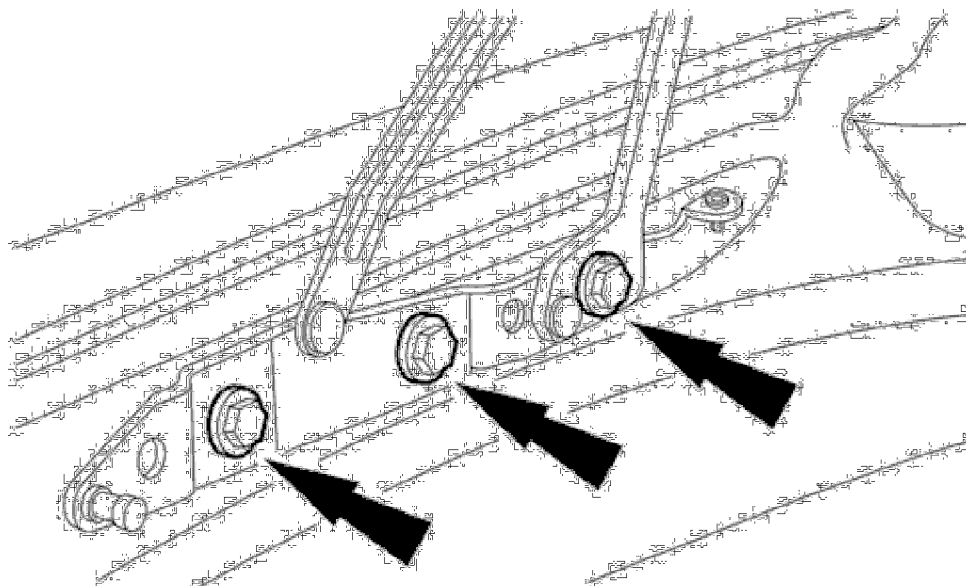
9. NOTE:

Left-hand shown, right-hand similar.

2004 XJ RANGE - Body Closures - 501-03

Tighten the luggage compartment lid retaining bolts.

- Tighten to 18 Nm.

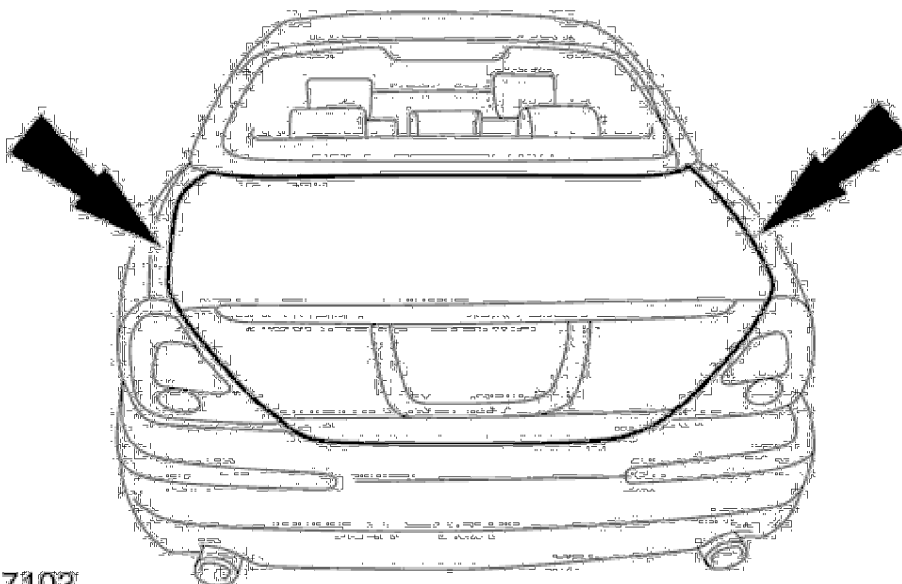


E37102

10. **NOTE:**

Left-hand shown, right-hand similar.

Loosen the luggage compartment lid hinge retaining bolts.



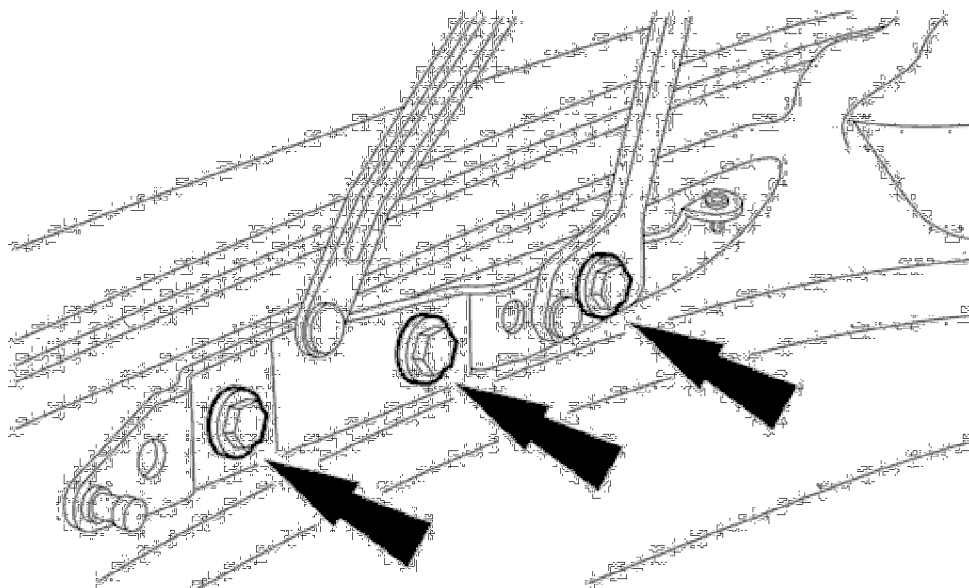
E37103

11. **NOTE:**

Set the alignment to 1 mm (0.04 in) lower than nominal at the middle edges of the luggage compartment lid.

Set the luggage compartment lid alignment.

2004 XJ RANGE - Body Closures - 501-03



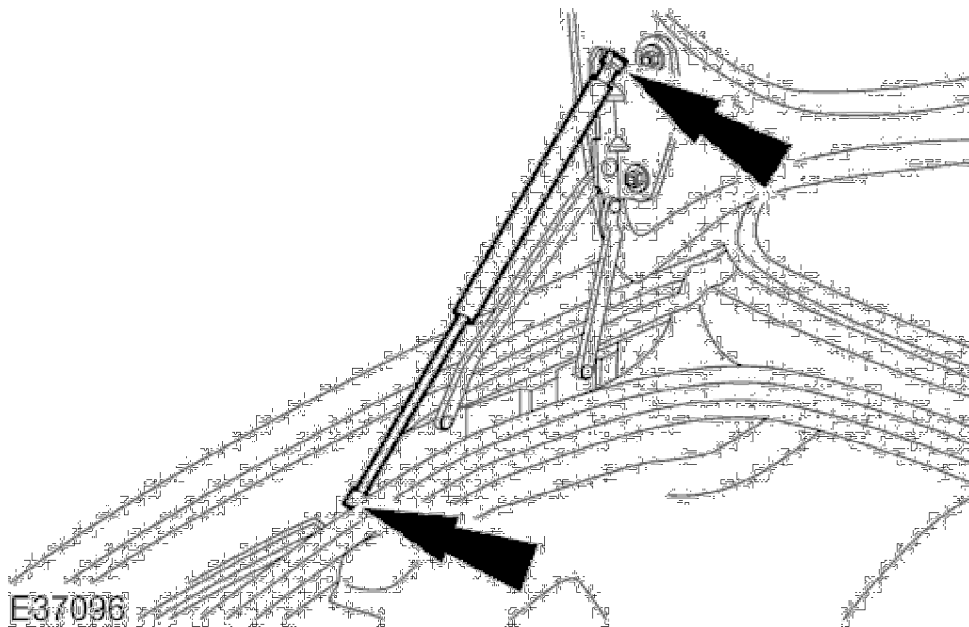
E37102

12. NOTE:

Left-hand shown, right-hand similar.

Tighten the luggage compartment lid hinge retaining bolts.

- Tighten to 18 Nm.



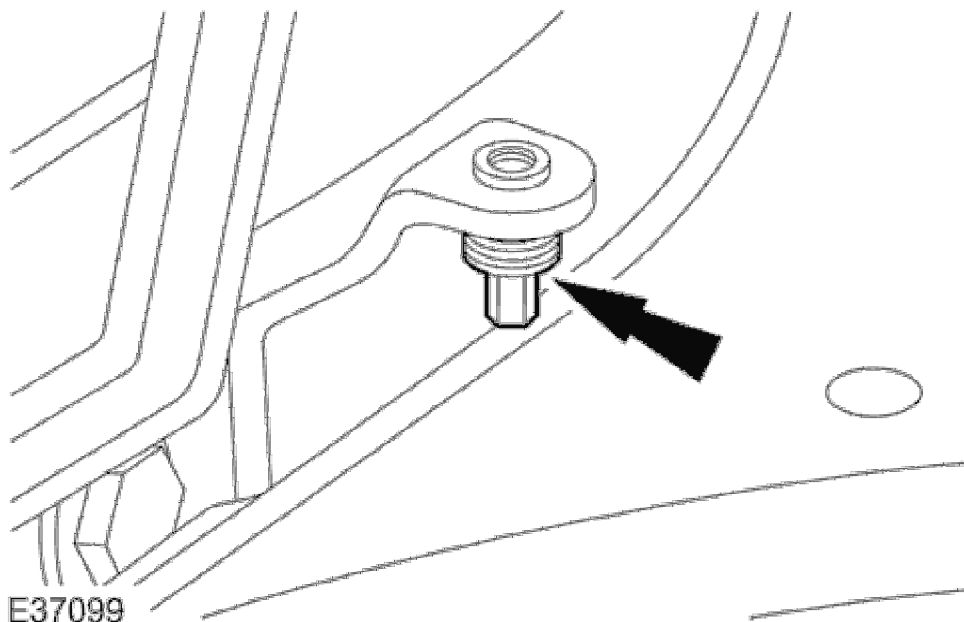
E37096

13. NOTE:

Left-hand shown, right-hand similar.

Install both the luggage compartment lid gas struts.

2004 XJ RANGE - Body Closures - 501-03

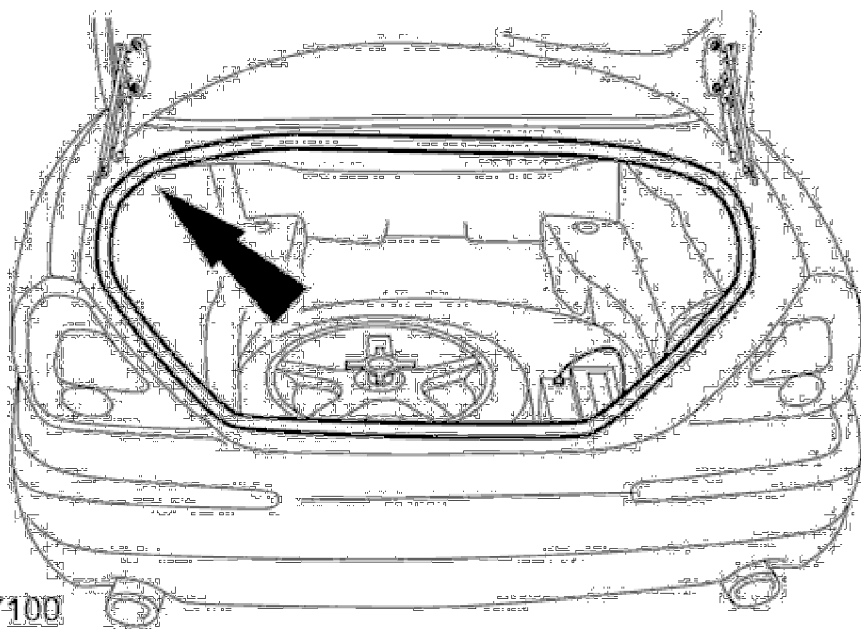


E37099

14. NOTE:

Left-hand shown, right-hand similar.

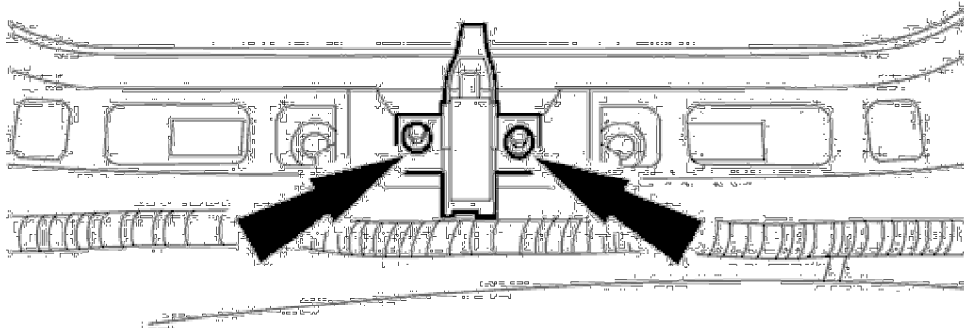
Adjust the luggage compartment lid hinge stops.



E37100

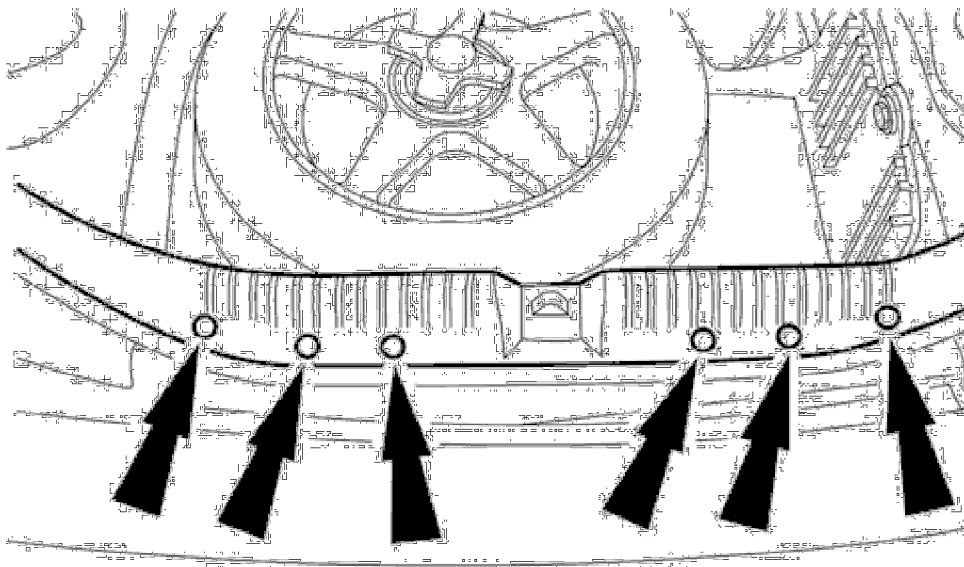
15. Install the luggage compartment aperture seal.

2004 XJ RANGE - Body Closures - 501-03



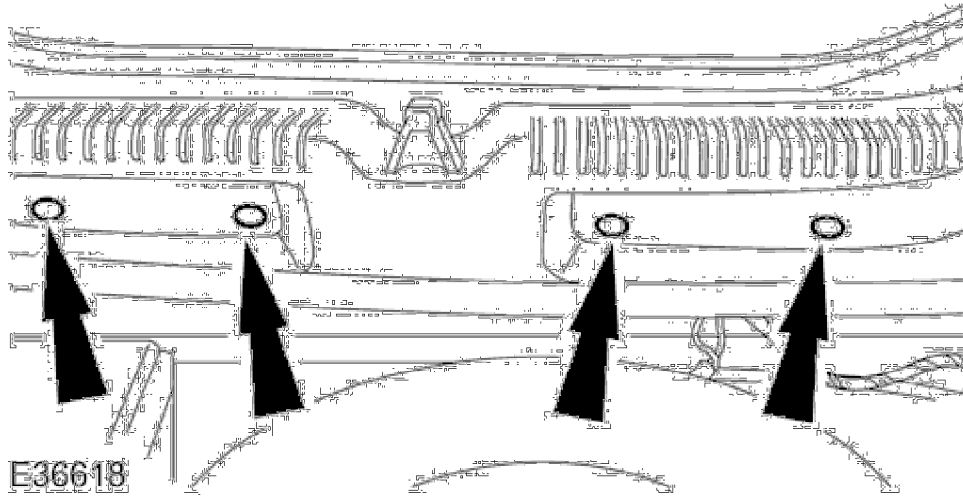
E37142

16. Install the luggage compartment lid striker.
 - Tighten to 9 Nm.



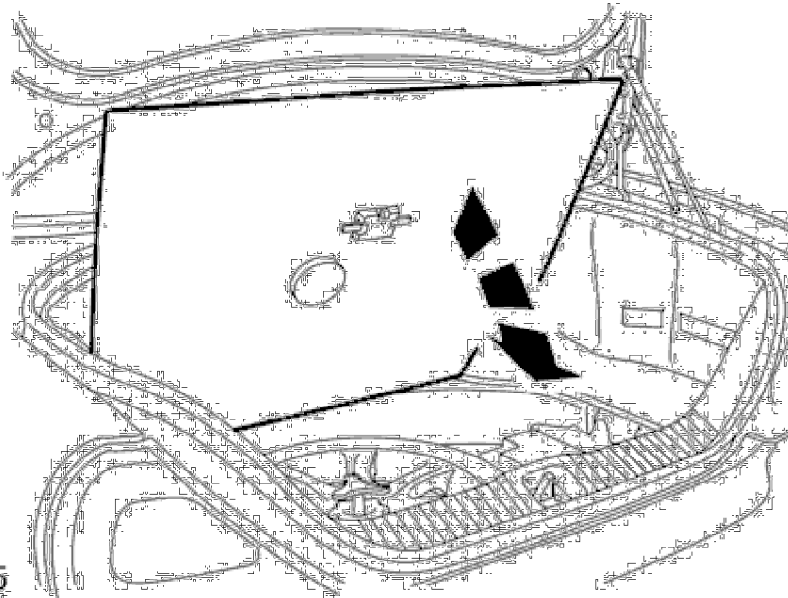
E36617

17. Install the luggage compartment trim panel.



E36618

18. Install the luggage compartment trim panel lower retaining clips.



E37145

19. Reposition the luggage compartment floor covering.