

**Fig. 11.7****COMPONENTS**

Component	Connector(s)	Connector Description	Location
CENTER CONSOLE SWITCH PACK	CL1	8-WAY / BLACK	CENTER CONSOLE
	CL2	8-WAY / BLACK	
FRONT ELECTRONIC MODULE	CR1	26-WAY / BLACK	CABIN / LH 'A' POST
	CR9	12-WAY / BLACK	
	CR10	17-WAY / BLACK	
	CR85	20-WAY / BLACK	
	EC36	22-WAY / BLACK	
SEAT BACK HEATER – DRIVER	SD15	2-WAY / BLACK	DRIVER SEAT BACK
SEAT BACK HEATER – PASSENGER	SP15	2-WAY / BLACK	PASSENGER SEAT BACK
SEAT CUSHION HEATERS – DRIVER	SD14	4-WAY / BLACK	DRIVER SEAT CUSHION
SEAT CUSHION HEATERS – PASSENGER	SP14	4-WAY / BLACK	PASSENGER SEAT CUSHION

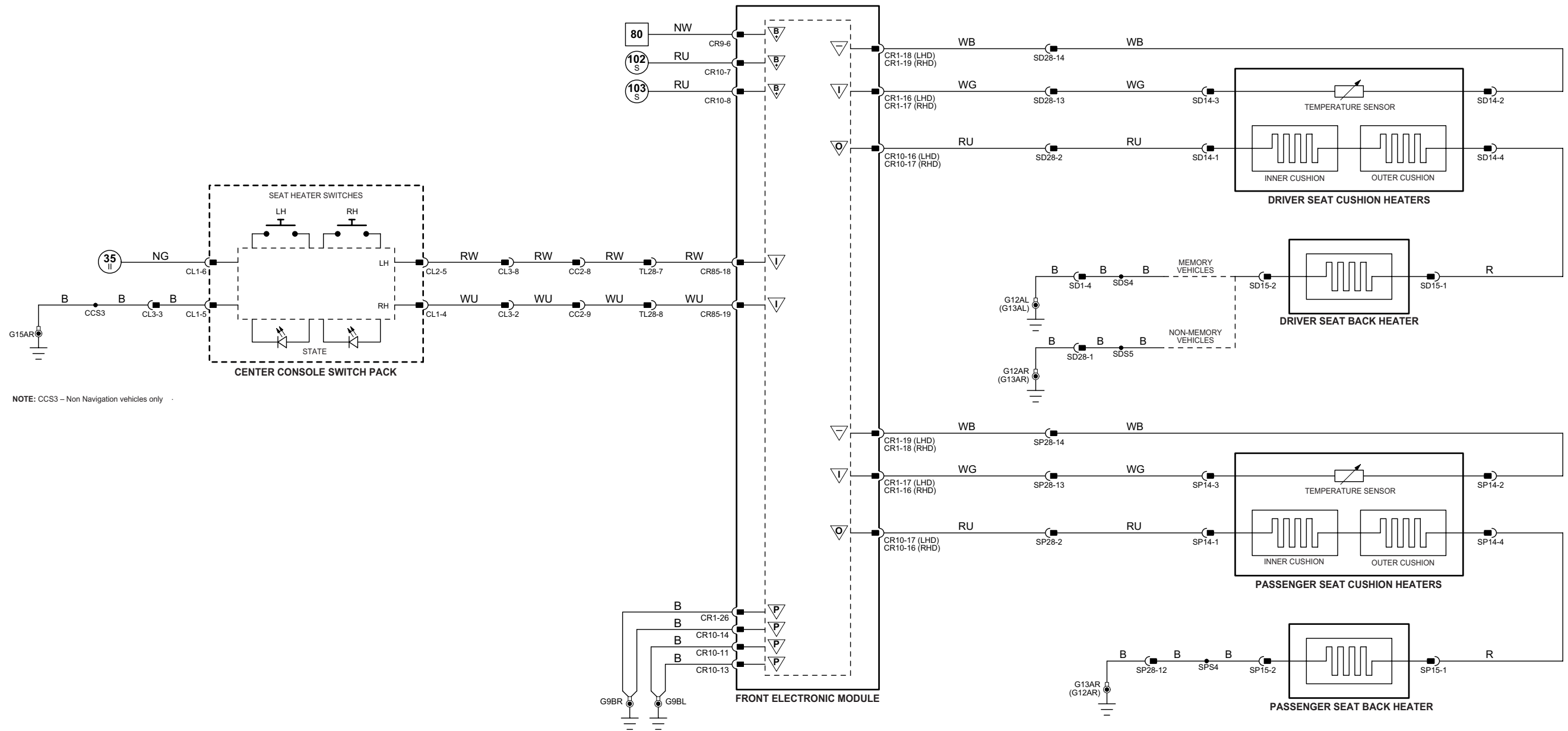
**HARNES IN-LINE CONNECTORS**

Connector	Connector Description / Location	Location
CC2	22-WAY / BLACK / TELEMATICS HARNESS TO CENTER CONSOLE HARNESS	CABIN / BELOW CENTER CONSOLE
CL3	16-WAY / GREY / CENTER CONSOLE HARNESS TO CENTER CONSOLE LINK HARNESS	CABIN / BELOW CENTER CONSOLE / LH SIDE
SD1	4-WAY / GREY / DRIVER SEAT HARNESS TO CABIN HARNESS	CABIN / BELOW DRIVER SEAT
SD28	20-WAY / BLACK / DRIVER SEAT HARNESS TO CABIN HARNESS	CABIN / BELOW DRIVER SEAT
SP28	20-WAY / BLACK / PASSENGER SEAT HARNESS TO CABIN HARNESS	CABIN / BELOW PASSENGER SEAT
TL28	16-WAY / GREY / CENTER CONSOLE HARNESS TO TELEMATICS HARNESS	CABIN / BELOW CENTER CONSOLE / RH SIDE OF TRANSMISSION TUNNEL

**GROUNDS**

Ground	Location
G9	CABIN / UPPER LH 'A' POST
G12	CABIN / BELOW DRIVER SEAT
G13	CABIN / BELOW PASSENGER SEAT
G15	CABIN / RH SIDE OF TRANSMISSION TUNNEL

Refer to the front of this book for detailed information and illustrations regarding the location and identification of harnesses, relays, fuses, grounds, control modules and control module pins.



NOTE: CCS3 - Non Navigation vehicles only

11\_7\_35005

1 → 6 Fig. 01.1	64 → 95 Fig. 01.3	16 → 52 Fig. 01.5	78 → 105 Fig. 01.7	Input	Battery Voltage	Sensor/Signal Supply V	ACP	SCP
7 → 63 Fig. 01.2	1 → 15 Fig. 01.4	53 → 77 Fig. 01.6	106 → 143 Fig. 01.8	Output	Power Ground	Sensor/Signal Ground	CAN	Serial and Encoded Data

VARIANT: Heated Front Seats Vehicles  
 VIN RANGE: All  
 DATE OF ISSUE: September 2004