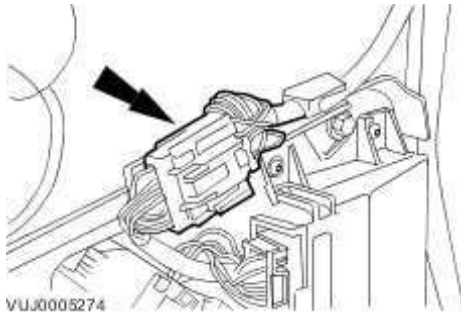


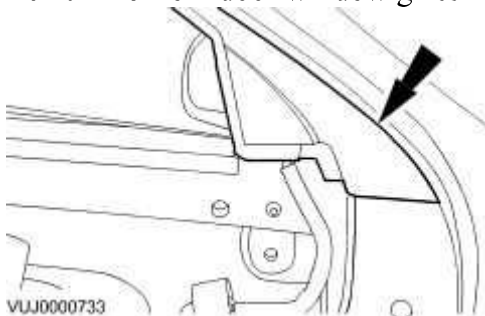
# Exterior Mirror (76.10.52)

## Removal

- 1 . Remove the front door trim panel. <<501-05>>
- 2 . Disconnect the exterior mirror electrical connector.



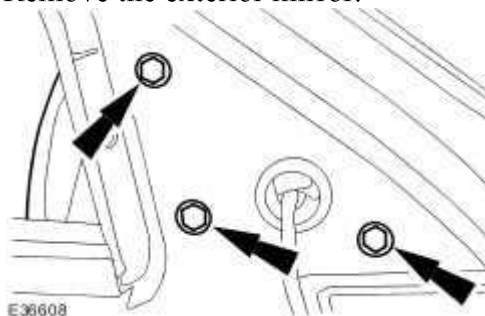
- 3 . Detach the front door window glass interior trim panel.



- 4 . **NOTE:**

Hold the exterior mirror while removing the retaining bolts.

Remove the exterior mirror.



## Installation

1 . To install, reverse the removal procedure.

▶ Tighten to 8 Nm.

