

The XJ

Bluetooth telephone system

Information

Global Jaguar accessory instructions can be found at the URL below.

www.jaguartechno.com/extfree2viewjagprod/index.jsp

Notes

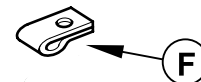
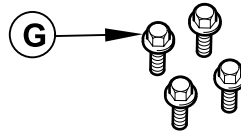
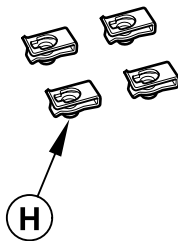
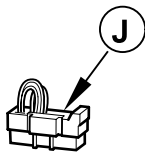
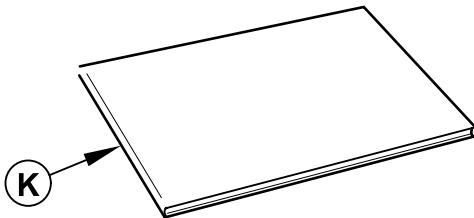
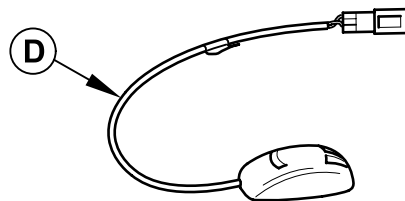
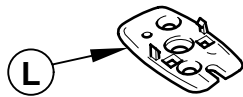
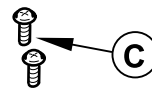
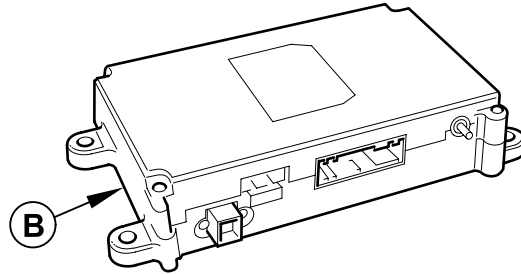
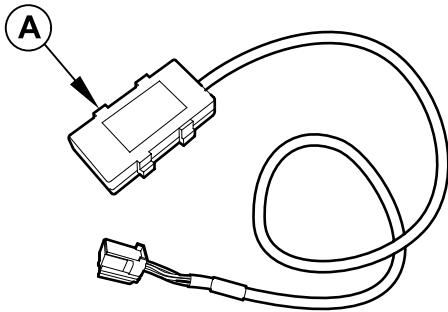
This instruction is for North American Vehicles, 2004 onwards with 2 Zone.



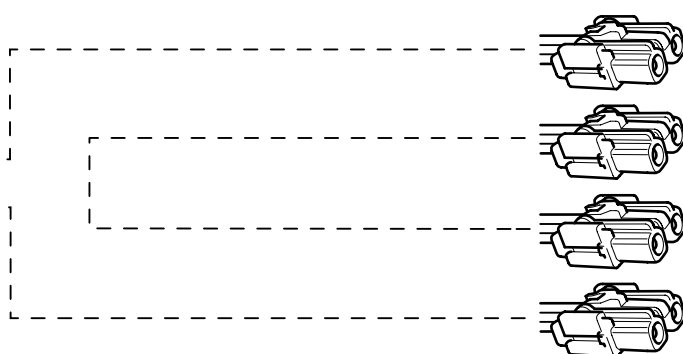
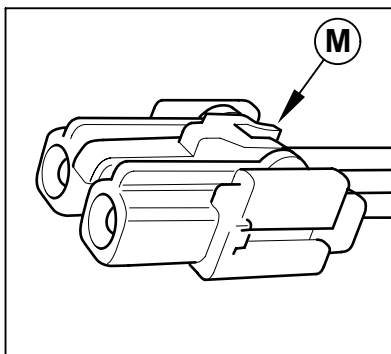
FITTING INSTRUCTIONS, INSTRUCTIONS DE MONTAGE, EINBAUANLEITUNG, ISTRUZIONI DI MONTAGGIO, INSTRUCCIONES DE MONTAJE, 取扱説明書

The XJ

Bluetooth Telephone System



VFAR0952



VFAR0D2B



The XJ

Bluetooth Telephone System

**Parts Required
(Ordered Separately)**

**Parts required will vary dependant on
the specification of the vehicle.**

- A. Bluetooth Module
- B. Telephone Module
- C. Screws
- D. Microphone
- E. Screws
- F. P-Clips

- G. Bolts
- H. Spire Clips
- J. Shorting Loop
- K. Handbook
- L. Microphone Base
- M. D2B Lead

Notes:

For vehicles already fitted with a telephone system, it will be necessary to check the level of the telephone module prior to fitting a new Bluetooth telephone system.

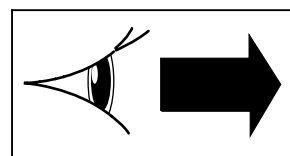
Connect the vehicle to :-

WDS - Configure phone module, and read the level of module.

If the telephone module is earlier than AC level, replace the telephone module.
To replace the telephone module: follow instructions 3-16.

Notes

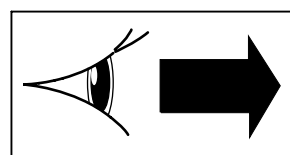
Telephone fitted.



1.

Notes

No telephone fitted.

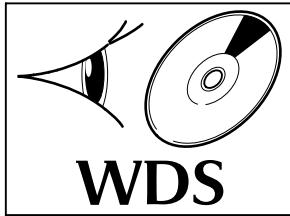


2.

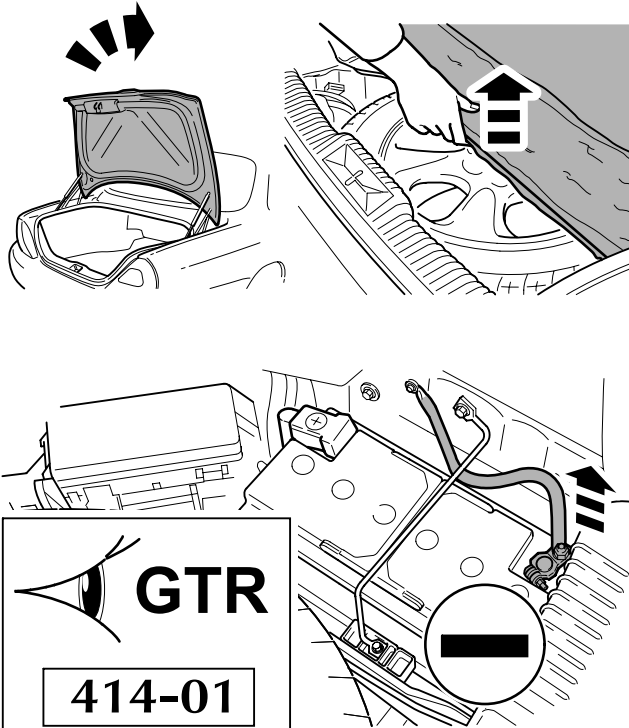
The XJ

Bluetooth Telephone System

1.



2.



VFAR1202

Notes:

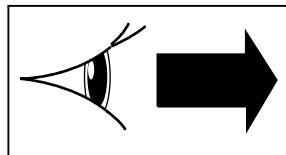
- Refer to GTR / Drivers Handbook to ensure correct operations are carried out, relevant to battery disconnect and reconnect.

Notes

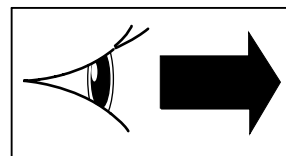
If the vehicle requires the fitment of a telephone module.

Notes

If the vehicle has a suitable telephone module fitted.



3.



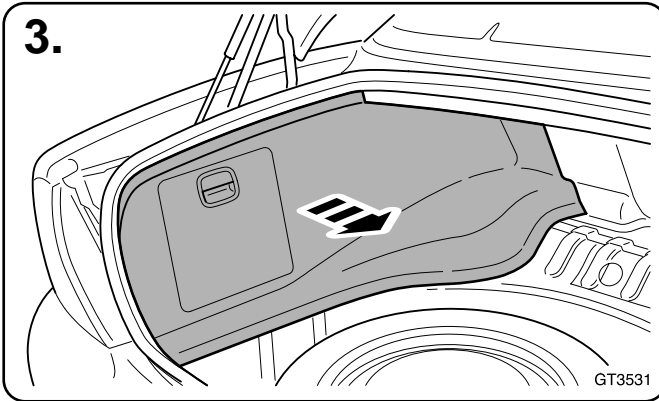
30.



The XJ

Bluetooth Telephone System

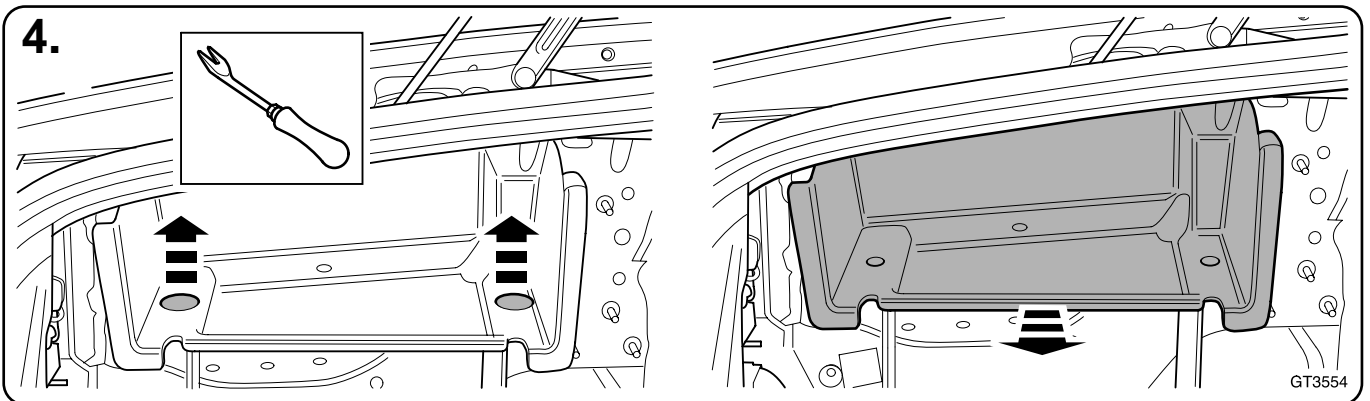
3.



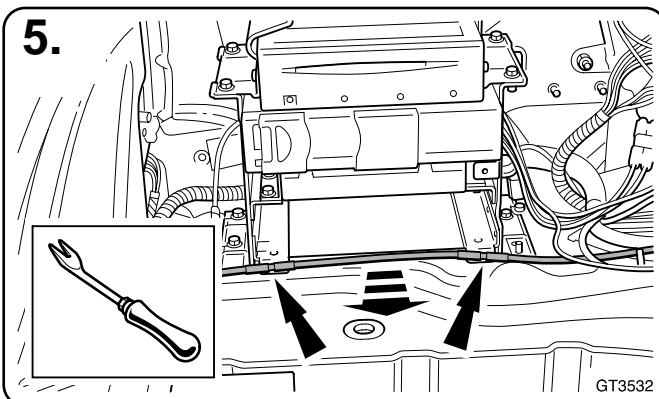
Notes:

4. If fitted.

4.



5.

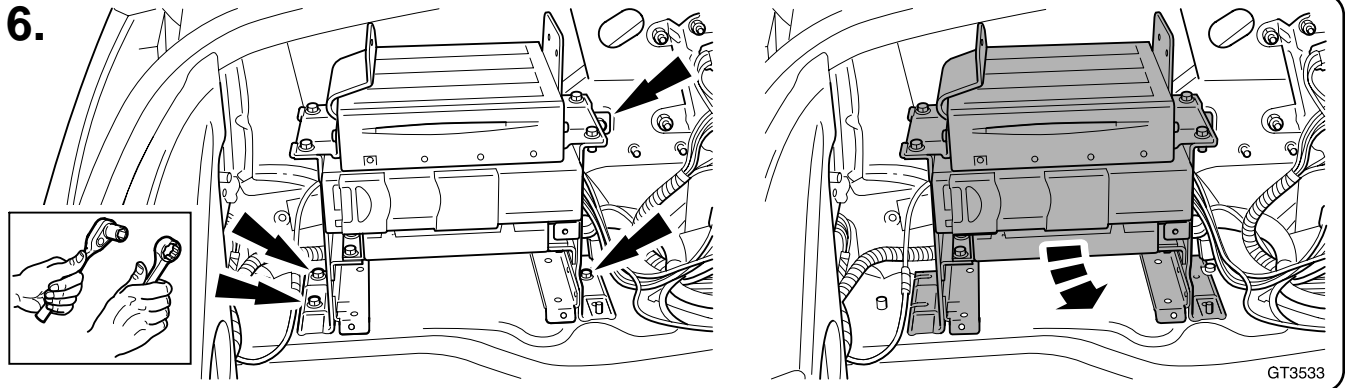




FITTING INSTRUCTIONS, INSTRUCTIONS DE MONTAGE,
EINBAUANLEITUNG, ISTRUZIONI DI MONTAGGIO,
INSTRUCCIONES DE MOTAJE, 取扱説明書

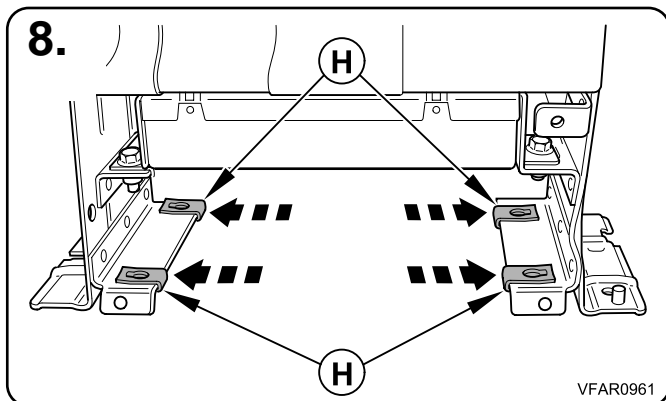
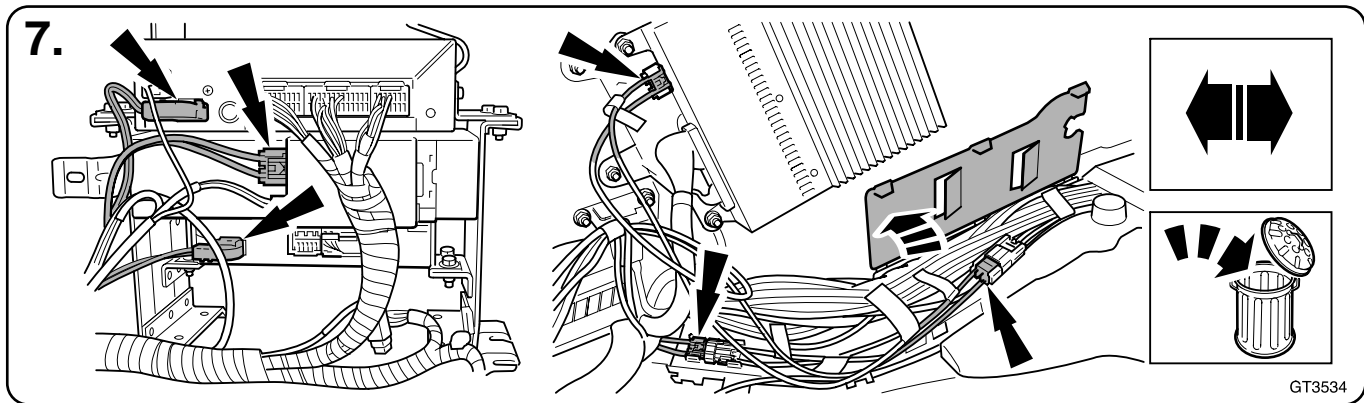
The XJ

Bluetooth Telephone System



Notes:

7. Disconnect original D²b lead to all fitted modules and plugs and discard. All possible modules shown, apply to vehicle as required.



MY 2004 ➔

www.jaguartechinfo.com/extfree2viewjagprod/index.jsp

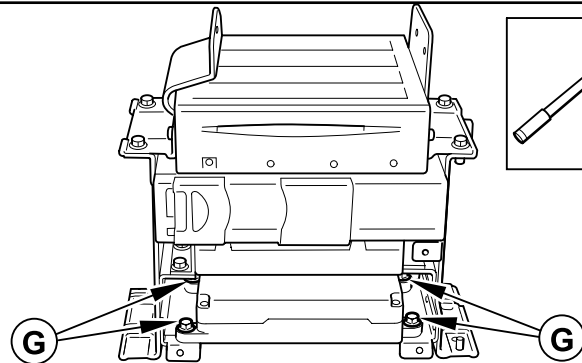
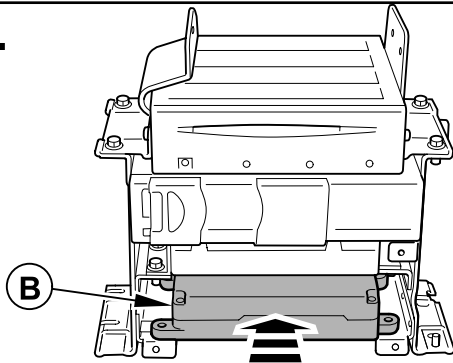


FITTING INSTRUCTIONS, INSTRUCTIONS DE MONTAGE,
EINBAUANLEITUNG, ISTRUZIONI DI MONTAGGIO,
INSTRUCCIONES DE MOTAJE, 取扱説明書

The XJ

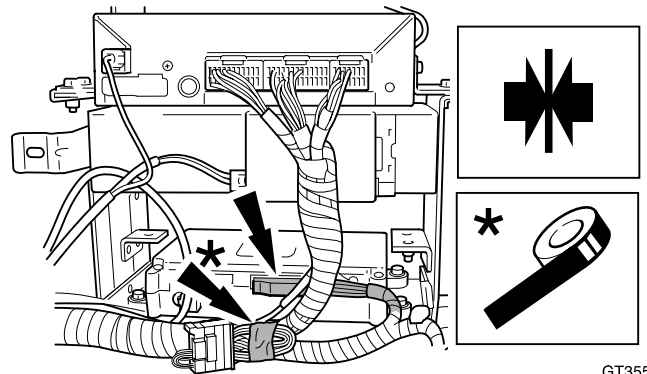
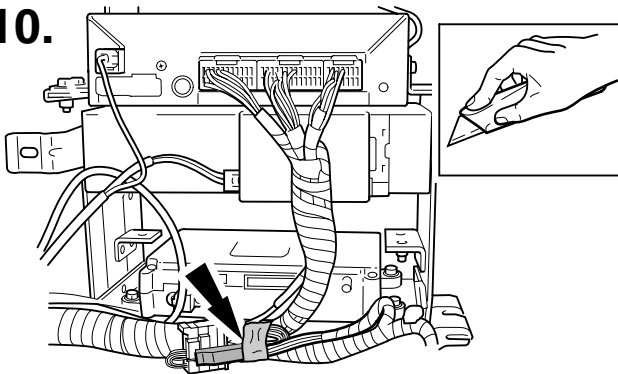
Bluetooth Telephone System

9.



VFAR0962

10.

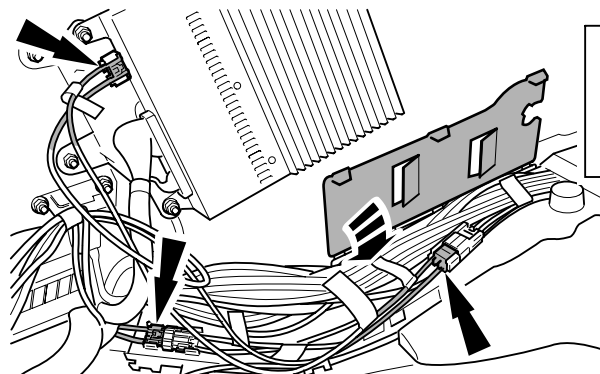
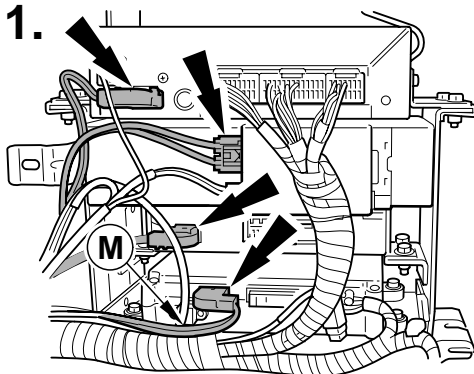


GT3552

Notes:

11. Fit new D²b lead supplied to all fitted modules and plugs including Telephone. All possible modules shown, apply to vehicle as required.

11.



VFAR0966

MY 2004 →

www.jaguartechinfo.com/extfree2viewjagprod/index.jsp

2 ZONE

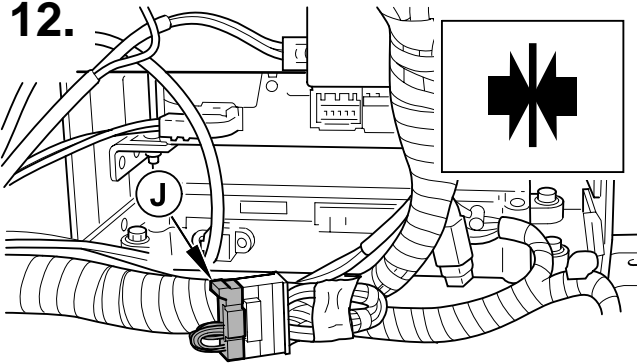


FITTING INSTRUCTIONS, INSTRUCTIONS DE MONTAGE,
EINBAUANLEITUNG, ISTRUZIONI DI MONTAGGIO,
INSTRUCCIONES DE MOTAJE, 取扱説明書

The XJ

Bluetooth Telephone System

12.



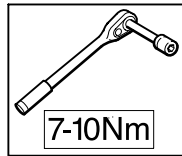
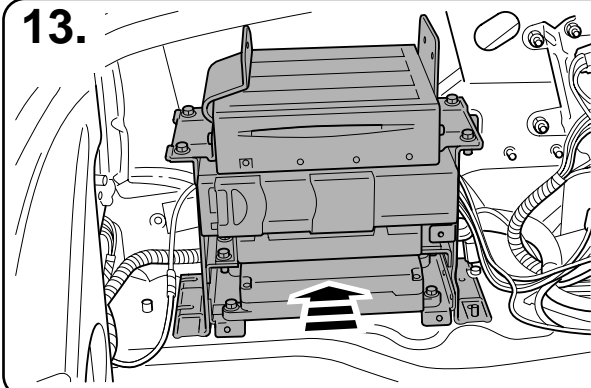
VFAR0963



Notes:

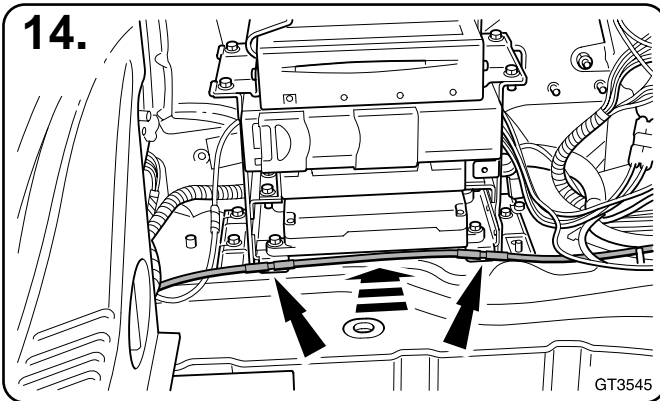
12. Fit electrical shorting loop if voice is not fitted.

13.



GT3544

14.



GT3545

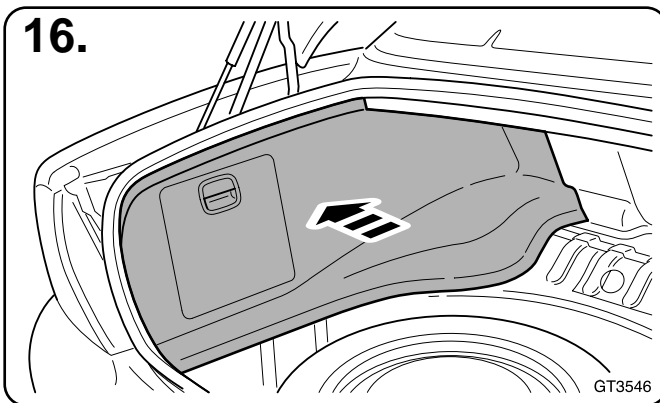
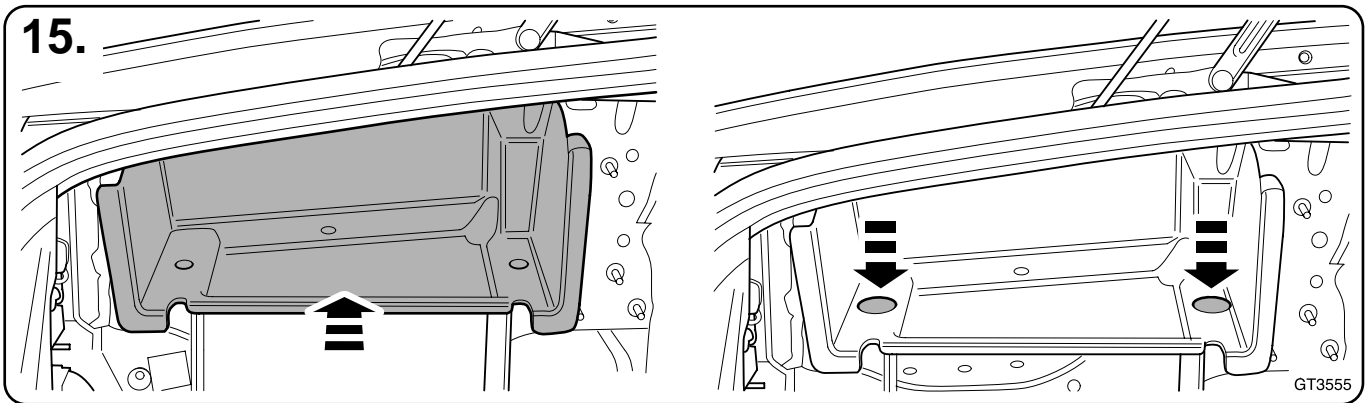


The XJ

Bluetooth Telephone System

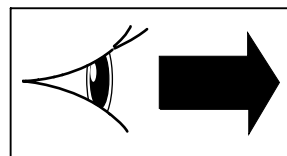
Notes:

15. If fitted.



Notes

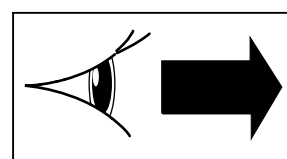
If the vehicle requires a microphone to be fitted.



17.

Notes

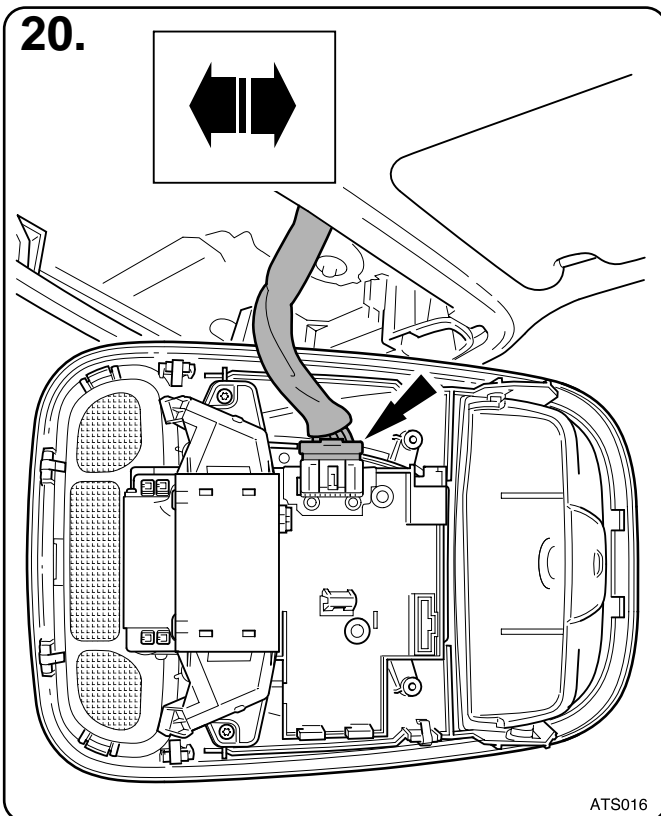
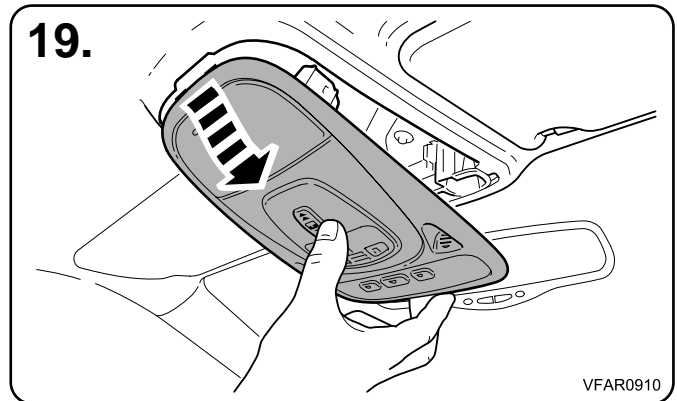
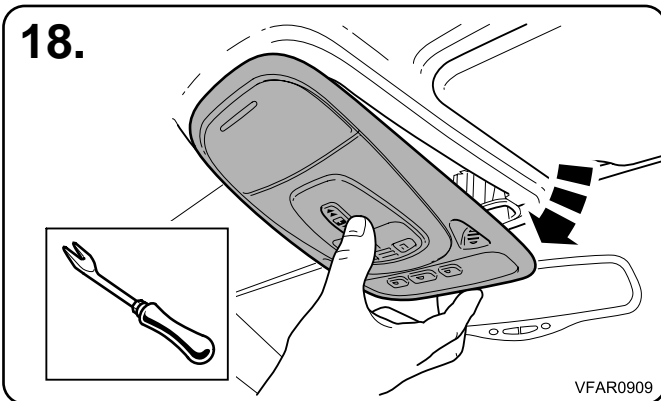
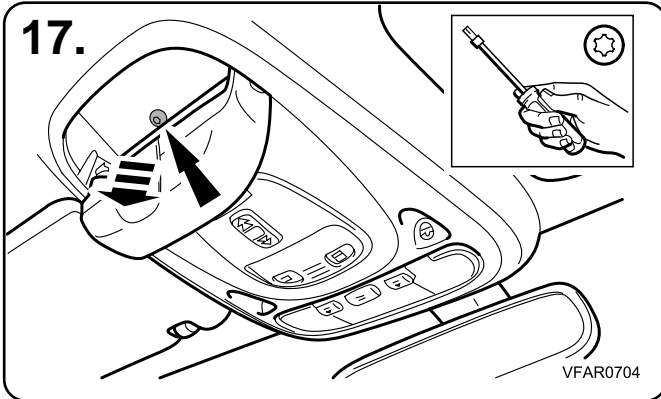
If the vehicle is fitted with voice, or has had a telephone fitted previously.



30.

The XJ

Bluetooth Telephone System



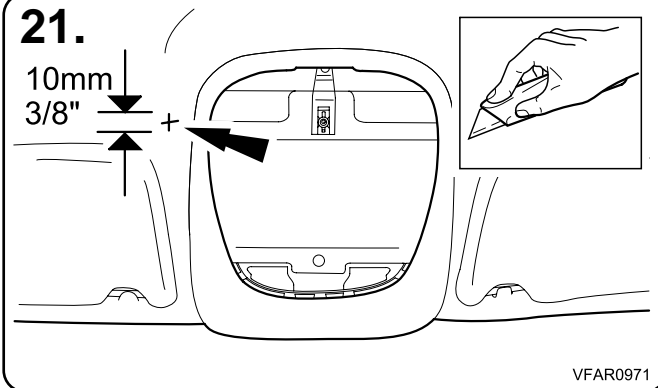


The XJ

Bluetooth Telephone System

21.

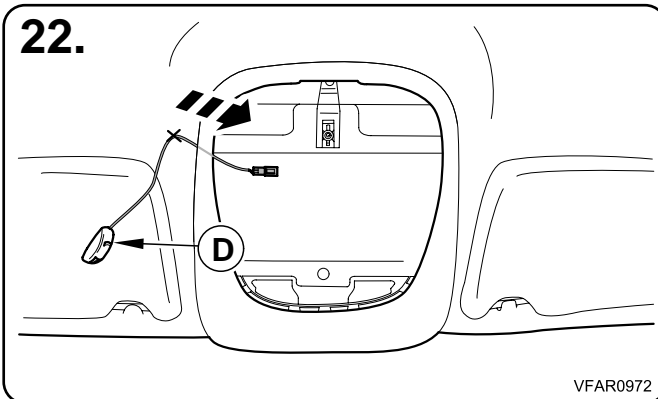
10mm
3/8"



Notes:

21. Cut trim alongside aperture to fit microphone.

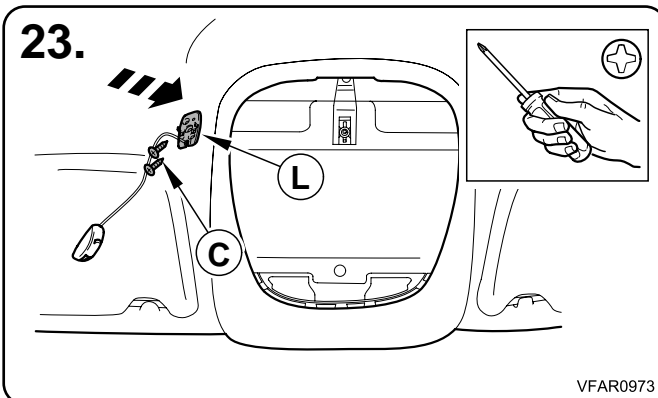
22.



Notes:

23. Secure microphone base plate, angled towards the driver.

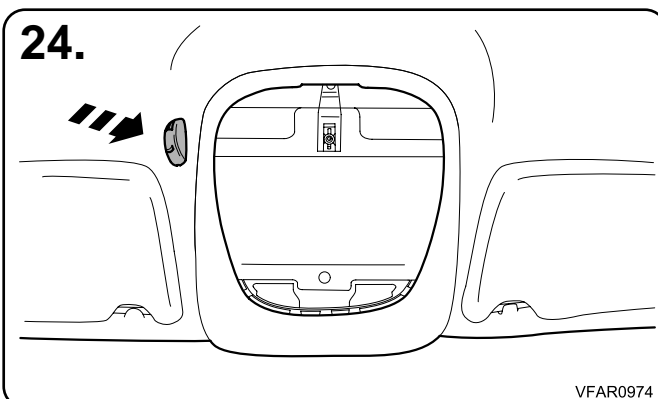
23.



Notes:

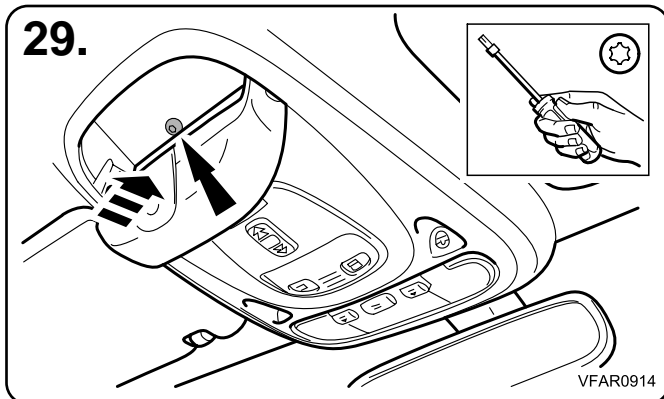
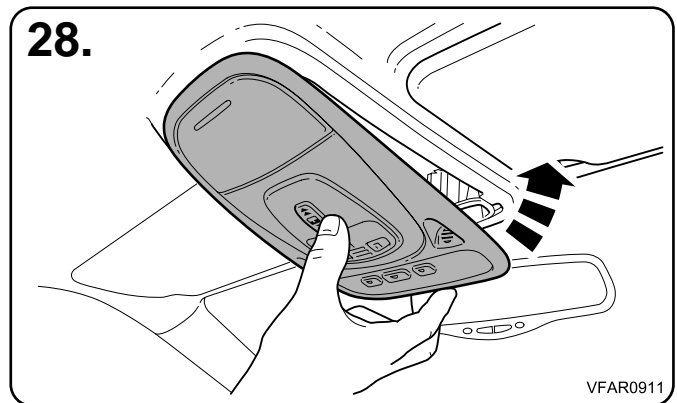
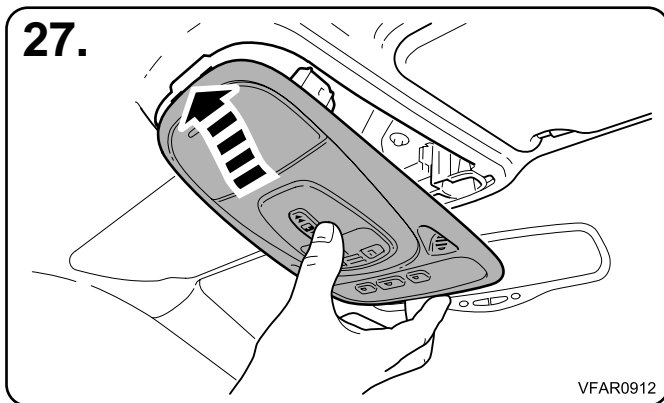
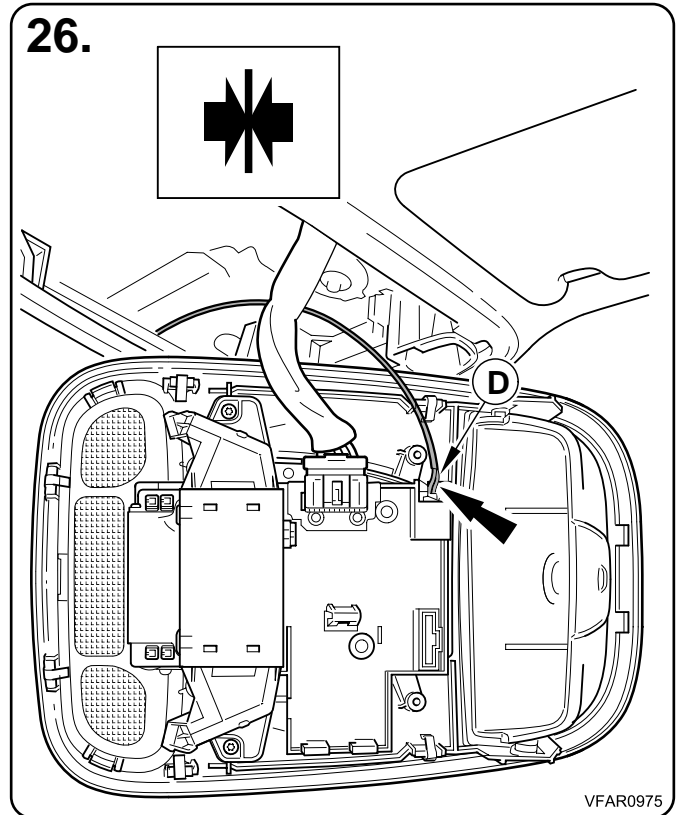
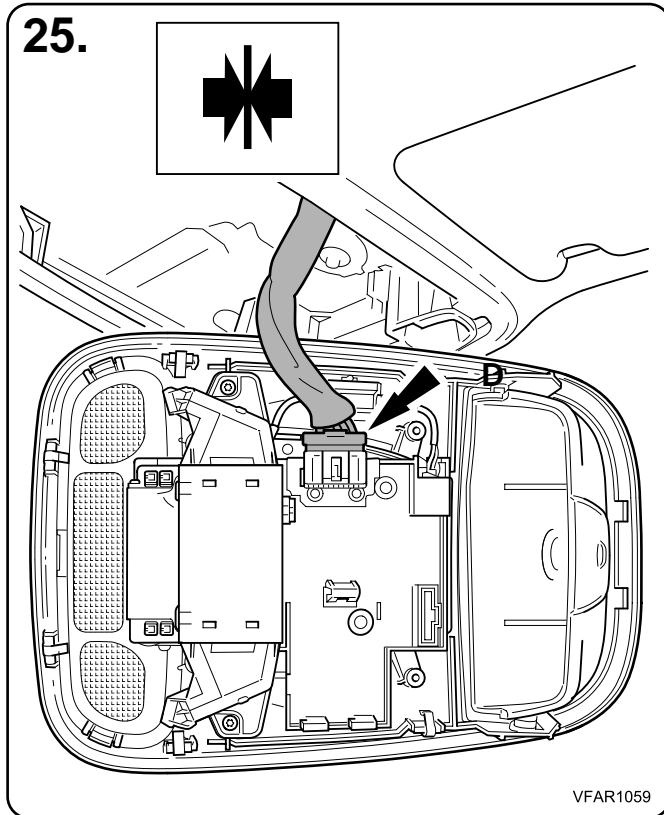
24. Fully fit microphone.

24.



The XJ

Bluetooth Telephone System



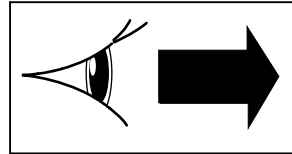


The XJ

Bluetooth Telephone System

Notes

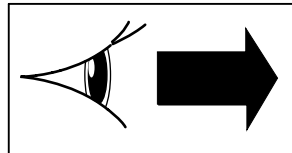
Telephone fitted.



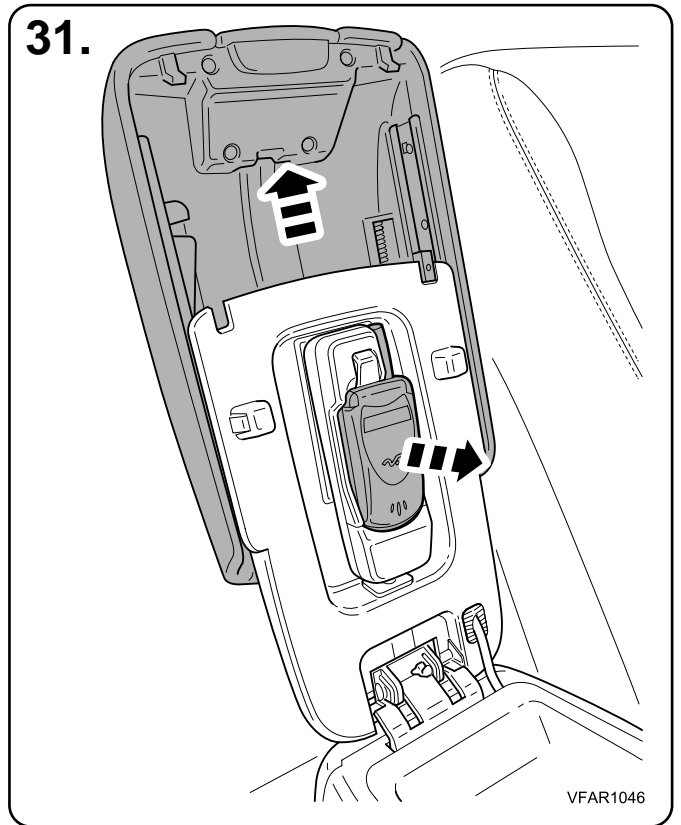
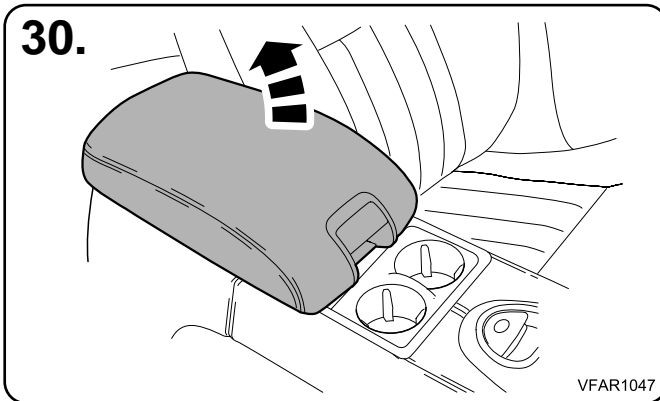
30.

Notes

No telephone fitted.

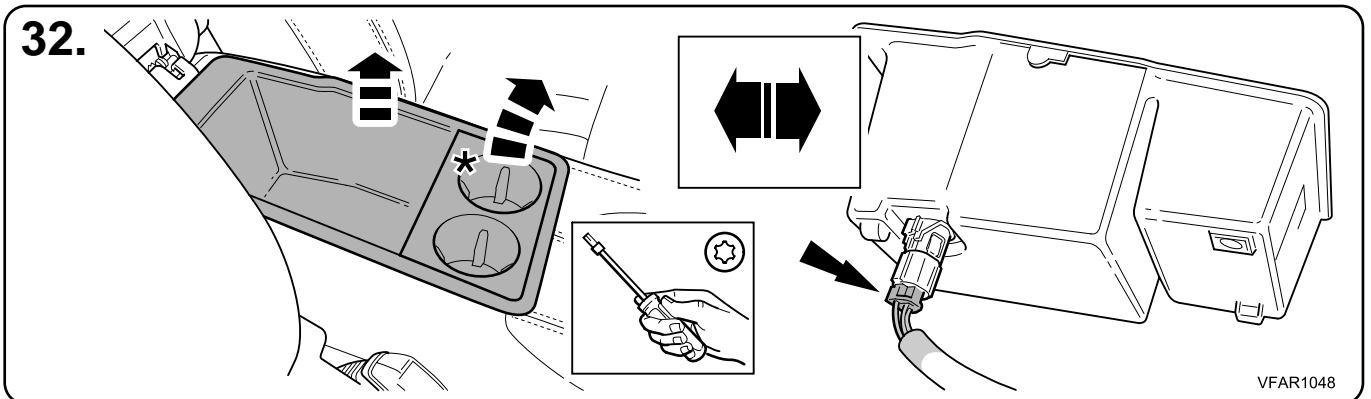


43.



Notes:

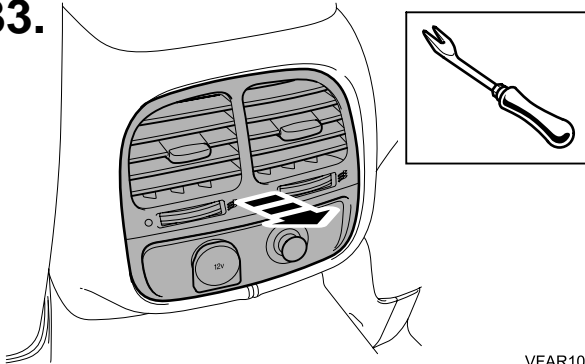
32. * Remove cup holder if fitted.



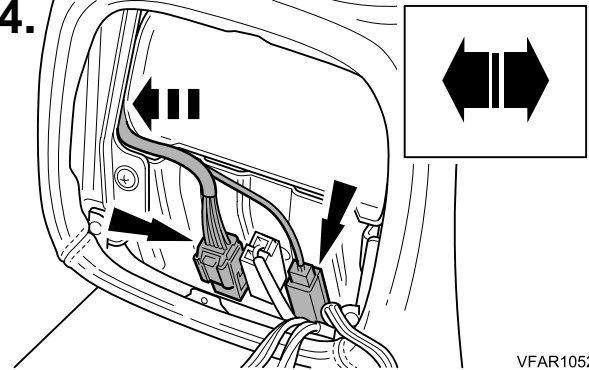
The XJ

Bluetooth Telephone System

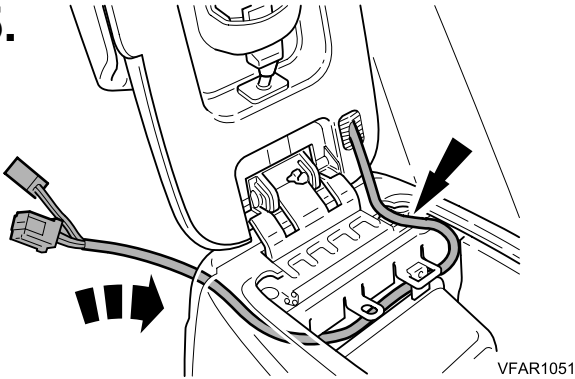
33.



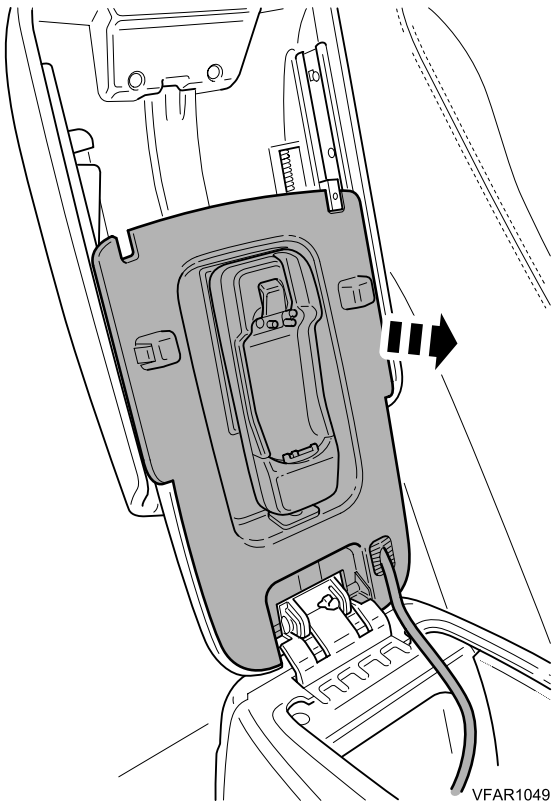
34.



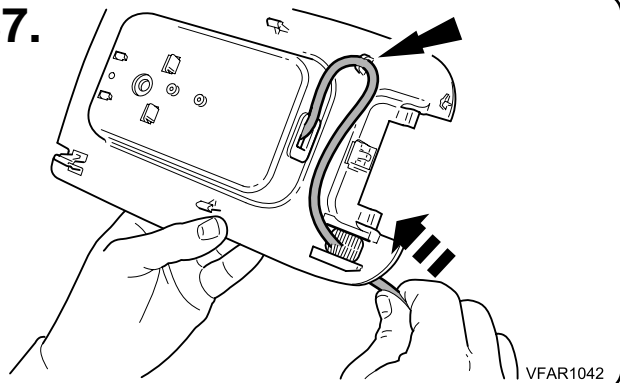
35.



36.



37.



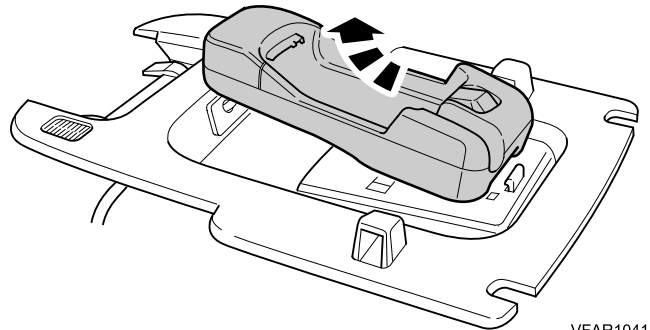
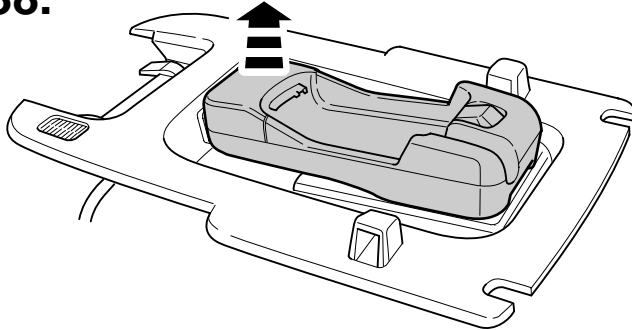


FITTING INSTRUCTIONS, INSTRUCTIONS DE MONTAGE,
EINBAUANLEITUNG, ISTRUZIONI DI MONTAGGIO,
INSTRUCCIONES DE MONTAJE, 取扱説明書

The XJ

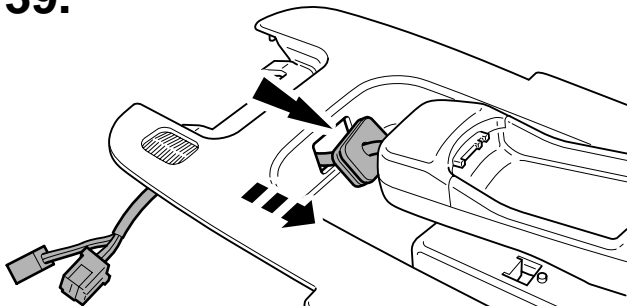
Bluetooth Telephone System

38.



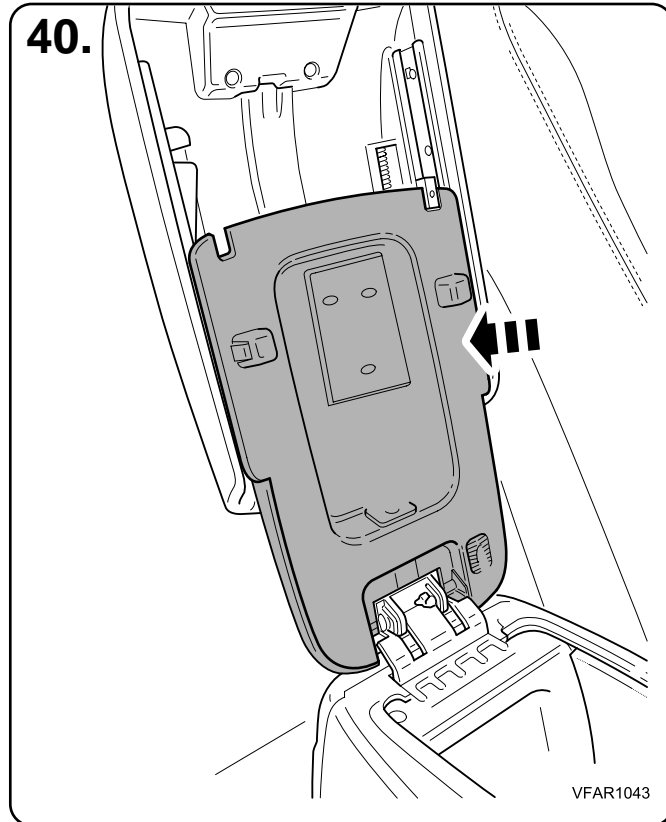
VFAR1041

39.



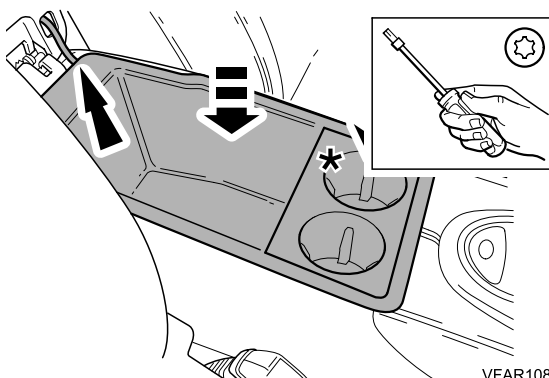
VFAR1040

40.



VFAR1043

41.



VFAR1085

Notes:

- 41. Reconnect auxillary power socket.
- * Refit cup holder, if fitted.

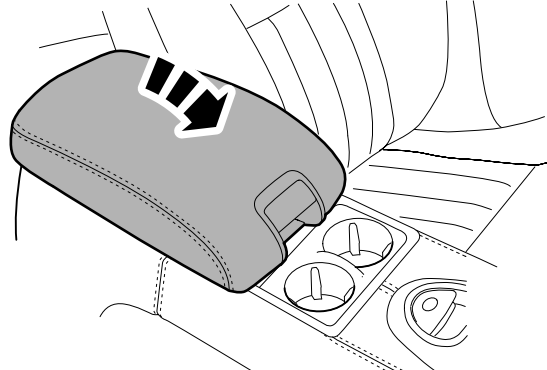
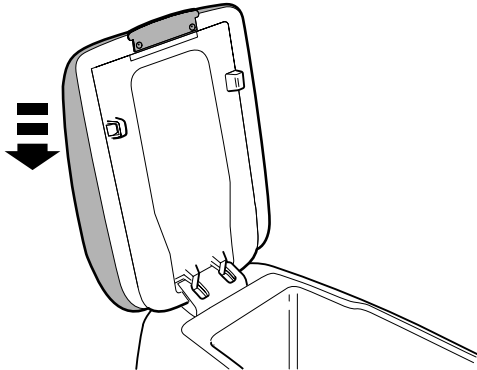


FITTING INSTRUCTIONS, INSTRUCTIONS DE MONTAGE, EINBAUANLEITUNG, ISTRUZIONI DI MONTAGGIO, INSTRUCCIONES DE MOTAJE, 取扱説明書

The XJ

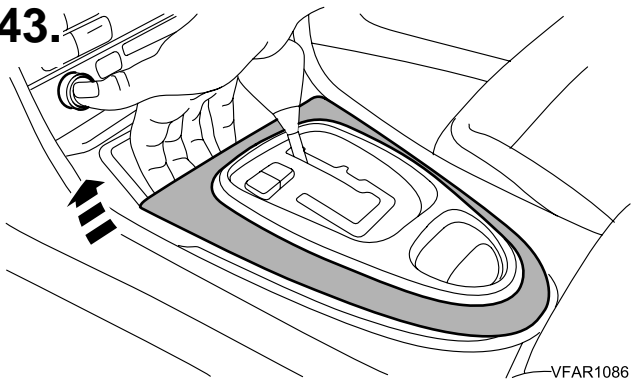
Bluetooth Telephone System

42.



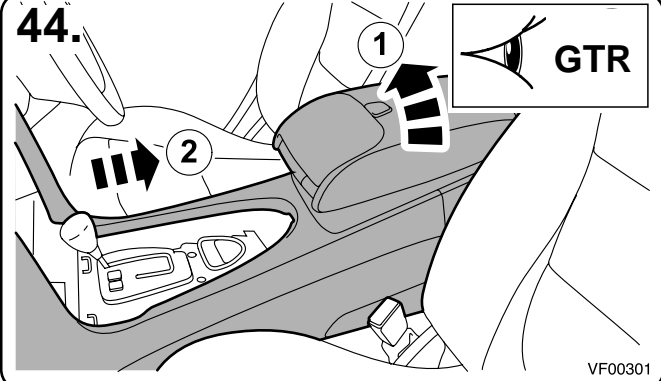
VFAR1035

43.



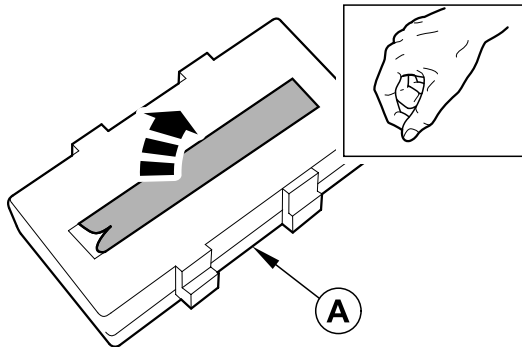
VFAR1086

44.



VF00301

45.



VFAR0904

Notes:

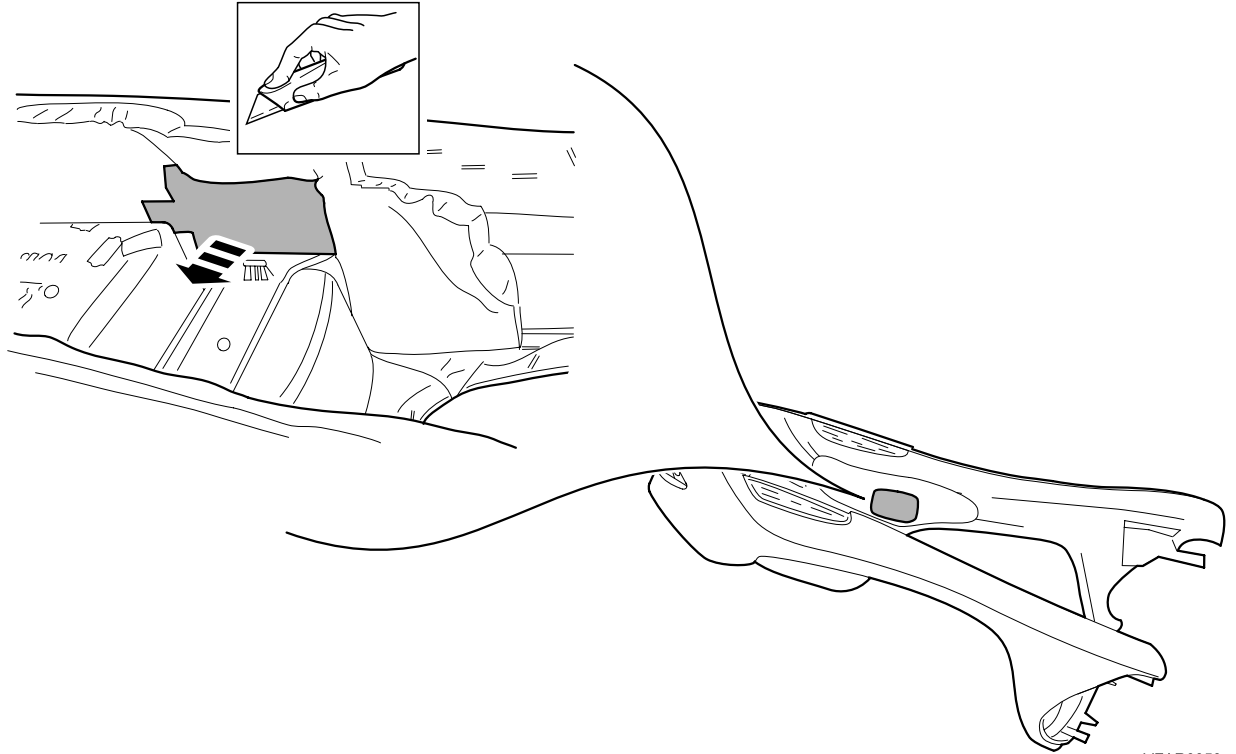
45. Remove the adhesive backing tape



The XJ

Bluetooth Telephone System

46.



VFAR0959

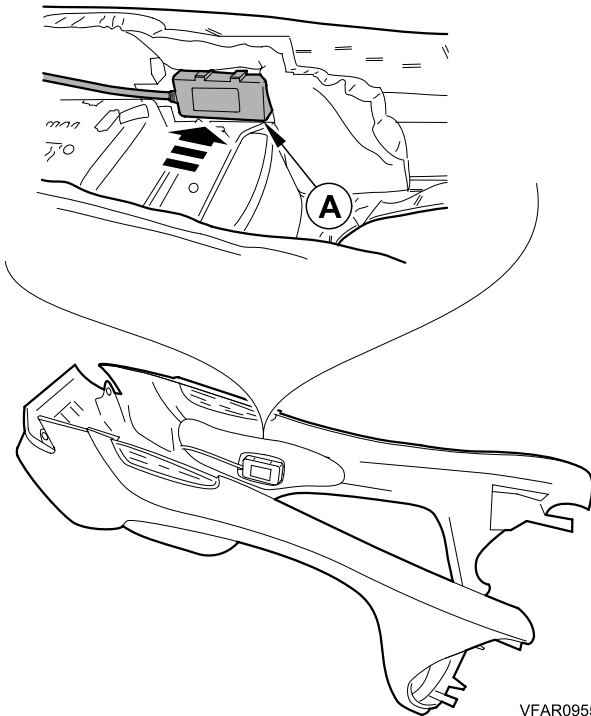
Notes:

46. Remove the area of sound deadening material,
from the centre console as shown.

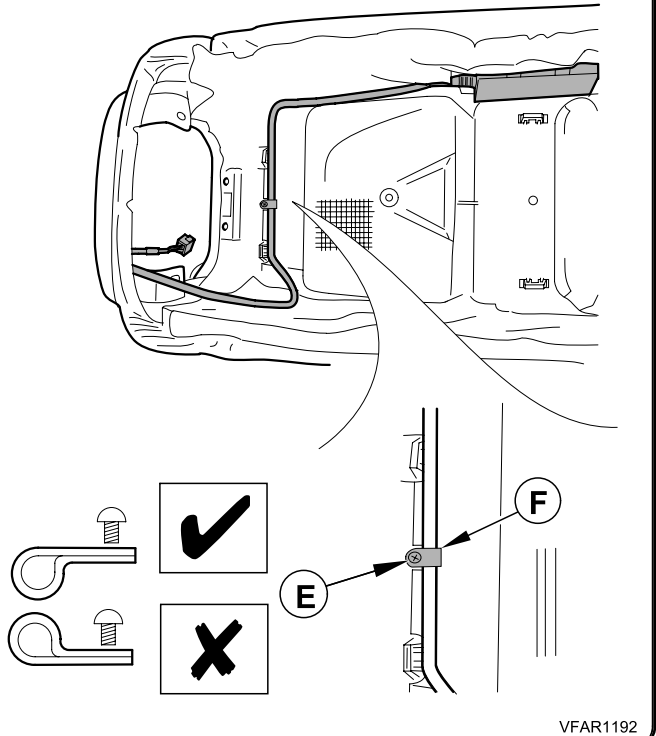
The XJ

Bluetooth Telephone System

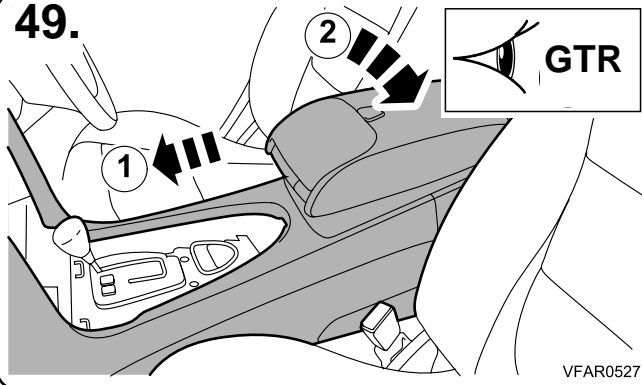
47.



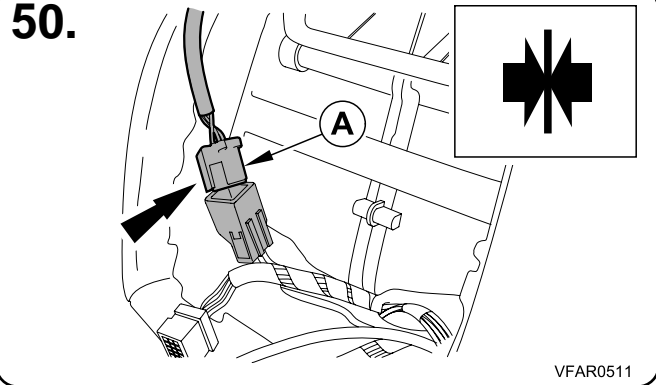
48.



49.



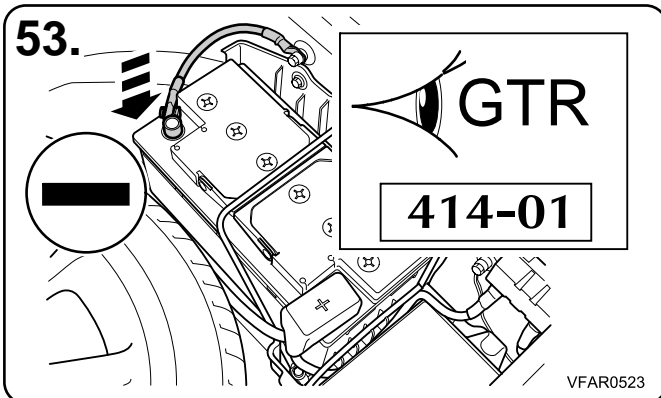
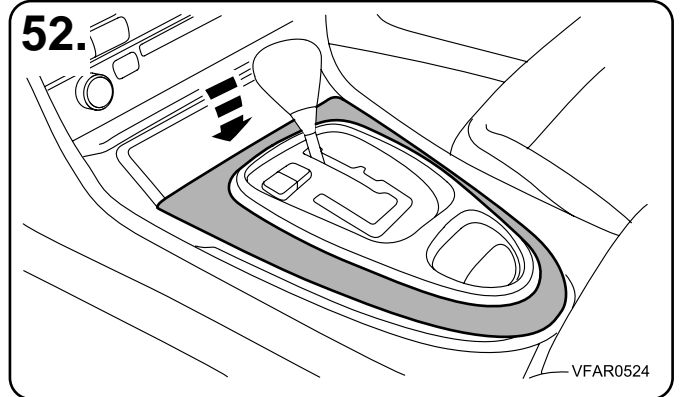
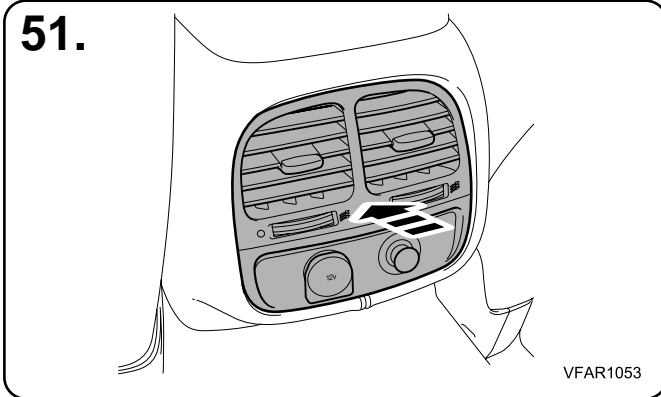
50.





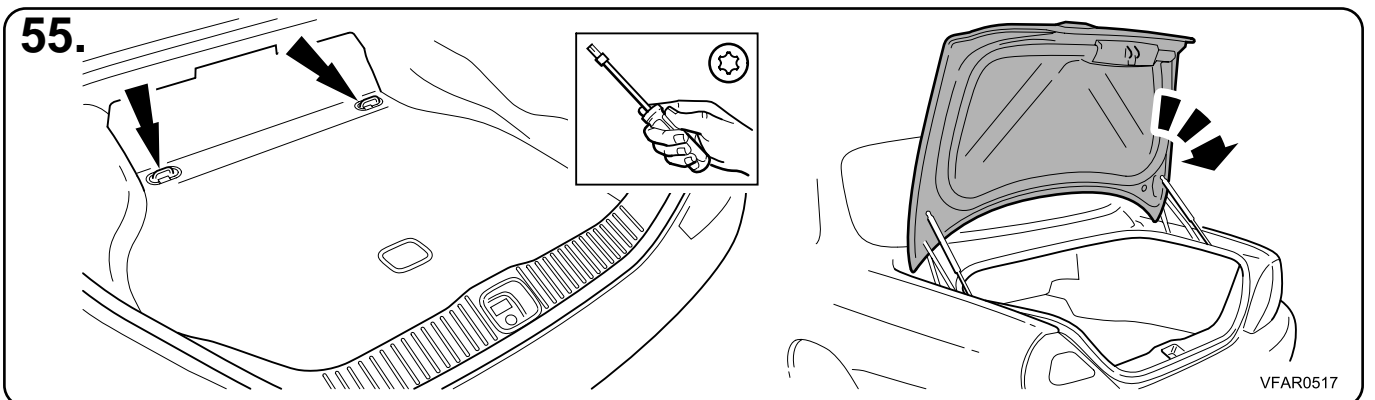
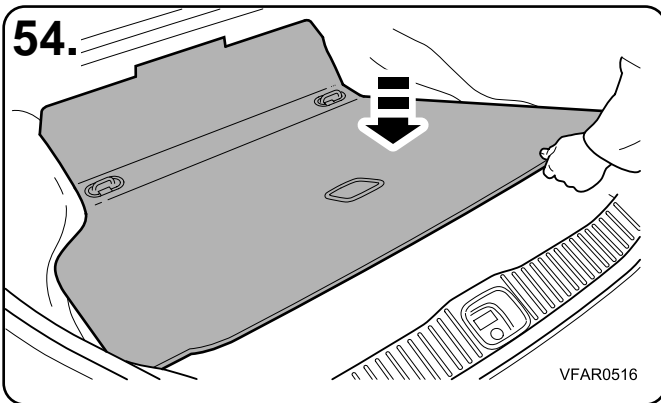
The XJ

Bluetooth Telephone System



Notes:

53. Refer to GTR / Drivers Handbook to ensure correct operations are carried out, relevant to battery disconnect and reconnect.

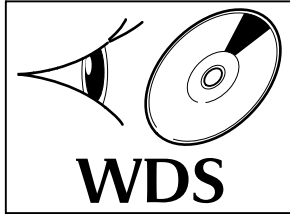




The XJ

Bluetooth Telephone System

56.



Notes:

56. If a new telephone module has been fitted. Refer to WDS. Dealer options, add and remove accessories.