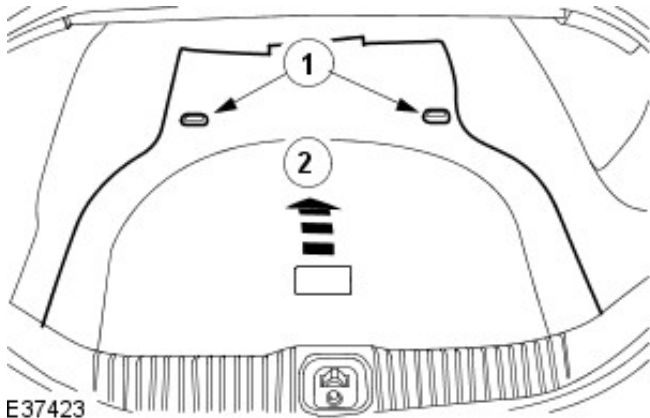


Bumpers - Rear Bumper Cover VIN Range: G00442->H18679

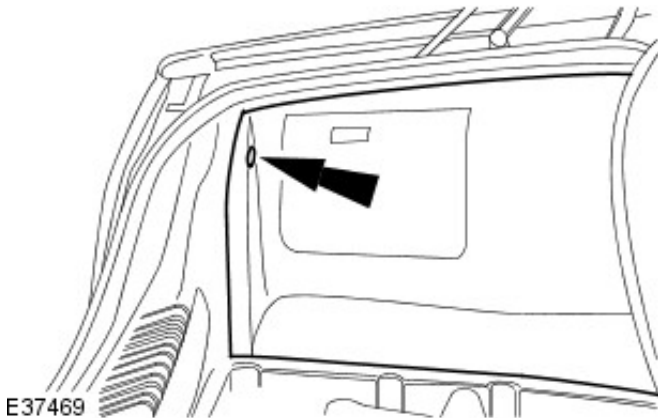
Removal and Installation

Removal

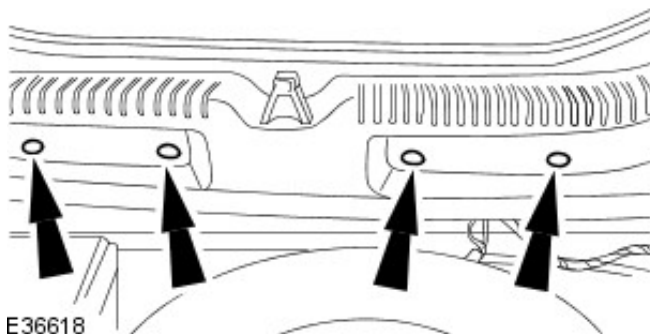
1. Raise and support the vehicle.
For additional information, refer to Section [100-02 Jacking and Lifting](#).
2. Remove the side marker lamps.
For additional information, refer to Section [417-01 Exterior Lighting](#).



3. Remove the luggage compartment floor covering.
 1. Remove the luggage compartment floor covering securing screws.
 2. Remove the luggage compartment floor covering.

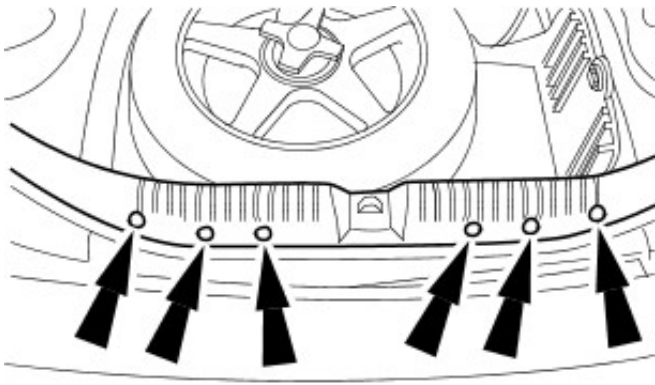


4. Remove the luggage compartment side trim panel.



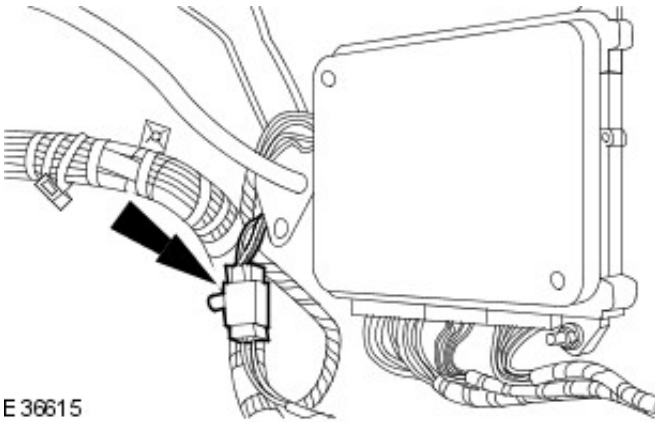
5. Remove the rear luggage compartment trim retaining screws.

6. Remove the rear luggage compartment trim.
 - Remove the rear luggage compartment trim retaining clips.



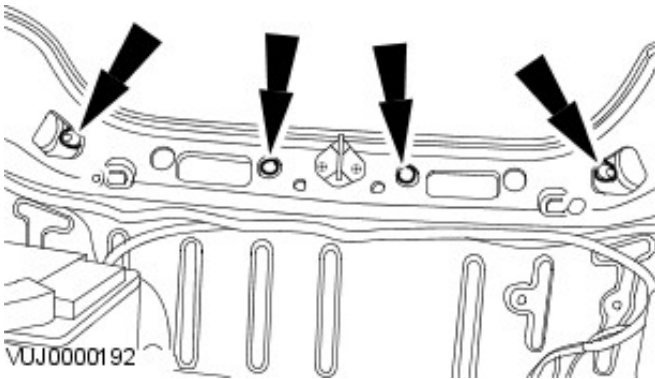
E36617

7. Disconnect the side marker and parking aid electrical connector.




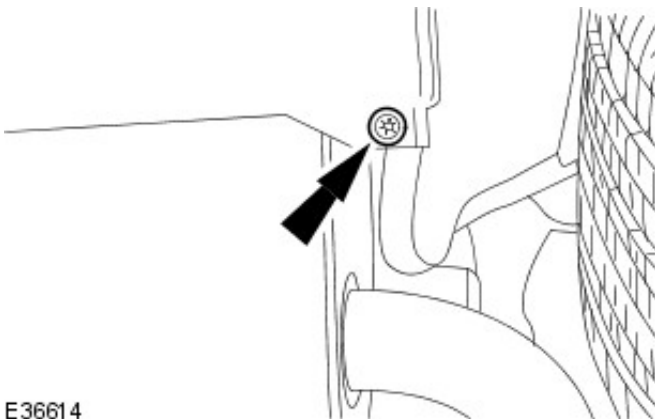
E 36615

8. Remove the rear bumper cover retaining bolts.



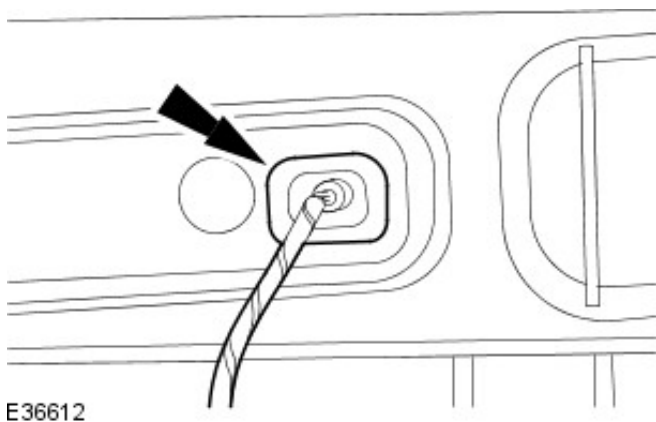
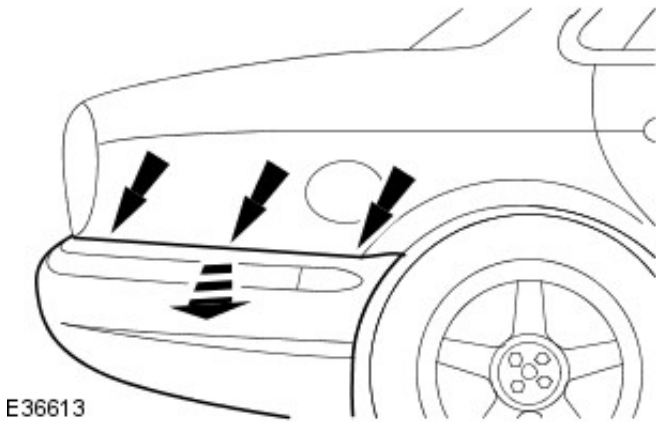
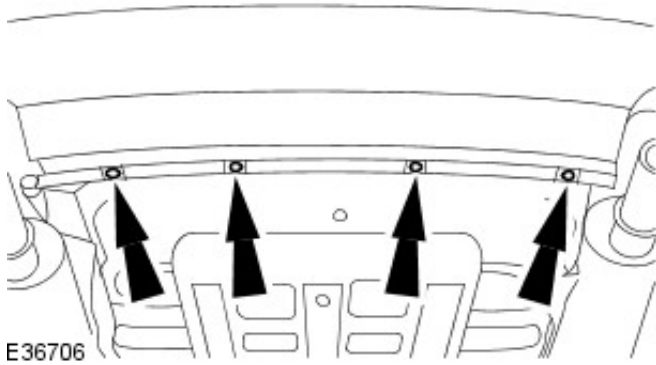
VOJ0000192


9.  NOTE: Left-hand shown, right-hand similar.
Remove the rear fender splash shield retaining screw.



E36614

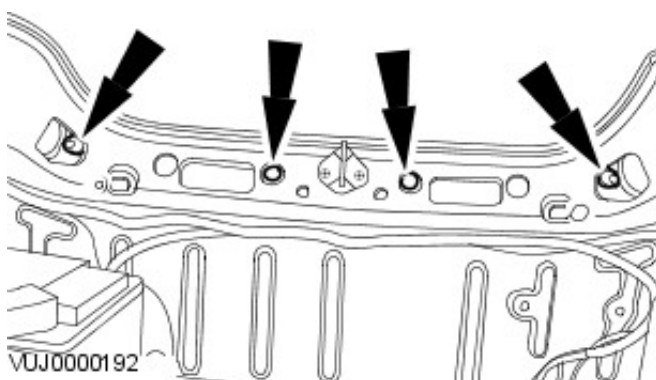
10. Remove the bumper cover lower retaining screws.



11.  **NOTE:** Left-hand shown, right-hand similar.
- Detach the rear bumper cover.
- Detach the bumper cover from the retaining clips.

12. Remove the rear bumper.
- Detach the wiring harness grommet from the rear quarter panel.

Installation



1. To install, reverse the removal procedure.
- Tighten to 6 Nm.