



BY APPOINTMENT TO
HER MAJESTY QUEEN ELIZABETH II
MANUFACTURERS OF JAGUAR AND JAGUAR CARS
JAGUAR CARS LIMITED COVENTRY



BY APPOINTMENT TO
HER MAJESTY QUEEN ELIZABETH II
THE QUEEN OF SWITZERLAND
MANUFACTURERS OF JAGUAR AND JAGUAR CARS
JAGUAR CARS LIMITED COVENTRY



BY APPOINTMENT TO
HER ROYAL HIGHNESS THE PRINCESS OF WALLS
MANUFACTURERS OF JAGUAR AND JAGUAR CARS
JAGUAR CARS LIMITED COVENTRY

The XJ

Driver's Handbook



JAGUAR CARS LIMITED, as manufacturer, is dedicated to the design and production of vehicles which meet the expectations of the world's most discerning purchasers.

This handbook forms part of the owner literature supplied with your vehicle. It is designed to complement the relevant features and systems of the vehicle, and make them easy to understand and operate.

The information contained in this handbook applies to a range of vehicles and not to a specific vehicle. For the specification of a particular vehicle, owners should consult their Jaguar Retailer.

The manufacturer reserves the right to vary its specifications with or without notice, and at such times and in such manner as it thinks fit. Major as well as minor changes may be involved in accordance with the Manufacturer's policy of constant product improvement.

To cover changes, it is sometimes necessary to issue one or more handbook supplements. When reading this handbook, check the owner literature for possible supplements.

For full details of the owner literature originally supplied with the vehicle, owners should consult their Jaguar Retailer.

All rights reserved. No part of this publication may be reproduced, stored in a retrieval system or transmitted, in any form, electronic, mechanical, photocopying, recording or other means without prior written permission from the Service Division of Jaguar Cars Limited.

Quick Overview

| | |
|--|------|
| Fascia Controls | ii |
| Warning Lamps | iii |
| Overhead Console | iv |
| Seats and Headrest Adjustment | iv |
| Steering Column Adjustment | iv |
| Entry/Exit Mode | iv |
| Pedal Adjustment | iv |
| Door Mirror Adjustment | v |
| Window Operation | v |
| Gearshift Interlock | v |
| Parkbrake | v |
| Exterior Lights | vi |
| Direction Indicators | vi |
| Trip Computer Reset Button | vi |
| Wipers and Washers | vi |
| Audio System (CD Player model) | vii |
| Climate Control | viii |

Filling Station Information

| | |
|----------------------------|----|
| Fuel Filling | ix |
| Hood Release | ix |
| Underhood Top Up | ix |
| Tyre Pressures | ix |

Section Contents

| | |
|-------------------------------------|----------|
| Owner Information | 1 |
| Security and Locks | 2 |
| Before Driving | 3 |
| On the Road | 4 |
| Climate Control | 5 |
| Roadside Emergency | 6 |
| Maintenance | 7 |
| Specifications | 8 |

A comprehensive index is located at the back of this handbook.

| | | | |
|---|------|---|------|
| Instruments | 4-3 | Horn | 4-40 |
| Warning Lights | 4-5 | Sunglasses Stowage | 4-40 |
| Audible Warnings | 4-10 | Rear Sunblind | 4-40 |
| Message Centre | 4-12 | Side Sunblinds | 4-41 |
| Trip Computer | 4-13 | Starting/Stopping the Vehicle | 4-42 |
| Messages | 4-16 | Automatic Transmission | 4-43 |
| Exterior Lighting | 4-23 | Sport Mode | 4-45 |
| Interior Lighting | 4-27 | Dynamic Stability Control (DSC) | 4-46 |
| Window Operation | 4-29 | Anti-lock Braking System (ABS) | 4-47 |
| Wipers and Washers | 4-31 | Cruise (Speed) Control | 4-49 |
| Sunroof | 4-33 | Adaptive Cruise Control (ACC) (Where fitted) | 4-51 |
| Parkbrake | 4-34 | Vehicle Suspension | 4-58 |
| Park Distance Control | 4-35 | General Driving Information | 4-59 |
| Interior Features | 4-37 | Winter Driving | 4-60 |
| Cigar Lighter and Ashtray | 4-37 | Touring | 4-61 |
| Sun Visors and Vanity Mirrors | 4-37 | Towing a Trailer | 4-62 |
| Centre Console | 4-38 | Fuel and Refuelling | 4-63 |
| Rear Armrest | 4-39 | | |



Owner Information

- General Information 1-3
- Warnings, Cautions and Notes 1-4
- Vehicle Identification 1-5
- Warranty 1-6
- Health and Safety 1-7
- Regular Servicing 1-8
- Window Tinting 1-9
- Mobile/Portable Telephones 1-9
- Floor mat retention 1-10





JAGUAR

General Information

Whether you are new to the Jaguar marque or have previously owned Jaguar vehicles, we are pleased that you have made Jaguar your choice of vehicle this time.

For safety and the pleasure you will get from your new vehicle, please take the time to get well acquainted with your vehicle by reading the handbooks. Please note that it is essential to refer to the XJ handbooks for complete operating and safety information.

When left-hand or right-hand is used in the text, this refers to the left-hand side or right-hand side of the vehicle, viewed from the rear.

Vehicle Handbooks



WARNING:

Remember to pass on the Vehicle Handbooks when reselling the vehicle. Handbooks are integral parts of the vehicle.

Jaguar Retailers

Jaguar Retailers are chosen with care. Each is dedicated to providing a Sales, Service and Spare Parts facility of the highest standard.

Jaguar Retailers are provided with full technical support from the factory, with comprehensive training for all their technicians.

Retailers' workshops operate to a high standard and have all the necessary tools and equipment essential to maintain or repair Jaguar vehicles.

Accessories

A full range of Jaguar Engineering approved accessories including safety, stowage, touring, leisure and lifestyle products are just some of those available from your Jaguar Retailer.

Please ask your Jaguar Retailer for an up-to-date brochure so you can select your requirements from the latest range.

Jaguar Body Repair Centres

Your Jaguar incorporates the latest technology in aluminium body structures.

A specialist network of vehicle Body Repair Centres is provided with full technical support from the factory, and with comprehensive training for all their body shop technicians.

The Body Repair Centres operate to a high standard and have all the necessary tools and equipment essential to repair Jaguar vehicles.

A current list of Body Repair Centres is included in the vehicle literature pack.

1-4 Owner Information

Genuine Jaguar Parts and Accessories

Your Jaguar Retailer can supply you with genuine replacement parts and accessories which are fully approved to Jaguar's original equipment specification.

This will ensure that the safety and performance of your vehicle is maintained for your complete peace of mind.

Please note that fitment of non-genuine parts may invalidate the vehicle warranty if a subsequent fault occurs due to fitting sub-standard replacement parts or accessories.

Jaguar parts distribution service

Jaguar Retailers stock a large number of parts to keep your vehicle maintained and back on the road as quickly as possible. Their service is supported by strategically positioned Jaguar parts distribution centers throughout North America providing next day delivery to the majority of Retailers.

Warnings, Cautions and Notes

Take particular note of WARNINGS, Cautions and Notes given throughout this handbook.



WARNING:

A warning is a procedure which must be followed precisely to help avoid the risk of personal injury.

Caution: A caution is a procedure which must be followed precisely to reduce the possibility of damage to the vehicle and resultant risk of personal injury or inconvenience.

Note: A note is a procedure which will help avoid difficulties in the operation of the vehicle.



Warning Symbols on the Vehicle

On encountering the warning triangle or open book symbol on the vehicle, it is important that before touching this part of the vehicle or attempting adjustments of any kind you consult the relevant section of this handbook.

Caution: Do not remove any warning labels from the underhood area or inside the vehicle.

If you believe that your vehicle has a defect which could cause a crash or could cause injury or death, you should inform the National Highway Traffic Safety Administration (NHTSA) (USA only) in addition to notifying Jaguar Cars.

If NHTSA receives similar complaints, it may open an investigation, and if it finds that a safety defect exists in a group of vehicles, it may order a recall and remedy campaign. However, NHTSA cannot become involved in individual problems between you, your Retailer, or Jaguar Cars.

To contact NHTSA, you may either call the Auto Safety Hotline toll-free at 1-800-424-9393 (or 366-0123 in Washington, D.C. area) or write to: NHTSA, U.S. Department of Transportation, Washington, D.C. 20590. To contact Jaguar Cars call 1-800 4 Jaguar.

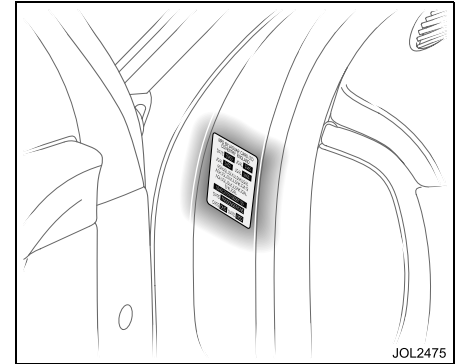
You can also obtain other information about motor safety from the Hotline.

Vehicle Identification

Vehicle identification number (VIN)

It is essential that the Vehicle Identification Number (VIN) is quoted in all correspondence and when ordering replacement parts.

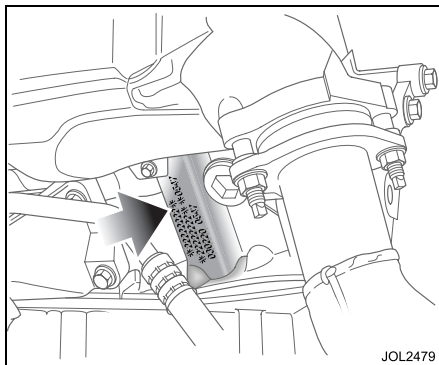
The number is visible from outside the vehicle, on a plate in the lower left edge of the windscreen.



Certification Label

Vehicles have the Certification Label adhered to the left-hand front door hinge post. Vehicle weights, paint code, manufacture date and the VIN are shown on this plate.

1-6 Owner Information



Engine number

V8: The number is located on the rear left-hand side of the cylinder block, adjacent to the transmission flange.

Transmission number

On a metal label or bar code label attached to the transmission casing.

Warranty

Details of the vehicle warranty are contained within the 'Passport to Service' booklet for USA and Canada or, for Mexico, the 'Service Record and Warranty book'.

Warranties (USA and Canada)

The 'Passport to Service' booklet contains warranties applicable to the vehicle, which include:

- The Limited vehicle Warranty.
- The Emission Control System Warranty and covered parts list.
- The Corrosion Warranty.

Tyres are not warranted by Jaguar Cars, but by the specific manufacturer of the tyres on the vehicle. Details of tyre warranties are included in the vehicle literature pack.

Warranties (Mexico)

The 'Service Record and Warranty' book contains warranties applicable to the vehicle, which include:

- The Limited vehicle Warranty.
- The Emission Control System Warranty and covered parts list.
- The Corrosion Warranty.

Health and Safety



WARNING:

1. Many liquids and other substances used in vehicles are poisonous and should never be consumed and must be kept away from open wounds. These substances include anti-freeze, brake fluid, fuel, windscreen washer additives, lubricants and various adhesives.
2. The presence of any unusual fumes (for example; petrol or exhaust fumes) in the passenger compartment and/or luggage compartment should be corrected immediately by a Jaguar Retailer. If you must drive under these conditions do so only with all windows fully open.
3. By operating other electronic equipment (for example; a mobile phone without an exterior antenna) electro-magnetic fields can cause malfunctions of the vehicle electronics. Therefore, you should observe the instructions of the equipment manufacturers.
4. Any modifications to the fuel system not specifically designed for this Jaguar are prohibited. Such modifications in some circumstances could result in a fire. All service actions must be entrusted to a Jaguar Retailer.
5. Alterations to the electrical system, including the fitting of accessories not designed for this Jaguar, will cause damage to the electrical circuits and systems. In some circumstances this could result in a malfunction or fire. All accessory work should be entrusted to a Jaguar Retailer.
6. No attempt should be made to repair a fuse that has blown. Always install a new fuse of the correct amperage. Failure to comply with the above may cause a fire hazard or create serious damage elsewhere in the electrical circuit.
7. Avoid contact with battery acid which is poisonous and corrosive. Acid will cause burns to the skin as well as to the eyes. In the event of skin or eye contamination, wash the affected area with water thoroughly. Seek immediate medical attention when eye contact has occurred.
8. Do not disconnect any pipes in the air conditioning refrigeration system. A refrigerant is used which can cause blindness if allowed to contact the eyes. If refrigerant should contact the eyes or skin, wash the eyes or affected area with cold water for several minutes. Do not rub. As soon as possible thereafter, obtain treatment from a doctor or eye specialist.
9. When working within the engine compartment, take care to avoid contact with moving parts and hot components.
10. California Proposition 65: Engine exhaust, some of its constituents, and certain vehicle components, contain or emit chemicals known to the State of California to cause cancer and birth defects or other reproductive harm.

1-8 Owner Information

Regular Servicing

Each vehicle is given a full 'Pre-Delivery Inspection' to ensure that all systems function correctly and that the vehicle meets its specification.

Owners are responsible for the regular maintenance and servicing of the vehicle. Jaguar Retailers will be pleased to arrange periodic servicing and can provide you with details of tasks carried out at each service interval.

Failure to implement maintenance at the recommended intervals could result in deterioration of vehicle performance and possible infringement of regulations.

Regular routine maintenance not only helps to prevent unnecessary 'breakdowns' and inconvenience, but enhances the 'trade in' or resale value of the vehicle.

Failure to perform regular maintenance at the correct interval may void the factory warranty.

USA and Canada

Jaguar Retailers will arrange for appointments on a mileage/kilometre or time interval basis to ensure that all routine and corrective maintenance work is undertaken and recorded in the 'Passport to Service' Booklet. This booklet not only contains a record of vital information, but also information about warranties, Jaguar Cars, Jaguar Car Clubs, Tyre Manufacturers and change of ownership or address vouchers.

Mexico

Jaguar Retailers will arrange for appointments on a mileage/distance or time interval basis to ensure that all routine and corrective maintenance work is undertaken and recorded in the Service Record and Warranty Book. This booklet not only contains a record of vital information, but also information about warranty and a change of ownership card.

Jaguar Diagnostic System

Many of the vehicle systems are controlled by complex electronic devices. Specialist equipment is required to trace and rectify faults in the systems and ensure that only faulty components are repaired or renewed.

Caution: Severe damage to the electrical system and electronic components can occur if any attempt is made to diagnose faults in the electrical system using conventional diagnostic equipment (for example; the use of test lamps or low impedance voltmeters). The fitting of any electrical accessory should only be entrusted to a Jaguar Retailer.

Protect the Environment

We must all play our part in protecting the environment. Correct vehicle usage and disposal of waste cleaning and lubrication materials are significant steps towards this aim.

Avoid using high engine speeds. You will then protect your engine, reduce fuel consumption, lower the engine noise level and help towards reducing the environmental burden.

Dispose of batteries, tyres, engine, brake and coolant fluids at your local authorised waste disposal facilities.

Window Tinting



WARNING:

Do not have your vehicle windows tinted with a metal oxide tinting (for maximum heat reduction from sun load).

Metal oxide tinting prevents the reception of the Global Positioning Satellite (GPS) signals by the antenna causing the navigation system to stop functioning.

Metal oxide tinting also prevents the reception of the Remote Keyless Entry (RKE) signals by the antenna, causing reduced operation of the arming/disarming/locking/unlocking system of the vehicle.

A non-metal tinting should be used if you require window tinting and if in doubt, contact your Jaguar Retailer for advice.

Window marking

It is a worthwhile precaution to have the vehicle registration number etched into each window glass by a Jaguar Retailer.

Mobile/Portable Telephones



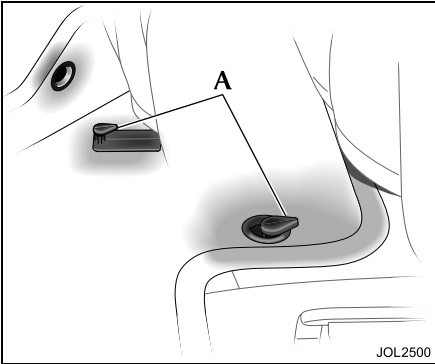
WARNING:

Using a mobile/portable telephone without an exterior antenna is not recommended when driving as the electro-magnetic fields produced can cause malfunctions with the vehicle electronic systems.

Check the laws and regulations on the use of cellular telephones in the areas where you drive. Always obey them. Also, give full attention to driving.

Use hands-free operation (if fitted) and pull off the road and park before making or answering a call, if driving conditions so require.

1-10 Owner Information



Floor mat retention

Ensure that the driver floor mat is correctly positioned and secured under the tongue on the retention post (A), so that it does not interfere with the operation of the accelerator pedal or the brake pedal.

The positioning of the mat should be especially checked when refitted after removal for cleaning or servicing.



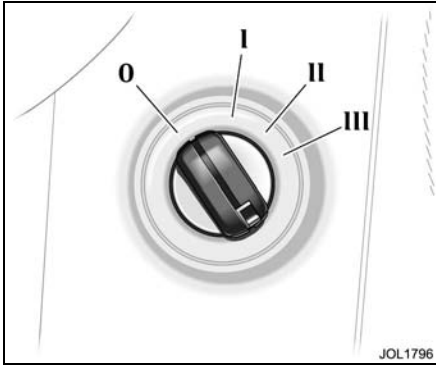
JAGUAR

- Ignition Switch 2-3
- Vehicle Security 2-4
- Key Transmitter 2-4
- Keys 2-7
- Door Locks and Handles. 2-8
- Alarms and Audible Signals. 2-15
- Security Features 2-17
- Luggage Compartment Emergency Release 2-19
- Garage Door Opener Transceiver 2-20





JAGUAR



Ignition Switch

The fascia-mounted ignition switch, on the right-hand side of the steering column, has four key positions:

- 0. Ignition OFF – This is the only position in which the key can be inserted and removed.
- I. Auxiliary – Allows use of some electrical circuits, for example, radio and window operation (accessory delay only).
- II. Ignition ON – All electrical circuits except the starter motor are activated. The key remains in this position when driving.

- III. Engine start – The starter motor is operated for as long as the key is held in this position, against spring pressure.

When the key is turned back to the OFF position, the delayed accessory feature becomes active.

The circuits available in the auxiliary position remain activated for a preset timed period or until a front door is opened.

To Remove the Ignition Key

Automatic transmission vehicles have a key interlock feature.

Apply the electronic parkbrake, move the gear selector to the Park 'P' position and turn the key to position '0'.

The automatic transmission gear selector must be placed in Park 'P' before the key can be removed from the ignition switch.

When the key is removed, the gear selector will be locked in Park.

Steering Column Lock

The steering column lock is controlled by the ignition switch.

When the key is removed from the ignition switch, you will hear the steering column lock engage.

When the key is inserted into the ignition switch, you will hear the steering column lock disengage.

In rare circumstances, it may be necessary to gently turn the steering wheel from side to side to release the steering column lock.

Gearshift Interlock

A brake pedal/gearshift interlock system is incorporated in the automatic transmission gear selector mechanism.

To move the gear selector from Park:

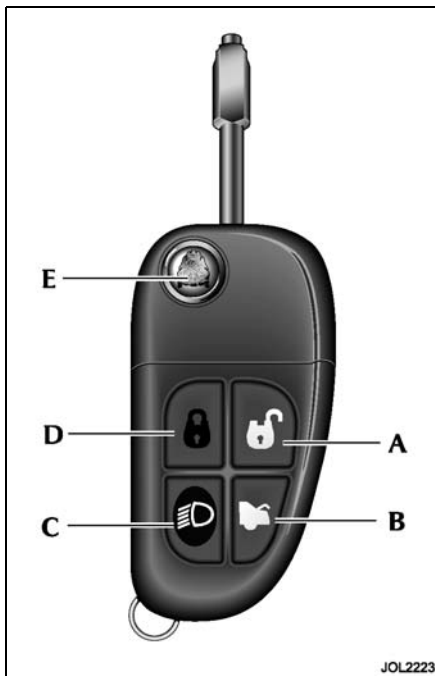
1. Turn the ignition key to position 'II' or start the engine.
2. Press the brake pedal.

2-4 Security and Locks

Vehicle Security

When the vehicle is unoccupied or unattended, you are advised to do the following:

- Apply the electronic parkbrake and move the gear selector to the Park 'P' position.
- Do not leave children or pets in the vehicle unattended.
- Do not leave luggage or valuables on display.
- Remove all keys, including remote transmitters, from the vehicle prior to locking the doors, even when the vehicle is in your garage.
- Close all windows, hood, luggage compartment and glove compartment, and lock all the doors.
- Park the vehicle where it can be seen. At night, park in a well-lit area.
- It is important to keep your keys in safe places at all times. Leaving them in conspicuous places is an invitation for a thief to steal them and, consequently, your vehicle or belongings. Keep them as secure as you would your wallet or purse, both at home and away.



Key Transmitter

The security system is controlled remotely by a radio frequency, battery-operated, integrated transmitter key.

The transmitter is activated by pressing one of the operating buttons.

(A) – Unlocks and disarms the vehicle.

(B) – Releases the luggage compartment lock.

(C) – Activates the convenience headlamp feature and sounds the panic alarm.

For further information on the convenience headlamp feature, see **Headlight convenience** on page 4-24.

(D) – Locks and arms the vehicle.

(E) – Locks/unlocks the key.

To free the key, press the release button (E). When not required press and hold the button and fold the key into the transmitter housing.

Note:

1. The key transmitter may not operate correctly in areas which are subject to interference from other radio equipment operating on the same frequency. Interference may emanate from sources such as amateur radio, telecommunications devices, medical equipment, and other remote controls or alarms. Where such interference is experienced operate the key transmitter as close as possible to the vehicle, or use the key in the drivers door lock.
2. All buttons on the key transmitter will not operate if a key is in the ignition switch, however, if the doors, hood or luggage compartment are open, only button (D) will not operate.

Each integrated key will operate all the locks on your vehicle.

Additional integrated key transmitters can be ordered from your Jaguar Retailer. See **Additional keys** on page 2-7.

Care of key transmitters

The key transmitters must be treated with care. Do not expose to extremes of heat, dust, humidity or fluids. Do not leave the transmitter exposed to direct sunlight. The battery is the only serviceable part.

Caution: Should a key transmitter be lost, a new one can be obtained and programmed to the vehicle by a Jaguar Retailer, who will ask for proof of vehicle ownership. It is advisable to notify a Retailer as soon as a key transmitter is lost or stolen and have the remaining key transmitter(s) reprogrammed. This will then prevent the lost or stolen key transmitter from being used to disarm and unlock the vehicle.

Note: Retailers keep a log of all enquiries for replacement keys and notify Jaguar Cars Ltd. of any such requests.

Radio Frequency

The radio frequency remote system operates on a frequency subject to USA Federal Communications Commission (FCC) rules.

The device complies with Part 15 of the FCC rules and RSS-210 of the Industry Canada.

Operation is subject to the two following conditions:

1. The device may not cause harmful interference.
2. This device must accept any interference received, including interference that may cause undesired operation.

The key transmitter radio frequency approval numbers for the USA and Canada are as shown below:

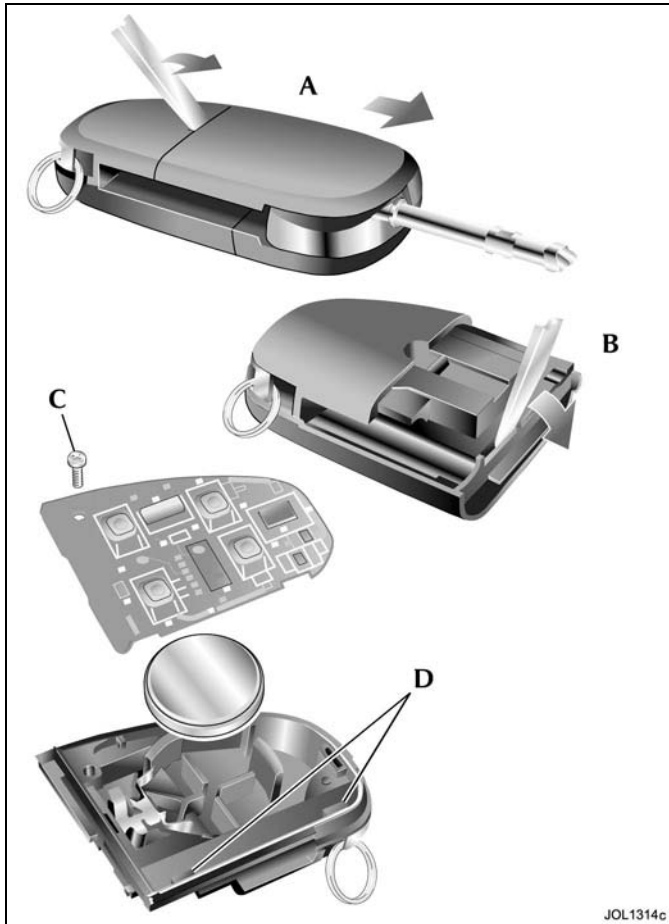
USA – NHVWB1U241.

Canada – 3495 103 2304.

Note: The manufacturer is not responsible for any radio interference or TV interference caused by unauthorised modifications to this equipment. Changes or modifications not expressly approved by the party responsible for compliance could void the user's authority to operate the equipment.

Caution: The key-ring transmitter may suffer interference from other legal users of this radio frequency band, such as radio amateurs, medical equipment, remote controls or alarm systems. To lock or unlock the vehicle either use a key or operate the transmitter as close to the security antenna as possible.

2-6 Security and Locks



Key transmitter battery renewal

When the battery needs renewal there will be a significant decrease in the effective range of the key transmitter. To renew the battery, follow the procedure below:

- Insert a small, flat-blade, screwdriver at an angle of about 45 degrees, into the slot on the back of the key transmitter as shown (A). Apply light pressure to the screwdriver and lever the screwdriver forward to separate the two halves of the key transmitter. Finally, pull the transmitter from the key body.
- Insert the screwdriver into the slot between the transmitter covers adjacent to the key stowage area as shown (B). Apply light pressure to the screwdriver and lever the screwdriver downward to separate the covers.
- Unscrew and remove the small screw (C) and remove the printed circuit board, taking care not to touch the battery terminals. Remove the battery and dispose of it safely.
- Fit a new battery cell, type CR2032 (available from your Jaguar Retailer), with the side marked with the positive symbol (+) downwards in the battery receptacle. Avoid touching the new battery as moisture/oil from the fingers can reduce the life of the battery and corrode the contacts.
- Replace the printed circuit board making sure to engage the board under the securing tabs (D), and secure with the screw.
- Refit the cover and click into place with thumb pressure.
- Slide the transmitter back onto the key body until it clicks into place.

Keys

Vehicles are supplied with two integrated transmitter keys and one green-headed valet key. Additionally, black-headed keys are available and for further details, contact a Jaguar Retailer.

Integrated transmitter key

The integrated transmitter key is comprised of the key body, which is integrated with a remote transmitter. The key operates all the locks on your vehicle.

Green-headed valet key

The green-headed valet key is not integrated with a remote transmitter. The key operates the driver's door lock and the ignition switch, but does not operate the luggage compartment lock.

Black-headed key

The black-headed key is not integrated with a remote transmitter, but it does operate all the locks and the ignition switch on your vehicle. The key is not supplied with your vehicle.

Additional keys

Five additional keys can be programmed to operate the locks on your vehicle.

Note: A maximum of three additional integrated transmitter keys can be used. All additional keys must be obtained from and programmed by, a Jaguar Retailer.

Key number label

The key number is recorded on an adhesive label which is affixed to the rear of the integrated transmitter keys. Peel off the label and keep safely, not in the vehicle.

Immobilisation System

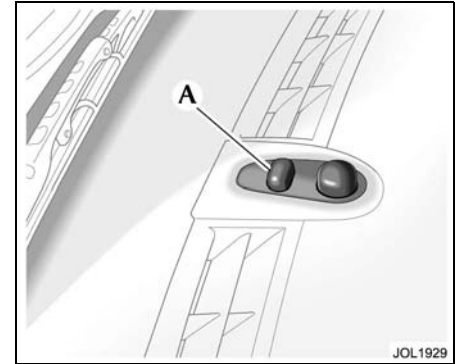
This vehicle is fitted with an immobilisation system. The system prevents the vehicle being driven away by unauthorised persons. The features of the system include the following:

Programmable key

An electronic device is fitted in the head of each key which is programmed to the vehicle electronic systems.

When a programmed key is inserted into the ignition switch it is recognised and accepted by the vehicle's electronic systems.

The engine cannot be started with a key that is not programmed to the vehicle electronic systems.



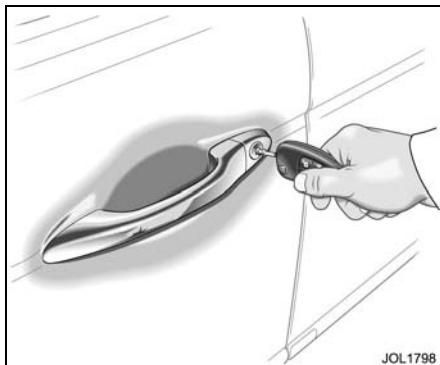
Immobilisation system status light

The immobilisation system status is shown by a Light Emitting Diode (LED), which is located on the top surface of the fascia panel (A).

If an ignition key is put into the ignition switch and turned to position 'II', and the LED remains flashing after three seconds, it is possible that the engine will not start.

Should this occur, please contact a Jaguar Retailer, who will investigate the cause of the flashing LED.

2-8 Security and Locks



Door Locks and Handles

All doors can be centrally locked and unlocked remotely, using the key transmitter buttons.

Only the driver's door is equipped with an external key lock, which activates the central locking and the two-stage unlocking.

Vehicle Locking and Unlocking

Lock the vehicle and set the alarm

- Ensure windows and sunroof (if fitted) are fully closed.

- Press the lock button on the key transmitter, or;
- Put the key in the driver's door lock, turn the key towards the rear of the vehicle and release.

The direction indicators will flash once, a chirp will be heard (if enabled) and the security light (located on the top surface of the fascia) will start flashing.

After 20 seconds, the alarm will be set.

If a door, the hood or the luggage compartment are open and an attempt is made to lock the vehicle, the direction indicators will flash five times (if enabled) and/or an audible warning will sound twice as a warning that the vehicle is not secure.

Note: The security system will not arm if a key is in the ignition switch. If a key is used in the drivers door lock and turned towards the front of the vehicle then released when an aperture is ajar, the security will arm (2 error tones (if enabled), or five flashes of the direction indicators (if enabled) will be emitted).

The security system will arm, but will not monitor the aperture that is ajar until it has been fully closed.

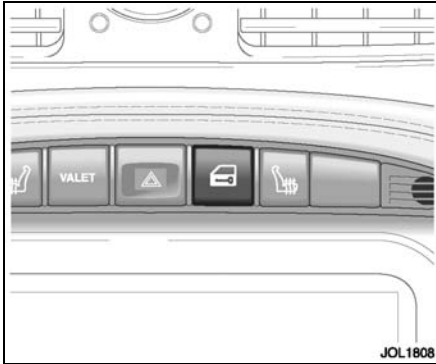
Drive-away door locking

With the ignition key at position 'II' and all the doors closed, all doors will lock when the gear selector is moved from position 'P' or 'N'. The gear selector has to be moved from 'P' or 'N', and into a different gear, for longer than one second.

If the vehicle is stopped and a door is opened and subsequently closed, the doors will lock again when the gear selector is moved from position 'P' or 'N', and into a different gear.

If the vehicle is stopped and a door is opened and subsequently closed, but the gear selector is not moved from position 'P' or 'N', or the current gear position the doors will remain unlocked.

All vehicles have the drive-away door locking feature installed during manufacture. This feature can be disabled, or reinstated, by a Jaguar Retailer, if required.



Central locking switch

With the ignition switch in either position 'I' or 'II' and all the doors closed and unlocked, one press of the switch will lock all of the doors and inhibit the luggage compartment.

With the ignition switch in either position 'I' or 'II' and all the doors closed and locked, one press of the switch will unlock all of the doors and allow access to the luggage compartment.

If the vehicle is unlocked, press and hold the switch for more than two seconds to centrally lock the vehicle and close all the windows and sunroof (if fitted). Releasing the switch will halt the operation of the windows and sunroof (if fitted).

If the vehicle is locked, press and hold the switch for more than two seconds to unlock the vehicle and open all the windows and sunroof (if fitted). Releasing the switch will halt the operation of the windows and sunroof (if fitted).

Note: All windows must be 'taught' to the vehicle for this function to operate. See **Window Operation** on page 4-29.

If the central locking switch is pressed when the ignition switch is not in position 'I' or 'II' the security systems inclination and intrusion sensors (if fitted) will not operate for one arming period. The security LED in the fascia will flash for 5 seconds to indicate that this has occurred.



WARNING:

1. **Make sure that all occupants are kept clear of the windows and sunroof aperture (if fitted).**
2. **When an interior door release lever is pulled, the door will unlatch.**

After using the central locking switch, it may be necessary to press the switch again or pull a front door interior release lever to unlock the vehicle.

Smart locking

This feature helps prevent locking the key in the vehicle.

If a door is open or ajar and an attempt is made to lock the doors using a front door interior locking lever, all doors will centrally lock and then centrally unlock.

If a door is open or ajar and an attempt is made to lock the doors using a rear door interior locking lever, only the door on which the lever is operated will lock, the remaining doors will remain unlocked.

If a door, hood or luggage compartment is open, the vehicle can only be locked from the outside by using a key in the driver's door lock.

Note: An audible and/or visual error warning will be given.

It will not be possible to lock the vehicle with a key transmitter if a door, luggage compartment or hood is open, or a key is left in the ignition.

2-10 Security and Locks

Global closing



WARNING:

Make sure that all occupants are kept clear of the windows and sunroof aperture (if fitted).

Key in the driver's door: Turn and hold the key towards the rear of the vehicle, for more than 2 seconds duration, to close all the electrically operated windows and sunroof (if fitted). If the key is released, the global closing action stops immediately.

Global opening

Key in the drivers door: Turn and hold the key towards the front of the vehicle for more than 2 seconds duration, to open all the electrically operated windows and sunroof (if fitted).

If the key is released, the global opening action stops immediately.

Key transmitter: Press and hold the unlock button for longer than 2 seconds to open all the electrically operated windows and sunroof (if fitted – one shot operation). Pressing any button again while global opening is taking place will stop all movement.

Unlock the vehicle and disarm the alarm using a key transmitter

- Press the unlock button on the key transmitter.

Single-stage unlocking

This unlocks all doors and the luggage compartment and turns the interior lights on. The security LED stops flashing. The direction indicators will flash twice and two audible tones will be given (if enabled) to indicate that the system is disarmed.

Two-stage unlocking

This unlocks the driver's door, the luggage compartment and turns on the interior lights. This will also disarm the system if it was armed, the direction indicators will flash twice and two audible tones will sound (if enabled), and the security LED stops flashing. A second press is required to unlock all doors (Retailer programmable or key fob selectable).

Selecting single-stage or two-stage unlocking

The procedure for changing from single-stage to two-stage unlocking (if enabled), or vice versa, is as follows:

- Press and hold the lock and unlock buttons on the key transmitter simultaneously for four seconds.

Note:

1. The direction indicators will flash twice and two chirps will be heard (if enabled) to confirm the unlocking action.
2. To revert to the previous condition, repeat the procedure described above.
3. For operation of the two-stage unlocking feature when the vehicle is equipped with a touch-screen, please refer to the Touch-screen Handbook.

Unlock the vehicle and disarm the alarm using a key

Single-stage unlocking: Put the key in the driver's door lock, turn the key towards the front of the vehicle and release. This will unlock all the doors, the luggage compartment is un-inhibited, and turn on the interior lighting. This will also disarm the system if it was armed, the direction indicators will flash twice, and the security LED will stop flashing.

Two-stage unlocking: Put the key in the driver's door lock, turn the key towards the front of the vehicle and release.

This will unlock the drivers door, un-inhibited the luggage compartment and turn on the interior lighting. This will also disarm the system if it was armed, the direction indicators will flash twice and the security LED will stop flashing.

Turning the key towards the front of the vehicle a second time will unlock all the remaining doors.

Direction Indicator Unlock Alerts

The exterior direction indicators give two flashes and two audible chirps sound as unlocking takes place.

Note: If a fault exists with the intrusion sensing or inclination sensing systems (if fitted) when the vehicle is disarmed a warning will be given. The exterior direction indicators will flash twice accompanied by two audible sounds (if enabled) followed approximately one second later by another flash from the direction indicators and two audible tones.

For further information, contact your Jaguar Retailer.

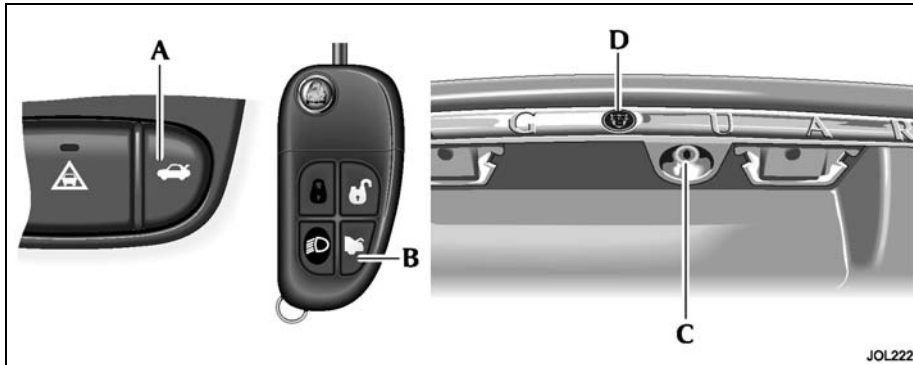
Auto-relocking (Retailer Enable Option)

This feature automatically centrally locks and arms the vehicle (if security and auto-relock are enabled) if the vehicle has been unlocked with the key transmitter having been previously locked and the security system armed:

- And no door, hood or luggage compartment has been opened in the last 45 seconds after the remote unlock operation or,
- If the ignition remains off for 45 seconds after the remote unlock operation.

Note: This feature can be enabled or disabled, by a Jaguar Retailer, as required.

2-12 Security and Locks



Luggage Compartment (Trunk)

The luggage compartment is locked and unlocked electrically in conjunction with the doors.

Neither the luggage compartment lid release switch on the fascia nor the lid release button will operate whilst the vehicle is armed or in valet mode.

An attempt to operate these switches whilst in valet mode will result in an audible warning chime.

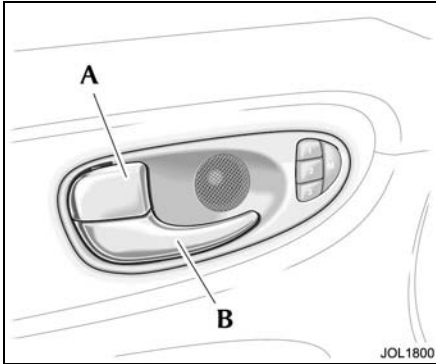
To open the luggage compartment, use any of the methods that follow:

- Press the luggage compartment lid release switch (A), which is located on the fascia switchpack. This switch will not operate if the vehicle speed exceeds 5 mph (8 km/h).
- Press the luggage compartment button (B) on the key transmitter.

Note: Button (B) will only operate with the gear selector in 'Park'.

- Insert a key into the luggage compartment lock (C), however, opening with the key when the vehicle is armed will cause the alarm system to start warning tones for seven seconds. Should this occur, press the transmitter unlock button, or place the key in the ignition to disarm the alarm system, otherwise after seven seconds the vehicle alarm will sound.
- With the vehicle unlocked, press the release button (D) on the luggage compartment lid. The button will not operate unless 'park' or 'neutral' have been selected and the vehicle is unlocked.

The luggage compartment locks automatically when the lid is closed.



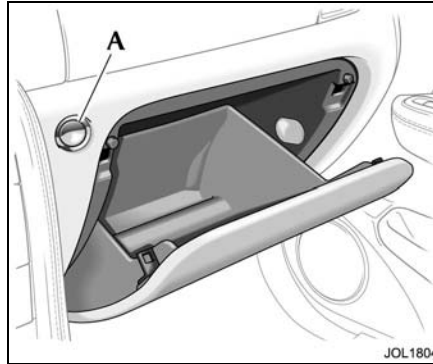
Internal door locking and unlocking

To centrally lock all doors, press the lock lever (A) on the driver's or front passenger's door. Each rear door will lock/unlock and open independently by operating the door release levers.

To unlock a front door, pull the release handle (B) or the lock lever (A). Handle (B) will open the door as well as unlocking it.

To unlock a rear door, pull lever (A) first, before attempting to open the door with handle (B). Handle (B) will not unlock the door unless lever (A) has been pulled out.

The driver's or front passenger's door lock lever will unlock all doors.



Note: Operating the locks more than 15 times within 20 seconds will cause the central locking to be inhibited for 20 seconds. If required, the locks may be operated individually during the 20 second waiting period.

Glove compartment

To open the glove compartment, press and release the button (A).

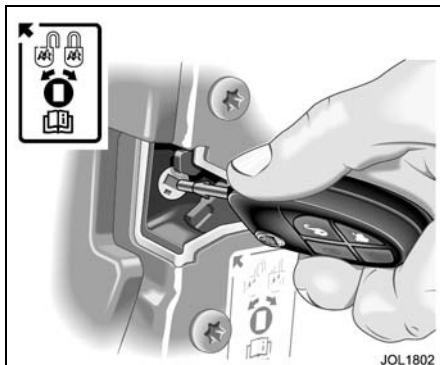
If the glove compartment release button is pressed more than 15 times within a 20 second duration, the glove compartment opening function will be inhibited.

It will then be necessary to wait for 20 seconds before the glove compartment opening function will be reactivated.

The glove compartment cannot be opened when the following conditions occur:

1. The vehicle is being driven using the green-headed valet key and valet mode has been selected or,
2. The vehicle is centrally locked via the remote transmitter, or via the drivers door key lock by turning the key towards the rear of the vehicle and releasing, or, after auto-relocking occurs.

2-14 Security and Locks



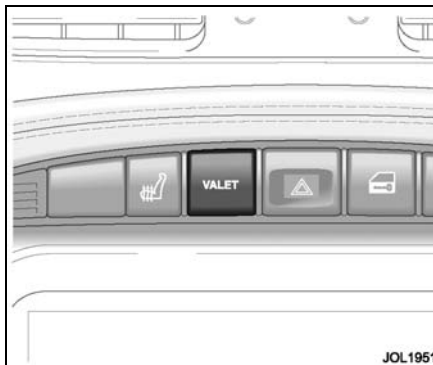
Child Safety Locks

Child safety locks are fitted to the rear doors.

Open a rear door, insert the ignition key into the lock and turn the key outwards. This immobilises that door interior handle. Repeat this for the opposite rear door.

After setting the child lock the door(s) can only be opened using the exterior door handle.

To remove the child lock feature, open the door and using a key, move the control to its original unlock position.



Valet Key Locking

Before locking the vehicle and handing the green-headed valet key to a parking attendant, press the valet switch to prevent the luggage compartment interior release switch, external luggage compartment switch, and the glove compartment switch from being used. When the valet switch is pressed an audible chime will be emitted.

If the key is in ignition position 'II' when the valet mode switch is pressed the message 'VALET MODE' will be displayed on the message centre. The vehicle can then be parked by an attendant who can lock the vehicle after parking, but cannot open the luggage or glove compartments.

The luggage compartment can then only be unlocked with the key transmitter. To cancel valet mode, press the key transmitter unlock button or manually unlock the luggage compartment with the key transmitter using the luggage compartment release lock.

When in valet mode each operation of the interior luggage compartment release switch, exterior luggage compartment switch or the glove compartment switch, will result in a chime being emitted which indicates that valet mode has been selected. If the ignition is set to position 'II' a message will appear on the message centre display indicating that an unauthorised attempt has been made to open the glove compartment or luggage compartment.

Note:

1. Do not use the green-headed key for normal driving as the luggage compartment and glove compartment cannot be opened.

2. If the vehicle alarm system is armed and the luggage compartment is opened using the key transmitter, the alarm will not sound. The system will be rearmed when the lid is closed, provided the vehicle has not been disarmed.
3. Neither the luggage compartment lid release switch on the fascia switchpack nor the lid release button will operate when the vehicle is armed, or in valet mode. An attempt to operate these switches whilst in valet mode will result in an audible warning chime.
4. Operating the internal, external or remote luggage compartment switches more than 15 times within 20 seconds, or opening and closing the luggage compartment will cause opening to be inhibited for 20 seconds. Should this happen wait 20 seconds for normal operation to resume. If required, the luggage compartment may be opened by using the key during the 20 second waiting period.

Alarms and Audible Signals

Note: In certain markets, legislation prohibits the use of audible confirmation signals. In such cases, the sound source has been removed from the system.

Audible Signals

Two audible signals will be heard (if enabled) if an attempt is made to lock the vehicle with a key in the drivers door lock or the lock button is pressed on the key transmitter if a door, the hood or the luggage compartment is not fully closed or, a key is in the ignition switch.

If the vehicle is unlocked with a key when it is armed, the vehicle will disarm, the direction indicators will flash twice and two audible tones will be heard (if enabled).

The full alarm will activate, as previously described, unless the security system is disarmed, either by pressing the unlock button on the key transmitter, or by placing a key into the ignition switch and turning the key to position 'II'.

Full Alarm

Once armed, any of the following circumstances will create a full alarm state, sound the horns, sound the siren, or a combination of both (as regional legislation dictates) and flash the direction indicators:

- Opening a door, luggage compartment lid (except with transmitter) or hood.
- Movement in the passenger area (if intrusion sensors are fitted).
- Using a key in the ignition switch which is not programmed to the vehicle.
- One press of the headlamp convenience button will switch on the headlamps for 25 seconds or until the button is pressed again, or until a key is inserted in the ignition switch. See **Headlight convenience** on page 4-24 for more details.
- An attempt to lift, or tow the vehicle (when inclination sensor fitted).
- The vehicle battery is disconnected and the vehicle is fitted with a Battery Backed Sounder (only Battery Backed Sounder will be audible).

2-16 Security and Locks

- If, after 15 seconds (passively armed), from opening the driver's door with a key (as regional legislation dictates), the key is not inserted into the ignition switch and turned to position 'II', or a passenger door is opened before the drivers door.
- Any attempt is made to remove the radio or the front navigation system (if fitted).
- Pressing the headlamp convenience button on the remote transmitter 3 times within 3 seconds activates the panic alarm (if enabled).

Error Audible Signal

Two audible signals will be heard whenever one of the following conditions are present:

- If any door is open when an attempt is made to lock the vehicle.
- The luggage compartment or the hood is not properly closed when an attempt is made to lock the vehicle.
- A key is present in the ignition switch and a button on the key transmitter is pressed.

See **Direction Indicator Unlock Alerts** on page 2-11 for the Notes regarding error signals during failure of intrusion sensor (if fitted), and inclination sensor (if fitted).

Note: The error audible signal can be disabled and the direction indicator flash option can be enabled (and vice versa) by a Jaguar Retailer.

Error Flash Signal (Retailer Enable Option)

The direction indicators will flash seven times whenever one of the following conditions are present.

- If any door is open when an attempt is made to lock the vehicle.
- The luggage compartment or hood are not fully closed when an attempt is made to lock the vehicle.
- A key is present in the ignition switch and a button on the key transmitter is pressed.

See **Direction Indicator Unlock Alerts** on page 2-11 for the Notes regarding error signals during failure of intrusion sensor (if fitted), and inclination sensor (if fitted).

Audible Signals

An audible signal will sound when:

- The valet switch is pressed with the luggage compartment closed.
- The vehicle is in valet mode and the interior/luggage compartment release button, or glove compartment valet switch is pressed.
- The vehicle is locked (if enabled).
- The vehicle is unlocked (if enabled).
- A door is opened if the vehicle has been passively armed. This mode can be cancelled by disarming the security system using the key transmitter, or by switching the ignition to position 'II', or by turning a key in the driver's door lock towards the front of the vehicle.
- The lock button is pressed twice within three seconds (if enabled).

Security Features

The security system has been designed for:

- Prevention of theft of the vehicle.
- Prevention of theft of items from the vehicle.
- Personal security.

The security system is integrated with the vehicle electronics and engine management systems making it far more difficult for a thief to penetrate and steal the vehicle.

Panic Alarm (if enabled)

When in or near the vehicle, the alarm can be set off to deter a possible offender. For this feature to operate, the key must not be in the ignition switch.

Pressing the headlamp convenience/panic button on the key transmitter three times within three seconds will activate the 'Panic Alarm'.

The alarm is stopped by:

- Putting the key into the ignition switch and turning to position 'II'.

Note:

1. The key transmitter cannot be used to cancel the Panic alarm. This prevents unauthorised cancellation in an emergency.
2. The panic alarm is normally enabled. If required, this feature can be disabled or enabled by a Jaguar Retailer.
3. The vehicle locking status will not change when the panic alarm is activated.

Passive Arming (Retailer Option)

Passive arming will not lock the doors, it only arms the security alarm system.

Passive arming, if enabled by a Jaguar Retailer, will automatically arm the vehicle alarm system 30 seconds after the last protected entry (door, luggage compartment) is closed following the key being removed from the ignition switch.

When passive arming occurs the direction indicators will flash once and a single tone will be heard (if enabled). The red security light on the fascia will start to flash and will continue for as long as the alarm is armed.

Opening the drivers door causes a warning sound which continues for 15 seconds before the system goes into the full alarm state. If any other door is opened before the drivers door, the system goes into the full alarm state immediately.

When the system is passively armed and a key is used to open the trunk, a seven second warning audible ticking will sound before the full alarm is activated.

2-18 Security and Locks

If the system has been passively armed it can be disarmed by either using the key transmitter, by switching the ignition to position 'II', or by unlocking the driver's door with the key.

Note: The security system will not passively arm if a key is in the ignition switch or if any protected entry is open.

Battery Reconnection

If the battery has been disconnected and is subsequently reconnected, the alarm system will resume the same state as before the battery was disconnected.

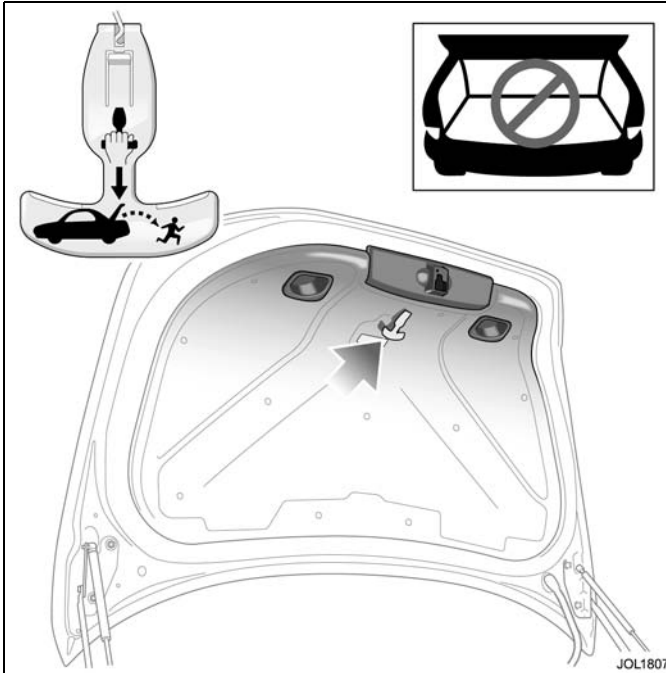
If the alarm was sounding when the battery was disconnected, it will sound again when the battery is reconnected and will need:

- The transmitter unlock button to be pressed
- Or a key placed in the ignition switch and turned to position 'II'
- Or the driver's door to be unlocked with a key

to disarm the vehicle.

Battery Back-up Sounder (Retailer Option)

A self-contained, battery back-up sounder can be fitted. This device will sound the full alarm if the vehicle alarm is activated, or if the vehicle battery or the sounder is disconnected when the security system is armed.



Luggage Compartment Emergency Release

Your vehicle is equipped with a mechanical interior luggage compartment release handle that provides a means of escape for children and adults in the event they become locked inside the luggage compartment.

Adults are advised to familiarise themselves with the operation and location of the release handle.

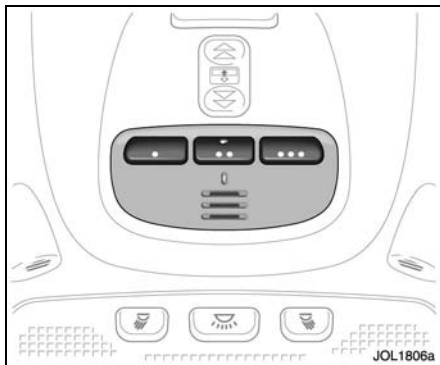
To open the luggage compartment lid from the inside, pull the illuminated 'T' shaped handle and push up the trunk lid. The material that the handle is made of will glow for hours in the darkness of the luggage compartment following brief exposure to ambient light.



WARNING:

1. **Keep vehicle doors and the luggage compartment locked and keep keys out of a child's reach. Unsupervised children could lock themselves in an open trunk and risk injury. Children should be taught not to play in vehicles.**
2. **On hot days, the temperature in the luggage compartment and vehicle interior can rise very quickly. Exposure of people or animals to these high temperatures for even a short time can cause death or serious heat-related injuries, including brain damage. Small children are particularly at risk.**

2-20 Security and Locks



Garage Door Opener Transceiver

The garage door opener transceiver is located in the overhead console. The transceiver can be programmed to transmit the radio frequencies of up to three different transmitters used to activate garage doors, entry gates, home lighting, security systems, or other radio frequency operated devices.

Although this section mainly describes the procedures for the garage door opener, it also equally applies to the previously mentioned applications. In some countries this feature is also known as HomeLink® Universal Transceiver.

For information, or for assistance, contact your Jaguar Retailer or the supplier by phone or via the internet. For details see **Information and Assistance** on page 2-23.



WARNING:

1. **Do not use the transceiver with any garage door opener that lacks the safety stop and reverse feature as required by safety standards. A garage door opener which cannot detect an object, signalling the door to stop and reverse, does not meet current safety standards. Using a garage door opener without these features increases risk of serious injury or death.**

2. **When programming the transceiver to a garage door opener or entry gate, make sure that people, the vehicle and objects are out of the way to prevent potential harm or damage as the gate or garage door will activate during the programme.**
3. **This device may suffer from interference if operated in the vicinity of a mobile or fixed station transmitter. This interference is likely to affect the hand-held transmitter as well as the in-car transceiver.**

Before Programming

Caution: When programming a garage door opener or entry gate that may require you to press and re-press the hand-held transmitter (cycle), unplug the device during the ‘cycling’ process to prevent possible motor failure.

It is recommended that for best results, fit a new battery to the hand-held transmitter of the garage door opener (or other device) before programming. If your garage door opener receiver (located in the garage) is equipped with an antenna, ensure that the antenna is hanging straight down.

To Erase All Programming

For first time programming, ensure that the engine is switched off:

1. Turn the ignition switch to position ‘1’.
2. Press and hold the two outer buttons on the garage door opener in the overhead console. Keep the buttons pressed, the indicator light will illuminate. The indicator light is part of the middle button in the garage door opener in the overhead console.
3. Release the buttons when the lights begin to flash (this will take approximately 20 seconds).

All memories in the garage door opener have now been cleared.

Note: Do not perform this procedure when programming the additional garage door opener buttons.



Programming the Vehicle

Ensuring that the engine is switched off:

1. Turn the ignition switch to position ‘1’.
2. Hold the end of the original garage door opener hand-held transmitter approximately 2 to 6 inches (5 cm to 15 cm) away from the transceiver in the overhead console, keeping the indicator light in view.

2-22 Security and Locks

3. Using both hands, simultaneously press and hold both the desired garage door opener button on the overhead console and the hand-held transmitter button. Keep both buttons pressed. The light will flash, slowly at first and then change to a fast flash. When the indicator light flashes rapidly, release both buttons. The rapid flashing light indicates successful programming.
4. If, after 60 seconds, the indicator light does not flash rapidly, release both the transceiver and the hand-held transmitter buttons and repeat the procedure starting with Step 2. However, position the hand-held transmitter at a different angle and/or distance.
5. Press and hold the programmed overhead console garage door opener button and observe the indicator light:
 - If the indicator light is solid/continuous, programming is complete. Your device should activate when the garage door opener button is pressed and held for 1 to 2 seconds and then released.

- If the indicator light blinks rapidly for 2 seconds and then turns a solid/continuous light, proceed with the following programming instructions for 'rolling code' device equipment.

Note: To programme additional garage door opener buttons, begin at Step 2.

Rolling code device equipment programming

Note: A second person may make the following steps quicker and easier as once the button has been pressed there are 30 seconds only in which to complete Step 3.

1. At the garage door opener receiver (motor head unit) in the garage, locate the 'learn' or 'smart' button/switch.
- Note:** The name of the button/switch may vary between manufacturers.
2. Press and release the 'learn' or 'smart' button.
 3. Return to the vehicle and firmly press and hold the programmed garage door opener button for 2 seconds and release.

4. Repeat the press/hold/release sequence 3 times to complete the learning/training process.

The garage door opener in the overhead console should now activate the 'rolling code' device.

Reprogramming a single garage door opener button

To programme a device to a previously trained button:

1. Press and hold the desired pre-programmed garage door opener button for at least 20 seconds, but no longer than 30 seconds, until the indicator light begins to flash.
2. Without releasing the overhead console button, position the hand-held transmitter approximately 2 to 6 inches (5 cm to 15 cm) away from the transceiver in the overhead console, keeping the indicator light in view.
3. Carry out Step 3 of programming the vehicle, see column 1.

Entry gate programming

The technology of some entry gates requires you to press and re-press (cycle) the hand-held transmitter every 2 seconds during programming.

Continue to press and hold the desired overhead console button while you cycle your hand-held transmitter until the indicator light flashes rapidly.

Information and Assistance

For information on the range of available compatible products or accessories, or for assistance, contact your Jaguar Retailer.

You can also contact the supplier's helpline on 1-800-355-3515 or the website address for Homelink™ is www.homelink.jci.com.

Note: Keep the original transmitter for future use or programming procedures if, for example, you purchase a new vehicle.

Caution: It is recommended that when you sell or dispose of the vehicle, the programmed transceiver buttons be erased for security purposes.



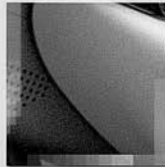
WARNING:

The manufacturer is not responsible for any radio or TV interference caused by unauthorised modifications to this equipment. Such modifications could void the user's authority to operate the equipment.



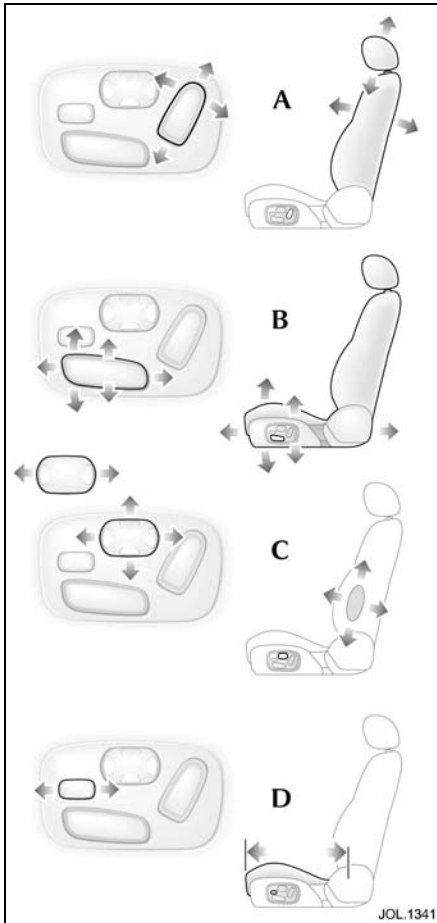
JAGUAR

| | |
|--|------|
| Seats | 3-3 |
| Steering Column Adjustment | 3-7 |
| Door Mirrors | 3-8 |
| Interior Rear View Mirror | 3-9 |
| Occupant Protection | 3-11 |
| Seat Belts | 3-11 |
| Air Bags | 3-14 |
| Child Safety | 3-23 |
| LATCH Child Restraint System | 3-27 |
| Memory Setting | 3-31 |
| Clock Adjustment | 3-32 |
| Luggage Compartment | 3-33 |
| Ski Hatch | 3-34 |





JAGUAR



Seats



WARNING:

1. Do not make adjustments when the vehicle is moving.
2. Front passengers must not ride with the seat fully reclined.

All seats, except the rear bench type, are adjusted electrically by switches on the side of the seat cushion. Adjustment can be made with or without the ignition key inserted.

Three different positions can be stored and recalled by a memory system for each seat. (Steering wheel, pedals and door mirrors positions are also memorised for the driver.) See **Memory Setting** on page 3-31.

Note: It is advisable to move the seat to the correct position in relation to the gear lever and front and side vision before adjusting the steering column, pedals, mirrors and seat belt.

Front Seat Adjustment

Note: The full range of front seat adjustments are:

(A) – Backrest angle (recline) and headrest height.

(B) – Seat fore and aft position; cushion height and front tilt:

- Move the switch forward or rearward to change the seat fore and aft position.
- Move the centre or rear of the switch up or down to adjust cushion height.
- Move the front of the switch up or down to tilt the front of the cushion.

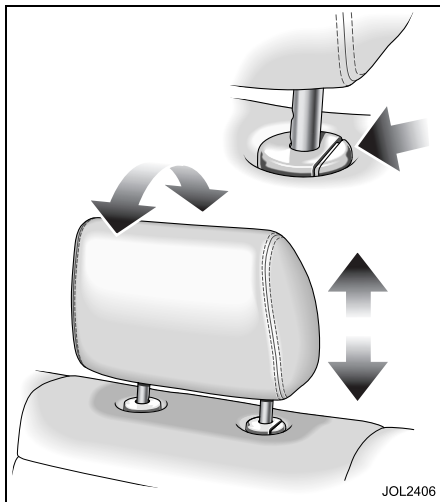
(C) – Provides adjustable lumbar support in the lower backrest. Either a 2-way or 4-way switch may be fitted:

- **2-way or 4-way switch:** Press the front or back of the switch to increase/decrease lumbar support.
- **4-way switch only:** Press the top of the switch to increase higher lumbar, decreasing lower lumbar support. Press the bottom of the switch to increase lower lumbar, decreasing higher lumbar support. Press the front of the switch to increase mid-lumbar and the rear to decrease all lumbar support.

(D) – If specified, varies the cushion extension. Moving the control will change the distance between the front of the cushion and the backrest.

3-4 Before Driving

Head Restraint Adjustment



WARNING:

Adjust the head restraint so that it is just behind your head and never behind your neck.

All headrests may be manually tilted, except those fitted with rear display screens.

Rear head restraint adjustment

The rear head restraints on vehicles without electrically operated rear seats may be manually adjusted.

To raise the outer rear seat headrests, pull the headrest upwards. To lower, press the lever in the escutcheon (shown in the upper illustration) and push the headrest into the seat back.

Rear Seat Adjustment

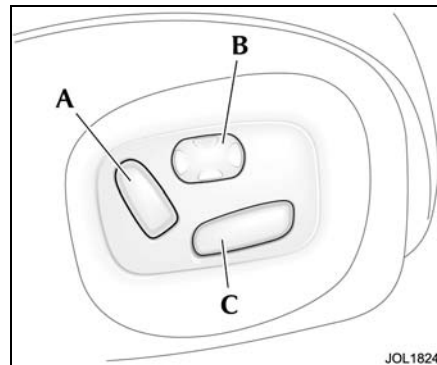
Seats with individual backrests may be adjusted electrically using the switches on the sides of the seat cushions. Adjustment can be made with or without the ignition key inserted.

Seat adjustments are:

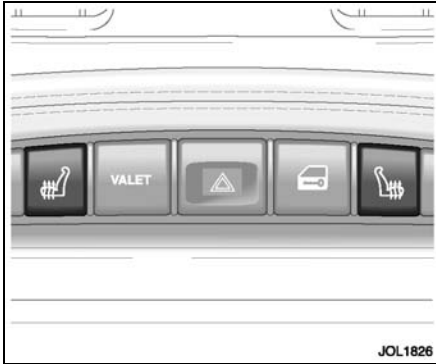
(A) – Backrest recline and headrest height.

(B) – Adjustable lumbar support in the lower backrest: Increase/decrease support and up/down movement, as for front seats.

For increased comfort, the front passenger seat fore and aft movement and backrest recline can be controlled from the rear seat immediately behind, using switch (C).



Note: Operation of the front seat by a rear seat passenger and rear seat operation, except for lumbar adjustment, can be disabled from the driver's door switchpack window and rear feature immobilisation switch (see page 4-30).



Heated Seats

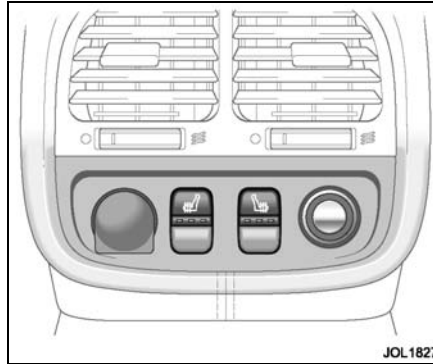
Some seats have heaters in the backrests and cushions. The heaters have three heat settings and each seat has its own control.

The front seat buttons are located at the top of the centre console.

With the engine running, pressing a heater button will select the highest heat setting, as indicated by three illuminated red lights.

A second press selects the mid setting (two red lights) and a third press selects the lowest heat setting (one red light).

A fourth press turns the seat heater off; all indicator lights off.



The rear seat heater buttons are located below the rear air vents.

Note: The heater will automatically switch off if the engine is turned off or if a fault is detected.

A heater will maintain a preset temperature while it is switched on. Storage of the vehicle in a heated garage, body heat or warm ambient temperatures may prevent operation of the seat heater.

Heated Steering Wheel

A heater is incorporated in the steering wheel rim and operates in conjunction with the driver's seat heater. The steering wheel heater is switched on in any of the three driver seat heater positions.

3-6 Before Driving

Pedal Adjustment



WARNING:

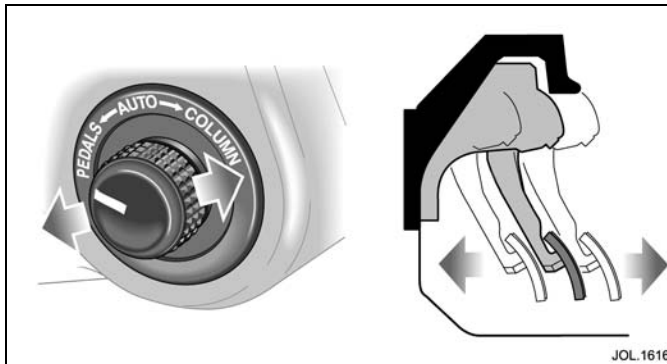
Do not adjust the pedals whilst driving.

This facility enables the pedals to be moved towards or away from the driver's seat, providing extra adjustment for the driving position. All pedals move together (no individual pedal adjustment) and are electrically controlled from the combined steering column/pedal adjust switch on the left side of the steering column housing. The adjustment can be made with or without the ignition key inserted.

To adjust the position of the pedals, turn the switch to 'PEDALS', then push it forwards or rearwards to cause a corresponding movement of the pedal assembly.

Three pedal positions may be stored and recalled by the driver position memory system. See **Memory Setting** on page 3-31.

It will not be possible to adjust the pedals if cruise control has been set.



Steering Column Adjustment



WARNING:

Do not adjust the steering column whilst driving.

The steering column can be adjusted for tilt and reach by operating the rotary/joystick control switch (A) on the left side of the steering column.

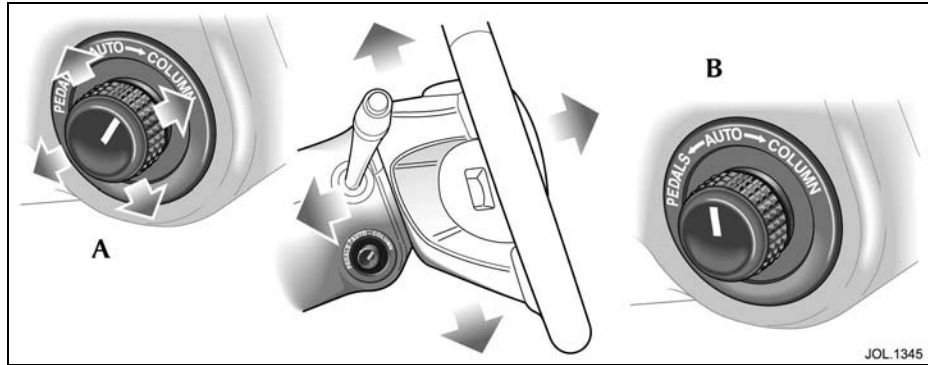
1. Turn the switch to the 'COLUMN' or 'AUTO' position.
2. Move the switch forwards or backwards to adjust reach.
3. Move the switch up or down to tilt.

Three column positions may be stored and recalled by the driver position memory system. See **Memory Setting** on page 3-31.

Entry/exit mode

Entry/exit mode provides automatic movement of the steering column and driver's seat to allow easier entry to or exit from the vehicle.

Entry/exit mode is selected by setting the steering column adjustment switch to the 'AUTO' position (B).



Exit – If the ignition key is in position '0' and the driver's door is opened or if the ignition key is removed, the steering column will move to the uppermost tilt position. The seat will move rearwards unless it is already 1.5 inches (4 cm) or less from its fully rearward position when it will not move any further back.

Entry – When the key is next inserted in the ignition switch and the door is closed, the steering column and seat will return to their previous positions. If, however, the memorised driver position has been changed (using the door memory switch or another integrated key), the steering wheel and seat will move to the new position.

Caution: Do not use steering wheel mounted security devices since movement of the steering wheel in entry/exit mode could result in vehicle damage (e.g. the windscreen) or possible injury to the occupant.

Note:

1. If the adjustment switch is moved away from 'AUTO' whilst the steering column is tilted away, the steering column will move back to its memorised position when the key is next inserted in the ignition and entry/exit mode is then cancelled.
2. If the adjustment switch is moved during entry/exit operation, steering column movement will stop.

3-8 Before Driving

Door Mirrors

Both door mirrors are adjusted from the driver's door switchpack.

The four-way adjustment button (A) moves the mirrors to the required position. The selector switch (B) selects the mirror to be moved, left for the left-hand side mirror and right for the right-hand side mirror. When the selector switch is in the centre position, adjustment to either mirror is inhibited.

The mirror housings are designed to pivot against the vehicle upon impact.

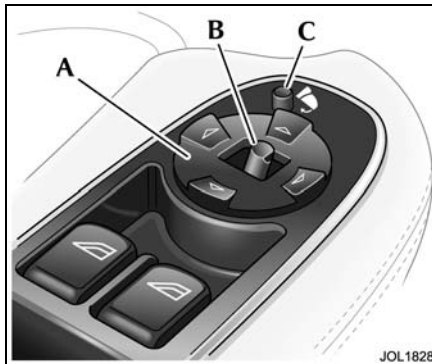
To return the mirror to its normal position, manually reposition the housing until it locks into place.

At night, the approach lamps in the door mirrors also switch on automatically when reverse is selected.

Mirror heating

The door mirrors have heating elements which work when the rear screen heater is switched ON. The mirror heater will clear all ice from the mirror surface.

Caution: Do not use a scraper to remove ice from the mirrors as this will damage the surface.



Door mirrors – power foldback

To assist parking by reducing the overall vehicle width, this optional feature enables the door mirrors to be folded back. Press button (C) to fold the mirrors inwards and press again to return the mirrors to their normal driving position.

Do not attempt to reposition powerfold manually. Always use the button.

Electrochromic door mirrors

The switch on the interior mirror controls the electrochromic function for both door and interior mirrors.

Impact to door mirrors

If a door mirror is knocked out of position the mirror head will be loose.

To re-engage the mechanism, power the mirror to the foldback position, then outwards to the drive position.

Caution: If door mirrors have been folded against the vehicle due to an impact:

- **Reposition power foldback mirrors using the door switches.**
- **Reposition non-power foldback mirrors manually.**

Mirror dip when reversing

Note: Vehicles are not normally delivered with this feature but it can be fitted by your Retailer.

When reverse gear is selected, one or both door mirrors incline downwards to provide a close up view of the rear side areas.

When the gear selector is moved out of reverse, the mirrors return to their original positions.

Interior Rear View Mirror

The interior rear view mirror is of the electrochromic type but electrochromic operation may be switched on or off at the mirror.

When switched on, the mirror darkens automatically to prevent glare from a following vehicle's headlamps, and clears when light levels return to normal or when reverse gear is selected.

Electrochromic door mirrors are operated in conjunction with the interior mirror by the same buttons and function in the same manner.

Note:

1. Should a mirror assembly become detached from the windscreen, it must be refitted by a Jaguar Retailer.
2. Ensure that the windscreen in front of the mirror is kept clean. Where fitted, the moisture sensor for wiper operation is located to the front of the mirror casing. Any dirt may affect the operation of this sensor.

Electronic road toll systems

If you have an E-ZPass or other electronic road toll transponder, it is advisable to mount the transmitter on the windscreen about 1 inch (2.5 cm) from the mirror mount and headlining and to the side of the mirror ensuring that it does not cover the forward-facing light sensor. This also keeps it away from any metal which may affect its operation.

Do not move the tag more often than need be as it can affect the calibration of the compass.

Electrochromic operation

To switch on, press the MIRROR button. An LED lights up to indicate that automatic operation is selected. Press again to switch off.



Compass operation

When switched on, the compass display on the right-hand side of the mirror surface shows the direction the vehicle is pointing. Eight main directions can be displayed, e.g. 'N' for north, 'SW' for south west.

To switch on: Press the COMP button. Press again to switch off.

3-10 Before Driving

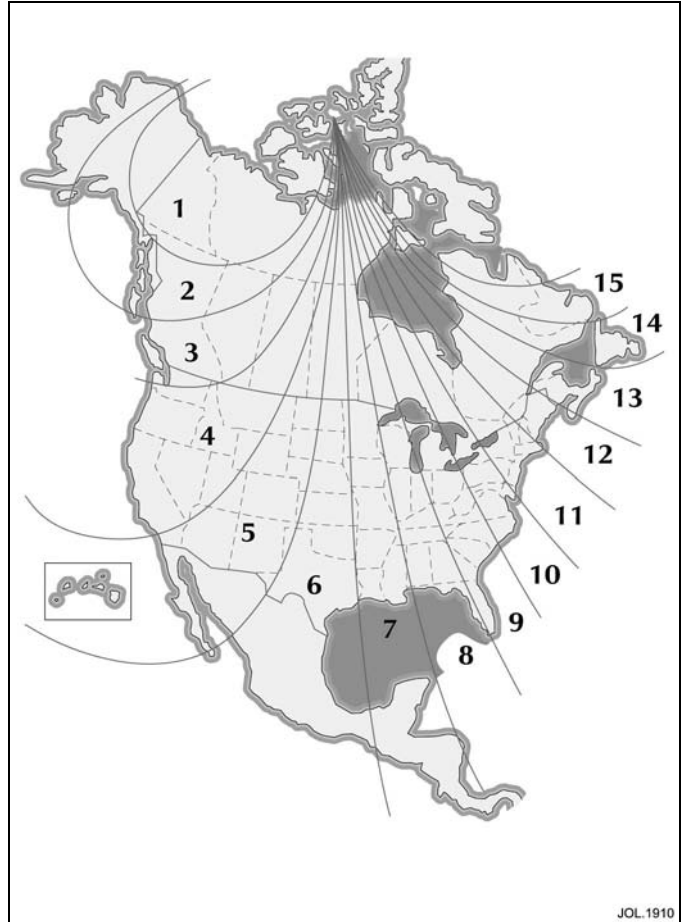
'C' displayed: If 'C' is displayed in the compass window, the compass must be calibrated. Drive the vehicle in a circle at less than 5 mph (8 km/h) until the display shows a direction. The compass will be calibrated once it has tracked a complete circle.

Incorrect direction displayed: The compass responds to magnetic north but displays directions relative to true north. The difference between magnetic north and true north varies around the world and is separated into numbered zones as shown on the map. The correct zone number must be entered into the compass to show a heading relative to true north.

If the compass displays the wrong direction, it may be because the wrong zone number has been entered or the vehicle has moved to a different zone:

1. With the display turned on, press the COMP button for 3 seconds until the zone selection number is displayed on the mirror compass.
2. If the incorrect zone number is displayed, repeatedly push the COMP button until the correct zone number is displayed.
3. The mirror compass will return to normal compass mode within 10 seconds of no button activity.

All display segments illuminated: If the vehicle is in the vicinity of strong magnetic fields, e.g. electricity power lines, the compass may show an erroneous display with all display segments illuminated. To correct, drive the vehicle away from the problem area and reset the compass by switching the ignition off and then on.



Occupant Protection

Seat Belts

The use of front and rear seat belts is mandatory in most countries. Using seat belts saves lives. They should be worn by all occupants whenever the vehicle is in use, for maximum protection.

Lap/shoulder inertia reel seat belts are provided for both front occupants and three rear seat positions.

The inertia operating mechanism of the seat belts allows the wearers to move their upper bodies to reach various controls. The seat belts lock automatically with accelerated body movement or in the event of emergency braking.

The seat belt assemblies incorporate additional safety devices. All have belt pretensioners and the front belts also have force limiters. These devices provide increased protection in the event of a severe frontal impact.

The pretensioners operate with the air bags as part of the Advanced Restraints Technology System (see page 3-14).

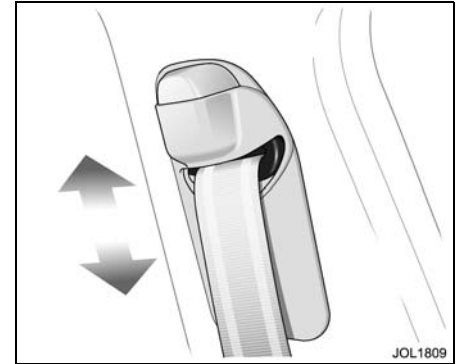
All passenger seat belt mechanisms incorporate an automatic locking device to allow child seats to be secured safely. For child safety see page 3-23.

Comfort belts are fitted to both individual electrically operated rear seats. They are also fitted to the outer seats only on the electrically operated rear bench seat. These belts incorporate a twin tension facility. When the belt is buckled around the occupant, a reduced tension is applied to provide a more comfortable fitting. When the belt is unfastened, a higher tension is applied to allow it to retract correctly.

Beltminder

The Beltminder feature is a supplemental warning to the seat belt warning function (see page 4-6). This feature provides additional reminders to the driver that the driver's and/or front passenger's seat belt is unbuckled by intermittently sounding a chime and illuminating the seat belt warning lamp in the instrument cluster.

Note: Not all countries have the warning chime.

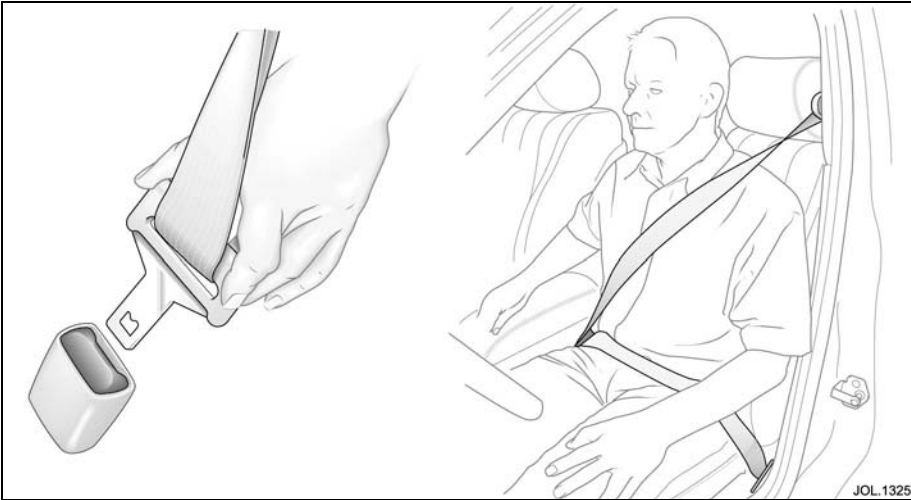


Front belt height adjustment

To adjust the front seat belt heights, press the locking button and slide the anchorage so that the seat belt webbing passes over the shoulder without pulling against the neck. Release the button and check that the anchorage point is locked.

Always check the anchorage point after the seat has been adjusted to ensure that the belt is correctly positioned.

3-12 Before Driving



Seat belt fitting



WARNING:

Do not adjust the seat belt while driving.

Draw the tongue of the seat belt over the shoulder, across the chest and push it into the buckle unit slot. A positive 'click' indicates that it is safely locked.

Comfort clips or devices that create slack in the seat belts are not recommended.

Ensure that the webbing is midway between the neck and the edge of the shoulder. Correct tension is controlled by automatic retraction of the reel.

A warning light on the instrument panel is illuminated when the driver's seat belt is not fastened.

Note: If the vehicle is parked on unlevel ground, the seat belt mechanism may lock. This is not a fault, gently ease the belt from its attachment to unlock it.

Inertia reel mechanism check

Static test: Whilst seated, fasten the seat belt and grip the shoulder belt at approximately shoulder level with the opposite hand. Pull the belt sharply downwards, the belt should lock.

Road test: The following road test must be carried out only under maximum safe road conditions.

With the seat belt correctly fitted to the driver and passenger(s), drive the vehicle at 5 mph (8 km/h) and, ensuring that it is safe to do so, brake sharply.

The seat belt(s) should lock automatically, holding both driver and passenger(s) securely in position.

It is important when braking that the reactions of both driver and passenger(s) are normal, that is, the body must not be thrown forward in anticipation, thus causing a snatching action of the belt which would operate the locking mechanism.

If the belt fails to lock on either test, consult a Jaguar Retailer.



WARNING:

1. Seat belts are designed to bear upon the bony structure of the body. The lap section of the belt must be worn low across the front of the pelvis and NOT across the abdominal area. Always ensure that the webbing is midway between the neck and the edge of the shoulder.
2. Care should be taken to avoid contamination of the webbing with polishes, oils and chemicals, and particularly battery acid. Cleaning may safely be carried out using mild soap and water. If webbing becomes frayed, contaminated or damaged, discard it and fit a new seat belt.
3. It is essential to renew the entire assembly after it has been worn in a severe impact even if damage to the assembly is not obvious.
4. Belts should not be worn with the webbing twisted.
5. Each seat belt assembly must only be used by one occupant; it is dangerous to put a seat belt around a child being carried on the occupant's lap.
6. No modifications or additions should be made by the user which will prevent the seat belt adjusting devices from operating.
7. Should the seat belt not retract and remain at its static length, consult your nearest Jaguar Retailer immediately.

3-14 Before Driving

Air Bags

In order to provide optimum protection this vehicle is equipped with front and side air bags. They are used in conjunction with the seat belts to help protect occupants from upper body (thorax) and head injuries.

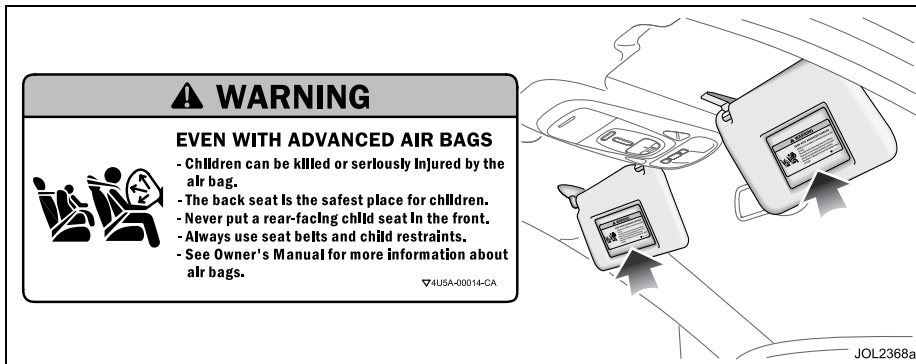
- The driver front air bag is located in the centre of the steering wheel.
- The front passenger air bag is located in the fascia panel immediately in front of the passenger seat.
- Thorax side air bags are fitted within the outboard bolsters of both front seats, and are identified by labels.
- A curtain air bag is fitted on each side, above the front and rear doors.

Air bag warning information is printed on the driver's and passenger's sunvisor (see illustration).



WARNING:

Occupants with disabilities that may require the vehicle to be modified must contact a Jaguar Retailer before any modifications are made.



WARNING:

EVEN WITH ADVANCED AIR BAGS

- **Children can be killed or seriously injured by the air bag.**
- **The back seat is the safest place for children.**
- **Never put a rear-facing child seat in the front.**
- **Always use seat belts and child restraints.**
- **See Owner's Manual for more information about air bags.**

Advanced restraint technology system

The air bags and seat belt pretensioners are electrically controlled by an advanced restraints technology system.

Both front air bags use a dual inflation technology. When activated, the bag(s) will deploy at either a normal or reduced level of inflation, depending on crash severity. The lower inflation level is also selected if the restraint system senses that the seat occupant is too close to the air bag.

Various sensors determine the direction and severity of an impact and the presence and position of front seat occupants.

The system analyses this information then deploys the appropriate air bags only e.g. the side air bags where the impact is on that side only.

Air bags are not deployed in a rear impact.

Air bag deployment

To do their life-saving job, air bags must inflate rapidly and with considerable force. There is therefore a risk of death or serious injuries such as fractures, facial and eye injuries or internal injuries, particularly to occupants who are not properly restrained by seats belt or sitting correctly when the air bag deploys.

The risk of injury from a deploying air bag is greatest close to the trim covering the air bag.

The whole sequence of events from sensing the impact to full inflation of the bag takes place in a fraction of a second.

The noise and gas associated with the deployment of the air bags is not injurious to health.

After air bag deployment, it is normal to notice a smoke-like, powdery residue or smell the burnt propellant. This may consist of cornstarch, talcum powder or sodium compounds that result from the combustion process that inflates the air bag.

Small amounts of other chemicals may be present which may irritate the skin and eyes, but none of the residue is toxic.

While the system is designed to help reduce serious injuries, it may also cause minor burns, abrasions, swelling or temporary hearing loss.



WARNING:

1. **No objects whatsoever should be attached to the centre cover of the steering wheel, the passenger fascia panel, the sides of the front seats or the interior trim immediately above the door openings. Do not put anything on or over the air bag inflation area. Placing objects on or over the air bag inflation area may cause those objects to be propelled by the air bag into your face and torso causing serious injury.**

2. **Safety experts recommend a minimum distance of at least 10 inches (25.4 cm) between an occupant's chest and a front air bag.**
3. **Children 12 years old and younger can be killed or seriously injured by the air bag. The rear seat is the safest place for children.**
4. **Do not try to put an adult seat belt around two children.**
5. **Several air bag system components get hot after inflation. Do not touch them after they have deployed.**
6. **If an air bag is inflated, the air bag will not function again and must be renewed immediately. If a new air bag is not fitted, the unrepaired area will increase the risk of injury in a collision.**

3-16 Before Driving

Air bag fault warning light

The air bag warning light in the driver's instrument cluster will be lit for approximately six seconds when the ignition is turned on.

If the light remains on or flashes, it indicates a fault within the air bag electrical circuits. Report the fault to a Jaguar Retailer immediately. It is safe to drive the vehicle; however, in an accident the air bags may not operate.

Air bag warning light information is shown on page 4-8.

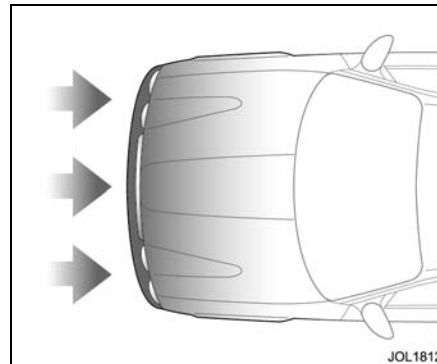
Air bag disposal



WARNING:

Do not attempt to service, repair or modify the air bag system or its fuses. All work on the air bag system, including renewal after deployment and renewal at the end of its service life, must be carried out by an authorised Jaguar Retailer.

In the event of the vehicle being dismantled, air bag module removal and disposal **MUST** be made by a qualified person. Instructions can be obtained from an authorised Jaguar Retailer.

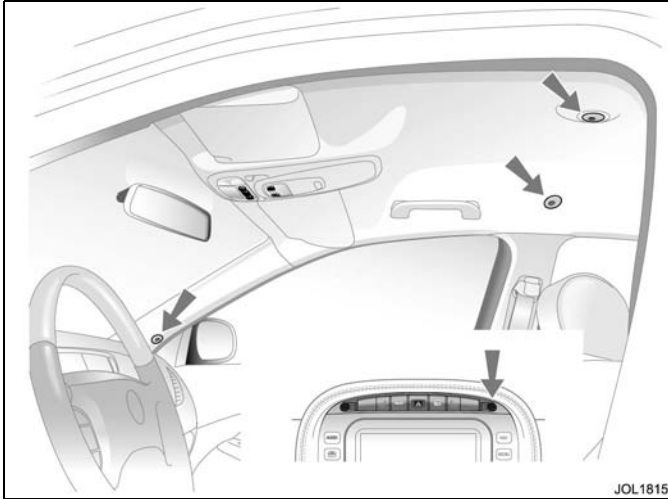


Front protection

With a front impact of sufficient force, the restraints system will trigger the front air bag(s) and seat belt pretensioners, which immediately tighten the seat belts.

For front occupants, the seat belt then slackens with increasing chest load, allowing the head and chest to more gradually come into contact with the inflated air bag. The air bag absorbs the remaining energy of the impact and then deflates rapidly via vent holes.

Front air bags are designed to inflate in frontal and near frontal collisions, not low speed impacts, roll-over, side-impact or rear-impact.



Occupancy sensing

The front passenger seat is monitored by ultra-sonic sensors (shown above) and a seat weight sensor to determine the presence, weight and position of the front passenger. In certain conditions, e.g. where no passenger is present, the appropriate air bags will be deactivated. In a collision these air bags would not be deployed.

Note: The occupancy sensing system is designed to confirm that a front passenger is properly seated as recommended:

- Always sit centrally in the seat, remaining in contact with the seat back which for comfort should be rearwards of the vertical position.
- Adjust the seat to be as far back from the fascia as practical.
- Always wear seatbelts.

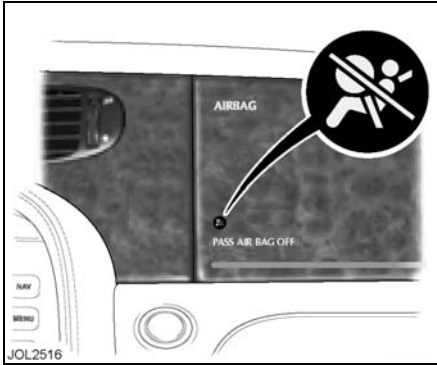
The seat adjustment controls are described on page 3-3.



WARNING:

It is important that the passenger position sensors (see illustration) are not obscured in any way which could affect air bag deployment, e.g. fitting non-approved accessories.

3-18 Before Driving



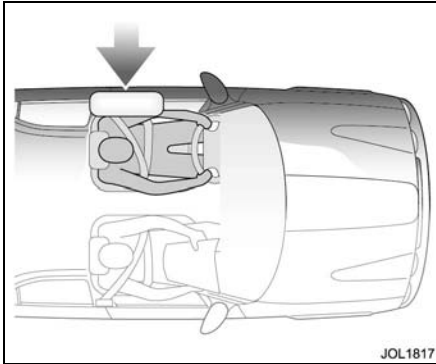
Air bag de-activation warning light (YELLOW)

The PASS AIR BAG OFF warning light on the passenger fascia is associated with the deployment conditions for front seat passenger air bags only.

- The warning light will NOT be lit if the seat is empty and the front air bag will not be activated.
- The warning light will NOT be lit if the seat is occupied by a larger child or adult. The front air bag will be activated and will be deployed in the event of a frontal impact.

- The PASS AIR BAG OFF warning light WILL be lit if the seat is occupied by, for example, a small child and in this case the front air bag will not be activated.
- If the passenger adopts a posture (e.g. leaning very far forward) which could cause injury from an inflating air bag, the PASS AIR BAG OFF warning light WILL be lit and the front air bag will not be activated.

Note: Whenever the yellow PASS AIR BAG OFF warning light on the passenger fascia is illuminated, the front passenger air bag will not be deployed in the event of an impact.

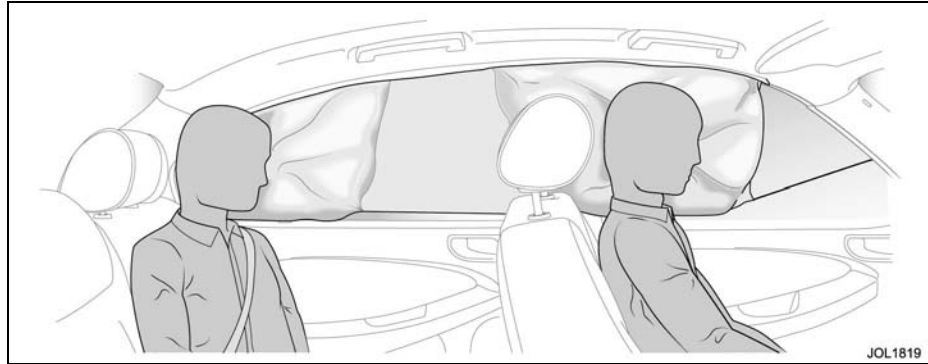


Side protection

The side protection system utilizes four air bags: Two mounted in the front seats, and two curtain air bags located just above the front and rear door openings under the headlining trim.

When the seat mounted thorax air bag inflates upon a vehicle side impact, it breaks through the seat bolster stitching, protecting the side of the rib cage of the driver or front seat passenger.

When the curtain air bag inflates upon a vehicle side impact, it breaks through the headlining and deploys downwards, giving head protection to the front and rear seat occupants on the impact side.



The curtain air bag on the front passenger side is always deployed in a side impact even if the front passenger air bags are deactivated. This is to maintain protection for a rear occupant.

Seat mounted thorax and curtain air bags are designed to inflate in a side impact collision, not rollover, rear-impact, frontal or near-frontal collisions, unless the collision causes sufficient lateral deceleration.

The air bags, in combination with the seat belts, can help reduce the risk of severe injuries in the event of a significant side impact collision.



WARNING:

To ensure that the side air bags are fully effective:
DO NOT sit too close to, lean or sleep against the door trim. The side and curtain air bags could injure you as they deploy.
DO NOT lean out of the window.
 Only use JAGUAR APPROVED accessories (e.g. seat covers).
 Due to the function of the CURTAIN AIR BAG deployment, CONSULT your Jaguar Retailer prior to installing any ACCESSORIES in the upper environment/pillar trim area (e.g. HANDS-FREE TELEPHONE KITS).

3-20 Before Driving

Rear Impact Protection

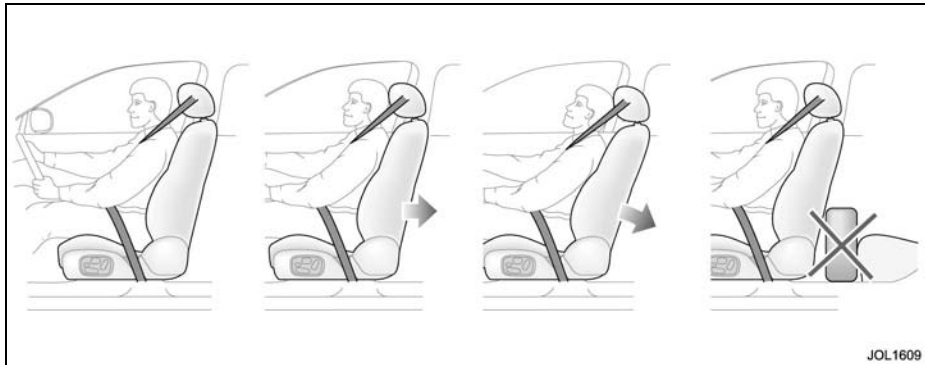
Both front seats have active, energy absorbent backrests which, with correctly positioned headrests, reduce the risk of neck and spinal injury ('whiplash') in the event of a rear impact.

When activated, the seat backrests automatically move back and recline, altering the occupants' posture and reducing relative motion between the body and head.

The degree of backrest movement in a rear collision depends on the angle, speed and nature of the colliding vehicle.

After activation, the whiplash protection mechanism will not work again and the seat must be serviced by a Jaguar Retailer to restore the protective function.

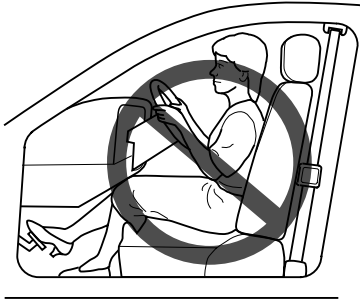
Note: The amount of backrest movement depends on the severity of the impact and for a minor collision there may be no apparent change to the seat even where the protective system has been activated. After any rear collision, therefore, the seat must always be inspected by an authorised Retailer.



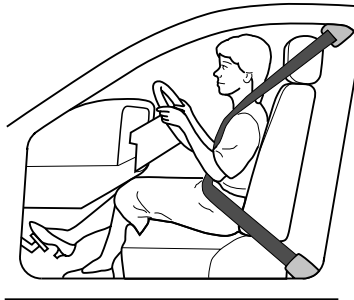
WARNING:

1. For optimum protection, the driver and passenger should sit in the centre of the seat with the head as close as possible to the head restraint.
2. Adjust the head restraint so that it is just behind your head and never behind your neck.
3. Do not wedge objects (e.g. luggage) between the front seat backrest and the rear seat cushion.
4. After a rear collision, the front seats must be inspected by a Jaguar Retailer even where there is no apparent damage or change to the seat.
5. Do not attempt to service or tamper with the seat recliner mechanism.

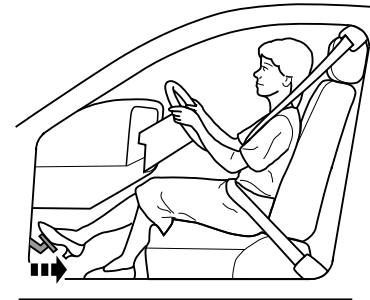
Wrong
Unbelted and too close



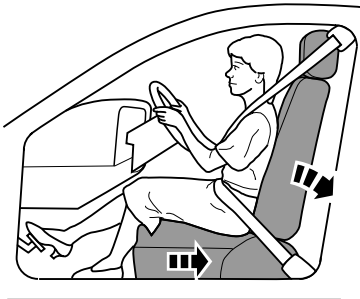
Use seat belts



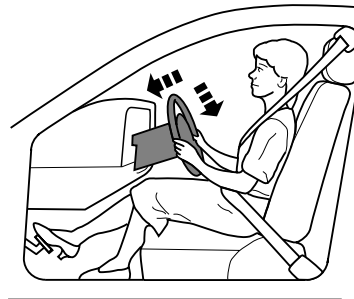
If adjustable pedals fitted, move pedals towards seat



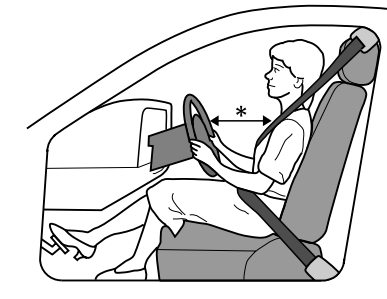
Move seat rearwards and recline seat back



Tilt wheel down/forwards



Correct
*Belted and 10 inches (25.4 cm)
or more away



3-22 Before Driving

Driving Position



WARNING:

Driver and front seat passenger should always move their seats as far rearwards as is practical.

Ideally, drivers should sit with at least 10 inches (25.4 cm) between the centre of their breastbone and the cover of the steering wheel air bag.

Since the risk zone at the time of deployment is the first 2 to 3 inches (5.5 cm – 7.5 cm) from the air bag cover, sitting back 10 inches (25.4 cm) provides a clear margin of safety. Very few drivers are unable to achieve and maintain that safety gap.

The vast majority of drivers who do not now sit that far back can change their position and achieve that distance.

- If adjustable pedals are fitted, move them towards the seat.
- Move your seat back as far as you can while still comfortably reaching the pedals.
- Recline the back of your seat one or two notches from the upright position. If reclining the back of your seat makes it hard to see the road, raise the seat.
- Tilt the steering wheel/column downwards so as to point the air bag at your chest instead of your head and neck. Adjust the steering wheel/column fore/aft so that it extends towards the driver as little as possible, ensuring that the air bag has plenty of room to deploy.
- Sit in the centre of the seat with the head as close to the head restraint as possible.

Note: Seat, steering wheel and pedal adjustment controls are described elsewhere in this section.



Child Safety

JAGUAR CARS LTD. STRONGLY RECOMMEND THAT AT ALL TIMES CHILDREN SHOULD BE CARRIED IN THE REAR SEATS.



WARNING:

Children must be restrained by a child safety restraint that is suitable for their weight and size.

In many countries legislation governs how and where children should be carried when travelling in a vehicle. It is the responsibility of the driver to comply with all regulations in force in the country where the vehicle is being used.

Note: It is important to read and understand all the information contained in this handbook relating to child safety before carrying a child in your vehicle.



WARNING:

DO NOT install a rearward-facing child seat in the front passenger seat position since deployment of the passenger fascia air bag could cause death or serious injury to the child. This is emphasised by the label displayed on the end of the fascia on the front passenger side (see above).

If however, you have no alternative but to place a child in the front passenger seat, use only a forward-facing child seat with the passenger seat set fully rearward and in its lowest position.

Always follow the fitting instructions supplied with the appropriate child restraint system.

3-24 Before Driving

Holding a baby or child in a person's arms is **not** a substitute for a child restraint system. Do not use a seat belt to restrain more than one person.

In an accident, a baby or child held in a person's arms can be crushed between the vehicle's interior and a restrained person.

The child can also be injured by hitting the interior or being thrown from the vehicle during a sudden manoeuvre or impact.

Injury can also be caused if the baby or child is allowed to ride on the seat unrestrained. Other occupants should also be properly restrained to help reduce the chance of injuring the child.

Do not allow children to stand in the space between the front seats, or on the passenger seats.



WARNING:

- 1. Do not put an adult seat belt around two children.**
- 2. Choose a child seat that sits securely on the seat cushion and against the back seat.**
- 3. Always use the top tether to secure a forward-facing child seat where possible (see page 3-29).**

Choosing a suitable child seat

Before you buy a child seat, it is important to note that your child's weight, rather than age, determines the type of seat that is required.

Jaguar recommends that a rear-facing seat with a harness is used for as long as your infant's development allows.

Do not use a forward-facing seat until your child is able to sit up unaided.

Up to the age of 2, a child's spine and neck are not sufficiently developed to avoid injury in a frontal impact.

When choosing a child seat, it is also important to consider how you plan to use it. For longer journeys, a reclining seat may offer added comfort and support for a sleeping child, while a lightweight design may be easier to lift in and out of the vehicle.

It is also worth noting that some children are more suited to a harness-style seat than a booster seat during their toddler years.

Because child seats vary in shape, certain designs may be more stable when mounted on the outer rear seating positions rather than in the centre.

Always check that a child seat can be mounted securely in the required position: if in doubt, speak to your Jaguar Retailer.

We strongly advise that you do not buy or use a second-hand child seat. The seat may have been used inappropriately, or been involved in an accident. In such circumstances, the seat may not protect your child.

Securing child restraints with an adult seat belt

All passenger seat belts (not the driver's) have an automatic locking device for use with child seats.

If engaged, this device allows the belt to be retracted (tightened) but not pulled out. When used to secure a child seat, therefore, the belt will automatically lock at any point to which it has retracted.

Always ensure that child restraint assemblies are fitted in strict accordance with the child restraint manufacturer's instructions. Keep the fitting instructions for future reference.

The following checks should always be carried out:

- Fit the child seat in the correct position and secure with the seat belt in accordance with the manufacturer's instructions. If necessary, remove the headrest to accommodate a larger child seat.
- Pull the seat belt all the way out to engage the locking device.
- Make sure the child seat is fitted firmly to the car seat. There should not be excessive forward or sideways movement.

- To fix the seat firmly, retract the belt back onto the reel; a ratchet operation may be felt as the belt retracts. Continue to pay the belt back onto the reel until it fits snugly around the child seat.
- Regularly check and refit the child seat to ensure there is no slack in the installation.
- The seat belt must not be twisted and the buckle must not rest on the child seat frame, as it may snap open in an accident.
- Never modify the seat, or install it differently to the instructions.

The above is a guide only. Depending on the features of a particular child seat, e.g. forward or rearward-facing, engage the locking device before or after attaching the belt, as convenient.

Unbuckling the belt and releasing the child seat will allow the belt to resume its normal operation.

Always secure an unoccupied child seat safely. In an accident an unsecured child seat may pose a risk to the vehicle occupants.

Safe use of child restraints



WARNING:

The top tether anchor point must always be used to secure forward-facing child seats (see page 3-29).

Ensure that there is no slack in the webbing and that the restraints fits the child snugly across the rib cage and hips. These are the parts of the body most able to take the force of an impact.

- Ensure the path and position of an integral harness across the shoulders is appropriate for your child's development – consult the manufacturer's instructions.
- The lap strap should pass across the top of the child's thighs, bearing on the pelvis, not the abdominal area.
- Adjust the harness every time so that one or two fingers only can be inserted between the child and the harness. Different clothing on a child can make a difference to the correct fitting of the harness.
- Make sure that the webbing is not twisted.

3-26 Before Driving

- Never modify the seat harness or buckles as this may affect the quick release mechanism.
- Always secure your child correctly, even for a short journey.
- Follow the manufacturer's instructions for harness adjustments.

Booster seats

If a booster seat is used, position the lap section of the adult seat belt over the child's pelvis. The diagonal seat belt should rest on the child's shoulder, not the neck.

Check List – Non-LATCH Child Restraints

Follow the check list each time a child travels in the vehicle:

- Always attach the top tether when installing a forward-facing child seat.
 - Carefully follow the instructions provided by the manufacturer of the restraint system.
 - Always use the appropriate child restraints and adjust harnesses for every child, every trip.
 - Avoid dressing a child in bulky clothing and do not place any objects between the child and the restraint system.
 - No child seat is completely child-proof. Encourage your child not to play with buckle or harness.
- Regularly check the fit of your child seat and replace seats or harnesses that show signs of wear.
 - Ensure that you have removed all slack from the adult seat belt and that the automatic locking device is activated.
 - Never leave a child unsupervised in the vehicle.
 - Activate the rear door child safety locks (see page 2-14).
 - Ensure your child does not exit the vehicle from the side where there is traffic.
 - Set your child a good example – always wear your seat belt.

LATCH Child Restraint System

LATCH (Lower Anchors and Tethers for Children) child seats have two rigid or webbing mounted attachments that connect to two anchor points provided at specific seating positions in your vehicle.

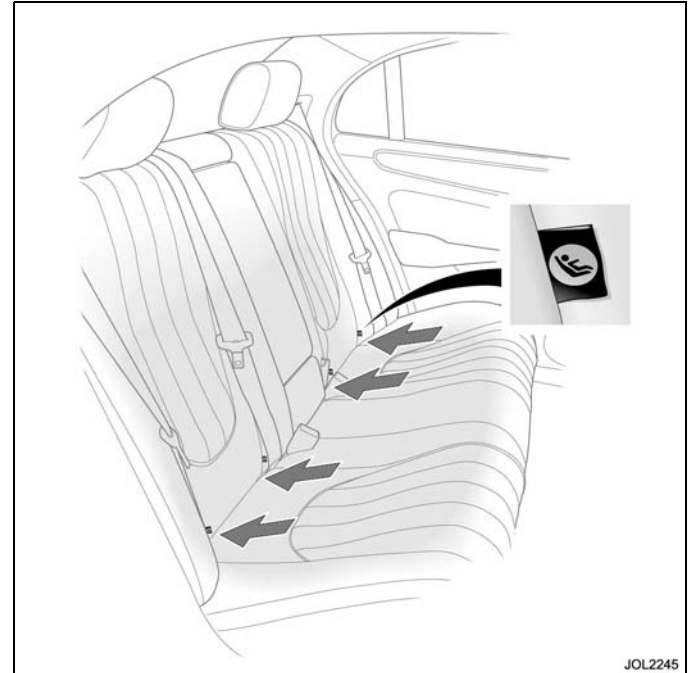
This eliminates the need to use seat belts to secure this type of child seat. If a forward-facing child seat is used it must also be attached to the top tether anchor point located on the rear shelf.

The LATCH restraints system uses two anchorage loops fixed to the vehicle body for each rear outboard seat position, as shown opposite. The anchorage loops are accessible through the gap between the rear seat back and cushion.

The child seat, which must be specifically designed for LATCH system fitting, is clipped into the loops via rigid extendable bars or a flexible tether strap. A quick release mechanism is usually incorporated to allow easy removal of the child seat.

Always ensure that the child seat anchorage straps or legs and the vehicle anchorage loops are kept clean and free of dirt.

Note: Forward-facing child seats using the LATCH system must also be secured with a top tether (see page 3-29).



3-28 Before Driving

Fitting LATCH seats

For further information regarding a LATCH child seat, please consult your Jaguar Retailer.

Always use the additional top tether anchorage.

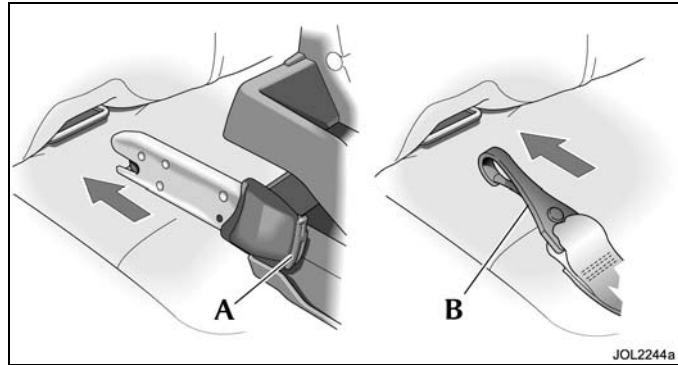
LATCH child seats can only be fitted to the two outer rear seat positions, as shown on the previous page.

Caution: When fitting a LATCH child seat, the seat manufacturers instructions must always be followed. The following is a guide only.

Note: So as not to interfere with the fitment of large child seats, push the adult seat buckles into their buckle recesses and, if necessary, remove the headrest.

LATCH seat with extendable bars (A) – Fit the seat as follows:

1. Expose the LATCH loops between the seat and seat back.
2. Make sure that the adult seat belts and buckles do not become trapped behind the child seat.
3. Make sure there is nothing obstructing the seat mounting mechanism at the anchorage points.
4. Make sure you do NOT trap the top tether strap behind the child seat.
5. Fully extend the two attachment bars on the child seat (see manufacturer's instructions).
6. Locate the slots on the ends of the bars onto the two LATCH loops, then push the seat assembly rearwards until the bars are positively engaged (a trigger operates to lock the attachment bars onto the loops).



7. Slide the seat rearwards along the legs until it is locked firmly against the vehicle seat back. Confirm that it is securely locked in position.
8. Secure a forward-facing child seat to the top tether anchorage.

LATCH seat with tether straps (B) – Clip the flexible lower straps to the two LATCH loops. Adjust the length of each strap until the seat is held firmly against the vehicle seat back.



WARNING:

Do not install a LATCH child seat with flexible lower attachments in the vehicle centre seat position. The anchorage loops are only provided to install a compatible child seat in the vehicle outboard seat positions.

Child restraint top tether anchorages and brackets

 **WARNING:**

The top tether must always be used to secure forward-facing child seats.

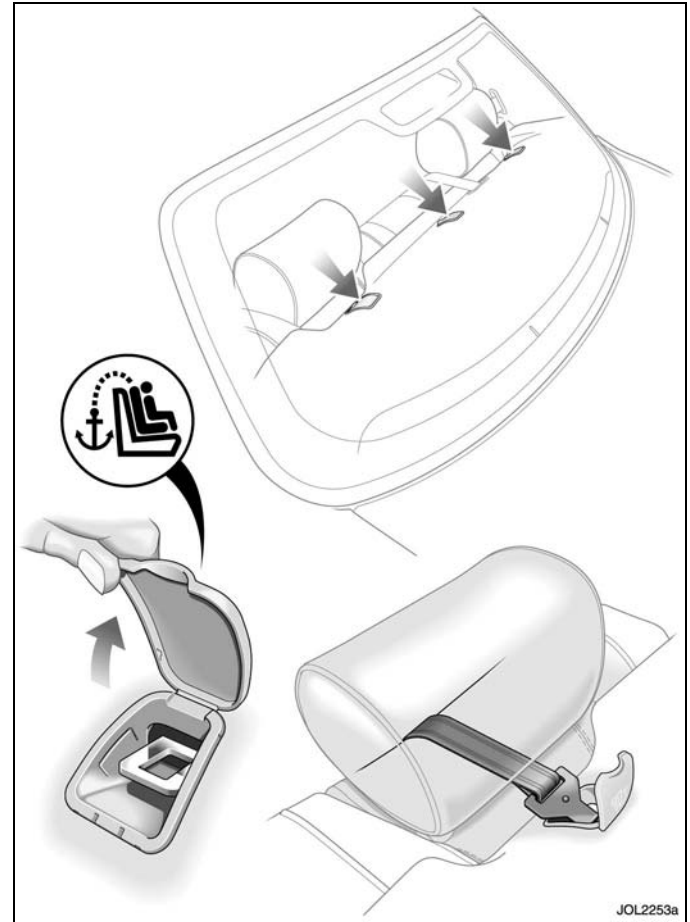
The top of the child seat is connected by a short strap to a top tether bracket to prevent any tendency of the seat to rotate about the lower anchorages. The top tether brackets are positioned on the rear parcel shelf, under access covers, at the centre-line of each rear seating position.

Fit the top tether in combination with the lower LATCH attachments or other child restraints to secure the seat.

Connect the top tether to the child seat (if it is not part of the seat) and pass it under the vehicle rear head restraint to connect to the fixed tether bracket on the rear shelf. Adjust the length of the top tether strap to hold the top of the child seat against the vehicle seat back.

 **WARNING:**

Child restraint anchorages are designed to withstand only those loads imposed by correctly fitted child restraints. Under no circumstances are they to be used for adult seat belts or for attaching other items or equipment to the vehicle.

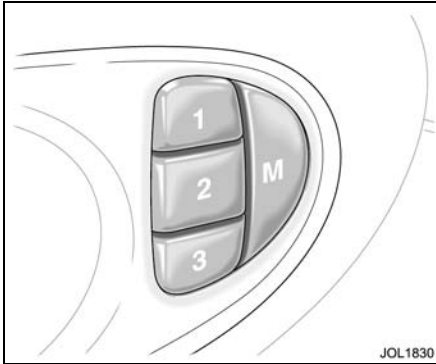


3-30 Before Driving

Check List – LATCH Child Restraints

Follow the check list each time your child travels in the vehicle:

- Always attach the top tether when installing a forward-facing seat.
- Carefully follow the instructions supplied with the child seat.
- Always give the seat a final pull to ensure the lower anchors are secure, even if the seat has indicators to show that the seat connectors are latched.
- Always use the appropriate child restraints and adjust harnesses for every child, every trip.
- Make sure you use a seat with the correct weight range for your child.
- Avoid dressing your child in bulky clothing and do not place any objects between the child and the restraint system.
- Regularly check the fit of your child seat and replace seats or harnesses that show signs of wear.
- No child seat is completely child-proof. Encourage your child not to play with the buckle or harness.
- Never leave a child unsupervised in the vehicle.
- Activate the rear door child safety locks (see page 2-14).
- Ensure your child does not exit the vehicle from the side where there is traffic.
- Set your child a good example – always wear your seat belt.



Memory Setting

This facility enables three different comfort positions to be memorised and recalled for each occupant:

- The driver's seat, steering column, pedals and exterior rear view mirrors.
- Rear passenger seat positions when memory is fitted to these.

The key does not have to be in the ignition switch to make seat, steering column and pedal adjustments but is required to be in the switch to set the memory.

Setting a memorised position

To store a driver's seat position in the memory:

1. Adjust the seat, steering column, pedals and exterior rear view mirrors to the desired positions.
2. Insert a key into the ignition switch and leave in the OFF position.
3. Push memory button M and the red LED in the switchpack will illuminate for a five second period.
4. While the red LED is illuminated, push button '1', '2' or '3' to memorise the configuration. The LED will go out and a chime will indicate that the setting procedure is complete.

By repeating these three steps and pressing the unused buttons, two more driving positions can be stored in the memory.

To set a new driving position, adjust to the desired position and perform steps 2 and 3. The previous memory will be erased and the new position will be set.

The rear passenger's seats can also be memorised by repeating steps 2 and 3 above after adjusting the seat to the desired position.

Recalling a memorised position from the door switchpack

Ensure the gear selector lever is in position 'P'.

Press and release the appropriate memory button ('1', '2' or '3'). The seat, steering column, pedals and door mirrors will move automatically to the memorised position.

3-32 Before Driving

Memory recall using an integrated key

The integrated key will recall a memory position when the unlock button is pressed when set as follows:

1. Adjust the seat, steering column, pedals and exterior rear view mirrors to the desired positions.
2. Press the M button: The red LED will illuminate for a five second period.
3. Press button '1', '2' or '3' and then press any button on the integrated key. Both button presses must occur while the red LED is illuminated.
4. Repeat for the other integrated key, pressing the remaining memory buttons.

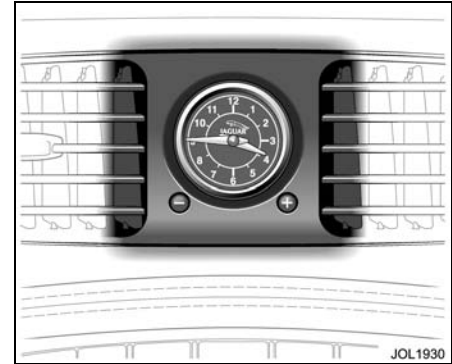
To cancel integrated key memory recall:

1. Place a key into the ignition switch and leave in the OFF position.
2. Press the M button: The red LED will illuminate for a five second period.
3. Press any button on the integrated key (except the panic button, if fitted) then press the M button again. Both button presses must occur while the red LED is illuminated.

Note: If memory recall is performed using an integrated key with the vehicle in entry/exit position, the steering column and seat will not return to the memorised position until either the integrated key is placed in the ignition switch or the driver's door is closed.

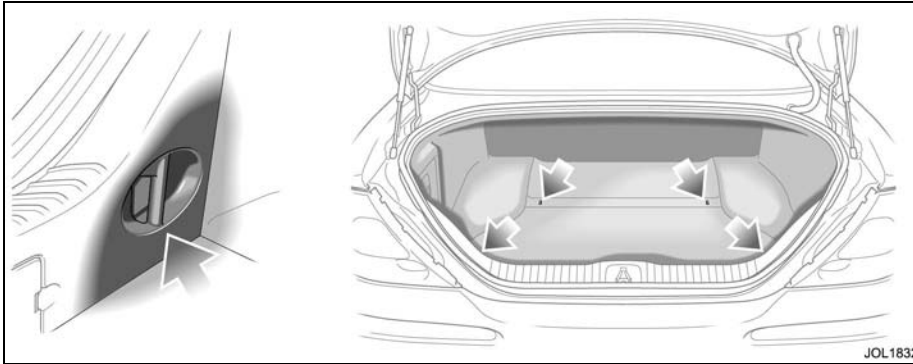
Driving position memory system operating tips

- When making adjustments to a set driving position, reset the new position in the same memory channel.
- A driving position will only be memorised during the five second period when the red memory LED is illuminated.
- Previous memory is erased when a new driving position is entered.



Clock Adjustment

The analogue clock is adjusted by pressing the (+) and (-) buttons below the dial. Pressing and holding either button will increase the rate of hand movement forwards or backwards as required.



Luggage Compartment

WARNING:

1. Locate heavy loads in the luggage compartment towards the front of the vehicle and secure them to stop them sliding. Loose items can be a hazard.
2. Do not drive with the luggage compartment lid open as exhaust fumes can be drawn into the passenger compartment.

Luggage Tie-down Loops

Four loops are positioned in the luggage compartment for attaching straps to secure loads and prevent them from sliding over the luggage floor.

These loops are not to be used for securing passengers or animals nor as anchorages for child restraints.

It is advisable to distribute luggage weight evenly over the entire luggage floor area.

A range of Jaguar storage accessories, including a luggage retaining net, are available from your Retailer.

3-34 Before Driving

Ski Hatch

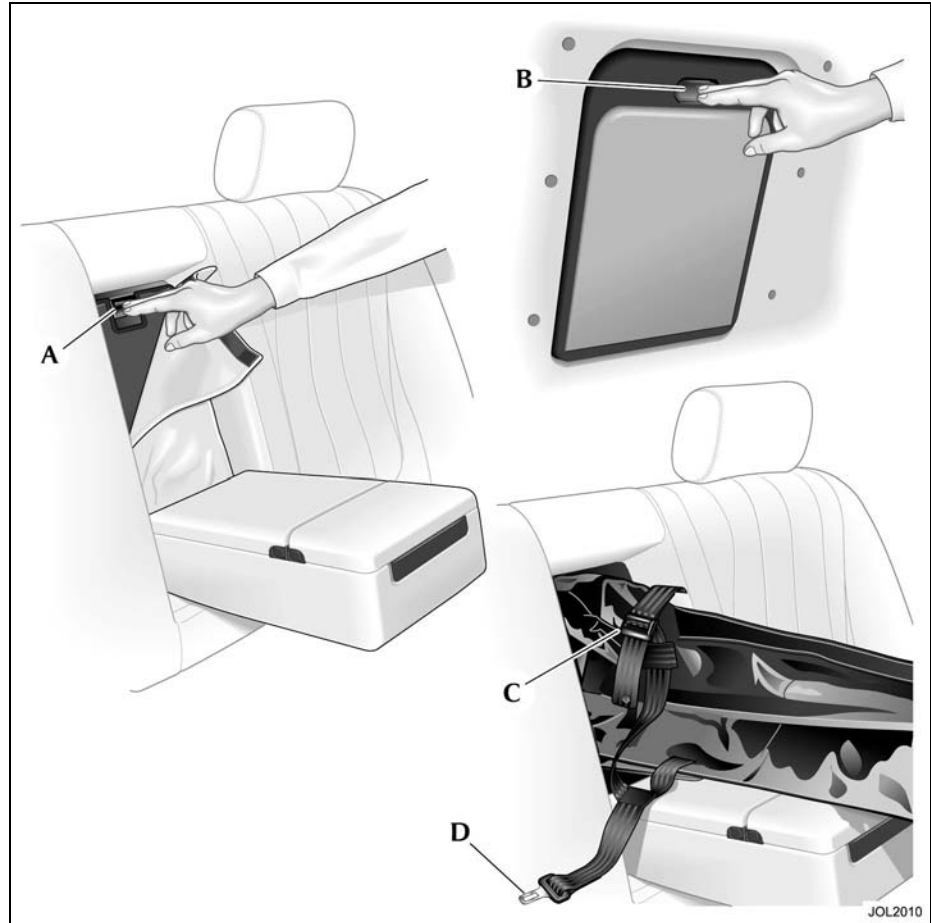
A two-door hatch is fitted to the rear seat on some models, providing an opening between the passenger and luggage compartments. This allows space for skis or similar objects to be stowed in the vehicle. Both doors have a single catch.

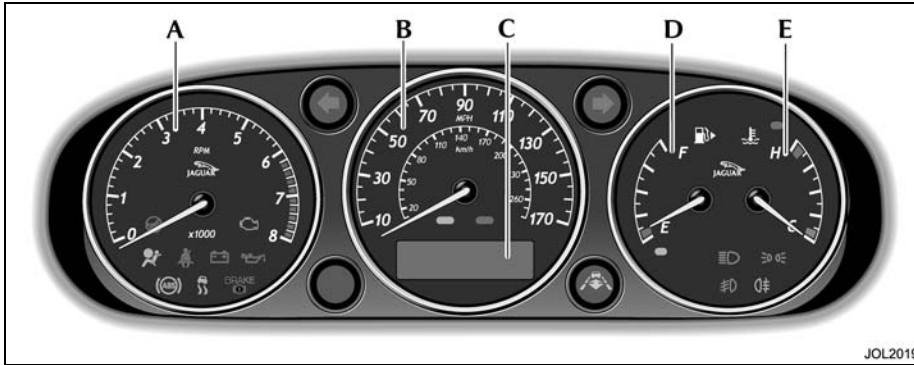
The inner door is accessible after folding down the armrest. To open the door, pull the leather flap forward, press the catch (A) downwards and gently lower the door on to the armrest.

A bag for retaining the skis can now be pulled from the receptacle into the passenger compartment, and the strap (C) loosened ready to accept the skis.

The other door is accessible from inside the luggage compartment and is opened by pushing the catch (B) and lowering the door.

Push the skis into the bag from the luggage compartment and then secure the skis using the strap provided on the bag. Clip the strap connector (D) to the centre rear seat belt buckle.





Instruments

None of the instruments will show correct indications until the ignition is switched ON (position 'II').

If the exterior light switch is ON and the ignition is ON, the display brightness can be varied using the dimmer switch (page 4-25).

Tachometer (A)

The tachometer indicates engine speed in revolutions per minute and is calibrated in increments of 250 rev/min extending to 8000 rev/min (to 7000 rev/min for supercharged vehicles).

Caution: Do not allow the needle to enter the red sector.

Speedometer (B)

Speed indication is in either:

USA – Miles per hour, the outer figures, and kilometres per hour on the inner ring.

Canada and Mexico – Kilometres per hour, the outer figures, and miles per hour on the inner ring,

Odometer (C)

Records the total distance covered by the vehicle.

The odometer reading is displayed below the speedometer, along with the trip distance since it was last reset. To reset the trip distance, press the reset button on the trip computer switchpack. The trip distance will roll-over at 9999.9 miles (or 16,090 kilometres).

The odometer is displayed in the message centre unless a message has priority or a trip computer function has been selected.

Fuel Level Gauge (D)

Indicates the amount of fuel in the tank.

A warning light is displayed in the gauge when the fuel in the tank is at a low level. The tank should be refilled at the earliest opportunity.

The small arrow, shown beside the fuel pump symbol, identifies on which side of the vehicle the filler cap is located.

4-4 On the Road

Engine Temperature (E)

Drive at moderate road and engine speeds until normal operating temperature is reached. This is indicated when the pointer is between the blue (cold) segment and the red (hot) segment.

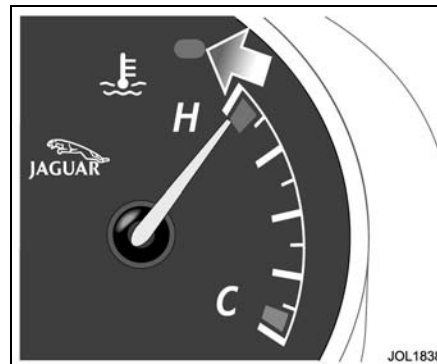
The engine operating temperature will vary with changes in weather and engine load. The engine temperature may rise in some circumstances, such as:

- Idling for long periods in slow moving traffic.
- Driving up a long hill in hot weather.
- Driving slowly or stopping after driving at high speed.
- Towing a trailer or caravan.



WARNING:

1. The radiator cooling fans may continue to run after the ignition has been switched off but will automatically switch off when the engine has cooled sufficiently.
2. It is unsafe to run the engine in an overheated condition.
3. Do not remove the coolant reservoir filler cap while the engine is hot. If it is essential, then protect your hands against escaping steam. **SLOWLY** turn the cap anti-clockwise to allow the steam pressure to escape completely before removing the cap.



Should the pointer move into the red segment (H) of the coolant gauge, stop the vehicle as soon as it is safely possible, turn off the engine and open the hood to allow the engine to cool.

Warning Lights

Warning lights are arranged within the instrument cluster.

There are two warning lights, one red, the other amber, located above the message centre for primary and secondary status of the warnings displayed by the message centre.

‘RED’ warning lights are for primary warnings. A primary warning must be investigated immediately by the driver or a Jaguar Retailer.

‘AMBER’ warning lights are for secondary warnings when the driver must take action and then report the fault to a Retailer at the earliest opportunity.

Other lights within the instrument cluster indicate system status, such as blue for main beam and green for direction indicators, when in operation.

Lamp check

A lamp check is initiated when the ignition is switched ON and lasts for three seconds (excepting the air bag warning light which will remain on for 6 seconds). If any warning light remains on after this period, investigate the cause before driving.

Note: Not all lamps are included in the lamp check, for example main beam headlights or direction indicators.

Low Oil Pressure (RED)



This lights up with the ignition switched ON and should go out once the engine is running.

If the light remains ON once the engine has started or comes ON whilst driving, loss of oil pressure is indicated. STOP the engine immediately and investigate the cause.

Caution: Do not restart the engine until the cause of loss of oil pressure has been identified and rectified.

First check the engine oil level, see page 7-6.

4-6 On the Road

Charge Indicator (RED)



This lights up when the ignition is switched ON and should go out when the engine is running.

If the light stays ON when the engine is running it indicates that there is either a battery voltage fault or a generator fault.

Turn OFF all electrical accessories, radio, climate control, rear screen heater etc.

Try to use the minimum electrical load as possible such as power windows, electric sunroof etc. Report the fault to a Jaguar Retailer.

Seat Belt (RED)



The warning lamp lights when the ignition is ON and:

- The driver's seat belt is not fastened.
- A passenger is sitting in the front seat and their seat belt is not fastened.

The light should go out when the driver's seat belt (and the front passenger's if the seat is occupied) is fastened.

Note: The vehicle must be moving above 10 mph (16 km/h) for the lamp to illuminate if the passenger seat belt is not fastened.

Beltminder

The Beltminder feature is a supplemental warning to the seat belt warning function. This feature provides additional reminders to the driver that the driver's and/or front passenger's seat belt is unbuckled by intermittently sounding a chime and illuminating the seat belt warning light in the instrument cluster.

If the vehicle is moving above 10 mph (16 km/h) and one or both front seats are occupied and a seat belt is not fastened, a warning chime will be heard and the light will flash.

The chime sound and the light flashing will last for 10 seconds and then repeat every 30 seconds for five minutes or until the belts are fastened or the vehicle stops.

If the warning light stays ON steady with the seat belt(s) fastened, report the fault to a Jaguar Retailer. It is safe to drive the vehicle with the light ON steady, provided that the seat belt(s) is properly fastened. Ensure that all occupants seat belts are fastened before driving.

Although not advisable, it is possible to disable or reinstate the Beltminder function. Please see a Jaguar Retailer.

Note: If a heavy object is placed on the front passenger seat it may activate the Beltminder feature. It is recommended that the object be placed in the luggage compartment.

Brake (RED)



Lights up when:

- The ignition is ON and the parkbrake is ON.
- There is a fault with the parkbrake.
- The brake fluid is low.

If the light is ON and there are no associated messages it means that the parkbrake is applied.

If the light flashes, there is a fault with the parkbrake system and the parkbrake cannot be applied.

If the light is ON and the message 'PARKBRAKE ON' is displayed, it means that the parkbrake is applied but the vehicle is moving. Release the parkbrake or stop the vehicle when it is safe to do so.

If the light is ON and the message 'LOW BRAKE FLUID' message with a RED priority light is displayed on the message centre, low brake fluid is indicated. In this case, loss of braking in one, or both, brake circuits may be imminent.



WARNING:

If the message 'LOW BRAKE FLUID' is displayed, DO NOT drive the vehicle until the fault is rectified. Consult a Jaguar Retailer immediately.

Anti-lock Braking System (ABS) (AMBER)



If a fault has been detected in the anti-lock brake system (ABS) or the electric parkbrake system, this light will illuminate.

A warning message will appear with this light to indicate either ABS fault or parkbrake fault.

The brake system will continue to function normally, but without ABS braking.

Should the light come on or stay on after the bulb check cycle, stop the vehicle at the first opportunity, turn the engine OFF and then restart.

If the ABS light comes on again, the vehicle should be driven to a Jaguar Retailer at the earliest opportunity.



WARNING:

If the ABS and brake warning lights are ON at the same time, DO NOT drive the vehicle until the fault is rectified. Consult a Jaguar Retailer immediately.

4-8 On the Road

Dynamic Stability Control (DSC) (AMBER)



The light will flash at the rate of twice a second when DSC is operating.

The message 'DSC NOT AVAILABLE' will be displayed and the light will be ON continuously when a fault is detected in the system.

If the system is turned OFF, a message 'DSC OFF' will be displayed for 4 seconds and the warning light will remain ON.

Engine Malfunction (AMBER)



This light comes on when the ignition is on and remains on until the engine is started.

If the light comes on when the engine is running then there is an engine malfunction.

Specialised diagnostic equipment is required to repair such faults. Report the fault to a Jaguar Retailer.

The vehicle may go to 'limp-home' mode, with the possibility of reduced engine performance. Drive the vehicle with caution.

ACC Follow Mode (AMBER)



If adaptive cruise control is active, this lights up to indicate that the vehicle is in 'follow mode' and automatically maintaining the desired gap to the vehicle immediately ahead.

Only applicable to vehicles fitted with adaptive cruise control.

Air Bag (AMBER)



If the air bag system develops a fault, the warning light will flash and then come ON and remain on until the fault has been diagnosed and cleared.

Report the fault to a Jaguar Retailer immediately.

It is safe to drive the vehicle; however, in an accident the air bags may not operate.

Sidelights (GREEN)



Illuminates when the sidelights or headlights are switched ON either manually or by the autolamp system, if fitted.

Main Beam (BLUE)



Illuminates when the main beam headlights are switched ON or flashed ON.

Front Fog Lights (GREEN)



Illuminates when the front fog lights are switched ON.

Rear Fog Lights (AMBER)



Illuminates when the rear fog lights are switched ON.

Direction Indicators (GREEN)



The appropriate indicator tell-tale light will flash when the column switch is moved up or down to signal a right or left-hand turn.

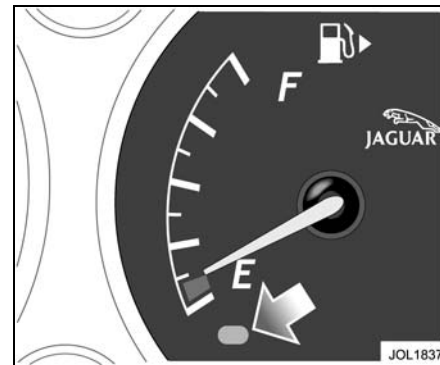
If a direction indicator fails, the tell-tale will flash at twice normal rate when that indicator is selected. A message will be shown that a bulb has failed. Fit a new bulb immediately.

Note:

1. If a bulb has failed, the audible ticking will sound at twice the normal rate.
2. If a trailer or caravan is fitted and a direction indicator bulb fails then the tell-tale will flash at twice the normal rate and a message will be displayed that a rear indicator lamp has failed.

Hazard Warning Lights

When the hazard warning is selected, both direction indicator tell-tale lights flash simultaneously.



Low Fuel Level

An amber warning light is displayed in the gauge when the fuel in the tank is at a low level. The tank should be refilled at the earliest opportunity.

4-10 On the Road

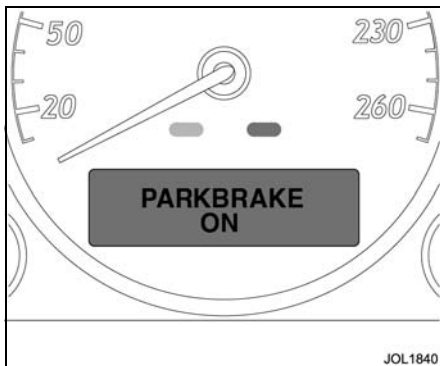
Audible Warnings

Various sounds are produced for warning and notification purposes as follows:

| Hazard or Condition | Remedy/chime or tone |
|---|---|
| Air bag system failure. | A tone sequence is repeated five times. Report the fault to a Jaguar Retailer as soon as possible. |
| External lights remain ON when the driver's door is opened. | A chime will sound for 10 seconds as a warning that the lights are on when the ignition is off and the drivers door is opened. Switch lights off. Note: The chime will not sound if the switch is in Autolamp position. |
| Key in ignition switch. | A chime will sound if the key has been left in the ignition and the driver's door is opened after the ignition has been switched off or turned to position '1'. |
| Hazard warning indicators ON. | A ticking will sound until the hazard indicators are switched OFF. |
| Vehicle armed. | This warns that the alarm will sound shortly unless the system is disarmed by either pressing the unlock button on the key transmitter or by placing the key in the ignition switch. |
| Left or right direction indicators ON. | If the switch has not turned itself OFF, switch the turn indicator OFF when the manoeuvre is completed. A ticking will sound until the indicators are switched OFF. |
| Memory 1, 2 or 3 configuration saved. | A short tone as the memory selection is saved. |

| Hazard or Condition | Remedy/chime or tone |
|---|--|
| Valet mode. | This indicates that the valet mode has not been set or that access to a restricted area has been prevented because valet mode has been set. |
| Seat belt reminder. | A chime will sound for 60 seconds after the ignition is switched on or until the driver's seat belt is fastened or the ignition switch turned to '0'. The chime will also sound at regular intervals for five minutes if the vehicle is moving above 10 mph (16 km/h) and the driver's and/or front passenger's (if occupied) seat belts are not fastened or are unfastened. |
| Electric parkbrake. | If the message 'PARKBRAKE ON' is displayed, it means that the parkbrake is applied but the vehicle is moving. Release the parkbrake or stop the vehicle when it is safe to do so. |
| Parkbrake cannot be applied. | This sounds a warning that the parkbrake cannot be applied. The parkbrake needs to be reset. Release the parkbrake, depress the footbrake and at the same time apply the parkbrake. |
| Adaptive cruise control driver intervene. | Action is required by the driver to apply the brakes. |
| Gear selector not in 'Park'. | This warns that the gear selector is not in Park when the ignition is turned off. |

4-12 On the Road



Message Centre

Driver information, messages and data are displayed on the message centre display panel situated within the instrument cluster.

For the message centre to operate the ignition must be switched ON (position 'II').

The primary function of the message centre is to inform the driver of the following:

- Warning messages.
- Temporary alert messages.
- Information messages.

The message centre displays:

- The total distance covered by the vehicle.
- Trip computer information.
- Warning messages if system faults are detected.
- Status messages to indicate changes in state of certain vehicle functions.

Messages



WARNING:

If a red warning light is displayed, investigate immediately and, if necessary, stop the vehicle as soon as possible but only when it is safe to do so.

Most messages, when displayed, have an associated warning light, red or amber, above the display which will come on to indicate the message priority.

If more than one message is active, each is displayed in turn for two seconds in order of priority.

Messages take priority over the odometer reading or trip computer data and, if active, will be displayed when the ignition is switched ON.

Message centre illumination

The message centre is lit at all times when the ignition is ON, and message brightness is controlled by the dimmer switch.

All information displayed will be brightly lit if the exterior light switch is OFF.

Note: Warning lights are always brightly lit and are not affected by the dimmer switch.

Language Selection

The displayed language can be changed to another language, if required.

Press the ML/km button on the trip computer switchpack and whilst pressing, turn on the ignition to position 'II'. Now press the ML/km button, each press will display a different language. When the desired language is shown, press the A/B button. After three seconds the new language will be displayed for every message.

Note: If you wish to exit the language changing procedure and keep the original language, do not press the A/B button but wait 10 seconds or turn the ignition off.

Clearing Messages

Messages can be hidden by pressing RESET on the trip computer switchpack. One press will hide one message. Once all messages have been hidden, the display will show trip data, a further press will display the odometer reading.

If RESET is pressed again, all active messages will be 're-displayed'. Repeatedly pressing the RESET button will cycle through the trip, odometer and message modes.

If a fault occurs when in trip computer or odometer mode, the relevant message will be displayed immediately.

If a trip computer function is selected by pressing the TRIP button while messages are displayed, the trip data will be displayed for 10 seconds, then the message will reappear.

Note: Hidden messages reappear after an ignition OFF/ON cycle, if the fault remains.

Trip Computer

The computer memory stores data for a journey or series of journeys until it is reset to zero.

The displayed information is for guidance only, as it can be affected by traffic, road and weather conditions.

Two independent memories are available (A and B) to allow two separate journeys to be recorded concurrently, for example, work usage and evening/weekend usage.

Trip distance, average fuel economy and average speed will be prefixed A or B depending on the current memory selected.

Press the TRIP button on the end of the left column stalk switch repeatedly to display the data in the following order:

- Odometer.
- Trip distance.
- Range.
- Current fuel consumption.
- Average fuel economy.
- Average speed.
- Messages.

Odometer

The odometer shows the total vehicle distance travelled since the vehicle was new.

When the ignition is switched ON (position 'II') the display shows the odometer reading unless another trip computer function was previously selected or a warning message is displayed, for example, 'DOOR OPEN'.

The odometer reading is displayed in either miles or kilometres, depending on the units selected with the trip computer.

Trip Distance (A/B)

Distance travelled since the last memory reset. The maximum trip reading is 9999.9 miles (16,090 kilometres). The computer, either A or B, will automatically reset to zero if this distance is exceeded.

Range

Predicted distance, kilometres or miles, that the vehicle should travel on the remaining fuel, assuming average fuel economy and fuel consumption stay constant.

4-14 On the Road

Current Fuel Consumption

Instantaneous or 'at the moment' fuel consumption, which is continuously updated.

Average Fuel Economy (A/B)

The average fuel consumption, miles per gallon (or litres per 100 kilometres), based on the accumulated distance travelled and the accumulated fuel used.

Average Speed (A/B)

The average speed since the last press of the reset button.



Trip Computer Switchpack

ML/km

Pressing the 'ML/km' button alternately displays data in metric or imperial units.

A/B

Selects either A or B trip memory.

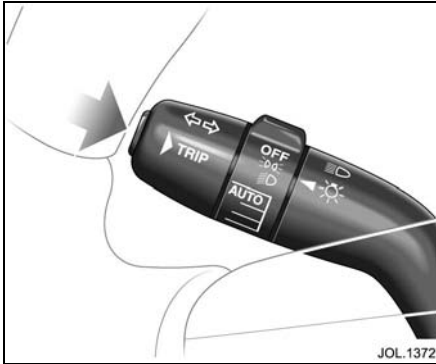
Select the required data using the column stalk TRIP button and then pressing A/B will show the A or B information for that data.

RESET

- One short press clears (hides) the displayed message. Continue to give brief presses to clear one message after another until all messages are cleared.
- Press and hold for three seconds to reset or clear the selected trip, A or B, to zero.

Note: If warning messages are hidden, the warning/fault still exists and requires investigation.

Warning and Information messages have priority over trip data and, if active, will be displayed when the ignition is at position 'II'.



The display will read:
RESETTING
TRIP A (or B).

Then it will reset and display:
A: 0 (or B: 0) or the new value.

Note: All trip functions, for A or B depending on which was selected, will be reset.

Setting the Trip Computer


At the start of the journey, or series of journeys, to be recorded, reset the computer memory to zero as follows:

1. Press the TRIP button on the end of the left column stalk switch to select a trip function. The computer will display either TRIP A: or TRIP B: data.
2. Press the A/B button to select the trip (A or B) to be reset.
3. Press the RESET button and hold for 3 seconds.

4-16 On the Road

Messages

The table on this and the following pages lists all messages and warning lights and explains their meaning.

| Message | Warning Light | Priority Indicator | Meaning |
|------------------------|----------------------------|--------------------|---|
| LOW BRAKE FLUID | Brake | Red | Displayed when the brake fluid level is low. Complete loss of braking may occur.  WARNING: DO NOT drive the vehicle until the fault is rectified. Consult a Jaguar Retailer immediately. |
| ENGINE COOLANT LOW | None | Red | Displayed when the coolant level in the reservoir is too low or is empty. Check temperature gauge often. The coolant reservoir should be topped up at the earliest opportunity and any leaks repaired. |
| CATS SYSTEM FAULT | None | Amber | Displayed when a fault is detected in the adaptive damping (CATS) system (only those vehicles fitted with adaptive damping suspension). Report the fault to a Jaguar Retailer at the earliest opportunity. |
| RESTRICTED PERFORMANCE | None | Red | This will be displayed when the vehicle has possible loss of power or driveability. Report the fault to a Jaguar Retailer. |
| ENGINE SYSTEMS FAULT | Malfunction Indicator lamp | Red | Displayed when the engine has defaulted to 'limp-home' mode. Report the fault to a Jaguar Retailer at the earliest opportunity. |

| Message | Warning Light | Priority Indicator | Meaning |
|-------------------------------------|---------------|--------------------|--|
| AIR SUSPENSION FAULT | None | None | Drive the vehicle with caution and inform your nearest Jaguar Retailer to have the fault rectified. |
| VEHICLE TOO LOW | None | None | The air suspension system is too low. Start the engine and wait for the message to clear before driving the vehicle. If the message is displayed while you are driving, restrict your speed until the message is cleared. If the message is persistently shown, inform your Retailer. |
| DRIVER'S (or PASSENGER'S) DOOR AJAR | None | Red | The driver's and/or one or more passenger doors are open. Check that all doors are closed before driving. |
| TRUNK OPEN | None | Red | Check that the luggage compartment lid is closed before driving. |
| HOOD OPEN | None | Red | Check that the hood is closed before driving. |
| ABS FAULT | ABS | Amber | ABS will not be available. The braking system will work but care must be used if braking heavily. |
| STEERING COLUMN LOCKED | None | Amber | The steering lock system has failed to unlock the steering column. The engine cannot be started. Remove the key and re-insert it into the ignition switch, then try again to unlock the column by turning the steering wheel gently to the left and right (only small movements will be possible). |
| TRANSMISSION FAULT | None | Amber | It is likely that the driver will experience a degradation of transmission operation and possibly reduced acceleration capability. |

4-18 On the Road

| Message | Warning Light | Priority Indicator | Meaning |
|-----------------------|------------------------|--------------------|--|
| DSC NOT AVAILABLE | Stability Control | Amber | Displayed when a fault occurs in the stability control system. |
| DSC ON (or OFF) | Stability Control | Amber (OFF only) | Displayed when the stability control system is switched ON or OFF. The warning light will FLASH when the stability control system is switched ON and operating. When the system is switched OFF, the warning light in the instrument cluster will be illuminated until the system is switched back ON. |
| WASHER FLUID LOW | Low washer fluid level | Amber | Indicates that the windscreen wash fluid level is low. If wash/wipe is selected when this message is displayed (even if it has been cleared from the message centre), the programmed wipe after washing will not operate. This is to avoid smearing the windscreen if the reservoir is empty. Top up the washer fluid at the earliest opportunity. |
| VALET MODE | None | None | Indicates that the valet switch is selected on. It also indicates that an attempt has been made to open the luggage compartment using the interior release whilst valet mode is selected. |
| CHECK FUEL FILLER CAP | None | Amber | The fuel filler cap may be loose or leaking excessively. |

| Message | Warning Light | Priority Indicator | Meaning |
|--|---------------|--------------------|---|
| <p align="center">Note: In most countries it is illegal to use a vehicle with a defective exterior lamp bulb. Bulb replacement information starts on page 6-14.</p> | | | |
| LFT (or RT) FRONT TURN LAMP FAILED | None | Amber | Check for any failed front turn lamps and replace. |
| LFT (or RT) REAR TURN LAMP FAILED | None | Amber | Check for any failed rear turn lamps and replace. Note: This also applies to any trailer/caravan lamps. |
| FAILED LEFT (or RIGHT) SIDE REPEATER | None | Amber | Check for failed side direction indicator repeater lamps and replace. |
| LIGHTS ARE OFF | None | Amber | This is displayed with the ignition on, the light switch in the OFF position and it is dark or ambient light level is low. This message is displayed only when the lights would be on if the switch were in AUTO position. It is a reminder to drivers who normally leave AUTO lamp selected on and may not be aware that it has been turned off. |
| APPLY PARKBRAKE | None | Amber | If the battery has been disconnected then the parkbrake must be applied to reset the system. |

4-20 On the Road

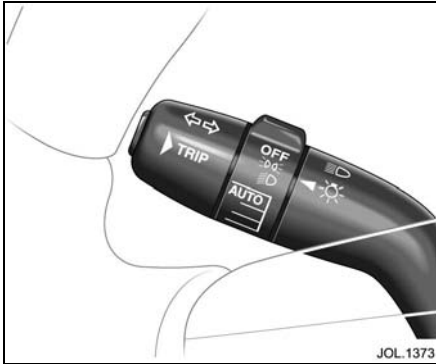
| Message | Warning Light | Priority Indicator | Meaning |
|---------------------------|---------------|--------------------|---|
| PARKBRAKE FAULT | None | Red | Displayed when there is a fault in the parkbrake system. If the red brake warning lamp is flashing the parkbrake cannot be applied. |
| PARKBRAKE ON | Brake | None | Displayed if the parkbrake is applied whilst the vehicle is moving above 2 mph (3 km/h). Release the parkbrake. |
| LISTENING | None | None | When Voice Activation has been selected and the system is waiting for a voice command/input. |
| COLUMN ADJUST | None | None | The column adjust switch has been moved to COLUMN ADJUST position. |
| COLUMN ADJUST AUTO | None | None | The column adjust switch has been moved to AUTO position. |
| PEDAL ADJUST | None | None | The column adjust switch has been moved to PEDAL ADJUST position. |
| PEDAL ADJUST INHIBITED | None | None | The pedals cannot be adjusted when the vehicle is in cruise control operation. |
| AUTOLAMP DELAY OFF | None | None | Autolamp delay function has been turned off. |
| AUTOLAMP DELAY X:XX | None | None | Changing the time delay will display the newly set time that the headlights will remain ON after exiting the vehicle. |

| Message | Warning Light | Priority Indicator | Meaning |
|------------------|---------------|--------------------|--|
| CRUISE ENGAGED | None | None | Displayed when cruise control system is operating. |
| CRUISE CANCELLED | None | None | Driver has cancelled cruise control or is braking. |
| CRUISE OVERRIDE | None | None | Driver is pressing the accelerator pedal. |

| The following messages only apply to vehicles fitted with adaptive cruise control. | | | |
|--|--|-------|--|
| DRIVER INTERVENE | | Red | Action by the driver to apply the brakes is required. |
| SETSPEED XXX MPH (or km/h) | | None | Speed set for adaptive cruise control. |
| GAP ← — → | | None | Set the distance (time gap). |
| ACC SENSOR BLOCKED | | Amber | Clean the front of the vehicle in the area of the sensor unit (the sensor is mounted behind the left-hand cover in the lower cooling air inlet). |

4-22 On the Road

| Message | Warning Light | Priority Indicator | Meaning |
|---------------------------|---------------|--------------------|---|
| CRUISE NOT AVAILABLE | | Amber | Adaptive cruise malfunction. |
| FORWARD ALERT ON (or OFF) | | None | Forward alert feature has been switched ON or OFF. A warning will not be given for objects detected in the vehicle path of travel if forward alert is switched OFF. |
| FORWARD ALERT ← - → | | None | Forward alert feature has been switched ON or the setting changed. A warning will be given for objects detected in the vehicle path of travel. A longer gap indicates that the system will warn when detected objects are further away than the previous setting. |



Exterior Lighting

Master Lighting Rotary Switch Positions

- OFF.
- Side (parking) lights.
- Headlights.
- Autolamps/exit delay.



WARNING:

It is an offence in certain countries to obscure front and rear lights, direction indicators and reflectors.

The exterior lights are controlled by the left-hand column stalk switch.

The rotary collar on the stalk has three positions for turning the exterior lights on or off and positions for autolamps/exit delay. These are:

OFF – All exterior lights OFF (except vehicles provided with daylight running lights).

Sidelights – Switches on front sidelights, tail, number plate and any other marker lights required by local legislation.

When the external lights are ON the instruments will also be lit.

Headlights – With the ignition in position 'II', this position switches on dipped headlights in addition to the lights switched on in sidelight position.

The left-hand column stalk switch has two positions for controlling the main beam.

Pulling the switch towards the steering wheel and releasing causes the main beam to flash on and off. The main beam can be flashed at any time when the switch is pulled and will remain ON for as long as the switch is held.

The second position is to switch main beam headlights ON. With the ignition in position 'II', first select dipped beam lights, and then push the column light switch away from the steering wheel.

The blue warning light on the instrument cluster and main beam headlights will come ON.

To turn main beam OFF, pull the column switch towards the steering wheel to return to dipped beam.

Note: If dipped beam is switched OFF with main beam still activated, both dipped and main beam will be extinguished. Both dipped and main beam will illuminate if dipped is turned on again.

Autolamps – A light sensor control, mounted on the front of the fascia, monitors exterior light levels and automatically switches the sidelights and dipped headlights ON or OFF.

The ignition switch must be in position 'II' and AUTO selected on the stalk switch for full automatic light operation.

When light fades towards dusk, the sidelights and headlights will switch ON automatically and the sidelight warning light in the instrument cluster will illuminate.

4-24 On the Road

At dawn, as light increases, the sidelights and headlights switch OFF automatically.

Do not cover the sensor and keep the windscreen clean. Obstructing the light in this area of the sensor may lead to unwanted operation of the sidelights and headlights.

Note: If the windscreen wipers are switched on in auto, slow or fast modes for more than 20 seconds then the exterior lights will be switched on, if selected to autolamps mode. The lights will switch off 2 minutes after the wipers are switched off or will go off straight away if autolamps is deselected or the ignition is turned off.

Exit delay

When parking the car at night, if the headlights were switched on then they will remain on for a short period after the key has been removed from the ignition switch. This is to give a clearly lit area for occupants leaving the vehicle.

If the light switch rotary collar is in the AUTO position there will be no exit delay and the headlights will turn off when the light switch is turned off.

Three settings on the rotary collar set the time that the lights will remain on after the key is removed from the ignition switch;

- 10 seconds.
- 30 seconds.
- 2 minutes.

Note: The key must not be in the ignition switch for this feature to operate.

The message centre shows the delay setting or when this feature is turned off.

Headlight convenience

When approaching the vehicle, the sidelights and headlights can be switched on by pressing the headlight button on the remote transmitter.

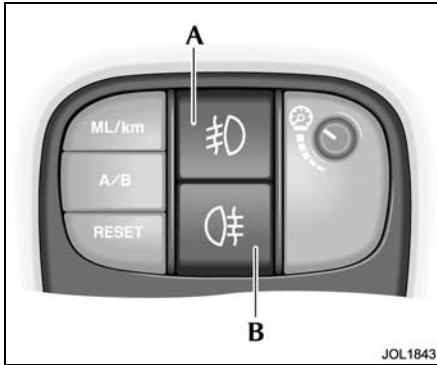
The lights will come on for 25 seconds or can be switched off by pressing the remote transmitter headlight button again.

Daylight running lights

In certain countries it is a legal requirement for the lights to be on during the hours of daylight.

With the rotary collar in the OFF position, dipped headlights, sidelights, tail lights, number plate lights and side marker lights will switch on automatically with the following conditions:

- The ignition is turned to position 'II'.
- The vehicle gear selector out of park.
- The parkbrake is not applied (released).



The fog lights can only be switched on when the ignition switch is in position 'II'.

Front fog lights (A)

With the lights on in sidelight or dip position, press the switch (A) to turn on the front fog lights. Pushing the switch again will turn off the front fog lights.

A warning light in the instrument cluster indicates that the fog light is on.

If the sidelights are turned off, the fog lamps will automatically turn off.

Note: The front fog lights should only be used when visibility is severely restricted by fog.

Rear fog lights (B)

The rear fog lights can only be switched on if the dipped headlights are on or if front fog lights are switched on.

Press the switch (B) to turn on the rear fog lights. Pushing the switch again will turn off the rear fog lights.

A warning lamp in the instrument cluster indicates that the fog light is on.

When the side lights are switched off the fog lights will go off.

If the sidelights are left on but the ignition switch is turned to OFF the fog lights will switch off.



Dimmer Switch

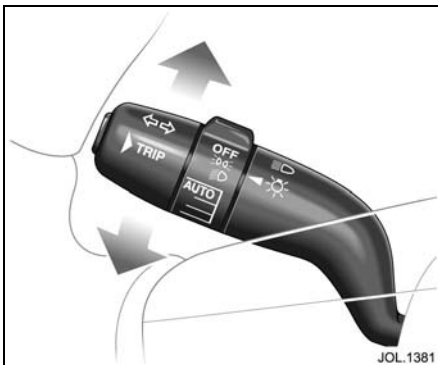
The instruments, switchpacks, in-car entertainment panel and the climate control panel will be lit when the exterior lights are switched on.

Push and release the knob to extend it for ease of operation.

Rotate the knob to adjust the illumination to the required level.

Push the knob again to place it in the stowed position.

4-26 On the Road



Direction Indicators

The direction indicators, the left column stalk, operate when the ignition is in position 'II'. Move the stalk up for indicating a right turn or move it down to indicate a left turn.

Two positions are provided. The first position, partly moving the stalk up or down, causes the indicator to flash while it is held in this position. On releasing the stalk the indicators stop flashing.

The second position is a full movement of the stalk up or down, which can then be released. The indicators will remain flashing and will cancel when the turn is completed.

An audible ticking and a flashing green arrow on the instrument cluster indicates that the selected direction indicator is operating.

Bulb failure

The direction indicators (including those on a trailer, if attached) and side repeaters are monitored for bulb failure. If a bulb fails when it is on, a message is shown in the message centre. At the same time, the corresponding side green warning light will flash at twice the normal rate. The audible ticking will sound at twice the normal rate.

Door Guard/Puddle Lights

Door guard lights are fitted to each door to give warning of an open door to passing vehicles.

Puddle lights illuminate the 'step out' area at night.

Each light comes on automatically when the door is opened. If the door is left open the lights remain on for 5 minutes and then switch off.

Approach Lights

Approach lights are fitted in the door mirrors to provide illumination for the floor area around the front doors.

The approach lights come on when:

- The vehicle is unlocked using a key, key transmitter or the central locking switch.
- Using the headlight convenience button on the key transmitter.
- Reverse gear is selected.

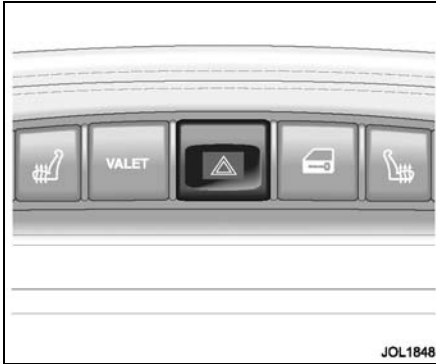
The approach lights will not illuminate if the autolamp sensor determines that the ambient light is sufficiently bright.

Luggage Compartment Lighting

The luggage compartment will be illuminated when the lid is opened.

Glove Compartment

The glove compartment will be illuminated when the lid is opened.

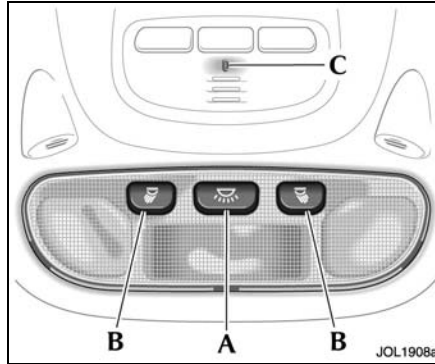


Hazard Warning

The switch is in the centre console below the radio and operates with the ignition ON or OFF. Use only in an emergency to warn traffic of a vehicle breakdown or approaching danger.

To operate, press the switch. The direction indicators, the instrument cluster green indicators and audible warning will operate in unison. The switch symbol will light up.

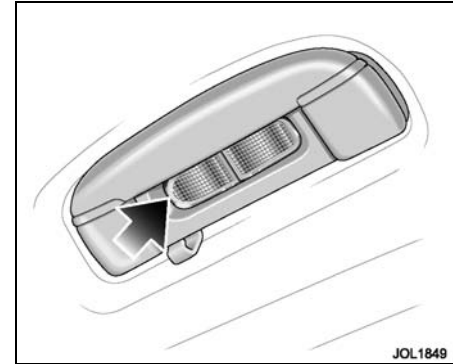
To cancel, press the switch again.



Interior Lighting

Interior lighting comprises front overhead courtesy light and two front and two rear reading/map lights. Vanity mirror, glove compartment, footwell and luggage compartment lights are also provided.

Pressing the centre switch (A) in the overhead console turns the front and rear courtesy lamps and footwell lamps on. A second press turns the lamps off.



Map/reading lamps

The reading/map lights are turned on and off by individual switches (B). The reading/map lights will remain on for up to 15 minutes after the ignition has been turned off.

The centre console area is illuminated by a small light from the overhead console (C). This is on whenever the sidelights are on and can be controlled by the dimmer switch.

Rear lighting

The rear interior lights can be switched on or off by pressing the lens cover.

4-28 On the Road

Illuminated entry/exit

The interior lights fade on when a door is opened and go out when the engine is started or 15 seconds after the last door is closed. If any door is left open, the lights will fade off after two minutes.

When the vehicle is unlocked with a key or the key transmitter, the courtesy lights will come on at maximum brightness for two minutes if a door is not opened.

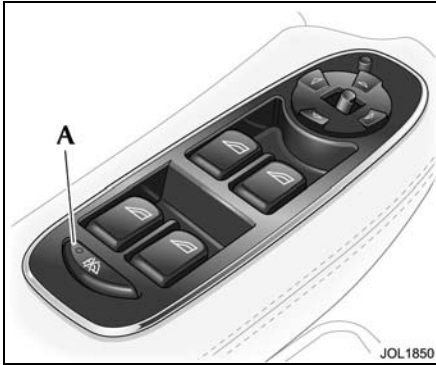
With the engine running, opening any door will put on all interior lights, they will go out immediately after the last door is closed.

Battery Saver

If the interior lights are switched on using the centre switch in the overhead console and the ignition switch is turned to position '0', the lights will automatically turn OFF after 40 minutes.

If the interior lights are switched on by opening a door and the ignition switch is in position '0', the lights will automatically turn off after 10 minutes.

If the glove compartment or vanity mirror lights are switched on and the ignition switch is turned to positions '0' or '1' or the key is removed, the lights will automatically turn OFF after 40 minutes.



Window Operation

The front and rear door windows are electrically operated by switches located on each door.

Switches on the driver's door control all door windows.

Passengers are provided with a switch to control their door window only.

These switches will only operate the windows when the ignition switch is in position 'I' or 'II'.

Button (A) immobilises operation of the rear windows (and front seat adjustment, when fitted) by rear seat occupants.



WARNING:

1. When raising windows ensure all occupants are clear.
2. When leaving the vehicle take the ignition keys to prevent misuse of the window switches by remaining occupants, especially children.

Raise/lower

Each switch has two positions to raise the window and two positions to lower the window.

To lower a window, press the switch downwards to the first position until the desired window position is reached, then release.

To raise a window, pull the switch upwards to the first position until the desired position is reached, then release.

If the switches are held for longer than 6 seconds, for example, when attempting to overcome frozen or jammed windows, the window drive will be switched off for a few seconds to protect the window drive motors.

The windows can be operated with the key removed from the ignition switch within 10 minutes of the vehicle being stopped provided the driver's or front passenger's door has not been opened. If a rear door is opened the windows can still be operated within the 10 minute period.

One-touch operation

Each window has a 'one-touch' facility enabling the occupant to fully open or close the window in one quick movement.

Press the switch briefly to the second position to fully open the window in one movement. Pull the switch briefly to the second position to fully close the window in one movement. Window travel can be stopped at any time by pressing the switch again.

4-30 On the Road

Immobilising the rear windows

To immobilise the rear windows (and operation of the front seat by a rear seat passenger, when this feature is fitted), press button (A) (see previous page illustration). The LED in the button will light up showing that the rear windows cannot be operated by rear seat occupants. Pressing the button again will enable occupants to operate the rear windows. See also **Rear Seat Adjustment** on page 3-4.

Window Anti-trap Protection

Each electrically operated window has an anti-trap protection feature. If the upward movement of the window detects an obstacle the anti-trap system will immediately stop the window closing, then move it downwards for a short distance.



WARNING:

If the battery is disconnected or discharged the window anti-trap feature is lost. When the battery is reconnected or recharged the window anti-trap system must be reset.

To reset the electrically operated windows anti-trap system

- Fully close the window, hold the switch in the close position for two seconds and then release the switch. Wait for two seconds, do not open the window.
- Again, select the same window to close, holding the switch for a further two seconds.
- Check to confirm the operation by opening the window and then use one-touch operation to close the window.
- Repeat for the remaining electrically operated windows.

To override the anti-trap protection

The anti-trap system will also stop the window closing if a blockage or resistance occurs e.g. in the window guide channels. Typically this might be due to icing in winter but could also be caused by damage or mis-alignment of the guide channels or seals.

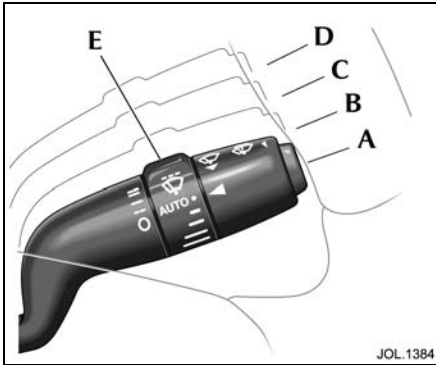
To override the anti-trap action:

- After the initial attempt to close the window, operate the close switch a second time.
- When the window has reversed from the blockage, operate the switch (within 10 seconds) until the window stops again (it will not reverse on the third attempt).
- Immediately operate the close switch again. The window will now move up a short distance with increased force to override the blockage.
- Repeat the override action until the window has closed. Each time the window stops, the switch must be operated immediately to initiate further override action.

If this procedure fails to move the blockage, the anti-trap feature will be lost and must be reset (see previous column) after the blockage has been cleared.

Thermal overload

If the windows are repeatedly opened and closed (e.g. by a child), a protection system will deactivate window operation for a short period to avoid overheating of the window motors.



Wipers and Washers

The windscreen wipers and screen wash functions are controlled by the right-hand column stalk switch and only operate with the ignition in position 'II'.

Moving the stalk up or down operates or turns off the windscreen wipers.

Windscreen Wipers

The stalk functions are as follows:

Position (A):

The windscreen wipers are OFF and parked.

First position (B):

Intermittent wipe.

Second position (C):

Slow speed wiper operation.

Third position (D):

High speed wiper operation.

Intermittent wipe

When intermittent wipe is selected the delay between wipes can be varied. Turn the collar (E) to vary the delay from 3 seconds to 18 seconds.

Flick wipe

Pull the column switch towards the steering wheel for a single wipe. Holding the column switch in this position will operate the wiper continuously at slow speed until released.

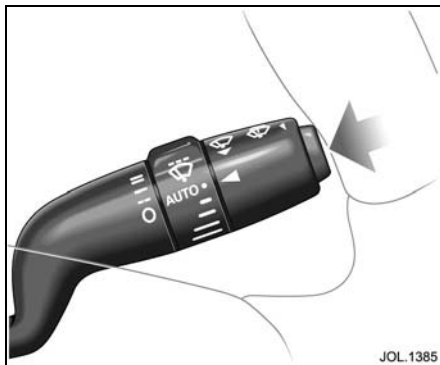
Rain sensitive wiper control

When AUTO, (turn the rotary collar [E] to AUTO) and intermittent wipe is selected, the wipers will automatically operate to clear the windscreen when rain falls on to the windscreen, or when moisture is present.

For the wipers to operate, the ignition switch must be in position 'II'.

Note: When starting a journey with a wet windscreen, the rain sensing wipers will not operate immediately the ignition is switched on, therefore, a flick wipe should be used to clear the windscreen of any moisture.

Caution: Ensure that AUTO is not selected when entering a car wash or damage to the wiper blades/arms can occur.



Windscreen Wash/Wipe

Push the button on the end of the switch to obtain the wash/wipe programme.

If the wipers are selected off or intermittent, the washers will operate at slow speed during the washing action when the button is pressed. When the button is released, the wipers will complete up to three further wipes.

A single wipe will take place 4 seconds after the last wipe to clear any drips of water from the windscreen.

If rain sensitive wipers are fitted and selected then the wipers will operate until no moisture is detected.

Headlight Powerwash

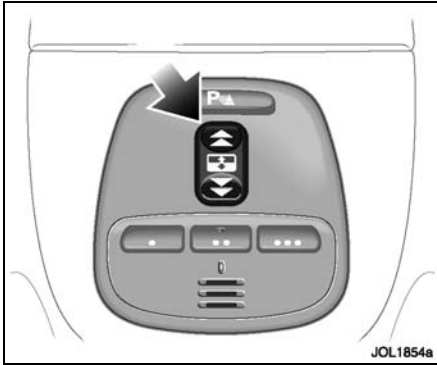
The headlight powerwash units (if fitted) are mounted between the front headlights.

The headlight powerwash feature will operate if the ignition is in position 'II' and dipped or main beam headlights are switched ON. It will not operate if the washer fluid level is low.

When the windscreen wash/wipe button is pressed, the headlight powerwash directs two short bursts, 3 seconds apart, at the headlights. If the wash/wipe button is held, the headlamp wash cycle will continue for up to 20 seconds.

The headlight powerwash will operate the first time the wash/wipe button is pressed and thereafter every sixth succeeding wash/wipe operation. If the headlights or ignition are switched OFF and ON again, headlight powerwash will operate on the next press of the wash/wipe button.

Note: If the washer fluid level is low in the reservoir the windscreen wipers will not operate when windscreen wash is selected even though there may be washer fluid remaining in the reservoir and sprayed onto the screen. This is to prevent damage to the blades, or scratching of the glass, or smearing dirt across the screen.



Sunroof

WARNING:

1. Before opening or closing the sunroof check that all occupants are clear.
2. When leaving the vehicle take the ignition key to prevent misuse of the sunroof switch by remaining occupants, especially children.

The sunroof switch is located in the overhead console. The ignition switch must be in either position 'I' or 'II' for the sunroof to operate.

The sunroof has a 'one-touch' facility enabling the occupant to fully open or close the sunroof in one quick movement.

To open the sunroof:

- Push the rear of the switch gently upwards to the first position and hold until the sunroof is fully open. The sunroof can be stopped at any open position by releasing the switch.
- To fully open the sunroof with one-touch operation, briefly push the rear of the switch fully upwards to the second position and then release. To stop the sunroof opening, briefly press the switch upwards, forwards or rearwards.

To close the sunroof:

- Push the front of the switch upwards to the first position and hold until the sunroof is closed. It can be stopped at any position by releasing the switch.
- To close the sunroof with one-touch operation, briefly push the front of the switch upwards to the second position and then release. To stop the sunroof closing, press the switch upwards, forwards or rearwards.

To tilt the sunroof open:

- Push the front of the switch upwards and hold until the required position is reached, or until the tilt is fully open, and then release the switch.

To tilt open with one-touch operation:

- Briefly push the switch upwards to the second position.

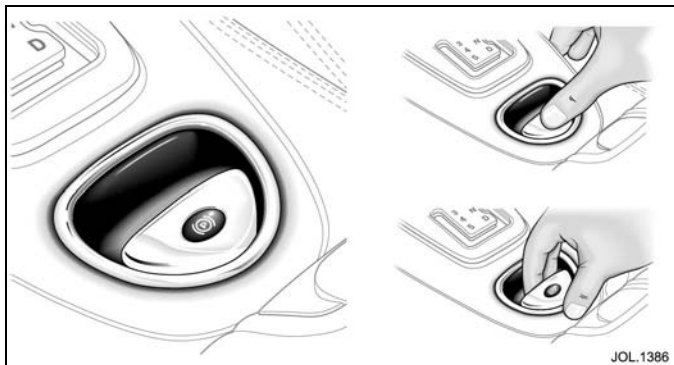
To close the tilted sunroof:

- Push and hold the rear of the switch until the sunroof is closed. Briefly push the rear of the switch upwards to the second position to tilt closed with one-touch operation.

Sunshade Operation

The sunshade can be manually opened and closed using the pull cup.

Note: When the sunroof is fully open the sunshade is also fully open and, because the pull cup is hidden, it cannot be manually closed from this position. The sunroof will need to be fully closed to gain access to the pull cup.



Parkbrake

The switch which operates the parkbrake is mounted on the centre console to the rear of the gear selector.

To engage the parkbrake, pull the parkbrake switch upwards and release. The switch will return to the neutral position. The parkbrake warning/brake fluid low warning light on the instrument cluster will illuminate.

To disengage the parkbrake, with the ignition switch in position 'II' or with the engine running, apply the footbrake and press the parkbrake switch down.

The parkbrake is automatically released when the gear selector is moved from Park 'P' position.

If the vehicle is stationary and the gear selector is in 'D' or 'R' and the parkbrake is applied, then the parkbrake will automatically release when the accelerator pedal is depressed.

Inadvertent operation of the parkbrake whilst the vehicle is in motion will cause the message 'PARKBRAKE ON' to be displayed on the message centre, the warning light in the instrument cluster will be illuminated and a warning chime will sound.

If the parkbrake is applied whilst the vehicle is moving, push the switch down to release it. If the switch is in the neutral position after parkbrake application, depressing the accelerator pedal will release the parkbrake.

Note: If the vehicle is in motion, the parkbrake should only be used as an emergency brake.

The parkbrake is automatically applied when the key is removed from the ignition switch. If you wish to keep the parkbrake off, press and hold the parkbrake switch down and, at the same time, remove the key.

Caution: Take care that the vehicle is safely parked to prevent it from rolling if you wish to leave the parkbrake off.

The warning light in the instrument cluster will remain on for a short time if the parkbrake is applied when the key is turned to position '0' or if the key is removed.

If the battery has been discharged or disconnected a message 'APPLY PARKBRAKE' will be displayed when the ignition is next switched on. Depress the footbrake and pull the parkbrake switch up to apply the parkbrake. This is required to reset the parkbrake system which will now function correctly.

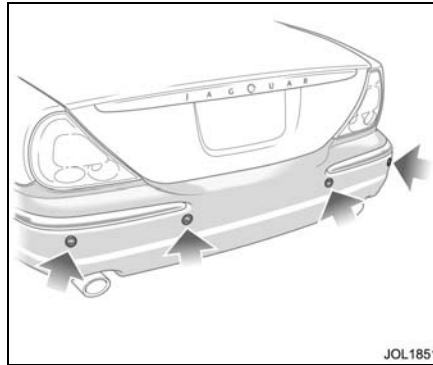
Park Distance Control

Caution: It remains the driver's responsibility to detect obstacles and estimate the car's distance from them. Some overhanging objects, barriers, thin obstructions or painted surfaces which could possibly cause damage to the vehicle may not be detected by the system. Always be vigilant when reversing.

Park distance control is always automatically switched on when the ignition is turned on.

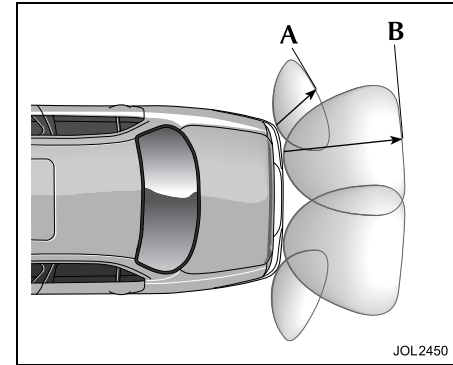
Caution:

1. If, for example, you are driving into a confined space such as a home garage, the outer sensors will detect the side walls and after 3 seconds will switch the tone off. However, as movement continues, the inner sensors will eventually detect the rear wall and will start the tone again.
2. The sensors are not active when the gear selector is in neutral, therefore, take care if moving the vehicle as the tone will not be heard.
3. Do not clean the sensors with abrasive or sharp objects.



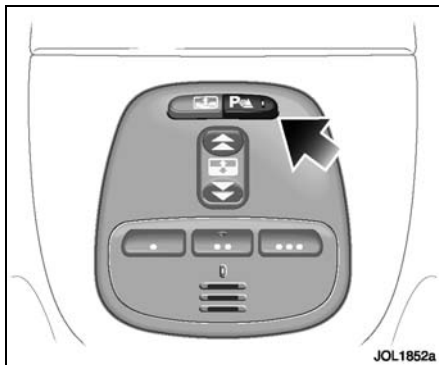
Note:

1. For reliable operation, the sensors in the front (if fitted) and rear bumpers should be kept free from frost, ice and grime.
2. When using a high pressure spray the sensors should only be sprayed briefly and at least 8 inches (20 cm) distance from the sensors.
3. The front parking aid may sound spurious tones if it detects a frequency tone using the same band as the sensors.



Rear Park Distance Control

When reverse gear is selected and ignition is on, rear park distance control automatically provides an audible proximity warning (to the nearest detected obstacle) when reversing the vehicle if obstacles are detected within the operating range, shown in the illustration above (between approximately 24 inches [60 cm] (A) and 63 inches [160 cm] (B).

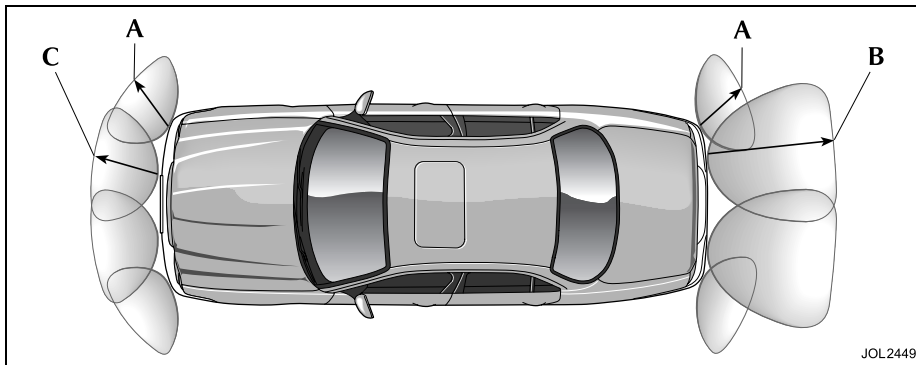


Front and Rear Park Distance Control

When both front and rear park distance control are fitted, a switch is located in the overhead console.

Pressing the switch turns front and rear park distance control on or off together. The switch integral warning lamp will come on when the system is turned off or if a fault is detected in the system. A switch is not provided when only rear park distance control is fitted.

Note: The front park distance control will also operate when reverse gear is selected.

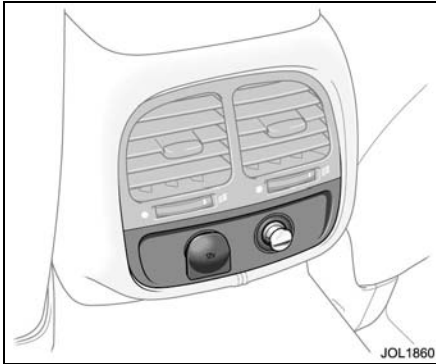


Front park distance control provides an audible proximity warning when driving forwards if objects are detected within the operating range shown in the illustration above (between approximately 24 inches [60 cm] (A) and 31 inches [80 cm] (C) to the front of the vehicle). The front sensors only operate within a fixed speed range in forward gears and are not effective when moving forwards above 9 mph (15 km/h) or when slowing down until below 4½ mph (7 km/h).

If an obstacle is detected at the front or rear of the vehicle, a beep tone will be heard from the front or rear speaker respectively, which increases in rate as the vehicle approaches the obstacle.

The front or rear park distance control beep will become continuous when the obstacle is detected at or within 12 inches (30 cm) from the rear or approximate 10 inches (25 cm) from the front of the vehicle.

If the system has a fault when engaging reverse gear or turning on the ignition, then a single, three second tone will be heard (only once per ignition cycle) and, if fitted, the switch lamp will come on. The system is automatically disabled when a fault is detected.



Interior Features

Accessory Power Points

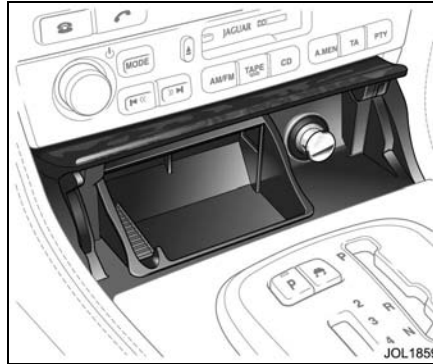
There are two sockets to provide a power source for accessories, such as a 12-volt vacuum cleaner or mobile phone.

One is fitted to the end of the centre console to the left of the cigar lighter, beneath a flip lid.

The other accessories socket is located in the glove compartment (not shown).

A cigar lighter is fitted to the rear of the centre console.

Do not use any cigar lighter socket for connecting accessories as it can be damaged.

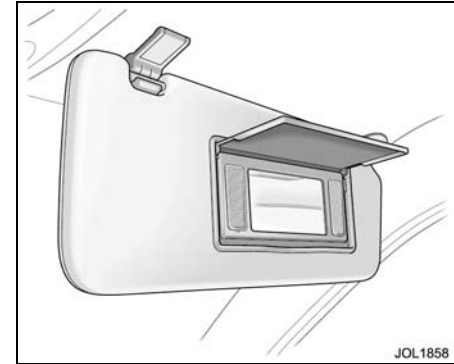


Cigar Lighter and Ashtray

Push the lid to gain access to the front cigar lighter and ashtray. To operate the cigar lighter the ignition must be on, press the lighter in and wait until the element has heated, it will then pop-up.

Note: Never hold the lighter knob down. Do not attempt to remove particles from the heating element as it is self-cleaning. The cigar lighter is designed to be used just to heat the lighter element and not for providing a power source for accessories.

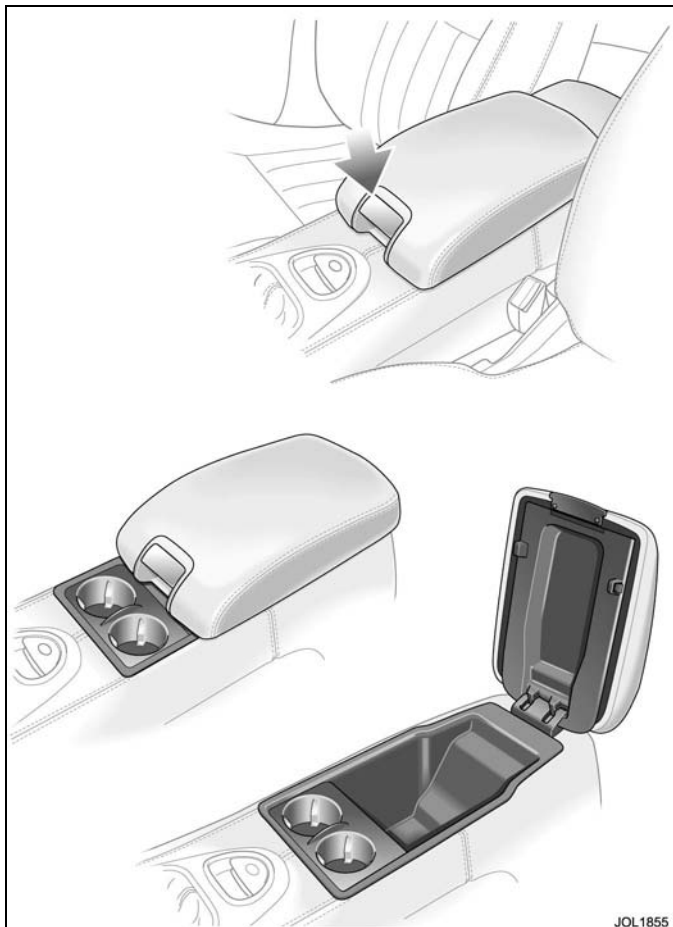
To empty the ashtray, lift it out vertically and remove. After emptying, push the ashtray into the opening until it snaps back into place.



Sun Visors and Vanity Mirrors

Adjustable sun visors can be swung downwards or unclipped and swung sideways to reduce sun glare.

The sun visors are fitted with illuminated vanity mirrors, behind a hinged flap. The light comes on when the flap is lifted.



JOL1855

Centre Console

The centre console carries the armrest, cupholders, the cubby box and (where fitted) the phone. At the rear of the centre console is a cigar lighter and accessory power point.

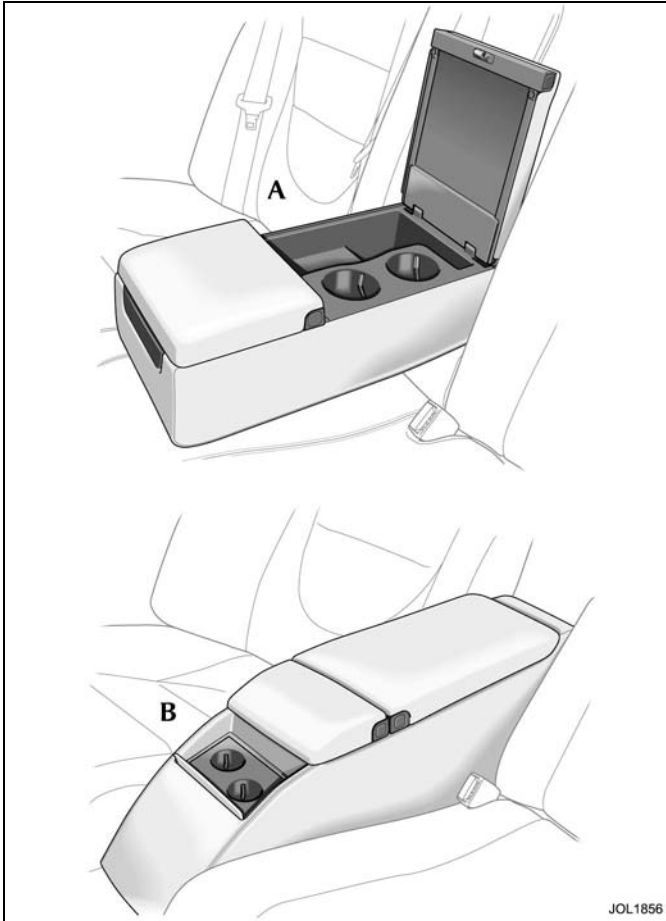
The sliding armrest is hinged at the rear and has a release button located on the front of the armrest. The chromed button is pulled upwards to raise the armrest and gain access to the cubby box and (when fitted) the telephone.

Cupholders

 **WARNING:**

1. **Do not place hot drinks in the cupholders whilst the vehicle is moving, there is a risk of scalding.**
2. **Use soft cups only.**

To expose the two cupholders, slide the armrest rearwards.



Rear Armrest

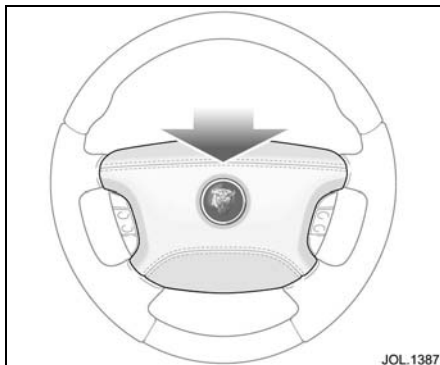


1. Do not place hot drinks in the cupholders whilst the vehicle is moving, there is a risk of scalding.
2. Use only soft cups and cool liquids.

Depending on vehicle specification there can either be a rear armrest or a rear centre console fitted.

To access the cupholders in the rear armrest (A), press the two buttons on the rear hinged lid and raise it. The cupholders can then be used as required.

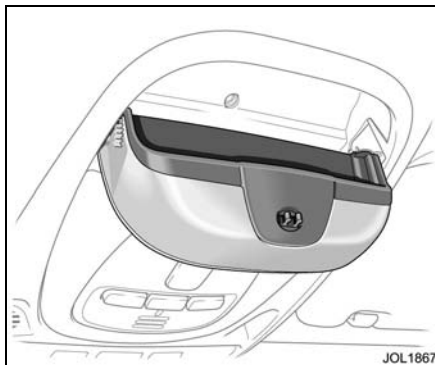
To access the cupholders in the rear centre console (B), push and release the rear of the lid which will then fold forwards exposing the two cupholders. To close the lid, fold rearwards and push it shut to cover the two cupholders.



Horn

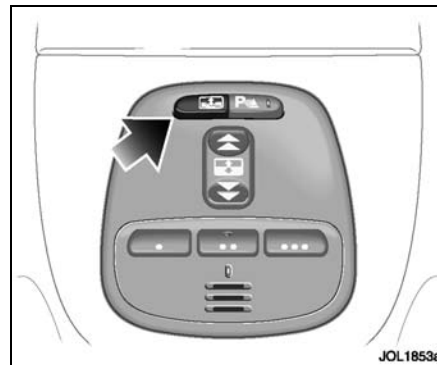
The dual tone horn is operated by pressing the centre pad on the steering wheel.

The horn also operates as a warning horn if the vehicle alarm system is activated.



Sunglasses Stowage

A compartment for stowing sunglasses or spectacles is located in the overhead console.

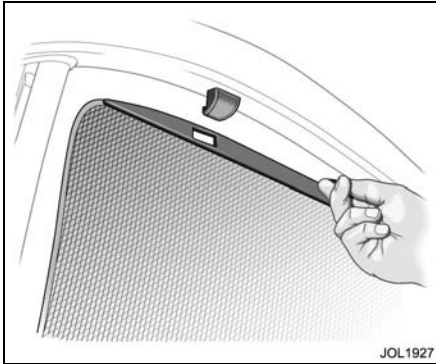


Rear Sunblind

The electrically operated rear sunblind is fitted to the parcel shelf.

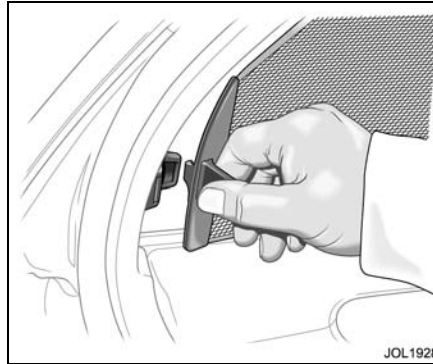
Push the switch to raise the sunblind.

To lower the sunblind, push the switch again.



Side Sunblinds

The rear door window sunblinds are manually operated by lifting the blind and securing it in the two clips provided. To lower the blind just unhook it from the clips and lower it gently back into the stowage.



Quarter light blinds have a single securing clip. Pull the blind rearwards and locate it in the clip. To stow the blind, unhook it and gently let it return into the stowage.



WARNING:

Take care when releasing the quarter light blind because it could strike your face if it slips from your hand.

Starting/Stopping the Vehicle

When the vehicle is stationary the automatic gear selector may be left in 'D', '2', '3', '4' or '5', unless the vehicle is to be parked. When stopping for traffic lights, junctions etc., either select 'P' or apply the parkbrake and select 'N'.

Before Starting

Before starting the engine, new owners/drivers should familiarize themselves with the layout and operation of the controls and instruments.



WARNING:

Before attempting to start the engine, check parkbrake is ON and gear selector lever is in position 'P' or 'N'.

To Start the Engine

The engine cannot be started until the gear selector is in 'N' or 'P'.

Insert the key into the ignition switch and turn clockwise to position 'II' to switch on the ignition.

When the key is turned to position 'III' the starter motor will turn the engine until:

- The key is released and automatically returns to position 'II'.
- The ignition switch is turned to '0' or 'I'.
- The gear selector is moved out of 'P' or 'N'.
- The engine starts.

If the engine fails to start, the key must be turned to position '0' before attempting to restart.

Do not use the starter continuously for longer than six seconds. Continued use of the starter will discharge the battery and may damage the starter mechanism.

Wait until the engine stops turning before re-using the starter.

When the engine starts, release the key.

The red charge light and the oil pressure light in the instrument cluster should go out when the engine is running.

If the engine fails to start

If an ignition key is placed in the ignition switch and turned to position 'II' and the alarm security light is flashing, it is possible that the engine will not start. In any event, please contact a Jaguar Retailer to investigate the cause of the light flashing.

It is possible that the fuel system inertia switch may have tripped, see page 6-3 for the resetting procedure.

If the engine persistently fails to start and flooding is suspected, depress the accelerator pedal fully, hold it in this position and turn the key to position 'III' for six seconds. Release the key, remove your foot from the accelerator pedal and then attempt to restart the engine.

Note: The engine cannot start whilst the pedal is fully depressed, it must be released to enable the engine to start.

If the engine still fails to start, switch the ignition OFF and contact a Jaguar Retailer.

To Stop the Engine and Lock the Steering

Turn the key from position '1' to the 'lock' position '0'. This turns off the ignition and stops the engine. The steering will be locked when the key is removed from the switch. Leaving the key in position '1' or '11' will discharge the battery.

Automatic Transmission

The 'J'-gate gear selector lever is designed to accommodate two different driving techniques as follows:

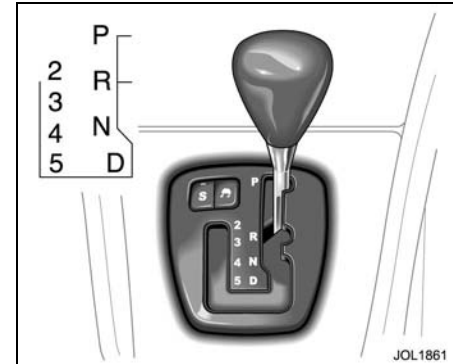
- Automatic selection – the right-hand side of the selector gate.
- Manual selection – the left-hand side of the selector gate to individually select 5th, 4th, 3rd, or 2nd gear.

Gearshift Interlock

A brake pedal/gearshift interlock system is incorporated in the automatic gear selector mechanism.

To move the gear selector from Park:

1. Turn the ignition key to position '1' or start the engine.
2. Press the brake pedal.
3. Move the lever from Park.



Gear Selector Positions



WARNING:

The parkbrake or brake pedal must be applied before selecting forward or reverse drive from a stationary position.

P = Park – Use when parking. In this position the transmission is locked. Do not select if the vehicle is moving.

N = Neutral – Disconnects the driveline from the engine. Use the parkbrake when stopping temporarily.

4-44 On the Road

Note:

1. After selecting forward or reverse drive ranges from Neutral or Park, wait briefly for the transmission to engage before accelerating.
2. When in Neutral or Park the engine can only be accelerated to 4500 rev/min.

R = Reverse – Do not select if the vehicle is moving forward.

The reversing lights come ON automatically when reverse gear is selected and the ignition switch is in position 'II'.

D = Drive – All six gears are changed automatically as required by the throttle position and road speed.

2, 3, 4, 5 = If selected, the transmission operates automatically in second, third, fourth or fifth gear but will not engage gears higher than the one selected.

Drive to fifth

When driving in gear position 'D' with sixth gear engaged, the gear selector can be shifted sideways across the gate to '5'. Provided that the vehicle's speed is not too great, the transmission will shift down to fifth. Sixth gear will be inhibited until the gear selector is moved back to 'D'.

Hill climbing and engine braking

When driving on roads with long downhill gradients, selecting '3' or '2' (depending on road/traffic conditions) will give engine braking.

When the gear selector is moved from 'D', '5', '4' or '3' down to '2', downshift to second gear will only take place at appropriate road speeds.

Reverse inhibit

Reverse is inhibited when the vehicle is moving forward at speeds above 5 mph (8 km/h).

Note: Reverse inhibit will not function in limp-home mode.

Kickdown

Kickdown is operated when the pedal is pressed fully down, beyond the normal operating range and against a spring pressure, to provide maximum engine performance. Kickdown is used in circumstances where rapid acceleration is required, such as when overtaking.

Kickdown causes the transmission to change down to the lowest gear possible to achieve maximum acceleration.

The gear engaged depends on the road speed at the time of kickdown.

As well as shifting down, the gearshift points are extended to give greater performance. This mode is in effect for as long as the pedal is pressed fully down.

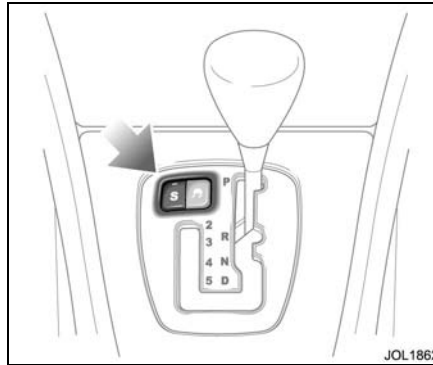
Limp-home mode

In the unlikely event of an electrical or mechanical failure, transmission operation will be impaired. The vehicle gear selector ranges P, R, N, D can still be used to enable the vehicle to be driven to a safe area. In this event consult a Jaguar Retailer **immediately**.



WARNING:

The driver should be aware that the vehicle's performance will be reduced and must take this into account when driving.



Sport Mode

The switch marked 'S' on the 'J'-gate surround enables the driver to select either normal or sport (S) modes.

When sport mode is selected the automatic transmission will operate normally, but the gearshift points are extended to make full use of the engine's power reserves.

To select 'Sport', press the switch. A red light within the switch is illuminated to indicate that sport mode has been selected.

To cancel 'Sport', press the switch again.

Note: Both sides of the 'J'-gate can be used irrespective of the transmission mode, e.g. with 'S' selected the transmission can be operated in full automatic or by manual selection.

In addition to normal and sport modes, the transmission control computer will select shift patterns to suit specific conditions.

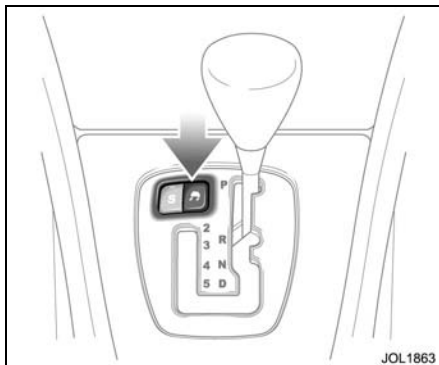
Cruise Control – When cruise control is operating at set speed the transmission selects a shift pattern to suit cruise control operation.

DSC – When DSC is switched ON and the system is activated, the transmission selects a shift pattern to suit traction control conditions.

Gradients – When the vehicle is being driven on roads with uphill gradients, the transmission adapts the shift pattern to make better use of engine power and aid engine cooling.

Note: Under the conditions described, the relevant transmission mode will override the normal or sport modes selected by the driver.

When such conditions no longer exist, the transmission will revert to the shift pattern previously selected by the driver, that is, normal or sport.



Dynamic Stability Control (DSC)

Unless it has been switched off, dynamic stability control is operational whenever the engine is running. If the system is operating, the warning light in the instrument cluster will flash.

The DSC system controls the anti-lock braking system (ABS), traction control and yaw control of the vehicle.

Yaw control determines the vehicle's direction relative to the driver's inputs (sideslip and under/oversteer). It applies braking pressure to individual wheels if excessive variation is detected.

This ensures that the vehicle follows the driver's intended direction of travel.

Traction control will intervene to reduce wheel spin, by automatically reducing the power output from the engine and applying braking to individual wheels.

This improves acceleration, particularly on surfaces with uneven friction, for example, one wheel on ice the other on tarmac.

ABS helps to prevent the road wheels from locking and skidding during emergency braking.

When the system is operating, the warning light in the instrument cluster will flash.

The dynamic stability control system can be switched OFF by pressing the switch on the centre console switchpack.

The warning light in the instrument cluster will remain on and a message will be shown to indicate that the system has been switched OFF. If the switch is pressed again the system will switch ON.

Note: If cruise control is engaged it will automatically disengage if stability control activates.

A system malfunction is indicated by the message:

DSC NOT AVAILABLE

Warning light: **Amber.**

and the instrument cluster DSC warning light will be lit.

It is safe to drive the vehicle but the system may not activate under wheel spin or slide conditions. Report the fault to a Jaguar Retailer as soon as possible.

WARNING:

1. **The fact that the vehicle is fitted with Dynamic Stability Control must never allow the driver to be tempted into taking risks which could affect his/her safety or that of other road users. In all cases it remains the driver's responsibility to drive safely according to the prevailing conditions.**
2. **It is recommended that when using snow chains, DSC should be switched OFF.**

Anti-lock Braking System (ABS)

This system helps to prevent the road wheels from locking and skidding during emergency braking, assisting the driver to maintain full steering and directional stability.

The factor controlling ultimate stopping distance and cornering ability is tyre/road adhesion.



WARNING:

1. **The fact that a vehicle is fitted with ABS must never allow the driver to be tempted into taking risks which could affect his/her safety or that of other road users.**
2. **The addition of ABS cannot overcome the consequences of trying to stop in too short a distance, cornering at too high a speed, or the risk of aquaplaning.**

3. **The driver should always take road conditions into account. A slippery road surface always requires more braking distance for a given speed, even with ABS. A possible increase in stopping distance compared to locked wheels may occur during ABS operation on slushy snow, gravel, sand, or some heavily corrugated or ridged warning sections of road surfaces.**

ABS optimises tyre/road adhesion under maximum braking conditions though it cannot provide increased cornering ability. There is no need for special braking techniques, such as 'pumping' the brakes, to achieve optimum braking distances and control on poor or slippery road surfaces. Tyres must be in good condition to achieve maximum adhesion.

During normal braking the ABS will not be activated. However, if the braking force applied begins to exceed tyre/road adhesion the ABS will automatically activate, preventing the road wheels from locking.

In these circumstances a pulsating effect will be felt from the brake pedal indicating that the system is functioning. The pulsating effect is due to small fluctuations in pressure supplied to the brakes by the system to maintain full tyre/road adhesion.

Under severe braking on some road surfaces tyre noise may be apparent even though the wheels will at no time become locked.

ABS Monitoring

The ABS control module monitors the ABS electrical system from ignition switch ON to ignition switch OFF.

Any malfunction will be indicated by the anti-lock warning light coming on.

Should a fault develop in the ABS system, the brake system will still operate conventionally and with the same standard of performance as vehicles not equipped with ABS.

Caution: Consult a Jaguar Retailer immediately if the warning light comes on while driving, a system failure is indicated.

Advice on ABS Braking Techniques

For optimum ABS performance the instructions on braking techniques during ABS operation should be followed:

1. Do not release brake pressure when the pulsating effect is felt. Maintain a constant pressure until the manoeuvre is completed.
2. To familiarise yourself with the feel of the brake pedal during ABS braking, practise an emergency stop procedure, always making sure it is safe to do so. With the seat belts fitted to all occupants, drive the vehicle at 20 mph (32 km/h) and brake sharply.
3. ABS enables the driver to steer around obstacles during emergency braking. However, the consequences of turning sharply at high speed cannot be overcome by the ABS.
4. Do not attempt to 'pump' the brakes to avoid skidding as this can interfere with the ABS operation. The ABS will not allow the wheels to skid under normal road conditions.
5. The ABS will tend to keep the vehicle straight during braking. Because braking distances may increase under certain road conditions, it is necessary to plan and make turning manoeuvres as early as possible.

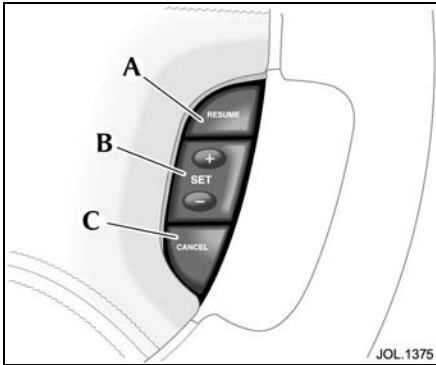
Emergency Brake Assist (EBA)

The EBA system measures the rate at which the brake pressure increases. If the system detects an emergency braking situation, EBA automatically initiates the full braking effect. This can reduce stopping distances in critical situations, which can help an inexperienced driver to stop in the same distance as an experienced driver.



WARNING:

The EBA system is an additional safety system: it is not intended to relieve the driver of his responsibility for exercising due care and attention when driving.



Cruise (Speed) Control

The cruise (speed) control system can be used by the driver to maintain a selected vehicle speed above 17.5 mph (28 km/h) without the driver having to use the accelerator.

Switches on the steering wheel allow the driver manual control of the system. Brake operation also influences the cruise control system.

(A) – RESUME to resume the set speed retained in memory.

(B) – SET to set the speed or increase/decrease the set speed when the speed has been set.

(C) – CANCEL cancels cruise control but retains the set speed in memory.

Setting the Vehicle Speed



WARNING:

Only use cruise control when conditions are favourable, for example, straight, dry, open roads with light traffic.

When you are travelling at the speed you require, which must be above 17.5 mph (28 km/h), press the SET button.

Cruise control will engage and maintain the set speed and you can remove your foot from the accelerator pedal.

Note: Cruise control will automatically disengage when the brake pedal is pressed or when the vehicle speed falls below 16 mph (26 km/h).

Changing the Set Speed

There are three ways to change the set speed:

1. Accelerate or decelerate to the desired speed then press the SET (+) button.
2. Increase or decrease the speed by pressing and holding either SET (+) or (-) until the desired speed is obtained, then release the switch.
3. Increase or decrease the speed in steps of 1 mph (2 km/h) by briefly pressing either the SET (+) or (-) until the desired speed is obtained.

Resuming the Set Speed

If the vehicle is accelerated above the set speed, then the set speed will be resumed when the accelerator pedal is released.

If CANCEL is pressed, or the brake pedal is pressed, the cruise control will disengage but the set speed memory will be retained. Press RESUME and the vehicle will return to the set speed.

Note: Cruise control will not resume at speeds below 17.5 mph (28 km/h).

RESUME will not operate if the ignition has been turned off.

Caution:

1. **RESUME should only be used if the driver is aware of the set speed and intends to return to it.**
2. **It is not recommended to resume set speed when a low gear is selected as excessive engine speeds will occur.**

Cruise Control Will Switch Off and Clear the Memory When:

- The ignition is switched to position '0'.
- A fault occurs. The cruise control system will switch OFF and cannot be used until the fault is cleared.

Cruise Control Automatic Switch Off

Cruise control will switch off but the set speed will remain in the memory when:

- The CANCEL button is pressed.
- The brake pedal is pressed.
- The parkbrake is applied.
- Speed falls below 16 mph (26 km/h).
- Neutral, Park or Reverse gear positions are selected.
- DSC is operating.
- The difference between the actual and set speed is too great.
- When the vehicle reaches a maximum speed of 144 mph (230 km/h).
- The accelerator pedal is used to accelerate beyond the set speed for too long a period.

Adaptive Cruise Control (ACC)

(Where fitted)

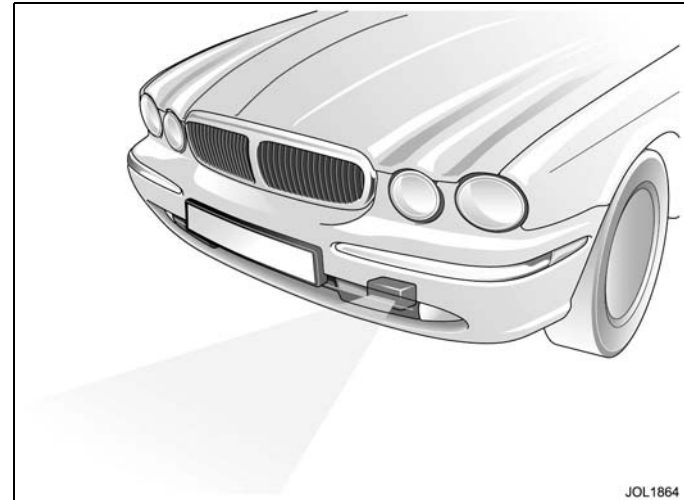
The adaptive cruise control system is designed to aid the driver to maintain a gap from the vehicle ahead or a set road speed if there is no slower vehicle ahead. The system is intended to provide enhanced operation of the vehicle when following other vehicles which are in the same lane and travelling in the same direction.



WARNING:

Adaptive cruise control is not a collision warning or avoidance system. Additionally, adaptive cruise control will not detect:

1. Stationary or slow moving vehicles below 6 mph (10 km/h).
2. Pedestrians or objects in the roadway.
3. Oncoming vehicles in the same lane.

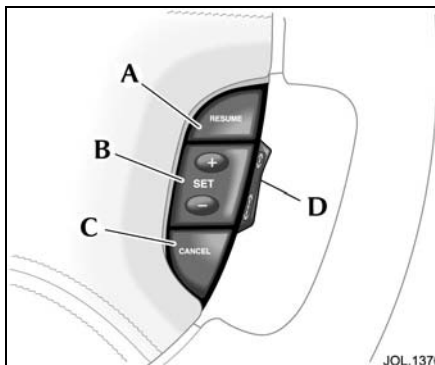


The adaptive cruise control system is based on the use of a radar sensor which projects a beam directly forward of the vehicle so as to detect objects ahead. The radar sensor is mounted behind a cover on the left-hand side of the lower cooling aperture, to provide a clear 'view' forward for the radar beam.

- Only use adaptive cruise control when conditions are favourable, that is, straight, dry, open roads with light traffic.
- Do not use in poor visibility, specifically fog, heavy rain, spray or snow.
- Do not use on icy or slippery roads.

4-52 On the Road

- It is the drivers responsibility to stay alert, drive safely and be in control of the vehicle at all times.
- Keep the front of the vehicle free from dirt, metal badges or objects, including vehicle front protectors, which may prevent the sensor from operating.
- Do not use ACC when entering or leaving a motorway.



The system is operated by switches mounted on the steering wheel. The driver can also intervene at any time by use of the brake or accelerator pedals. The steering wheel switches operate as follows:

- (A) – RESUME: Resume set speed.
- (B) – SET + or SET -: Set the speed (+) or increase (+) or decrease (-) the set speed.
- (C) – CANCEL: Cancels without erasing memorised speed.
- (D) – Gap increase or decrease.

Setting a speed

Accelerate as normal until the required speed is reached.

Press the SET + button briefly and the vehicle speed will then be stored in the memory and the system engaged. The set speed will be displayed on the message centre.

SETSPEED
50 MPH

Entering the follow mode



WARNING:

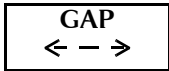
When in follow mode the vehicle will not decelerate automatically to a stop, nor will the vehicle always decelerate quickly enough to avoid a collision without driver intervention.

Once a set speed has been selected, the driver can release the accelerator and the set road speed will be maintained.

When a vehicle ahead enters the same lane or a slower vehicle is ahead in the same lane, the vehicle speed will be adjusted automatically until the gap to the vehicle ahead corresponds to the preset gap. The vehicle is now in 'follow mode'.



The warning light in the instrument cluster will be illuminated,



and the message centre will display the gap set.

The vehicle will then maintain the constant time gap to the vehicle ahead until:

- The vehicle ahead accelerates to a speed above the set speed.
- The vehicle ahead moves out of lane or out of view.
- The vehicle ahead slows so that 'low speed automatic switch off' occurs.
- A new gap distance is set.

If necessary, the vehicle brakes will be automatically applied to slow the vehicle to maintain the gap to the vehicle in front.

The maximum braking which is applied by the ACC system is limited and can be overridden by the driver applying the brakes, if required.

Note: Driver braking will cancel adaptive cruise control.

If the ACC system predicts that its maximum braking level will not be sufficient, then an audible warning will sound while the ACC continues to brake. This is accompanied by a red warning light and 'DRIVER INTERVENE' will be displayed on the message centre. The driver should take IMMEDIATE action.

When in follow mode the vehicle will automatically return to the set speed when the road ahead is clear, for instance when:

- The vehicle in front accelerates or changes lane.
- The driver changes lane to either side or enters an exit lane.

The driver should intervene if appropriate.

Low speed automatic switch off

If the speed of the vehicle decreases below 18 mph (30 km/h), the ACC system will be automatically switched OFF and the instrument warning lamp will go out.

If the brakes were being applied by the ACC system, they will be slowly released. This will be accompanied by an audible warning, a red warning light and 'DRIVER INTERVENE' will be displayed on the message centre. The driver must take control.

Overriding the set speed/follow mode



WARNING:

Whenever the driver is overriding the ACC by depressing the accelerator pedal, the ACC will not automatically apply the brakes to maintain separation from any vehicle ahead.

The set speed and gap can be overridden by pressing the accelerator pedal when cruising at constant speed or in follow mode. If the vehicle is in follow mode, the instrument warning lamp will go out when the ACC is overridden by the driver using the accelerator and 'CRUISE OVERRIDE' will be displayed on the message centre. When the accelerator is released the ACC function will operate again and vehicle speed will decrease to the set speed, or a lower speed if follow mode is active.

4-54 On the Road

Changing the set speed

There are three ways to change the set speed:

1. Accelerate or brake to the required speed and press the 'SET +' button.
2. Increase or decrease the speed by pressing and holding either the 'SET +' or '-' button until the required set speed is shown on the message centre. The vehicle speed will gradually change to the selected speed.
3. Increase or decrease the speed in steps of 1 mph (2 km/h) by briefly pressing the 'SET +' or '-' button.

ACC operates between approximately 20 mph and 110 mph (34 km/h and 180 km/h) dependent on the country specification.

Set speeds outside this range will not be captured.

The ACC may apply the brakes to slow down the vehicle to the new set speed. The new set speed will be displayed on the message centre for four seconds after it has been changed.

Changing the gap

The gap from the vehicle ahead can be decreased or increased by pressing the gap setting rocker switch on the steering wheel. Four gaps are available and the selected gap setting will be displayed on the message centre when the rocker switch is pressed. After the ignition is switched ON the default gap will be automatically selected ready for ACC operation.

Note: It is the driver's responsibility to select a gap appropriate to the driving conditions, and in accordance with national driving regulations.

ACC automatic switch off

Adaptive cruise control will disengage, but not clear the memory when:

- The CANCEL button is pressed.
- The brake pedal is pressed.
- The vehicle speed falls below 18 mph (30 km/h).
- Neutral, Park or Reverse gear positions are selected.
- The parkbrake is applied.
- DSC is activated.

Adaptive cruise control will disengage, and clear the memory when:

- The ignition switch is set to position '0'.
- Maximum vehicle speed is reached.
- A fault occurs in the ACC system.

Resuming the set speed/follow mode

By pressing the RESUME button after ACC has been cancelled, for example, after braking, the ACC will become active again provided that the set speed memory has not been erased. The set speed will be displayed for four seconds and the original set speed will be resumed, unless a vehicle ahead causes the follow mode to become active.

Caution: 'RESUME' should only be used if the driver is aware of the set speed and intends to return to it.



Forward alert

Limited detection and warning of objects ahead is provided during ACC operation by the ACC 'DRIVER INTERVENE' warning.

The forward alert feature additionally provides warnings whilst ACC is not engaged, if an object is detected close ahead then a warning tone and message will be issued. The brakes will not be applied.

This additional feature may be switched on or off using the forward alert switch in the lower outboard knee bolster switchpack. When the indicator lamp in the switch is on, forward alert is active.

The sensitivity of the warning may be changed:

- Pressing the gap decrease button when ACC is disengaged displays and then decreases the sensitivity of the alert.
- Pressing the gap increase button displays and then increases the sensitivity of the alert.

Both of these are accompanied by the FORWARD ALERT ← — → message on the message centre.

ACC failure

If a fault occurs during operation of the system in cruise or follow modes, the ACC system will switch OFF and cannot be used until the fault is cleared. A red warning light and the message 'DRIVER INTERVENE' appear briefly, and are then replaced by an amber warning light and the message 'CRUISE NOT AVAILABLE'.

If failure of the ACC or any related system occurs at any other time an amber warning light will be displayed accompanied by the message 'CRUISE NOT AVAILABLE'. It will not be possible to activate the ACC system in any mode.

Accumulations of dirt, snow or ice on the on the sensor or cover may inhibit ACC operation. Fitting of a vehicle front protector or metallised badges may also affect ACC operation.

If this occurs in ACC cruise/follow mode, the red warning light is displayed, the audible alarm sounds and the message 'DRIVER INTERVENE' appears briefly. These warnings are then replaced by the amber warning light and the message 'ACC SENSOR BLOCKED' is displayed. The system is no longer active.

Clearing the obstruction allows the system to return to normal operation. If the obstruction is present when ACC is inactive, e.g. on initial starting or with the ACC system switched off, the amber warning light will be displayed with the message 'ACC SENSOR BLOCKED'.

Tyres other than those recommended may have different sizes. This can affect the correct operation of the ACC.

4-56 On the Road

Notes on using adaptive cruise control

1. Adaptive cruise control operates when the gear selector lever is in position '2', '3' '4' '5' or 'D'.
2. When engaged, the accelerator pedal rests in the raised position. Fully release the pedal to allow normal ACC operation.
3. When braking is applied by the ACC the brake pedal will move down and up as braking is applied or removed. The vehicle brake lights will be switched on while braking is applied.



WARNING:

The driver must not rest a foot under the brake pedal, as it may become trapped.

Driving with ACC active

The system acts by regulating the speed of the vehicle using engine control and the brakes. Gear changes may occur in response to deceleration or acceleration whilst in ACC.

ACC is not a collision avoidance system, however, during some situations the system may provide the driver with an indication that intervention is required.

An audible alarm will sound, accompanied by a red warning light and the message 'DRIVER INTERVENE' if the ACC detects:

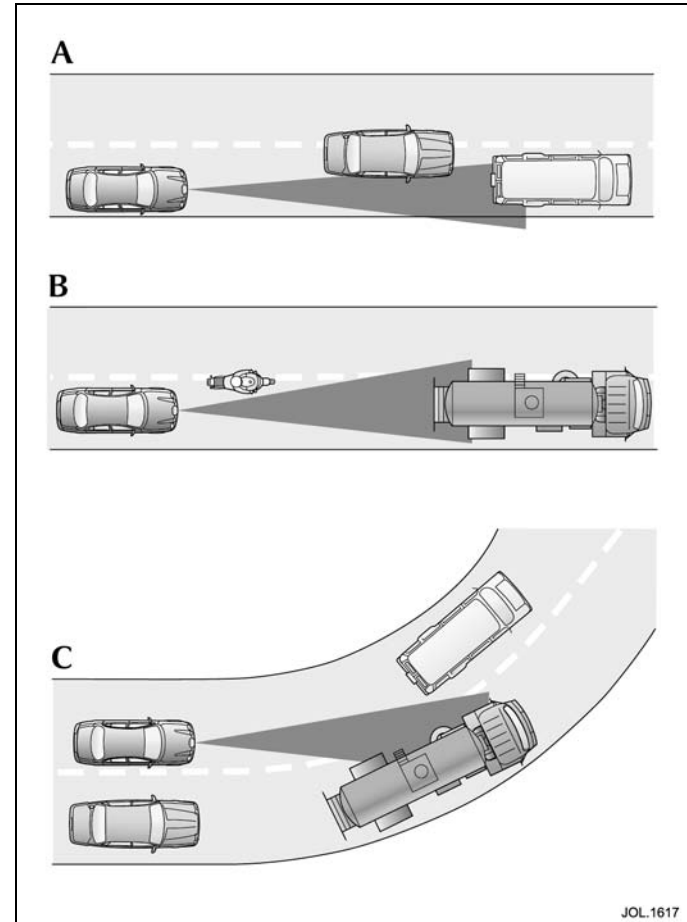
- That using maximum ACC braking only is not sufficient.
- That the vehicle speed has decreased below the minimum for ACC operation.
- A failure has occurred whilst the system is active.

Detection issues can occur:

- When driving on a different line to the vehicle in front (A).
- With vehicles which edge into your lane which can only be detected once they have moved fully into your lane (B).

There may be issues with the detection of vehicles in front when going into and coming out of a bend (C).

In these cases ACC may brake late or unexpectedly. The driver should stay alert and intervene if necessary.



Vehicle Suspension

This vehicle is fitted with a fully automatic air suspension system. It ensures that the vehicle is always at the correct ride height with varying load conditions, including luggage compartment load or when towing.

The system will automatically adjust the amount of air in the springs to level the vehicle. Air is supplied either from an air reservoir or a compressor.

The compressor will run periodically to refill the reservoir.

Changes in ambient temperature will also have an effect on vehicle height when the vehicle is parked.

Caution:

1. **Do not overload the vehicle. Vehicle load weights are shown on page 8-4.**
2. **A slight air loss is expected over time causing the vehicle to lower, so do not store or place anything under the vehicle if it is to be left for an extended period.**

Speed lowering

When driving at motorway speeds, the system will lower the vehicle to improve aerodynamics and vehicle stability. The suspension will automatically return the vehicle to the normal height when the vehicle slows.

Caution: Speed lowering is undesirable when towing. Only Jaguar approved towing equipment will not allow this feature.

Warning messages

If the message 'VEHICLE TOO LOW' is displayed when the ignition is switched on, start the engine and wait for the suspension to raise. The vehicle should not be driven until the message is cleared.

If the message 'VEHICLE TOO LOW' is displayed when driving, restrict the vehicle speed and wait for the system to regain the correct height and the message will then clear. If the message is displayed frequently, it is advisable to inform your Retailer to have the system attended to.

If the message 'AIR SUSPENSION FAULT' is displayed at any time, drive with caution. Have the vehicle checked by a Retailer at the earliest opportunity.

Note: If your vehicle needs to be recovered by a roadside emergency service ensure that the vehicle is securely lashed by the wheels and NOT the body.

General Driving Information



WARNING:

Ensure the parkbrake is on and the automatic gear selector is in position 'P' or 'N' before attempting to start the engine.

Before driving off, check the gauges and warning lights and messages. Take special note of any warning light that is on.

Seat belts are provided for your safety and it is unwise, and in certain countries illegal, to commence any journey, however short, without wearing them.

Warming Up

Do not operate the engine at high speed when first started but allow time for the engine to warm up and the oil to circulate.

Engine Braking On Downhill Gradients

When driving on mountain roads with long downhill gradients it is advisable to select a low gear.

Running-in

Apart from a few precautionary recommendations, there are no strict 'running-in' procedures for this vehicle.

By observing the following advisory notes you will ensure maximum engine, transmission and brake life for your vehicle:

1. Allow the engine to warm up thoroughly before operating at engine speeds over 3500 rev/min.
2. Vary the speed frequently.
3. From 940 miles (1500 kilometres) onwards, gradually increase performance of the vehicle up to the permitted maximum speed, where road conditions permit.

Running-in for brakes

To ensure that the brake pads can 'bed-in' evenly and reach their optimum wear and performance condition, usually within 300 miles (480 kilometres), the following points are recommended.

1. Where possible, avoid heavy braking or rough usage of the brakes as this can result in damage being caused to the brake pads and discs.
2. Avoid prolonged use of the brakes, for example, when descending severe gradients.
3. Frequent light application of the brakes is desirable. This helps to fully 'bed-in' the brake pads before the normal running-in period is completed and the vehicle is operated at high speeds, when maximum brake efficiency will be required.

The above equally applies when new discs or pads have been fitted.

4-60 On the Road

Use of Headlamps In Daylight

When visibility is poor the headlamps with dipped beam setting should be switched on so that the vehicle may be seen more easily by other road users. The instrument illumination dimmer control adjusts the brightness of the panel lighting.

Engine Oil Consumption

A certain amount of oil consumption is normal. The rate of consumption will depend on the following:

- The quality and viscosity of the oil.
- The amount of oxidation and dilution of the oil.
- Climatic conditions.
- The speed at which the engine is being operated.
- Road conditions.

Drivers should expect above normal consumption when the engine is new, and after running-in if high speeds are sustained.

Winter Driving

Freeing a frozen door lock

Caution: Do not apply a proprietary lock de-icer through the keyhole.

Should the lock become frozen, warm the end of the key before use.

Windscreen wiper blades

Before driving away, clear any ice from the windscreen and check that the wiper blades are free. Switching on the heated screen will accelerate this process.

The heated wiper park, if fitted, will come on automatically.

Frost precautions

The correct concentration of coolant must be maintained at all times when 'topping up' or 'refilling' the cooling system.

Parking the Vehicle

When leaving the vehicle, remember the following:

- Whenever the vehicle is being parked, apply the parkbrake and move the gear selector to Park 'P'.
- Do not leave children or pets in the vehicle unattended.
- Do not leave luggage or valuables on view. Always take your valuables with you or lock them in the luggage compartment.
- Remove the ignition key and spare keys, even when the vehicle is in your garage.
- When the vehicle is unoccupied, close all windows and lock all doors securely.
- Park the vehicle where it can be seen. At night, park in a well-lit area.
- Ensure that the keys and the key transmitters are removed from the vehicle before locking the doors, and that all doors, the luggage compartment and the hood are closed.

Touring

Foreign travel

Before planning foreign travel, check with a motoring organisation to ensure that your vehicle will comply with legal requirements of the countries you intend to visit.

International motoring organisations are helpful for all aspects of long distance touring advice.

In some countries it is a legal requirement to carry spare vehicle bulbs.

First aid kit

A first aid kit is compulsory equipment in certain countries. Your Jaguar Retailer can supply a first aid kit.

Petroleum spirit in containers

Some countries forbid the carrying of petrol in containers, as do most ferry and hovercraft operators.

Cellular radio telephones

Ask your motoring organisation about the use of cellular radio telephones before travelling abroad, as some countries exercise controls on the importation and use of such equipment.

Roof-rack

Only the Jaguar approved roof-rack should be used.

The maximum load, including the weight of the rack, must not exceed the load rating indicated on the roof-rack bars and **must** be deducted from the vehicle maximum luggage load.

Loads on the roof-rack may affect vehicle handling, especially in crosswinds or when cornering.

Jaguar warning triangle

A warning triangle to give traffic advanced notice of a disabled vehicle is compulsory in many countries.

A triangle, designed to international standards is fitted as standard equipment in certain countries. The warning triangle with its stand legs folded flat, is mounted on the inside of the luggage compartment lid.

In an emergency, remove the triangle and unfold its stand legs. Place the triangle in the road in accordance with local traffic regulations to give oncoming traffic warning of an immobilised vehicle.

Hazard warning lights must be used with the warning triangle.

4-62 On the Road

Towing a Trailer

Your Jaguar Retailer, and the main motoring organisations can advise you on towing, towing weight capacities and about regulations that apply in other countries.

The following are important points of safety, stability and comfort upon which further advice should be sought:

- Maximum braked towing weight is permissible, provided long periods of uphill driving on gradients over 8% are not undertaken.
- In high altitude mountainous regions, the thinner atmosphere can reduce engine performance. Above 3280 feet (1000 metres) the stipulated maximum permitted gross train weight must be reduced by 10% for every 3280 feet (1000 metres) in altitude.
- The kerbside weight of the vehicle can be found on page 8-4.
- When towing at the maximum permissible rear axle load keep within legal towing speeds but in any case do not exceed 62 mph (100 km/h).
- Tyres must be inflated to the normal (higher) pressures shown on the tyre pressure label on the fuel filler flap.
- The recommended maximum tow-ball nose weight is shown on page 8-5. Having a lower nose weight or exceeding the maximum nose weight limit may impair the vehicle's handling.
- When towing, the nose weight of the trailer and the tow-bar assembly must be deducted from the permissible maximum load, see page 8-5.
- Avoid heavy braking. As the overrun brake on the trailer is not connected to the ABS, heavy trailer braking could critically affect the stability of the outfit as a whole.
- Ensure that the towing vehicle's engine, transmission, suspension, brakes and tyres are fully efficient and regularly serviced. Similarly check the wheels, tyres, brakes and wheel bearings of the trailer.

Caution:

1. **When not in use, it is recommended that the removable tow-ball is either securely stowed in the luggage compartment or, preferably, not in the vehicle. Do not leave it loose in the vehicle.**
2. **It is essential that only a Jaguar tow-bar and Jaguar electrical tow-bar kit are supplied and fitted by a Jaguar Retailer. Contact your Jaguar Retailer for details of additional parts that are advised to be fitted before towing. This is particularly important with this vehicle having air suspension. If unapproved towing equipment is used whilst towing, the air suspension speed lowering function will not be inhibited. This may result in a change in trailer weight distribution and attitude.**

Fuel and Refuelling

Before refuelling, switch off the ignition and remove the key.

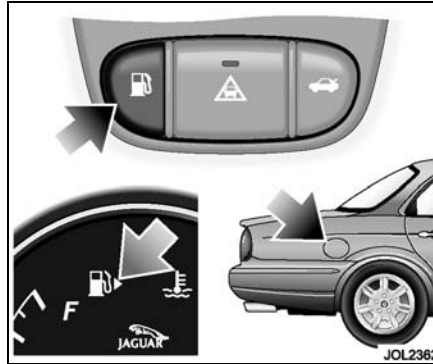
Note: Do not leave the ignition key in the vehicle; vehicles have been stolen from garage service/filling stations whilst the driver is absent from the vehicle. It is recommended that the vehicle is locked, if left unattended.

Caution: No additives of any kind (fuel or oil) must be put into the fuel tank. Additives could reduce engine life or affect exhaust emissions.



WARNING:

1. Fuel vapour is highly flammable and in confined spaces is explosive and toxic. In the event of inadvertent spillage, and before refuelling, always switch OFF the engine. Do not use exposed flame or light. Do not smoke. Do not inhale fumes.
2. Do not fill the tank so that fuel is visible in the fuel filler intake tube. This could cause spillage and danger from exposed fuel.

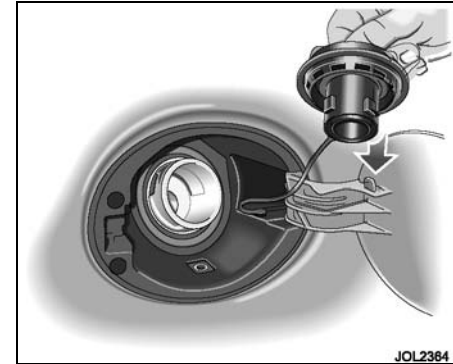


Fuel Tank Filling

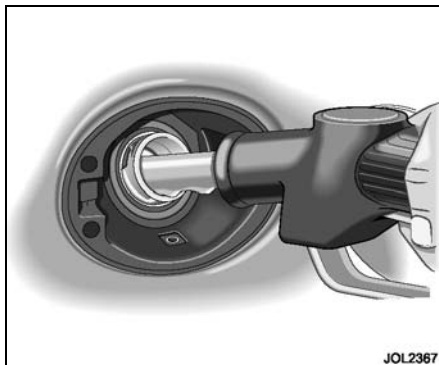
Caution: Your vehicle is fitted with catalytic converters and must only be filled with 'Unleaded Fuel'.

The fuel filler flap release switch is located in the knee bolster switchpack below the fascia. The filler flap is on the right-hand side of the vehicle.

A small arrow is shown on the fuel gauge as a reminder on which side of the vehicle the fuel filler flap is located.



Open the fuel filler flap and turn the filler cap anti-clockwise, a ¼ turn until resistance is felt. Continue turning to release the cap from the filler neck. The cap is held by a retaining strap and can be stowed over the hook on the flap to allow easy access to fill the tank. A warning label on the inside of the fuel filler flap advises type/grade of fuel.



When filling, the dispenser nozzle must be inserted into the filler neck sufficiently to open the trap door for fuel to flow into the fuel tank. For quickness and to completely fill the tank, ensure that the fuel nozzle rests on the filler neck as shown. Fill the tank until the filler nozzle automatically shuts off. Filling beyond this point could result in fuel spillage.

After refuelling, refit the fuel filler cap in to the filler neck, twist the filler cap clockwise until it clicks and close the flap, which automatically locks shut.

The continuous use of high quality fuel makes the need for additional additives unnecessary.

This will help to protect the engine components against corrosion, carbon deposit formation and prevent the fuel injection system from clogging.

If in doubt your local Jaguar Retailer will advise on which fuel must be used in your vehicle.

Fuel requirements

The filler neck of the fuel tank is a small diameter to suit the unleaded fuel pump nozzle and will prevent the larger diameter leaded fuel nozzle from entering the filler neck.

Note: Not all countries have a small diameter nozzle, for example, Japan, so care must be taken to only fill the tank with unleaded fuel.

Fuel capacity

Avoid the risk of running out of fuel and never intentionally drive the car when the fuel gauge indicates that the tank is empty. When refuelling your vehicle after the fuel gauge reads empty, you may not be able to add the fuel quantity shown below to the tank as there will be a small reserve remaining in the tank.

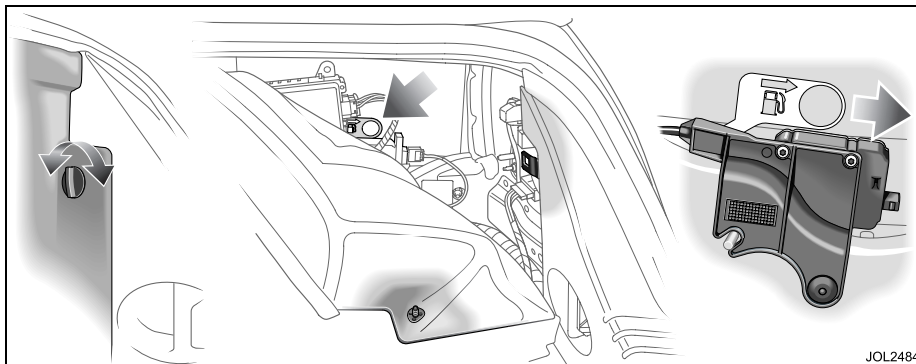
| | Normally Aspirated | Supercharged |
|--|------------------------------|--------------------------------|
| Tank capacity | 22.4 US gallons 85 litres | 22.3 US gallons 84.5 litres |
| Fill capacity (when fuel gauge indicates empty) | 20.9 US gallons 79 litres | 20.3 US gallons 77 litres |
| Reserve capacity (when fuel gauge indicates empty) | 1.5 US gallons 5.8 litres | 2.0 US gallons 7.5 litres |

Fuel Economy

The following tips not only lead to greater fuel economy but also reduce air pollution causing less environmental damage:

- Try to avoid using the car for short journeys – this will lead to greater fuel economy and reduce wear on the engine.
- Plan ahead – choose uncongested routes, combine car trips and share cars where possible.
- Drive off as soon as possible after starting a cold engine – do not leave the engine idling until it has warmed up.
- Drive smoothly and efficiently – harsh acceleration and heavy braking have a significant effect on fuel consumption – driving more smoothly saves fuel.
- Slow down – driving at high speeds significantly increases fuel consumption.
- Switch off – sitting stationary is zero miles per gallon, switch off the engine when it is safe to do so.
- Unnecessary weight – do not carry unnecessary weight and remove roof-racks when not in use.
- Regular servicing keeps the engine at best efficiency.
- Ensure that tyres are inflated to the correct pressure for the journey.
- Use air conditioning and all vehicle electrical devices sparingly – all increase fuel consumption.
- Check your fuel consumption – it will help you get the most from your car and any significant change in consumption may indicate a vehicle fault.

4-66 On the Road



Fuel filler flap manual release

If the fuel filler flap fails to release it can be manually unlocked as follows:

1. In the luggage compartment, remove the carpet from the right-hand side, behind the rear light. To do this, turn the carpet securing screws a ¼ turn and then firmly pull the top corner of the carpet down.
2. Locate the fuel flap release mechanism and pull the knob rearwards. This will release the flap to gain access to the filler cap and enable the vehicle to be refuelled.
3. Report the fault to a Jaguar Retailer.

Unleaded fuel

All vehicles are fitted with a catalytic system and can only use unleaded fuel.

Unleaded fuel must be used for the emission control system to operate properly. Its use will also reduce spark plug fouling, exhaust system corrosion and engine oil deterioration.

The preferred fuel should have an octane rating of at least 95 RON (Research Octane Number).

‘Super Green’ Plus 98 RON unleaded fuel (where available) may be used as an alternative to the standard 95 RON unleaded fuel.

Some countries have only 91 RON fuel available. The vehicles in these countries are specially calibrated to use this fuel.

Using unleaded fuel with an octane rating lower than recommended can cause persistent, heavy ‘spark knock’ (a metallic rapping noise). If severe, this can lead to engine damage.

If a heavy ‘spark knock’ is detected even when using fuel of the recommended octane rating, or if you hear steady ‘spark knock’ while holding a steady speed on level roads consult a Jaguar Retailer to have the problem corrected. Failure to do so is misuse of the vehicle, for which Jaguar Cars Limited, is not responsible. However, occasional light ‘spark knock’ for a short time while accelerating or driving up hill, may occur.

Emission control components

Owing to the legislative requirements or options available in some countries, a Jaguar Retailer should be consulted where any doubt exists as to the precise emission control system specification of this vehicle.

Fuels containing alcohol

Caution: Take care not to spill fuel during refuelling. Fuel containing alcohol can cause paint damage, which may not be covered under the warranty.

Some fuel suppliers sell fuel containing alcohol without advertising its presence. Where uncertainty exists check with the service station operator.

Note: Some difficulty in starting may be encountered when using alcohol blended fuel.

Ethanol

Fuels containing up to 10 per cent ethanol (grain alcohol) may be used. Ensure the fuel has octane ratings no lower than those recommended for unleaded fuel. Most drivers will not notice any operating difference with fuel containing ethanol. If a difference is detected, the use of conventional unleaded fuel should be resumed.

Methanol

Some fuels contain methanol (methyl or wood alcohol). If you use fuels containing methanol the fuels must also contain co-solvents and corrosion inhibitors for methanol. Also, do not use fuels that contain more than three per cent methanol even if they contain co-solvents and corrosion inhibitors. Fuel system damage or vehicle performance problems resulting from the use of such fuels is not the responsibility of Jaguar Cars Limited, and may not be covered under the warranty.

Methyl Tertiary Butyl Ether (MTBE)

Unleaded fuel containing an oxygenate known as MTBE can be used provided the ratio of MTBE to conventional fuel does not exceed 15 per cent.

MTBE is an ether based compound, derived from petroleum, which has been specified by several refiners as the substance to enhance the octane rating of fuel.

4-68 On the Road

Catalytic Converters

A few precautions on the use of vehicles fitted with catalytic converters are necessary. These are:

1. In order to maintain the efficiency of the emission control system it is essential that unleaded fuel is used. Use of leaded fuel will seriously damage the catalytic converters.
2. Heavy impact on the converter casings must be avoided.
3. The engine settings must not be altered; they have been established to ensure that the vehicle will comply with stringent exhaust emission regulations. Incorrect engine settings could cause unusually high catalytic converter temperatures and thus result in damage to the converter and vehicle. If adjustment to the settings is considered necessary, this should be performed by a Jaguar Retailer.
4. A correctly tuned engine optimises exhaust emissions, performance and fuel economy and it is recommended that the vehicle is regularly maintained.
5. Do not continue to operate the vehicle if any engine malfunction is evident; malfunctions should be rectified immediately. For instance, misfire, loss of engine performance, excessive oil consumption or engine run-on may lead to unusually high catalytic converter temperatures and may result in damage to the converters and vehicle.
6. The use of catalytic converters increases exhaust system temperatures, therefore, do not operate or park the vehicle in areas where combustible materials such as dry grass or leaves may come into contact with the exhaust system.
7. Do not run the engine with either a spark plug lead disconnected or a spark plug removed. Do not use any device that requires an insert into a spark plug hole in order to generate air pressure e.g. tyre pump, paint spray attachment etc., as this could also result in catalytic converter damage.
8. The vehicle is designed for normal road use. Below are examples of abuse which could damage the catalytic converters and vehicle. These may lead to a dangerous condition due to excessively high catalytic converter temperatures.
 - Competition or off-road use.
 - Excessive engine speed.
 - Overloading the vehicle.
 - Switching off the engine whilst in gear.

Climate Control

Introduction 5-3
Front Climate Controls 5-6
Rear Controls (4-zone) 5-10





JAGUAR

Introduction

The cabin is supplied with filtered air from a fully automatic electronic climate control system with manual overrides.

Two systems are available:

- A two zone system which allows the front occupants to set individual temperatures for the left and right sides of the interior.
- A four zone system which allows front and rear occupants to set individual temperatures, i.e. two front zones and two rear zones.

Occupant controls

The main climate control panel is located in the centre console above the radio and audio controls. There are two types of control panel for either two or four zone systems:

- A dedicated control panel with LCD (liquid crystal display) screen (see page 5-6).
- A multi-function touch control and display unit shared with navigation and other systems. Where this control unit is fitted, refer to the Jaguar Touch-screen Handbook for the detailed operating instructions.

Where the four zone climate control system is fitted, an additional control/display panel for rear passenger use is located at the rear of the centre console, between the front seats.

Voice control

The climate control system may also be operated by spoken commands if the optional voice activation system is fitted. For full information on the use of this system refer to the JaguarVoice Handbook.

Recommended Operation

Automatic climate control

Automatic climate control provides efficient regulation of the vehicle environment without constant adjustments from the occupant.

Sensors inside the vehicle monitor temperature, humidity and direct sunlight. In response, the electronic control system automatically adjusts the heat input, blower speed, air intake and airflow distribution so as to maintain the selected temperature(s) and reduce misting.

Automatic operation provides optimum comfort under most driving conditions.

It is recommended that automatic control (AUTO) is selected as the normal operating mode.

Use of air conditioning

Air conditioning is an integral part of the climate control system, providing cooled and dehumidified air for occupant comfort; the dry airflow is also effective in preventing misting of the windows.

While the air conditioner can be manually switched off, it is recommended that it is used in all climatic conditions throughout the year, preferably in AUTO mode.

Close all windows and the sunroof when the air conditioning is on to ensure satisfactory operation.

Use of air recirculation

The air conditioner/heater system is supplied with fresh air via an intake flap. Closing the flap causes the air inside the vehicle to be recirculated. This helps to prevent unpleasant odours from being drawn into the vehicle and also to improve the performance of the air conditioner in very hot conditions. However, the use of recirculated air will cause screen misting after a short period and should only be used as necessary.

5-4 Climate Control

In AUTO mode, the air intake flap is controlled automatically. If required, air recirculation may be manually selected for either a short or indefinite period.

Air Recirculation

Timed air recirculation



Press the button briefly to select timed air recirculation.

The fresh air intake is opened and the button LED extinguished at the end of the time out period.

Latched air recirculation



Press and hold the button for a few seconds to select latched air recirculation. Selection is indicated by the screen symbol and two beeps.

Selecting latched air recirculation cancels AUTO operation.

To deselect latched air recirculation, press the recirculation button again, or select AUTO.



WARNING:

To prevent humidity build up inside the vehicle and possible screen misting, avoid driving with the air conditioning system off or with manual air recirculation selected for prolonged periods.

General Points

To ensure the satisfactory operation of the climate control system, note the following points:

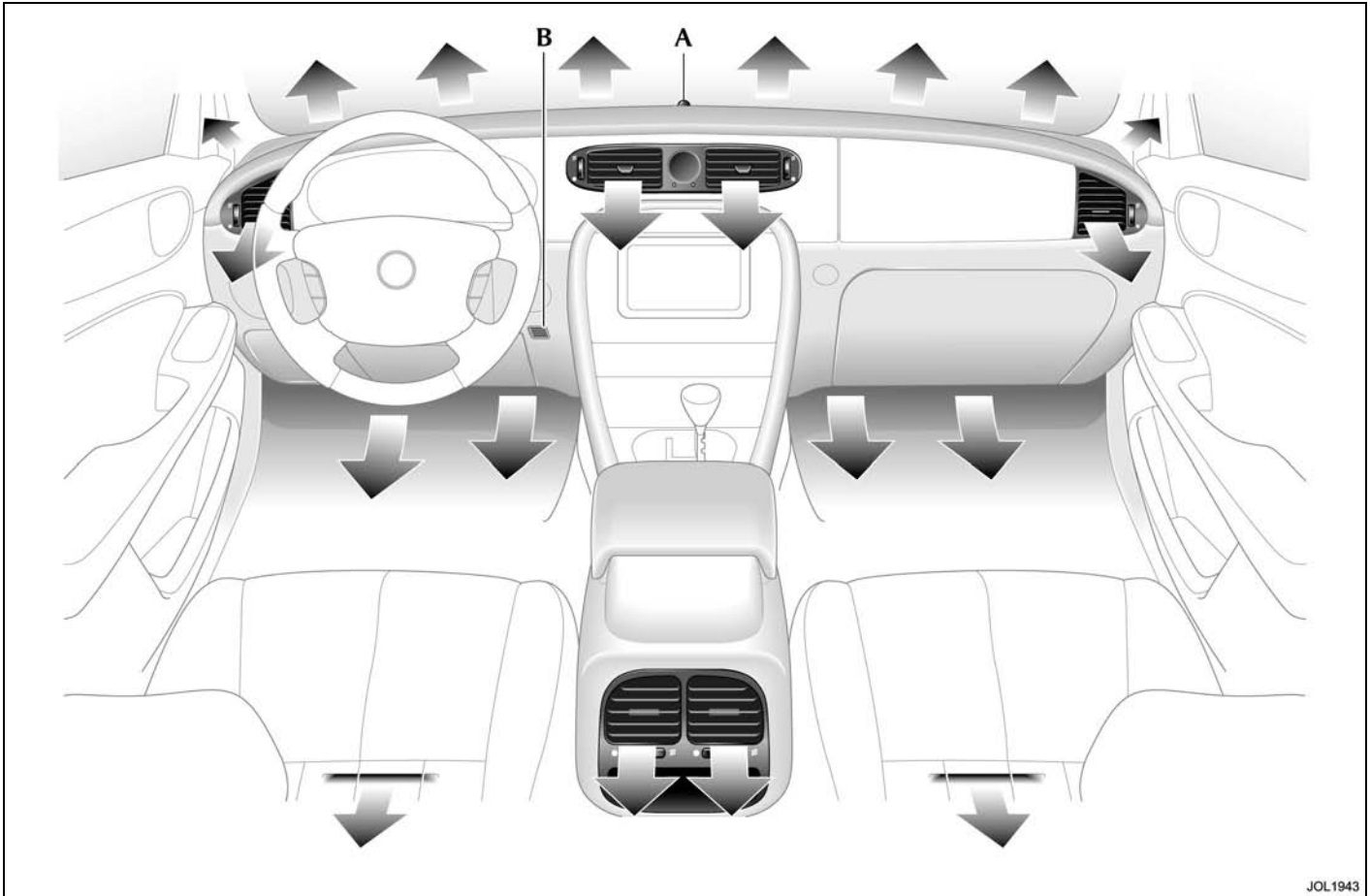
- Ensure that the external grille at the base of the windscreen, which provides fresh air for the climate control system, is kept clear of leaves, snow or obstructions.
- A solar sensor is mounted on the centre top of the fascia, as shown opposite (A). Ensure that this sensor is not covered.
- Temperature and humidity sensors are located behind the small grille (B). Do not cover or obstruct the opening.
- Air ducts under the front seats supply the rear passenger footwells (see illustration opposite). Objects or material placed under the seats may block or obstruct the open ducts.

- The external air intake to the air conditioner/heater system is fitted with a filter. Ensure that the filter is changed at the specified service intervals to maintain efficient operation.
- If the air conditioning system is not used frequently, it should be run briefly at least once each week, with a cold setting, to prevent the seals from drying out with subsequent refrigerant leaks.
- Moisture removed from the air by the air conditioning unit is discharged onto the road underneath the vehicle. After stopping, puddles of water may form underneath the vehicle.

Air Distribution

The illustration opposite shows the location of the air vents within the vehicle. The airflow from the fascia face level vents is regulated using thumbwheel controls and adjustable direction vanes.

Air distribution between the windscreen, fascia and floor levels is selected automatically when operating in AUTO mode but can be selected manually.



5-6 Climate Control

Front Climate Controls

The climate control functions are selected by push buttons and a rotary control. When a button is pressed, selection of the function is confirmed by a beep; most buttons also have an illuminated LED.

Many system functions also have graphic symbols displayed on the LCD (liquid crystal display) screen.

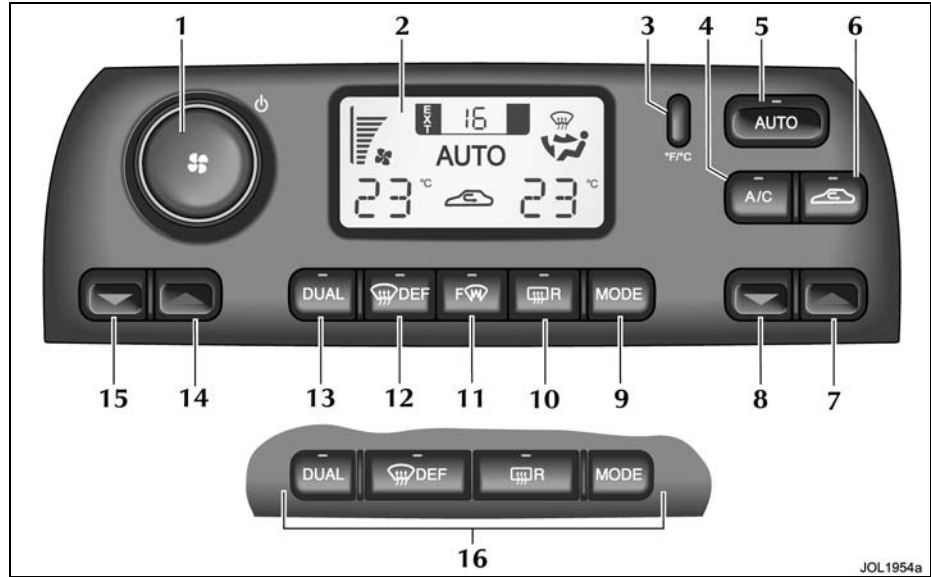
Automatic control (AUTO) may be overridden at any time. Defrost/demist operation is available and also manual selection of blower speed, air distribution, recirculation, air conditioning and windscreen heating.

Panel illumination

With the exterior lighting switched on or Autolamps selected at night, the graphics on the panel controls are illuminated by low level backlighting.

In countries with daytime running lamps, the panel illumination will not be on during daytime if the headlamp switch is off or in Autolamp position unless it is dark and the autolamp selects the headlamps on.

The illumination level is adjusted by the common instrument panel dimmer control (see page 4-25).



1. Blower speed and system on/off.
2. Display panel.
3. Fahrenheit/Celsius selector.
4. Air conditioner on/off.
5. Select automatic operation.
6. Recirculation/fresh air.
7. Increase right zone temperature.
8. Decrease right zone temperature.
9. Select air distribution.
10. Heated rear screen/door mirrors.
11. Heated front screen (optional).
12. Defrost windows.
13. Select dual/single temperature zone.
14. Increase left zone temperature.
15. Decrease left zone temperature.
16. Option without front screen heater.

To Switch the System On

The climate control system operates in position 'II' (run) of the ignition switch.

With the ignition key turned to the run position, the system will switch on in the operating mode last set.

For normal usage select AUTO mode.

AUTO Mode

Automatic operation provides a controlled environment over a temperature range of 61°F to 89°F (17°C to 31°C) and should be regarded as the normal operating mode.



To select automatic climate control press the AUTO button; the word AUTO appears on the LCD screen to confirm selection.

Select the required temperature.

Front and rear screen heating and timed air recirculation may be selected in AUTO mode. Selecting any other control will cancel AUTO operation.

Automatic operation cannot be deselected using the AUTO button. To exit AUTO mode, select another mode or press the blower control knob to switch the system off.

Temperature Selection



Separate controls allow the driver and front passenger zone temperatures to be independently adjusted. Press the red buttons to increase temperature and the blue buttons to decrease temperature.

Both driver and front passenger selected temperatures are always displayed.

Pressing the driver's buttons to select the maximum or minimum temperature settings causes the display to change to HI or LO respectively and cancel AUTO mode.

To quickly jump from HI or LO to a convenient midrange temperature of 73°F (23°C), press and hold AUTO for a few seconds.

Dual Temperature Zones



With the DUAL button LED illuminated, the system provides separate temperature control of the driver and front passenger zones.

Press DUAL to deselect dual temperature control (LED off); the front passenger temperature will change to that of the driver side. Using the driver side temperature control buttons will now change both zone temperatures together.

To select dual temperature control, press either the DUAL button or one of the front passenger side red/blue temperature control buttons. The DUAL LED is illuminated.

External Temperature

The external (EXT) temperature is displayed at the top of the screen.

Fahrenheit/Celsius Selection



Press the button to change the scale between degrees Fahrenheit (°F) and degrees Celsius (°C) for the displayed internal and external (EXT) temperatures.

5-8 Climate Control

Windscreen Defrost/Demist

Frost and heavy misting



To remove frost or heavy misting from the windscreen, press the DEF button.

- The blower switches on automatically at a high speed but the speed can be increased or decreased manually if required.
- Air conditioning switches on automatically and cannot be deselected.
- Recirculation is cancelled and cannot be selected.
- The front screen heater and the rear screen heater/door mirror heaters switch on automatically, provided the engine is running.

To deselect defrost mode, press AUTO (recommended operating mode).

Light misting



To prevent or remove light windscreen misting, select manual air distribution to windscreen and feet (see page 5-9).

Heated Screens and Door Mirrors



The front (F) and rear (R) screen heaters may be switched on and off in any mode, including system off, but only operate when the engine is running. The door mirror heaters are also controlled by the rear screen heater button.

The front screen heater (if fitted) switches off automatically after 6½ minutes.

The rear screen and door mirror heaters switch off automatically after 21 minutes.

The windscreen heaters may be manually deselected during the timed period using the push buttons.

In cold ambient conditions, at the start of a journey, the front and rear screen heaters may switch on automatically for the timed period.

Where a front screen heater is not fitted, the windscreen has a wiper park zone heater which operates automatically with no manual control.

Note: The top three lines of the rear screen pattern are a concealed antenna system and do not defrost the rear screen.

Air Conditioning



Press to switch the air conditioning on or off.

The air conditioning system is controlled automatically in AUTO mode. Deselecting A/C cancels AUTO mode.

The air conditioning system is also switched on automatically in defrost mode (DEF) but cannot be deselected.

Blower Speed



Set the blower speed as required with the rotary control knob. Blower speed is shown as a series of bars on the LCD screen.

When operating in AUTO mode, blower speed is controlled automatically (but not displayed) and any adjustment of the knob will cancel AUTO mode.

Note: In AUTO mode, the blower only operates at low speed, if heating is required, until the engine is warm.

Manual Air Distribution

Air distribution is automatically controlled in AUTO and defrost modes.



Press MODE to select manual air distribution.

Four air distribution modes are available and are selected in succession by pressing the MODE button. A symbol is displayed for the selected mode.



Airflow distributed to the windscreen and feet; select to prevent or remove light misting and when heating the interior.



Airflow directed to foot level; select to heat the interior.



Airflow distributed to the face and feet.



Airflow directed at face level only; select to cool the interior.

To Switch the System Off



Press in the blower rotary control knob to switch the climate control system off.

If the blower control knob is pressed again, the system will switch on in the previous mode set.

4-zone climate control system

If 4-zone climate control is fitted, switching off front climate control (above) will also cause the rear climate control system to be switched off. Switching the front system on again will not switch the rear system on.

Ram Air

With the climate control system switched off, air recirculation is automatically selected (intake flap closed). To select fresh air with the system off, press the MODE button to select one of the air distribution modes.

With the blower switched off, the fresh airflow results from the forward motion of the vehicle (ram air effect).

Smog sensing

Where fitted, the smog sensor detects road traffic pollutants and automatically selects air recirculation when the level of pollution outside the vehicle reaches a certain level. The level of pollution at which the smog sensor will respond can be adjusted.

Once the level of pollutants decreases, air recirculation will switch off (subject to the normal operation of the automatic climate control system).

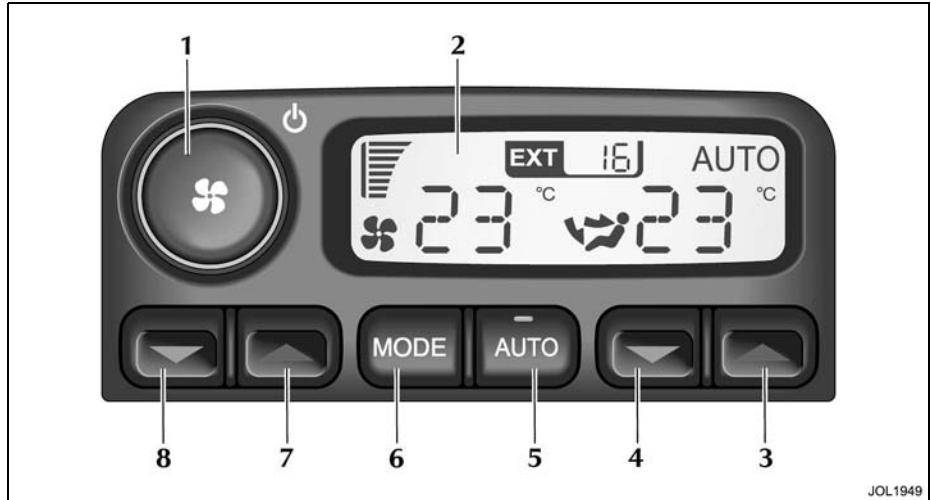
To adjust smog sensitivity: Press the air recirculation and AUTO buttons simultaneously. The display will show a number between 0 and 5: 0 indicates that the smog sensor is switched off, and 5 shows that the sensor is set to its most sensitive setting. Use the driver's temperature control buttons to increase or decrease the smog sensitivity.

Caution: Don't set the smog sensor to a needlessly high level in cold and damp conditions: This could result in interior condensation.

5-10 Climate Control

Rear Controls (4-zone)

Where fitted, the rear climate control panel provides independent temperature control of the rear left and right passenger zones when the front control system is operating.



1. Blower speed and system on/off.
2. Display panel.
3. Increase right zone temperature.
4. Decrease right zone temperature.
5. Select automatic operation.
6. Select air distribution.
7. Increase left zone temperature.
8. Decrease left zone temperature.

Switching On

The rear climate control system can only be switched on if the front system is already switched on. Switching on the front system does not switch on the rear system.

To switch on the rear climate control system, press AUTO, or press in the blower control knob (1).

AUTO Operation

Selecting AUTO (5) provides full automatic temperature control, including blower speed and air distribution, for both rear positions.

Temperature Control

The left and right zone temperatures are set independently using the red (increase temperature) and blue (decrease temperature) in the same manner as the front system.

HI/LO (maximum/minimum temperatures) cannot be selected on the rear control panel but selection of HI/LO on the front panel will apply to all four zones, overriding rear temperature selection.

MODE Button

Press the MODE button (6) to select manual air distribution; repeat presses will cycle through the following options:

- Rear airflow to face level only.
- Rear airflow to face and feet levels.
- Rear airflow to feet only.

Selecting MODE will immediately cause AUTO operation to be deselected.

Blower Speed

Rotate the blower speed knob (1) to vary the blower speed as indicated by the changing number of bars shown on the LCD display (2).

Adjusting the blower speed will immediately cause AUTO operation to be deselected.

Note: If defrost (DEF) is selected on the front control panel, the rear system will operate normally but with a limit on the blower speed.

Switching Off

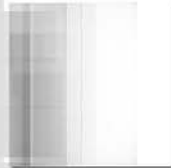
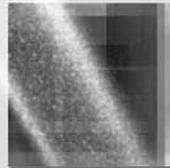
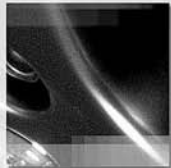
The rear system may be switched off independently of the front system by pressing in the blower control knob (1). The rear system will be switched off if the front system is switched off.



JAGUAR

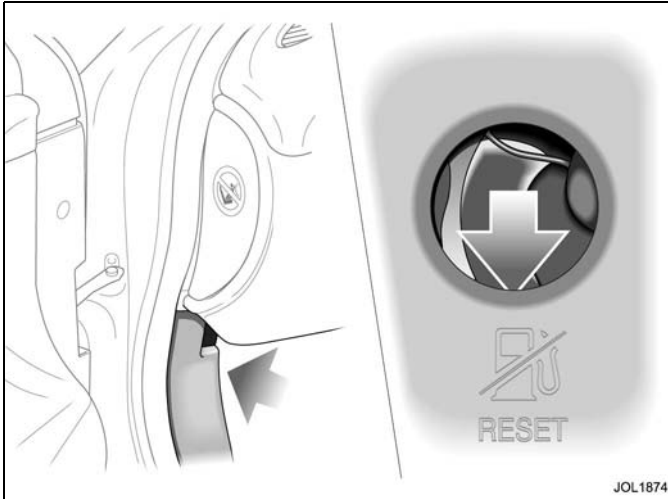
Roadside Emergency

| | |
|--------------------------------------|------|
| Inertia Switch | 6-3 |
| Trunk Underfloor Access | 6-4 |
| Emergency Starting | 6-4 |
| Wheel Changing and Jacking | 6-6 |
| Vehicle Recovery | 6-11 |
| Bulb Renewal | 6-14 |
| Fire Extinguisher | 6-20 |
| Fuses and Fuse Boxes | 6-21 |





JAGUAR



Inertia Switch

In the event of an accident, the inertia switch may trip (depending on the severity and type of impact), isolating operation of the fuel pump. Once the switch has tripped it must be reset before attempting to restart the engine.

The inertia switch is located behind the trim on the left-hand side of the vehicle, forward of the front door post, below the fascia. A finger access hole in the trim allows the driver to reset the switch.

Resetting the Switch



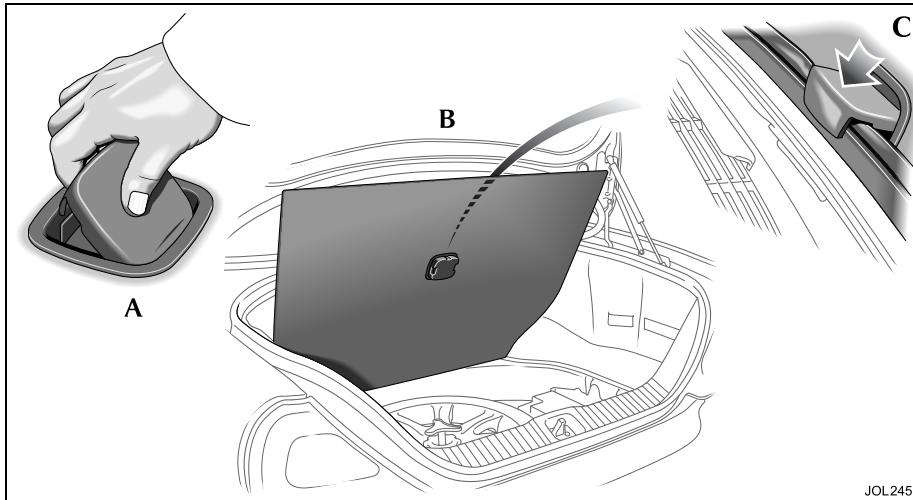
WARNING:

To avoid the possibility of fire or personal injury, do not reset the inertia switch if you see or smell fuel.

If no fuel leak is apparent, reset the inertia switch as follows:

1. Turn the ignition switch to position '0'.
2. Press down the red reset button on the top of the inertia switch.
3. Turn the ignition switch to position 'II', pause for a few seconds, then return the key to position '0'.
4. Make a further check for fuel leaks.

6-4 Roadside Emergency



Trunk Underfloor Access

The space under the trunk floor houses the spare wheel, battery, jack and rear fuse box.

To raise the floor panel, press down the rear of handle (A) then, holding the handle at the front, swing the floor panel upwards (B). Hook the handle securely over the top edge of the trunk opening (C).

Emergency Starting

This vehicle is fitted with automatic transmission. In the event of a discharged battery preventing a normal engine start, the vehicle **cannot** be started by pushing or towing. Either use jump leads connected to a booster battery (e.g. on another vehicle) or fit a fully charged battery (see page 7-15).

Emergency Starting Using Jump Leads

Both the booster and discharged battery should be treated with great care when using jump leads. Always use high quality leads capable of carrying the starter current of the vehicle to be started.

Before commencing, the following precautions must be taken:

- When the battery of another vehicle is being used, ensure that the vehicles do not touch. Alternatively, remove the charged battery and place near to, not on, the vehicle with the discharged battery.
- Ensure that both vehicles have all electrical services OFF, the parkbrakes applied and the transmission in the 'P' (park) position.
- Where the jump leads are of a different colour, e.g. red and black, use red for positive (+). This aids identification and helps to avoid crossing positive (+) to negative (-). Take extra care to avoid crossing the polarity when using cables of the same colour.

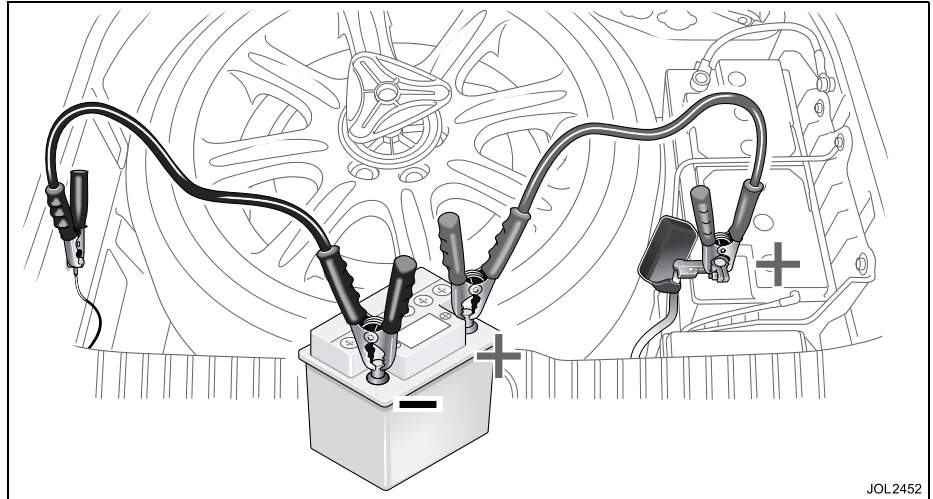
Caution:

1. If using a jump start vehicle, under no circumstances should the vehicles come into contact with each other. This could establish an earth connection, which may cause sparks and damage.
2. Do not run the engine of the jump start vehicle when boost starting a Jaguar vehicle. If the jump start vehicle's engine is running and the jump leads are disconnected, damage to the Jaguar vehicle's electrical system will result.
3. The booster battery voltage must not exceed 12 volts.

The procedure must be followed exactly, being careful not to cause sparks:

1. Unclip the battery positive (+) terminal cover.
2. Attach one end of the red jump lead to the positive (+) terminal of the booster battery and the other end to the positive (+) terminal of the discharged battery. Make sure that a good connection is made.

Caution: Do not connect the negative jump lead directly to the negative (-) terminal of the discharged vehicle.



3. Attach one end of the black jump lead to the negative (-) terminal of the booster battery and the other end to the earth stud on the left-hand side of the spare wheel well.
 4. Start the engine.
 5. When started, allow the engine to idle for five minutes before disconnecting the cables.
 6. Disconnect the black jump lead from the earth point and the booster battery negative (-) terminal.
 7. Disconnect the red jump lead from the positive (+) terminals of both batteries.
 8. Refit the cover to the positive (+) terminal.
 9. Close the trunk floor panel.
- After starting the engine, it may be necessary to reset the electric parkbrake as described on page 4-34. See also **After battery reconnection** on page 7-16.

6-6 Roadside Emergency

Wheel Changing and Jacking

Be prepared for a flat tyre. Know where equipment is stowed and read the wheel changing and jacking instructions carefully. Keep the jack screw threads clean and greased to ensure it is always ready for an emergency.

Park off the road, clear of all traffic and on as level, solid ground as possible. Switch on hazard warning lights and, where legally required, display the warning triangle.



WARNING:

It can be dangerous to change a wheel when the vehicle is on a slope or soft, uneven ground.

Temporary-use Spare Wheel

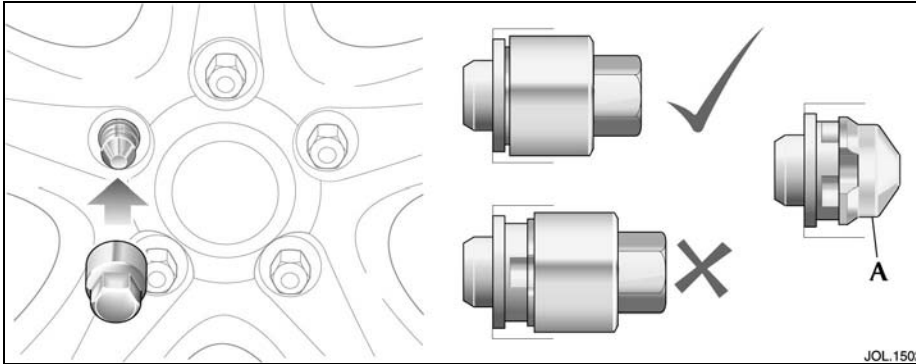
Note: Maintenance information for the temporary-use spare wheel is the same as given for normal tyres.

Observe the following warnings before using the wheel:



WARNING:

- 1. Please note the temporary-use spare wheel warning label on the wheel. Adhere to instructions on the label. Failure to comply can be dangerous.**
- 2. When a temporary spare wheel is fitted, drive with caution and replace with the specified wheel and tyre as soon as possible.**
- 3. Do not fit more than one temporary-use spare wheel and tyre assembly at a time.**
- 4. The temporary-use spare wheel must be inflated to the correct pressure.**
- 5. Temporary-use spare wheel maximum speed is 80 km/h (50 mph).**



Locking Wheel Nuts

Where Jaguar locking wheel nuts are fitted (one on each wheel), they can only be removed using the correct key socket.

The locking wheel nut comprises two grooved parts, front and rear, which must be turned together to allow the nut to be fitted or removed.

To remove the nut, the front and rear grooves must be aligned. Locate the key socket in the grooves and push it fully over both parts of the nut. Fit the wheel nut wrench over the key socket and loosen the locking wheel nut (turn anti-clockwise).

Attempting to remove the nut without the correct key socket (such as attempted theft) or with the socket not located over the rear part of the nut, will cause the front part only (A) to turn.

If this has happened, rotate the front part with the key socket until the grooves are re-aligned and then push the socket fully over the nut.

Should a new key socket be required, contact your Jaguar Retailer. Proof of vehicle ownership will be required.

6-8 Roadside Emergency

Spare Wheel and Jack Removal

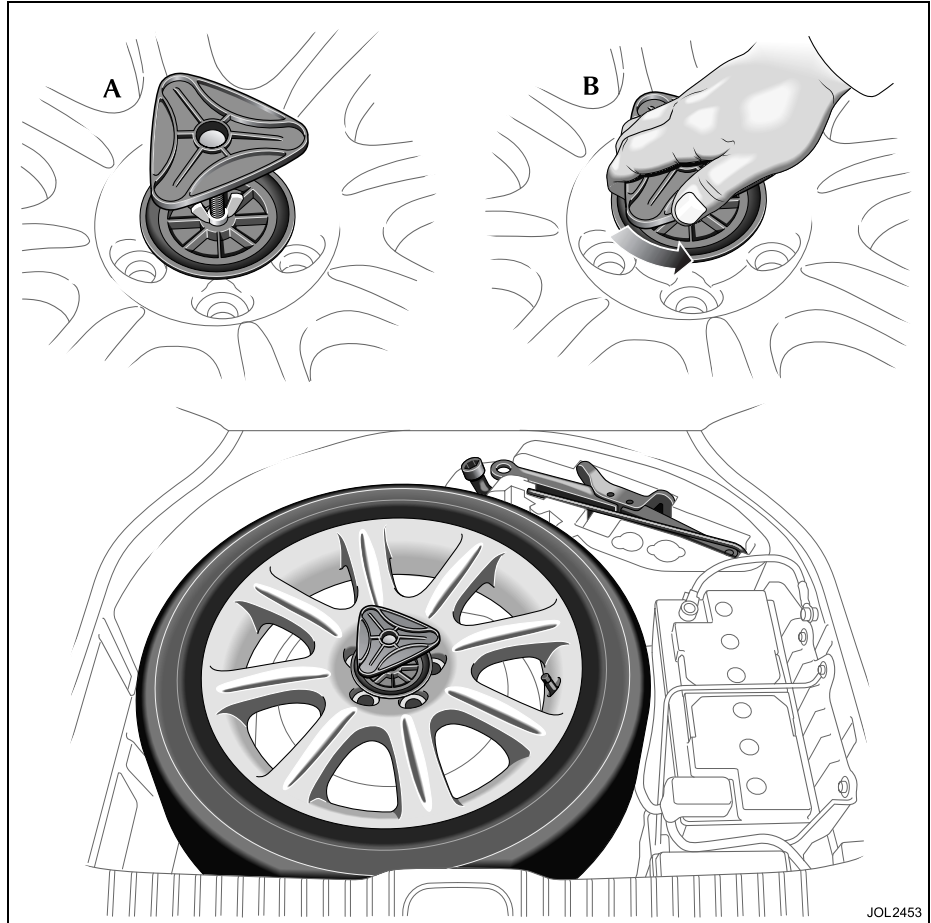


WARNING:

Wheels are extremely heavy. Take care when lifting and particularly when removing and replacing a wheel in its storage position in the luggage compartment.

The spare wheel and jacking equipment are stored under the trunk floor panel. See page 6-4.

To remove the spare wheel, fully unscrew the locking ring (A). Unscrew the wing nut below the locking ring. This allows wheel retainer (B) to be lifted and removed. The wheel can now be lifted out.



Wheel Changing Procedure

1. Ensure that all passengers are in a safe place, clear of the vehicle.
2. Apply the parkbrake and select gear position 'P' (Park).
3. Ensure that the jack is placed on firm and level ground.

Note: When one rear wheel is lifted off the ground the selection of gear position 'P' (Park) will not prevent the vehicle from moving and possibly slipping off the jack.



WARNING:

1. **Before attempting to lift the vehicle with the jack, chock the wheel diagonally opposite to the wheel being replaced to prevent the vehicle from rolling when jacked up. A wheel chock is supplied with the jacking equipment for this purpose.**
2. **Never work under the vehicle using only the jack as a support, always use axle stands or suitable supports under the jacking points.**



Observe the instructions printed on the jack.

Use the jack only for lifting the vehicle during wheel changing, and only use the jack which is stored in the vehicle.

Do not start or run the engine while the vehicle is only supported by a jack.

Removing the wheel

Before raising the vehicle slacken but do not remove the wheel nuts.

There are four jacking points, two each side of the vehicle on the underside of the floor. These provide positive location for the jack.

To locate the jacking point, feel along the sill panel to the cut-away portion and then fit the jack to the body, as shown, **not to the sill panel.**

Caution: Ensure before raising the vehicle that the jack is correctly positioned to avoid any damage to the vehicle sills or sill panels. Use only the correct jacking points, never use bumpers or any other part of the body to lift the vehicle.

6-10 Roadside Emergency



WARNING:

1. Do not attempt to lift the vehicle unless the jack head is fully engaged in the jacking point.
2. Ensure that the parkbrake is applied.

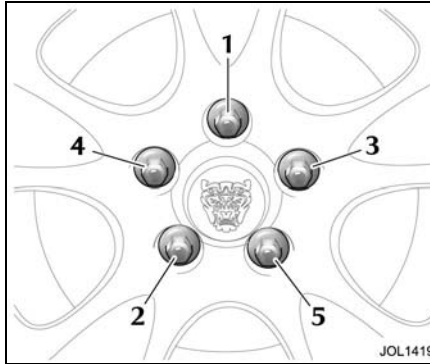
Place the jack squarely beneath the appropriate jacking point. Ensure that the jack head is fully engaged. Carefully raise the vehicle by turning the handle. Stop jacking the vehicle when the tyre just clears the ground. Minimum tyre lift gives maximum vehicle stability.

Remove the wheel nuts and the wheel.

Centre badge

When changing the alloy road wheels, transfer the centre badge to the replacement wheel. Using the plastic tipped end of the wheel nut wrench handle from the inside of the wheel, push the centre badge from its housing.

Push the centre badge into the replacement wheel.



Fitting the spare wheel

Fit the spare wheel and loosely secure with the wheel nuts.

Using the wheel nut wrench, lightly tighten the wheel nuts alternately using the sequence shown in the illustration.

Lower the jack and tighten the wheel nuts alternately, DO NOT OVER TIGHTEN.

At the earliest opportunity have the wheel nuts tightened with a torque wrench to 92 lb.ft (125 Nm).

This torque must not be exceeded.

Stowing the equipment

Stow the replaced road wheel in the trunk.

Check that the locking ring is unscrewed fully so that it is as close as possible to the handle of the wheel retainer. This is to ensure that the wheel retainer can be fitted correctly.

Locate the wheel retainer into its mating thread in the trunk floor and tighten it fully, then tighten the locking ring clockwise to secure the wheel.

See page 6-8.

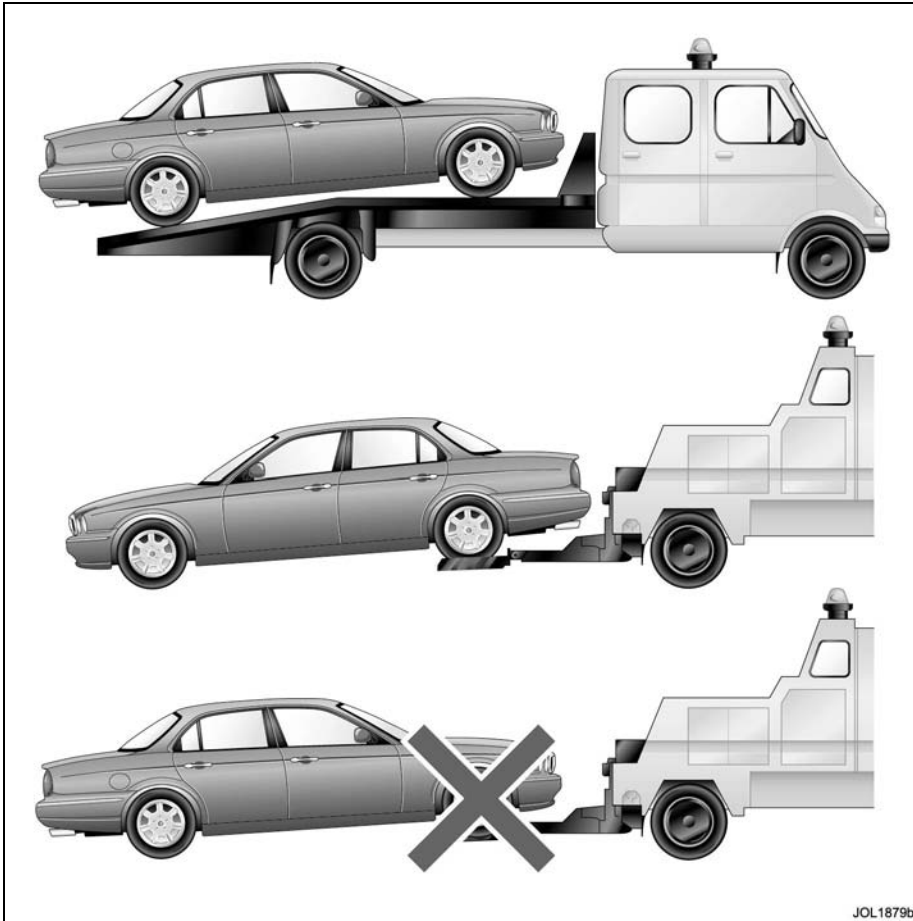
Stow the jacking equipment.

Close the trunk floor panel.



WARNING:

When a temporary spare wheel is fitted, drive with caution and replace with the specified wheel and tyre as soon as possible.



Vehicle Recovery

The preferred vehicle recovery method is by using a flat bed transporter or rear suspended tow.

Caution:

1. If the vehicle has defective transmission, to prevent further damage, it must be towed with the rear wheels clear of the ground.
2. Ensure that the recovery team do not tow with sling-type equipment since damage to the bodywork may result.
3. Do not tow the vehicle by suspending the front end.

Transporting

If the vehicle is being transported on a trailer or flat bed transporter, the parkbrake must be applied, the wheels chocked and the gear selector lever moved to position 'N' or 'D' but NEVER to 'P'.

The vehicle must be securely tied down to the transporter or trailer, see next page.

6-12 Roadside Emergency

Transporter tie-down procedure



WARNING:

Avoid body contact with a hot exhaust pipe when securing the vehicle to the transporter.

IMPORTANT – Use straps over the wheels/tyres only, to secure the vehicle to the transporter.

Caution: Do not use the tie-down brackets on the vehicle rear underbody; these are for Jaguar factory use only. In time, with the engine switched off, the vehicle body will drop due to settling of the air suspension system and cause the tie-down chains/straps to become slack if connected to these brackets.

The towing eye is not designed for securing the vehicle during transportation.

Vehicle failure

The removable towing eye is primarily for emergency use when towing for **SHORT DISTANCES**, e.g. removing the vehicle if it is causing an obstruction or for winching the vehicle onto a recovery transporter.

To prevent damage to the automatic transmission whilst the vehicle is being towed with the rear wheels on the ground, towing distance must be restricted to 0.5 miles (0.8 kilometres). Towing speed must not exceed 30 mph (48 km/h).

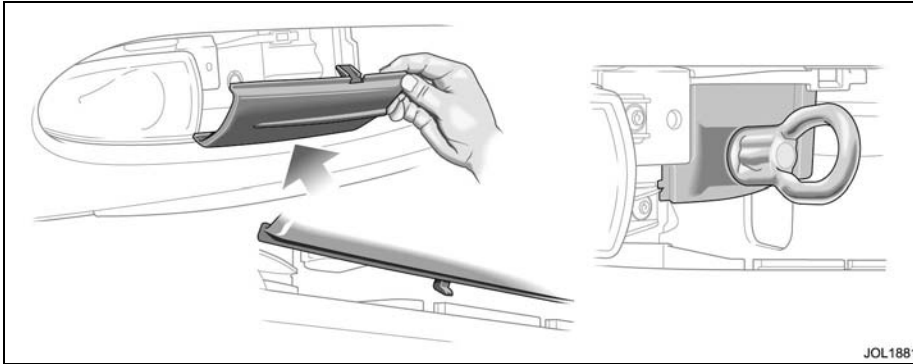
Always obey towing regulations. In certain countries the registration number of the towing vehicle and an 'ON TOW' sign or warning triangle must be displayed in a prominent position at the rear of the vehicle being towed.

When being towed, the gear selector lever must be in neutral (position 'N') with the ignition key turned to position 'II' to release the steering lock and render the indicators, horn and brake lights operational.



WARNING:

When the engine is not running the steering and brakes will no longer be power-assisted. Therefore, be prepared for relatively heavy steering and the need for greatly increased brake pedal pressure.



Towing Eye

A screw-in towing eye is provided in the trunk with the jack and can be fitted to the front or rear of the vehicle. The towing eye has a left-hand thread and must be turned in an anti-clockwise direction when fitting.

Caution:

1. The towing eye is not suitable for 'solid bar' towing.
2. Care must be taken to avoid damaging the bumpers and front apron.

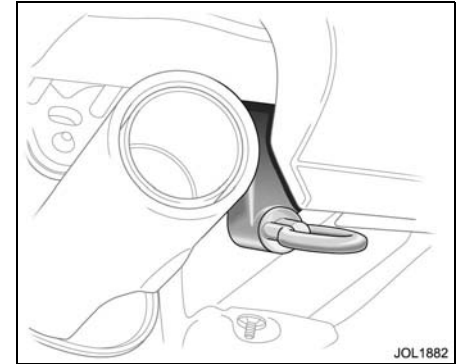
Front tow point

The front tow point is located behind a plastic cover (shown above) on the left-hand side of the vehicle, as viewed from the front.

To remove the cover, unclip the top edge, pivot down and unclip the bottom edge.

Screw the towing eye into the vehicle, right up to the shoulder, turning anti-clockwise.

To refit the cover (towing eye removed) first clip the lower edge to the bumper aperture, pivot up and press the top edge into position.



Rear tow point



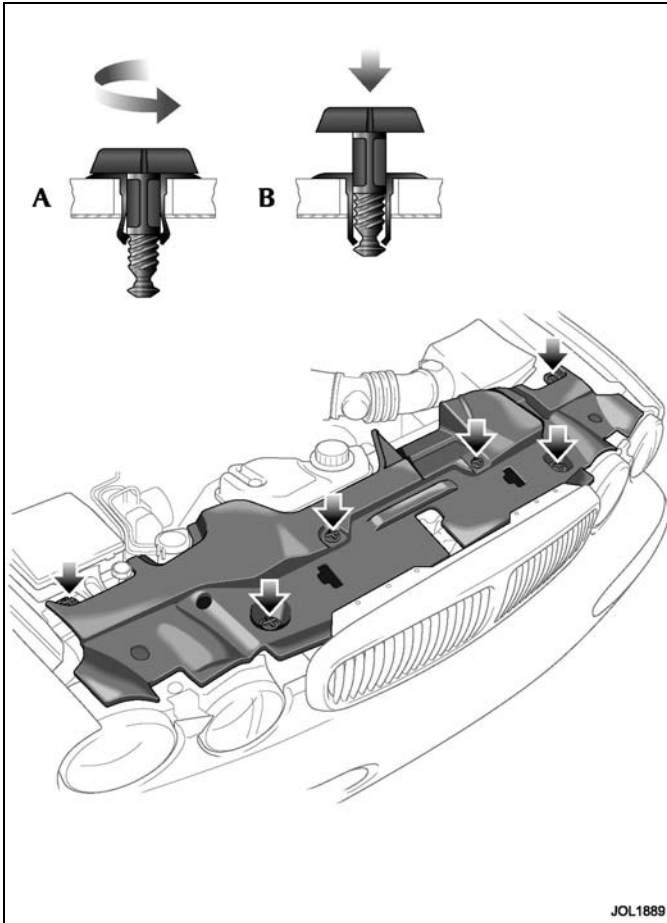
WARNING:

Avoid body contact with a hot exhaust pipe when fitting the eye to the rear towing point.

The rear tow point is alongside the left-hand exhaust pipe.

Screw the towing eye into the vehicle, right up to the shoulder, turning anti-clockwise.

6-14 Roadside Emergency



JOL1889

Bulb Renewal

When renewing bulbs, use only the specified type and always switch off the ignition and lights.

Top Access Cover

To gain access to the headlight units, the top cover must be removed.

Unscrew and remove the six fasteners (A). Remove the top cover.

After changing the defective bulb, refit the cover, push the fasteners (B) into place and then screw the fasteners fully in to retain the top cover.

Headlights

Either of two headlight systems are fitted:

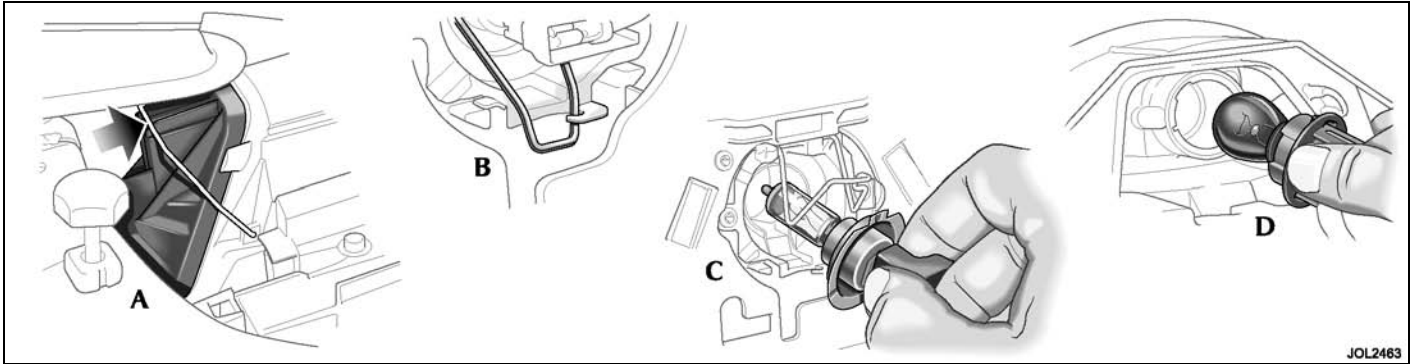
- Halogen headlight bulbs in both the inner/main beam positions and the outer/dipped beam positions.
- Halogen bulbs in the inner/main beam positions and High Intensity Discharge (HID) Xenon lights in the outer positions. The HID system provides dipped beam lights.

Where HID lighting is fitted, refer to your Retailer if the headlight fails to operate.



WARNING:

The HID lights use a high voltage igniter system and should only be serviced by a Retailer.



JOL2483

Dipped beam (outer) headlights

Caution: Halogen bulbs will be damaged if touched by hand or contaminated with oil or grease. It is important to use clean gloves or cloth when handling a bulb which is to be used again. A contaminated bulb may be cleaned with methylated spirit before refitting.

Open the hood and remove the top cover as shown on page 6-14.

Pull the retaining clip (arrowed in A above) upwards. Move the top of headlight assembly outer bulb cover rearwards to gain access to the bulbs.

Pull off the bulb connector. Release the bulb spring clip (B) from below the bulb and lift it clear of the bulb. Pull out the bulb from the headlight assembly.

Locate the new bulb (type H7) into the headlight with the bulb tab uppermost (C). The bulb will only fit correctly in one position.

Engage the spring clip (B) to secure the bulb. Fit the bulb connector.

Refit the bulb cover to the headlight assembly and secure with the retaining clip.

Refit the top cover and close the hood.

It is advisable to have the headlight aim checked by a Retailer after bulb renewal.

Front direction indicator bulb

The front direction indicator bulb is located above the outer headlight bulb (halogen or HID type) and is accessed via the outer bulb cover (see column 1).

Turn the bulb holder a quarter turn anti-clockwise and pull out (D).

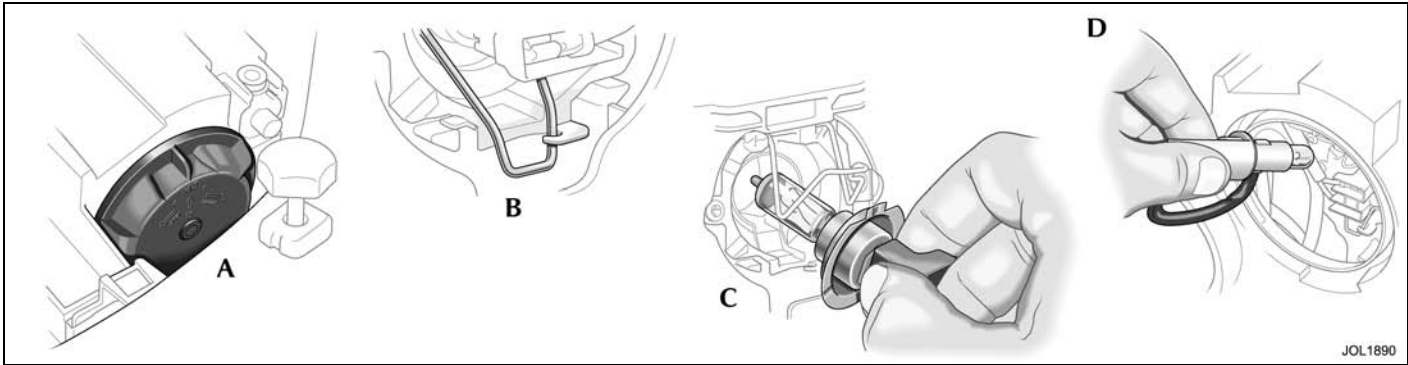
Remove the bulb and fit a new one of the correct type, PY21W.

Fit the bulb holder to the lamp unit, it will only fit in one position.

Turn clockwise to secure. Refit the headlight assembly outer bulb cover and secure with the retaining clip.

Refit the top cover and close the hood.

6-16 Roadside Emergency



Main beam (inner) headlight

Caution: Halogen bulbs will be damaged if touched by hand or contaminated with oil or grease. It is important to use clean gloves or cloth when handling a bulb which is to be used again. A contaminated bulb may be cleaned with methylated spirit before refitting.

Open the hood and remove the top cover as shown on page 6-14.

On the headlight assembly, turn the rear inner cover (A) anti-clockwise as shown and remove.

Pull off the bulb connector. Release the bulb spring clip (B) from below the bulb and lift it clear of the bulb. Pull out the bulb from the headlight assembly.

Locate the new bulb (type H7) into the headlight with the bulb tab uppermost (C). The bulb will only fit correctly in one position.

Engage the spring clip (B) to secure the bulb. Fit the bulb connector.

Fit the rear cover and turn it clockwise to secure.

Refit the top cover and close the hood.

Front parking (side) light – bulb renewal

Open the hood and remove the top cover as shown on page 6-14.

On the headlight assembly, turn the rear inner cover (A) anti-clockwise as shown and remove.

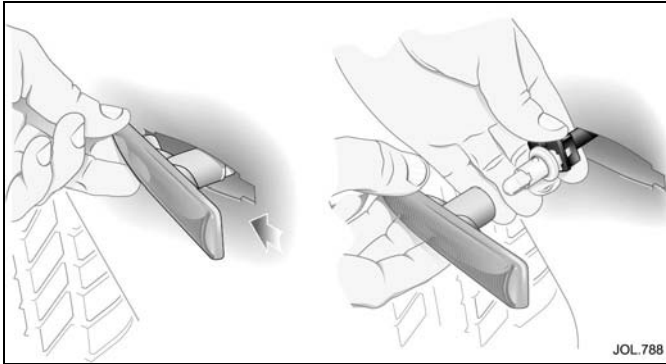
Turn the bulb holder (D) anti-clockwise to remove it from the headlight assembly.

Remove the bulb from the holder and fit a new one of the correct type, W5W.

Reposition the bulb holder in the headlight unit and turn it clockwise.

Fit the rear cover and turn it clockwise to secure.

Refit the top cover and close the hood.



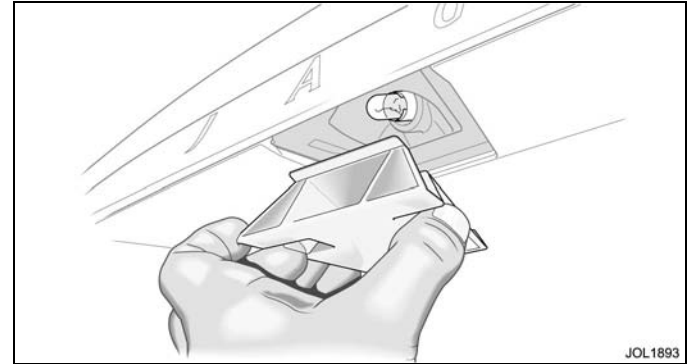
Side repeater indicator – bulb renewal

To remove the light unit from the front wing, push the lens towards the front of the vehicle to compress the spring clip and then pull the rear outwards to remove the complete unit.

Twist the bulb holder anti-clockwise and pull it from the lens.

Pull the capless bulb from the holder and fit a new one of the correct type, W5W. Fit the bulb holder to the lens and twist clockwise to secure.

Place the inner rear of the lens unit into the recess and then push the front of the lens inwards until it clicks into place.



Number plate light – bulb renewal

Press the two lens clips inwards and remove the lens from the vehicle.

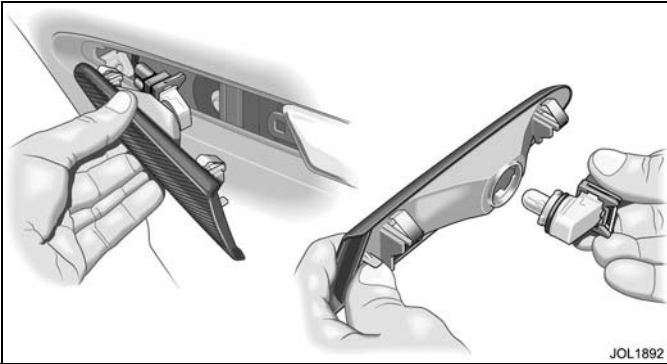
Remove the bulb and fit a new one of the correct type, W5W.

Refit the lens by pressing it firmly into the recess until it clicks into place.

Front fog light – bulb renewal

It is recommended that the front fog light bulb, type H3, is renewed by a Jaguar Retailer.

6-18 Roadside Emergency



JOL1892

Side marker – bulb renewal

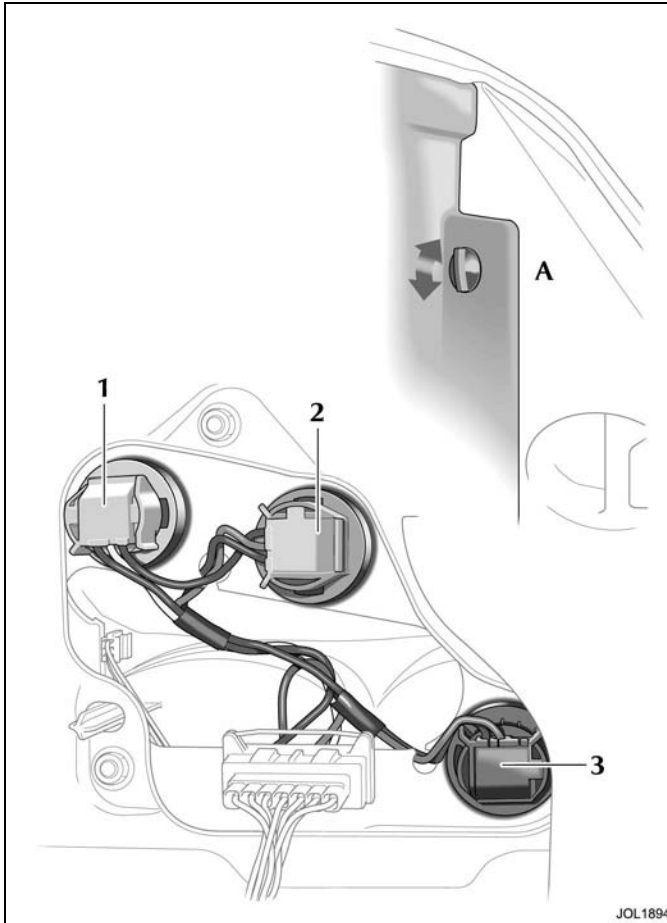
Remove the side marker lamp by sliding it upwards to compress the spring clips. While still holding the lamp up, against the spring clips, gently ease the bottom of the lamp from the bumper. Remove the lamp.

Twist the bulb holder anti-clockwise to remove it from the lamp assembly.

Fit a new bulb of the correct type, W5W to the bulb holder.

Position the bulb holder to the lamp assembly and twist it clockwise to refit it.

Carefully press the lamp assembly into the recess until it clicks into place.



Rear light assembly – bulb renewal

On the rear light assemblies, only the direction indicator, reverse and fog bulbs are replaceable. The stop/tail lamps consist of arrays of LED lights which can only be renewed by a Jaguar Retailer if they fail to operate.

Ensure that the lights and ignition switch are OFF before removing any bulbs.

Open the trunk and secure the floor panel in the open position. See page 6-4.

Rotate fastener (A) a quarter turn and remove. Pull back the side carpet trim to access the rear of the light assembly.

The bulb positions are:

1. Reverse light, type P21W.
2. Direction indicator, type PY21W.
3. Fog light, type P21W.

Rotate the bulb/connector and withdraw it from the assembly. Remove the faulty bulb and fit a new one of the correct type, as illustrated on the bulb holder. It is essential to fit the correct type.

Reposition the bulb/connector and turn it to secure.

Carefully refit the side carpet trim. Fit fastener (A) and rotate a quarter turn.

Close the trunk floor panel.

6-20 Roadside Emergency

Fire Extinguisher

Many countries make it compulsory to carry a fire extinguisher. Your Jaguar Retailer can supply and fit one.

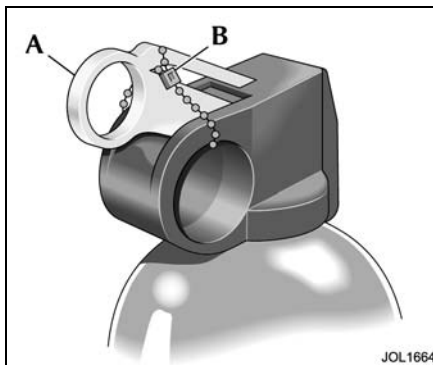
Mexican vehicles have a factory fitted fire extinguisher which contains 2.2 lbs (1 kg) of BC powder pressurised with nitrogen to a working pressure of 180 psi (12 bar) at 68°F (20°C).

This extinguisher can be used on liquid fires, electrical equipment fires and, if no explosion risk, gaseous fires.



WARNING:

1. **Do not test the fire extinguisher prior to use. Partial discharge will render the extinguisher inoperative.**
2. **Do not use the fire extinguisher closer than 8 feet (2.4 m) to the base of a liquid fire as the force may splatter the burning liquid to the surrounding area.**



To operate the fire extinguisher:

1. Unclip and remove the extinguisher from the bracket.
2. Put your finger through the yellow safety wedge ring (A) and pull hard to remove the wedge. The operating lever will be exposed.
3. Hold the extinguisher upright and aim at the base of the fire.
4. Press the lever down firmly.
5. Release the lever to stop the flow of powder.

Maintenance

Every six months:

- Remove the extinguisher from its bracket and check that the nozzle is clear.
- Check that the safety wedge strap (B) is secure.
- Check the pressure gauge on the base of the extinguisher. If the gauge is in the red area report it to your Jaguar Retailer immediately as the extinguisher may not work in an emergency.

Fuses and Fuse Boxes

Do not fit a new fuse if the wiring is damaged; contact a Jaguar Retailer. After renewing a fuse have the circuit checked by a Jaguar Retailer.

Two types of fuses are fitted in the fuse boxes, ATO type and Midi type.

Spare fuses and a special tool for removing and replacing fuses are located on a removable panel clipped to the rear of the trunk (A).

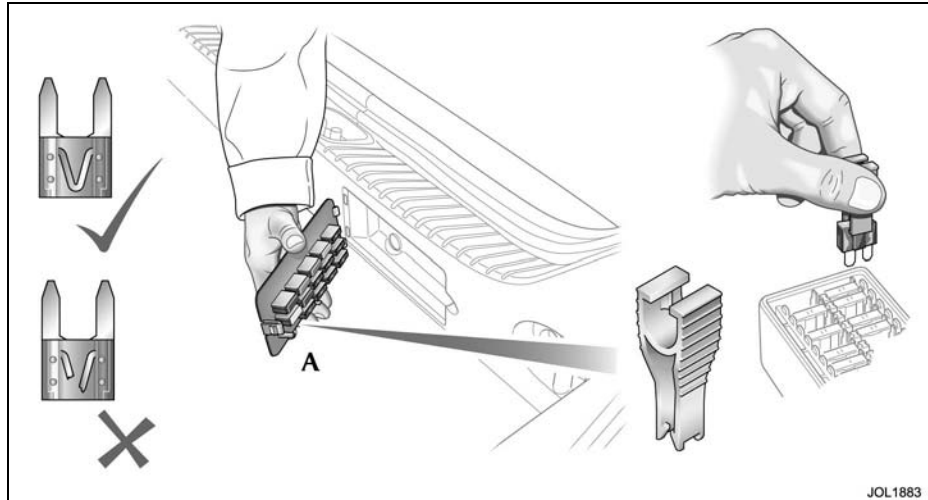
Use only the spare fuses supplied. If a spare fuse is used, renew it with a Jaguar approved fuse of the **same** amperage rating.

Checking and Renewing a Blown Fuse

Make sure the new fuse is the correct rating (amperage).

Fuses are colour coded according to the amperage and the rating is also marked on each fuse.

Caution: When a fuse box lid is removed, take care to protect the box from moisture, and refit the lid at the earliest opportunity.



ATO-fuse replacement

Push the tool on to the suspect ATO fuse and withdraw the fuse. If the wire in the fuse is broken, the fuse has blown.

Fit a new fuse using the tool.

Midi fuse replacement (not shown)

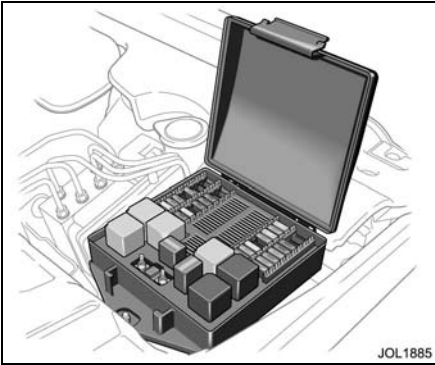
Unscrew the two nuts and remove the fuse. Note that the fuse is supplied directly from the battery +ve; take care not to short a spanner or other metal tool to the chassis when removing the nuts.



WARNING:

1. Do not fit a fuse of a different amperage from that removed. The electrical circuits may become overloaded with the subsequent possibility of a fire.
2. No attempt should be made to repair a fuse that has blown as this may cause a fire hazard or serious damage elsewhere in the electrical circuit.

6-22 Roadside Emergency



Fuse Box Locations

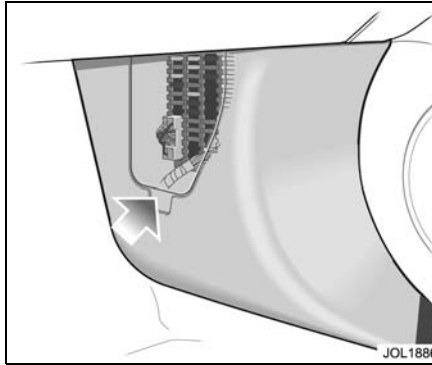
There are three separate fuse boxes fitted to the vehicle, each one containing fuses protecting a different group of circuits.

Engine compartment fuse box

The fuse box is located in the engine compartment on the right-hand side adjacent to the windscreen wash reservoir.

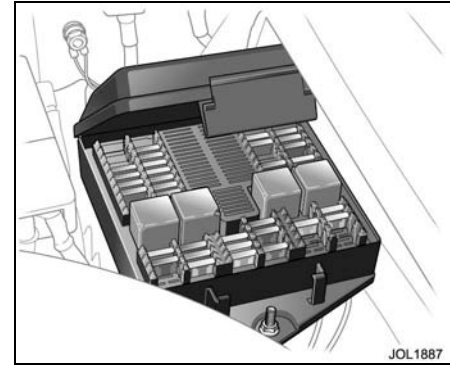
Remove the fuse box lid by pressing the spring catch and lifting.

When refitting, press the fuse box lid in the area of the retaining lugs until the lid engages.



Cabin fuse box

The cabin fuse box is located behind the right-hand side trim panel in the footwell. To access the fuse box, pull out the bottom of the trim panel (arrowed), slide the panel down slightly and remove.



Trunk fuse box

A fuse box is located in the trunk, situated behind the battery.

Open the trunk floor panel to gain access to the fuse box.

Remove the fuse box lid by pulling the retaining clips and pulling the lid upwards.

Reposition the lid and press down until the retaining clips engage.

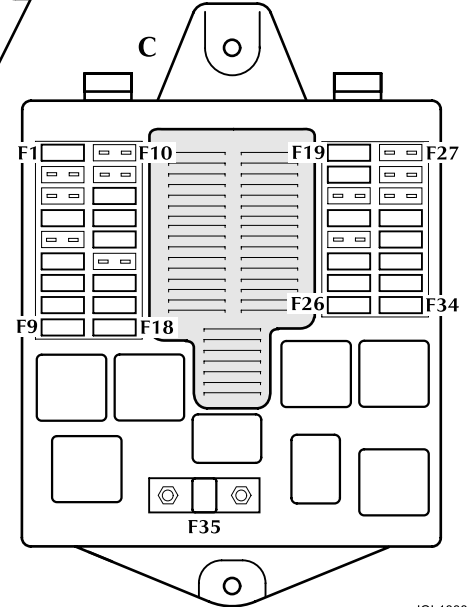
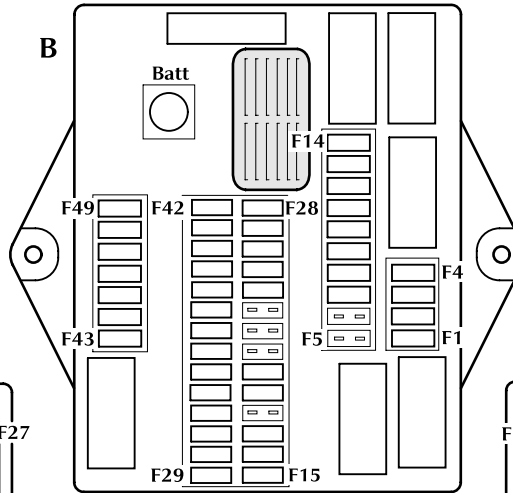
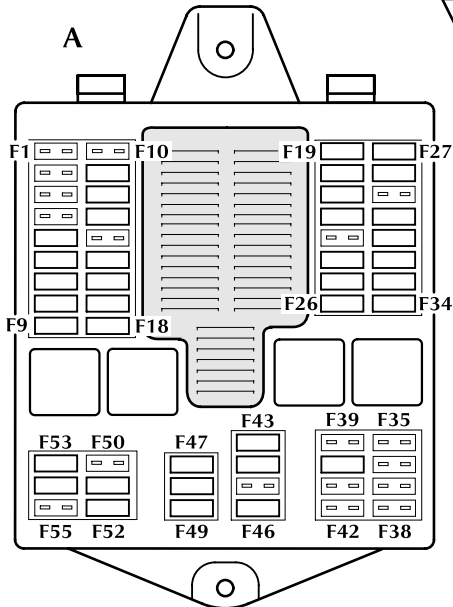
Replace the floor panel.

Fuse Positions

A – Trunk fuse box

B – Cabin fuse box

C – Engine compartment fuse box



6-24 Roadside Emergency

Engine compartment fuse box

| Fuse No | Fuse Type | Rating (amps) | Colour | Circuit |
|----------|-----------|---------------|--------|--|
| F1 | ATO | 10A | Red | Front ignition, UHEGO, fuel pump, rear ignition relay coils |
| F2 – F3 | | | | Not used |
| F4 | ATO | 30A | Green | Powerwash pump |
| F5 | | | | Not used |
| F6 | ATO | 40A | Orange | Air suspension compressor |
| F7 | ATO | 40A | Orange | Right-hand front screen heater or wiper park zone heater |
| F8 | ATO | 20A | Yellow | Right-hand dipped beam |
| F9 | ATO | 20A | Yellow | Left-hand dipped beam |
| F10, F11 | | | | Not used |
| F12 | ATO | 10A | Red | Engine control module |
| F13 | ATO | 10A | Red | Fuel injectors |
| F14 | ATO | 10A | Red | Purge valve, EGR valve, canister close valve (CCV), port deactivation, V6 intake manifold tuning valves (IMTV), MAFS, air filter solenoid, radiator fan controller |
| F15 | | | | Not used |
| F16 | ATO | 20A | Yellow | Right-hand main beam, left-hand main beam |
| F17 | ATO | 10A | Red | Engine control module, transmission control module |
| F18 | ATO | 15A | Blue | Front fog lights, instrument cluster front fog status |

Roadside Emergency 6-25

| Fuse No | Fuse Type | Rating (amps) | Colour | Circuit |
|-----------|-----------|---------------|---------|---|
| F19 | ATO | 25A | Natural | Starter solenoid |
| F20 | ATO | 30A | Green | ABS module (pump) |
| F21 | | | | Not used |
| F22 | ATO | 30A | Green | ABS module |
| F23 | | | | Not used |
| F24 | ATO | 20A | Yellow | Throttle motor |
| F25 | ATO | 15A | Blue | Horns |
| F26 | ATO | 40A | Orange | Wiper system, front electronics module (FEM) |
| F27 – F29 | | | | Not used |
| F30 | ATO | 10A | Red | Ignition coils |
| F31 | ATO | 15A | Blue | Intercooler water pump (supercharged engines) |
| F32 | ATO | 40A | Orange | Left-hand front screen heater |
| F33 | ATO | 30A | Green | 'A' bank heated oxygen sensors |
| F34 | ATO | 30A | Green | 'B' bank heated oxygen sensors |
| F35 | Midi | 80A | | Radiator cooling fan |

6-26 Roadside Emergency

Cabin fuse box

| Fuse No | Fuse Type | Rating (amps) | Colour | Circuit |
|---------|-----------|---------------|--------|---|
| F1 | ATO | 10A | Red | Climate control unit, fan, screen heaters and wiper relay coils, smog sensor |
| F2 | ATO | 5A | Tan | Radiator fan controller, cruise control switch, adaptive cruise control |
| F3 | ATO | 5A | Tan | Rear outer seat, electrochromic mirror, driver seat heater, electric parkbrake, left and right-hand HID lamps levelling, left and right-hand seat belt switches |
| F4 | ATO | 5A | Tan | Instrument cluster |
| F5 – F6 | | | | Not used |
| F7 | ATO | 5A | Tan | Cigar lighter, sunroof module, electric park brake switch illumination, accessory relays (trunk fuse box) |
| F8 | ATO | 5A | Tan | Instrument cluster |
| F9 | ATO | 10A | Red | Left-hand direction indicator and repeater |
| F10 | ATO | 5A | Tan | Glove compartment door motor and lamps |
| F11 | ATO | 5A | Tan | Radio muting (engine start), ignition feed |
| F12 | ATO | 10A | Red | Front electronic module (FEM), passenger mirror |
| F13 | ATO | 20A | Yellow | Rear electronic module (REM), door locks |
| F14 | ATO | 10A | Red | Courtesy light, footwell lamps, rain sensor, FEM |
| F15 | ATO | 5A | Tan | ECM, FEM, instrument cluster air bag fault lamp, instrument cluster ignition (run/start) |
| F16 | ATO | 5A | Tan | Diagnostic connector |

Roadside Emergency 6-27

| Fuse No | Fuse Type | Rating (amps) | Colour | Circuit |
|-----------|-----------|---------------|--------|--|
| F17 | ATO | 5A | Tan | ABS module |
| F18 | | | | Not used |
| F19 | ATO | 5A | Tan | Ignition relay, ECM, REM, fuel pump relay, start relay |
| F20 | ATO | 5A | Tan | Telephone transceiver, TV module, VICS (Japan), voice module, rear telematics |
| F21 – F23 | | | | Not used |
| F24 | ATO | 10A | Red | PATS transponder |
| F25 | ATO | 10A | Red | Right-hand direction indicator and repeater, right-hand front lamp, header console map lamp |
| F26 | ATO | 15A | Blue | Screenwash pump |
| F27 | ATO | 10A | Red | ACC module |
| F28 | ATO | 10A | Red | Climate control modules (front and rear), driver's door module (DDM) |
| F29 | ATO | 10A | Red | Air bag module, occupancy sensing module, passenger weight sensor |
| F30 | ATO | 10A | Red | Voice, front/rear sound, DVD, telematics, TV |
| F31 | ATO | 15A | Blue | Sunroof |
| F32 | ATO | 5A | Tan | Front/rear parking aid, trailer tow module, battery backed sounder, voice module, telephone receiver |
| F33 | ATO | 5A | Tan | Transmission control, J-gate, generator |
| F34 | ATO | 5A | Tan | Navigation system |

6-28 Roadside Emergency

| Fuse No | Fuse Type | Rating (amps) | Colour | Circuit |
|---------|-----------|---------------|---------|--|
| F35 | ATO | 10A | Red | Left-hand seat movement |
| F36 | ATO | 40A | Orange | Left-hand seat movement |
| F37 | ATO | 25A | Natural | Driver window |
| F38 | ATO | 15A | Blue | Radio head unit |
| F39 | ATO | 5A | Tan | Transit relay (removed before customer delivery) |
| F40 | ATO | 10A | Red | Security LED, yaw rate sensor |
| F41 | ATO | 20A | Yellow | Ignition switch |
| F42 | ATO | 10A | Red | FEM, REM, DDM, clock |
| F43 | ATO | 5A | Tan | Diagnostic connector |
| F44 | ATO | 5A | Tan | Brake switch |
| F45 | ATO | 10A | Red | Right-hand seat movement |
| F46 | ATO | 25A | Natural | Passenger window |
| F47 | ATO | 5A | Tan | Instrument pack |
| F48 | ATO | 20A | Yellow | Instrument pack (steering column tilt and reach) |
| F49 | ATO | 40A | Orange | Left-hand seat movement |

Trunk fuse box

| Fuse No | Fuse Type | Rating (amps) | Colour | Circuit |
|---------|-----------|---------------|---------|--|
| F1 – F4 | | | | Not used |
| F5 | ATO | 40A | Orange | Right-hand front seat |
| F6 | ATO | 10A | Red | Accessory connector |
| F7 | ATO | 40A | Orange | Front blower motor |
| F8 | ATO | 10A | Red | Heater circuit water pump |
| F9 | ATO | 25A | Natural | Rear seat motors |
| F10 | | | | Not used |
| F11 | ATO | 5A | Tan | Rear footwell lamps, grab handle lamps |
| F12 | ATO | 10A | Red | Air suspension |
| F13 | ATO | 20A | Yellow | REM, rear seat heaters |
| F14 | | | | Not used |
| F15 | ATO | 5A | Tan | Right-hand rear light cluster |
| F16 | ATO | 10A | Red | Trunk lights, driver seat switch pack, rear switch seat pack |
| F17 | ATO | 10A | Red | Left-hand rear fog and reversing lamps |
| F18 | ATO | 10A | Red | Number plate lamps, side marker lamps |
| F19 | ATO | 30A | Green | Heated rear window |

6-30 Roadside Emergency

| Fuse No | Fuse Type | Rating (amps) | Colour | Circuit |
|-----------|-----------|---------------|---------|--|
| F20 | ATO | 10A | Red | Heated door mirrors |
| F21 | ATO | 25A | Natural | Rear seat motors |
| F22 | ATO | 10A | Red | Accessory connector |
| F23 | | | | Not used |
| F24 | ATO | 20A | Yellow | Fuel pump driver module |
| F25 | ATO | 15A | Blue | Front accessory socket |
| F26 | ATO | 15A | Blue | Rear accessory socket |
| F27 | ATO | 10A | Red | Rear CD |
| F28 | ATO | 25A | Natural | Left-hand rear window |
| F29 | | | | Not used |
| F30 | ATO | 10A | Red | Generator, battery backed sounder, transit relay |
| F31 | ATO | 40A | Orange | Right-hand front seat |
| F32 | ATO | 30A | Green | Electric park brake actuator |
| F33 | ATO | 20A | Yellow | Rear electronic module (fuel pump) |
| F34 | ATO | 30A | Green | Power amplifier |
| F35 – F39 | | | | Not used |
| F40 | ATO | 25A | Natural | Right-hand rear window |

Roadside Emergency 6-31

| Fuse No | Fuse Type | Rating (amps) | Colour | Circuit |
|----------|-----------|---------------|--------|--|
| F41, F42 | | | | Not used |
| F43 | ATO | 15A | Blue | Rear cigar lighter |
| F44 | ATO | 15A | Blue | Front cigar lighter |
| F45 | | | | Not used |
| F46 | ATO | 10A | Red | Right-hand rear reverse and fog lights |
| F47 | ATO | 20A | Yellow | FEM, front seat heater |
| F48 | ATO | 5A | Tan | High mounted stop lamps |
| F49 | ATO | 5A | Tan | Left-hand rear light cluster |
| F50 | | | | Not used |
| F51 | ATO | 10A | Red | Navigation system |
| F52 | ATO | 20A | Yellow | Air suspension |
| F53 | ATO | 20A | Yellow | Rear fan motor |
| F54 | ATO | 15A | Blue | Heated steering wheel |
| F55 | | | | Not used |



JAGUAR

| | |
|--|------|
| Regular Checks | 7-3 |
| Hood Release | 7-4 |
| Checking and Top Up | 7-6 |
| Check Engine Oil Level | 7-6 |
| Check Power Steering Fluid Level | 7-8 |
| Check Brake Fluid Reservoir | 7-9 |
| Check Windscreen/Headlight Washer Reservoir | 7-10 |
| Check Coolant Level | 7-11 |
| Capacities | 7-12 |
| Battery | 7-13 |
| Battery Warning Signs | 7-14 |
| Check/Top Up Battery Electrolyte | 7-15 |
| Windscreen Wipers | 7-17 |
| Tyres | 7-18 |
| Tyre Pressures | 7-18 |
| Vehicle Care | 7-22 |
| Interior Care | 7-22 |
| Exterior Care | 7-23 |
| Electrical Accessories | 7-25 |





JAGUAR

Regular Checks

In the interests of safety and reliability, it is advisable to carry out the following checks at the recommended intervals, and always before starting on a long journey.

Daily

Check that there is sufficient fuel for the journey intended, particularly at night and before joining motorways.

Weekly

Tyres – Check the tyres, including the spare, for condition and pressure.

Tyre pressures are explained on page 8-8 and shown on a label inside the fuel filler flap.

Lights – Check that all exterior lights and direction indicators function correctly and that the lenses are clean.

Engine oil – With the vehicle standing on level ground, check the oil level and top up if necessary with oil of the correct grade.

Engine coolant – With the engine cold, check the level of the coolant in the coolant reservoir header tank. Any loss of fluid must be checked by a Jaguar Retailer.

Brake fluid – Check the level of the fluid in the brake fluid reservoir. Top up if necessary with new, unused Jaguar approved brake fluid.

The reservoir is initially nearly full, but the level will drop as the brake pads wear. If the level appears unusually low, location of the fluid leakage must be checked by a Jaguar Retailer.

Power steering fluid – With the engine cold, check the level of the fluid in the power steering fluid reservoir. Top up if necessary with fluid of the correct specification. Any loss of fluid should be checked by a Jaguar Retailer.

Windscreen washer fluid – Top up with windscreen washer fluid and clean soft water. Check the operation of the washers. It is recommended that you use Jaguar Windscreen Washer Fluid to keep the glass clean and also to prevent the fluid from freezing during cold weather.

Monthly

Wiper blades – Check the quality of the wipe. If smearing or juddering is evident, clean the windscreen and wiper blades.

Used Engine Oil



WARNING:

Prolonged and repeated contact may cause serious skin disorders, including dermatitis and cancer.

Always use a hand cream to protect the skin from oil contamination.

Avoid contact with the skin as far as possible and wash thoroughly after any contact. Keep oils out of reach of children.

PROTECT THE ENVIRONMENT: It is illegal to pollute drains, watercourses and soil. Use authorised waste collection facilities, including civic amenity sites and garages providing facilities for the disposal of used oil, oil filters and batteries. If in doubt, contact your Local Authority for advice on disposal.

7-4 Maintenance

Hood Release



WARNING:

Take care to keep away from rotating components if the engine is running when you open the hood.

Release the hood lock by pulling the lever below the fascia on the left-hand side of the vehicle.

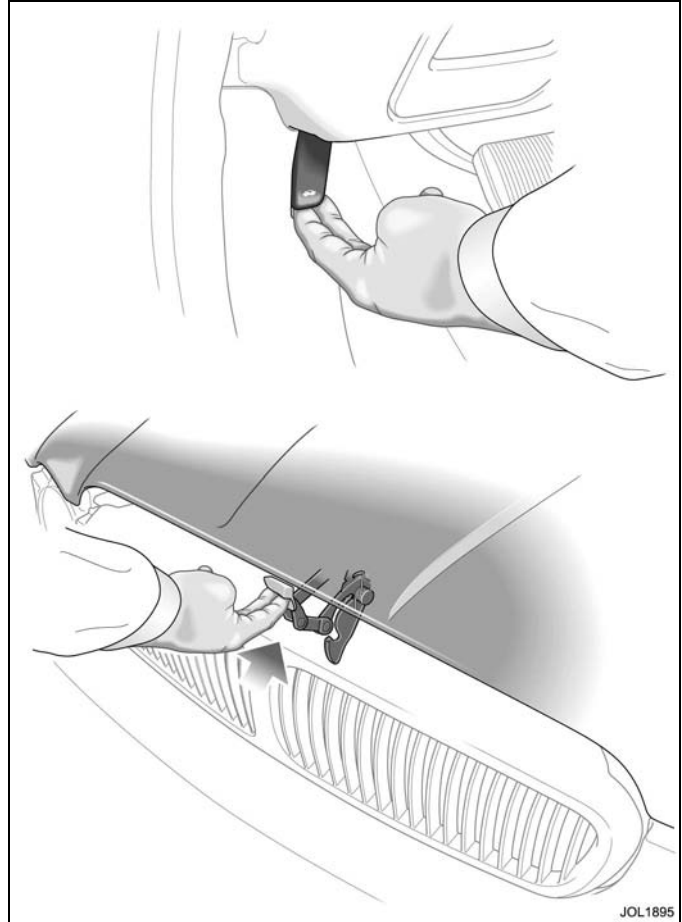
Lift the hood slightly and push the safety catch, located under the centre of the front edge of the hood. The gas filled struts will assist raising the hood, and retain it in the fully open position.



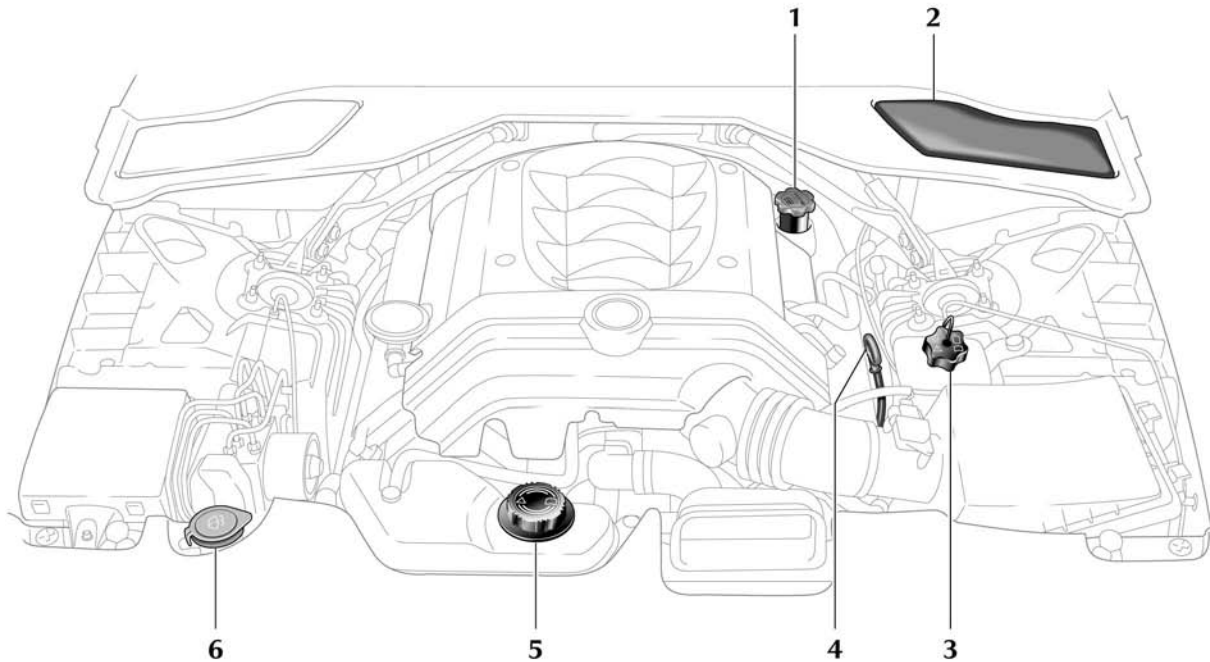
WARNING:

Before closing the hood ensure that no-one is obstructing the closing area and that hands and clothes are clear. Remove tools, cleaning cloths, etc., from the engine compartment.

Close the hood to within a distance of 12 to 14 inches (30 to 35 cm) of the fully closed position, then let go to allow the hood to shut. Check by pulling the hood that both the right-hand and left-hand latches are engaged.



Reservoir and Dipstick Locations V8 Engine



- | | |
|---|------------------------------|
| 1. Engine oil filler | 4. Engine oil dipstick |
| 2. Brake reservoir (concealed by cover) | 5. Coolant reservoir |
| 3. Power steering reservoir | 6. Windscreen wash reservoir |

7-6 Maintenance

Checking and Top Up

Check Engine Oil Level

Check the oil level regularly with the vehicle on flat, level ground.

Refer to page 7-5 for dipstick and oil filler locations.

It is preferable to check the oil level after the vehicle has been standing, that is, with the engine completely cold.

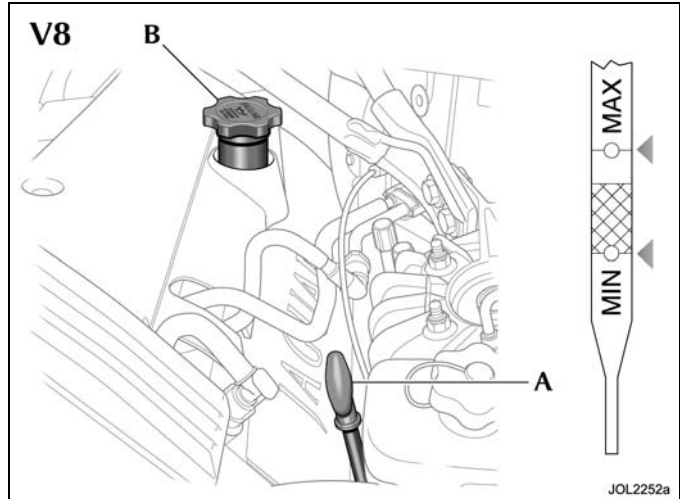
If the engine has been started do not check the oil level until the engine has reached normal operating temperature. Stop the engine and wait for a minimum of 5 minutes to allow the oil to drain back into the sump.

Remove the dipstick (A) and wipe clean with a non-fluffy cloth. Replace fully, then withdraw the dipstick. If the oil level is above the lower of the two dots on the dipstick then no additional oil is required.

If the oil level reaches the lower of the two dots, remove the oil filler cap (B) and add oil, to the quantity and specification shown on the next page.

Refit the filler cap and hand tighten securely.

Caution: Do not use oil additives of any type. Use only specified lubricants.



Recommended Engine Oil

When the oil level is at the lower dipstick mark, add 1 US quart (1.0 litre) of oil.

Jaguar recommends



Oil specification – API SJ/EC and ILSAC GF-3

When topping up between oil changes, make sure that you use oil that has the correct quality level (API service) and viscosity grade. Your vehicle's warranty may be invalidated if damage is caused by use of improper engine oil.

For maximum fuel economy, 5W-30 oil is recommended.

SAE viscosity rating

For climates ranging from -22°F (-30°C) and $+122^{\circ}\text{F}$ ($+50^{\circ}\text{C}$), the following oil viscosities may be used:

0W-30

5W-30 (preferred)

0W-40

5W-40

Note: It is recommended that the oil level is topped up using oil of the same viscosity. If you are unsure which oil viscosity is used in your car, your Jaguar Retailer will be able to advise.

If you are operating this vehicle in climates outside the above temperature range, contact your Jaguar Retailer for advice.

7-8 Maintenance



Check Power Steering Fluid Level

Caution: It is imperative that the power steering system does not become contaminated in any way. Always dispense fluid from a fresh sealed container and clean the area around the reservoir neck both before and after topping up. Never return drained fluid to the system.

Refer to page 7-5 for power steering fluid reservoir location.

Check the fluid level when the engine is 'COLD' and the vehicle is on a flat, level surface.

The fluid is visible through the translucent casing of the reservoir. Check that the fluid level is between the MIN and MAX marks on the side of the reservoir.

If necessary, top up with power steering fluid as specified by your Jaguar Retailer. Wipe clean and remove the filler cap from the reservoir; take great care to prevent any foreign matter from entering. DO NOT OVERFILL.

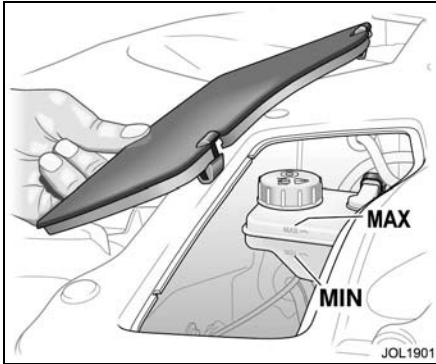
Refit the filler cap.

Should the level be very low, report the loss of fluid to the nearest Jaguar Retailer.



WARNING:

1. Do not allow power steering fluid to make contact with skin or eyes. If this happens, rinse the affected area immediately with plenty of water.
2. Power steering fluid is toxic and flammable. Be sure to observe all warnings indicated on the power steering fluid container.



Check Brake Fluid Reservoir

Refer to page 7-5 for brake fluid reservoir location. The brake fluid reservoir is concealed by a lift-out cover.

To remove the lift-out cover, pull the two clips on the rear edge of the cover towards the front of the car, and lift the cover out.

Caution:

1. **While handling brake fluid, take extreme care; brake fluid must not contact the vehicle paintwork.**
2. **Always use fresh, clean fluid from a new container. Never introduce used brake fluid into the system.**

The fluid is visible through the translucent casing of the reservoir and must be maintained at the 'MAX' mark.



WARNING:

The fluid level will drop as the brake pads wear. If the level is very low report the loss of fluid to the nearest Jaguar Retailer. Do not drive the vehicle until the cause is rectified.

If necessary, top up as follows:

Before removing the cap, clean the reservoir and cap thoroughly with a non-fluffy cloth to ensure that no foreign matter enters the reservoir.

Unscrew the filler cap and top up to the 'MAX' level using brake fluid to specification **Jaguar Super DOT 4 (ESA-M6C25-A)**.

Refit the filler cap securely.

To avoid contamination should any brake fluid be spilt, replace the cap on the reservoir before cleaning the spilt fluid from the vehicle.

Hydraulic fluid

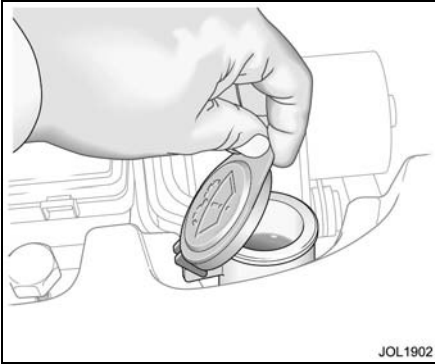
The brake hydraulic fluid in the master cylinder and brake operating system uses non-mineral polyglycol based brake fluid with a minimum standard of JAGUAR SUPER DOT 4. ONLY FLUID OF THIS TYPE AND STANDARD MAY BE USED.



WARNING:

1. **Contamination of the brake system fluid by as little as 1 per cent will cause rapid deterioration of the system seals. Ensure that the brake fluid reservoir cap is securely fitted.**
2. **Do not allow brake fluid to make contact with skin or eyes. If this happens, rinse the affected area immediately with plenty of water.**
3. **Brake fluid is toxic and flammable. Be sure to observe all warnings indicated on the brake fluid container.**

7-10 Maintenance



Check Windscreen/Headlight Washer Reservoir

Refer to page 7-5 for windscreen washer reservoir location.

The washer reservoir contains the fluid for the windscreen washers and the headlight powerwash system (where fitted).

Fill to just below the neck with Jaguar Windscreen Washer Fluid diluted with clean, preferably soft water as specified in the instructions on the bottle.

Do not overfill.

Note: Using a non-approved fluid may adversely affect the wiper blade rubber, resulting in ineffectual and noisy wiping.

Cold weather precautions

To prevent damage to the pump during freezing conditions, use Jaguar Windscreen Washer Fluid at the strength shown on the bottle, for the anticipated ambient temperature.



WARNING:

1. **Windscreen washer fluid is toxic and in concentrated form is flammable. Be sure to observe all warnings indicated on the washer solution container. Under no circumstances must cooling system anti-freeze be used, since this will damage the paintwork.**
2. **State or local regulations on volatile organic compounds may restrict the use of methanol, a common windscreen washer anti-freeze additive. Washer fluids containing non-methanol anti-freeze agents should be used only if they provide cold weather protection without damaging the vehicle's paint finish, wiper blades or washer system.**



Check Coolant Level

Refer to page 7-5 for coolant header tank location.

The coolant level MAX and MIN indicators are located inside the reservoir and are only visible when looking into the filler neck with the cap removed. Check the level only when the engine is cold.

The coolant level should be between the MAX and MIN indicators. If persistent coolant loss is noticed, have a Jaguar Retailer investigate the cause immediately.



WARNING:

Do not remove the coolant header tank filler/pressure cap while the engine is hot. If the cap must be removed, protect the hands against escaping steam and slowly turn the cap anti-clockwise until the steam starts to escape. Leave the cap in this position until the pressure is released, and then remove the cap.

Topping up



WARNING:

Do not allow anti-freeze to make contact with skin or eyes. If this happens, rinse the affected area immediately with plenty of water.

Caution: Anti-freeze will damage paintwork. Avoid spillage.

Top up with a mixture of 50% water and 50% anti-freeze until the coolant is between the MAX and MIN indicators inside the header tank. Use anti-freeze to specification WSS M97B44, coloured orange, Extended Life Coolant.

Refit the filler cap and hand-tighten securely until the ratchet operates.

Engine anti-freeze

When used at the correct concentration, anti-freeze not only protects the engine from frost damage in winter, it also provides all year round protection against internal corrosion.

The cooling system should always be topped up or refilled with the specified anti-freeze at the correct concentration.

This 50/50% mixture gives frost protection for temperatures down to -40°F (-40°C).

Do not mix any other anti-freeze with that specified; inferior quality anti-freeze may be ineffective in maintaining adequate frost and corrosion protection to the cooling system.

The coolant solution may remain in the cooling system for five years or 156,000 miles (250,000 km) after which the system should be drained, flushed and refilled.

Engine block heater

For further information consult your Jaguar Retailer.

Caution: The fitting of an engine block heater does not eliminate the need for anti-freeze under freezing conditions.

7-12 Maintenance

Capacities

| | US Quarts | Litres |
|--|-----------|--------|
| Engine oil: | | |
| – Normally aspirated V8 engines, including oil filter | 5.45 | 6.0 |
| – Supercharged V8 engines, including oil filter. | 6.2 | 6.8 |
| The rear axle (final drive unit) and automatic transmission unit (gearbox) will not normally require to be checked or topped up. | | |
| Windscreen washer reservoir: | | |
| – Without headlight power wash | 4.0 | 4.5 |
| – With headlight power wash. | 6.35 | 7.0 |

Battery

A low maintenance battery specifically designed for use with this vehicle is fitted below the luggage compartment floor.



WARNING:

California Proposition 65: Battery posts, terminals and related accessories, contain lead and lead compounds. Wash hands after handling.



WARNING:

1. The cell plugs and vent pipe must be in place at all times when the battery is in the vehicle. Failure to fit, or incorrect fitting of these items is potentially hazardous.
2. To avoid injury do not use an open flame or cause an electric spark when checking the battery. Hydrogen gas generated by the battery is flammable and may explode.

3. Do not connect any 12 volt equipment (for example a 12 volt lead lamp) directly to the battery terminals. Use the accessory sockets to temporarily connect Jaguar approved accessories.
4. Do not let battery acid electrolyte come into contact with skin or eyes. If you get any in your eyes or on your skin, immediately rinse with cold water and consult a doctor.

Caution:

1. Switch off the ignition before disconnecting battery terminals. Always disconnect the earth terminal first and reconnect last.
2. Do not let battery acid come into contact with painted surfaces or fabric.

The exterior of the battery should be occasionally wiped clean to remove any dirt or grease.

If a new battery is to be fitted, it must be the same type as the original.

The use of unapproved batteries is not recommended and could invalidate the vehicle warranty.

Note: The service life of the battery is dependent on its condition of charge. It must always be sufficiently charged for the battery to last an optimum length of time.

We recommend that the battery charge is checked frequently if the vehicle is used mostly for short distance trips, or if it is not used for long periods of time.

Battery/ignition isolator switches

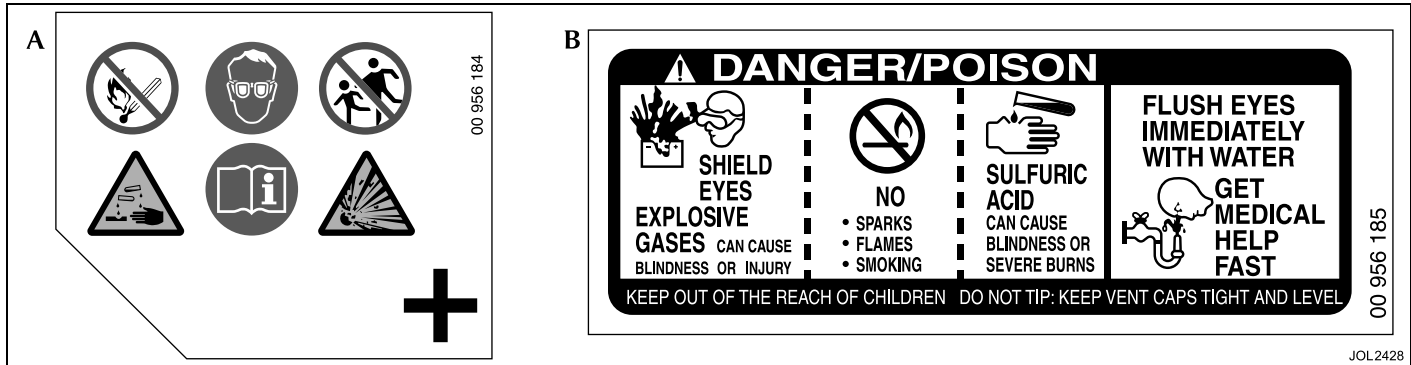
Non-approved battery isolator switches, which disconnect the power supply to all electrical circuits, are not recommended.

Generator

To prevent damage to the generator, do not run the engine while the battery or any of the charging circuit cables are disconnected.

The generator has polarity-sensitive components that may be irreparably damaged if subjected to incorrect polarity. Ensure that the battery earth lead is always connected to the battery negative terminal.

7-14 Maintenance



Battery Warning Signs

There are two labels on the battery (see illustration above) depicting a number of warning signs. The warning signs are as follows:

Label A



No smoking, no naked flames, no sparks (Red)



Keep away from children (Red)



Shield eyes (Blue)



Note operating instructions (Blue)



Battery acid (Yellow)



Explosive gas (Yellow)

Label B



DANGER/POISON



SHIELD EYES EXPLOSIVE GASES can cause blindness or injury



NO
 • SPARKS
 • FLAMES
 • SMOKING

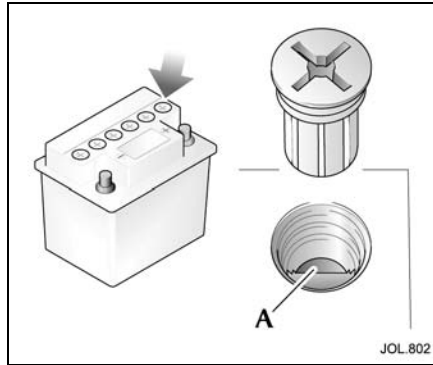


SULFURIC ACID can cause blindness or severe burns



FLUSH EYES IMMEDIATELY WITH WATER
GET MEDICAL HELP FAST

General warning on the label:
KEEP OUT OF THE REACH OF CHILDREN
DO NOT TIP
KEEP VENT CAPS TIGHT AND LEVEL



Check/Top Up Battery Electrolyte

In normal climates this must be carried out at least once a year. In hot weather/ climates the electrolyte level must be checked at least every three months.

Fold the luggage compartment floor panel forwards (see page 6-4).

Unscrew the six cell plugs. Check that the electrolyte is level with the plastic level indicator (A). If necessary, top up with distilled water but do not overfill.

If illumination is required, use a hand-held flashlight to inspect the electrolyte level.

Refit the six cell plugs and refit the battery cover.

Battery Charging



WARNING:

1. Batteries produce combustible gas (hydrogen) when being charged. The battery must be removed from the vehicle before charging commences.
2. Never charge or boost a frozen battery.

To disconnect the battery, refer to **Battery lead disconnection** on page 7-16.

When charging the battery ensure that the charge voltage is the same as the nominal voltage of the battery.

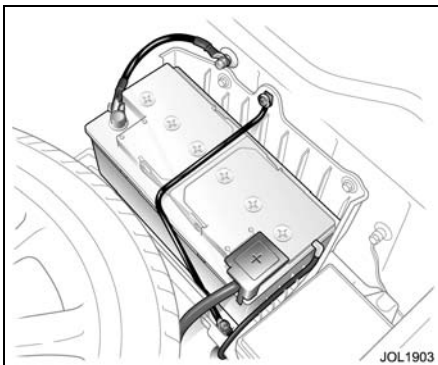
Switch off the charger before connecting or disconnecting terminal connections to avoid sparks and short circuits.

Ensure that the charger positive (+) lead is connected to the positive (+) terminal of the battery and the negative (-) lead is connected to the negative (-) terminal of the battery.

Do not remove or loosen any of the cell plugs when charging the battery.

Check and, if necessary, top up the electrolyte level when the battery is fully charged.

7-16 Maintenance



Battery lead disconnection

Caution:

1. Under no circumstances should a battery be disconnected whilst the ignition circuit is live, as permanent damage to the instrument cluster may occur.
2. Disconnect the negative lead (earth terminal) first.

Fold the luggage compartment floor panel forwards (see page 6-4).

Slacken the negative lead pinch bolt and disconnect the negative (-) battery lead. Slacken the positive lead pinch bolt and disconnect the positive (+) battery lead.

Battery lead connection

Note: Upon battery reconnection the security system will be armed. Opening any protected entry will sound the alarm. Make sure that a key or key transmitter is available.

Caution: Do not overtighten the pinch bolts.

Clean the battery posts and coat the post bases with petroleum jelly.

Connect the positive (+) lead, tighten the pinch bolt and clip the positive terminal cover on the battery. Connect the negative (-) lead and tighten the pinch bolt.

After the battery has been reconnected and the ignition switch is turned to position 'II', the message centre display, if fitted, will initially show an erroneous reading i.e. -----. This will remain until after the bulb check sequence, when the correct recorded mileage will be displayed. This is a normal function of the instrument cluster.

After battery reconnection

After reconnecting the battery:

- Reset the electric parkbrake; refer to **Parkbrake** on page 4-34.

- Reset the electrically operated windows anti-trap function; refer to **Window Anti-trap Protection** on page 4-30.
- The trip computer will lose all recorded trip data and all trip functions will be reset to zero. The vehicle total odometer reading is retained.
- If the battery is disconnected for more than 72 hours the radio preset channels will need to be reset.
- Where fitted, the TV preset channels may need to be reset. Refer to the Jaguar Touch-screen Handbook.
- Reset the clock to the correct time.

The engine electronic control system adapts to certain characteristics of the vehicle. These adaptations are lost if the battery is disconnected.

On reconnection, therefore, some slightly abnormal drive symptoms may occur and the vehicle may need to be driven 10 miles (16 kilometres) or more while the control system re-adapts.

Windscreen Wipers

Use Jaguar Screen Clean Paste to remove contamination from the windscreen to ensure effective wiping or if smearing or juddering becomes evident. A more aggressive cleaning agent may be required to remove stubborn contamination. Contact a Jaguar Retailer for advice.

To ensure that the windscreen remains smear-free, the washer system should be operated whenever the wipers are used, even when it is raining.

Windscreen Wiper Blades – Inspect and Clean

Lift the wiper blades clear of the windscreen and wipe the blades with a clean, soft cloth moistened with water to which a mild liquid detergent has been added.

Windscreen Washers

The windscreen washer jets are mounted on the wiper arms.

Note: The windscreen washer jets and headlight washer jets are not adjustable.

7-18 Maintenance

Tyres

Tyres of the correct type, manufacturer and dimensions, with correct cold inflation pressures are an integral part of every vehicle's design. Regular maintenance of tyres contributes not only to safety, but to the designed function of the vehicle. Road-holding, steering and braking are especially vulnerable to incorrectly pressurised, badly fitted or worn tyres.

Tyres of the correct size and type, but of different make have widely varying characteristics. It is therefore recommended that Jaguar approved tyres are fitted to all wheels.

A tyre recommendation placard is placed on the inside of the fuel filler flap, giving information specific to the vehicle's wheel and tyre equipment.

Always ensure that the wheel nuts are fully seated before finally tightening the nuts in alternate sequence.

W, Y and Z-rated performance tyres are optimised for driving dynamics and have limited winter traction ability. Compared with H-rated all-season tyres, they may incur increased tread wear, reduced ride comfort, and increased road noise.

Tyre Renewal

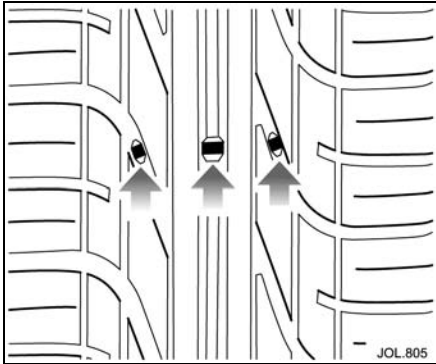
When renewing tyres, it is preferable to fit a complete vehicle set. If either front or rear tyres only need to be renewed, new tyres must be fitted, as axle sets, to replace worn ones. After new tyres have been fitted the wheels need to be dynamically balanced. The radial ply tyres specified are designed to meet the high-speed performance capability of this vehicle (see page 8-7). Do not fit tyres with a different tread pattern, size or speed rating.

Tyre Pressures

The recommended tyre pressures are written on a label, inside the fuel filler flap. These tyre pressures provide optimum ride and handling characteristics for all normal operating conditions. The pressures should be checked, and correctly set each week with the tyres cold. Tyre temperatures and pressures increase when running. Deflating a warm tyre to the recommended pressure will result in under inflation which may be dangerous.

A slight natural pressure loss occurs with time. If this exceeds 2 lbf/in² (0.14 bar, 14 kPa, 0.14 kg/cm²) per week, the cause should be investigated and rectified.

Note: It is an offence in certain countries to drive a vehicle with tyres that are not inflated in accordance with the vehicle's proper use.



Wear

All tyres fitted as original equipment include tread wear indicators (TWI) in their tread pattern. When the tread has worn to a remaining depth of 1.6 mm the indicators appear at the surface as bars which connect the tread pattern across the full width of the tyre.

It is illegal, in certain countries, to continue to use tyres after the tread has worn to less than 1.6 mm over three quarters of the width and the entire circumference of the tyre.

It should be noted that the properties of many tyres alter progressively with wear. In particular the 'wet grip' and aquaplaning resistance are gradually but substantially reduced. Extra care and speed restriction should therefore be exercised on wet roads as the effective tread depth diminishes.

Incorrect wheel alignment will accelerate tyre wear. Fins on the inner or outer edges of the tread pattern are caused by excessive toe-in or toe-out respectively. As fins may also be caused by high cornering speeds or road camber, it is advantageous to have the cause detected by having the wheel alignment checked.

Tyre repair

It is recommended that damaged tyres are discarded and new tyres fitted. They must not be repaired in view of the high performance capability of the vehicle.

Damage

Excessive local distortion can cause the casing of a tyre to fracture and may lead to premature failure. Tyres should be examined especially for cracked walls, exposed cords, etc. Flints and other sharp objects must be removed from the tyre tread; if left in they may work through the cover. Clean off any oil or grease contamination by using a suitable cleaner.

Caution: Do not use paraffin (kerosene), because this has a detrimental effect on rubber.

Tyre use after vehicle storage

After a long period of a vehicle standing, tyres may become locally distorted with a flat area. This will cause an uneven ride for a few miles until the tyres have warmed up and the 'flat' rounds off.

However, to reduce the effects of flat-spots, the tyres of a stored vehicle may be inflated to pressures not exceeding 60 lbf/in² (4.2 bar, 420 kPa, 4.3 kg/cm²).

7-20 Maintenance

United States Department of Transportation/Uniform Tyre Quality Grades

The following information relates to the tyre grading system developed by the National Highway Traffic Safety Administration which will grade tyres by tread wear, traction and temperature performance.

Tread wear

The tread wear grade is a comparative rating based on the wear rate of the tyre when tested under controlled conditions on a specified government test course. For example, a tyre graded 150 would wear one and a half (1.5) times as well on the government course as a tyre graded 100.

The relative performance of tyres depends upon the actual conditions of their use, however, and may depart significantly from the norm due to variations in driving habits, service practices and differences in road characteristics and climate.

Traction – A, B, C

The traction grades, from the highest to the lowest are ‘A’, ‘B’ and ‘C’, and they represent the tyre’s ability to stop on wet pavements as measured under controlled conditions on specified government test surfaces of asphalt and concrete. A tyre marked ‘C’ may have poor traction performance.



WARNING:

The traction grade assigned to this tyre is based on braking (straight ahead) traction tests and does not include cornering (turning) traction.

Temperature – A, B, C

The temperature grades ‘A’ (the highest), ‘B’ and ‘C’ representing the tyre’s resistance to the generation of heat and its ability to dissipate heat when tested under controlled conditions on a specified indoor laboratory test wheel. Sustained high temperature can cause the material of the tyre to degenerate and reduce tyre life, and excessive temperature can lead to sudden tyre failure.

The grade ‘C’ corresponds to a level of performance which all passenger car tyres must meet under the Federal Motor Vehicle Safety Standard No. 109.

Grades ‘B’ and ‘A’ represent higher levels of performance on the laboratory test wheel than the minimum required by law.



WARNING:

The temperature grade for this tyre is established for a tyre that is properly inflated and not over loaded. Excessive speed, under-inflation or excessive loading, either separately or in combination, can cause heat build-up and possible tyre failure.

Winter (Snow) Tyres

The tyres fitted as original equipment are designed with a rubber compound, tread pattern and width specially suited for high speeds in normal road conditions, but they are less suitable during extremes of low temperatures, snow and ice. The use of winter tyres will considerably improve the vehicle's handling during these conditions.

It is recommended that only Jaguar approved winter tyres are used (refer to **Wheels and Tyres** on page 8-7).



WARNING:

Do not exceed the tyre speed rating when using winter tyres.

Tyre directional indicators must be rotating in a clockwise direction when viewed from the right-hand side of the vehicle, and anti-clockwise when viewed from the left-hand side of the vehicle.

Winter tyres must be used in vehicle sets, that is, fitted on all four wheels.

Snow Chains

Snow chains, of the recommended type, may only be fitted to rear wheels.

Contact your Jaguar Retailer for details and availability of approved snow chains.

The maximum speed when using snow chains is 30 mph (48 km/h).

Remove the snow chains immediately the roads are clear of snow.

Ensure the fitting instructions supplied with the snow chains are kept in a safe place, for example, with this literature pack.

Note: Dynamic Stability Control **MUST** be switched **OFF** when using snow chains.

7-22 Maintenance

Vehicle Care

Valet kit

A valet kit containing a selection of Car Care products is available from the Jaguar accessory range.

Interior Care

Brush and clean the interior regularly. Use a vacuum cleaner where possible to remove all dust from the interior and trim.

Carpets

Marks or stains can be removed by gentle scrubbing with a weak solution of soap and warm water.

For more stubborn stains a commercially available carpet cleaner should be used. See your Jaguar Retailer for advice.

Headlining

Remove dust in the headlining with a vacuum cleaner. To remove stains, dab gently without pressing, using a fluff-free white cloth, moistened with Jaguar Upholstery Cleaner.

Do not use methylated spirit or solvents as this may cause damage or discoloration to the headlining.

Leather upholstery

Dust and dirt can penetrate the pores and creases of leather, causing surface wear and brittleness. To prevent ingrained dirt, inspect the seat upholstery regularly and clean every one to two months as follows:

- Wipe the seat surfaces with a clean, damp, non-coloured cloth, changing frequently to a clean area of cloth. Avoid over-wetting.
- If this is not sufficient, use a cloth which has been dampened with warm soapy water and then wrung out; avoid over-wetting. Use only mild non-caustic soap.
- Use Jaguar Leather Cleaner for heavily soiled areas.
- Dry off and rub with a clean soft cloth, changing surfaces regularly.

When staining (e.g. from clothing) or spillages occur, clean the affected area immediately as described above.

Note: Do not use solvents such as petrol (gasoline), white spirit or alcohol. Do not use detergents, furniture polish or household cleaners. Although such treatments may give, initially, an impressive appearance, their use will lead to rapid damage or deterioration of the leather, and will not be covered by the Manufacturer's Warranty. Unless spillages such as tea, coffee or ink are washed away immediately, permanent staining may have to be accepted.

If a valeting service is used, ensure that the specialist firm concerned is aware of these instructions, and they follow them precisely.

Exterior Care

Note: All the cleaning materials mentioned in this section are available from the Jaguar Accessory Range.

Washing

For best results, do not wash the vehicle under strong sunlight. Always allow the vehicle to cool down before washing.

Do not use a dry cloth to wipe dirty paintwork. Dust and gritty substances are abrasive and will scratch the paintwork. Remove dirt using a cellulose sponge and plenty of warm (never hot) water. Rinse off with clean water and dry using a clean, damp chamois leather.

Do not use household soaps or detergents. The use of Jaguar Vehicle Shampoo is recommended.

Do not direct hoses at full force around door and luggage compartment seals. Using high pressure water jets on the paintwork is not recommended.

Do not allow bird droppings or tree sap to harden. Remove from paintwork immediately with a lukewarm soap and water solution.

In winter, when salt is used on the roads, wash the vehicle frequently, and immediately after encountering such conditions. Clean undersides and wheel arches using a high pressure jet.

Automatic car wash

Note: Regular use of automatic car washes tends to dull the lustre of the paintwork.

After leaving the car wash, switch on the windscreen wipers immediately to remove water and prevent a build up of wax. Jaguar Screen Clean Paste can be used to clean any residual wax from the glass.

Caution: Ensure the rain sensitive windscreen wipers are switched OFF before entering an automatic car wash, to prevent damage to the wiper blades/arms.

Removing grease or tar

Remove grease or tar with Jaguar Tar Remover or methylated spirit (alcohol). White spirit is also effective, but must not be applied to rubber, particularly the windscreen wiper blades.

Glass surfaces

To avoid scratching glass surfaces, do not clean dirty glass with dry paper or cloth. Use clean, warm water and a chamois leather which is reserved for glass only.

The following products will ensure glass surfaces and windscreen wipers are kept in good condition:

Jaguar Screen Clean Paste – Apply to the exterior of the windscreen only to ensure effective operation of the windscreen wipers.

Jaguar Glass Cleaner – Interior and exterior of all other glass surfaces.

Jaguar Screen Wash – Washer reservoir additive.

Jaguar Winter Care Kit comprising de-icer, ice scraper, anti-mist wipe cloth and aerial cleaner – for use in adverse weather conditions.

Note:

1. Renew the wiper blades when worn to prevent scratching. Clean the rubber wiper blades regularly with a mild detergent solution.
2. It is advisable to clean the windscreen with Jaguar Screen Clean Paste at regular intervals.

7-24 Maintenance

Cleaning the rear screen

To avoid damaging the heating and radio elements when cleaning the inside of the rear screen use only a soft damp cloth or chamois leather. Do not use solvents or sharp objects to clean the glass.

Polishing paintwork and brightwork

For maximum protection against road dust, salts, industrial fall-out etc., it is recommended that the vehicle is polished regularly using Jaguar Polish and a Polishing Cloth.

Note: The vehicle's brightwork should be cleaned in the same way as the paintwork: Chrome polish or other abrasive cleaners must not be used.

Paint chips

Scratches and chips should be touched in before weathering action begins. Inspect the paintwork immediately after the vehicle has been washed.

Underhood cleaning

Underhood cleaning using high pressure hoses or steam cleaners should be done by a Jaguar Retailer. Indiscriminate use of cleaning equipment could damage or contaminate the electronic control modules and fuse boxes.

Care of Alloy Road Wheels

The alloy road wheels are covered with a protective anti-corrosion coating. To prevent corrosion it is essential that this coating is not damaged.

When removing or fitting tyres always advise the tyre fitter to treat the alloy wheels with great care and to only use equipment with spigot or stud hole clamping. The equipment must not have any moving parts which contact the wheel, and tyre levers must not be used.

Wash the wheels with soap and water at two week intervals to avoid an accumulation of particles which could become embedded in the wheel surface. In salty conditions the wheels should be cleaned weekly.

Electrical Accessories



WARNING:

Alterations to the electrical system, including the fitting of accessories not designed for this Jaguar, will cause damage to the electrical circuits and systems. In some circumstances this could result in a malfunction or fire. All accessory work should be entrusted to a Jaguar Retailer.

Caution:

1. Under no circumstances must the power supply be obtained directly from either battery terminal.
2. The use of non-approved accessories can reduce the battery capacity and charge period to an unacceptable level, therefore, Jaguar cannot accept any liability for the fitment of any such item.

Earth Points

If an accessory needs to be connected to an earth point, consult a Jaguar Retailer.

Caution: Under no circumstances must holes be drilled in the bodywork to accept earth terminals.



JAGUAR

Specifications

| | |
|--|-----|
| Vehicle Data | 8-3 |
| Weights (Average/Approximate) | 8-4 |
| Roof-rack Capacity and Trailer Weights | 8-5 |
| Dimensions | 8-6 |
| Wheels and Tyres | 8-7 |
| Tyre Pressures | 8-8 |
| Tow-bar Fixing Points | 8-9 |





JAGUAR

Vehicle Data

| Engine | 4.2 litre naturally aspirated | 4.2 litre supercharged |
|-------------------------|---|---|
| Type | V8, dual overhead camshafts, 4 valves/cylinder | V8, dual overhead camshafts, 4 valves/cylinder |
| Capacity..... | 255 inch ³ (4196 cm ³) | 255 inch ³ (4196 cm ³) |
| Bore..... | 3.385 inch (86 mm) | 3.385 inch (86 mm) |
| Stroke | 3.555 inch (90.3 mm) | 3.555 inch (90.3 mm) |
| Compression ratio | 11.0:1 | 9.0:1 |

8-4 Specifications

Weights (Average/Approximate)

| | XJ8 | | VDP | | XJR | |
|--|------|------|------|------|------|------|
| | lbs | kg | lbs | kg | lbs | kg |
| Kerb weight, no options fitted | 3765 | 1710 | 3805 | 1725 | 3950 | 1790 |
| Front axle kerb weight | 1960 | 890 | 1975 | 895 | 2085 | 945 |
| Rear axle kerb weight | 1805 | 820 | 1830 | 830 | 1865 | 845 |
| Gross vehicle weight (G.V.W.) (Non-towing) | 4750 | 2155 | 4760 | 2160 | 4900 | 2225 |
| Gross vehicle weight (G.V.W.) (Towing) | 4970 | 2255 | 4980 | 2260 | 5125 | 2325 |
| Gross axle weight rating – Front | 2300 | 1045 | 2295 | 1040 | 2405 | 1090 |
| Gross axle weight rating – Rear | 2845 | 1290 | 2865 | 1300 | 2890 | 1310 |
| Gross combination weight | 8995 | 4080 | 9005 | 4085 | 9150 | 4150 |

Note:

1. Gross combination weight is G.V.W.R. (Non-towing) plus tow-bar plus trailer weight.
2. The Gross axle weight rating (maximum permitted axle rating) shown above must not be exceeded.

Roof-rack Capacity and Trailer Weights

| | lbs | kg |
|--|------|------|
| Roof-rack capacity including weight of rack | 165 | 75 |
| Maximum permitted luggage compartment load with four passengers and driver | 132 | 60 |
| Trailer weight: | | |
| Braked | 4180 | 1900 |
| Unbraked (maximum recommended). | 1650 | 750 |
| Trailer nose load | 168 | 76 |

Note: Loads greater than 132 lbs (60 kg) may be carried in the luggage compartment provided the maximum permissible axle weights shown on the Vehicle Identification Plate are not exceeded and that tyres are inflated to the ‘normal pressures’.

8-6 Specifications

Dimensions

| | inch | cm |
|--|-------|-------|
| Overall length | 200.4 | 509.0 |
| Overall width including mirrors | 82.9 | 210.8 |
| Overall width without mirrors | 73.2 | 186.0 |
| Overall height (at gross vehicle weight) | 57.0 | 144.8 |
| Wheelbase | 119.5 | 303.4 |
| Track: | | |
| Front | 61.2 | 155.6 |
| Rear | 60.9 | 154.6 |

Wheels and Tyres

The following chart details the tyres recommended for use in the countries listed below:

USA and Canada

| Tyre Size | Pattern |
|------------------|--------------------------------------|
| 235/55 R 17 99H | Pirelli P6 Four-seasons |
| 235/50 R 18 97H | Continental ContiTouringContact CH95 |
| 255/40 ZR 19 96Y | Pirelli P-Zero |
| 255/35 ZR 20 97Y | Michelin Pilot Sport |

Mexico see Column A below, **Dominican Republic** see Column B below:

| Tyre Size | Pattern | A | B |
|------------------|-----------------------|---|---|
| 235/50 ZR 18 97W | Pirelli P6000 Powergy | | ✓ |
| 255/40 ZR 19 96Y | Pirelli P-Zero | ✓ | ✓ |
| 255/35 ZR 20 97Y | Michelin Pilot Sport | ✓ | |

8-8 Specifications

Tyre Pressures

The tyre pressures recommended by Jaguar Cars to maintain optimum ride and handling characteristics for all normal operating conditions are shown on a label affixed to the inside of the fuel filler flap.

For your convenience you may wish to record the tyre pressures in the boxes provided below. If you are unsure of the correct pressures please contact your Jaguar Retailer.

| | Front | Rear |
|------------------|----------------------|----------------------|
| Normal Driving | <input type="text"/> | <input type="text"/> |
| Laden/High speed | <input type="text"/> | <input type="text"/> |

Tyres Not Approved by Jaguar



WARNING:

When using tyres other than those recommended by Jaguar do not exceed the speed capacity recommended by the manufacturer.

Tow-bar Fixing Points

The mounting points (A) require drilling for tow-bar mountings.

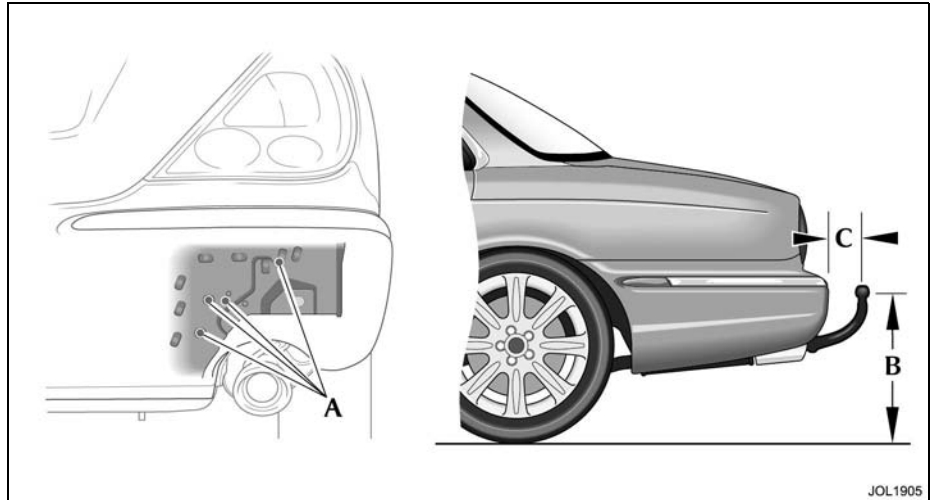
Tow-ball centre height from the ground at Gross Vehicle Weight (GVW):

(B) = 15.157 inches (38.5 cm).

Tow-ball centre distance from bumper cover:

(C) = 3 inches (7.6 cm).

Caution: Contact your Jaguar Retailer for details of additional parts that are advised to be fitted before towing. This is particularly important with this vehicle having air suspension. If unapproved towing equipment is used whilst towing, the air suspension speed lowering function will not be inhibited. This may result in a change in trailer weight distribution and attitude.





JAGUAR

| | | | |
|--|------|---|------|
| Adaptive cruise control | 4-51 | Bulb renewal | |
| Air conditioning | 5-3 | – front direction indicator | 6-15 |
| Alarms and audible signals | 2-15 | – front fog light | 6-17 |
| – audible signals | 2-15 | – front parking (side) light | 6-16 |
| – error signal | 2-16 | – headlight – dipped beam | 6-15 |
| – full alarm | 2-15 | – headlight – main beam | 6-16 |
| Alloy wheels – care of | 7-24 | – number plate light | 6-17 |
| Anti-freeze | 7-11 | – rear light assembly | 6-19 |
| Anti-lock braking system (ABS) | 4-47 | – side marker | 6-18 |
| Audible warnings | 4-10 | – side repeater indicator | 6-17 |
| Automatic car wash | 7-23 | – top access cover | 6-14 |
| Automatic climate control | 5-3 | Capacities | 7-12 |
| Automatic transmission | 4-43 | Carpets | 7-22 |
| Battery | 7-13 | Catalytic converters | 4-68 |
| – back-up sounder | 2-18 | Checks and top up | |
| – charging | 7-15 | – brake fluid | 7-9 |
| – electrolyte level – check/top up | 7-15 | – engine coolant | 7-11 |
| – lead connection/disconnection | 7-16 | – engine oil | 7-6 |
| – reconnection | 2-18 | – power steering fluid | 7-8 |
| Brake fluid level check | 7-9 | – washer fluid | 7-10 |
| Brakes | 4-47 | Child restraint tether anchorages | 3-29 |
| Brightwork – polishing | 7-24 | Child safety | 3-23 |
| | | – door locks | 2-14 |
| | | Chromework – polishing | 7-24 |
| | | Climate control | 5-3 |
| | | Clock adjustment | 3-32 |
| | | Coolant level – check/top up | 7-11 |
| | | Cruise (speed) control | 4-49 |

Index

| | | | |
|---|------|--|------|
| Dimmer switch | 4-25 | Fire extinguisher | 6-20 |
| Direction indicators | 4-26 | First aid kit | 4-61 |
| Door window operation | 4-29 | Floor mat retention | 1-10 |
| Dynamic stability control (DSC) | 4-46 | Foreign travel | 4-61 |
| Earth points | 7-25 | Front and rear park distance control | 4-36 |
| Electrical accessories | 7-25 | Fuel and refuelling | 4-63 |
| Electronic road toll systems | 3-9 | – catalytic converters | 4-68 |
| Emergency brake assist | 4-48 | – filler flap manual release | 4-66 |
| Emergency starting | | – fuel economy | 4-65 |
| – using jump leads | 6-4 | – level gauge | 4-3 |
| Engine | | – requirements | 4-64 |
| – anti-freeze | 7-11 | – tank capacity | 4-65 |
| – block heater | 7-11 | – tank filling | 4-63 |
| – coolant level check | 7-11 | – unleaded fuel | 4-66 |
| – oil level check | 7-6 | Fuses and fuse boxes | |
| – temperature | 4-4 | – cabin fuse box | 6-26 |
| Entry/exit mode | 3-7 | – checking and renewing a blown fuse | 6-21 |
| Exterior care | 7-23 | – engine compartment fuse box | 6-24 |
| Exterior lighting | 4-23 | – fuse box locations | 6-22 |
| | | – fuse positions | 6-23 |
| | | – trunk fuse box | 6-29 |

| | | | |
|--|------|---|------|
| Garage door opener transceiver | 2-20 | Ignition switch | 2-3 |
| – information and assistance | 2-23 | Illuminated entry/exit | 4-28 |
| – programming | 2-21 | Immobilisation system | |
| – rolling code programming | 2-22 | – programmable key | 2-7 |
| Gearshift interlock | 2-3 | – status light | 2-7 |
| General driving information | 4-59 | Inertia switch | 6-3 |
| General information | 1-3 | Instruments | 4-3 |
| Generator | 7-13 | – engine temperature | 4-4 |
| Glass surfaces – cleaning | 7-23 | – fuel level gauge | 4-3 |
| Glove compartment | 2-13 | – odometer | 4-3 |
| Grease or tar removal | 7-23 | – speedometer | 4-3 |
| | | – tachometer | 4-3 |
| Hazard warning | 4-27 | – warning lights | 4-5 |
| Head restraint adjustment | 3-4 | Interior care | 7-22 |
| Headlight powerwash | 4-32 | Interior features | 4-37 |
| Headlining – cleaning | 7-22 | – accessory power points | 4-37 |
| Heated steering wheel | 3-5 | – centre console | 4-38 |
| Hood release | 7-4 | – cigar lighter and ashtray | 4-37 |
| Horn | 4-40 | – cupholders | 4-38 |
| | | – rear armrest | 4-39 |
| | | – rear sunblind | 4-40 |
| | | – side sunblinds | 4-41 |
| | | – sun visors and vanity mirrors | 4-37 |
| | | – sunglasses stowage | 4-40 |
| | | Interior lighting | 4-27 |
| | | Interior rear view mirror | 3-9 |

Index

- Jaguar
 - diagnostic system 1-8
 - parts and accessories 1-4
- Key transmitter 2-4
- Keys 2-7
 - additional keys 2-7
 - black-headed key 2-7
 - green-headed valet key 2-7
 - integrated transmitter key 2-7
 - key number label 2-7
- Leather upholstery – cleaning 7-22
- Lights
 - approach lights 4-26
 - autolamps 4-23
 - battery saver 4-28
 - bulb failure 4-26
 - daylight running lights 4-24
 - door guard/puddle lights 4-26
 - exit delay 4-24
 - exterior lights 4-23
 - front fog lights 4-25
 - glove compartment 4-26
 - hazard warning 4-27
 - headlight convenience 4-24
 - interior lighting 4-27
 - luggage compartment lighting 4-26
 - rear fog lights 4-25
- Limp-home mode 4-45
- Locking and unlocking
 - auto-relocking 2-11
 - central locking switch 2-9
 - child safety locks 2-14
 - drive-away door locking 2-8
 - global closing 2-10
 - smart locking 2-9
 - two-stage unlocking 2-10
 - valet key 2-14
 - vehicle 2-8
- Luggage compartment 3-33
 - ski hatch 3-34
 - tie-down loops 3-33
 - underfloor access 6-4
- Luggage compartment emergency release 2-19
- Maintenance
 - regular checks 7-3
- Memory setting – driving positions 3-31
- Message centre 4-12
 - clearing messages 4-13
 - illumination 4-12
 - language selection 4-12
 - messages 4-16

| | | |
|--------------------------------------|------|--|
| Mirror | | |
| – door mirror heating | 3-8 | |
| – door mirror power foldback | 3-8 | |
| – electrochromic door mirrors | 3-8 | |
| – interior rear view | 3-9 | |
| – mirror dip when reversing | 3-8 | |
| Mobile/portable telephones | 1-9 | |
| Occupant protection | 3-11 | |
| – air bags | 3-14 | |
| – beltminder | 3-11 | |
| – driving position | 3-22 | |
| – front belt height adjustment | 3-11 | |
| – occupancy sensing | 3-17 | |
| – rear impact protection | 3-20 | |
| – seat belts | 3-11 | |
| – side protection | 3-19 | |
| Oil specification | 7-7 | |
| Paint chips | 7-24 | |
| Paint – polishing | 7-24 | |
| Panic alarm | 2-17 | |
| Park distance control | 4-35 | |
| Parkbrake | 4-34 | |
| Parking the vehicle | 4-60 | |
| Pedal adjustment | 3-6 | |
| Power steering fluid level check | 7-8 | |
| Powerwash system fluid level check | 7-10 | |
| Protect the environment | 1-9 | |
| Rain sensitive wiper control | 4-31 | |
| Rear park distance control | 4-35 | |
| Recommended engine oil | 7-7 | |
| Regular checks and top up | 7-3 | |
| – brake fluid | 7-9 | |
| – engine coolant | 7-11 | |
| – engine oil | 7-6 | |
| – power steering fluid | 7-8 | |
| – windscreen washer fluid | 7-10 | |
| Regular servicing | 1-8 | |
| Roof-rack | 4-61 | |
| – capacity | 8-5 | |
| Seat belt | | |
| – fitting | 3-12 | |
| – inertia reel mechanism check | 3-13 | |
| Seats | | |
| – adjustment | 3-3 | |
| – heaters | 3-5 | |
| Security and locks | | |
| – lock the vehicle and set the alarm | 2-8 | |
| – luggage compartment (trunk) | 2-12 | |
| Security features | | |
| – battery back-up sounder | 2-18 | |
| – battery reconnection | 2-18 | |
| – panic alarm | 2-17 | |
| Smog sensor | 5-9 | |
| Snow chains | 7-21 | |
| Speedometer | 4-3 | |

Index

- Sport mode 4-45
- Starting/stopping the vehicle 4-42
- Steam cleaning – underhood area 7-24
- Steering column adjustment 3-7
- Steering column lock 2-3
- Sunroof 4-33

- Tachometer 4-3
- Touring 4-61
- Towing a caravan or trailer 4-62
- Trailer weights 8-5
- Trip computer 4-13
- Tyres 7-18
 - damage 7-19
 - pressures 7-18, 8-8
 - renewal 7-18
 - repair 7-19
 - snow chains 7-21
 - wear 7-19
 - winter 7-21

- Underhood cleaning 7-24
- Unlock the vehicle and disarm the alarm using a key 2-11
- Unlock the vehicle and disarm the alarm using a key transmitter 2-10
- Used engine oil 7-3

- Vehicle
 - care 7-22
 - data 8-3
 - dimensions 8-6
 - engine number 1-6
 - global closing 2-10
 - identification 1-5
 - locking and unlocking 2-8
 - smart locking 2-9
 - weights 8-4
- Vehicle identification number (VIN) 1-5
- Vehicle recovery
 - towing eye 6-13
 - towing points 6-13
 - transporter tie-down procedure 6-12
 - transporting 6-11
 - vehicle failure 6-12
 - with defective transmission 6-11
- Vehicle suspension 4-58
 - speed lowering 4-58
 - warning messages 4-58

- Warning lights 4-5
 - lamp check 4-5
- Warning triangle 4-61
- Washing – vehicle 7-23

| | |
|---|------|
| Wheel changing and jacking | 6-6 |
| – locking wheel nuts | 6-7 |
| – spare wheel removal | 6-8 |
| – wheel changing procedure | 6-9 |
| Wheels and tyres | 8-7 |
| Window | |
| – anti-trap protection | 4-30 |
| – operation | 4-29 |
| – tinting | 1-9 |
| Window tinting | 1-9 |
| Windscreen | |
| – cleaning | 7-23 |
| – washer/powerwash fluid – check/top up | 7-10 |
| – wipers/washers – maintenance | 7-17 |
| Windscreen wipers/washers | 4-31 |
| Winter driving | 4-60 |
| Winter tyres | 7-21 |

JJM 18 02 21/40