

JAGUAR 6 CYL & 12 CYL SALOON RANGE (FROM (V)720125)

D04  
fiche 1

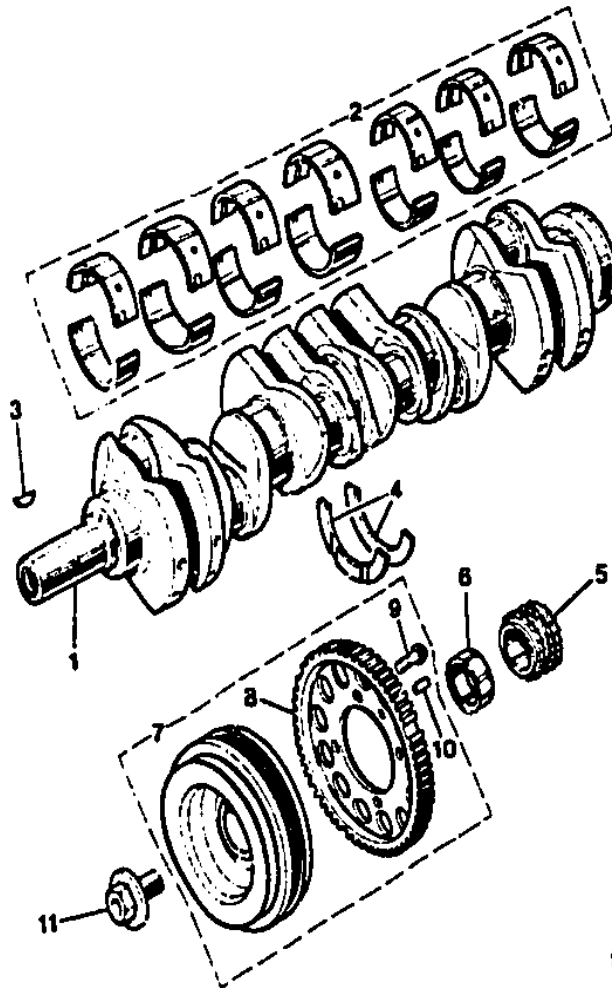
ENGINE

Illus Part Number 123456 Description Quantity Change Point Remarks

CRANKSHAFT AND MAIN BEARINGS-3.2/4.0 LITRE

1	EBC 10916	Crankshaft .....	1	.....	3.2 Litre
	EBC 10915	Crankshaft .....	1	.....	4.0 Litre
2	JLM 11136 01	Front intermediate and rear main bearing - case and cap - P-Pink .....	6		
	JLM 11136 02	Front intermediate and rear main bearing - case and cap - W-White .....	6		
	JLM 11136 03	Front intermediate and rear main bearing - case and cap - G-Green .....	6		
	JLM 11137 01	Main bearing - centre-P-Pink .....	1		
	JLM 11137 02	Main bearing - centre-W-White .....	1		
	JLM 11137 03	Main bearing - centre-G-Green .....	1		
3	CAM 1978 J	Key .....	2		
4	C 34697	Thrust washer .....	2		
	C 34697 1	Oversize thrust washer .....	2		
5	EAC 2456	Sprocket .....	1		
6	EAC 2464	Distance piece .....	1		
7	EBC 11491	DAMPER ASSEMBLY .....	1	.....	3.2 Litre,
8	EBC 9853	Timing ring - digital ignition .....	1	.....	4.0 Litre,
9	EAC 7291	Bolt - ring to damper .....	4	.....	Normally aspirated
10	PA 108121 J	Roll pin .....	1	.....	
7	NBD 14406A	DAMPER ASSEMBLY .....	1	.....	
	FB 108101 J	W/F bolt - pulley to damper .....	4	.....	
8	EBC 9853	Timing ring - digital ignition .....	1	.....	Supercharged
9	EAC 7291	Bolt - ring to damper .....	4	.....	
10	PA 108121 J	Roll pin .....	1	.....	
11	C 32367 1	Bolt - damper to crankshaft .....	1	.....	

B18GT25/07/94



SB4937

SB4937

MASTER INDEX

ENGINE .....	1.C
FLYWHEEL AND CLUTCH .....	1.C
GEARBOX AND PROPSHAFT .....	1.H
AXLES, SUSPENSION, DRIVE SHAFTS, WHEELS .....	1.K
STEERING .....	1.M
BRAKES AND BRAKE CONTROLS .....	1.N
FUEL, EXHAUST AND EMISSION SYSTEMS .....	2.C
COOLING, HEATING AND AIR CONDITIONING .....	2.F
ELECTRICAL, WASHERS-WIPERS, INSTRUMENTS .....	2.H
CHASSIS, SUBFRAMES, BODY SHELL, FITTINGS .....	3.C
FASCIA, TRIM, SEATS AND FIXINGS .....	3.G
ACCESSORIES AND PAINT .....	3.K
NUMERICAL INDEX .....	3.L

GROUP INDEX

ASYMMETRIC FAN ASSEMBLY-6.0 LITRE .....	1.F13
AUXILIARY SHAFT-3.2/4.0 LITRE .....	1.D13
CAMSHAFT AND TAPPET BLOCK-6.0 LITRE .....	1.E11
CAMSHAFT AND VALVES-3.2/4.0 LITRE .....	1.E09
CAMSHAFT COVER-3.2/4.0 LITRE .....	1.D12
CHAIN TENSIONER-UPPER-3.2/4.0 LITRE .....	1.D16
COMPRESSOR BELT TENSIONER-3.2/4.0 LITRE .....	1.E05
CRANKSHAFT AND MAIN BEARINGS-3.2/4.0 LITRE .....	1.D04
CRANKSHAFT-6.0 LITRE .....	1.D05
CYLINDER BLOCK ASSEMBLY-3.2/4.0 LITRE .....	1.C08
CYLINDER CLOCK TOP COVER-6.0 LITRE .....	1.C08
CYLINDER HEAD AND GASKET-3.2/4.0 LITRE .....	1.D09
CYLINDER HEAD AND VALVES-6.0 LITRE .....	1.D10
DRIVE BELTS-3.2/4.0 LITRE .....	1.E03
DRIVE BELTS-6.0 LITRE .....	1.E04
ENGINE ASSEMBLY-3.2/4.0 LITRE .....	1.C02
ENGINE ASSEMBLY-6.0 LITRE .....	1.C03
ENGINE COVER-6.0 LITRE .....	1.C09
ENGINE MOUNTING-FRONT-3.2/4.0 LITRE .....	1.C04
ENGINE MOUNTINGS-FRONT-6.0 LITRE .....	1.C05

EXHAUST MANIFOLD-3.2/4.0 LITRE .....	1.F06
EXHAUST MANIFOLD-6.0 LITRE .....	1.F07
GASKET SETS-3.2/4.0 LITRE .....	1.E15
GASKET SETS-6.0 LITRE .....	1.E17
IDLE SPEED CONTROL MANIFOLD/WATER RAIL .....	1.F09
IDLER PULLEY-COMPRESSOR AND STEERING-6 .....	1.E07
INDUCTION MANIFOLD-3.2/4.0 LITRE-NORMA .....	1.F03
INDUCTION MANIFOLD-6.0 LITRE .....	1.F05
INLET MANIFOLD-4.0 LITRE-SUPERCHARGED .....	1.F04
MAP SENSOR .....	1.F18
OIL COOLER AND PIPES-6.0 LITRE .....	1.D03
OIL COOLER-SUPERCHARGED-EUROPE .....	1.D02
OIL FEED PIPE-6.0 LITRE .....	1.C18
OIL FILTER-3.2/4.0 LITRE .....	1.C16
OIL FILTER-6.0 LITRE .....	1.C17
OIL PUMP AND CARRIER-3.2/4.0 LITRE .....	1.C13
OIL PUMP-6.0 LITRE .....	1.C14
OIL SUMP AND DIPSTICK-3.2/4.0 LITRE .....	1.C10
OIL SUMP-6.0 LITRE .....	1.C11
PISTON AND CONNECTING ROD-6.0 LITRE .....	1.D08
PISTON-3.2/4.0 LITRE .....	1.D06
SEAL KIT .....	1.F02

SUPERCHARGER AND MOUNTING BRACKET .....	1.F11
SUPERCHARGER BELT TENSIONER AND IDLER .....	1.E06
THERMOSTAT AND HOUSING-3.2/4.0 LITRE .....	1.F15
TIMING CHAIN AND AUXILIARY SHAFT-6.0 LITRE .....	1.D17
TIMING CHAIN-3.2/4.0 LITRE .....	1.D14
TIMING COVER-3.2/4.0 LITRE .....	1.D18
TIMING COVER-6.0 LITRE .....	1.E02
TRANSMISSION ADAPTOR-3.2/4.0 LITRE .....	1.F08
WATER INLET SPOUT AND BYPASS PIPE-6.0 .....	1.F12
WATER PUMP-3.2/4.0 LITRE .....	1.F16
WATER PUMP-6.0 LITRE .....	1.F17
WATER RAIL-3.2/4.0 LITRE .....	1.F14