

Front Suspension – Knocks –
New “V” Mount Introduced

MODEL 1995 MY
Sedan Range

VIN
720001 - 722757

ISSUE:

Knocks or rattles from the front suspension of 1995 MY Sedan Range vehicles within the above VIN range may be caused by the front suspension “V” mount spigot nuts contacting the front subframe (crossbeam). A new “V” mount with shorter spigot nuts was introduced in production at VIN 722758.

ACTION:

If a customer complains of a hard knock from the front suspension of a 1995 MY Sedan Range vehicle within the above VIN range when driving over a rough road surface, check for evidence of contact between the front suspension “V” mount spigot nuts and the front suspension subframe (Illustration 1). If contact is found, replace the existing front suspension “V” mounts with new “V” mounts (part number MNA 2360AD) as follows:

INSTALLING THE REVISED “V” MOUNTS

1. Position the vehicle on a lift and disconnect battery negative cable.
2. Remove two nuts from the front of the intake manifold. Reposition the ground lead away from the front mounting stud.

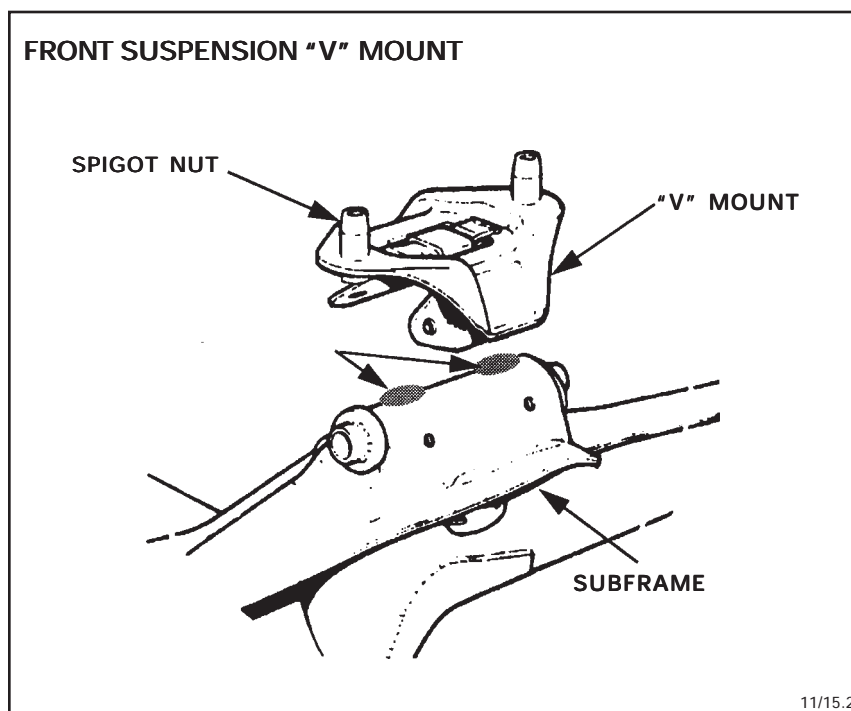
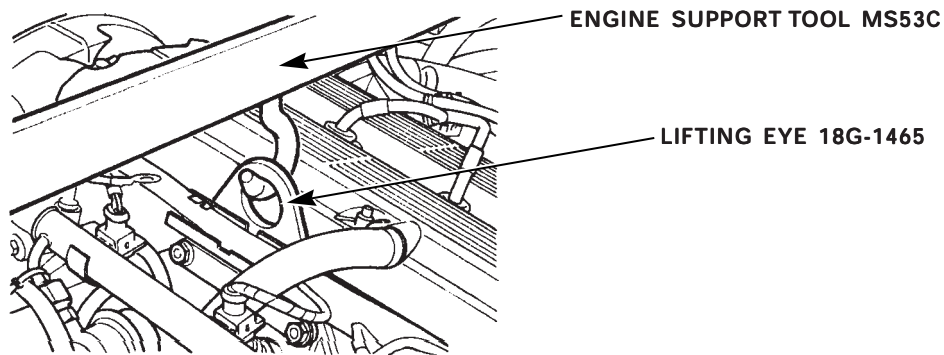


ILLUSTRATION 1

ENGINE SUPPORT TOOL MS53C (SHOWN ON AJ16)

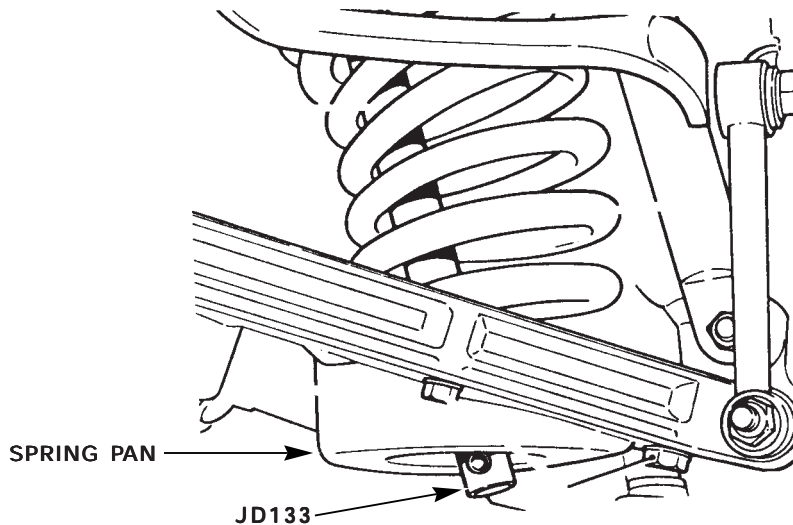


J76-765

ILLUSTRATION 2

3. On AJ16 engines, install the lifting eye (18G-1465) on the intake manifold studs.
4. On all engines, install and align the engine support tool (MS53C) and position the hook(s) in the lifting eye(s) (Illustration 2).
5. Raise the vehicle enough to insert the mid-laden tools (JD133) into the front spring pans (Illustration 3).
6. Lower the vehicle to settle the suspension. Seat the mid-laden tools into the suspension turrets and tighten the tool securing nut until the springs start to compress.

MID-LADEN TOOL JD133

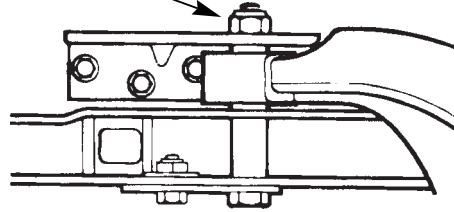


J60-073

ILLUSTRATION 3

SUBFRAME REAR MOUNTING NUT

SUBFRAME REAR MOUNTING NUT



J76-766

ILLUSTRATION 4

7. Raise the lift. Mark the hub to wheel relationship and remove the front wheels.
8. Loosen, but do not remove the suspension subframe rear mounting nuts (Illustration 4). Lower the lift.
9. Tighten the engine support hook to support the weight of the engine.
10. Remove the air mass meter on vehicles with AJ16 engines.
11. On all vehicles, remove the upper mounting nuts, washers, and bushings from the front shock absorbers. Remove the radiator header tank.
12. Remove the upper nuts from the engine mounts.
13. Support the vehicle with a floor jack under the suspension subframe.

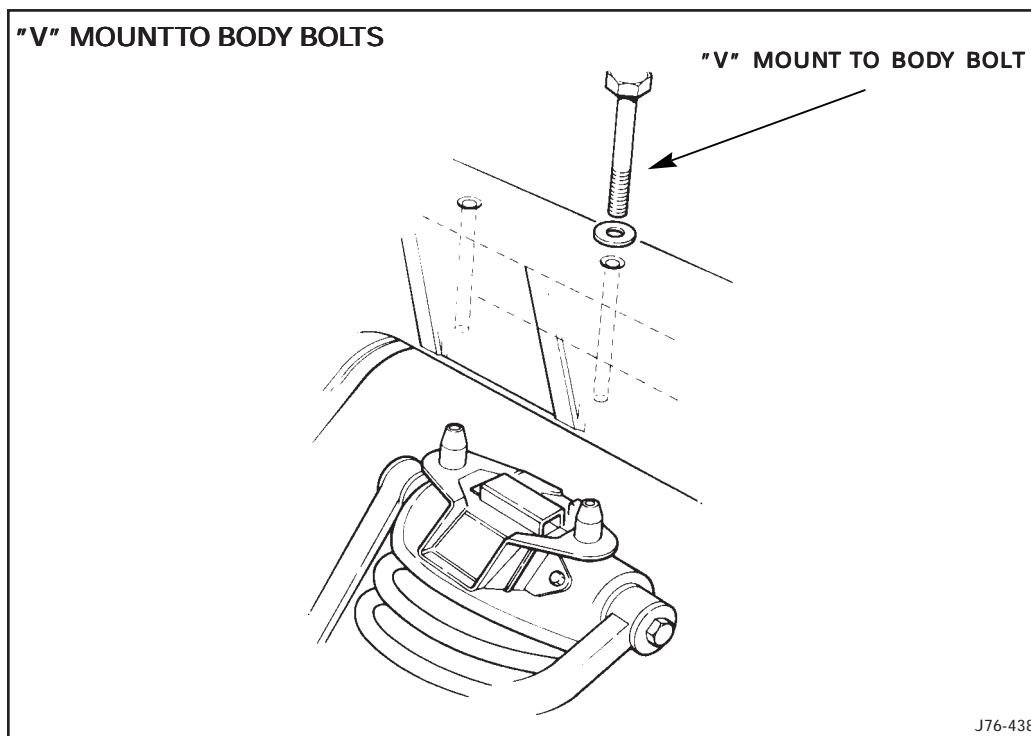


ILLUSTRATION 5

14. Remove the "V" mount bolts from inside the engine compartment.
15. Carefully lower the suspension subframe enough for the "V" mounts to clear the body (Illustration 5).
16. Remove the "V" mounts from the subframe.
17. Install the new "V" mounts on the subframe. Torque the bolts to 11.4 lb. ft. \pm 2.6 lb. ft. (15.5 Nm \pm 3.5 Nm).
18. Raise the subframe into position and ensure that the engine mounts seat in the brackets.
19. Install the "V" mount to body bolts. Torque the bolts to 18.4 lb. ft. \pm 2.2 lb. ft. (25 Nm \pm 3 Nm).
20. Position the shock absorbers into the mountings. Install the bushings, washers, and nuts.
21. Loosen the engine support tool.
22. Install the upper nuts on the engine mounts.
23. Remove the engine support tool and the lifting eye.
24. Position the ground lead on the manifold stud and install the manifold nuts.
25. Tighten the rear mounting nuts of the suspension subframe.
26. Reinstall the wheels and remove the floor jack. Lower the vehicle.
27. Remove the mid-laden tools from the suspension turrets.
28. Raise the vehicle and remove the mid-laden tools from the spring pans.

29. Lower the vehicle and reinstall the air mass meter on vehicles with AJ16 engines.
30. Road test vehicle to ensure that knocking sound complaint has been repaired.

PARTS INFORMATION:

<u>DESCRIPTION</u>	<u>PART NUMBER</u>	<u>QTY</u>
Front suspension "V" mount	MNA 2360AD	2

WARRANTY INFORMATION:

<u>FAULT CODE</u>	<u>R.O. NUMBER</u>	<u>DESCRIPTION</u>	<u>TIME ALLOWANCE</u>
GF BK GX (left)	60.35.24	Front "V" mount - one side - replace	1.35 hrs.
GF BL GX (right)			
GF BK GX	60.35.25	Front "V" mount - vehicle set - replace	1.45 hrs.