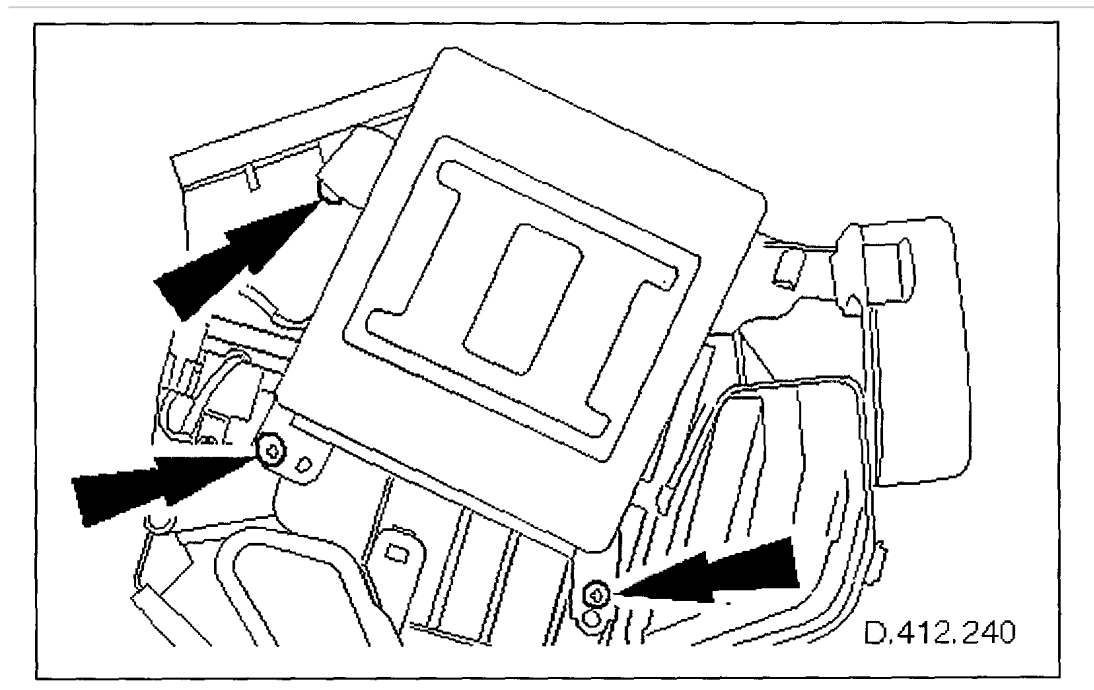


EVAPORATOR CORE

Evaporator

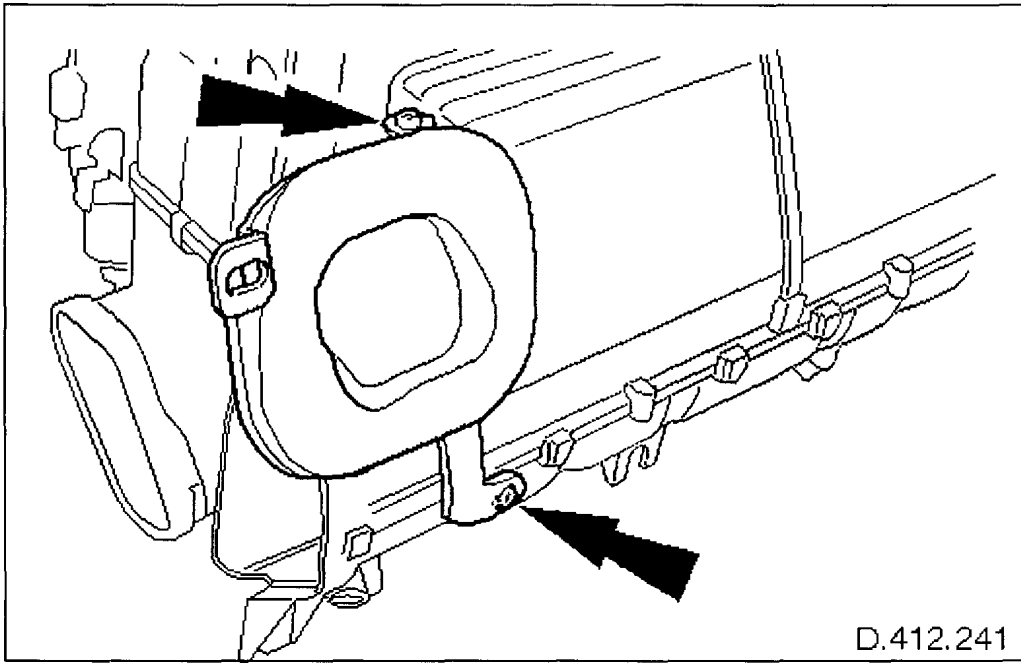
Removal

1. Remove heater/cooler unit;



2. Remove air conditioning control module from heater/cooler unit.

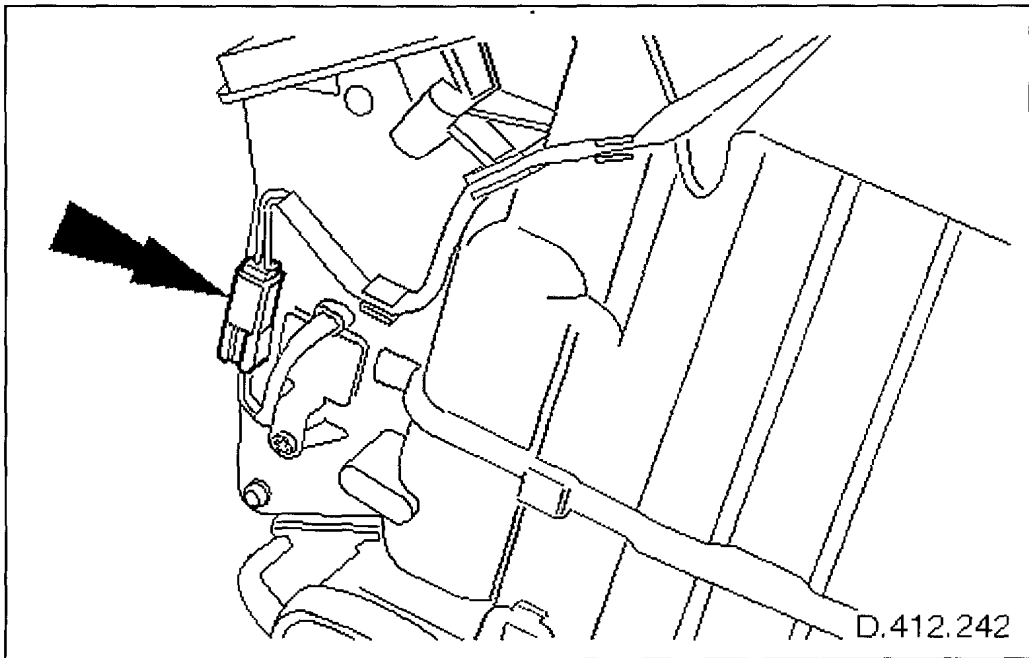
- Slacken upper fixing.
- Remove lower fixings.



D.412.241

3. Remove evaporator pipe firewall seal plate.

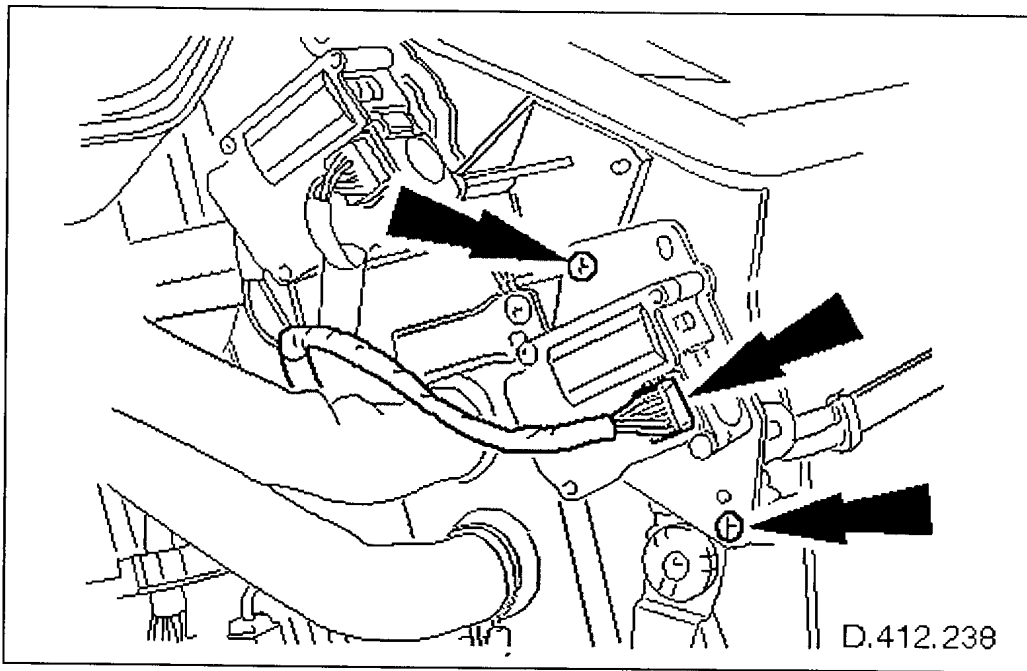
- Remove screws.
- Remove plate.



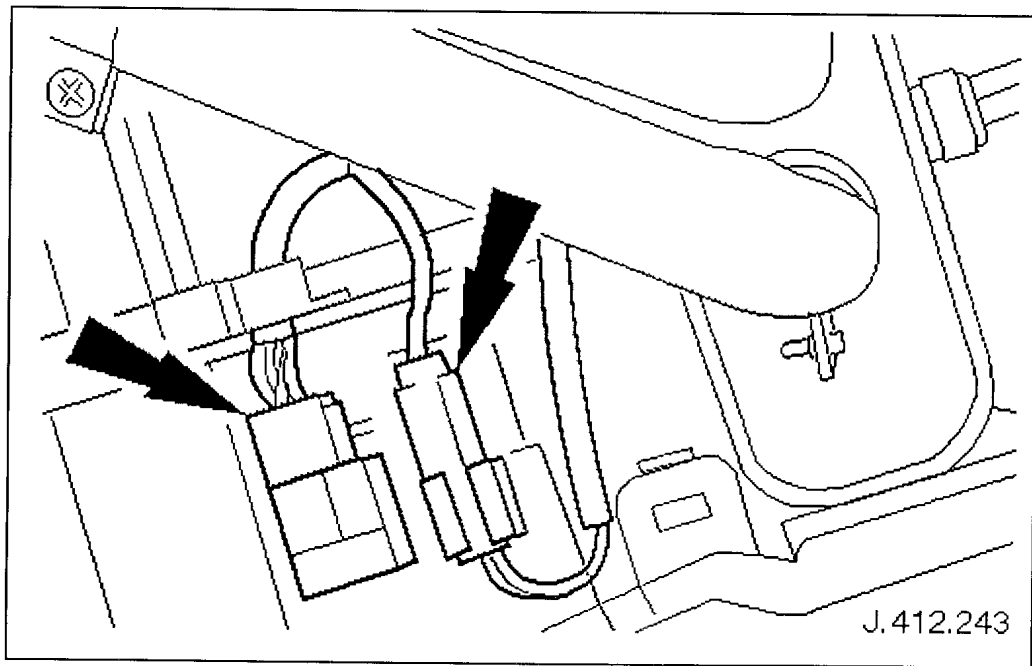
D.412.242

4. Disconnect heater matrix temperature sensor.

- Detach beater matrix temperature sensor connector from unit.
- Disconnect connector.

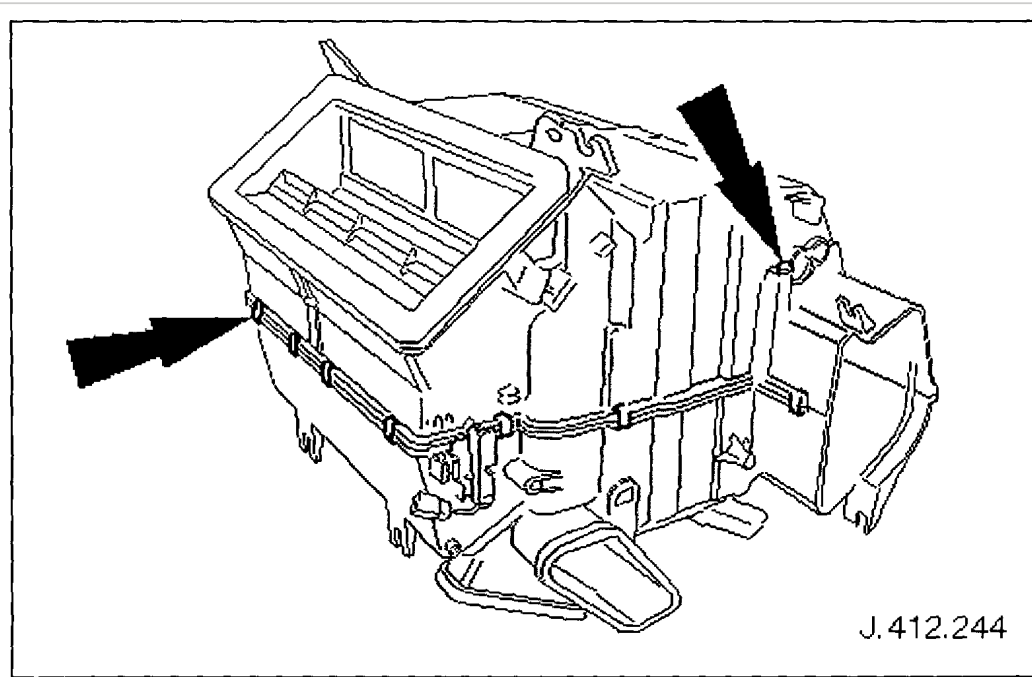


5. Remove footwell servo motor from heater/cooler unit.
- Disconnect connector.
 - Remove screws.
 - Remove motor complete with bracket.



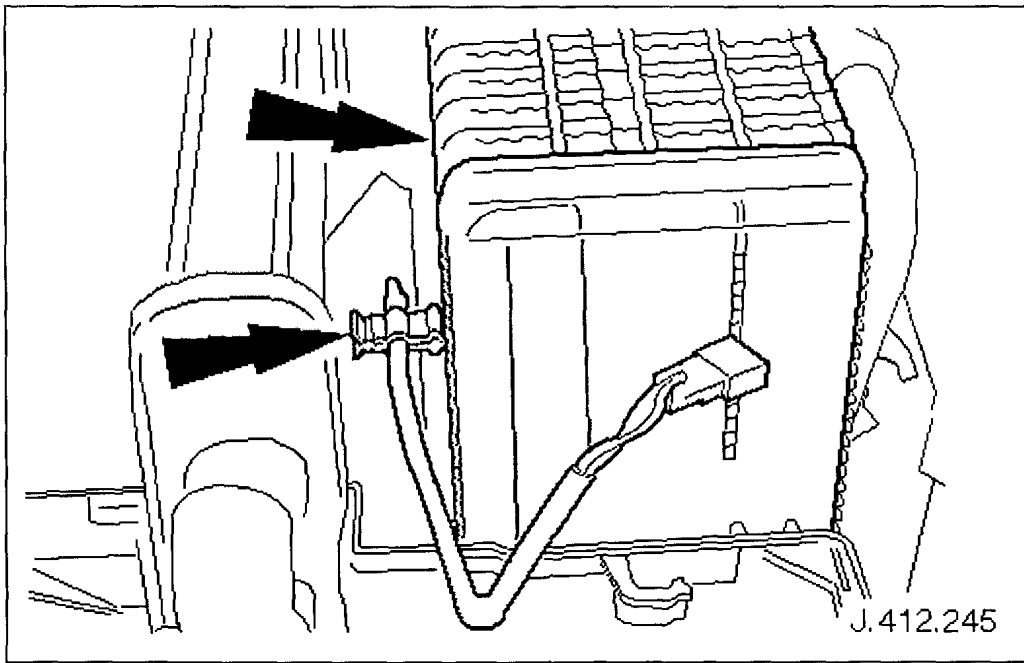
6. Disconnect evaporator sensor connector

- Detach heater/ cooler unit connector.
- Detach evaporator sensor connector.
- Disconnect connector.



7. Remove heater/cooler unit upper case from lower case.

- Remove screw.
- Remove 15 clips.
- Remove upper case from lower case.



8. Remove evaporator from case.
- Remove sensor and clip.
 - Remove evaporator.

Installation

1. Installation is the reverse of removal