



BY APPOINTMENT TO
HER MAJESTY QUEEN ELIZABETH II
MANUFACTURERS OF DAIMLER AND JAGUAR CARS
JAGUAR CARS LIMITED COVENTRY



BY APPOINTMENT TO
HER MAJESTY QUEEN ELIZABETH
THE QUEEN MOTHER
MANUFACTURERS OF DAIMLER AND JAGUAR CARS
JAGUAR CARS LIMITED COVENTRY

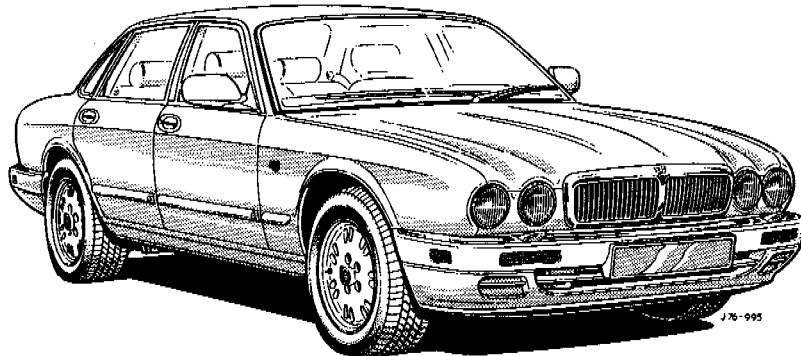


BY APPOINTMENT TO
HIS ROYAL HIGHNESS THE PRINCE OF WALES
MANUFACTURERS OF DAIMLER AND JAGUAR CARS
JAGUAR CARS LIMITED COVENTRY



JAGUAR

Sedan Range 1996 Electrical Guide



J76-995



Electrical Guide Format

This Electrical Guide is made up of two major sections. The first section, at the front of the book, provides general information for and about the use of the book. Included are a Table of Contents, a Component Index, a description of the layout of the book, definitions of symbols and abbreviations used, and illustrations which identify the type and location of common vehicle components.

The second section includes the Figures, which are the basis of the book. Each Figure is identified by a Figure Number (i.e. Fig. 01.1) and Title, and is accompanied by a page of data containing information specific to that Figure.

It is recommended that the user read through the front section of the book to develop a familiarity with the layout of the book and with the system of symbols and abbreviations used. The Table of Contents on the following pages should help to guide the user.

Standard Abbreviations

The following abbreviations are used throughout this Electrical Guide:

DI	Direction Indicator
LH	Left-Hand
LHD	Left-Hand Drive
LWB	Long Wheelbase
NA	Normally Aspirated
NAS	North American Specification
RH	Right-Hand
RHD	Right-Hand Drive
ROW	Rest of World
SC	Super Charged
SRS	Supplementary Restraint System
SWB	Short Wheelbase
VIN	Vehicle Identification Number

Refer to the vehicle Service Manual for a glossary of standard terms and their abbreviations.

Vehicle Identification Numbers (VIN)

VIN ranges are presented throughout the book in the following manner:

→ VIN 123456 indicates "up to VIN 123456"; VIN 123456 → indicates "from VIN 123456 on".

Market Variants

▲ This Electrical Guide includes information for all market variants and specifications of the 1996 Sedan Range. The user must be certain to refer to the appropriate Figure (Fig.) in order to ensure that the information is specific to the particular vehicle. Market variants are detailed in the Table of Contents.

Vehicle Features – ROW

▲ This Electrical Guide includes all new / revised features for vehicles manufactured from VIN 746613 on (1995.75 Model Year). Some of the new / revised features were not introduced until VIN 754304 (1996 Model Year).

Vehicle Features – NAS

▲ This Electrical Guide includes all new / revised features for vehicles manufactured from VIN 746613 on (1996 Model Year). Thirty percent of NAS AJ16 NA vehicles will be equipped with On-board Vapor Recovery Systems. Figure 04.1 includes this system. On AJ16 NA vehicles without On-board Vapor Recovery, the Canister Close Valve and the Fuel Tank Pressure Sensor are deleted. The basic EMS (PI) wiring harness is identical for both vehicles.



Component Index	6 – 12
User Instructions	13 – 17
Harness Layout and Connectors	18 – 19
Control Module Identification and Location	20 – 21
Control Module Connector Pin Identification and Location	22 – 25
Relay and Fuse Box Identification and Location	26
Ground Point Identification and Location	27



FIGURES

Fig.	Description	Variant
01 Power Distribution		
01.1	Battery Power Distribution – Main	All Vehicles
01.2	Battery Power Distribution – Heel Board Fuse Boxes	All Vehicles
01.3	Battery Power Distribution – Engine Bay, Trunk Fuse Boxes	All Vehicles
01.4	Ignition Switched Power Distribution	All Vehicles
02 Ground Distribution		
02.1	Ignition Switched Ground Distribution	All Vehicles
02.2	Logic Ground Distribution	All Vehicles
03 Battery; Starter; Generator		
03.1	Battery; Starter; Generator – AJ16 4.0L NA Automatic	AJ16 4.0L NA Automatic Transmission Vehicles
03.2	Battery; Starter; Generator – AJ16 4.0L SC and 3.2L Automatic	AJ16 4.0L SC and 3.2L Automatic Transmission Vehicles
03.3	Battery; Starter; Generator – Manual	Manual Transmission Vehicles
03.4	Battery; Starter; Generator – V12	V12 Vehicles
04 Engine Management		
04.1	AJ16 NA Federal Engine Management	AJ16 NA Federal Vehicles
04.2	AJ16 NA ROW Engine Management	AJ16 4.0L and 3.2L NA ROW Vehicles
04.3	AJ16 SC Engine Management	XJR Vehicles
04.4	V12 Federal Engine Management, Part 1	V12 Federal Vehicles
04.5	V12 Federal Engine Management, Part 2	V12 Federal Vehicles
04.6	V12 ROW Engine Management, Part 1	V12 ROW Vehicles
04.7	V12 ROW Engine Management, Part 2	V12 ROW Vehicles
05 Transmission		
05.1	AJ16 4.0L NA Automatic Transmission	AJ16 4.0L NA Automatic Transmission Vehicles
05.2	AJ16 SC Automatic Transmission	XJR Automatic Transmission Vehicles
05.3	AJ16 3.2L Automatic Transmission	AJ16 3.2L Automatic Transmission Vehicles
05.4	V12 Automatic Transmission	V12 Automatic Transmission Vehicles
05.5	Gearshift Interlock	All Automatic Transmission Vehicles
06 Anti-Lock Braking; Traction Control		
06.1	Anti-Lock Braking; Traction Control – LHD	LHD Vehicles
06.2	Anti-Lock Braking; Traction Control – RHD	RHD Vehicles
07 Radiator Cooling; Air Conditioning Compressor		
07.1	Radiator Cooling; Air Conditioning Compressor – AJ16	AJ16 Vehicles
07.2	Radiator Cooling; Air Conditioning Compressor – V12	V12 Vehicles
08 Speed Control		
08.1	Speed Control	All Vehicles



FIGURES

Fig.	Description	Variant
09 Exterior Lighting		
09.1	Headlamps; Front Fog Lamps; Front Side Lamps	All Vehicles
09.2	Tail Lamps; Rear Fog Lamps; Rear Side Lamps	All Vehicles
09.3	Stop Lamps; Reverse Lamps	All Vehicles
09.4	Direction Indicators; Hazard Warning Lamps	All Vehicles
09.5	Headlamp Leveling; Clock	All Vehicles
10 Interior Lighting		
10.1	Interior Lighting	All Vehicles
10.2	Dimmer Controlled Lighting – SWB	SWB Vehicles
10.3	Dimmer Controlled Lighting – LWB	LWB Vehicles
11 Instrument Pack		
11.1	Instrument Normal Display	All Vehicles
11.2	Instrument Hazard / Warning Display	All Vehicles
11.3	Audible Warnings	All Vehicles
12 Climate Control		
12.1	AJ16 Climate Control System, Part 1	AJ16 Vehicles
12.2	V12 Climate Control System, Part 1	V12 Vehicles
12.3	AJ16 and V12 Climate Control Systems, Part 2	All Vehicles
13 Steering		
13.1	Variable Power Steering – LHD and RHD	All Vehicles
13.2	Column and Mirror Movement – Memory, LHD	LHD Memory Vehicles
13.3	Column and Mirror Movement – Memory, RHD	RHD Memory Vehicles
13.4	Mirror Movement – LHD	LHD Manual Column Vehicles
13.5	Mirror Movement – RHD	RHD Manual Column Vehicles
14 Seat Systems		
14.1	Driver Seat – Memory, ROW	ROW Memory Seat Vehicles
14.2	Driver Seat – Memory, NAS	NAS Vehicles
14.3	Driver Seat – Non-Memory	Non-Memory Seat Vehicles
14.4	Driver Seat – Raise / Lower Only	Raise / Lower Seat Vehicles
14.5	Passenger Seat – Memory, ROW/SWB	ROW/SWB Memory Seat Vehicles
14.6	Passenger Seat – Memory, ROW/LWB	ROW/LWB Memory Seat Vehicles
14.7	Passenger Seat – Memory, NAS/SWB	NAS/SWB Vehicles
14.8	Passenger Seat – Memory, NAS/LWB	NAS/LWB Vehicles
14.9	Passenger Seat – Non-Memory	Non-Memory Seat Vehicles
14.10	Passenger Seat – Raise / Lower Only	Raise / Lower Seat Vehicles
14.11	Passenger Seat – Manual (Heater Only)	Manual Passenger Seat Vehicles
14.12	Rear Seats – Powered	ROW/LWB Powered Rear Seat Vehicles
14.13	Rear Seat Heaters	Heated Rear Seat Vehicles



FIGURES

Fig.	Description	Variant
15	Door Locking; Security	
15.1	Central Door Locking – LHD	LHD ROW Vehicles
15.2	Central Door Locking – NAS	NAS Vehicles
15.3	Central Door Locking – RHD	RHD Vehicles
15.4	Security System – ROW	ROW Vehicles
15.5	Security System – NAS	NAS Vehicles
16	Wash / Wipe System	
16.1	Wash / Wipe System	All Vehicles
17	Window Lifts; Sliding Roof	
17.1	Window Lifts; Sliding Roof – LHD	LHD Vehicles
17.2	Window Lifts; Sliding Roof – RHD	RHD Vehicles
18	In-Car Entertainment; Telephone	
18.1	In-Car Entertainment; Telephone	Standard ICE Vehicles
18.2	Premium In-Car Entertainment; Telephone	Premium ICE ROW Vehicles
18.3	In-Car Entertainment; Telephone – NAS	NAS Vehicles
19	Supplementary Restraint System	
19.1	Air Bag System	Air Bag Vehicles
20	Ancillaries	
20.1	Ancillaries: Horns; Cigar Lighters;	All Vehicles
	Electrochromic Rear View Mirror; Caravan / Trailer Connector;	
	Accessory Connectors; Universal Garage Door Opener; Fold Back Mirrors	
21	Serial Communication	
21.1	Serial Communication Data Link	All Vehicles



ABS / TRACTION CONTROL CONTROL MODULE (LHD)	Fig. 06.1	BRAKE FLUID LEVEL SWITCH	Fig. 11.2
.....	Fig. 21.1	BRAKE SWITCH	Fig. 05.2
ABS / TRACTION CONTROL CONTROL MODULE (RHD)	Fig. 06.2	Fig. 05.4
.....	Fig. 21.1	Fig. 05.5
ACCESSORY CONNECTORS	Fig. 20.1	Fig. 06.1
AIR BAG DIAGNOSTIC MONITOR	Fig. 19.1	Fig. 06.2
AIR BAGS	Fig. 19.1	Fig. 08.1
AIR CONDITIONING COMPRESSOR CLUTCH	Fig. 07.1	Fig. 09.3
.....	Fig. 07.2	Fig. 14.1
AIR CONDITIONING CONTROL MODULE	Fig. 07.1	Fig. 14.2
.....	Fig. 07.2	Fig. 14.3
.....	Fig. 10.2	CAMSHAFT POSITION SENSOR (AJ16)	Fig. 04.1
.....	Fig. 10.3	Fig. 04.2
.....	Fig. 12.1	Fig. 04.3
.....	Fig. 12.2	CAMSHAFT POSITION SENSOR (V12)	Fig. 04.4
.....	Fig. 12.3	Fig. 04.6
.....	Fig. 21.1	CANISTER CLOSE VALVE	Fig. 04.1
AIR CONDITIONING CONTROL PANEL	Fig. 10.2	CARAVAN / TRAILER CONNECTOR	Fig. 20.1
.....	Fig. 10.3	CATALYST SWITCHING MODULE	Fig. 04.2
.....	Fig. 12.1	Fig. 04.6
.....	Fig. 12.2	CATALYST THERMOCOUPLES	Fig. 04.2
AMBIENT TEMPERATURE SENSOR	Fig. 12.1	Fig. 04.6
.....	Fig. 12.2	CD AUTO CHANGER	Fig. 18.1
AMBIENT TEMPERATURE SWITCH	Fig. 16.1	Fig. 18.2
ASPIRATOR MOTOR	Fig. 12.1	Fig. 18.3
.....	Fig. 12.2	CENTER CONSOLE SWITCH PACK	Fig. 09.5
AUTO TILT SWITCH (COLUMN SWITCHGEAR)	Fig. 13.2	Fig. 09.4
.....	Fig. 13.3	Fig. 10.2
BATTERY	Fig. 01.1	Fig. 10.3
.....	Fig. 03.1	Fig. 11.3
.....	Fig. 03.2	Fig. 14.1
.....	Fig. 03.3	Fig. 14.2
.....	Fig. 03.4	Fig. 14.3
BLOWER MOTORS	Fig. 12.3	Fig. 14.4
BODY PROCESSOR MODULE	Fig. 01.1	Fig. 14.5
.....	Fig. 03.1	Fig. 14.6
.....	Fig. 03.2	Fig. 14.7
.....	Fig. 03.3	Fig. 14.8
.....	Fig. 03.4	Fig. 14.9
.....	Fig. 05.5	Fig. 14.10
.....	Fig. 09.1	Fig. 14.11
.....	Fig. 09.2	Fig. 15.1
.....	Fig. 09.4	Fig. 15.2
.....	Fig. 10.1	Fig. 15.3
.....	Fig. 11.2	Fig. 15.4
.....	Fig. 11.3	Fig. 15.5
.....	Fig. 14.1	Fig. 17.1
.....	Fig. 14.2	Fig. 17.2
.....	Fig. 14.3	CIGAR LIGHTERS	Fig. 10.2
.....	Fig. 14.4	Fig. 10.3
.....	Fig. 14.5	Fig. 20.1
.....	Fig. 14.6	CLOCK (PART OF CENTER CONSOLE SWITCH PACK)	Fig. 09.5
.....	Fig. 14.7	CLUTCH SWITCH (MANUAL TRANSMISSION)	Fig. 08.1
.....	Fig. 14.8	CLUTCH SWITCH LINK (AUTOMATIC TRANSMISSION)	Fig. 08.1
.....	Fig. 14.9	COIL (COLUMN SWITCHGEAR)	Fig. 15.4
.....	Fig. 14.10	COLUMN / MIRROR MOVEMENT CONTROL MODULE	Fig. 13.2
.....	Fig. 14.11	Fig. 13.3
.....	Fig. 15.4	Fig. 21.1
.....	Fig. 15.5	COLUMN JOYSTICK (COLUMN SWITCHGEAR)	Fig. 13.2
.....	Fig. 16.1	Fig. 13.3
.....	Fig. 17.1	COMPRESSOR LOCK SENSOR	Fig. 12.2
.....	Fig. 17.2		
.....	Fig. 21.1		



COOL AIR BYPASS SERVO	Fig. 12.1	DOOR MIRROR MOTORS	Fig. 13.2
.....	Fig. 12.2	Fig. 13.3
COOLANT LEVEL SWITCH	Fig. 11.2	Fig. 13.4
COOLANT TEMPERATURE SENSOR	Fig. 11.1	Fig. 13.5
CRANKSHAFT POSITION SENSOR	Fig. 04.1	DOOR SWITCH PACK – DRIVER	Fig. 10.1
.....	Fig. 04.2	Fig. 10.2
.....	Fig. 04.3	Fig. 10.3
.....	Fig. 04.6	Fig. 11.2
.....	Fig. 04.6	Fig. 11.3
DATA LINK CONNECTOR	Fig. 21.1	Fig. 13.2
DECODER MODULE	Fig. 03.1	Fig. 13.3
.....	Fig. 05.1	Fig. 13.4
DEFROST SERVO	Fig. 12.1	Fig. 13.5
.....	Fig. 12.2	Fig. 14.1
DIFFERENTIAL CONTROL POTENTIOMETER	Fig. 12.1	Fig. 14.2
.....	Fig. 12.2	Fig. 14.3
DIMMER MODULE (COLUMN SWITCHGEAR)	Fig. 10.2	Fig. 17.1
.....	Fig. 10.3	Fig. 17.2
DIMMER CONTROL (COLUMN SWITCHGEAR)	Fig. 10.2	DOOR SWITCH PACK – PASSENGER	Fig. 10.1
.....	Fig. 10.3	Fig. 10.2
DIODE (BT51) – HIGH MOUNTED STOP LAMP	Fig. 09.9	Fig. 10.3
DIODE (FC58) – WASH / WIPE SWITCH	Fig. 16.1	Fig. 11.2
DIODE (FC59) – RH DI INDICATOR	Fig. 09.4	Fig. 14.5
DIODE (FC60) – LH DI INDICATOR	Fig. 09.4	Fig. 14.6
DIODE (FC61) – WASH / WIPE SWITCH	Fig. 16.1	Fig. 14.7
DIODE (PI81) – AIRP SOLENOID SUPPRESSION	Fig. 04.1	Fig. 14.8
.....	Fig. 04.2	Fig. 15.4
.....	Fig. 04.3	Fig. 15.5
.....	Fig. 04.5	DOOR SWITCH PACK – LH REAR	Fig. 10.1
.....	Fig. 04.7	Fig. 10.2
DIRECTION INDICATOR SWITCHES		Fig. 10.3
(COLUMN SWITCHGEAR)	Fig. 09.4	Fig. 11.2
.....	Fig. 11.3	DOOR SWITCH PACK – RH REAR	Fig. 10.1
DIRECTION INDICATORS	Fig. 09.4	Fig. 10.2
DOOR KEY BARREL SWITCH – DRIVER	Fig. 15.1	Fig. 10.3
.....	Fig. 15.2	Fig. 11.2
.....	Fig. 15.3	DOOR SWITCH – DRIVER	Fig. 10.1
DOOR LOCK ACTUATOR – DRIVER	Fig. 15.1	Fig. 11.2
.....	Fig. 15.2	Fig. 11.3
.....	Fig. 15.3	Fig. 13.2
.....	Fig. 15.4	Fig. 13.3
.....	Fig. 15.5	Fig. 14.1
DOOR LOCK ACTUATOR – PASSENGER	Fig. 15.1	Fig. 14.2
.....	Fig. 15.2	Fig. 14.3
.....	Fig. 15.3	Fig. 15.4
.....	Fig. 15.4	Fig. 15.5
.....	Fig. 15.5	DOOR SWITCH – PASSENGER	Fig. 10.1
DOOR LOCK ACTUATOR – LH REAR	Fig. 15.1	Fig. 11.2
.....	Fig. 15.2	Fig. 14.5
.....	Fig. 15.3	Fig. 14.6
DOOR LOCK ACTUATOR – RH REAR	Fig. 15.1	Fig. 14.7
.....	Fig. 15.2	Fig. 14.8
.....	Fig. 15.3	Fig. 14.9
DOOR KEY BARREL SWITCH – DRIVER	Fig. 15.1	Fig. 15.4
.....	Fig. 15.2	Fig. 15.5
.....	Fig. 15.3	DOOR SWITCH – LH REAR	Fig. 10.1
DOOR LOCK ACTUATOR – LH REAR	Fig. 15.1	Fig. 11.2
.....	Fig. 15.2	Fig. 15.4
.....	Fig. 15.3	Fig. 15.5
DOOR LOCK ACTUATOR – RH REAR	Fig. 15.1	DOOR SWITCH – RH REAR	Fig. 10.1
.....	Fig. 15.2	Fig. 11.2
.....	Fig. 15.3	Fig. 15.4
DOOR KEY BARREL SWITCH – DRIVER	Fig. 15.1	Fig. 15.5
.....	Fig. 15.2	DUMP VALVE	Fig. 08.1
.....	Fig. 15.3	E-POST LAMPS	Fig. 10.1



EGR TEMPERATURE SENSOR	Fig. 04.1	FUEL INJECTORS (AJ16 1, 2, 3)	Fig. 04.1
.....	Fig. 04.3	Fig. 04.2
EGR VALVE	Fig. 04.1	Fig. 04.3
.....	Fig. 04.3	FUEL INJECTORS (AJ16 4, 5, 6)	Fig. 04.1
ELECTROCHROMIC REAR VIEW MIRROR	Fig. 20.1	FUEL LEVEL SENSOR	Fig. 11.1
ENGINE CONTROL MODULE (AJ16)	Fig. 03.1	FUEL PUMP 1	Fig. 04.1
.....	Fig. 03.2	Fig. 04.2
.....	Fig. 03.3	Fig. 04.3
.....	Fig. 04.1	Fig. 04.4
.....	Fig. 04.2	Fig. 04.10
.....	Fig. 04.3	FUEL PUMP 2	Fig. 04.3
.....	Fig. 07.1	Fig. 04.4
.....	Fig. 21.1	Fig. 04.6
ENGINE CONTROL MODULE (V12)	Fig. 03.4	FUEL PUMP CONTROL MODULE	Fig. 04.3
.....	Fig. 04.4	FUEL TANK PRESSURE SENSOR	Fig. 04.1
.....	Fig. 04.5	FUSE BOX - LH ENGINE BAY	Fig. 01.1
.....	Fig. 04.6	Fig. 01.3
.....	Fig. 04.7	Fig. 20.1
.....	Fig. 07.2	FUSE BOX - LH HEELBOARD	Fig. 01.1
.....	Fig. 21.1	Fig. 01.2
ENGINE COOLANT TEMPERATURE SENSOR (AJ16)	Fig. 04.1	Fig. 01.4
.....	Fig. 04.2	FUSE BOX - RH ENGINE BAY	Fig. 01.1
.....	Fig. 04.3	Fig. 01.3
ENGINE COOLANT TEMPERATURE SENSOR (V12)	Fig. 04.4	Fig. 01.4
.....	Fig. 04.6	FUSE BOX - RH HEELBOARD	Fig. 01.1
ENGINE SPEED SENSOR	Fig. 04.4	Fig. 01.2
.....	Fig. 04.6	Fig. 01.4
EVAPORATIVE EMISSION CONTROL VALVE (AJ16)	Fig. 04.1	FUSE BOX - TRUNK	Fig. 01.1
.....	Fig. 04.2	Fig. 01.3
.....	Fig. 04.3	Fig. 01.4
EVAPORATIVE EMISSION CONTROL VALVES (V12)	Fig. 04.5	GEAR SELECTOR INDICATOR MODULE	
.....	Fig. 04.7	(AJ16 3.2L, 4.0L SC; V12)	Fig. 05.2
EVAPORATOR TEMPERATURE SENSOR	Fig. 12.1	Fig. 05.3
.....	Fig. 12.2	Fig. 05.4
FAN CONTROL RELAY MODULE	Fig. 07.1	GEAR SELECTOR INDICATOR MODULE (AJ16 4.0L)	Fig. 05.1
.....	Fig. 07.2	GEARSHIFT INTERLOCK SOLENOID	Fig. 05.5
FASCIA SWITCH PACK	Fig. 06.1	GENERATOR	Fig. 03.1
.....	Fig. 06.2	Fig. 03.2
.....	Fig. 10.2	Fig. 03.3
.....	Fig. 10.3	Fig. 03.4
.....	Fig. 11.1	GLOVE BOX LAMP	Fig. 10.1
FASCIA TRUNK RELEASE SWITCH	Fig. 15.1	HAND BRAKE SWITCH	Fig. 11.1
.....	Fig. 15.2	Fig. 13.2
.....	Fig. 15.3	Fig. 13.3
FLUID TEMPERATURE SENSOR	Fig. 05.1	Fig. 14.1
FOG LAMPS	Fig. 09.1	Fig. 14.2
FOLD-BACK MIRROR SWITCH	Fig. 20.1	Fig. 14.3
FOLD-BACK MIRRORS	Fig. 20.1	HEADLAMP FLASH SWITCH (COLUMN SWITCHGEAR)	Fig. 09.1
FOOT WELL SERVO	Fig. 12.1	HEADLAMP LEVELING ACTUATORS	Fig. 09.5
.....	Fig. 12.2	HEADLAMPS	Fig. 09.1
FRESH / RECIRCULATION SERVOS	Fig. 12.1	HEATED BACKLIGHT	Fig. 12.3
.....	Fig. 12.2	HEATED OXYGEN SENSORS (AJ16)	Fig. 04.1
FUEL FILLER FLAP ACTUATOR	Fig. 15.1	Fig. 04.2
.....	Fig. 15.2	Fig. 04.3
.....	Fig. 15.3	HEATED OXYGEN SENSORS (V12)	Fig. 04.4
FUEL INJECTORS (V12)	Fig. 04.5	Fig. 04.6
.....	Fig. 04.7		



HEATER MATRIX TEMPERATURE SENSOR	Fig. 12.1	INTERIOR / MAP LAMPS CONSOLE	Fig. 10.1
.....	Fig. 12.2	Fig. 10.2
HEATER PUMP	Fig. 12.3	Fig. 10.3
HEATER VALVE	Fig. 12.3	INTRUSION SENSORS	Fig. 15.4
HIGH MOUNTED STOP LAMP	Fig. 09.3	Fig. 15.5
HOOD SWITCH	Fig. 15.4	KEYLOCK SOLENOID (COLUMN SWITCHGEAR)	Fig. 05.5
.....	Fig. 15.5	KICKDOWN SWITCH	Fig. 05.1
HORN SWITCHES	Fig. 20.1	Fig. 05.2
HORNS	Fig. 20.1	Fig. 05.4
IDLE AIR CONTROL VALVE (AJ16)	Fig. 04.1	KNOCK SENSORS	Fig. 04.1
.....	Fig. 04.2	Fig. 04.2
.....	Fig. 04.3	Fig. 04.3
IDLE AIR CONTROL VALVES (V12)	Fig. 04.4	LAMP CONTROL MODULE	Fig. 09.2
.....	Fig. 04.6	Fig. 09.3
IGNITION COILS (AJ16)	Fig. 04.1	Fig. 09.4
.....	Fig. 04.2	LIGHTING SWITCHES	Fig. 09.1
.....	Fig. 04.3	Fig. 09.2
IGNITION COILS (V12)	Fig. 04.5	Fig. 10.2
.....	Fig. 04.7	Fig. 10.3
IGNITION MODULES (V12)	Fig. 04.5	Fig. 11.3
.....	Fig. 04.7	Fig. 16.1
IGNITION SWITCH	Fig. 02.1	LINEAR GEAR POSITION SWITCHES	Fig. 03.2
.....	Fig. 03.1	Fig. 03.4
.....	Fig. 03.2	Fig. 05.2
.....	Fig. 03.3	Fig. 05.3
.....	Fig. 03.4	Fig. 05.4
.....	Fig. 10.1	Fig. 09.3
.....	Fig. 11.3	Fig. 13.2
.....	Fig. 13.2	Fig. 13.3
.....	Fig. 13.3	MANIFOLD ABSOLUTE PRESSURE SENSORS	Fig. 04.4
.....	Fig. 14.1	Fig. 04.6
.....	Fig. 14.2	MASS AIR FLOW SENSOR	Fig. 04.1
.....	Fig. 14.3	Fig. 04.2
.....	Fig. 14.5	Fig. 04.3
.....	Fig. 14.6	MICROPHONE	Fig. 18.1
.....	Fig. 14.7	Fig. 18.2
.....	Fig. 14.8	Fig. 18.3
.....	Fig. 14.9	MID-BASS SPEAKERS	Fig. 18.1
.....	Fig. 15.1	Fig. 18.2
.....	Fig. 15.2	Fig. 18.3
.....	Fig. 15.3	MIRRORS	Fig. 12.3
IMPACT SENSORS	Fig. 19.1	MODE SWITCH	Fig. 05.1
IN-CAR TEMPERATURE SENSOR	Fig. 12.1	Fig. 05.2
.....	Fig. 12.2	Fig. 05.4
INCLINATION SENSOR	Fig. 15.4	NOT IN-PARK MICROSWITCH	Fig. 05.5
.....	Fig. 15.5	Fig. 11.3
INERTIA SWITCH	Fig. 02.1	Fig. 13.2
INPUT SPEED SENSOR	Fig. 05.2	Fig. 13.3
.....	Fig. 05.4	Fig. 14.1
INSTRUMENT PACK	Fig. 10.2	Fig. 14.2
.....	Fig. 10.3	Fig. 14.3
.....	Fig. 11.1	Fig. 15.1
.....	Fig. 11.2	Fig. 15.2
.....	Fig. 21.1	Fig. 15.3
INTAKE AIR TEMPERATURE SENSOR (AJ16)	Fig. 04.1	NUMBER PLATE LAMPS	Fig. 09.2
.....	Fig. 04.2	OIL PRESSURE SWITCH	Fig. 11.1
.....	Fig. 04.3	OUTPUT SHAFT SENSOR	Fig. 05.1
INTAKE AIR TEMPERATURE SENSOR (V12)	Fig. 04.4	Fig. 05.2
.....	Fig. 04.6	Fig. 05.4



POWER AMPLIFIER	Fig. 18.2	SEAT CONTROL MODULE – PASSENGER	
.....	Fig. 18.3	(ROW, MEMORY SEAT VEHICLES)	Fig. 10.3
POWER STEERING PRESSURE SWITCH	Fig. 04.5	Fig. 14.5
.....	Fig. 04.7	Fig. 14.6
POWER WASH PUMP	Fig. 16.1	Fig. 14.7
PRESSURE REGULATOR	Fig. 05.1	Fig. 14.8
PRESSURE SWITCH MANIFOLD	Fig. 05.2	Fig. 21.1
.....	Fig. 05.4	SEAT CONTROL MODULE – REAR	Fig. 14.12
PUDDLE LAMPS	Fig. 10.1	SEAT CUSHION – DRIVER	Fig. 14.1
RADIATOR COOLING FANS	Fig. 07.1	Fig. 14.2
.....	Fig. 07.2	Fig. 14.3
RADIATOR THERMOSTATIC SWITCH	Fig. 07.1	Fig. 14.4
.....	Fig. 07.2	SEAT CUSHION – PASSENGER	Fig. 14.5
RADIO	Fig. 10.2	Fig. 14.6
.....	Fig. 10.3	Fig. 14.7
RADIO ANTENNA	Fig. 18.1	Fig. 14.8
.....	Fig. 18.2	Fig. 14.9
.....	Fig. 18.3	Fig. 14.10
RADIO ANTENNA MOTOR	Fig. 18.1	Fig. 14.11
.....	Fig. 18.2	SEAT CUSHION – LH REAR	Fig. 14.12
.....	Fig. 18.3	Fig. 14.13
RADIO CASSETTE	Fig. 18.1	SEAT CUSHION – RH REAR	Fig. 14.12
.....	Fig. 18.2	Fig. 14.13
.....	Fig. 18.3	SEAT FORE/AFT MOTOR – LH REAR	Fig. 14.12
READER / EXCITER CONTROL MODULE	Fig. 15.4	SEAT FORE/AFT MOTOR – RH REAR	Fig. 14.12
REFRIGERANT DUAL PRESSURE SWITCH	Fig. 07.2	SEAT FORE/AFT SWITCH – LH REAR	Fig. 10.3
REFRIGERANT SINGLE PRESSURE SWITCH	Fig. 07.1	Fig. 14.12
REFRIGERANT TRIPLE PRESSURE SWITCH	Fig. 07.1	SEAT FORE/AFT SWITCH – RH REAR	Fig. 10.3
REPEATERS	Fig. 09.4	Fig. 14.12
REVERSE SWITCH (AJ16 MANUAL)	Fig. 09.3	SEAT FORE/AFT SWITCHES – PASSENGER, REAR	Fig. 10.3
.....	Fig. 13.2	Fig. 14.6
.....	Fig. 13.3	Fig. 14.8
ROTARY SWITCH	Fig. 03.1	SEAT HEADREST MOTOR – LH REAR	Fig. 14.12
.....	Fig. 05.1	SEAT HEADREST MOTOR – RH REAR	Fig. 14.12
.....	Fig. 09.3	SEAT HEADREST SWITCH – LH REAR	Fig. 10.3
.....	Fig. 13.2	Fig. 14.12
.....	Fig. 13.3	SEAT HEADREST SWITCH – RH REAR	Fig. 10.3
SAFING SENSOR	Fig. 19.1	Fig. 14.12
SEAT BELT SWITCH	Fig. 11.2	SEAT HEATER TIMER – LH REAR	Fig. 14.12
.....	Fig. 11.3	Fig. 14.13
SEAT CONTROL MODULE – DRIVER		SEAT HEATER TIMER – RH REAR	Fig. 14.12
(NAS VEHICLES)	Fig. 11.2	Fig. 14.13
.....	Fig. 11.3	SEAT HEATER SWITCH – LH REAR	Fig. 10.3
.....	Fig. 14.2	Fig. 14.12
.....	Fig. 21.1	Fig. 14.13
SEAT CONTROL MODULE – DRIVER		SEAT HEATER SWITCH – RH REAR	Fig. 10.3
(ROW, MEMORY SEAT VEHICLES)	Fig. 11.2	Fig. 14.12
.....	Fig. 11.3	Fig. 14.13
.....	Fig. 14.1	SEAT LUMBAR PUMP – DRIVER	Fig. 14.1
.....	Fig. 14.3	Fig. 14.2
.....	Fig. 21.1	Fig. 14.3
SEAT CONTROL MODULE – PASSENGER		SEAT LUMBAR PUMP – PASSENGER	Fig. 14.5
(NAS VEHICLES)	Fig. 10.3	Fig. 14.6
.....	Fig. 14.9	Fig. 14.7
.....	Fig. 21.1	Fig. 14.8
		Fig. 14.9
		SEAT LUMBAR PUMP – LH REAR	Fig. 14.12
		SEAT LUMBAR PUMP – RH REAR	Fig. 14.12



SEAT LUMBAR SWITCH – LH REAR	Fig. 10.3	SECURITY ANTENNA	Fig. 15.4
.....	Fig. 14.12	Fig. 15.5
SEAT LUMBAR SWITCH – RH REAR	Fig. 10.3	SECURITY SOUNDER	Fig. 15.4
.....	Fig. 14.12	Fig. 15.5
SEAT MOTORS – DRIVER	Fig. 14.1	SHIFT SOLENOIDS	Fig. 05.2
.....	Fig. 14.2	Fig. 05.4
.....	Fig. 14.3	SHORTING LINK	Fig. 15.1
SEAT MOTOR – DRIVER (RAISE / LOWER SEAT VEHICLES)	Fig. 14.4	Fig. 15.3
SEAT MOTORS – PASSENGER	Fig. 14.5	SIDE MARKER LAMPS	Fig. 09.1
.....	Fig. 14.6	Fig. 09.2
.....	Fig. 14.7	SLIDING ROOF CONTROL MODULE	Fig. 17.1
.....	Fig. 14.8	Fig. 17.2
.....	Fig. 14.9	SLIDING ROOF MOTOR	Fig. 17.1
SEAT MOTOR – PASSENGER (RAISE / LOWER SEAT VEHICLES)	Fig. 14.10	Fig. 17.2
SEAT RECLINE SWITCHES – PASSENGER, REAR	Fig. 10.3	SLIDING ROOF SWITCH	Fig. 17.1
.....	Fig. 14.6	Fig. 17.2
.....	Fig. 14.8	SOLAR SENSOR	Fig. 12.1
SEAT SQUAB – DRIVER	Fig. 14.1	Fig. 12.2
.....	Fig. 14.2	SPEAKER (COLUMN SWITCHGEAR)	Fig. 11.3
.....	Fig. 14.3	SPEED CONTROL BRAKE SWITCH	Fig. 08.1
.....	Fig. 14.4	SPEED CONTROL CONTROL MODULE	Fig. 08.1
SEAT SQUAB – PASSENGER	Fig. 14.5	SPEED CONTROL SWITCHES	Fig. 08.1
.....	Fig. 14.6	STARTER MOTOR	Fig. 03.1
.....	Fig. 14.7	Fig. 03.2
.....	Fig. 14.8	Fig. 03.3
.....	Fig. 14.9	Fig. 03.4
.....	Fig. 14.10	STEERING COLUMN MOTORS	Fig. 13.2
.....	Fig. 14.11	Fig. 13.3
SEAT SQUAB – LH REAR	Fig. 14.12	SUBWOOFER	Fig. 18.2
.....	Fig. 14.13	Fig. 18.3
SEAT SQUAB – RH REAR	Fig. 14.12	SUNVISOR LAMPS	Fig. 10.1
.....	Fig. 14.13	SUPERCHARGER INTERCOOLER COOLANT PUMP	Fig. 07.1
SEAT SWITCH PACK – DRIVER	Fig. 14.1	SUPPRESSION MODULE	Fig. 03.1
.....	Fig. 14.2	Fig. 03.2
.....	Fig. 14.3	Fig. 03.3
SEAT SWITCH PACK – DRIVE (RAISE / LOWER SEAT VEHICLES)	Fig. 14.4	Fig. 03.4
SEAT SWITCH PACK – PASSENGER	Fig. 14.5	TAIL LAMP UNITS	Fig. 09.2
.....	Fig. 14.6	Fig. 09.3
.....	Fig. 14.7	Fig. 09.4
.....	Fig. 14.8	TELEPHONE ANTENNA	Fig. 18.1
.....	Fig. 14.9	Fig. 18.2
SEAT SWITCH PACK – PASSENGER (SEAT RAISE / LOWER VEHICLES)	Fig. 14.10	Fig. 18.3
SECONDARY AIR INJECTION CLUTCH	Fig. 04.5	TELEPHONE HANDSET	Fig. 18.1
.....	Fig. 04.7	Fig. 18.2
SECONDARY AIR INJECTION PUMP	Fig. 04.1	Fig. 18.3
.....	Fig. 04.2	TELEPHONE TRANSCEIVER	Fig. 18.1
.....	Fig. 04.3	Fig. 18.2
SECONDARY AIR INJECTION SWITCHING VALVE	Fig. 04.5	Fig. 18.3
.....	Fig. 04.7	THROTTLE POSITION SENSOR (AJ16)	Fig. 04.1
SECURITY AND LOCKING CONTROL MODULE	Fig. 03.1	Fig. 04.2
.....	Fig. 03.2	Fig. 04.3
.....	Fig. 03.3	THROTTLE POSITION SENSOR (V12)	Fig. 04.4
.....	Fig. 03.4	Fig. 04.6
.....	Fig. 15.1	TORQUE CONVERTER CLUTCH SOLENOID	Fig. 05.2
.....	Fig. 15.2	Fig. 05.4
.....	Fig. 15.3		
.....	Fig. 15.4		
.....	Fig. 15.5		
.....	Fig. 21.1		



TRACTION CONTROL ACTUATOR (LHD)	Fig. 06.1
TRACTION CONTROL ACTUATOR (RHD)	Fig. 06.2
TRANSMISSION CONTROL MODULE (AJ16 NA)	Fig. 05.1
.....	Fig. 21.1
TRANSMISSION CONTROL MODULE (V12 & AJ16 SC)	Fig. 05.2
.....	Fig. 05.4
.....	Fig. 21.1
TRANSMISSION SOLENOID VALVES	Fig. 05.1
TRANSMISSION TEMPERATURE SENSOR	Fig. 05.2
.....	Fig. 05.4
TRIP CYCLE (COLUMN SWITCHGEAR)	Fig. 11.1
TRUNK LAMPS	Fig. 10.1
TRUNK RELEASE ACTUATOR	Fig. 15.1
.....	Fig. 15.2
.....	Fig. 15.3
TRUNK RELEASE SWITCH	Fig. 15.1
.....	Fig. 15.2
.....	Fig. 15.3
TRUNK SWITCH	Fig. 10.1
.....	Fig. 11.2
.....	Fig. 15.4
.....	Fig. 15.5
TWEETERS	Fig. 18.1
.....	Fig. 18.2
.....	Fig. 18.3
VACUUM PUMP AND CONTROL VALVE	Fig. 08.1
VALET SWITCH	Fig. 15.1
.....	Fig. 15.2
.....	Fig. 15.3
.....	Fig. 15.4
.....	Fig. 15.5
VARIABLE FORCE MOTOR	Fig. 05.2
.....	Fig. 05.4
VARIABLE POWER STEERING CONTROL MODULE	Fig. 13.1
VARIABLE STEERING CONVERTER	Fig. 13.1
VENT SERVO	Fig. 12.1
.....	Fig. 12.2
WASH / WIPE SWITCHES (COLUMN SWITCHGEAR)	Fig. 16.1
WASHER FLUID LEVEL SWITCH	Fig. 11.2
.....	Fig. 16.1
WHEEL SPEED SENSORS	Fig. 06.1
.....	Fig. 06.2
WINDOW LIFT MOTORS	Fig. 17.1
.....	Fig. 17.2
WINDOW LIFT SWITCH PACKS	Fig. 17.1
.....	Fig. 17.2
WINDSHIELD HEATERS	Fig. 12.3
WINDSHIELD WASH HEATERS	Fig. 16.1
WINDSHIELD WASH PUMP	Fig. 16.1
WIPER MOTOR	Fig. 16.1



Figure and Data Page Layout

Figure Pages

Each Figure represents a specific electrical system of the vehicle. The Figures are arranged numerically by system (**01 – Power Distribution, 02 – Ground Distribution, etc.**) with variations in the system identified by a numeral following a decimal point (**01.1, 01.2, etc.**). Refer to the Table of Contents for a complete list of the Figures.

The Figures **01 – Power Distribution** detail the distribution of power to each of the systems. Numbered reference symbols refer the user to a specific Figure and from a specific Figure back to the Power Distribution Figures. This eliminates the need to include detailed Power Distribution information on each of the Figures. Similarly, the Figures **02 – Ground Distribution** detail the vehicle ground distribution. The reference symbols are defined on page 15.

Each Figure appears on a right-hand page with a corresponding Data page to the left. The Figure and Data pages are folding pages. The user must fold out both pages in order to access all the information provided.

Data Pages

The Data page includes information to assist the user in identifying and locating components, connectors and grounds. This information is supplemented by the illustrations in this front section of the book.

In addition, where circuits include a Control Module, Pin Out information is provided with values for “active” and “inactive” states. The values listed are approximately those that can be expected at the control module connector pins with all circuit connections made and all components connected and fitted. “Active” means a load is applied or a switch is ON; “inactive” means a load is not applied or a switch is OFF. This information is provided to assist the user in understanding circuit operation and should be used FOR REFERENCE ONLY.

Samples of the Figure and Data pages are shown on the following page.



CONTROL MODULE PIN OUT INFORMATION

FIGURE NUMBER

COMPONENT, RELAY, CONNECTOR AND GROUND INFORMATION

CONTROL MODULE PIN OUT INFORMATION

ENGINE CONTROL MODULE (AJ15)

Pin	Description	Active	Inactive
A	FUEL INJECTOR VOLT	(GROUND)	EL
B	FUEL INJECTOR SIGNAL	(GROUND)	EL

BODY PROCESSOR MODULES

Pin	Description	Active	Inactive
F101	STARTER RELAY SIGNAL	(GROUND)	EL
F102	SECURE STATUS INPUT FROM SECURITY AND LOCKING CONTROL MODULE	(GROUND)	EL
F103	SECURE STATUS OUTPUT FROM SECURITY AND LOCKING CONTROL MODULE	(GROUND)	EL
F104	LOCKING CONTROL INPUT	(GROUND)	EL
F105	LOCKING CONTROL OUTPUT	(GROUND)	EL
F106	SECURITY AND LOCKING CONTROL SIGNAL	(GROUND)	EL

SECURITY AND LOCKING CONTROL MODULE

Pin	Description	Active	Inactive
A	SECURE STATUS OUTPUT TO BODY PROCESSOR MODULE	(GROUND)	EL
B	SECURE STATUS INPUT FROM BODY PROCESSOR MODULE	(GROUND)	EL
C	SECURE STATUS OUTPUT FROM BODY PROCESSOR MODULE	(GROUND)	EL

The following symbols are used to represent values for Control Module Pin Out data:

I Input	B Battery voltage
O Output	V Voltage (DC)
SG Signal Ground	F Frequency
D Serial and encoded communications	KHz Frequency x 1000
	MV Millivolts

CAUTION: The information on this data page is furnished to aid the user in understanding default operations. THIS INFORMATION SHOULD BE USED FOR REFERENCE ONLY.

NOTE: The values listed are approximately those that can be expected at the control module connector pins with all accessories connected and "Active" means a load is applied or a switch is ON, "Inactive" means a load is not applied or a switch is OFF.

Fig. 03.1

COMPONENTS

Component	Connector / Type / Color	Location / Access
STARTER MOTOR	Pin 101, 102, 103, 104, 105, 106	UNDER HOOD, FRONT ENGINE COMPARTMENT
STARTER RELAY	Pin 101, 102, 103, 104, 105, 106	UNDER HOOD, FRONT ENGINE COMPARTMENT
SECURITY AND LOCKING CONTROL MODULE	Pin 101, 102, 103, 104, 105, 106	UNDER HOOD, FRONT ENGINE COMPARTMENT
STARTER MOTOR	Pin 101, 102, 103, 104, 105, 106	UNDER HOOD, FRONT ENGINE COMPARTMENT
STARTER RELAY	Pin 101, 102, 103, 104, 105, 106	UNDER HOOD, FRONT ENGINE COMPARTMENT

RELAYS

Relay	Color / Style	Connector / Color	Location / Access
STARTER RELAY	Black / Round	101, 102, 103, 104, 105, 106	UNDER HOOD, FRONT ENGINE COMPARTMENT

HARNESSES-TO-HARNESSES CONNECTORS

Connector	Type / Color	Location / Access
C10	3 WAY SEATTLE AND 10 PIN	UNDER HOOD, FRONT ENGINE COMPARTMENT
F10	3 WAY SEATTLE AND 10 PIN	UNDER HOOD, FRONT ENGINE COMPARTMENT
G10	3 WAY SEATTLE AND 10 PIN	UNDER HOOD, FRONT ENGINE COMPARTMENT
H10	3 WAY SEATTLE AND 10 PIN	UNDER HOOD, FRONT ENGINE COMPARTMENT
I10	3 WAY SEATTLE AND 10 PIN	UNDER HOOD, FRONT ENGINE COMPARTMENT

GROUND

Ground	Location / Type
GND	UNDER HOOD, FRONT ENGINE COMPARTMENT
GND	UNDER HOOD, FRONT ENGINE COMPARTMENT
GND	UNDER HOOD, FRONT ENGINE COMPARTMENT

REFER TO THE FRONT OF THE BOOK FOR ILLUSTRATIONS DETAILING THE LOCATION AND IDENTIFICATION OF COMPONENTS, RELAYS, CONNECTORS, HARNESSES, GROUNDING, VEHICLE ELECTRICAL SCHEMATIC AND CONTROL MODULE PINS.

DATE OF ISSUE: NOVEMBER 1996

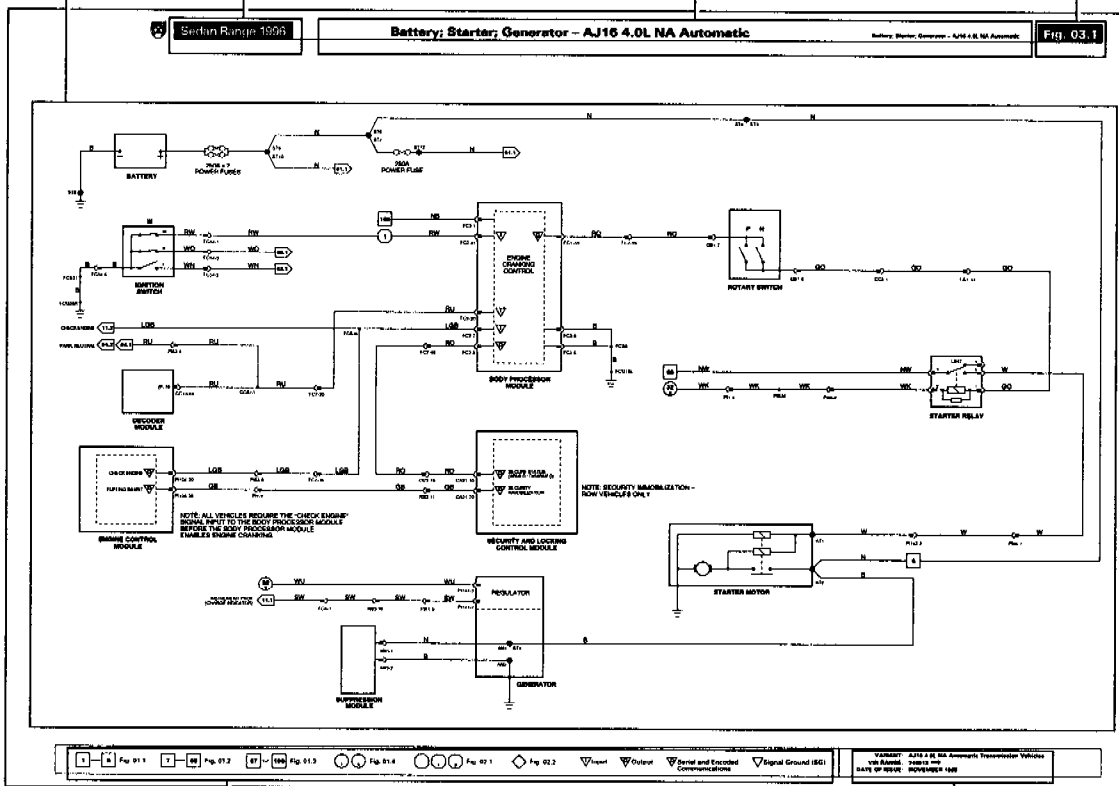
DATE OF ISSUE

DATA PAGE

FIGURE MODEL RANGE AND YEAR

TITLE

FIGURE NUMBER



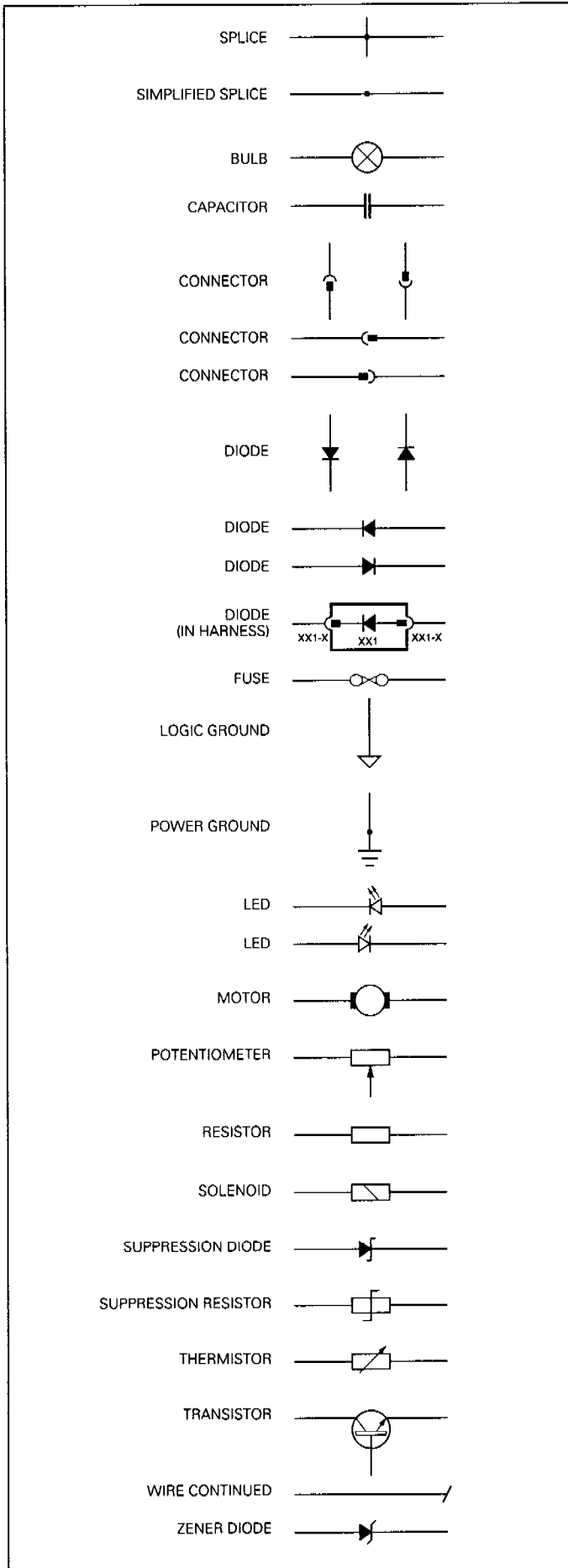
KEY TO REFERENCE SYMBOLS

FIGURE PAGE

VARIANT, VIN RANGE AND DATE OF ISSUE



Wiring Symbols



Wiring Color Codes

N	Brown	O	Orange
B	Black	S	Slate
W	White	L	Light
K	Pink	U	Blue
G	Green	P	Purple
R	Red	BRD	Braid
Y	Yellow		

When a wire has two or more color code letters, the first letter indicates the main color and the subsequent letter(s) indicate the tracer color(s).

Wiring Harness Codes

Code	Description
AB	Air bag
AN	Generator suppression
BB	Rear powered seat
BL	Front bumper – left
BR	Front bumper – right
BS	Rear seat
BT	Boot (trunk)
CA	Cabin
CC	Center console
CF	Cooling fan link
CL	Air bag impact sensor link – left
CR	Air bag impact sensor link – right
CS	Clutch shorting link
CV	Canister valve
DD	Driver door
DL	Non dead locking shorting link
EL	Evaporation pressure sensor link
FC	Facia
FU	Fuel pump
GB	Automatic transmission
GI	Glove box link
IC	In-car entertainment
LL	Variable steering converter
LS	Left forward
ML	Manual seat link
OL	Octane select link
PD	Passenger door – front
PI	Engine management
PL	Powered seat link
RD	Rear door (suffix L – left, suffix R – right)
RF	Roof security
RS	Right forward
RT	Radio telephone
SA	Starter solenoid
SH	Front screen (windshield) heater
SL	Starter solenoid link
SM	Memory seat
SR	Side marker link (rear)
TL	Tail lamps
TS	Traction shorting link



NOTE: In the examples shown on these pages, an 'X' is used where a number would appear on an actual Figure.

Harness Component Numbers

Connectors

HARNESS CODE + CONNECTOR NUMBFR + PIN NUMBER

EXAMPLE: FC7-24 (pin number is separated by a dash)

NOTE: Door harnesses use common connector numbers with D, P, L or R added to indicate the door – Driver, Passenger, Left rear, Right rear.

Splices

HARNESS CODE + S + IDENTIFICATION NUMBER

EXAMPLE: CAS3 (no dash is used)

NOTE: In order to avoid unnecessary circuit complication, multiple splices (more than two wires) within components, in wires leading from input components to multiple circuits and in harness 'ground' sides are simplified so as not to show wires from other circuits.

EXAMPLE:

Grounds

HARNESS CODE + G + IDENTIFICATION NUMBER

EXAMPLE: BTG14 (no dash is used)

NOTE: Ground identifications that include 'L' or 'R' after the number indicate that the eyelet has two 'legs'. The 'L' or 'R' identifies the particular leg of the eyelet to which the wire is connected.

Diodes

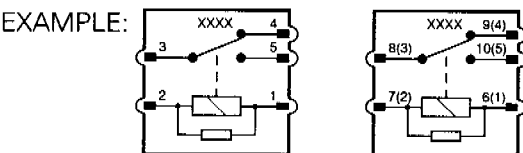
Harness diodes occur at connectors and are depicted as components and identified by a connector number.

EXAMPLE:

Relay Connectors

Relay connector numbers are shown within the relay. The harness code is shown in the upper portion of the relay; the pin (terminal) number is shown adjacent to the pin.

NOTE: Certain relays are paired and share a modular connector. In this instance, the relay terminal code is included in parentheses.





Reference Symbols

Reference symbols are used for three purposes:

- to allow the user to complete the individual system circuit to power supply or ground
- to refer the user to a related circuit
- to identify control module inputs, outputs and signal grounds

Battery Power Supply

This symbol represents a direct battery power supply and refers the user to Figure 01.1, 01.2 or 01.3.

Ignition Switched Power Supply

This symbol represents ignition switched power supply and refers the user to Figure 01.4.

The suffix I indicates auxiliary power. Power is supplied in ignition switch key positions I (AUXILIARY) and II (IGNITION).
The suffix II indicates ignition power. Power is supplied in ignition switch key positions II (IGNITION) and III (ENGINE CRANK).

Ignition Switched Ground

This symbol represents an ignition switched ground and refers the user to Figure 02.1.

No suffix indicates CRANK. Ground is completed in ignition switch key position III (ENGINE CRANK).

The suffix I indicates auxiliary ground. Ground is completed in ignition switch key positions I (AUXILIARY) and II (IGNITION).
The suffix II indicates ignition ground. Ground is completed in ignition switch key positions II (IGNITION) and III (ENGINE CRANK).

Logic Ground

This symbol represents a logic ground and refers the user to Figure 02.2.

Figure Number Reference Flag

This symbol refers the reader to a figure number only. It does not refer to a flag with the same number on a different figure. As used in Figures 01.1 through 02.2, the reference flag refers the user to a continuation of the circuit. In this instance, the user matches the number to a Power Supply or Ground symbol to trace the circuit.

In most other cases, it is not necessary to refer to another figure for completion of a circuit, as the reference flags are used to indicate parallel circuits and circuits that share components. Most of the circuits where this situation occurs are overlapped to avoid the necessity for cross-referencing to another figure. Exceptions to this rule are instances where signals are transmitted to or received from other system circuits.

BPM Because the Body Processor Module appears numerous times, the abbreviation BPM is used in the reference flag on Figure 01.3 in order to conserve space.

Control Module Input, Output, Data Line and Signal Ground



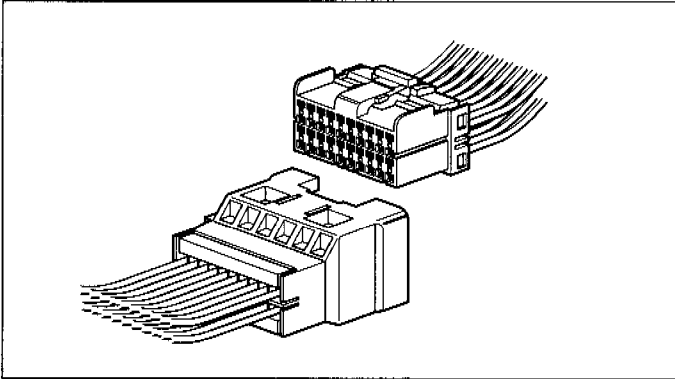
These four symbols are employed to assist the user in visualizing the 'logic' of circuits containing control modules. The symbols identify control module input, output, data line and signal ground pins. These symbols are also employed on the corresponding data page.



The following connectors are the common harness-to-harness connectors used throughout the vehicle.

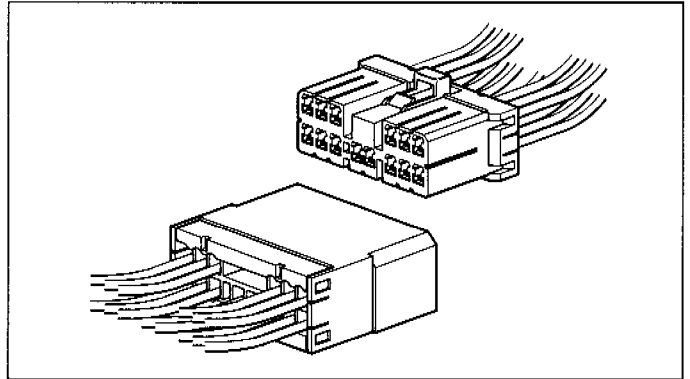
Multilock 040

Low current (used as harness and 'direct' connection connector).



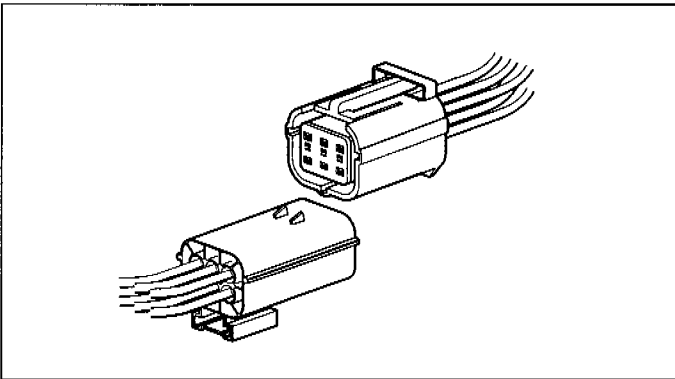
Multilock 070

High current (used as harness and 'direct' connection connector).



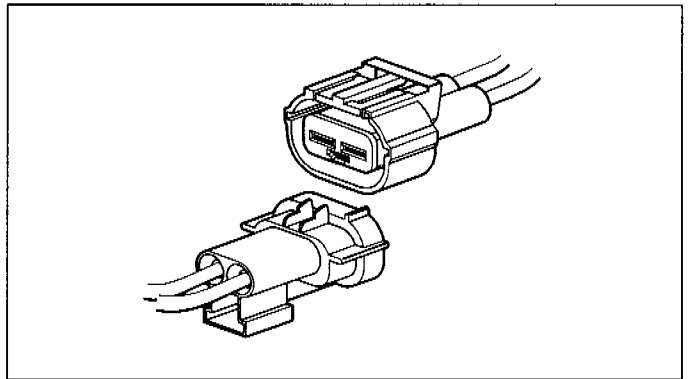
Econoseal III LC

Low current sealed connector.



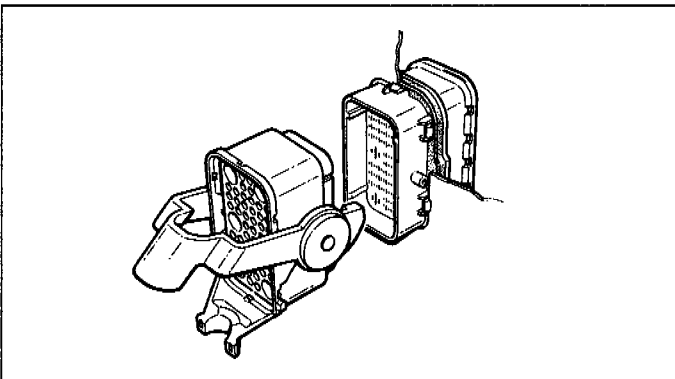
Econoseal III HC

High current sealed connector.



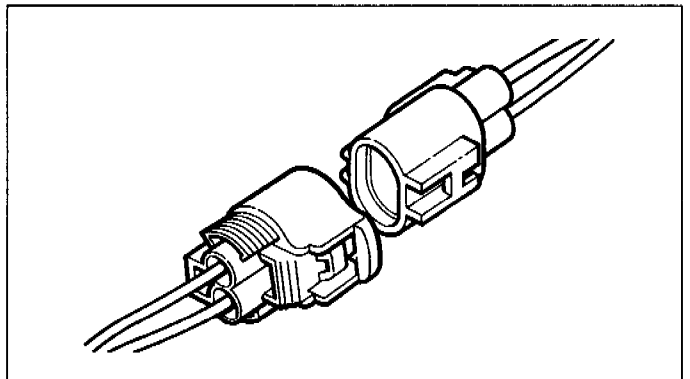
Through-Panel

48 low-current pins / 6 high-current pins.



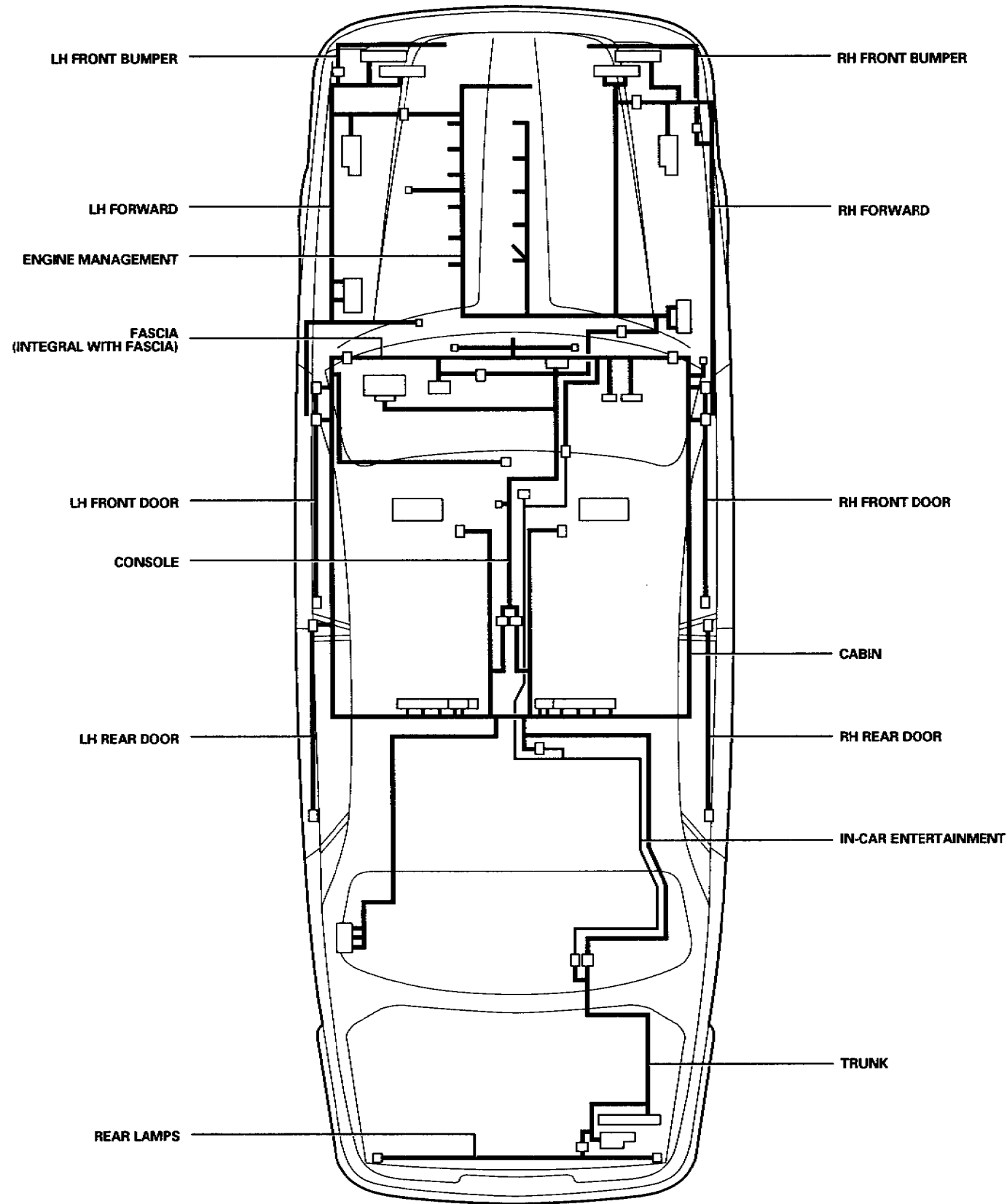
Ford Card

Used for SRS only.

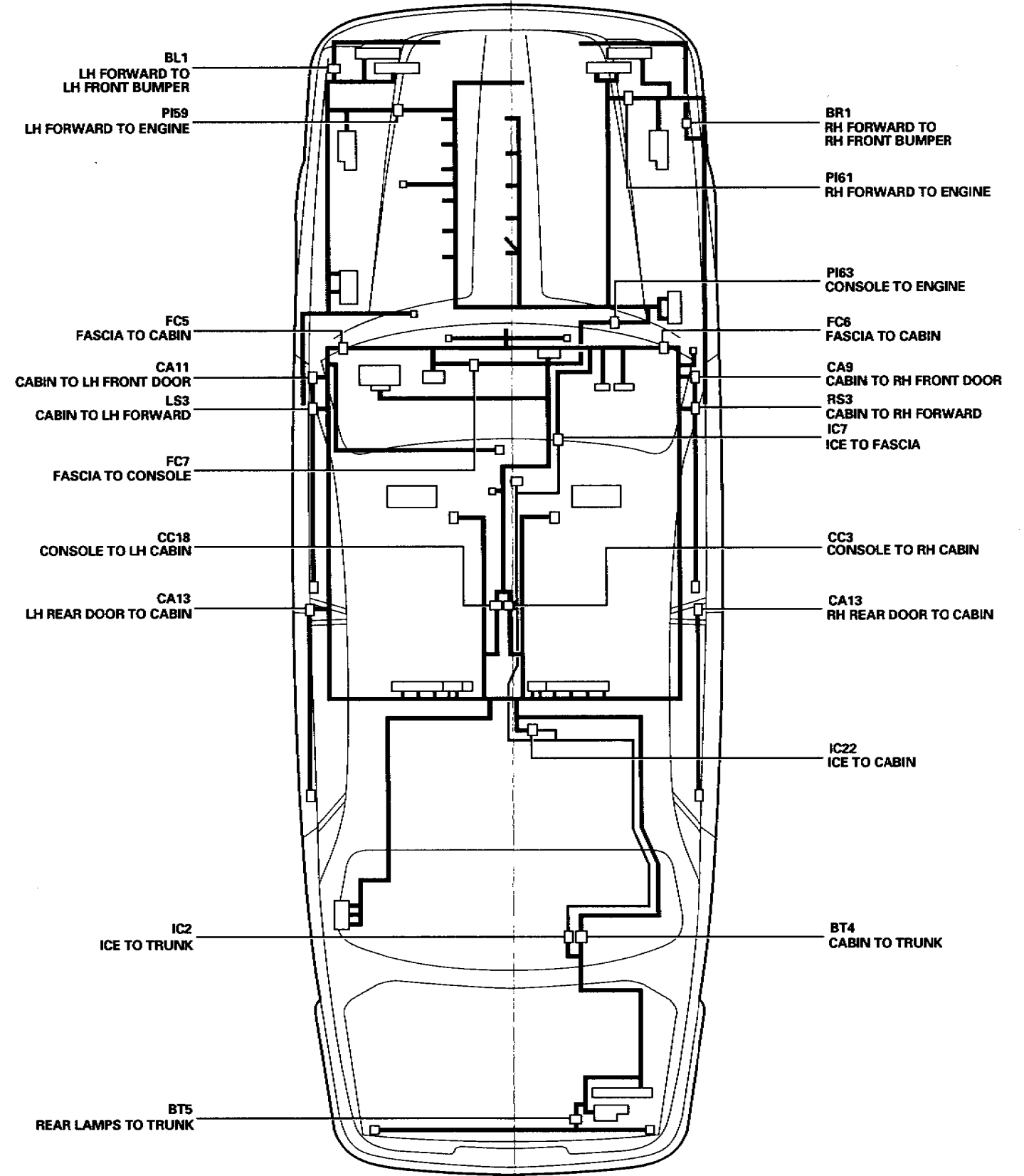


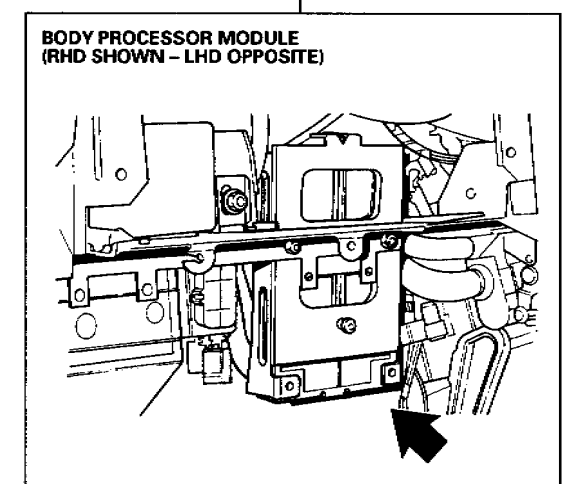
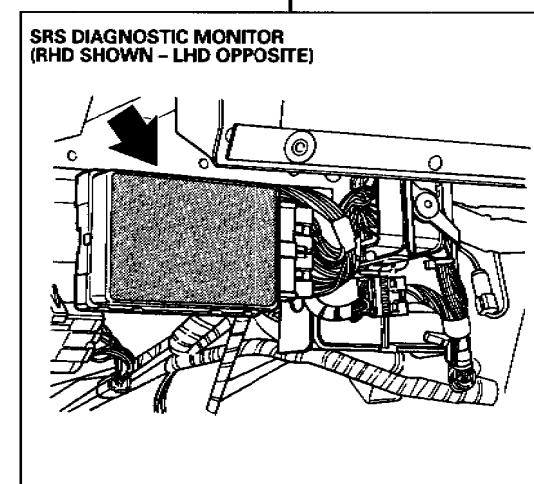
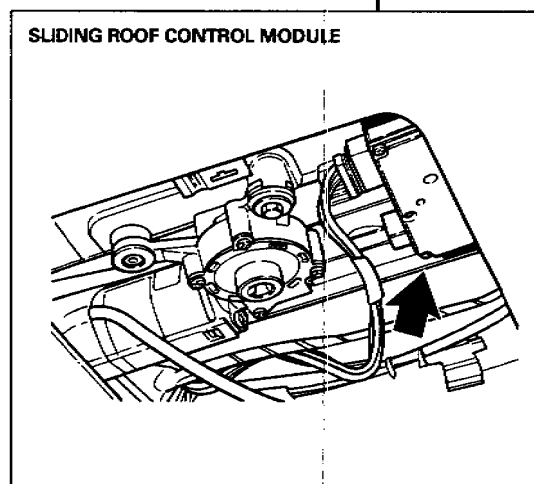
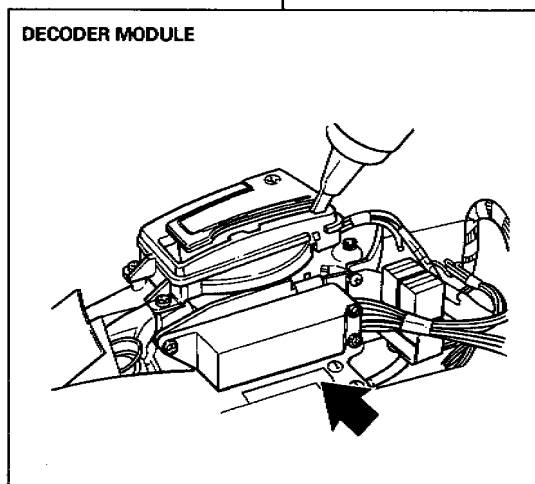
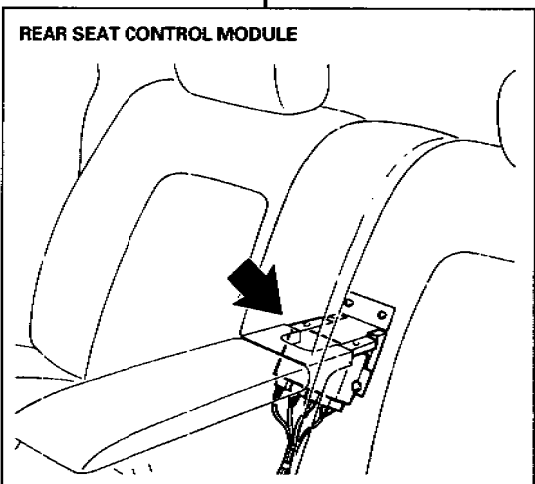
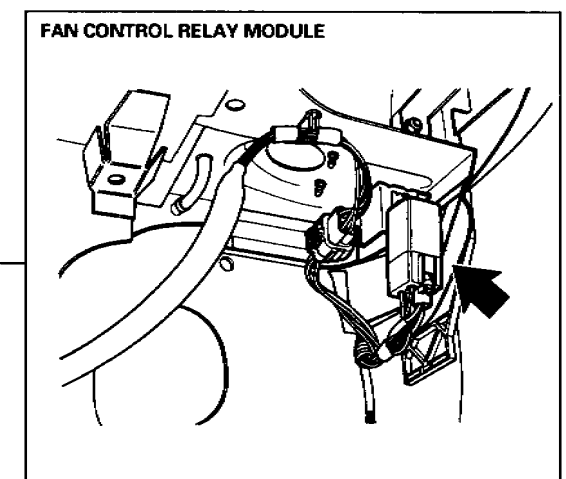
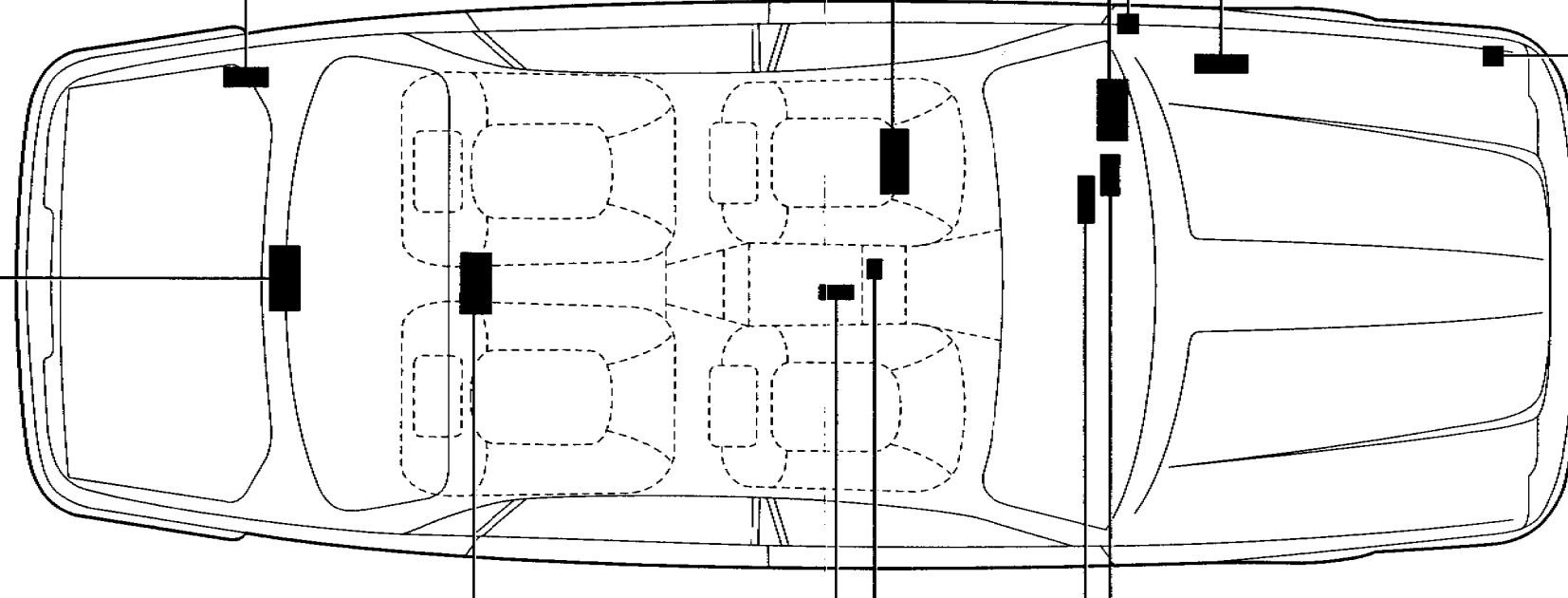
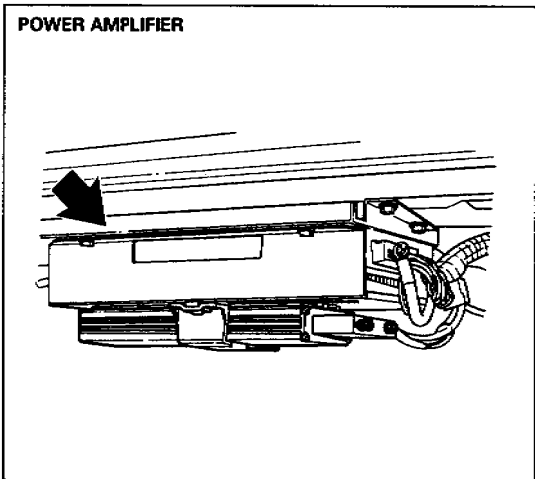
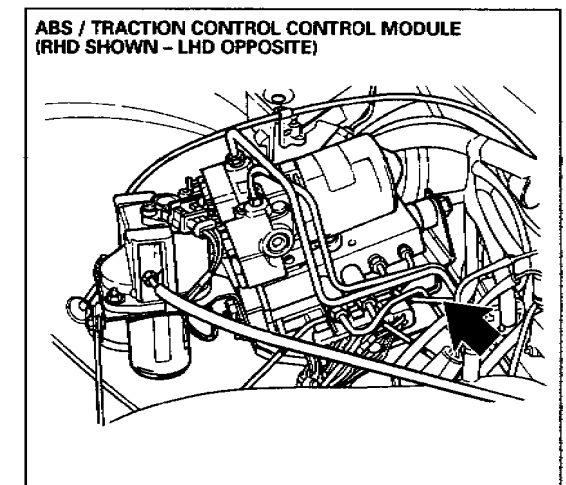
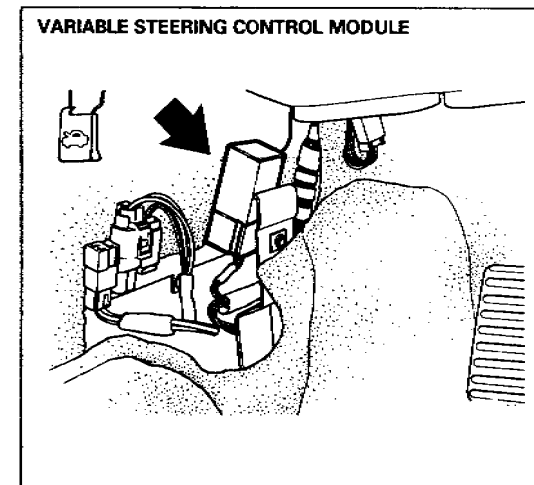
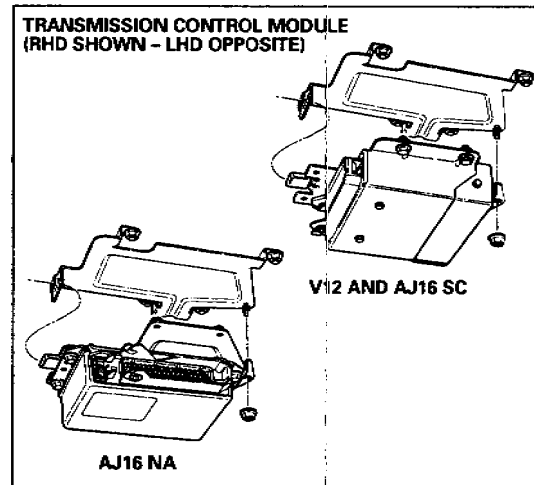
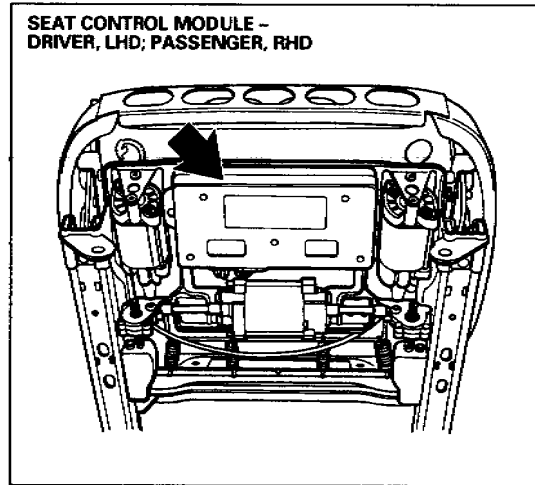
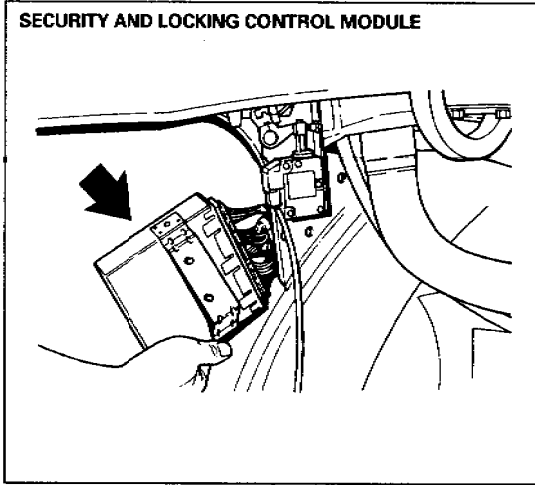


HARNES LAYOUT



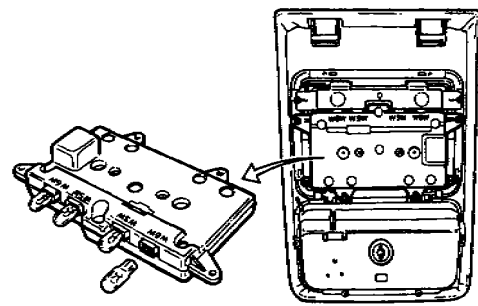
HARNES CONNECTORS



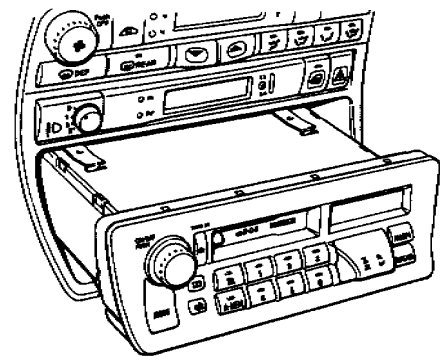




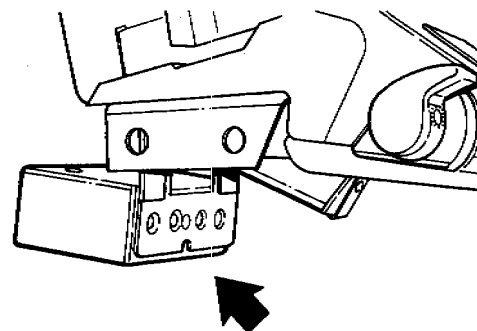
UNIVERSAL GARAGE DOOR OPENER



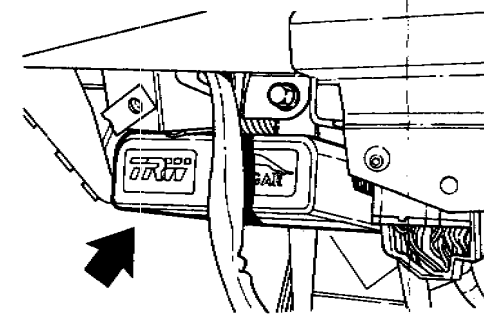
RADIO CASSETTE



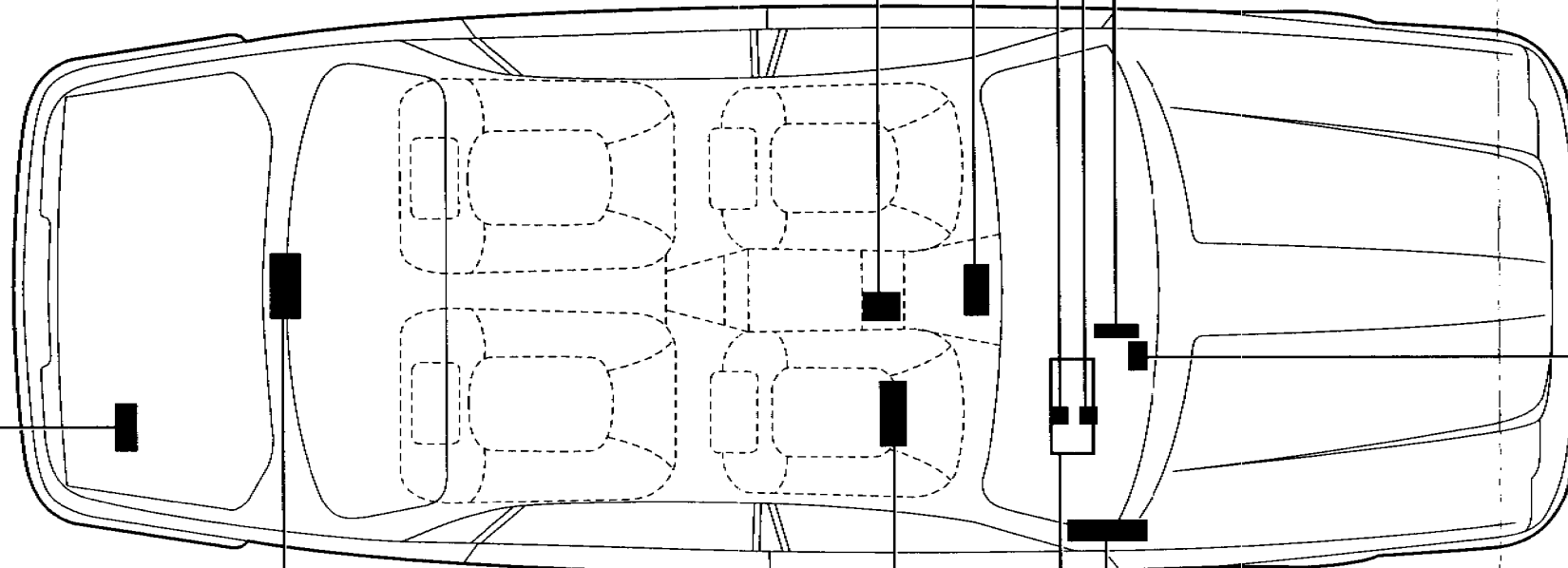
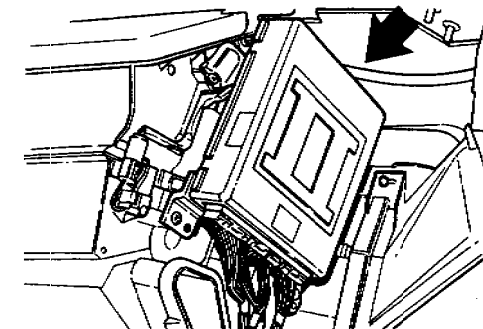
READER / EXCITER CONTROL MODULE
(RHD SHOWN - LHD OPPOSITE)



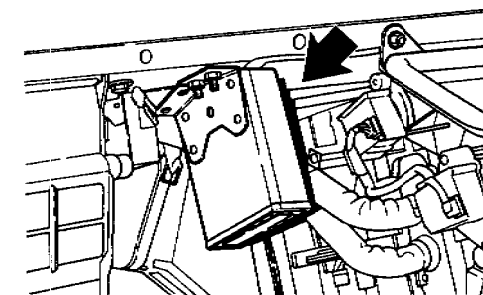
COLUMN / MIRROR MOVEMENT CONTROL MODULE
(RHD SHOWN - LHD OPPOSITE)



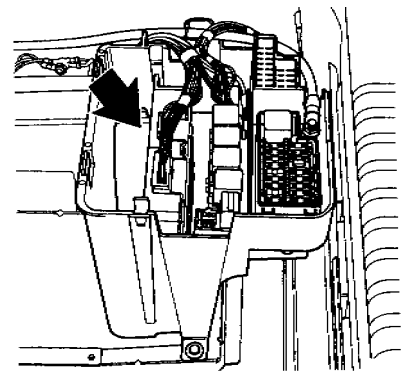
AIR CONDITIONING CONTROL MODULE



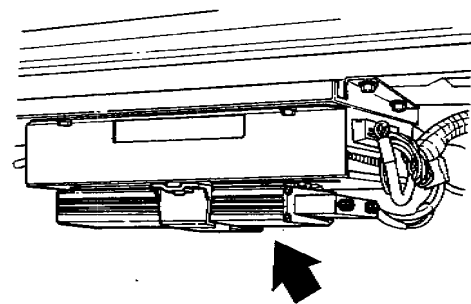
SPEED CONTROL CONTROL MODULE
(RHD SHOWN - LHD OPPOSITE)



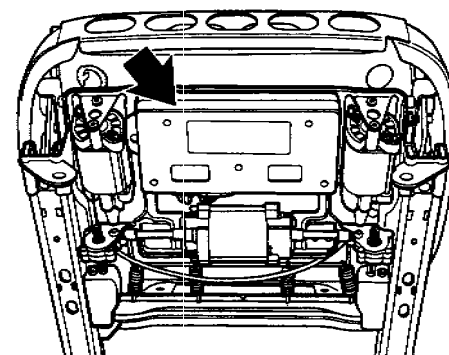
LAMP CONTROL MODULE



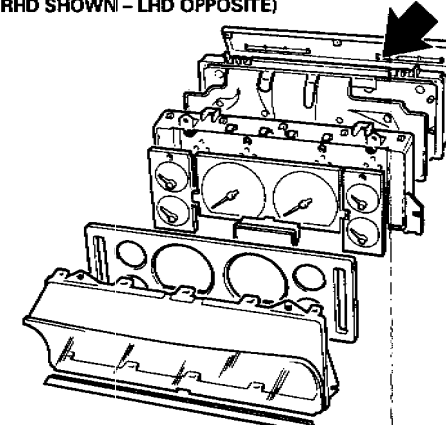
TELEPHONE TRANSCEIVER
(BENEATH POWER AMPLIFIER)



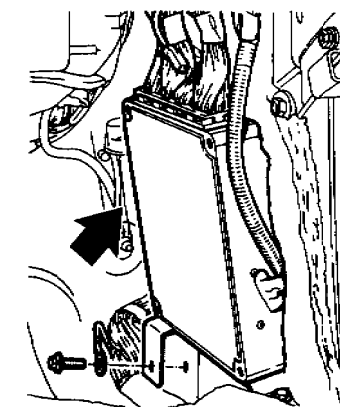
SEAT CONTROL MODULE -
DRIVER, RHD; PASSENGER, LHD



INSTRUMENT PACK
(RHD SHOWN - LHD OPPOSITE)

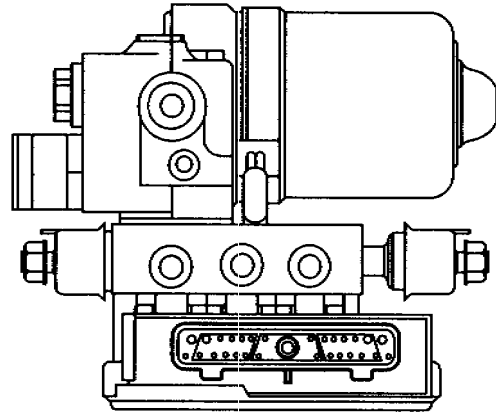


ENGINE CONTROL MODULE
(V12 SHOWN - AJ16 SAME LOCATION)





ABS / TRACTION CONTROL CONTROL MODULE

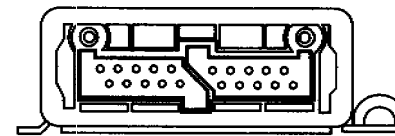


LHD - RS27; RHD - LS27

RS27, LS27 / 28-WAY / SLATE

14	13	12	11	10	9	8	7	6	5	4	3	2	1
B	B	BS	BW	BK	BR	BY	BO	BG	BU	SR	RP	NO	NS
28	27	26	25	24	23	22	21	20	19	18	17	16	15
O	P	U	Y	GK	RG	B	RB	PU	—	RN	N	S	WR

SPEED CONTROL CONTROL MODULE

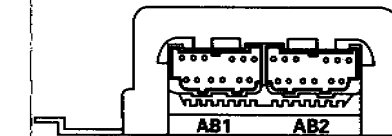


FC17

FC17 / 20-WAY / BLACK

1	2	3	4	5	6	7	8	9	10
WU	—	PG	—	—	UP	—	—	SR	UR
11	12	13	14	15	16	17	18	19	20
B	PY	—	UG	PU	—	SU	SB	—	UY

SRS DIAGNOSTIC MONITOR



AB1 AB2

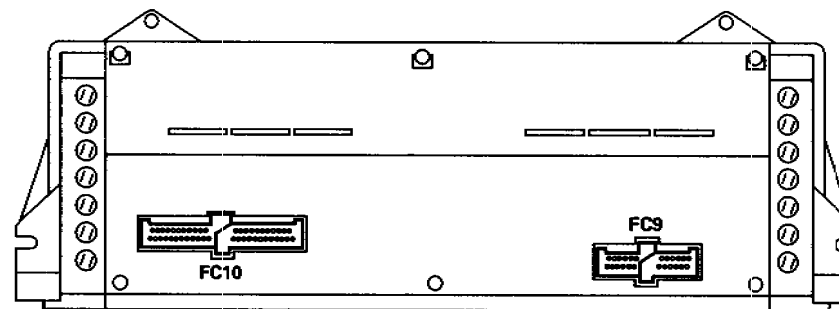
AB1 / 12-WAY / SLATE

6	5	4	3	2	1
YU	B	YW	B	ON	LGS
12	11	10	9	8	7
KG	KU	RG	RN	—	RW

AB2 / 12-WAY / BLACK

6	5	4	3	2	1
YG	RP	KN	KP	RP	—
12	11	10	9	8	7
—	YP	—	OW	OP	—

INSTRUMENT PACK



FC10

FC9

FC10 / 48-WAY / BLACK

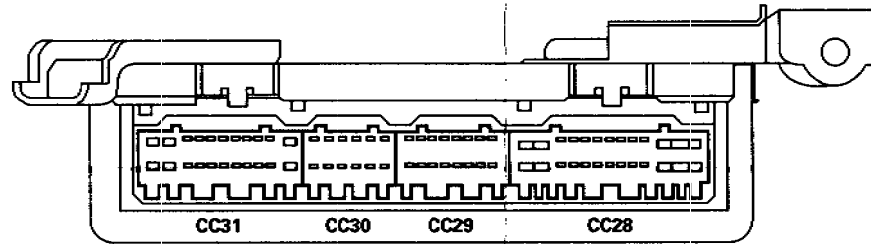
1	2	3	4	5	6	7	8	9	10	11	12	13	14	15	16	17	18	19	20	21	22	23	24
—	U	UP	SU	—	—	—	—	SW	BY	—	O	OR	GU	SP	RY	OY	V	—	—	—	LGB	UR	UP
25	26	27	28	29	30	31	32	33	34	35	36	37	38	39	40	41	42	43	44	45	46	47	48
—	—	—	—	—	—	—	—	—	—	RG	Y	OP	RLG	—	YP	YG	R	KS	S	YW	G	P	—

FC9 / 24-WAY / BLACK

1	2	3	4	5	6	7	8	9	10	11	12
KR	WO	B	B	NR	LGS	RB	—	—	RO	—	—
13	14	15	16	17	18	19	20	21	22	23	24
O	K	GK	—	—	—	OK	BW	OS	SG	—	PY



AIR CONDITIONING CONTROL MODULE



CC31 / 22-WAY / SLATE

12	13	14	15	16	17	18	19	20	21	22
WR	B	B	GW	UP	UB	LGW	BW	BK	O	—
1	2	3	4	5	6	7	8	9	10	11
WP	GY	WN	WU	NY	PY	—	P	UN	K	PW

CC30 / 12-WAY / SLATE (AJ16 NA)

7	8	9	10	11	12
SY	SR	—	B	UB	KU
1	2	3	4	5	6
ULG	S	SG	—	OY	UG

CC29 / 16-WAY / SLATE

9	10	11	12	13	14	15	16
OU	OR	Y	UY	—	—	UK	GP
1	2	3	4	5	6	7	8
OP	RG	YW	—	SU	SG	US	GO

CC28 / 26-WAY / SLATE

14	15	16	17	18	19	20	21	22	23	24	25	26
KR	KS	LGN	RW	LGP	RU	SR	Y	NR	—	—	UR	GU
1	2	3	4	5	6	7	8	9	10	11	12	13
RLG	U	UY	PS	KW	RY	PR	PY	RB	—	—	UW	UO

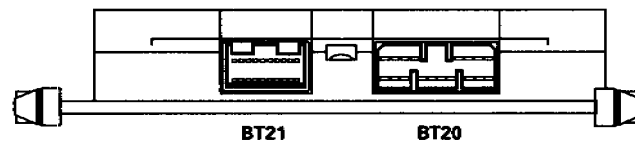
CC30 / 12-WAY / SLATE (AJ16 SC)

7	8	9	10	11	12
SY	SR	—	W	UB	KU
1	2	3	4	5	6
ULG	S	SG	—	OY	UG

CC30 / 12-WAY / SLATE (V12)

7	8	9	10	11	12
SY	SR	—	—	UB	KU
1	2	3	4	5	6
ULG	S	SG	SB	OY	UG

LAMP CONTROL MODULE



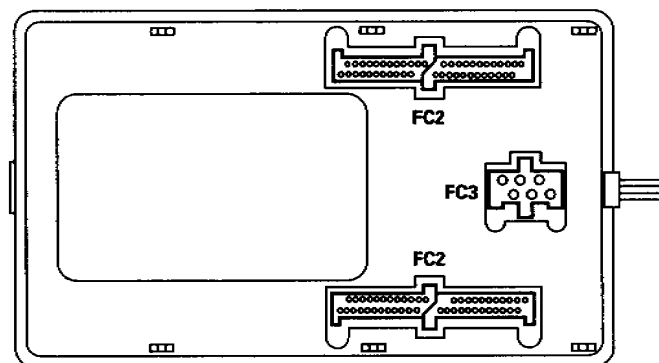
BT21 / 20-WAY / BLACK

10	9	8	7	6	5	4	3	2	1
PG	RG	UG	PW	KR	YU	—	YO	YG	YK
20	19	18	17	16	15	14	13	12	11
RK	WS	KU	R	KG	YS	PU	KS	SLG	RU

BT20 / 18-WAY / WHITE

8	7	6	5	4	3	2	1		
GO	GU	NY	NG	Y	GP	GY	PY		
18	17	16	15	14	13	12	11	10	9
NP	NO	G	GW	U	B	NLG	NK	GN	NU

BODY PROCESSOR MODULE



FC2 / 48-WAY / BLACK (LHD)

1	2	3	4	5	6	7	8	9	10	11	12
RY	SK	ULG	UP	RO	PO	LGB	—	—	KR	—	OY
13	14	15	16	17	18	19	20	21	22	23	24
—	LGY	—	US	—	—	YU	—	RU	—	OR	SG
25	26	27	28	29	30	31	32	33	34	35	36
BO	LGP	YR	YLG	GR	P	WY	RY	PR	KG	PU	—
37	38	39	40	41	42	43	44	45	46	47	48
PG	OP	LGG	OLG	RW	KU	RLG	KU	P.LG	YN	LGR	UR

FC2 / 48-WAY / BLACK (RHD)

1	2	3	4	5	6	7	8	9	10	11	12
RY	SK	ULG	UP	RO	PO	LGB	—	—	KR	—	OY
13	14	15	16	17	18	19	20	21	22	23	24
—	LGY	—	US	—	—	YU	—	RU	—	OR	SG
25	26	27	28	29	30	31	32	33	34	35	36
BO	LGP	YR	YLG	GR	P	WY	RY	PR	KG	PU	—
37	38	39	40	41	42	43	44	45	46	47	48
PG	OY	LGG	OLG	RW	KU	RLG	KU	P.LG	YN	LGR	UR

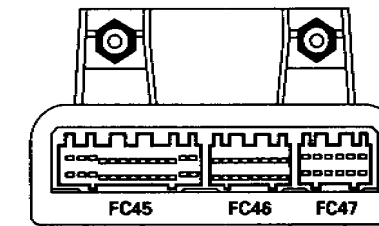
FC1 / 48-WAY / YELLOW

1	2	3	4	5	6	7	8	9	10	11	12
—	—	—	—	—	—	—	—	—	—	—	OU
13	14	15	16	17	18	19	20	21	22	23	24
W	R	OP	GY	YS	RO	YU	—	GR	GB	OW	RLG
25	26	27	28	29	30	31	32	33	34	35	36
RW	SP	YP	OG	UK	UC	BU	UP	RC	LGY	US	YB
37	38	39	40	41	42	43	44	45	46	47	48
BN	YP	*	LGN	*	OW	—	—	RU	Y	RU	—

FC3 / 6-WAY / BLACK

1	2	3
NB	—	O
4	5	6
K	B	B

COLUMN / MIRROR MOVEMENT CONTROL MODULE



FC45 / 26-WAY / SLATE

13	12	11	10	9	8	7	6	5	4	3	2	1
OG	PLG	ON	OB	SN	OR	YN	YR	SK	PU	—	PR	PN
26	25	24	23	22	21	20	19	18	17	16	15	14
BS	PG	WU	—	WN	UR	—	KS	UN	UP	JS	WG	BR

FC46 / 16-WAY / SLATE

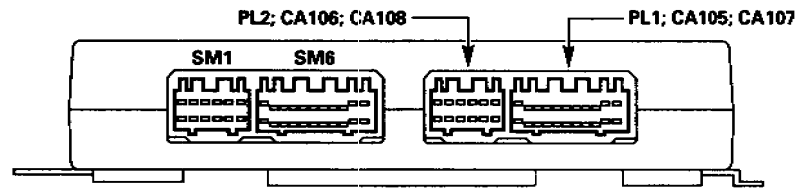
8	7	6	5	4	3	2	1
US	YB	SLG	PS	YO	OK	YK	OU
16	15	14	13	12	11	10	9
—	—	—	—	—	KN	PG	OY

FC47 / 12-WAY / SLATE

6	5	4	3	2	1
NO	O	K	—	B	NB
12	11	10	9	8	7
—	—	—	—	—	—



FRONT SEAT CONTROL MODULE



SM1-D / 12-WAY / WHITE

6	5	4	3	2	1
KO	KS	UO	US	RO	RS
12	11	10	9	8	7
GO	GS	R	B	PS	PO

SM1-P / 12-WAY / WHITE

6	5	4	3	2	1
KO	KS	UO	US	RO	RS
12	11	10	9	8	7
GO	GS	R	B	PS	PO

SM6-D / 22-WAY / WHITE

11	10	9	8	7	6	5	4	3	2	1
GN	PY	PW	RY	WU	WO	WY	WR	WP	WB	W
22	21	20	19	18	17	16	15	14	13	12
—	—	RW	UW	UY	KW	KY	GW	GY	—	—

SM6-P / 22-WAY / WHITE

11	10	9	8	7	6	5	4	3	2	1
GN	PY	PW	RY	WU	WO	WY	WR	WP	WB	W
22	21	20	19	18	17	16	15	14	13	12
—	—	RW	UW	UY	KW	KY	GW	GY	—	—

PL2-D, CA106 / 12-WAY / BLUE

6	5	4	3	2	1
NLG	B	NG	B	K	O
12	11	10	9	8	7
NS	—	—	B	—	NO

PL2-P, CA108 / 12-WAY / BLUE

6	5	4	3	2	1
NLG	B	NG	B	K	O
12	11	10	9	8	7
NS	—	—	B	—	NO

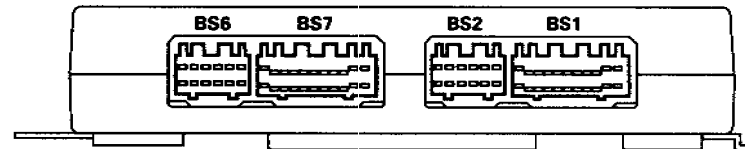
PL1-D, CA105 / 22-WAY / BLUE

11	10	9	8	7	6	5	4	3	2	1
WP	OW	YB	UG	—	US	UP	UN	WN	OB	—
22	21	20	19	18	17	16	15	14	13	12
—	—	—	—	—	—	—	UR	OY	—	—

PL1-P, CA107 / 22-WAY / BLUE

11	10	9	8	7	6	5	4	3	2	1
WP	OW	YB	UG	—	US	UP	UN	WN	OB	RK
22	21	20	19	18	17	16	15	14	13	12
—	—	—	—	—	—	—	UR	OY	—	—

REAR SEAT CONTROL MODULE



BS6 / 12-WAY / WHITE

6	5	4	3	2	1
GO	GS	PO	PS	OU	OS
12	11	10	9	8	7
GR	GW	OW	—	PW	PR

BS7 / 22-WAY / WHITE

11	10	9	8	7	6	5	4	3	2	1
—	PW	PY	RY	—	—	—	—	—	—	—
22	21	20	19	18	17	16	15	14	13	12
—	—	RW	UW	UY	KW	KY	GW	GY	—	—

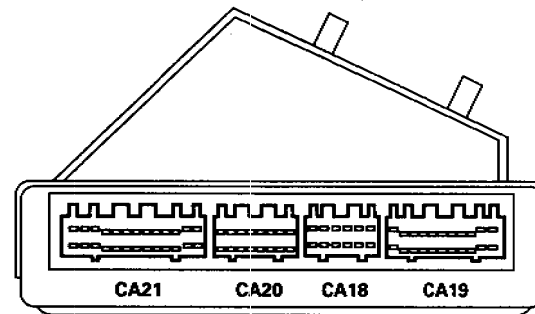
BS2 / 12-WAY / BLUE

6	5	4	3	2	1
NW	B	NK	B	—	—
12	11	10	9	8	7
NW	—	B	B	—	—

BS1 / 22-WAY / BLUE

11	10	9	8	7	6	5	4	3	2	1
—	—	—	—	—	—	—	—	—	—	—
22	21	20	19	18	17	16	15	14	13	12
—	—	—	—	—	—	—	—	—	—	—

SECURITY AND LOCKING CONTROL MODULE



CA21 / 26-WAY / SLATE

13	12	11	10	9	8	7	6	5	4	3	2	1
WB	NU	PW	RO	LGP	UP	OY	YO	U	—	—	PLG	OW
26	25	24	23	22	21	20	19	18	17	16	15	14
WO	B	GU	SK	YLG	UN	GB	S	—	—	—	OY	OR

CA20 / 16-WAY / SLATE

8	7	6	5	4	3	2	1
C	BRD	SY	RW	R	UW	BRD	—
16	15	14	13	12	11	10	9
K	WN	B	RB	U	UB	BRD	—

CA18 / 12-WAY / SLATE

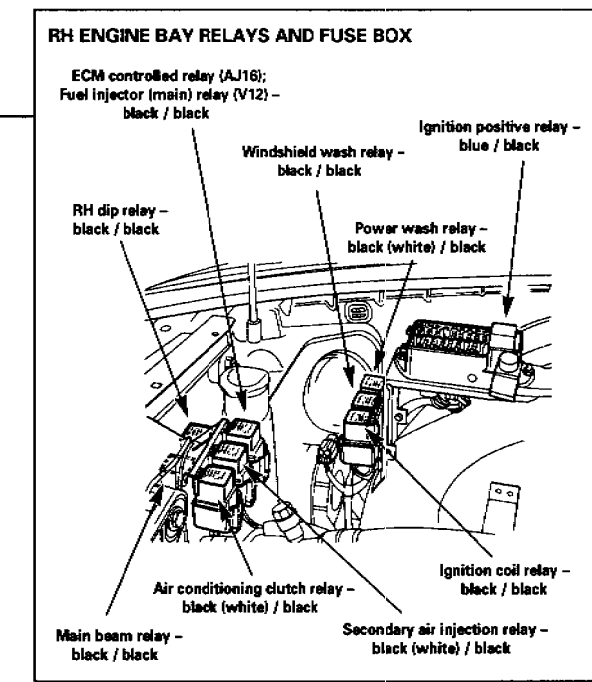
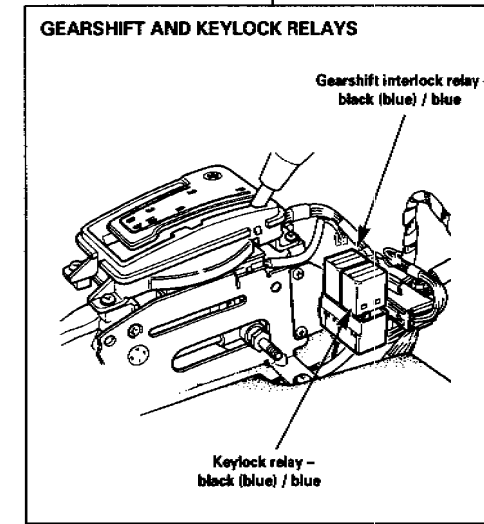
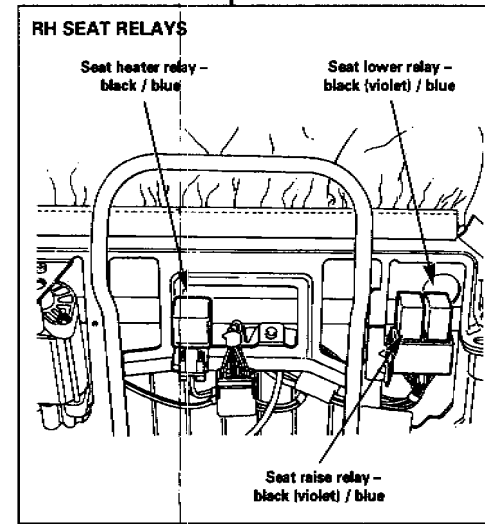
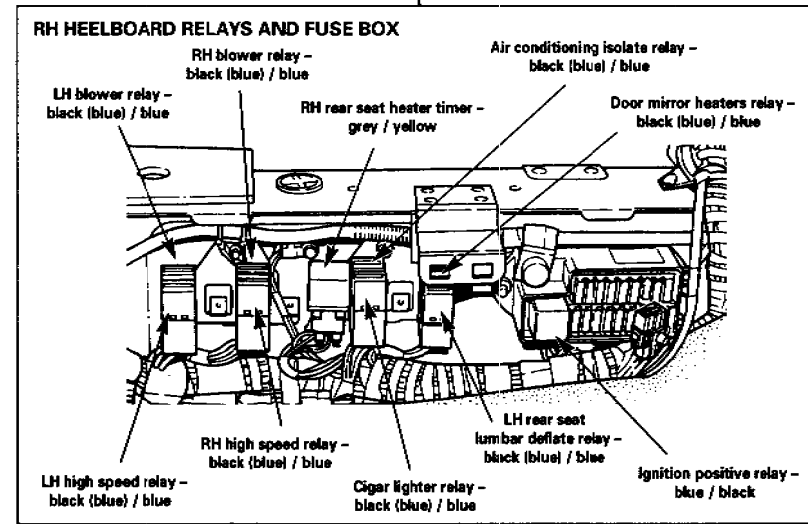
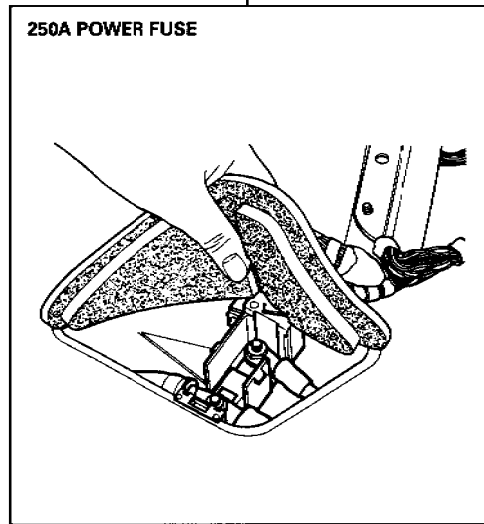
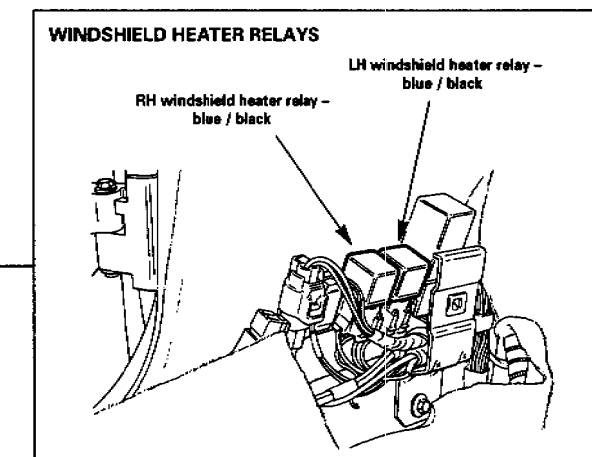
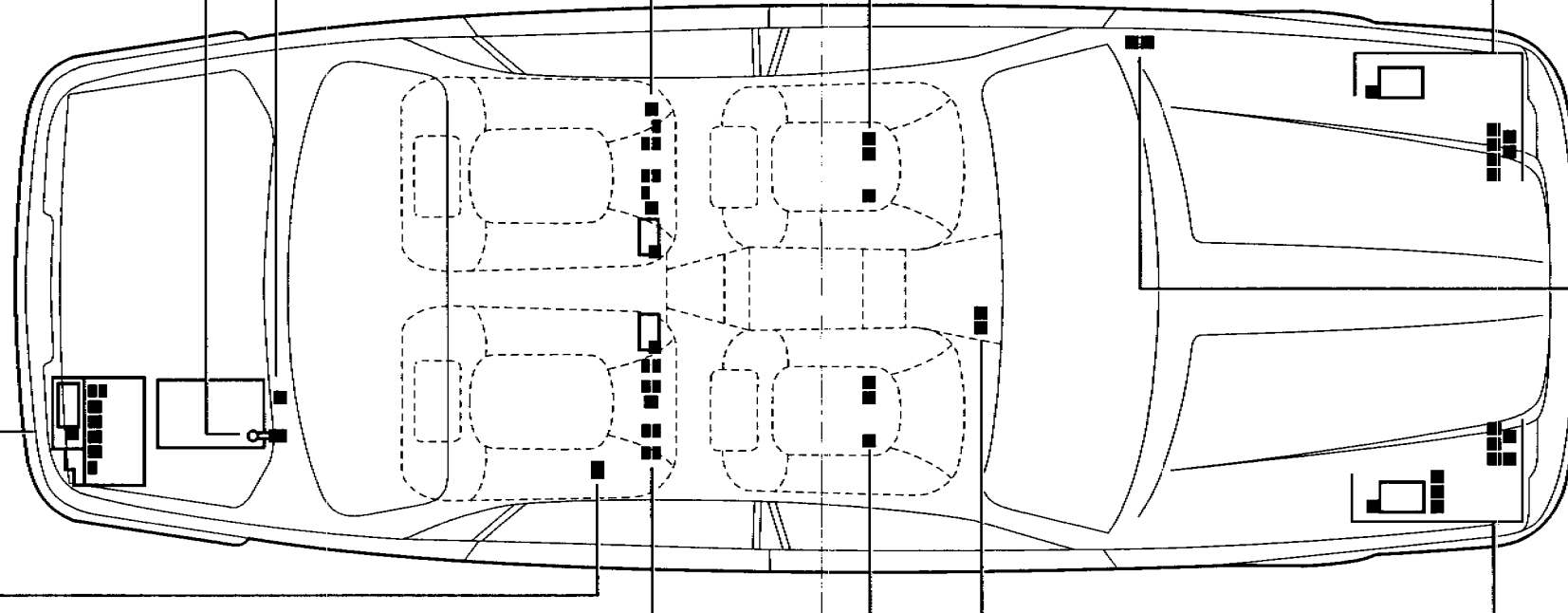
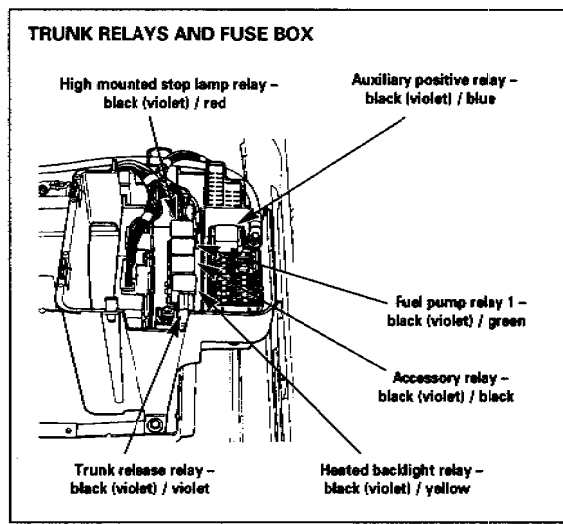
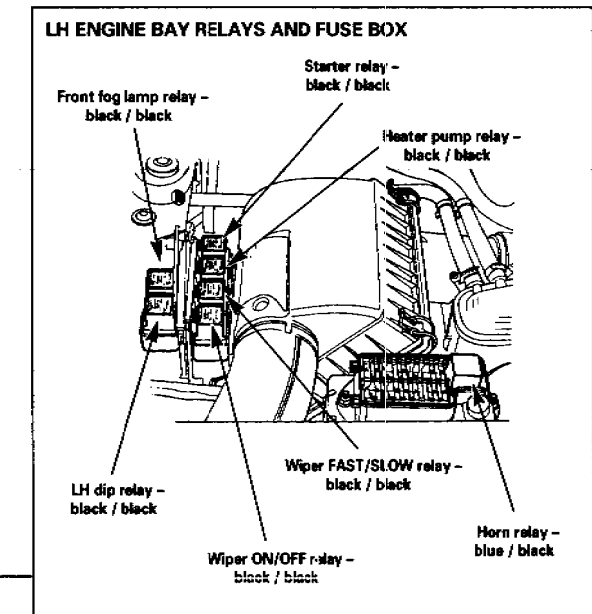
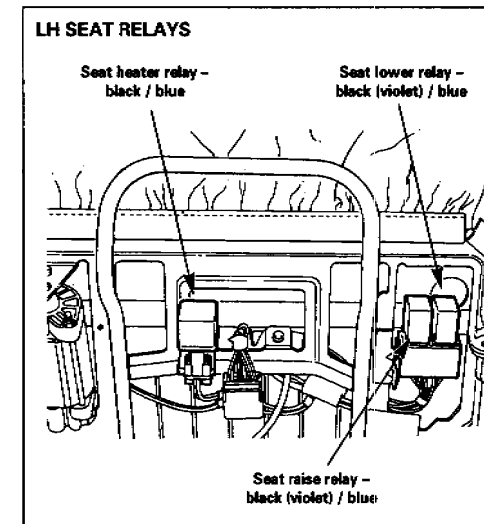
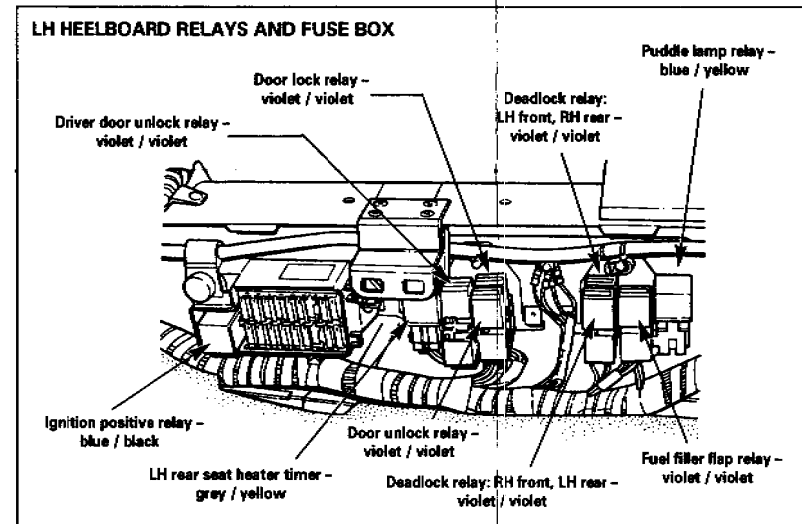
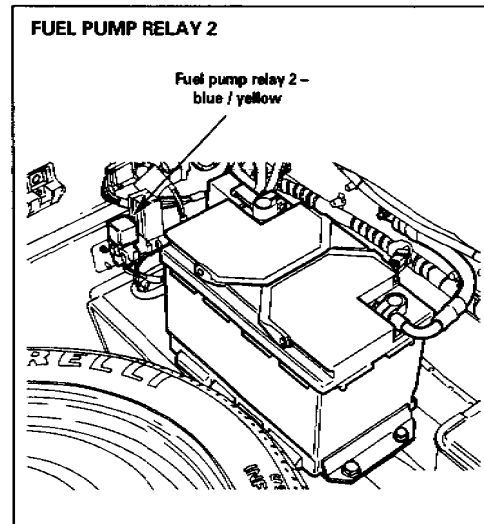
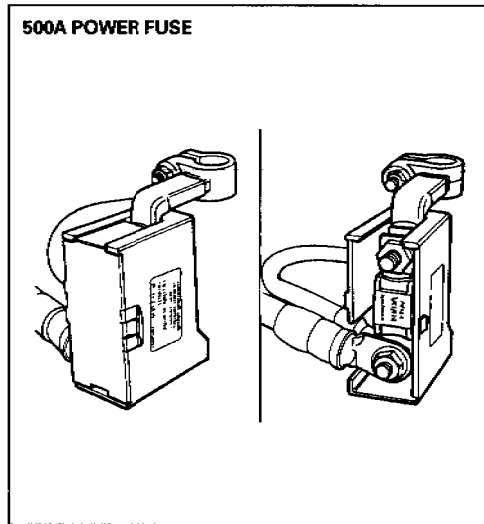
6	5	4	3	2	1
OU	—	YB	US	RG	UO
12	11	10	9	8	7
OY	—	YR	SW	WN	G

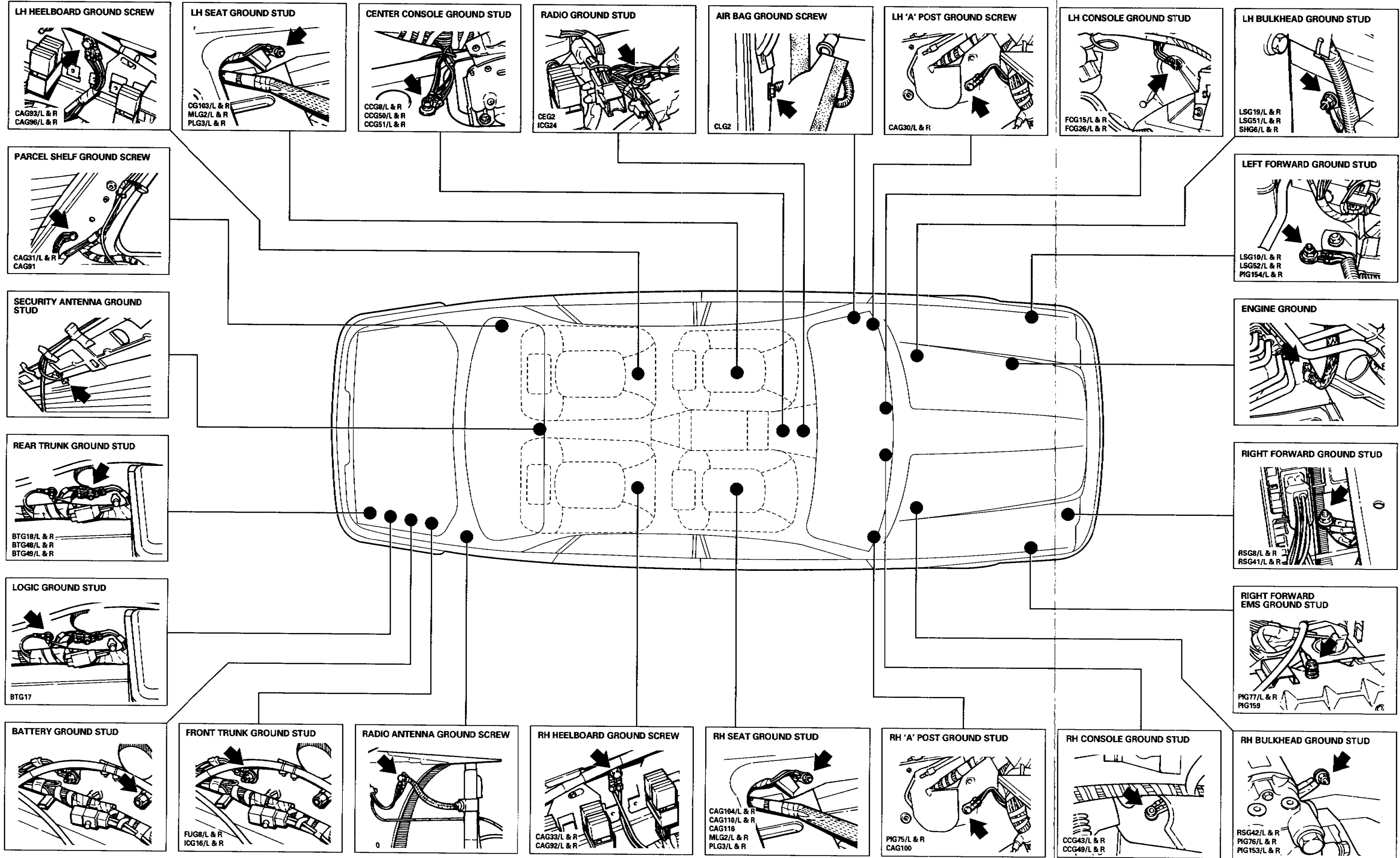
CA19 / 22-WAY / SLATE

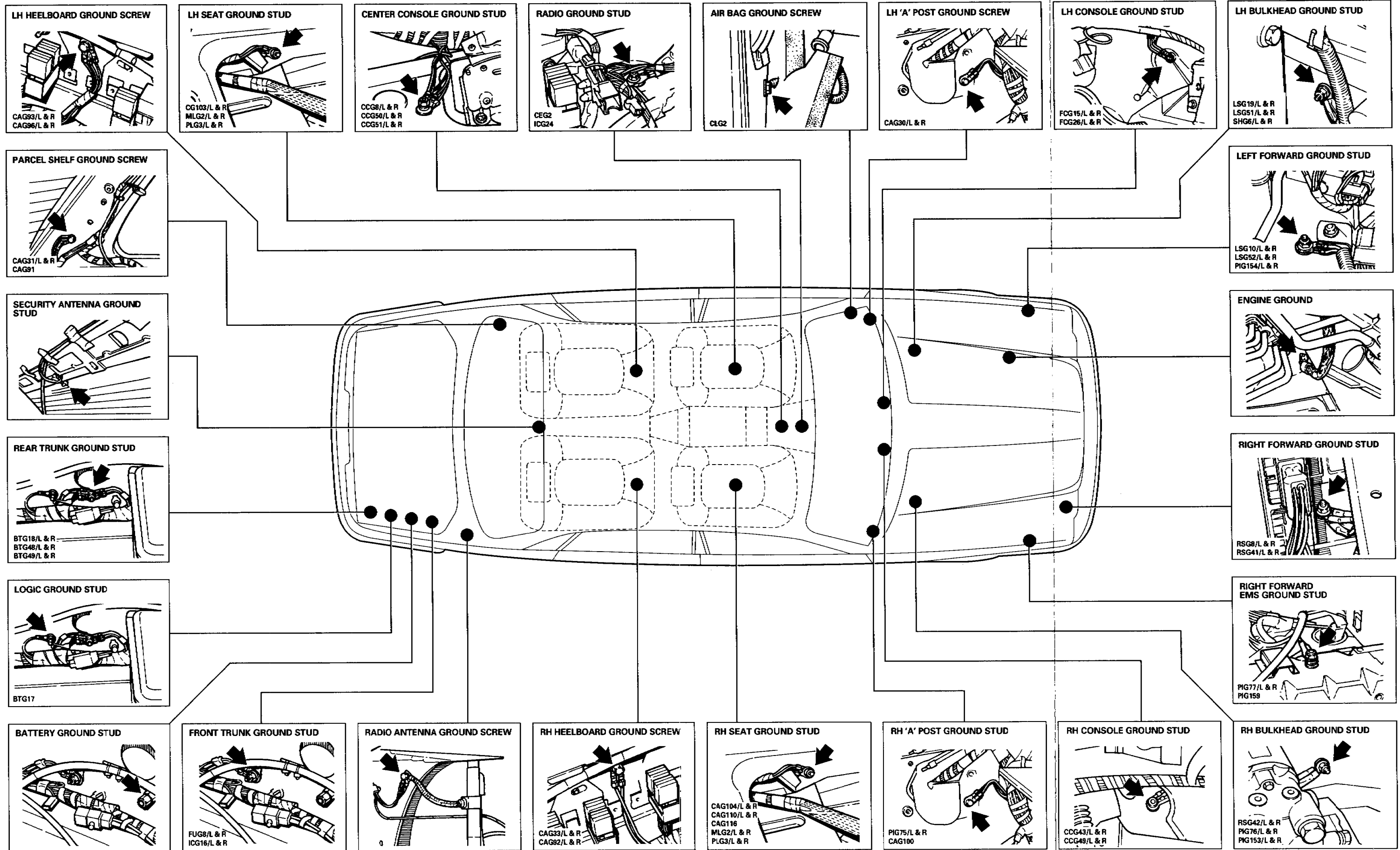
11	10	9	8	7	6	5	4	3	2	1
SR	GP	UW	PG	LGS	YW	—	—	—	—	R
22	21	20	19	18	17	16	15	14	13	12
PO	G	RY	SG	UR	WO	—	—	—	PO	KN



NOTE: RELAY COLORS ARE WRITTEN AS CASE COLOR (STRIPE) / CONNECTOR COLOR. FOR EXAMPLE, BLACK (BLUE) / BLUE INDICATES A RELAY HAVING A BLACK CASE WITH A BLUE STRIPE AND A BLUE CONNECTOR. IF THERE IS NO COLOR SHOWN IN PARENTHESES, THE RELAY CASE DOES NOT HAVE A STRIPE.







CONTROL MODULE PIN OUT INFORMATION

BODY PROCESSOR MODULE

Pin	Description	Active	Inactive
O FC1-13	TRANSIT ISOLATION DEVICE	GROUND	B+
I FC2-31	IGNITION SWITCHED GROUND	GROUND	B+

Fig. 01.1

COMPONENTS

Component	Connector / Type / Color	Location / Access
BATTERY	ST8, ST10	TRUNK
BODY PROCESSOR MODULE	FC1 / 48-WAY PCB SIGNAL / YELLOW FC2 / 48-WAY PCB SIGNAL / BLACK FC3 / 6-WAY PCB SIGNAL / BLACK	PASSENGER'S UNDERSCUTTLE
FUSE BOX - LH ENGINE BAY	LS1 / 10-WAY UTA / BLACK LS37 / 10-WAY UTA / BLACK	ENGINE BAY, LH FRONT
FUSE BOX - RH ENGINE BAY	RS1 / 10-WAY UTA / BLACK RS8 / 10-WAY UTA / BLACK	ENGINE BAY, RH FRONT
FUSE BOX - LH HEELBOARD	CA1 / 10-WAY UTA / NATURAL CA2 / 10-WAY UTA / BLACK	LH HEELBOARD
FUSE BOX - RH HEELBOARD	CA36 / 10-WAY UTA / NATURAL CA44 / 10-WAY UTA / BLACK	RH HEELBOARD
FUSE BOX - TRUNK	BT9 / 10-WAY UTA / BLACK BT35 / 10-WAY UTA / NATURAL	TRUNK ELECTRICAL CARRIER

RELAYS

Relay	Color / Stripe	Connector / Color	Location / Access
AUXILIARY POSITIVE RELAY (TRUNK FUSE BOX)	BLACK / VIOLET	— / BLUE	TRUNK FUSE BOX
HORN RELAY (LH ENGINE BAY FUSE BOX)	BLUE	— / BLACK	LH ENGINE BAY FUSE BOX
IGNITION POSITIVE RELAY (LH HEELBOARD FUSE BOX)	BLUE	— / BLACK	LH HEELBOARD FUSE BOX
IGNITION POSITIVE RELAY (RH HEELBOARD FUSE BOX)	BLUE	— / BLACK	RH HEELBOARD FUSE BOX
IGNITION POSITIVE RELAY (RH ENGINE BAY FUSE BOX)	BLUE	— / BLACK	RH ENGINE BAY FUSE BOX
TRANSIT ISOLATION DEVICE	—	BT37 / —	BATTERY POSITIVE POST

HARNESSTO-HARNESSTO CONNECTORS

Connector	Type / Color	Location / Access
BT4	THROUGH-PANEL (48 MICRO / 6) / BLACK	ABOVE FUEL TANK / FUEL TANK TRIM
FC16	20-WAY MULTILOCK 040 / BLACK	PASSENGER'S UNDERSCUTTLE
FC6	THROUGH-PANEL (48 MICRO / 6) / BLACK	RH FASCIA END PANEL / OUTER AIR VENT

GROUNDS

Ground	Location / Type
FCG15L	LH CONSOLE GROUND STUD
ST9	BATTERY GROUND STUD

CONTROL MODULE PIN OUT INFORMATION (FOLD OUT PAGE)



The following symbols are used to represent values for Control Module Pin Out data:

I Input	B+ Battery voltage
O Output	V Voltage (DC)
SG Signal Ground	Hz Frequency
D Serial and encoded communications	KHz Frequency x 1000
	MS Milliseconds
	MV Millivolts

CAUTION: The information on this data page is furnished to aid the user in understanding circuit operation. THIS INFORMATION SHOULD BE USED FOR REFERENCE ONLY.

NOTE: The values listed are approximately those that can be expected at the control module connector pins with all circuit connections made and all components connected and fitted. "Active" means a load is applied or a switch is ON; "Inactive" means a load is not applied or a switch is OFF.

REFER TO THE FRONT OF THE BOOK FOR ILLUSTRATIONS DETAILING THE LOCATION AND IDENTIFICATION OF COMPONENTS, RELAYS, CONNECTORS, HARNESSES, GROUNDS, VEHICLE CONTROL MODULES AND CONTROL MODULE PINS.

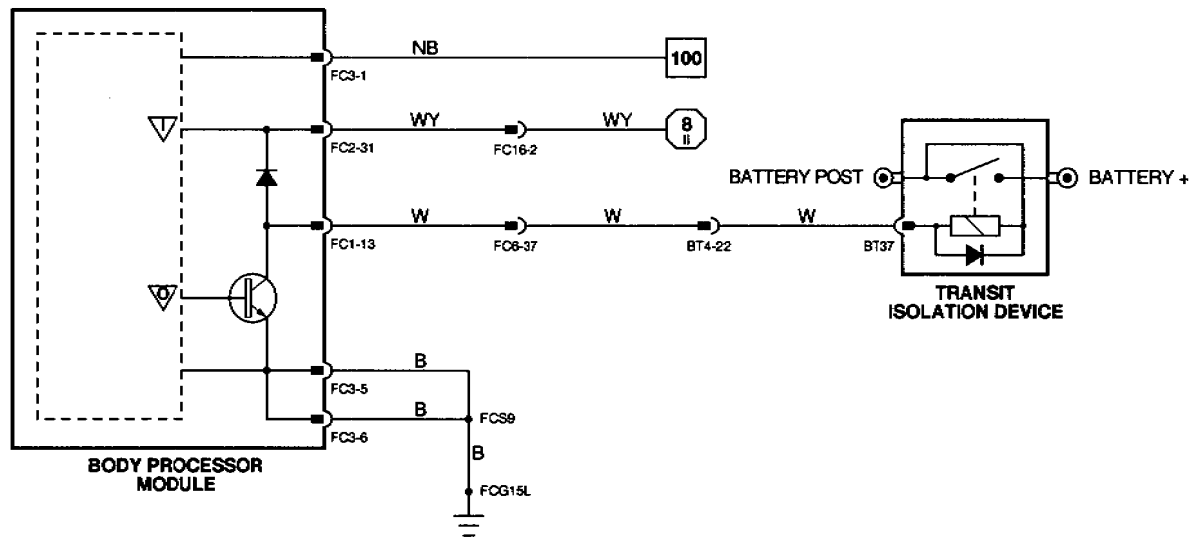
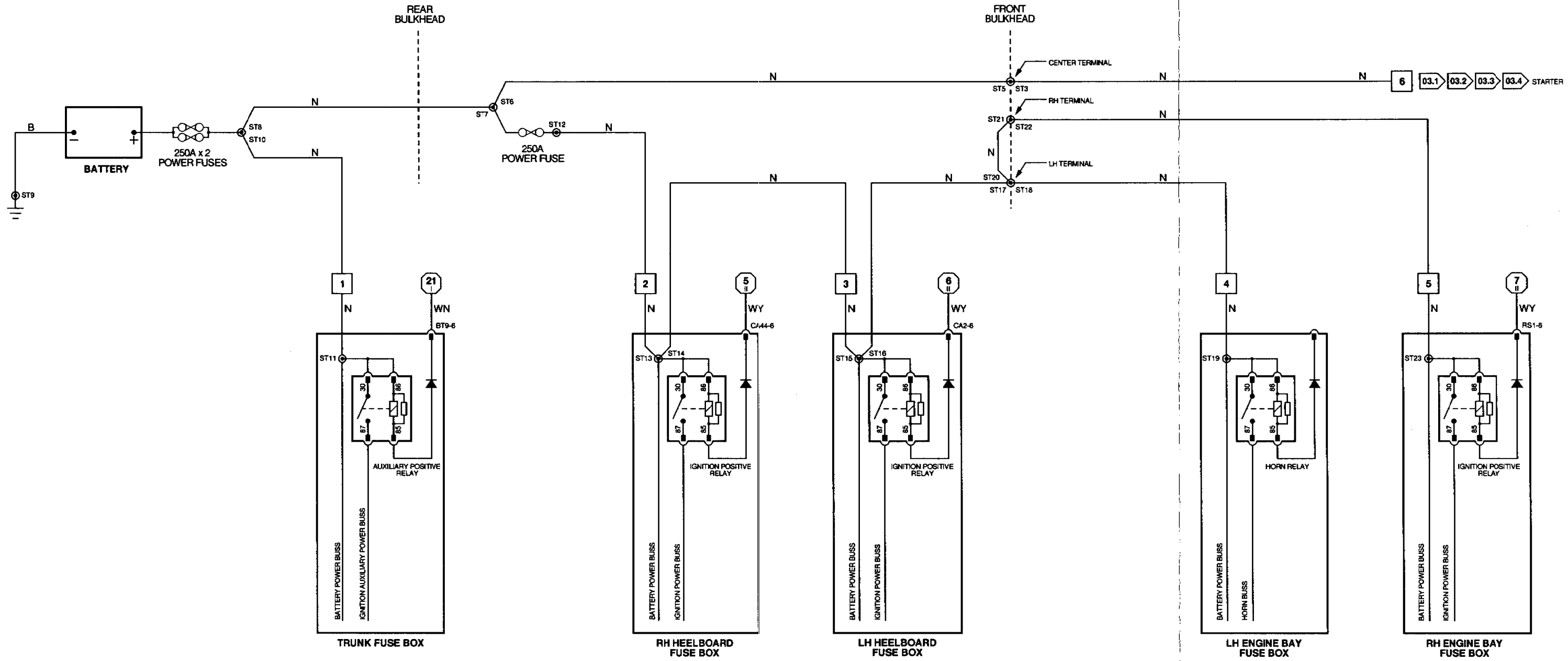


Fig. 01.2

COMPONENTS

Component	Connector / Type / Color	Location / Access
FUSE BOX - LH HEELBOARD	CA1 / 10-WAY UTA / NATURAL CA2 / 10-WAY UTA / BLACK	LH HEELBOARD
FUSE BOX - RH HEELBOARD	CA36 / 10-WAY UTA / NATURAL CA44 / 10-WAY UTA / BLACK	RH HEELBOARD

HARNESS-TO-HARNESS CONNECTORS

Connector	Type / Color	Location / Access
CC18	20-WAY MULTILOCK 040 / BLUE	CENTER CONSOLE / CENTER CONSOLE GLOVE BOX
FC7	THROUGH-PANEL (48 MICRO / 8) / BLACK	PASSENGER'S UNDERSCUTTLE

REFER TO THE FRONT OF THE BOOK FOR ILLUSTRATIONS DETAILING THE LOCATION AND IDENTIFICATION OF COMPONENTS, RELAYS, CONNECTORS, HARNESSSES, GROUNDS, VEHICLE CONTROL MODULES AND CONTROL MODULE PINS.

DATE OF ISSUE: NOVEMBER 1995

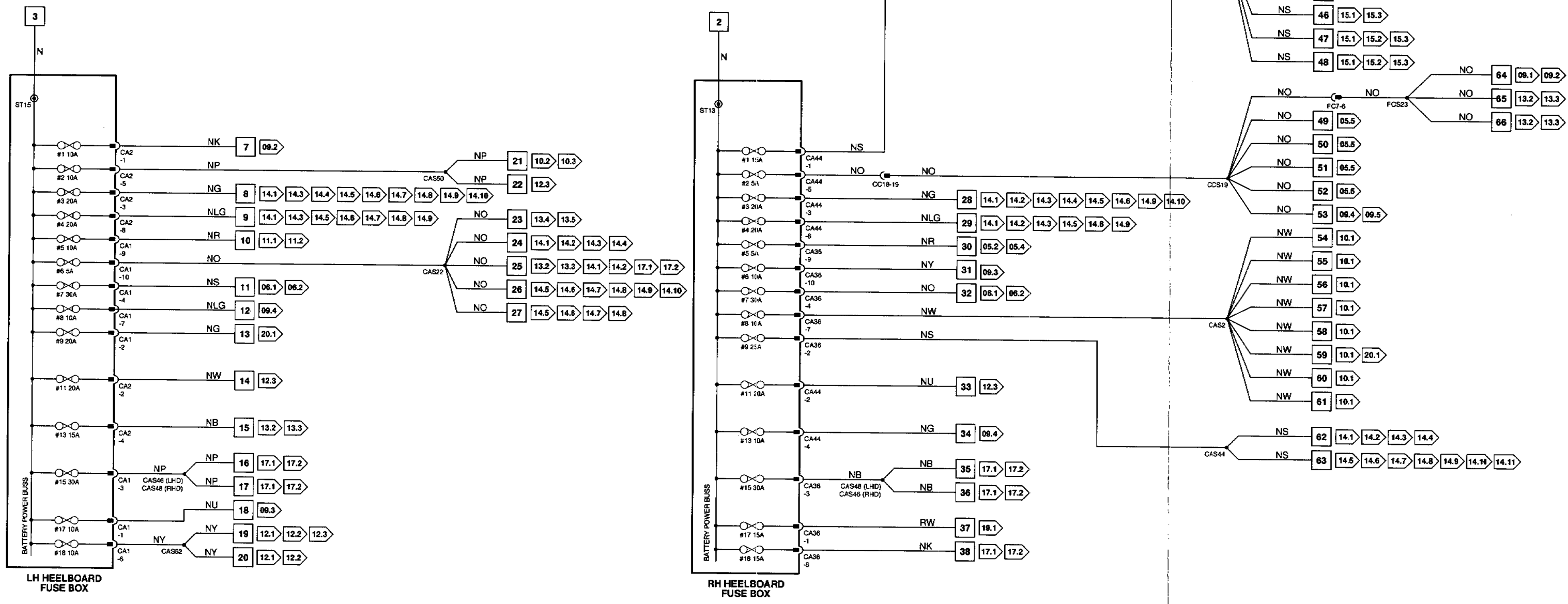


Fig. 01.3**COMPONENTS**

Component	Connector / Type / Color	Location / Access
FUSE BOX - LH ENGINE BAY	LS1 / 10-WAY UTA / BLACK LS37 / 10-WAY UTA / BLACK	ENGINE BAY, LH FRONT
FUSE BOX - RH ENGINE BAY	RS1 / 10-WAY UTA / BLACK RS6 / 10-WAY UTA / BLACK	ENGINE BAY, RH FRONT
FUSE BOX - TRUNK	BT9 / 10-WAY UTA / BLACK BT36 / 10-WAY UTA / NATURAL	TRUNK ELECTRICAL CARRIER

HARNESS-TO-HARNESS CONNECTORS

Connector	Type / Color	Location / Access
BT4	THROUGH-PANEL (48 MICRO / 6) / BLACK	ABOVE FUEL TANK / FUEL TANK TRIM
CC4	14-WAY MULTILOCK 070 / WHITE	CENTER CONSOLE / CENTER CONSOLE GLOVE BOX
FC7	THROUGH-PANEL (48 MICRO / 6) / BLACK	PASSENGER'S UNDERSCUTTLE

REFER TO THE FRONT OF THE BOOK FOR ILLUSTRATIONS DETAILING THE LOCATION AND IDENTIFICATION OF COMPONENTS, RELAYS, CONNECTORS, HARNESSES, GROUNDS, VEHICLE CONTROL MODULES AND CONTROL MODULE PINS.

DATE OF ISSUE: NOVEMBER 1995

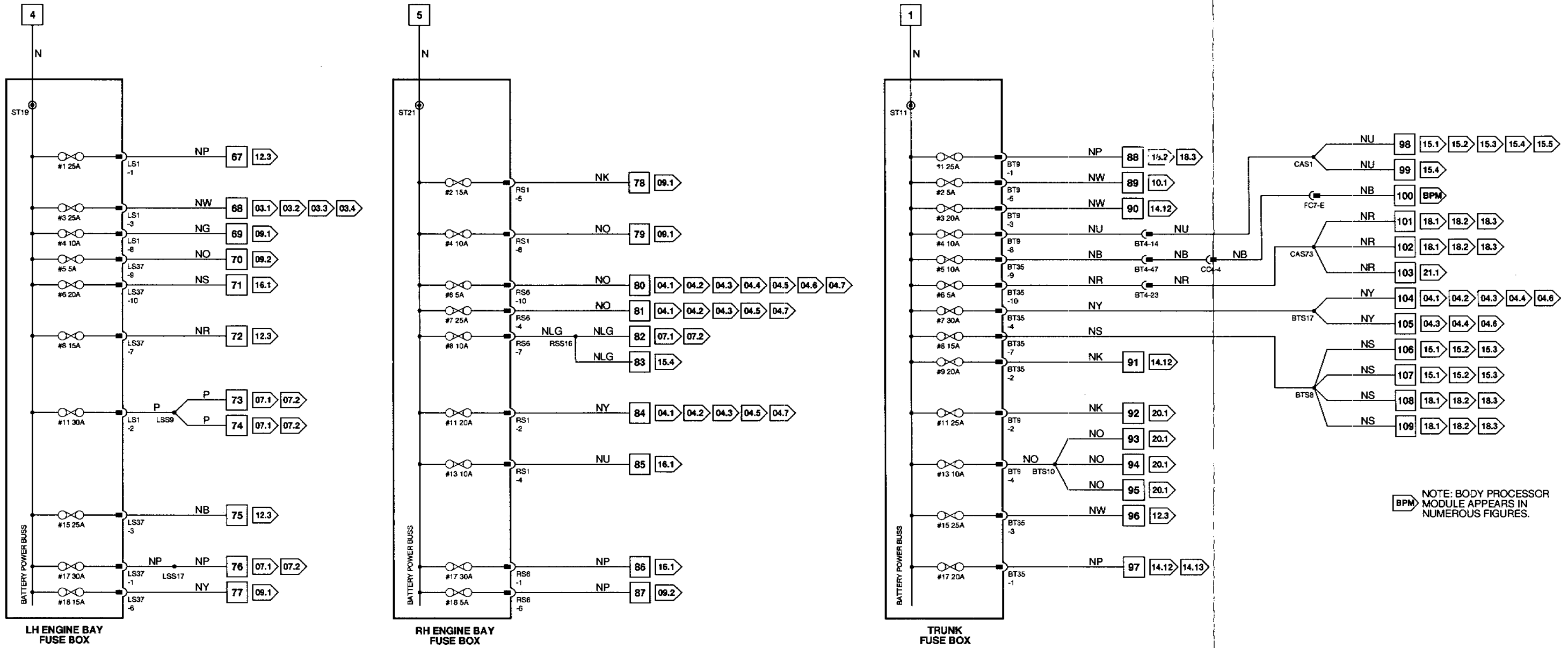


Fig. 01.4**COMPONENTS**

Component	Connector / Type / Color	Location / Access
FUSE BOX - RH ENGINE BAY	RS1 / 10-WAY UTA / BLACK RS6 / 10-WAY UTA / BLACK	ENGINE BAY, RH FRONT
FUSE BOX - LH HEELBOARD	CA1 / 10-WAY UTA / NATURAL CA2 / 10-WAY UTA / BLACK	LH HEELBOARD
FUSE BOX - RH HEELBOARD	CA36 / 10-WAY UTA / NATURAL CA44 / 10-WAY UTA / BLACK	RH HEELBOARD
FUSE BOX - TRUNK	BT9 / 10-WAY UTA / BLACK BT35 / 10-WAY UTA / NATURAL	TRUNK ELECTRICAL CARRIER

RELAYS

Relay	Color / Stripe	Connector / Color	Location / Access
AUXILIARY POSITIVE RELAY (TRUNK FUSE BOX)	BLACK / VIOLET	- / BLUE	TRUNK FUSE BOX
IGNITION POSITIVE RELAY (LH HEELBOARD FUSE BOX)	BLUE	- / BLACK	LH HEELBOARD FUSE BOX
IGNITION POSITIVE RELAY (RH HEELBOARD FUSE BOX)	BLUE	- / BLACK	RH HEELBOARD FUSE BOX
IGNITION POSITIVE RELAY (RH ENGINE BAY FUSE BOX)	BLUE	- / BLACK	RH ENGINE BAY FUSE BOX

HARNESS-TO-HARNESS CONNECTORS

Connector	Type / Color	Location / Access
BT4	THROUGH-PANEL (48 MICRO / 6) / BLACK	ABOVE FUEL TANK / FUEL TANK TRIM
LS3	THROUGH-PANEL (48 MICRO / 6) / BLACK	LH 'A' POST / 'A' POST PANEL
PI61	13-WAY ECONOSEAL III LC / BLACK	REARWARD OF RH HEADLAMP
SH8	4-WAY MULTILOCK 070 / WHITE	LH 'A' POST / 'A' POST PANEL

REFER TO THE FRONT OF THE BOOK FOR ILLUSTRATIONS DETAILING THE LOCATION AND IDENTIFICATION OF COMPONENTS, RELAYS, CONNECTORS, HARNESSES, GROUNDS, VEHICLE CONTROL MODULES AND CONTROL MODULE PINS.

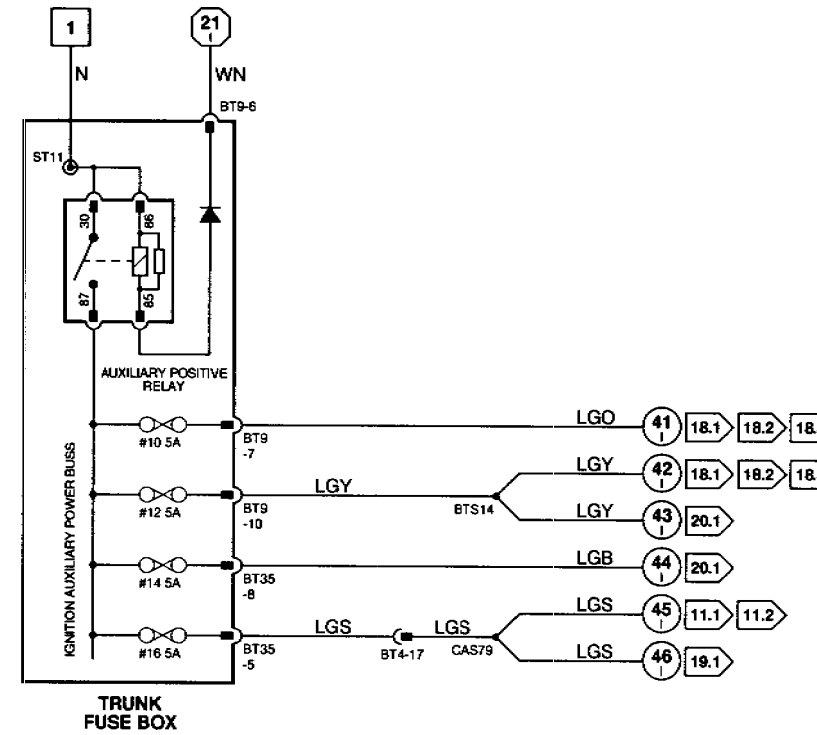
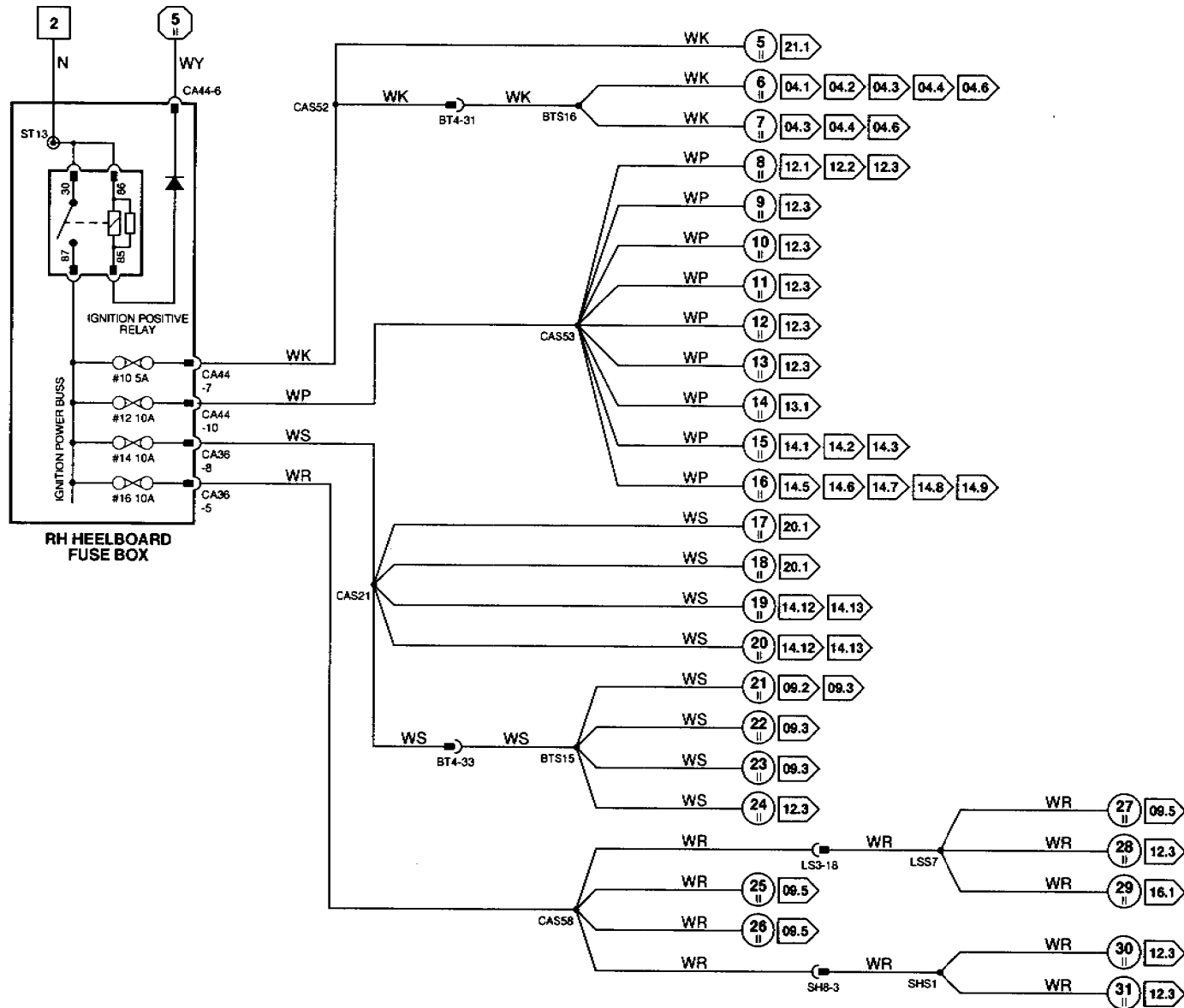
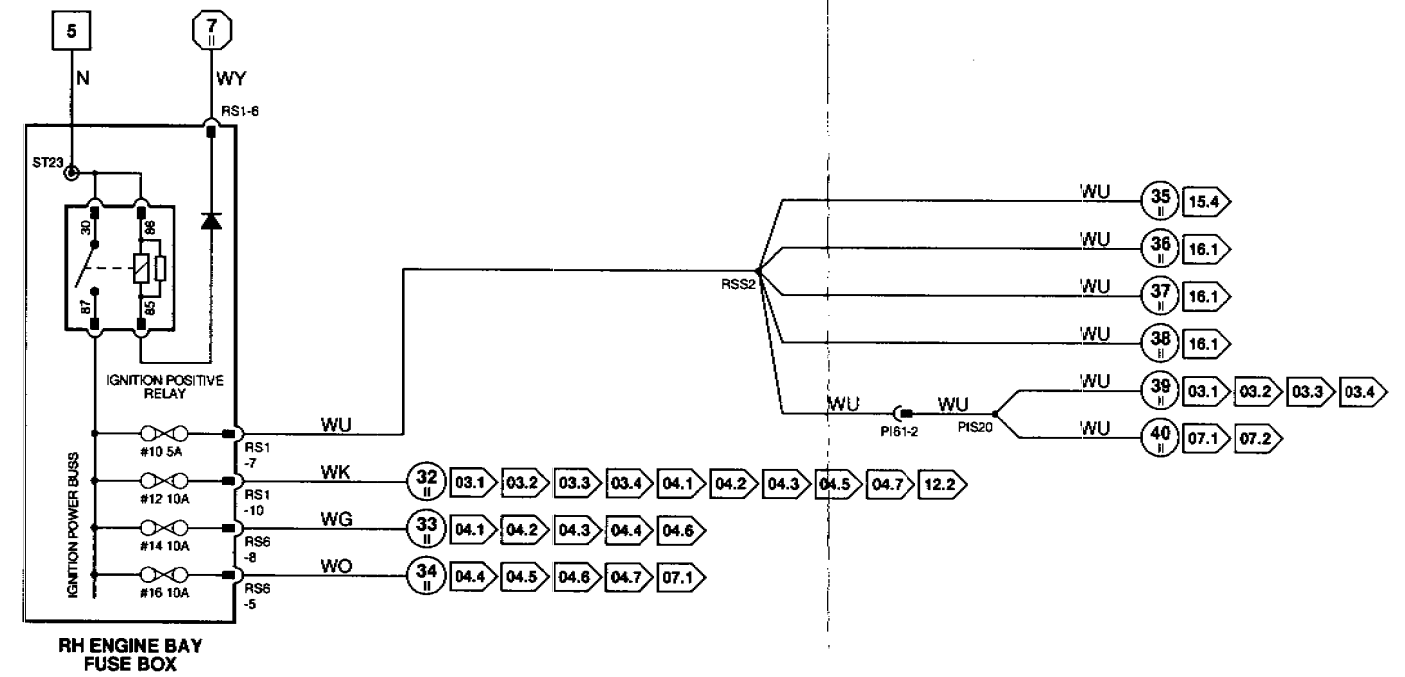
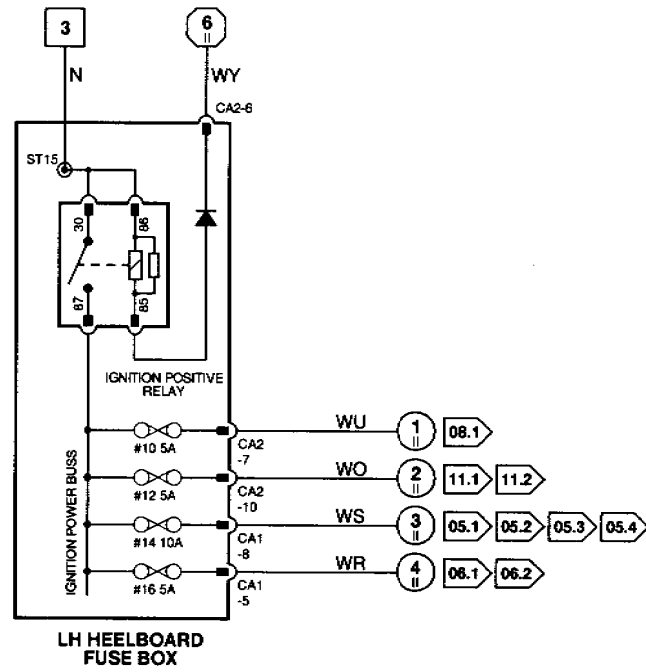


Fig. 02.1**COMPONENTS**

Component	Connector / Type / Color	Location / Access
IGNITION SWITCH INERTIA SWITCH	FC54 (FLY LEAD) / 8-WAY MULTILOCK 070 / WHITE CA6 / 3-WAY ECONOSEAL III LC / BLACK	STEERING COLUMN / COVER RH 'A' POST

HARNESSTO-HARNESSTO CONNECTORS

Connector	Type / Color	Location / Access
BT4	THROUGH-PANEL (48 MICRO / 6) / BLACK	ABOVE FUEL TANK / FUEL TANK TRIM
CC5	20-WAY MULTILOCK 340 / GREEN	CENTER CONSOLE / CENTER CONSOLE GLOVE BOX
FC5	THROUGH-PANEL (48 MICRO / 6) / BLACK	LH FASCIA END PANEL / OUTER AIR VENT
FC6	THROUGH-PANEL (48 MICRO / 6) / BLACK	RH FASCIA END PANEL / OUTER AIR VENT
RS3	THROUGH-PANEL (48 MICRO / 6) / BROWN	RH 'A' POST / 'A' POST PANEL

GROUNDS

Ground	Location / Type
FCG26R	LH CONSOLE GROUND STUD

REFER TO THE FRONT OF THE BOOK FOR ILLUSTRATIONS DETAILING THE LOCATION AND IDENTIFICATION OF COMPONENTS, RELAYS, CONNECTORS, HARNESSES, GROUNDS, VEHICLE CONTROL MODULES AND CONTROL MODULE PINS.

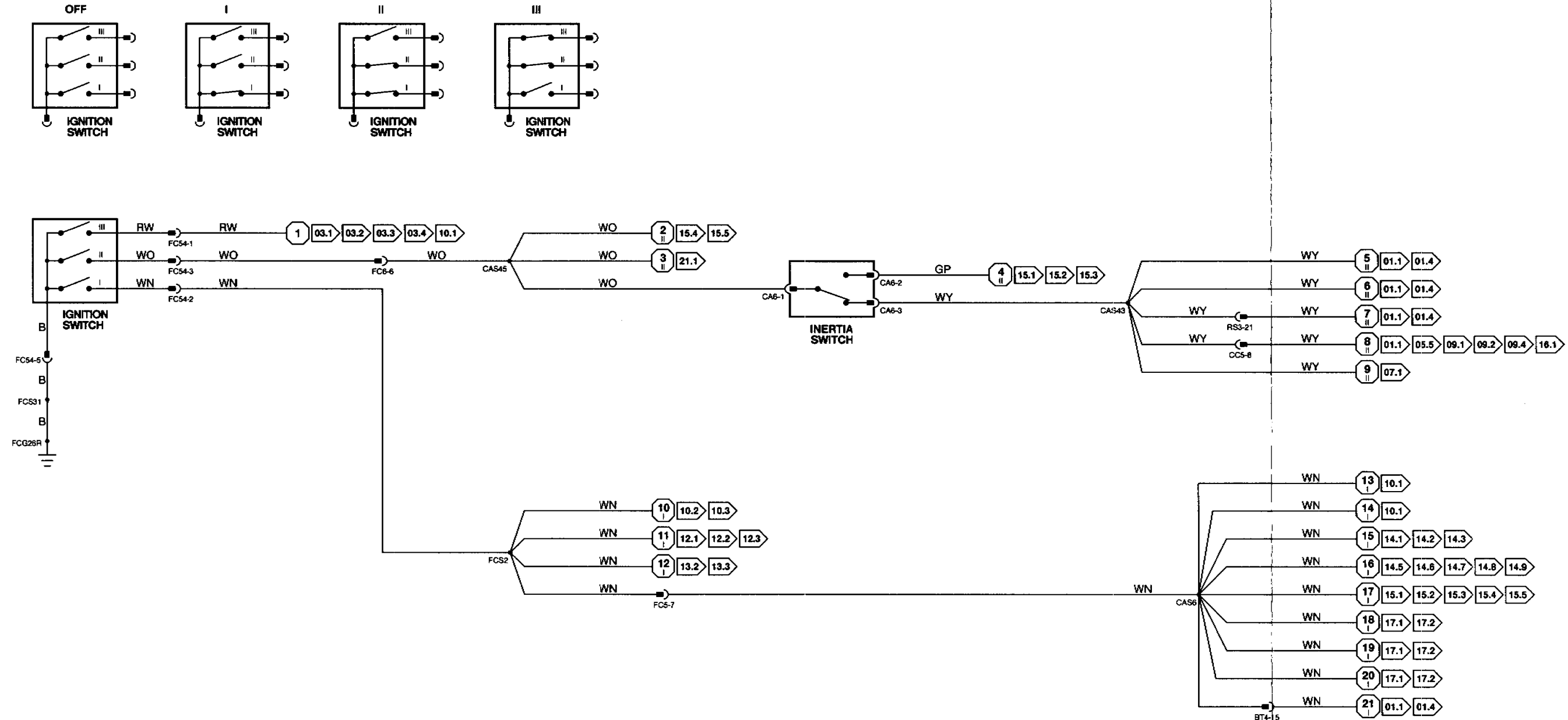


Fig. 02.2**COMPONENTS**

Component	Connector / Type / Color	Location / Access
BATTERY	ST8, ST10	TRUNK

HARNESS-TO-HARNESS CONNECTORS

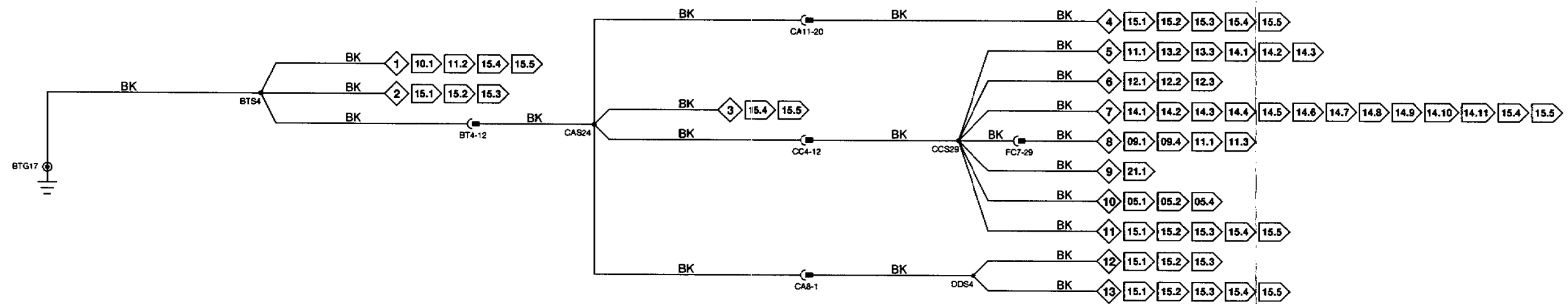
Connector	Type / Color	Location / Access
BT4	THROUGH-PANEL (48 MICRO / 6) / BLACK	ABOVE FUEL TANK / FUEL TANK TRIM
CA8	20-WAY MULTILOCK 040 / GREEN	DRIVER'S 'A' POST / 'A' POST TRIM
CA11	20-WAY MULTILOCK 040 / BLACK	PASSENGER'S UNDERSCUTTLE / ECM
CC4	14-WAY MULTILOCK 070 / WHITE	CENTER CONSOLE / CENTER CONSOLE GLOVE BOX
FC7	THROUGH-PANEL (43 MICRO / 6) / BLACK	PASSENGER'S UNDERSCUTTLE

GROUNDS

Ground	Location / Type
BTG17	LOGIC GROUND STUD

REFER TO THE FRONT OF THE BOOK FOR ILLUSTRATIONS DETAILING THE LOCATION AND IDENTIFICATION OF COMPONENTS, RELAYS, CONNECTORS, HARNESES, GROUNDS, VEHICLE CONTROL MODULES AND CONTROL MODULE PINS.

DATE OF ISSUE: NOVEMBER 1995



CONTROL MODULE PIN OUT INFORMATION

ENGINE CONTROL MODULE (AJ16)

Pin	Description	Active	Inactive
O P1104-20	CHECK ENGINE MIL	GROUND	B+
D P1105-35	FUELING INHIBIT SIGNAL	ENCODED COMMUNICATIONS	

BODY PROCESSOR MODULE

Pin	Description	Active	Inactive
O FC1-33	STARTER RELAY INHIBIT	GROUND	B+
D FC2-5	SECURE STATUS INPUT FROM SECURITY AND LOCKING CONTROL MODULE	ENCODED COMMUNICATIONS	
I FC2-7	CHECK ENGINE MIL	GROUND	B+
I FC2-20	PARK / NEUTRAL SIGNAL	GROUND	B+
I FC2-41	INTERIOR LAMP EXTINGUISH DURING CRANK	GROUND	

SECURITY AND LOCKING CONTROL MODULE

Pin	Description	Active	Inactive
D CA21-10	SECURE STATUS OUTPUT TO BODY PROCESSOR	ENCODED COMMUNICATIONS	
D CA21-20	FUELING INHIBIT SIGNAL OUTPUT (NOT NAS)	ENCODED COMMUNICATIONS	

Fig. 03.1

COMPONENTS

Component	Connector / Type / Color	Location / Access
BATTERY	ST8, ST10	TRUNK
BODY PROCESSOR MODULE	FC1 / 48-WAY PCB SIGNAL / YELLOW FC2 / 48-WAY PCB SIGNAL / BLACK FC3 / 6-WAY PCB SIGNAL / BLACK	PASSENGER'S UNDERSCUTTLE
DECODER MODULE	CC13 / 26-WAY MODU 4 / BLUE	CENTER CONSOLE
ENGINE CONTROL MODULE (AJ16)	P1104 / 36-WAY ECONOSEAL III / BLACK P1105 / 38-WAY ECONOSEAL III / RED	RH 'A' POST / 'A' POST TRIM
GENERATOR	P1141 / 3-WAY NIPPON DENSO / BLACK	ENGINE, LH SIDE (AJ16), RH SIDE (V12)
IGNITION SWITCH	FC54 (FLY LEAD) / 8-WAY MULTILOCK 070 / WHITE	STEERING COLUMN / COVER
ROTARY SWITCH	GB1 (FLY LEAD) / 8-WAY MULTILOCK 070 / WHITE GB2 (FLY LEAD) / 12-WAY MULTILOCK 040 / BLACK	'J' GATE / CENTER CONSOLE
SECURITY AND LOCKING CONTROL MODULE	CA18 / 12-WAY MULTILOCK 47 / SLATE CA19 / 22-WAY MULTILOCK 47 / SLATE CA20 / 16-WAY MULTILOCK 47 / SLATE CA21 / 26-WAY MULTILOCK 47 / SLATE	TRUNK, LH FRONT / TRUNK TRIM
STARTER MOTOR	ST1 / EYELET / WHITE ST2 / EYELET / WHITE	ENGINE, LH REAR (AJ16); ENGINE, RH REAR (V12)
SUPPRESSION MODULE	AN3 (FLY LEAD) / 2-WAY ECONOSEAL III LC / RED	ENGINE BAY, LH FRONT

RELAYS

Relay	Color / Stripe	Connector / Color	Location / Access
STARTER RELAY	BLACK	LS47 / BLACK	LH ENGINE BAY RELAYS

HARNESS-TO-HARNESS CONNECTORS

Connector	Type / Color	Location / Access
CC3	20-WAY MULTILOCK 040 / BLACK	CENTER CONSOLE / CENTER CONSOLE GLOVE BOX
CC5	20-WAY MULTILOCK 040 / GREEN	CENTER CONSOLE / CENTER CONSOLE GLOVE BOX
FC8	THROUGH-PANEL (40) MICRO / 8 / BLACK	RH FASCIA END PANEL / OUTER AIR VENT
FC7	THROUGH-PANEL (40) MICRO / 8 / BLACK	PASSENGER'S UNDERSCUTTLE
LS3	THROUGH-PANEL (40) MICRO / 8 / BLACK	LH 'A' POST / 'A' POST PANEL
P11	13-WAY ECONOSEAL III LC / WHITE	REARWARD OF RH HEADLAMP
P161	13-WAY ECONOSEAL III LC / BLACK	REARWARD OF RH HEADLAMP
P163	20-WAY MULTILOCK 040 / BLACK	RH 'A' POST / 'A' POST TRIM
P166	2-WAY ECONOSEAL III HC / BLACK	FORWARD OF LH ENGINE BAY FUSE BOX
P142	2-WAY ECONOSEAL III HC / BLACK	ENGINE BAY BULKHEAD
RS3	THROUGH-PANEL (40) MICRO / 8 / BROWN	RH 'A' POST / 'A' POST PANEL

GROUNDS

Ground	Location / Type
FCG15L	LH CONSOLE GROUND STUD
FCG28R	LH CONSOLE GROUND STUD
ST9	BATTERY GROUND STUD

CONTROL MODULE PIN OUT INFORMATION (FOLD OUT PAGE)



The following symbols are used to represent values for Control Module Pin Out data:

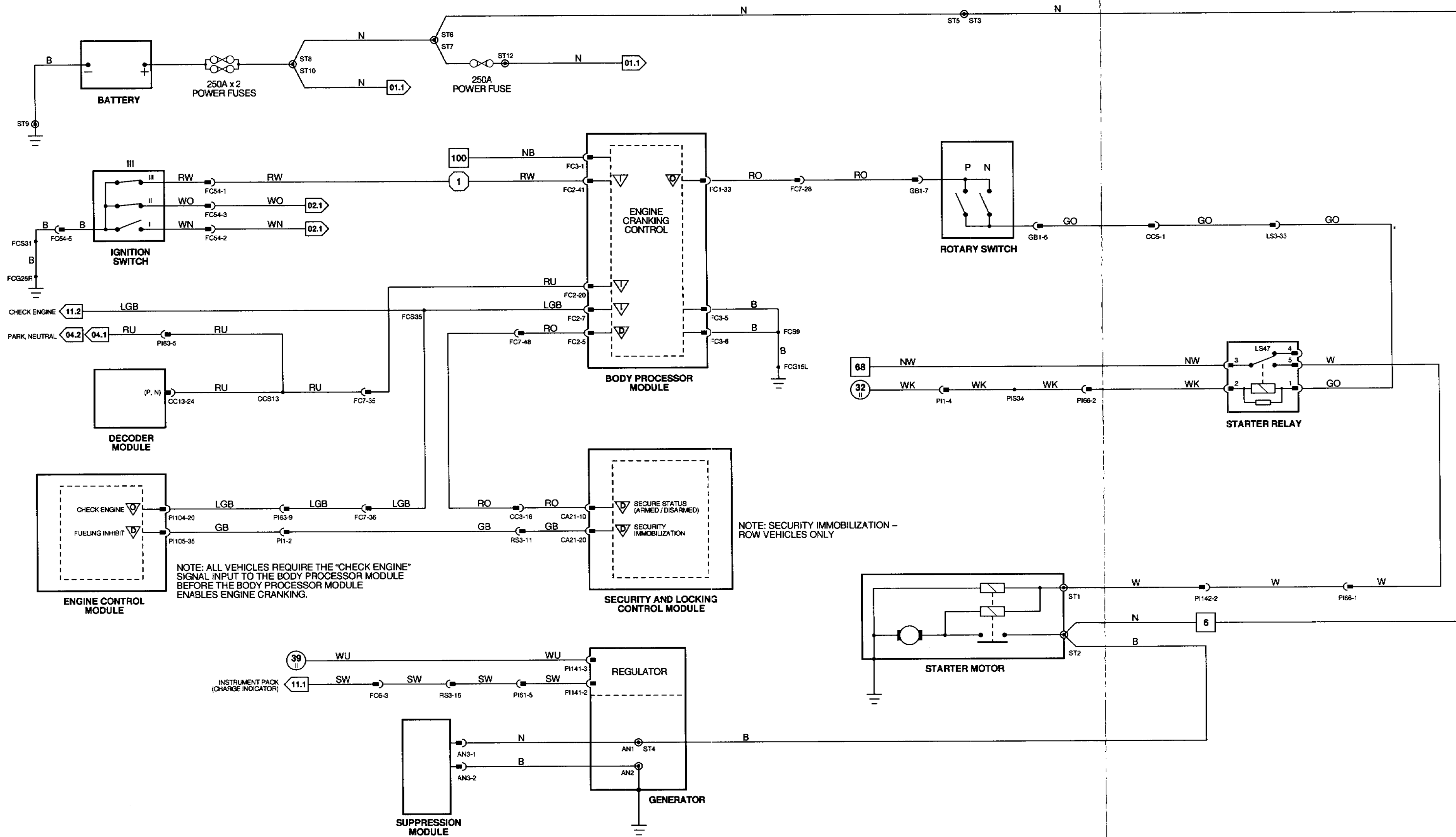
I	Input	B+	Battery voltage
O	Output	V	Voltage (DC)
SG	Signal Ground	Hz	Frequency
D	Serial and encoded communications	KHz	Frequency x 1000
		MS	Milliseconds
		MV	Millivolts

CAUTION: The information on this data page is furnished to aid the user in understanding circuit operation. THIS INFORMATION SHOULD BE USED FOR REFERENCE ONLY.

NOTE: The values listed are approximately those that can be expected at the control module connector pins with all circuit connections made and all components connected and fitted. "Active" means a load is applied or a switch is ON; "Inactive" means a load is not applied or a switch is OFF.

REFER TO THE FRONT OF THE BOOK FOR ILLUSTRATIONS DETAILING THE LOCATION AND IDENTIFICATION OF COMPONENTS, RELAYS, CONNECTORS, HARNESSSES, GROUNDS, VEHICLE CONTROL MODULES AND CONTROL MODULE PINS.

DATE OF ISSUE: NOVEMBER 1995



CONTROL MODULE PIN OUT INFORMATION

ENGINE CONTROL MODULE (AJ16)

Pin	Description	Active	Inactive
O P1104-20	CHECK ENGINE MIL	GROUND	B+
D P1105-35	FUELING INHIBIT SIGNAL	ENCODED COMMUNICATIONS	

BODY PROCESSOR MODULE

Pin	Description	Active	Inactive
O FC1-33	STARTER RELAY INHIBIT	GROUND	B+
D FC2-5	SECURE STATUS INPUT FROM SECURITY AND LOCKING CONTROL MODULE	ENCODED COMMUNICATIONS	
I FC2-7	CHECK ENGINE MIL	GROUND	B+
I FC2-20	PARK / NEUTRAL SIGNAL	GROUND	B+
I FC2-41	INTERIOR LAMP EXTINGUISH DURING CRANK	GROUND	B+

SECURITY AND LOCKING CONTROL MODULE

Pin	Description	Active	Inactive
D CA21-10	SECURE STATUS OUTPUT TO BODY PROCESSOR	ENCODED COMMUNICATIONS	
D CA21-20	FUELING INHIBIT SIGNAL OUTPUT (NOT NAS)	ENCODED COMMUNICATIONS	

Fig. 03.2

COMPONENTS

Component	Connector / Type / Color	Location / Access
BATTERY	ST8, ST10	TRUNK
BODY PROCESSOR MODULE	FC1 / 48-WAY PCB SIGNAL / YELLOW FC2 / 48-WAY PCB SIGNAL / BLACK FC3 / 6-WAY PCB SIGNAL / BLACK	PASSENGER'S UNDERSCUTTLE
ENGINE CONTROL MODULE (AJ16)	P1104 / 36-WAY ECONOSEAL III / BLACK P1105 / 36-WAY ECONOSEAL III / RED	RH 'A' POST / 'A' POST TRIM
GENERATOR	P1141 / 3-WAY NIPPON DENSO / BLACK	ENGINE, LH SIDE (AJ16), RH SIDE (V12)
IGNITION SWITCH	FC54 (FLY LEAD) / 8-WAY MULTILOCK 070 / WHITE	STEERING COLUMN / COVER
LINEAR GEAR POSITION SWITCHES	CC21 / 20-WAY MULTILOCK 040 / BLACK	'J' GATE / CENTER CONSOLE
SECURITY AND LOCKING CONTROL MODULE	CA18 / 12-WAY MULTILOCK 47 / SLATE CA19 / 22-WAY MULTILOCK 47 / SLATE CA20 / 16-WAY MULTILOCK 47 / SLATE CA21 / 26-WAY MULTILOCK 47 / SLATE	TRUNK, LH FRONT / TRUNK TRIM
STARTER MOTOR	ST1 / EYELET / WHITE ST2 / EYELET / WHITE	ENGINE, LH REAR (AJ16); ENGINE, RH REAR (V12)
SUPPRESSION MODULE	AN3 (FLY LEAD) / 2-WAY ECONOSEAL III LC / RED	ENGINE BAY, LH FRONT

RELAYS

Relay	Color / Stripe	Connector / Color	Location / Access
STARTER RELAY	BLACK	LS47 / BLACK	LH ENGINE BAY RELAYS

HARNESS-TO-HARNESS CONNECTORS

Connector	Type / Color	Location / Access
CC3	20-WAY MULTILOCK 040 / BLACK	CENTER CONSOLE / CENTER CONSOLE GLOVE BOX
CC5	20-WAY MULTILOCK 040 / GREEN	CENTER CONSOLE / CENTER CONSOLE GLOVE BOX
FC6	THROUGH-PANEL (48 MICRO / 6) / BLACK	RH FASCIA END PANEL / OUTER AIR VENT
FC7	THROUGH-PANEL (48 MICRO / 6) / BLACK	PASSENGER'S UNDERSCUTTLE
LS3	THROUGH-PANEL (48 MICRO / 6) / BLACK	LH 'A' POST / 'A' POST PANEL
PI1	13-WAY ECONOSEAL III LC / WHITE	REARWARD OF RH HEADLAMP
PI61	13-WAY ECONOSEAL III LC / BLACK	REARWARD OF RH HEADLAMP
PI63	20-WAY MULTILOCK 040 / BLACK	RH 'A' POST / 'A' POST TRIM
PI66	2-WAY ECONOSEAL II HC / BLACK	FORWARD OF LH ENGINE BAY FUSE BOX
PI142	2-WAY ECONOSEAL II HC / BLACK	ENGINE BAY BULKHEAD
RS3	THROUGH-PANEL (48 MICRO / 6) / BROWN	RH 'A' POST / 'A' POST PANEL

GROUNDS

Ground	Location / Type
CCG51R	CENTER CONSOLE GROUND STUD
FCG15L	LH CONSOLE GROUND STUD
FCG26R	LH CONSOLE GROUND STUD
ST9	BATTERY GROUND STUD

CONTROL MODULE PIN OUT INFORMATION (FOLD OUT PAGE)



The following symbols are used to represent values for Control Module Pin Out data:

I Input	B+ Battery voltage
O Output	V Voltage (DC)
SG Signal Ground	Hz Frequency
D Serial and encoded communications	KHz Frequency x 1000
	MS Milliseconds
	MV Millivolts

CAUTION: The information on this data page is furnished to aid the user in understanding circuit operation. THIS INFORMATION SHOULD BE USED FOR REFERENCE ONLY.

NOTE: The values listed are approximately those that can be expected at the control module connector pins with all circuit connections made and all components connected and fitted. "Active" means a load is applied or a switch is ON; "Inactive" means a load is not applied or a switch is OFF.

REFER TO THE FRONT OF THE BOOK FOR ILLUSTRATIONS DETAILING THE LOCATION AND IDENTIFICATION OF COMPONENTS, RELAYS, CONNECTORS, HARNESSSES, GROUNDS, VEHICLE CONTROL MODULES AND CONTROL MODULE PINS.

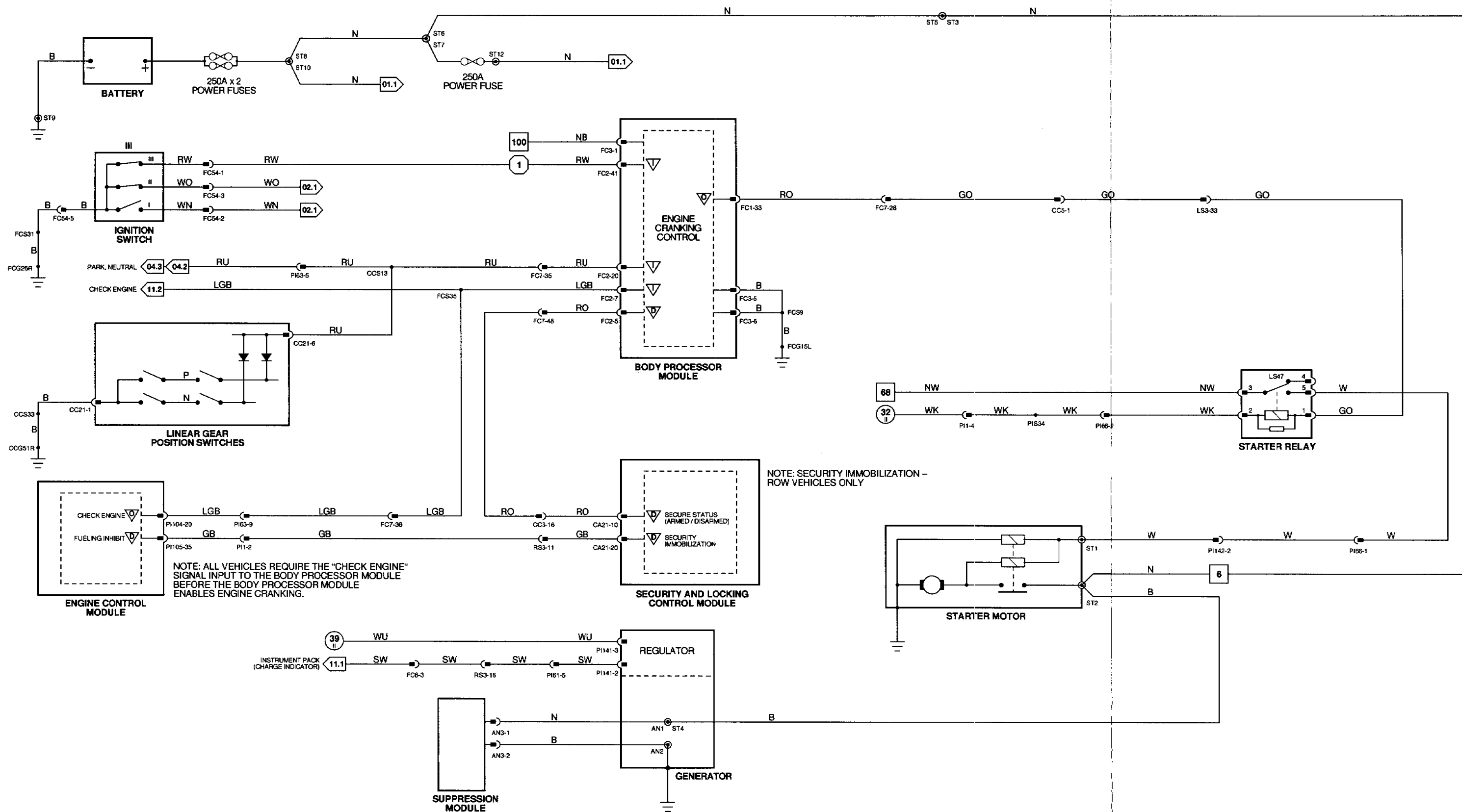


Fig. 03.3

CONTROL MODULE PIN OUT INFORMATION

ENGINE CONTROL MODULE (AJ16)

Pin	Description	Active	Inactive
O P1104-20	CHECK ENGINE MIL	GROUND	B+
D P1105-35	FUELING INHIBIT SIGNAL	ENCODED COMMUNICATIONS	

BODY PROCESSOR MODULE

Pin	Description	Active	Inactive
O FC1-33	STARTER RELAY INHIBIT	GROUND	B+
D FC2-5	SECURE STATUS INPUT FROM SECURITY AND LOCKING CONTROL MODULE	ENCODED COMMUNICATIONS	
I FC2-7	CHECK ENGINE MIL	GROUND	B+
I FC2-20	PARK / NEUTRAL SIGNAL	GROUND	B+
I FC2-41	INTERIOR LAMP EXTINGUISH DURING CRANK	GROUND	B+

SECURITY AND LOCKING CONTROL MODULE

Pin	Description	Active	Inactive
D CA21-10	SECURE STATUS OUTPUT TO BODY PROCESSOR	ENCODED COMMUNICATIONS	
D CA21-20	FUELING INHIBIT SIGNAL OUTPUT (NOT NAS)	ENCODED COMMUNICATIONS	

COMPONENTS

Component	Connector / Type / Color	Location / Access
BATTERY	ST8, ST10	TRUNK
BODY PROCESSOR MODULE	FC1 / 48-WAY PCB SIGNAL / YELLOW FC2 / 48-WAY PCB SIGNAL / BLACK FC3 / 6-WAY PCB SIGNAL / BLACK	PASSENGER'S UNDERSCUTTLE
ENGINE CONTROL MODULE (AJ16)	P1104 / 36-WAY ECONOSEAL III / BLACK P1105 / 36-WAY ECONOSEAL III / RED	RH 'A' POST / 'A' POST TRIM
GENERATOR	P1141 / 3-WAY NIPPON DENSO / BLACK	ENGINE, LH SIDE (AJ16), RH SIDE (V12)
IGNITION SWITCH	FC54 (FLY LEAD) / 8-WAY MULTILOCK 070 / WHITE	STEERING COLUMN / COVER
SECURITY AND LOCKING CONTROL MODULE	CA18 / 12-WAY MULTILOCK 47 / SLATE CA19 / 22-WAY MULTILOCK 47 / SLATE CA20 / 16-WAY MULTILOCK 47 / SLATE CA21 / 26-WAY MULTILOCK 47 / SLATE	TRUNK, LH FRONT / TRUNK TRIM
STARTER MOTOR	ST1 / EYELET / WHITE ST2 / EYELET / WHITE	ENGINE, LH REAR (AJ16); ENGINE, RH REAR (V12)
SUPPRESSION MODULE	AN3 (FLY LEAD) / 2-WAY ECONOSEAL III LC / RED	ENGINE BAY, LH FRONT

RELAYS

Relay	Color / Stripe	Connector / Color	Location / Access
STARTER RELAY	BLACK	LS47 / BLACK	LH ENGINE BAY RELAYS

HARNESSTO-HARNESSTO CONNECTORS

Connector	Type / Color	Location / Access
CC3	20-WAY MULTILOCK 040 / BLACK	CENTER CONSOLE / CENTER CONSOLE GLOVE BOX
CC5	20-WAY MULTILOCK 040 / GREEN	CENTER CONSOLE / CENTER CONSOLE GLOVE BOX
FC6	THROUGH-PANEL (48 MICRO / 6) / BLACK	RH FASCIA END PANEL / OUTER AIR VENT
FC7	THROUGH-PANEL (48 MICRO / 6) / BLACK	PASSENGER'S UNDERSCUTTLE
LS3	THROUGH-PANEL (48 MICRO / 6) / BLACK	LH 'A' POST / 'A' POST PANEL
P11	13-WAY ECONOSEAL III LC / WHITE	REARWARD OF RH HEADLAMP
P161	13-WAY ECONOSEAL III LC / BLACK	REARWARD OF RH HEADLAMP
P163	20-WAY MULTILOCK 040 / BLACK	RH 'A' POST / 'A' POST TRIM
P166	2-WAY ECONOSEAL III HC / BLACK	FORWARD OF LH ENGINE BAY FUSE BOX
P142	2-WAY ECONOSEAL III HC / BLACK	ENGINE BAY BULKHEAD
RS3	THROUGH-PANEL (48 MICRO / 8) / BROWN	RH 'A' POST / 'A' POST PANEL

GROUNDS

Ground	Location / Type
FCG15L	LH CONSOLE GROUND STUD
FCG26R	LH CONSOLE GROUND STUD
ST9	BATTERY GROUND STUD

CONTROL MODULE PIN OUT INFORMATION (FOLD OUT PAGE)



The following symbols are used to represent values for Control Module Pin Out data:

- I Input
- O Output
- SG Signal Ground
- D Serial and encoded communications
- B+ Battery voltage
- V Voltage (DC)
- Hz Frequency
- KHz Frequency x 1000
- MS Milliseconds
- MV Millivolts

CAUTION: The information on this data page is furnished to aid the user in understanding circuit operation. THIS INFORMATION SHOULD BE USED FOR REFERENCE ONLY.

NOTE: The values listed are approximately those that can be expected at the control module connector pins with all circuit connections made and all components connected and fitted. "Active" means a load is applied or a switch is ON; "Inactive" means a load is not applied or a switch is OFF.

REFER TO THE FRONT OF THE BOOK FOR ILLUSTRATIONS DETAILING THE LOCATION AND IDENTIFICATION OF COMPONENTS, RELAYS, CONNECTORS, HARNESSES, GROUNDS, VEHICLE CONTROL MODULES AND CONTROL MODULE PINS.

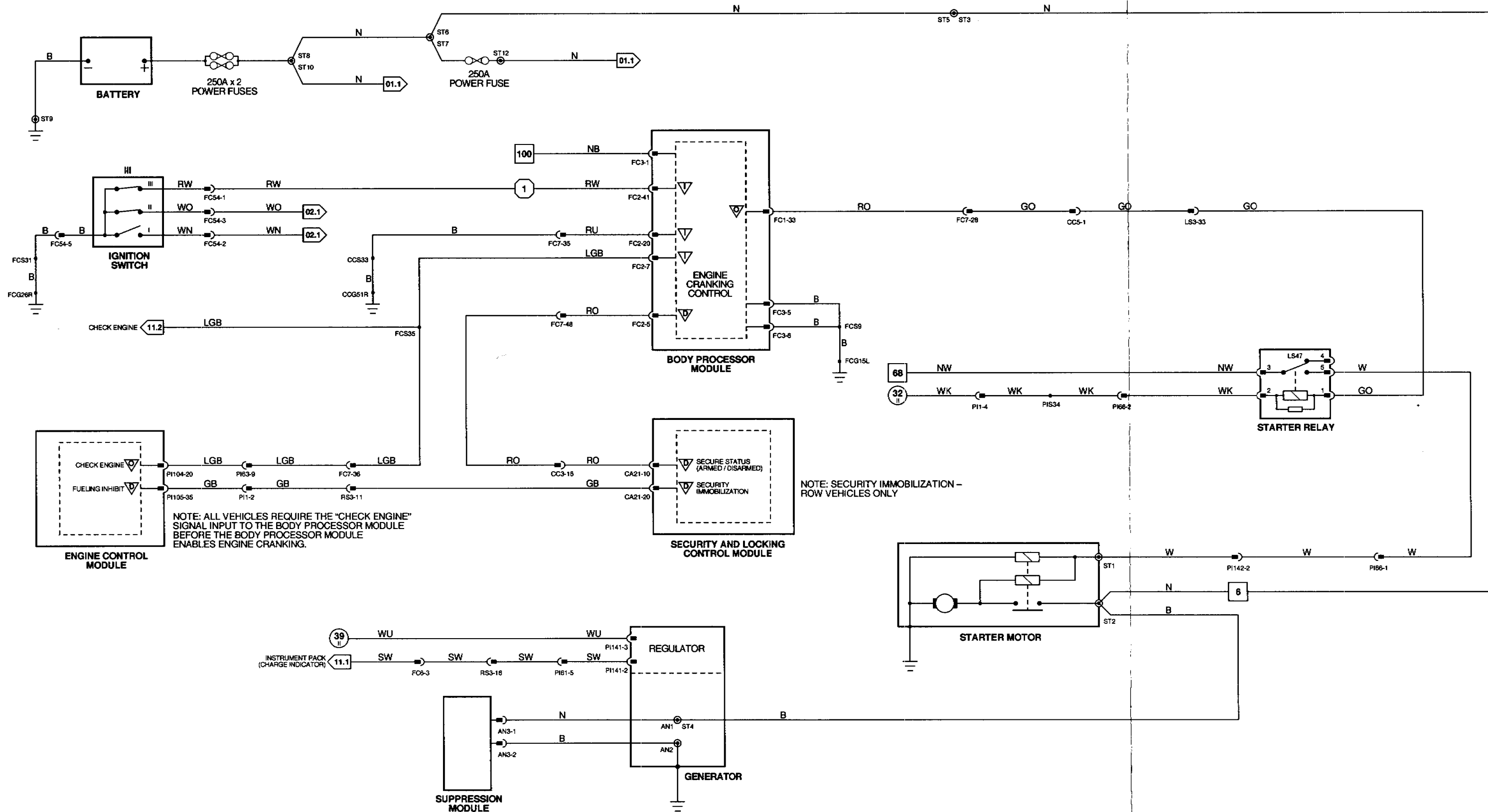


Fig. 03.4

CONTROL MODULE PIN OUT INFORMATION

ENGINE CONTROL MODULE (V12)

Pin	Description	Active	Inactive
O P144-2	CHECK ENGINE MIL	GROUND	B+
D P144-14	START INHIBIT	GROUND	B+

BODY PROCESSOR MODULE

Pin	Description	Active	Inactive
O FC1-33	STARTER RELAY INHIBIT	GROUND	B+
D FC2-5	SECURE STATUS INPUT FROM SECURITY AND LOCKING CONTROL MODULE	ENCODED COMMUNICATIONS	B+
I FC2-7	CHECK ENGINE MIL	GROUND	B+
I FC2-20	PARK / NEUTRAL SIGNAL	GROUND	B+
I FC2-41	INTERIOR LAMP EXTINGUISH DURING CRANK	GROUND	B+

SECURITY AND LOCKING CONTROL MODULE

Pin	Description	Active	Inactive
D CA21-10	SECURE STATUS OUTPUT TO BODY PROCESSOR	ENCODED COMMUNICATIONS	
D CA21-20	FUELING INHIBIT SIGNAL OUTPUT (NOT NAS)	ENCODED COMMUNICATIONS	

COMPONENTS

Component	Connector / Type / Color	Location / Access
BATTERY	ST8, ST10	TRUNK
BODY PROCESSOR MODULE	FC1 / 48-WAY PCB SIGNAL / YELLOW FC2 / 48-WAY PCB SIGNAL / BLACK FC3 / 8-WAY PCB SIGNAL / BLACK	PASSENGER'S UNDERSCUTTLE
ENGINE CONTROL MODULE (V12)	P144 / 28-WAY MULTILOCK 040 / SLATE P145 / 18-WAY MULTILOCK 040 / SLATE P146 / 22-WAY MULTILOCK 040 / SLATE P147 / 34-WAY MULTILOCK 040 / SLATE	RH 'A' POST / 'A' POST TRIM
GENERATOR	P1141 / 3-WAY NIPPON DENSO / BLACK	ENGINE, LH SIDE (AJ16), RH SIDE (V12)
IGNITION SWITCH	FC54 (FLY LEAD) / 8-WAY MULTILOCK 070 / WHITE	STEERING COLUMN / COVER
LINEAR GEAR POSITION SWITCHES	CC21 / 20-WAY MULTILOCK 040 / BLACK	'J' GATE / CENTER CONSOLE
SECURITY AND LOCKING CONTROL MODULE	CA18 / 12-WAY MULTILOCK 47 / SLATE CA19 / 22-WAY MULTILOCK 47 / SLATE CA20 / 16-WAY MULTILOCK 47 / SLATE CA21 / 26-WAY MULTILOCK 47 / SLATE	TRUNK, LH FRONT / TRUNK TRIM
STARTER MOTOR	ST1 / EYELET / WHITE ST2 / EYELET / WHITE	ENGINE, LH REAR (AJ16); ENGINE, RH REAR (V12)
SUPPRESSION MODULE	AN3 (FLY LEAD) / 2-WAY ECONOSEAL III LC / RED	ENGINE BAY, LH FRONT

RELAYS

Relay	Color / Stripe	Connector / Color	Location / Access
STARTER RELAY	BLACK	LS47 / BLACK	LH ENGINE BAY RELAYS

HARNESS-TO-HARNESS CONNECTORS

Connector	Type / Color	Location / Access
CC3	20-WAY MULTILOCK 040 / BLACK	CENTER CONSOLE / CENTER CONSOLE GLOVE BOX
CC5	20-WAY MULTILOCK 040 / GREEN	CENTER CONSOLE / CENTER CONSOLE GLOVE BOX
FC8	THROUGH-PANEL (48 MICRO / 6) / BLACK	RH FASCIA END PANEL / OUTER AIR VENT
FC7	THROUGH-PANEL (48 MICRO / 6) / BLACK	PASSENGER'S UNDERSCUTTLE
LS3	THROUGH-PANEL (48 MICRO / 6) / BLACK	LH 'A' POST / 'A' POST PANEL
PI1	13-WAY ECONOSEAL III LC / WHITE	REARWARD OF RH HEADLAMP
PI61	13-WAY ECONOSEAL III LC / BLACK	REARWARD OF RH HEADLAMP
PI63	20-WAY MULTILOCK 040 / BLACK	RH 'A' POST / 'A' POST TRIM
PI66	2-WAY ECONOSEAL III HC / BLACK	FORWARD OF LH ENGINE BAY FUSE BOX
PI142	2-WAY ECONOSEAL III HC / BLACK	ENGINE BAY BULKHEAD
RS3	THROUGH-PANEL (48 MICRO / 6) / BROWN	RH 'A' POST / 'A' POST PANEL

GROUNDS

Ground	Location / Type
CCG51R	CENTER CONSOLE GROUND STUD
FCG15L	LH CONSOLE GROUND STUD
FCG26R	LH CONSOLE GROUND STUD
ST9	BATTERY GROUND STUD

CONTROL MODULE PIN OUT INFORMATION (FOLD OUT PAGE)



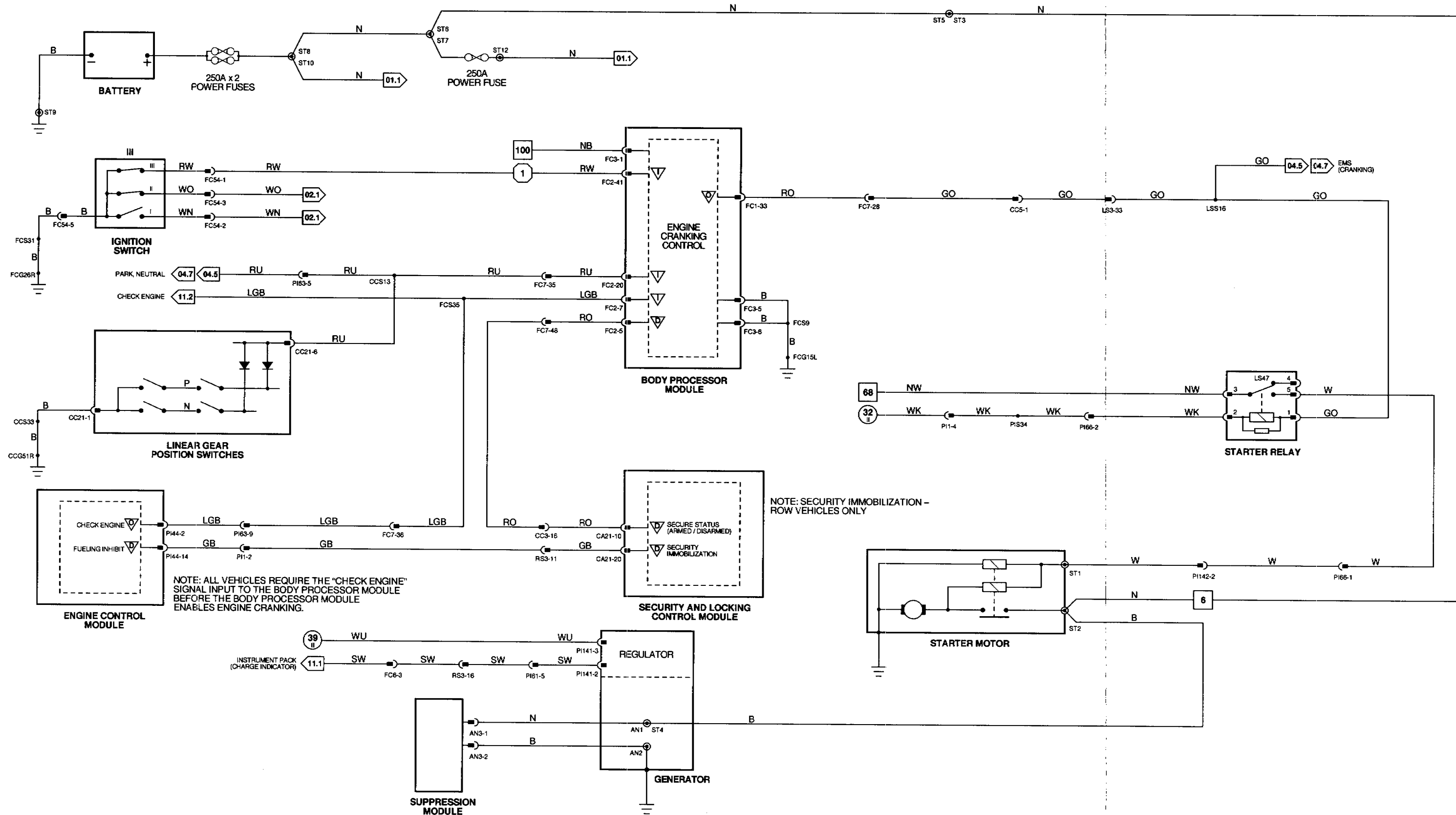
The following symbols are used to represent values for Control Module Pin Out data:

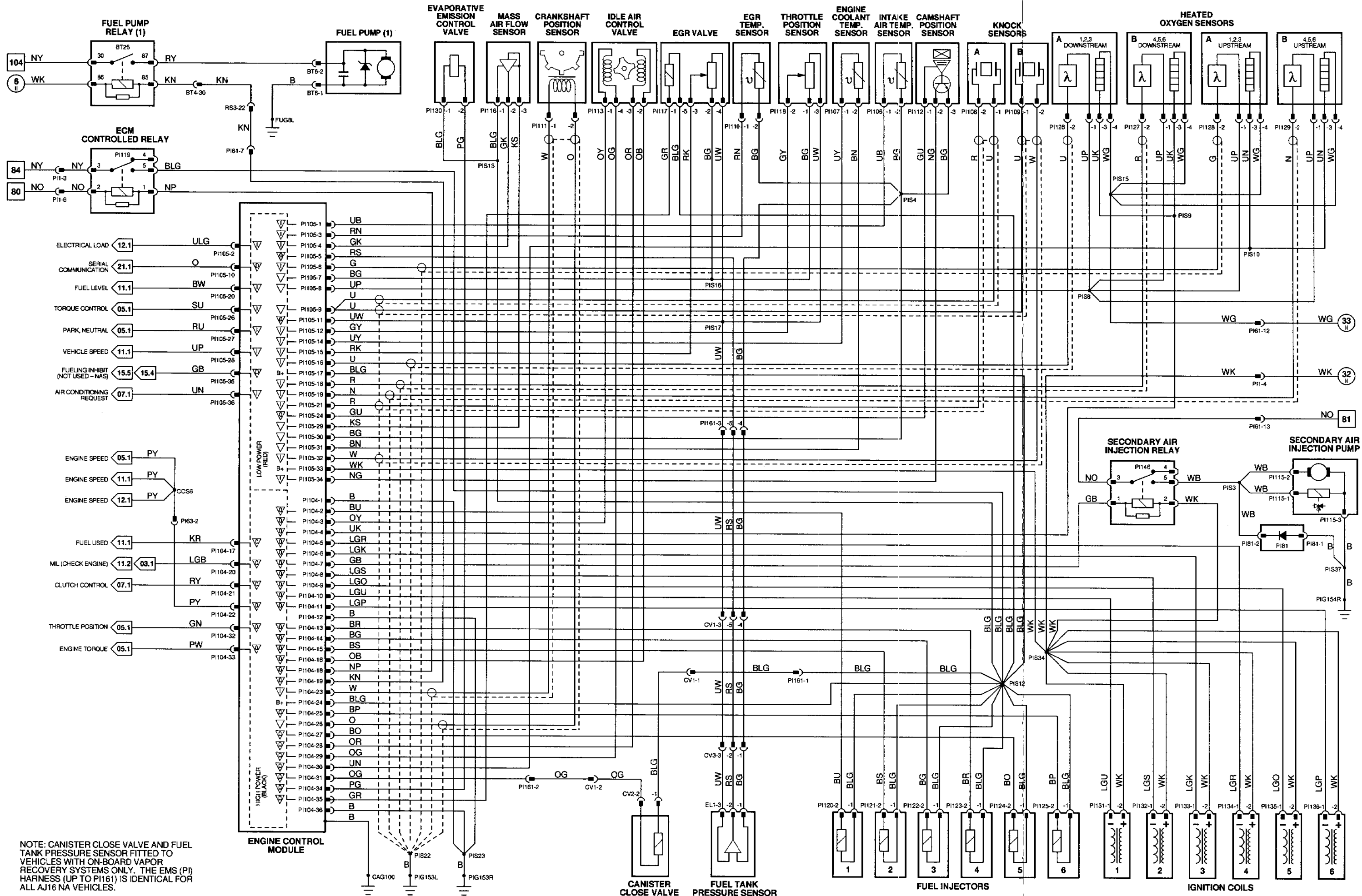
- I Input
- O Output
- SG Signal Ground
- D Serial and encoded communications
- B+ Battery voltage
- V Voltage (DC)
- Hz Frequency
- KHz Frequency x 1000
- MS Milliseconds
- MV Millivolts

CAUTION: The information on this data page is furnished to aid the user in understanding circuit operation. THIS INFORMATION SHOULD BE USED FOR REFERENCE ONLY.

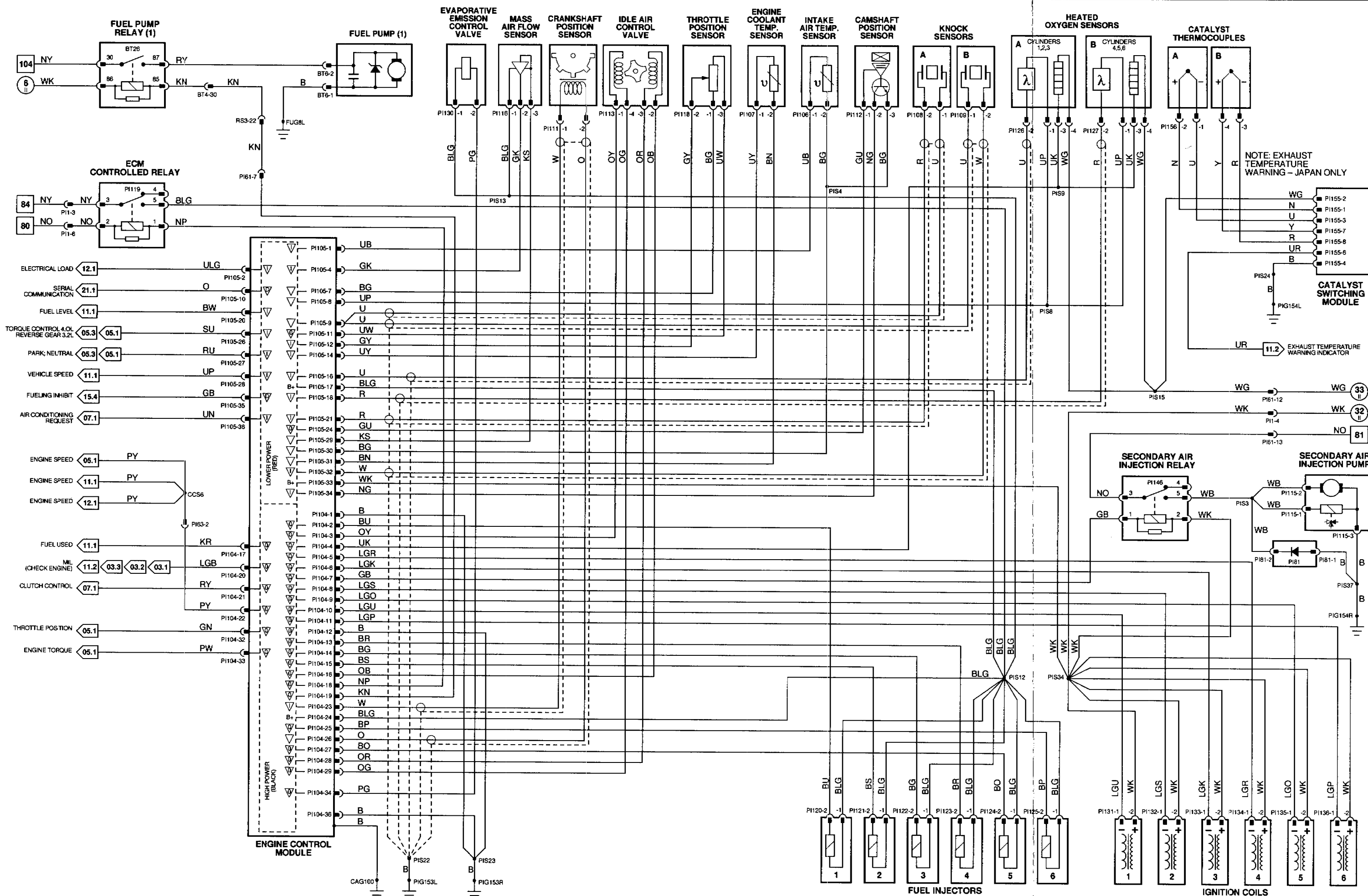
NOTE: The values listed are approximately those that can be expected at the control module connector pins with all circuit connections made and all components connected and fitted. "Active" means a load is applied or a switch is ON; "Inactive" means a load is not applied or a switch is OFF.

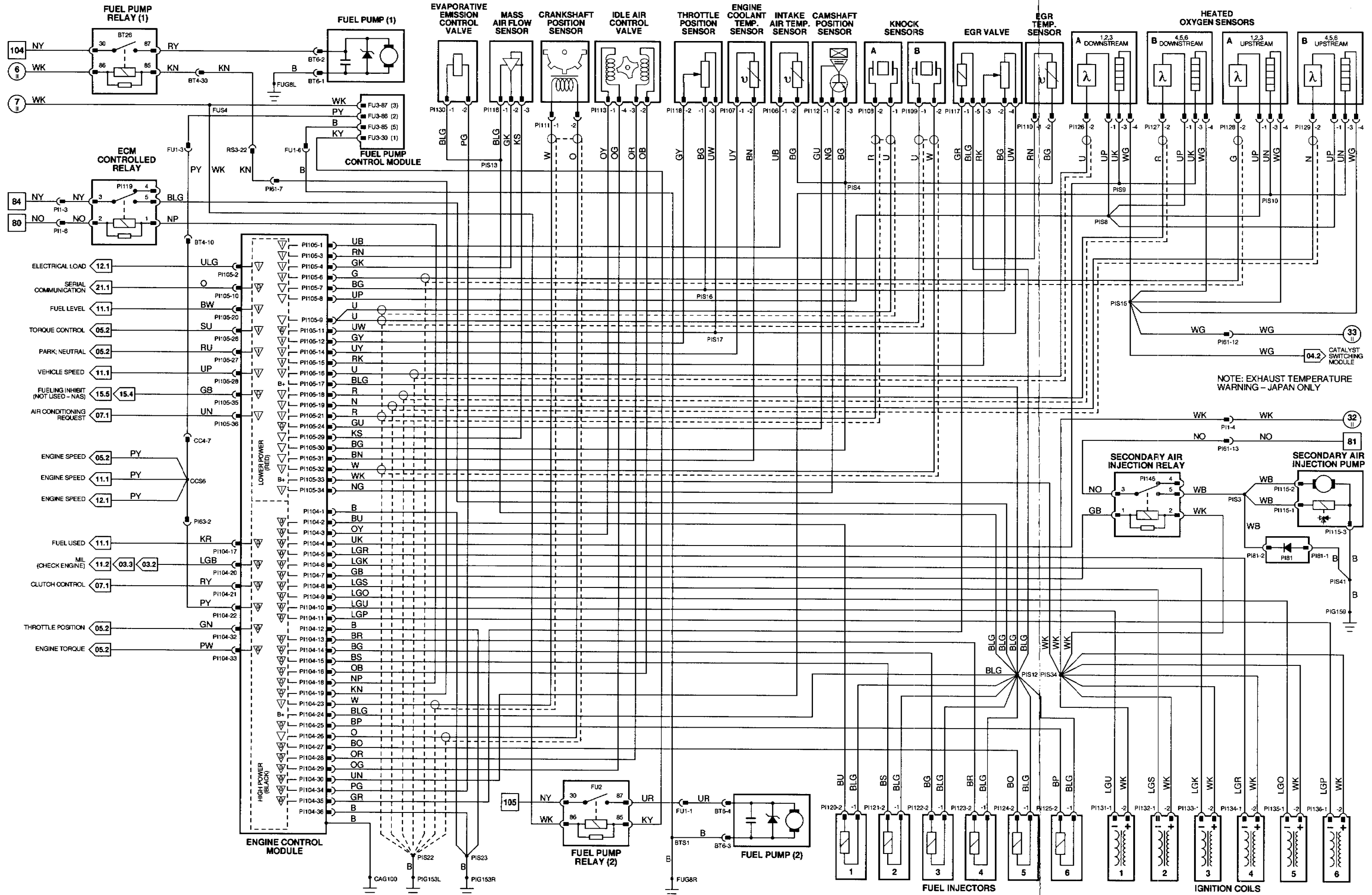
REFER TO THE FRONT OF THE BOOK FOR ILLUSTRATIONS DETAILING THE LOCATION AND IDENTIFICATION OF COMPONENTS, RELAYS, CONNECTORS, HARNESSES, GROUNDS, VEHICLE CONTROL MODULES AND CONTROL MODULE PINS.





NOTE: CANISTER CLOSE VALVE AND FUEL TANK PRESSURE SENSOR FITTED TO VEHICLES WITH ON-BOARD VAPOR RECOVERY SYSTEMS ONLY. THE EMS (PI) HARNESS (UP TO P1161) IS IDENTICAL FOR ALL AJ16 NA VEHICLES.





NOTE: EXHAUST TEMPERATURE WARNING - JAPAN ONLY

CONTROL MODULE PIN OUT INFORMATION

ENGINE CONTROL MODULE (V12)

Pin	Description	Active	Inactive
I P144-26	FLEXIBLE FUEL SELECT LINK (DEALER FIT)	GROUND (FITTED)	B+
I P145-1	MAP SENSOR FEEDBACK - B BANK	1.7 V @ IDLE, INCREASING WITH MANIFOLD ABSOLUTE PRESSURE	
I P145-2	MAP SENSOR FEEDBACK - A BANK	1.7 V @ IDLE, INCREASING WITH MANIFOLD ABSOLUTE PRESSURE	
I P145-3	IDLE SWITCH	GROUND	B+
I P145-4	THROTTLE POSITION SENSOR FEEDBACK VOLTAGE	0.58 V @ IDLE, 4.75 V @ FULL THROTTLE	
I P145-5	COOLANT TEMPERATURE SENSOR	0.41 V @ 90° C, INCREASING WITH TEMPERATURE	
I P145-6	INTAKE AIR TEMPERATURE SENSOR	0.59 V @ 10° C, INCREASING WITH TEMPERATURE	
O P145-7	COMMON SENSOR REFERENCE VOLTAGE	5 V	5 V
I P145-8	DOWNSTREAM HO2S FEEDBACK - B BANK	0.1 - 0.8 V (SWING)	
I P145-9	DOWNSTREAM HO2S FEEDBACK - A BANK	0.1 - 0.8 V (SWING)	
I P145-10	UPSTREAM HO2S FEEDBACK - B BANK	0.1 - 0.8 V (SWING)	
I P145-11	UPSTREAM HO2S FEEDBACK - A BANK	0.1 - 0.8 V (SWING)	
SG P145-15	COMMON SENSOR SHIELD GROUND	GROUND	GROUND
SG P145-16	COMMON SENSOR REFERENCE GROUND	GROUND	GROUND
O P146-3	DOWNSTREAM HO2S HEATER GROUND - B BANK	GROUND	B+
O P146-4	DOWNSTREAM HO2S HEATER GROUND - A BANK	GROUND	B+
O P146-5	UPSTREAM HO2S HEATER GROUND - B BANK	GROUND	B+
O P146-6	UPSTREAM HO2S HEATER GROUND - A BANK	GROUND	B+
I P146-8	CAMSHAFT POSITION SENSOR	GROUND PULSE @ 1000 RPM = 8 Hz, 2000 RPM = 16 Hz	
SG P146-12	CAMSHAFT POSITION SENSOR	GROUND	GROUND
I P146-13	CRANKSHAFT POSITION SENSOR	GROUND PULSE @ 1000 RPM = 15 Hz, 2000 RPM = 30 Hz	
I P146-14	ENGINE SPEED SENSOR	GROUND PULSE @ 1000 RPM = 175 Hz, 2000 RPM = 350 Hz	
SG P146-18	CRANKSHAFT POSITION SENSOR	GROUND	GROUND
SG P146-19	ENGINE SPEED SENSOR	GROUND	GROUND
O P147-1	IDLE AIR CONTROL VALVE CLOSE - B BANK	4.8 V @ IDLE	
O P147-2	IDLE AIR CONTROL VALVE OPEN - B BANK	9.8 V @ IDLE	
O P147-3	IDLE AIR CONTROL VALVE CLOSE - A BANK	4.8 V @ IDLE	
O P147-4	IDLE AIR CONTROL VALVE OPEN - A BANK	9.8 V @ IDLE	
O P147-12	FUEL PUMP RELAY 2	GROUND	B+
O P147-29	FUEL PUMP RELAY 1	GROUND	B+

The following symbols are used to represent values for Control Module Pin Out data:

I	Input	B+	Battery voltage
O	Output	V	Voltage (DC)
SG	Signal Ground	Hz	Frequency
D	Serial and encoded communications	KHz	Frequency x 1000
		MS	Milliseconds
		MV	Millivolts

CAUTION: The information on this data page is furnished to aid the user in understanding circuit operation. THIS INFORMATION SHOULD BE USED FOR REFERENCE ONLY.

NOTE: The values listed are approximately those that can be expected at the control module connector pins with all circuit connections made and all components connected and fitted. "Active" means a load is applied or a switch is ON; "Inactive" means a load is not applied or a switch is OFF.

Fig. 04.4

COMPONENTS

Component	Connector / Type / Color	Location / Access
CAMSHAFT POSITION SENSOR (V12)	P13 (FLY LEAD) / 2-WAY ECONOSEAL III LC / BLACK	A BANK CAMSHAFT COVER
CRANKSHAFT POSITION SENSOR	P12 (FLY LEAD) / 2-WAY ECONOSEAL III LC / BLACK	ENGINE TIMING COVER
ENGINE CONTROL MODULE (V12)	P144 / 28-WAY MULTILOCK 040 / SLATE P145 / 16-WAY MULTILOCK 040 / SLATE P146 / 22-WAY MULTILOCK 040 / SLATE P147 / 34-WAY MULTILOCK 040 / SLATE	RH 'A' POST / 'A' POST TRIM
ENGINE COOLANT TEMPERATURE SENSOR (V12)	P15 / 2-WAY ECONOSEAL J / SLATE	B BANK THERMOSTAT HOUSING
ENGINE SPEED SENSOR	P123 (FLY LEAD) / 2-WAY ECONOSEAL III LC / BLACK	ENGINE VEE, REAR
FUEL PUMP (1)	BT8 (FLY LEAD) / 4-WAY SUMITOMO 90 / WHITE	FUEL TANK / FUEL TANK TRIM
FUEL PUMP (2)	BT6 (FLY LEAD) / 4-WAY SUMITOMO 90 / WHITE	FUEL TANK / FUEL TANK TRIM
HEATED OXYGEN SENSOR (V12 A DOWNSTREAM)	CA98 (FLY LEAD) / 4-WAY YAZAKI / WHITE	A BANK EXHAUST, DOWNSTREAM OF PRIMARY CATALYST
HEATED OXYGEN SENSOR (V12 A UPSTREAM)	P125 (FLY LEAD) / 4-WAY SUMITOMO 90 / SLATE	A BANK EXHAUST, UPSTREAM OF PRIMARY CATALYST
HEATED OXYGEN SENSOR (V12 B DOWNSTREAM)	CA99 (FLY LEAD) / 4-WAY YAZAKI / WHITE	B BANK EXHAUST, DOWNSTREAM OF PRIMARY CATALYST
HEATED OXYGEN SENSOR (V12 B UPSTREAM)	P127 (FLY LEAD) / 4-WAY SUMITOMO 90 / SLATE	B BANK EXHAUST, UPSTREAM OF PRIMARY CATALYST
IDLE AIR CONTROL VALVE (V12 A BANK)	P126 / 3-WAY SUMITOMO 90 / SLATE	A BANK THROTTLE BODY
IDLE AIR CONTROL VALVE (V12 B BANK)	P130 / 3-WAY SUMITOMO 90 / SLATE	B BANK THROTTLE BODY
INTAKE AIR TEMPERATURE SENSOR (V12)	P16 / 2-WAY JUNIOR TIMER / BLACK	A BANK AIR INTAKE
MANIFOLD ABSOLUTE PRESSURE SENSOR (V12 A BANK)	P19 / 3-WAY SUMITOMO 90 / BLACK	A BANK INTAKE MANIFOLD, REAR
MANIFOLD ABSOLUTE PRESSURE SENSOR (V12 B BANK)	P150 / 3-WAY SUMITOMO 90 / BLACK	B BANK INTAKE MANIFOLD, REAR
THROTTLE POSITION SENSOR (V12)	P17 / 4-WAY ECONOSEAL J / BLACK	THROTTLE TURNABLE

RELAYS

Relay	Color / Stripe	Connector / Color	Location / Access
FUEL PUMP RELAY (1)	BLACK / VIOLET	BT26 / GREEN	TRUNK ELECTRICAL CARRIER
FUEL PUMP RELAY (2)	BLUE	FU2 / YELLOW	BATTERY COVER

HARNESSTO-HARNESSTO CONNECTORS

Connector	Type / Color	Location / Access
BT4	THROUGH-PANEL (48 MICRO / 6) / BLACK	ABOVE FUEL TANK / FUEL TANK TRIM
FU1	6-WAY MULTILOCK 070 / WHITE	FUEL TANK TRIM / BATTERY COVER
P11	13-WAY ECONOSEAL III LC / WHITE	REARWARD OF RH HEADLAMP
P161	13-WAY ECONOSEAL III LC / BLACK	REARWARD OF RH HEADLAMP
P173	2-WAY MULTILOCK 070 / YELLOW	RH 'A' POST / 'A' POST TRIM
P174	8-WAY MULTILOCK 070 / YELLOW	RH 'A' POST, ECM / 'A' POST TRIM
RS3	THROUGH-PANEL (48 MICRO / 6) / BROWN	RH 'A' POST / 'A' POST PANEL

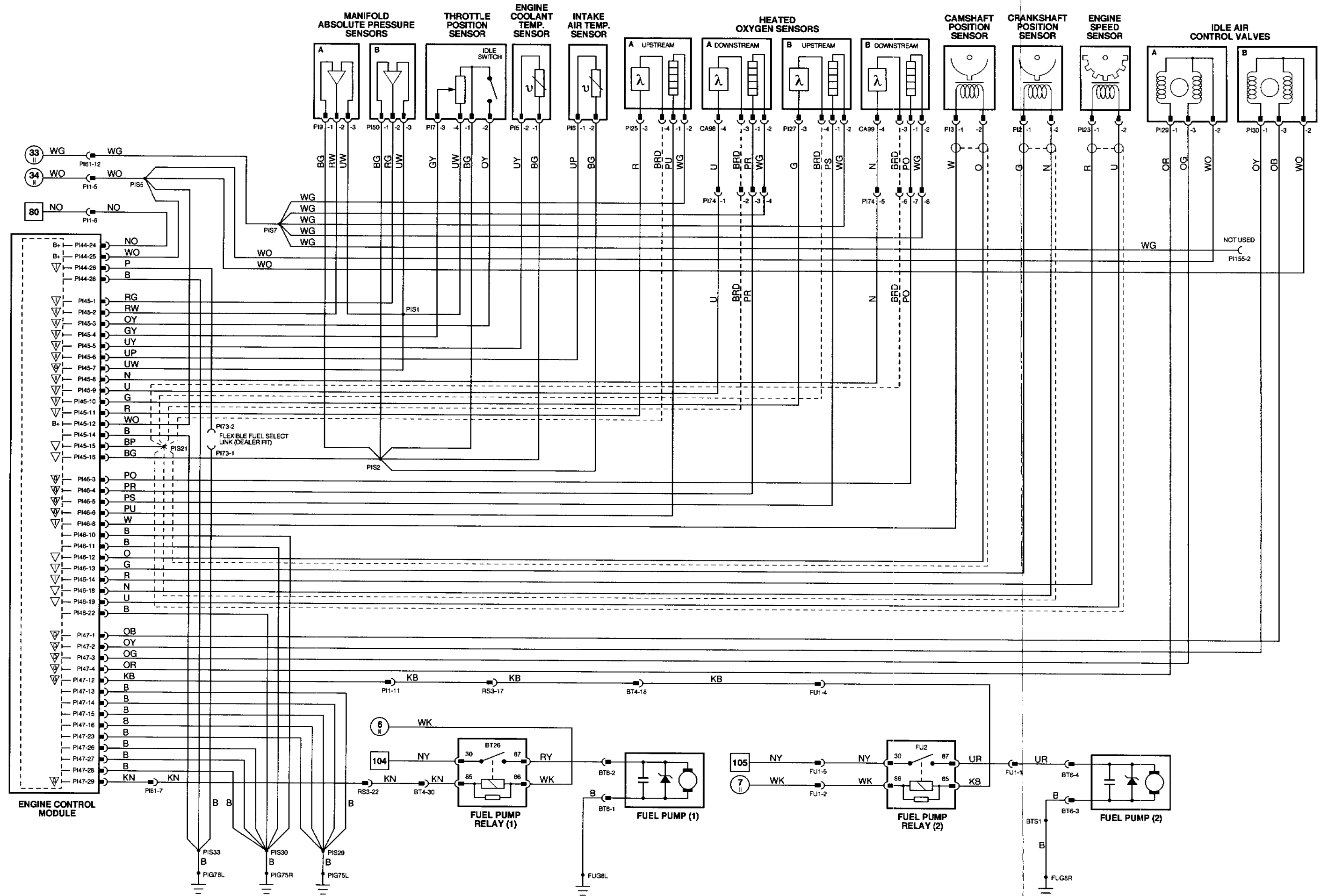
GROUNDS

Ground	Location / Type
FUG8L	FRONT TRUNK GROUND STUD
FUG8R	FRONT TRUNK GROUND STUD
PIG75L	RH 'A' POST GROUND STUD
PIG75R	RH 'A' POST GROUND STUD
PIG78L	RH BULKHEAD GROUND STUD

CONTROL MODULE PIN OUT INFORMATION (FOLD OUT PAGE)



REFER TO THE FRONT OF THE BOOK FOR ILLUSTRATIONS DETAILING THE LOCATION AND IDENTIFICATION OF COMPONENTS, RELAYS, CONNECTORS, HARNESSES, GROUNDS, VEHICLE CONTROL MODULES AND CONTROL MODULE PINS.



CONTROL MODULE PIN OUT INFORMATION

ENGINE CONTROL MODULE (V12)

Pin	Description	Active	Inactive
O P144-1	FUEL USED	GROUND PULSE, 10 Hz @ IDLE	
O P144-2	CHECK ENGINE MIL	GROUND	B+
O P144-3	ENGINE TORQUE SIGNAL	11.5 V @ IDLE, DECREASING WITH TORQUE INCREASE	
O P144-4	THROTTLE POSITION	1.4 V @ IDLE, 9 V @ FULL THROTTLE	
O P144-5	LOAD INHIBIT SIGNAL	GROUND	B+
I P144-6	TORQUE REDUCTION	GROUND PULSE @ SHIFT	11.5 V @ IDLE
I P144-7	VEHICLE SPEED	GROUND	B+
O P144-10	ENGINE SPEED	5 V @ 1000 RPM = 45 Hz, 2000 RPM = 90 Hz	
I P144-12	ELECTRICAL LOAD: HEATED WINDSHIELD, HEATED BACK LIGHT, OR BLOWERS ON HIGH SPEED	GROUND	B+
I P144-13	AIR CONDITIONING REQUEST	B+	GROUND
D P144-14	FUELING INHIBIT SIGNAL	ENCODED COMMUNICATIONS	
I P144-18	PARK / NEUTRAL	GROUND	B+
I P144-21	FUEL LEVEL	B+	GROUND
D P144-22	SERIAL COMMUNICATION INPUT		
D P144-23	SERIAL COMMUNICATION OUTPUT		
I P144-26	FLEXIBLE FUEL SELECT LINK (DEALER FIT)	GROUND (FITTED)	B+
I P145-13	POWER STEERING PRESSURE SWITCH	GROUND	B+
I P146-7	CRANK SIGNAL	GROUND	B+
O P146-16	AIR CONDITIONING CLUTCH RELAY	GROUND	B+
O P146-17	SECONDARY AIR INJECTION RELAY	GROUND	B+
I P146-20	IGNITION FAILURE - B BANK	B+	1.7 V
I P146-21	IGNITION FAILURE - A BANK	B+	1.7 V
O P147-5	FUEL INJECTORS 3 & 5 - B BANK	GROUND PULSE, 3.5 MS @ IDLE	
O P147-6	FUEL INJECTORS 2 & 4 - A BANK	GROUND PULSE, 3.5 MS @ IDLE	
O P147-7	FUEL INJECTORS 1 & 4 - B BANK	GROUND PULSE, 3.5 MS @ IDLE	
O P147-8	FUEL INJECTORS 3 & 6 - A BANK	GROUND PULSE, 3.5 MS @ IDLE	
O P147-9	FUEL INJECTORS 2 & 6 - B BANK	GROUND PULSE, 3.5 MS @ IDLE	
O P147-10	FUEL INJECTORS 1 & 5 - A BANK	GROUND PULSE, 3.5 MS @ IDLE	
O P147-11	SECONDARY AIR VACUUM SOLENOID VALVE	B+	GROUND
O P147-17	IGNITION MODULE NEGATIVE - 3B	GROUND PULSE, 1000 RPM = 15 Hz	
O P147-18	IGNITION MODULE NEGATIVE - 2B	GROUND PULSE, 1000 RPM = 15 Hz	
O P147-19	IGNITION MODULE NEGATIVE - 1B	GROUND PULSE, 1000 RPM = 15 Hz	
O P147-20	IGNITION MODULE NEGATIVE - 3A	GROUND PULSE, 1000 RPM = 15 Hz	
O P147-21	IGNITION MODULE NEGATIVE - 2A	GROUND PULSE, 1000 RPM = 15 Hz	
O P147-22	IGNITION MODULE NEGATIVE - 1A	GROUND PULSE, 1000 RPM = 15 Hz	
O P147-33	EVAP VALVE - B BANK	B+	GROUND
O P147-34	EVAP VALVE - A BANK	B+	GROUND

Fig. 04.5

COMPONENTS

Component	Connector / Type / Color	Location / Access
DIODE (P181) - AIRP SOLENOID SUPPRESSION	P181 / DIODE / BLACK	EMS HARNESS / SECONDARY AIR INJECTION PUMP
ENGINE CONTROL MODULE (V12)	P144 / 28-WAY MULTILOCK 040 / SLATE P145 / 16-WAY MULTILOCK 040 / SLATE P146 / 22-WAY MULTILOCK 040 / SLATE P147 / 34-WAY MULTILOCK 040 / SLATE	RH 'A' POST / 'A' POST TRIM
EVAPORATIVE EMISSION CONTROL VALVE (V12 A BANK)	P118 / 2-WAY JUNIOR TIMER / BLACK	BELOW LH FRONT RELAYS
EVAPORATIVE EMISSION CONTROL VALVE (V12 B BANK)	P119 / 2-WAY JUNIOR TIMER / BLACK	BELOW LH FRONT RELAYS
FUEL INJECTOR (V12 A BANK 1)	P132 / 2-WAY JUNIOR TIMER / SLATE	FUEL RAIL, INTAKE MANIFOLD
FUEL INJECTOR (V12 A BANK 2)	P133 / 2-WAY JUNIOR TIMER / SLATE	FUEL RAIL, INTAKE MANIFOLD
FUEL INJECTOR (V12 A BANK 3)	P134 / 2-WAY JUNIOR TIMER / SLATE	FUEL RAIL, INTAKE MANIFOLD
FUEL INJECTOR (V12 A BANK 4)	P135 / 2-WAY JUNIOR TIMER / SLATE	FUEL RAIL, INTAKE MANIFOLD
FUEL INJECTOR (V12 A BANK 5)	P136 / 2-WAY JUNIOR TIMER / SLATE	FUEL RAIL, INTAKE MANIFOLD
FUEL INJECTOR (V12 A BANK 6)	P137 / 2-WAY JUNIOR TIMER / SLATE	FUEL RAIL, INTAKE MANIFOLD
FUEL INJECTOR (V12 B BANK 1)	P138 / 2-WAY JUNIOR TIMER / SLATE	FUEL RAIL, INTAKE MANIFOLD
FUEL INJECTOR (V12 B BANK 2)	P139 / 2-WAY JUNIOR TIMER / SLATE	FUEL RAIL, INTAKE MANIFOLD
FUEL INJECTOR (V12 B BANK 3)	P140 / 2-WAY JUNIOR TIMER / SLATE	FUEL RAIL, INTAKE MANIFOLD
FUEL INJECTOR (V12 B BANK 4)	P141 / 2-WAY JUNIOR TIMER / SLATE	FUEL RAIL, INTAKE MANIFOLD
FUEL INJECTOR (V12 B BANK 5)	P142 / 2-WAY JUNIOR TIMER / SLATE	FUEL RAIL, INTAKE MANIFOLD
FUEL INJECTOR (V12 B BANK 6)	P143 / 2-WAY JUNIOR TIMER / SLATE	FUEL RAIL, INTAKE MANIFOLD
IGNITION COIL (V12 A BANK)	P112 / 4-WAY SUB-MINIATURE / BLACK	ENGINE VEE
IGNITION COIL (V12 B BANK)	P113 / 4-WAY SUB-MINIATURE / BLACK	ENGINE VEE
IGNITION MODULE (V12 A BANK)	P110 / 8-WAY SUMITOMO 90 / SLATE	ENGINE BAY, RH INNER FENDER
IGNITION MODULE (V12 B BANK)	P111 / 8-WAY SUMITOMO 90 / SLATE	ENGINE BAY, RH INNER FENDER
POWER STEERING PRESSURE SWITCH	P168 / 2-WAY JUNIOR TIMER / BLACK	POWER STEERING PUMP
SECONDARY AIR INJECTION CLUTCH	P121 (FLY LEAD) / 2-WAY ECONOSEAL III LC / BLACK	SECONDARY AIR INJECTION PUMP
SECONDARY AIR INJECTION SWITCHING VALVE	P122 / 2-WAY DENSO / BLUE	A BANK INTAKE MANIFOLD / REAR

RELAYS

Relay	Color / Stripe	Connector / Color	Location / Access
FUEL INJECTOR RELAY (MAIN RELAY) (V12)	BLACK	P120 / BLACK	RH ENGINE BAY RELAYS
SECONDARY AIR INJECTION RELAY (V12)	BLACK / WHITE	P152 / BLACK	RH ENGINE BAY RELAYS
IGNITION COIL RELAY (V12)	BLACK	P153 / BLACK	RH ENGINE BAY RELAYS

HARNESS-TO-HARNESS CONNECTORS

Connector	Type / Color	Location / Access
P11	13-WAY ECONOSEAL III LC / WHITE	REARWARD OF RH HEADLAMP
P159	13-WAY ECONOSEAL III LC / BLACK	FORWARD OF LH ENGINE BAY FUSE BOX
P161	13-WAY ECONOSEAL III LC / BLACK	REARWARD OF RH HEADLAMP
P163	20-WAY MULTILOCK 040 / BLACK	RH 'A' POST / 'A' POST TRIM
P173	2-WAY MULTILOCK 070 / YELLOW	RH 'A' POST / 'A' POST TRIM

GROUNDS

Ground	Location / Type
PIG75L	RH 'A' POST GROUND STUD
PIG75R	RH 'A' POST GROUND STUD
PIG76L	RH BULKHEAD GROUND STUD
PIG77R	RIGHT FORWARD EMS GROUND STUD

CONTROL MODULE PIN OUT INFORMATION (FOLD OUT PAGE)



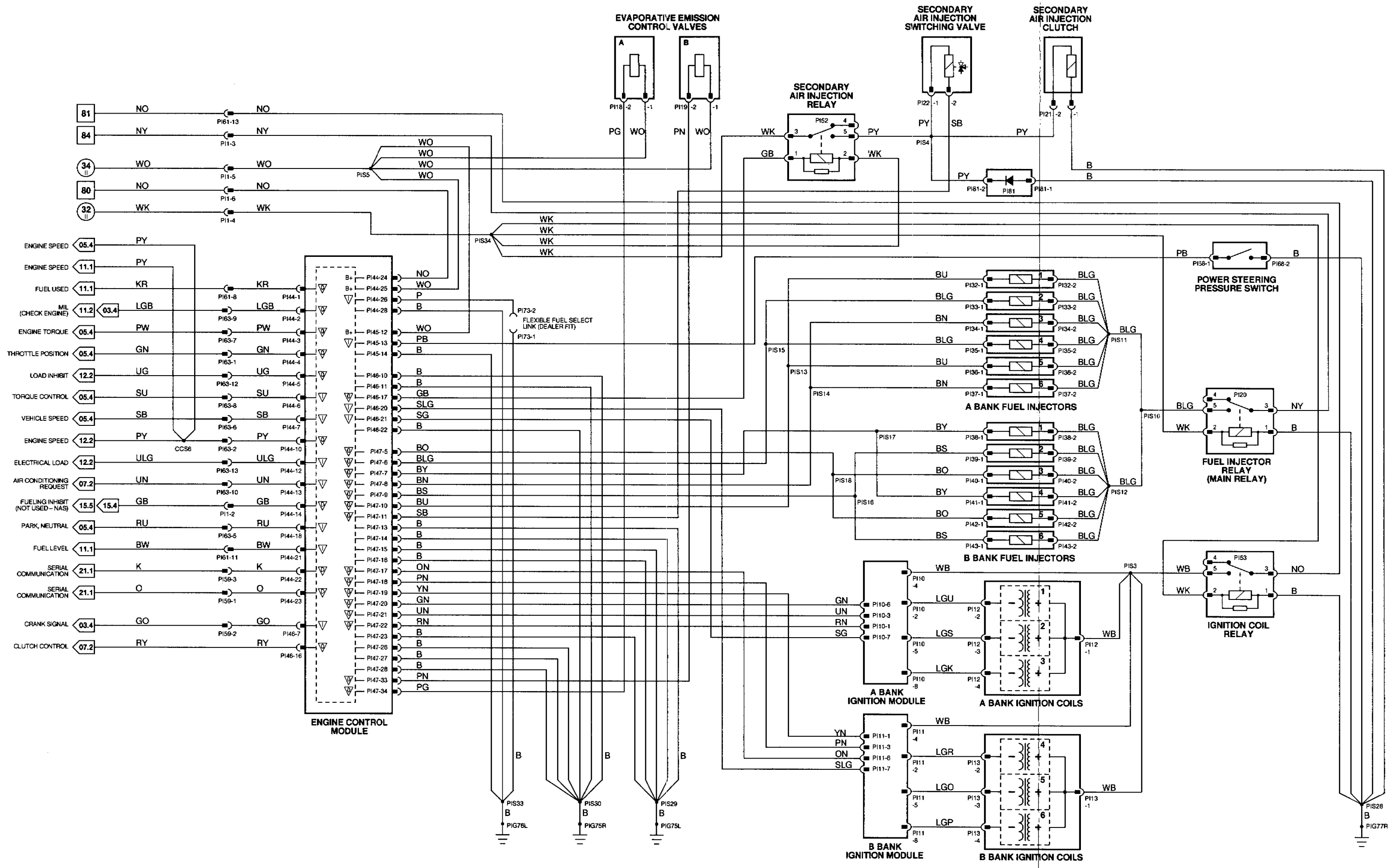
The following symbols are used to represent values for Control Module Pin Out data:

I	Input	B+	Battery voltage
O	Output	V	Voltage (DC)
SG	Signal Ground	Hz	Frequency
D	Serial and encoded communications	KHz	Frequency x 1000
		MS	Milliseconds
		MV	Millivolts

CAUTION: The information on this data page is furnished to aid the user in understanding circuit operation. THIS INFORMATION SHOULD BE USED FOR REFERENCE ONLY.

NOTE: The values listed are approximately those that can be expected at the control module connector pins with all circuit connections made and all components connected and fitted. "Active" means a load is applied or a switch is ON; "Inactive" means a load is not applied or a switch is OFF.

REFER TO THE FRONT OF THE BOOK FOR ILLUSTRATIONS DETAILING THE LOCATION AND IDENTIFICATION OF COMPONENTS, RELAYS, CONNECTORS, HARNESSES, GROUNDS, VEHICLE CONTROL MODULES AND CONTROL MODULE PINS.



CONTROL MODULE PIN OUT INFORMATION

ENGINE CONTROL MODULE (V12)

Pin	Description	Active	Inactive
I P144-26	FLEXIBLE FUEL SELECT LINK (DEALER FIT)	GROUND (FITTED)	B+
I P145-1	MAP SENSOR FEEDBACK - B BANK	1.7 V @ IDLE, INCREASING WITH MANIFOLD ABSOLUTE PRESSURE	
I P145-2	MAP SENSOR FEEDBACK - A BANK	1.7 V @ IDLE, INCREASING WITH MANIFOLD ABSOLUTE PRESSURE	
I P145-3	IDLE SWITCH	GROUND	B+
I P145-4	THROTTLE POSITION SENSOR FEEDBACK VOLTAGE	0.58 V @ IDLE, 4.75 V @ FULL THROTTLE	
I P145-5	COOLANT TEMPERATURE SENSOR	0.41 V @ 90° C, INCREASING WITH TEMPERATURE	
I P145-6	INTAKE AIR TEMPERATURE SENSOR	0.59 V @ 10° C, INCREASING WITH TEMPERATURE	
O P145-7	COMMON SENSOR REFERENCE VOLTAGE	5 V	5 V
I P145-10	UPSTREAM HO2S FEEDBACK - B BANK	0.1 - 0.8 V (SWING)	
I P145-11	UPSTREAM HO2S FEEDBACK - A BANK	0.1 - 0.8 V (SWING)	
SG P145-15	COMMON SENSOR SHIELD GROUND	GROUND	GROUND
SG P145-16	COMMON SENSOR REFERENCE GROUND	GROUND	GROUND
O P146-5	UPSTREAM HO2S HEATER GROUND - B BANK	GROUND	B+
O P146-6	UPSTREAM HO2S HEATER GROUND - A BANK	GROUND	B+
I P146-8	CAMSHAFT POSITION SENSOR	GROUND PULSE @ 1000 RPM = 8 Hz, 2000 RPM = 16 Hz	
SG P146-12	CAMSHAFT POSITION SENSOR	GROUND	GROUND
I P146-13	CRANKSHAFT POSITION SENSOR	GROUND PULSE @ 1000 RPM = 15 Hz, 2000 RPM = 30 Hz	
I P146-14	ENGINE SPEED SENSOR	GROUND PULSE @ 1000 RPM = 175 Hz, 2000 RPM = 350 Hz	
SG P146-18	CRANKSHAFT POSITION SENSOR	GROUND	GROUND
SG P146-19	ENGINE SPEED SENSOR	GROUND	GROUND
O P147-1	IDLE AIR CONTROL VALVE CLOSE - B BANK	4.8 V @ IDLE	
O P147-2	IDLE AIR CONTROL VALVE OPEN - B BANK	9.8 V @ IDLE	
O P147-3	IDLE AIR CONTROL VALVE CLOSE - A BANK	4.8 V @ IDLE	
O P147-4	IDLE AIR CONTROL VALVE OPEN - A BANK	9.8 V @ IDLE	
O P147-12	FUEL PUMP RELAY 2	GROUND	B+
O P147-29	FUEL PUMP RELAY 1	GROUND	B+

The following symbols are used to represent values for Control Module Pin Out data:

I	Input	B+	Battery voltage
O	Output	V	Voltage (DC)
SG	Signal Ground	Hz	Frequency
D	Serial and encoded communications	KHz	Frequency x 1000
		MS	Milliseconds
		MV	Millivolts

CAUTION: The information on this data page is furnished to aid the user in understanding circuit operation. THIS INFORMATION SHOULD BE USED FOR REFERENCE ONLY.

NOTE: The values listed are approximately those that can be expected at the control module connector pins with all circuit connections made and all components connected and fitted. "Active" means a load is applied or a switch is ON; "Inactive" means a load is not applied or a switch is OFF.

Fig. 04.6

COMPONENTS

Component	Connector / Type / Color	Location / Access
CAMSHAFT POSITION SENSOR (V12)	P13 (FLY LEAD) / 2-WAY ECONOSEAL III LC / BLACK	A BANK CAMSHAFT COVER
CATALYST SWITCHING MODULE	P155 / 8-WAY MULTILOCK 070 / WHITE	RH 'A' POST, ECM / 'A' POST TRIM
CATALYST THERMOCOUPLES	P156 (FLY LEAD) / 4-WAY ECONOSEAL III LC / BLACK	REAR OF ENGINE
CRANKSHAFT POSITION SENSOR	P12 (FLY LEAD) / 2-WAY ECONOSEAL III LC / BLACK	ENGINE TIMING COVER
ENGINE CONTROL MODULE (V12)	P144 / 28-WAY MULTILOCK 040 / SLATE P145 / 18-WAY MULTILOCK 040 / SLATE P146 / 22-WAY MULTILOCK 040 / SLATE P147 / 34-WAY MULTILOCK 040 / SLATE	RH 'A' POST / 'A' POST TRIM
ENGINE COOLANT TEMPERATURE SENSOR (V12)	P15 / 2-WAY ECONOSEAL J / SLATE	B BANK THERMOSTAT HOUSING
ENGINE SPEED SENSOR	P123 (FLY LEAD) / 2-WAY ECONOSEAL III LC / BLACK	ENGINE VEE, REAR
FUEL PUMP (1)	BT6 (FLY LEAD) / 4-WAY SUMITOMO 90 / WHITE	FUEL TANK / FUEL TANK TRIM
FUEL PUMP (2)	BT6 (FLY LEAD) / 4-WAY SUMITOMO 90 / WHITE	FUEL TANK / FUEL TANK TRIM
HEATED OXYGEN SENSOR (V12 A BANK)	P125 (FLY LEAD) / 4-WAY SUMITOMO 90 / SLATE	A BANK EXHAUST, DOWNSTREAM OF PRIMARY CATALYST
HEATED OXYGEN SENSOR (V12 B BANK)	P127 (FLY LEAD) / 4-WAY SUMITOMO 90 / SLATE	B BANK EXHAUST, DOWNSTREAM OF PRIMARY CATALYST
IDLE AIR CONTROL VALVE (V12 A BANK)	P129 / 3-WAY SUMITOMO 90 / SLATE	A BANK THROTTLE BODY
IDLE AIR CONTROL VALVE (V12 B BANK)	P130 / 3-WAY SUMITOMO 90 / SLATE	B BANK THROTTLE BODY
INTAKE AIR TEMPERATURE SENSOR (V12)	P16 / 2-WAY JUNIOR TIMER / BLACK	A BANK AIR INTAKE
MANIFOLD ABSOLUTE PRESSURE SENSOR (V12 A BANK)	P19 / 3-WAY SUMITOMO 90 / BLACK	A BANK INTAKE MANIFOLD, REAR
MANIFOLD ABSOLUTE PRESSURE SENSOR (V12 B BANK)	P150 / 3-WAY SUMITOMO 90 / BLACK	B BANK INTAKE MANIFOLD, REAR
THROTTLE POSITION SENSOR (V12)	P17 / 4-WAY ECONOSEAL J / BLACK	THROTTLE TURNABLE

RELAYS

Relay	Color / Stripe	Connector / Color	Location / Access
FUEL PUMP RELAY (1)	BLACK / VIOLET	BT26 / GREEN	TRUNK ELECTRICAL CARRIER
FUEL PUMP RELAY (2)	BLUE	FU2 / YELLOW	BATTERY COVER

HARNESSTO-HARNESSTO CONNECTORS

Connector	Type / Color	Location / Access
BT4	THROUGH-PANEL (48 MICRO / 6) / BLACK	ABOVE FUEL TANK / FUEL TANK TRIM
FU1	6-WAY MULTILOCK 070 / WHITE	FUEL TANK TRIM / BATTERY COVER
P11	13-WAY ECONOSEAL III LC / WHITE	REARWARD OF RH HEADLAMP
P161	13-WAY ECONOSEAL III LC / BLACK	REARWARD OF RH HEADLAMP
P173	2-WAY MULTILOCK 070 / YELLOW	RH 'A' POST / 'A' POST TRIM
RS3	THROUGH-PANEL (48 MICRO / 6) / BROWN	RH 'A' POST / 'A' POST PANEL

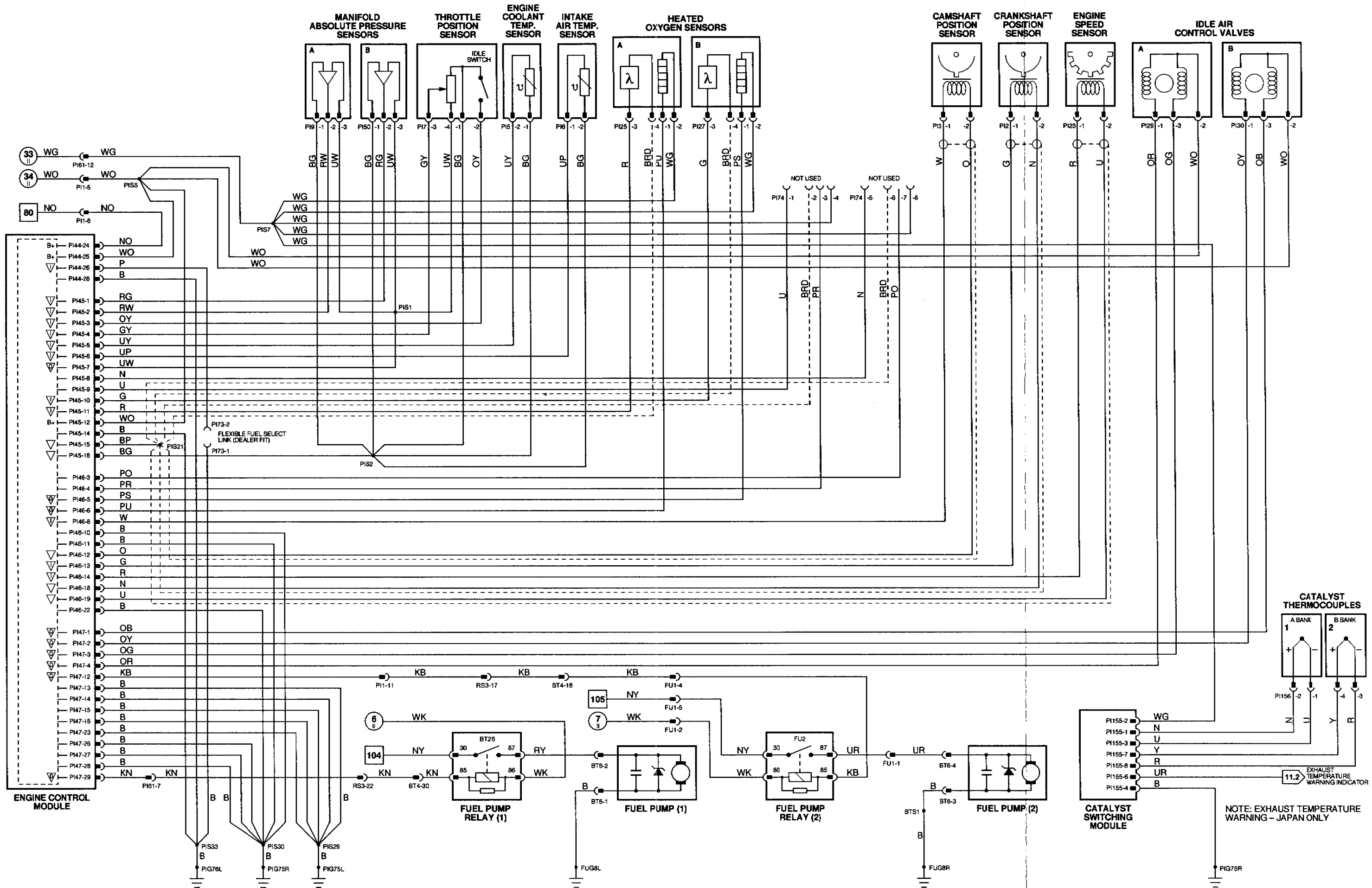
GROUNDS

Ground	Location / Type
FUG8L	FRONT TRUNK GROUND STUD
FUG8R	FRONT TRUNK GROUND STUD
PIG75L	RH 'A' POST GROUND STUD
PIG75R	RH 'A' POST GROUND STUD
PIG78L	RH BULKHEAD GROUND STUD
PIG78R	RH BULKHEAD GROUND STUD

CONTROL MODULE PIN OUT INFORMATION (FOLD OUT PAGE)



REFER TO THE FRONT OF THE BOOK FOR ILLUSTRATIONS DETAILING THE LOCATION AND IDENTIFICATION OF COMPONENTS, RELAYS, CONNECTORS, HARNESSES, GROUNDS, VEHICLE CONTROL MODULES AND CONTROL MODULE PINS.



CONTROL MODULE PIN OUT INFORMATION

ENGINE CONTROL MODULE (V12)

Pin	Description	Active	Inactive
O P144-1	FUEL USED	GROUND PULSE, 10 Hz @ IDLE	
O P144-2	CHECK ENGINE MIL	GROUND	B+
O P144-3	ENGINE TORQUE SIGNAL	11.5 V @ IDLE, DECREASING WITH TORQUE INCREASE	
O P144-4	THROTTLE POSITION	1.4 V @ IDLE, 9 V @ FULL THROTTLE	
O P144-5	LOAD INHIBIT SIGNAL	GROUND	B+
I P144-6	TORQUE REDUCTION	GROUND PULSE @ SHIFT	11.5 V @ IDLE
I P144-7	VEHICLE SPEED	GROUND	B+
O P144-10	ENGINE SPEED	5 V @ 1000 RPM = 45 Hz, 2000 RPM = 90 Hz	
I P144-12	ELECTRICAL LOAD: HEATED WINDSHIELD, HEATED BACKLIGHT, OR BLOWERS ON HIGH SPEED	GROUND	B+
I P144-13	AIR CONDITIONING REQUEST	B+	GROUND
D P144-14	FUELING INHIBIT SIGNAL	ENCODED COMMUNICATIONS	
I P144-18	PARK / NEUTRAL	GROUND	B+
I P144-21	FUEL LEVEL	B+	GROUND
D P144-22	SERIAL COMMUNICATION INPUT		
D P144-23	SERIAL COMMUNICATION OUTPUT		
I P144-26	FLEXIBLE FUEL SELECT LINK (DEALER FIT)	GROUND (FITTED)	B+
I P145-13	POWER STEERING PRESSURE SWITCH	GROUND	B+
I P146-7	CRANK SIGNAL	GROUND	B+
O P146-16	AIR CONDITIONING CLUTCH RELAY	GROUND	B+
O P146-17	SECONDARY AIR INJECTION RELAY	GROUND	B+
I P146-20	IGNITION FAILURE - B BANK	B+	1.7 V
I P146-21	IGNITION FAILURE - A BANK	B+	1.7 V
O P147-5	FUEL INJECTORS 3 & 5 - B BANK	GROUND PULSE, 3.5 MS @ IDLE	
O P147-6	FUEL INJECTORS 2 & 4 - A BANK	GROUND PULSE, 3.5 MS @ IDLE	
O P147-7	FUEL INJECTORS 1 & 4 - B BANK	GROUND PULSE, 3.5 MS @ IDLE	
O P147-8	FUEL INJECTORS 3 & 6 - A BANK	GROUND PULSE, 3.5 MS @ IDLE	
O P147-9	FUEL INJECTORS 2 & 6 - B BANK	GROUND PULSE, 3.5 MS @ IDLE	
O P147-10	FUEL INJECTORS 1 & 5 - A BANK	GROUND PULSE, 3.5 MS @ IDLE	
O P147-11	SECONDARY AIR VACUUM SOLENOID VALVE	B+	GROUND
O P147-17	IGNITION MODULE NEGATIVE - 3B	GROUND PULSE, 1000 RPM = 15 Hz	
O P147-18	IGNITION MODULE NEGATIVE - 2B	GROUND PULSE, 1000 RPM = 15 Hz	
O P147-19	IGNITION MODULE NEGATIVE - 1B	GROUND PULSE, 1000 RPM = 15 Hz	
O P147-20	IGNITION MODULE NEGATIVE - 3A	GROUND PULSE, 1000 RPM = 15 Hz	
O P147-21	IGNITION MODULE NEGATIVE - 2A	GROUND PULSE, 1000 RPM = 15 Hz	
O P147-22	IGNITION MODULE NEGATIVE - 1A	GROUND PULSE, 1000 RPM = 15 Hz	
O P147-33	EVAP VALVE - B BANK	B+	GROUND
O P147-34	EVAP VALVE - A BANK	B+	GROUND

The following symbols are used to represent values for Control Module Pin Out data:

I	Input	B+	Battery voltage
O	Output	V	Voltage (DC)
SG	Signal Ground	Hz	Frequency
D	Serial and encoded communications	KHz	Frequency x 1000
		MS	Milliseconds
		MV	Millivolts

CAUTION: The information on this data page is furnished to aid the user in understanding circuit operation. THIS INFORMATION SHOULD BE USED FOR REFERENCE ONLY.

NOTE: The values listed are approximately those that can be expected at the control module connector pins with all circuit connections made and all components connected and fitted. "Active" means a load is applied or a switch is ON; "Inactive" means a load is not applied or a switch is OFF.

Fig. 04.7

COMPONENTS

Component	Connector / Type / Color	Location / Access
DIODE (PI81) - AIRP SOLENOID SUPPRESSION ENGINE CONTROL MODULE (V12)	PI81 / DIODE / BLACK PI44 / 28-WAY MULTILOCK 040 / SLATE PI45 / 16-WAY MULTILOCK 040 / SLATE PI46 / 22-WAY MULTILOCK 040 / SLATE PI47 / 34-WAY MULTILOCK 040 / SLATE	EMS HARNESS / SECONDARY AIR INJECTION PUMP RH 'A' POST / 'A' POST TRIM
EVAPORATIVE EMISSION CONTROL VALVE (V12 A BANK) EVAPORATIVE EMISSION CONTROL VALVE (V12 B BANK)	PI18 / 2-WAY JUNIOR TIMER / BLACK PI19 / 2-WAY JUNIOR TIMER / BLACK	BELOW LH FRONT RELAYS BELOW LH FRONT RELAYS
FUEL INJECTOR (V12 A BANK 1) FUEL INJECTOR (V12 A BANK 2) FUEL INJECTOR (V12 A BANK 3) FUEL INJECTOR (V12 A BANK 4) FUEL INJECTOR (V12 A BANK 5) FUEL INJECTOR (V12 A BANK 6) FUEL INJECTOR (V12 B BANK 1) FUEL INJECTOR (V12 B BANK 2) FUEL INJECTOR (V12 B BANK 3) FUEL INJECTOR (V12 B BANK 4) FUEL INJECTOR (V12 B BANK 5) FUEL INJECTOR (V12 B BANK 6)	PI32 / 2-WAY JUNIOR TIMER / SLATE PI33 / 2-WAY JUNIOR TIMER / SLATE PI34 / 2-WAY JUNIOR TIMER / SLATE PI35 / 2-WAY JUNIOR TIMER / SLATE PI36 / 2-WAY JUNIOR TIMER / SLATE PI37 / 2-WAY JUNIOR TIMER / SLATE PI38 / 2-WAY JUNIOR TIMER / SLATE PI39 / 2-WAY JUNIOR TIMER / SLATE PI40 / 2-WAY JUNIOR TIMER / SLATE PI41 / 2-WAY JUNIOR TIMER / SLATE PI42 / 2-WAY JUNIOR TIMER / SLATE PI43 / 2-WAY JUNIOR TIMER / SLATE	FUEL RAIL, INTAKE MANIFOLD FUEL RAIL, INTAKE MANIFOLD FUEL RAIL, INTAKE MANIFOLD FUEL RAIL, INTAKE MANIFOLD FUEL RAIL, INTAKE MANIFOLD FUEL RAIL, INTAKE MANIFOLD FUEL RAIL, INTAKE MANIFOLD FUEL RAIL, INTAKE MANIFOLD FUEL RAIL, INTAKE MANIFOLD FUEL RAIL, INTAKE MANIFOLD FUEL RAIL, INTAKE MANIFOLD FUEL RAIL, INTAKE MANIFOLD
IGNITION COIL (V12 A BANK) IGNITION COIL (V12 B BANK) IGNITION MODULE (V12 A BANK) IGNITION MODULE (V12 B BANK) POWER STEERING PRESSURE SWITCH SECONDARY AIR INJECTION CLUTCH SECONDARY AIR INJECTION SWITCHING VALVE	PI12 / 4-WAY SUB-MINIATURE / BLACK PI13 / 4-WAY SUB-MINIATURE / BLACK PI10 / 8-WAY SUMITOMO 90 / SLATE PI11 / 8-WAY SUMITOMO 90 / SLATE PI88 / 2-WAY JUNIOR TIMER / BLACK PI21 (FLY LEAD) / 2-WAY ECONOSEAL III LC / BLACK PI22 / 2-WAY DENSO / BLUE	ENGINE VEE ENGINE VEE ENGINE BAY, RH INNER FENDER ENGINE BAY, RH INNER FENDER POWER STEERING PUMP SECONDARY AIR INJECTION PUMP A BANK INTAKE MANIFOLD / REAR

RELAYS

Relay	Color / Stripe	Connector / Color	Location / Access
FUEL INJECTOR RELAY (MAIN RELAY) (V12)	BLACK	PI20 / BLACK	RH ENGINE BAY RELAYS
IGNITION COIL RELAY (V12)	BLACK	PI53 / BLACK	RH ENGINE BAY RELAYS
SECONDARY AIR INJECTION RELAY (V12)	BLACK / WHITE	PI52 / BLACK	RH ENGINE BAY RELAYS

HARNESS-TO-HARNESS CONNECTORS

Connector	Type / Color	Location / Access
PI1	13-WAY ECONOSEAL III LC / WHITE	REARWARD OF RH HEADLAMP
PI59	13-WAY ECONOSEAL III LC / BLACK	FORWARD OF LH ENGINE BAY FUSE BOX
PI61	13-WAY ECONOSEAL III LC / BLACK	REARWARD OF RH HEADLAMP
PI63	20-WAY MULTILOCK 040 / BLACK	RH 'A' POST / 'A' POST TRIM
PI73	2-WAY MULTILOCK 070 / YELLOW	RH 'A' POST / 'A' POST TRIM

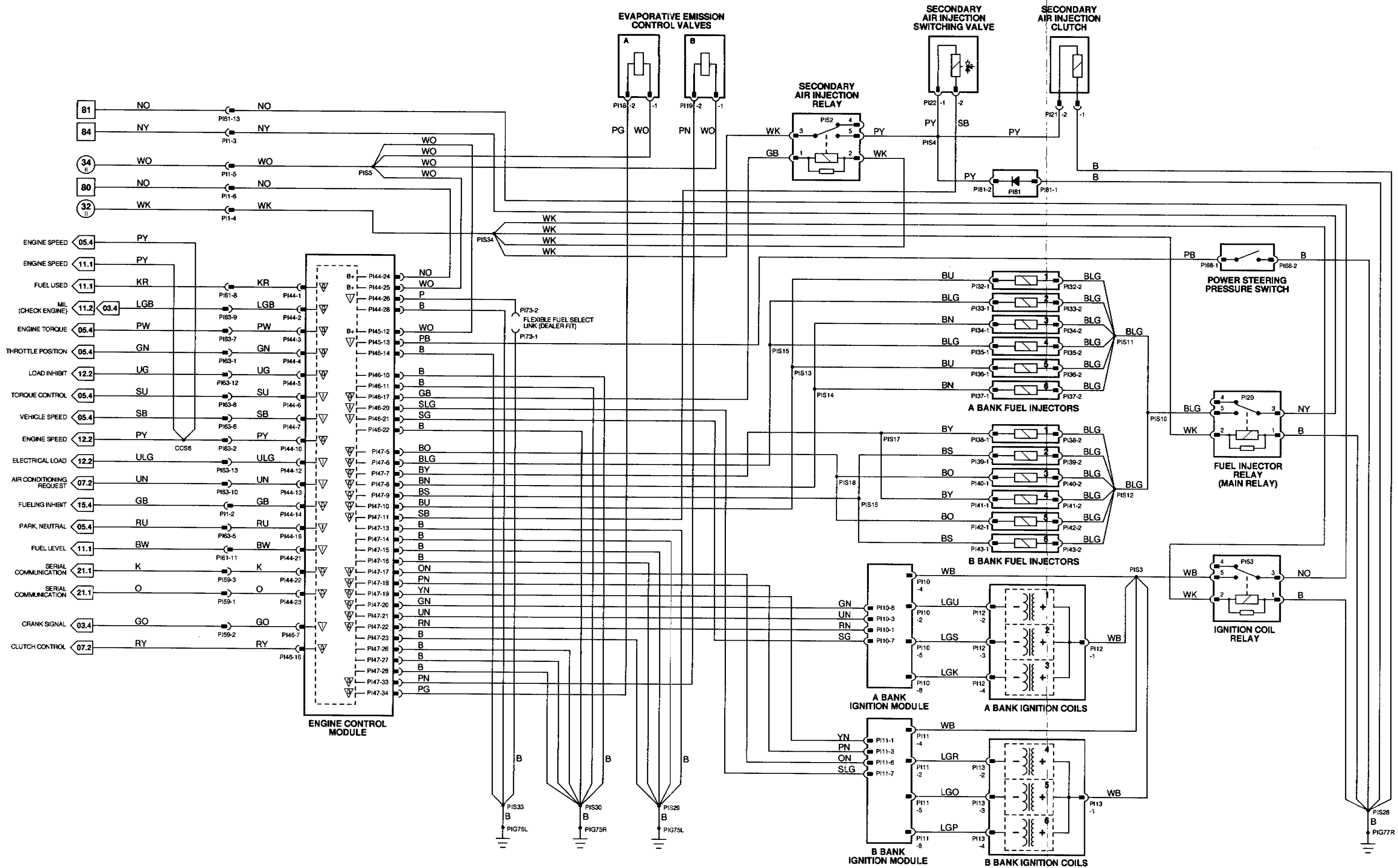
GROUNDS

Ground	Location / Type
PIG75L	RH 'A' POST GROUND STUD
PIG75R	RH 'A' POST GROUND STUD
PIG78L	RH BULKHEAD GROUND STUD
PIG77R	RIGHT FORWARD EMS GROUND STUD

CONTROL MODULE PIN OUT INFORMATION (FOLD OUT PAGE)



REFER TO THE FRONT OF THE BOOK FOR ILLUSTRATIONS DETAILING THE LOCATION AND IDENTIFICATION OF COMPONENTS, RELAYS, CONNECTORS, HARNESSES, GROUNDS, VEHICLE CONTROL MODULES AND CONTROL MODULE PINS.



CONTROL MODULE PIN OUT INFORMATION

DECODER MODULE

Pin	Description	Active	Inactive
O	CC13-1	GEAR POSITION 3	GROUND
O	CC13-2	GEAR POSITION 2	GROUND
O	CC13-3	GEAR POSITION 'R'	GROUND
O	CC13-4	GEAR POSITION 'D'	GROUND
I	CC13-11	GEAR POSITION 'Y'	GROUND - R, N, D, 3
I	CC13-12	GEAR POSITION 'Z'	GROUND - D, 3, 2
I	CC13-13	GEAR POSITION 'X'	GROUND - P, R, 3, 2
O	CC13-14	GEAR SELECTOR 'NEUTRAL' ILLUMINATION	GROUND - N
O	CC13-15	GEAR SELECTOR 'PARK' ILLUMINATION	GROUND - P
O	CC13-23	SPEED CONTROL INHIBIT	GROUND - D, 3, 2
O	CC13-24	PARK, NEUTRAL OUTPUT	GROUND - P, N

TRANSMISSION CONTROL MODULE (AJ16 NA)

Pin	Description	Active	Inactive
I	CC7-2	OUTPUT SHAFT SPEED SENSOR	1.51 V @ 10 MPH (16 KPH) = 280 Hz, 20 MPH (32 KPH) = 560 Hz
I	CC7-3	ENGINE SPEED SENSOR	5 V @ 1000 RPM = 45 Hz, 2000 RPM = 90 Hz
I	CC7-4	MODE SWITCH SELECTION	GROUND - NORMAL
O	CC7-5	SHIFT SOLENOID 1 (MV1)	GROUND - 2, 3
O	CC7-6	PRESSURE REGULATOR	9.5V @ IDLE, DECREASING WITH PRESSURE INCREASE
I	CC7-14	POSITION CODE 'Y'	GROUND - R, N, D, 3
D	CC7-15	SERIAL COMMUNICATION INPUT	GROUND
O	CC7-16	TRANSMISSION MIL	B+
O	CC7-19	PRESSURE REGULATOR / SHIFT SOLENOIDS SUPPLY	10.4 V = NO LOAD, DECREASING WITH ENGINE LOAD
I	CC7-21	ENGINE TORQUE	GROUND - P, N, D, 2, 1
O	CC7-24	SHIFT SOLENOID 2 (MV2)	GROUND PULSE
I	CC7-29	TRACTION ACTIVE	GROUND PULSE @ SHIFT (7.8 V)
O	CC7-32	TORQUE REDUCTION REQUEST	GROUND - D, 3, 2
I	CC7-33	POSITION CODE 'Z'	GROUND
SG	CC7-38	OUTPUT SHAFT SPEED SENSOR	GROUND
I	CC7-41	KICK DOWN SWITCH	GROUND
O	CC7-42	LOCK UP SOLENOID (MV3)	GROUND
SG	CC7-44	FLUID TEMPERATURE SENSOR	1.31 V
I	CC7-46	FLUID TEMPERATURE SENSOR	1.15 V @ 90° C
I	CC7-47	THROTTLE POSITION SENSOR FEEDBACK VOLTAGE	1.31 V @ IDLE, 4.9 V = FULL THROTTLE
O	CC7-49	SPORT MODE INDICATOR	GROUND
I	CC7-50	POSITION CODE 'X'	B+
D	CC7-51	SERIAL COMMUNICATION OUTPUT	2 V = D, N

The following symbols are used to represent values for Control Module Pin Out data:

I	Input	B+	Battery voltage
O	Output	V	Voltage (DC)
SG	Signal Ground	Hz	Frequency
D	Serial and encoded communications	KHz	Frequency x 1000
		MS	Milliseconds
		MV	Millivolts

CAUTION: The information on this data page is furnished to aid the user in understanding circuit operation. THIS INFORMATION SHOULD BE USED FOR REFERENCE ONLY.

NOTE: The values listed are approximately those that can be expected at the control module connector pins with all circuit connections made and all components connected and fitted. "Active" means a load is applied or a switch is ON; "Inactive" means a load is not applied or a switch is OFF.

Fig. 05.1

COMPONENTS

Component	Connector / Type / Color	Location / Access
DECODER MODULE	CC13 / 26-WAY MODU 4 / BLUE	CENTER CONSOLE
FLUID TEMPERATURE SENSOR	GB3 / 9-WAY HELLERMAN DEUTSCH / BLACK	TRANSMISSION / SUMP
GEAR SELECTOR INDICATOR MODULE (AJ16 4.0L)	CC14 / 12-WAY MULTILOCK 040 / BLACK	'J' GATE / CENTER CONSOLE
KICKDOWN SWITCH	CA74 (RHD) (FLY LEAD) / 3-WAY MULTILOCK 070 / SLATE CC54 (LHD) (FLY LEAD) / 3-WAY MULTILOCK 070 / SLATE CC11 / 8-WAY MULTILOCK 040 / BLACK	UNDER ACCELERATOR
MODE SWITCH	GB3 / 9-WAY HELLERMAN DEUTSCH / BLACK	CENTER CONSOLE
OUTPUT SHAFT SENSOR	GB3 / 9-WAY HELLERMAN DEUTSCH / BLACK	TRANSMISSION
PRESSURE REGULATOR	GB3 / 9-WAY HELLERMAN DEUTSCH / BLACK	TRANSMISSION / SUMP
RECTARY SWITCH	GB1 (FLY LEAD) / 9-WAY MULTILOCK 070 / WHITE GB2 (FLY LEAD) / 12-WAY MULTILOCK 040 / BLACK	'J' GATE / CENTER CONSOLE
TRANSMISSION CONTROL MODULE (AJ16 NA)	CC7 / 55-WAY BOSCH / BLACK	PASSENGER'S UNDERSCUTTLE
TRANSMISSION SOLENOID VALVES	GB3 / 9-WAY HELLERMAN DEUTSCH / BLACK	TRANSMISSION / SUMP

HARNESS-TO-HARNESS CONNECTORS

Connector	Type / Color	Location / Access
CC5	20-WAY MULTILOCK 040 / GREEN	CENTER CONSOLE / CENTER CONSOLE GLOVE BOX
FC7	THROUGH-PANEL (48 MICRO / 6) / BLACK	PASSENGER'S UNDERSCUTTLE
PI63	20-WAY MULTILOCK 040 / BLACK	RH 'A' POST / 'A' POST TRIM

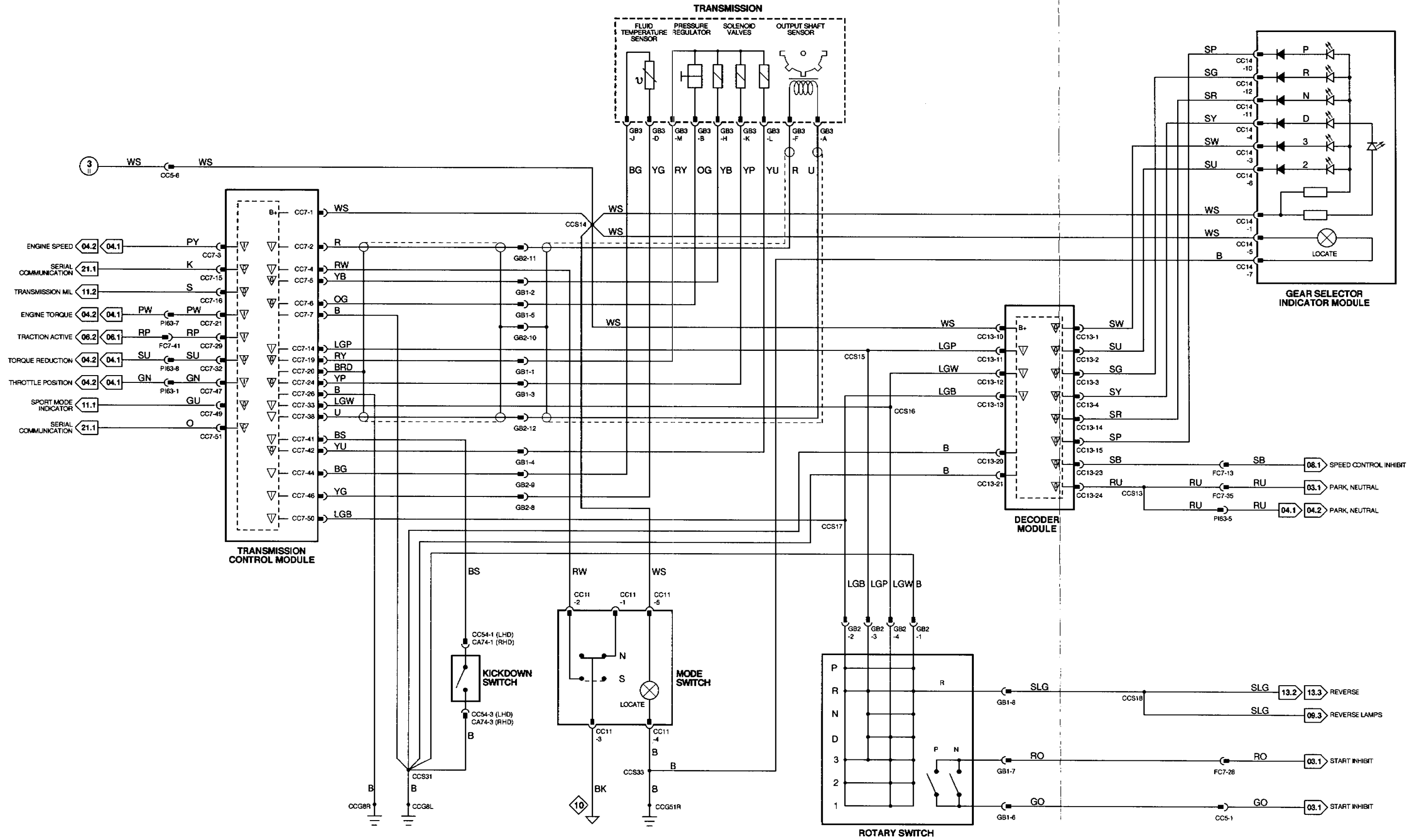
GROUNDS

Ground	Location / Type
CC68L	CENTER CONSOLE GROUND STUD
CC68R	CENTER CONSOLE GROUND STUD
CC651R	CENTER CONSOLE GROUND STUD

CONTROL MODULE PIN OUT INFORMATION (FOLD OUT PAGE)



REFER TO THE FRONT OF THE BOOK FOR ILLUSTRATIONS DETAILING THE LOCATION AND IDENTIFICATION OF COMPONENTS, RELAYS, CONNECTORS, HARNESES, GROUNDS, VEHICLE CONTROL MODULES AND CONTROL MODULE PINS.



CONTROL MODULE PIN OUT INFORMATION

TRANSMISSION CONTROL MODULE (AJ16 SC)

Pin	Description	Active	Inactive
I CC48-3	PRESSURE SWITCH MANIFOLD	B+	B+
I CC48-4	PRESSURE SWITCH MANIFOLD	B+	B+
I CC48-5	MODE SWITCH	GROUND - SPORT	B+ = NORMAL
I CC48-6	CALIBRATION SELECT LINK (DEALER FIT)	GROUND = (FITTED)	B+
O CC48-7	TORQUE REDUCTION	GROUND PULSE @ SHIFT	11.5 V @ IDLE
I CC48-11	THROTTLE POSITION	1.4 V @ IDLE	9 V @ FULL THROTTLE
I CC48-12	ENGINE TORQUE	11.5 V @ IDLE, DECREASING WITH TORQUE INCREASE	
SG CC48-14	TRANSMISSION TEMPERATURE SENSOR	GROUND	GROUND
D CC48-16	SERIAL COMMUNICATION INPUT		
I CC48-22	PRESSURE SWITCH MANIFOLD	GROUND	GROUND
I CC48-23	TRACTION ACTIVE	GROUND	B+
I CC48-24	KICK DOWN SWITCH	GROUND	B+
I CC48-25	BRAKE SWITCH	GROUND	B+
I CC48-26	TRANSMISSION TEMPERATURE SENSOR	1.93 V @ 90° C	
I CC48-30	ENGINE SPEED SIGNAL	5 V @ 1000 RPM = 45 Hz, 2000 RPM = 90 Hz	
SG CC48-36	OUTPUT SPEED SENSOR	GROUND	GROUND
SG CC48-37	INPUT SPEED SENSOR	GROUND	GROUND
O CC48-39	SHIFT SOLENOID 'A'	GROUND - 1, 4	B+ = 2, 3
O CC48-40	TRANSMISSION MIL	GROUND	B+
O CC48-41	SPORT MODE INDICATOR LAMP	GROUND	B+
O CC48-42	TORQUE CONVERTER CLUTCH SOLENOID	GROUND	B+
O CC48-43	SHIFT SOLENOID 'B'	GROUND - 3, 4	B+ = 1, 2
D CC48-45	SERIAL COMMUNICATION OUTPUT		
O CC48-49	VARIABLE FORCE MOTOR	1.3 V @ IDLE, DECREASING WITH PRESSURE INCREASE	
I CC48-50	INPUT SPEED SENSOR	GROUND @ 1000 RPM = 450 Hz, 2000 RPM = 900 Hz	
I CC48-51	OUTPUT SPEED SENSOR	GROUND @ 10 MPH (16 KPH) = 300 Hz, 20 MPH (32 KPH) = 600 Hz	
O CC48-52	VARIABLE FORCE MOTOR	7.7 V @ IDLE, DECREASING WITH PRESSURE INCREASE	

The following symbols are used to represent values for Control Module Pin Out data:

I	Input	B+	Battery voltage
O	Output	V	Voltage (DC)
SG	Signal Ground	Hz	Frequency
D	Serial and encoded communications	KHz	Frequency x 1000
		MS	Milliseconds
		MV	Millivolts

CAUTION: The information on this data page is furnished to aid the user in understanding circuit operation. THIS INFORMATION SHOULD BE USED FOR REFERENCE ONLY.

NOTE: The values listed are approximately those that can be expected at the control module connector pins with all circuit connections made and all components connected and fitted. "Active" means a load is applied or a switch is ON; "Inactive" means a load is not applied or a switch is OFF.

Fig. 05.2

COMPONENTS

Component	Connector / Type / Color	Location / Access
BRAKE SWITCH	CA72 / 4-WAY MULTILOCK 070 / WHITE	DRIVER'S UNDERSCUTTLE
GEAR SELECTOR INDICATOR MODULE (AJ16 3.2L, 4.0L SC; V12)	GB11 (FLY LEAD) / 12-WAY MULTILOCK 040 / BLACK	'J' GATE / CENTER CONSOLE
INPUT SPEED SENSOR	GB14 (FLY LEAD) / 3-WAY PACKARD / BLACK	TRANSMISSION, LH SIDE
KICKDOWN SWITCH	CA74 (RHD) (FLY LEAD) / 3-WAY MULTILOCK 070 / SLATE CC54 (LHD) (FLY LEAD) / 3-WAY MULTILOCK 070 / SLATE	UNDER ACCELERATOR
LINEAR GEAR POSITION SWITCHES	CC21 / 20-WAY MULTILOCK 040 / BLACK	'J' GATE / CENTER CONSOLE
MODE SWITCH	CC11 / 8-WAY MULTILOCK 040 / BLACK	CENTER CONSOLE
OUTPUT SPEED SENSOR	GB13 (FLY LEAD) / 3-WAY PACKARD / BLACK	TRANSMISSION, LH SIDE
PRESSURE SWITCH MANIFOLD	GB12 / 12-WAY HELLERMAN DEUTSCH / BLACK	TRANSMISSION / SUMP
SHIFT SOLENOID (A)	GB12 / 12-WAY HELLERMAN DEUTSCH / BLACK	TRANSMISSION / SUMP
SHIFT SOLENOID (B)	GB12 / 12-WAY HELLERMAN DEUTSCH / BLACK	TRANSMISSION / SUMP
TORQUE CONVERTER CLUTCH SOLENOID	GB12 / 12-WAY HELLERMAN DEUTSCH / BLACK	TRANSMISSION / SUMP
TRANSMISSION CONTROL MODULE (V12 & AJ16 SC)	CC48 / 56-WAY AMP 55 / BLACK	PASSENGER'S UNDERSCUTTLE
TRANSMISSION TEMPERATURE SENSOR	GB12 / 12-WAY HELLERMAN DEUTSCH / BLACK	TRANSMISSION / SUMP
VARIABLE FORCE MOTOR	GB12 / 12-WAY HELLERMAN DEUTSCH / BLACK	TRANSMISSION / SUMP

HARNESS-TO-HARNESS CONNECTORS

Connector	Type / Color	Location / Access
CC3	20-WAY MULTILOCK 040 / BLACK	CENTER CONSOLE / CENTER CONSOLE GLOVE BOX
CC4	14-WAY MULTILOCK 070 / WHITE	CENTER CONSOLE / CENTER CONSOLE GLOVE BOX
CC5	20-WAY MULTILOCK 040 / GREEN	CENTER CONSOLE / CENTER CONSOLE GLOVE BOX
CC38	2-WAY MULTILOCK 070 / YELLOW	PASSENGER'S UNDERSCUTTLE
FC7	THROUGH-PANEL (48 MICRO / 6) / BLACK	PASSENGER'S UNDERSCUTTLE
GB10	12-WAY MULTILOCK 040 / BLACK	CENTER CONSOLE 'J' GATE / LH SIDE
GB15	8-WAY MULTILOCK 070 / WHITE	CENTER CONSOLE 'J' GATE / LH SIDE
PI63	20-WAY MULTILOCK 040 / BLACK	RH 'A' POST / 'A' POST TRIM

GROUNDS

Ground	Location / Type
CAG30R	LH 'A' POST GROUND SCREW
CAG33R	RH HEELBOARD GROUND SCREW
CCG51R	CENTER CONSOLE GROUND STUD
CCG8L	CENTER CONSOLE GROUND STUD
CCG8R	CENTER CONSOLE GROUND STUD

CONTROL MODULE PIN OUT INFORMATION (FOLD OUT PAGE)



REFER TO THE FRONT OF THE BOOK FOR ILLUSTRATIONS DETAILING THE LOCATION AND IDENTIFICATION OF COMPONENTS, RELAYS, CONNECTORS, HARNESES, GROUNDS, VEHICLE CONTROL MODULES AND CONTROL MODULE PINS.

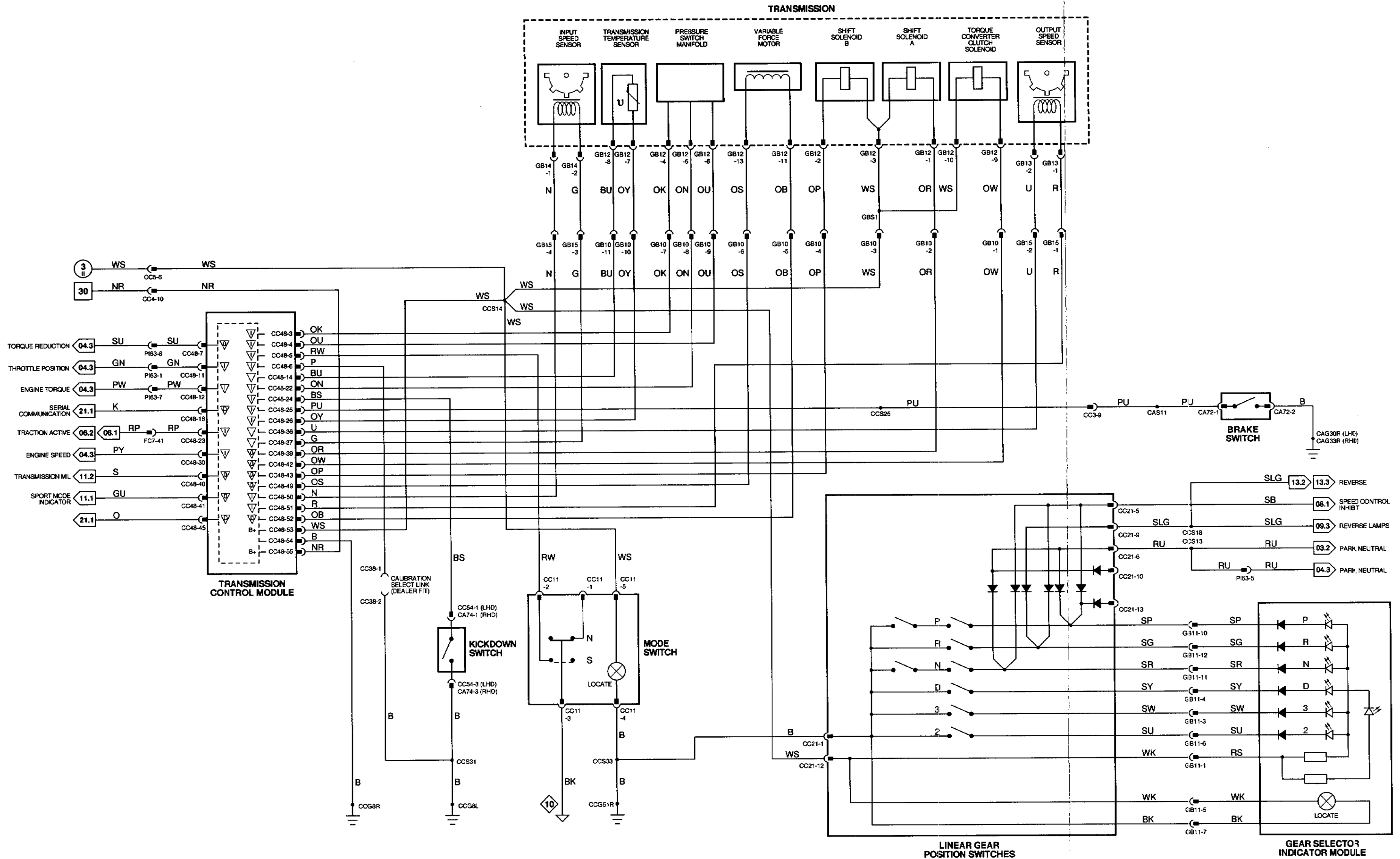


Fig. 05.3**COMPONENTS**

Component	Connector / Type / Color	Location / Access
LINEAR GEAR POSITION SWITCHES	CC21 / 20-WAY MULTILOCK 040 / BLACK	'J' GATE / CENTER CONSOLE
GEAR SELECTOR INDICATOR MODULE (AJ16 3.2L, 4.0L SC; V12)	GB11 (FLY LEAD) / 12-WAY MULTILOCK 040 / BLACK	'J' GATE / CENTER CONSOLE

HARNESSTO-HARNESSTO CONNECTORS

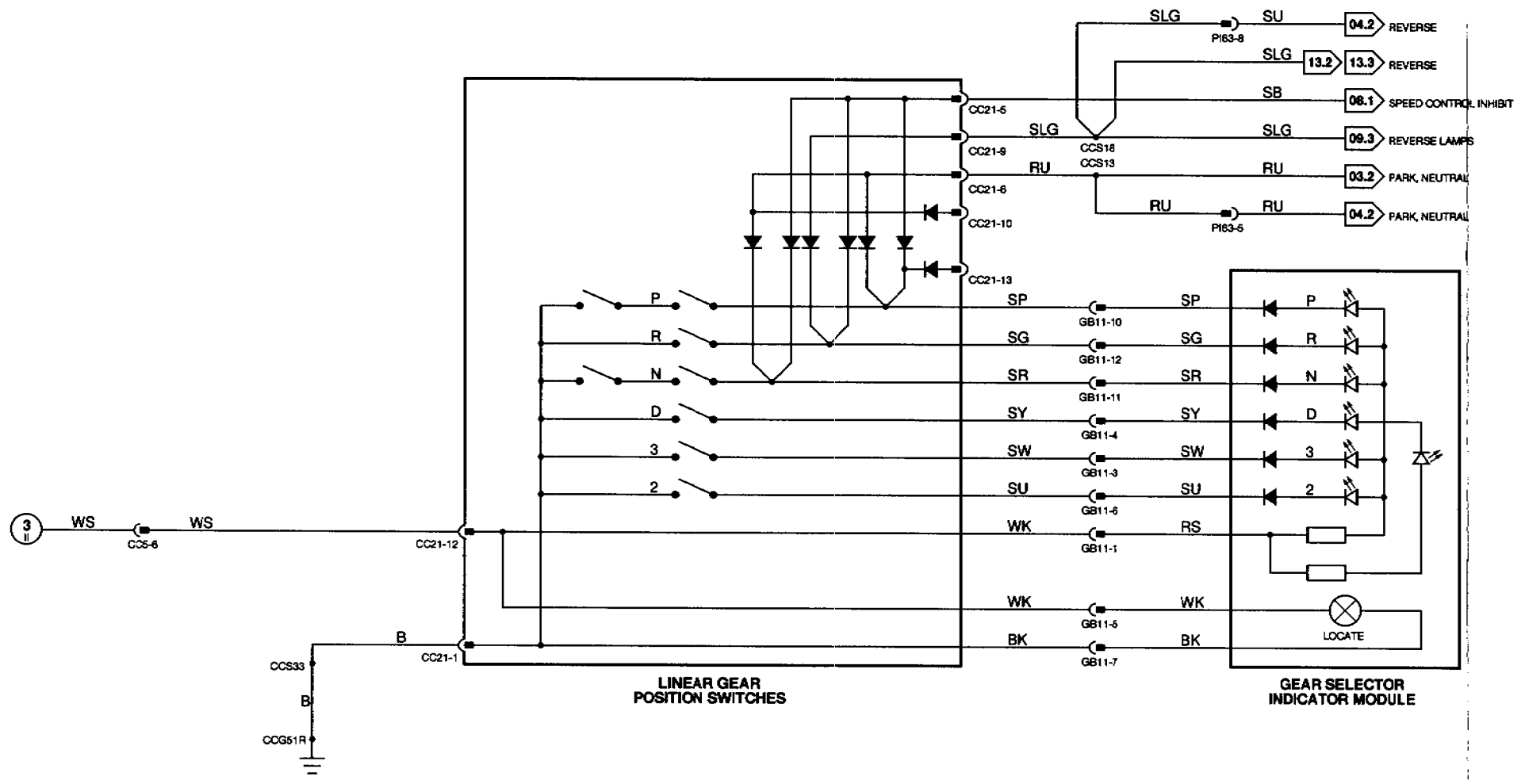
Connector	Type / Color	Location / Access
CC5	20-WAY MULTILOCK 040 / GREEN	CENTER CONSOLE / CENTER CONSOLE GLOVE BOX
PI83	20-WAY MULTILOCK 040 / BLACK	RH 'A' POST / 'A' POST TRIM

GROUNDS

Ground	Location / Type
CCG51R	CENTER CONSOLE GROUND STUD

REFER TO THE FRONT OF THE BOOK FOR ILLUSTRATIONS DETAILING THE LOCATION AND IDENTIFICATION OF COMPONENTS, RELAYS, CONNECTORS, HARNESSES, GROUNDS, VEHICLE CONTROL MODULES AND CONTROL MODULE PINS.

DATE OF ISSUE: NOVEMBER 1995



CONTROL MODULE PIN OUT INFORMATION

TRANSMISSION CONTROL MODULE (V12)

Pin	Description	Active	Inactive
I CC48-3	PRESSURE SWITCH MANIFOLD	B+	B+
I CC48-4	PRESSURE SWITCH MANIFOLD	B+	B+
I CC48-5	MODE SWITCH	GROUND - SPORT	B+ = NORMAL
I CC48-6	CALIBRATION SELECT LINK (DEALER FIT)	GROUND - (FITTED)	B+
O CC48-7	TORQUE REDUCTION	GROUND PULSE @ SHIFT	11.5 V @ IDLE
I CC48-11	THROTTLE POSITION	1.4 V @ IDLE	9 V @ FULL THROTTLE
I CC48-12	ENGINE TORQUE	11.5 V @ IDLE, DECREASING WITH TORQUE INCREASE	
SG CC48-14	TRANSMISSION TEMPERATURE SENSOR	GROUND	GROUND
D CC48-16	SERIAL COMMUNICATION INPUT		
I CC48-22	PRESSURE SWITCH MANIFOLD	GROUND	GROUND
I CC48-23	TRACTION ACTIVE	GROUND	B+
I CC48-24	KICK DOWN SWITCH	GROUND	B+
I CC48-25	BRAKE SWITCH	GROUND	B+
I CC48-26	TRANSMISSION TEMPERATURE SENSOR	1.93 V @ 90° C	
I CC48-30	ENGINE SPEED SIGNAL	5 V @ 1000 RPM = 45 Hz, 2000 RPM = 90 Hz	
O CC48-34	VEHICLE SPEED SIGNAL	GROUND	B+
SG CC48-36	OUTPUT SPEED SENSOR	GROUND	GROUND
SG CC48-37	INPUT SPEED SENSOR	GROUND	GROUND
O CC48-39	SHIFT SOLENOID 'A'	GROUND - 1, 4	B+ = 2, 3
O CC48-40	TRANSMISSION MIL	GROUND	B+
O CC48-41	SPORT MODE INDICATOR LAMP	GROUND	B+
O CC48-42	TORQUE CONVERTER CLUTCH SOLENOID	GROUND	B+
O CC48-43	SHIFT SOLENOID 'B'	GROUND - 3, 4	B+ = 1, 2
D CC48-45	SERIAL COMMUNICATION OUTPUT		
O CC48-49	VARIABLE FORCE MOTOR	1.3 V @ IDLE, DECREASING WITH PRESSURE INCREASE	
I CC48-50	INPUT SPEED SENSOR	GROUND @ 1000 RPM = 45 Hz, 2000 RPM = 90 Hz	
I CC48-51	OUTPUT SPEED SENSOR	GROUND @ 10 MPH (16 KPH) = 300 Hz, 20 MPH (32 KPH) = 600 Hz	
O CC48-52	VARIABLE FORCE MOTOR	7.7 V @ IDLE, DECREASING WITH PRESSURE INCREASE	

The following symbols are used to represent values for Control Module Pin Out data:

I	Input	B+	Battery voltage
O	Output	V	Voltage (DC)
SG	Signal Ground	Hz	Frequency
D	Serial and encoded communications	KHz	Frequency x 1000
		MS	Milliseconds
		MV	Millivolts

CAUTION: The information on this data page is furnished to aid the user in understanding circuit operation. THIS INFORMATION SHOULD BE USED FOR REFERENCE ONLY.

NOTE: The values listed are approximately those that can be expected at the control module connector pins with all circuit connections made and all components connected and fitted. "Active" means a load is applied or a switch is ON; "Inactive" means a load is not applied or a switch is OFF.

Fig. 05.4

COMPONENTS

Component	Connector / Type / Color	Location / Access
BRAKE SWITCH	CA72 / 4-WAY MULTILOCK 070 / WHITE	DRIVER'S UNDERSCUTTLE
GEAR SELECTOR INDICATOR MODULE (AJ16 3.2L, 4.0L SC; V12)	GB11 (FLY LEAD) / 12-WAY MULTILOCK 040 / BLACK	'J' GATE / CENTER CONSOLE
INPUT SPEED SENSOR	GB14 (FLY LEAD) / 3-WAY PACKARD / BLACK	TRANSMISSION, LH SIDE
KICKDOWN SWITCH	CA74 (RHD) (FLY LEAD) / 3-WAY MULTILOCK 070 / SLATE CC54 (LHD) (FLY LEAD) / 3-WAY MULTILOCK 070 / SLATE	UNDER ACCELERATOR
LINEAR GEAR POSITION SWITCHES	CC21 / 20-WAY MULTILOCK 040 / BLACK	'J' GATE / CENTER CONSOLE
MODE SWITCH	CC11 / 8-WAY MULTILOCK 040 / BLACK	CENTER CONSOLE
OUTPUT SPEED SENSOR	GB13 (FLY LEAD) / 3-WAY PACKARD / BLACK	TRANSMISSION, LH SIDE
PRESSURE SWITCH MANIFOLD	GB12 / 12-WAY HELLERMAN DEUTSCH / BLACK	TRANSMISSION / SUMP
SHIFT SOLENOID (A)	GB12 / 12-WAY HELLERMAN DEUTSCH / BLACK	TRANSMISSION / SUMP
SHIFT SOLENOID (B)	GB12 / 12-WAY HELLERMAN DEUTSCH / BLACK	TRANSMISSION / SUMP
TORQUE CONVERTER CLUTCH SOLENOID	GB12 / 12-WAY HELLERMAN DEUTSCH / BLACK	TRANSMISSION / SUMP
TRANSMISSION CONTROL MODULE (V12 & AJ16 SC)	CC48 / 56-WAY AMP 55 / BLACK	PASSENGER'S UNDERSCUTTLE
TRANSMISSION TEMPERATURE SENSOR	GB12 / 12-WAY HELLERMAN DEUTSCH / BLACK	TRANSMISSION / SUMP
VARIABLE FORCE MOTOR	GB12 / 12-WAY HELLERMAN DEUTSCH / BLACK	TRANSMISSION / SUMP

HARNESS-TO-HARNESS CONNECTORS

Connector	Type / Color	Location / Access
CC3	20-WAY MULTILOCK 040 / BLACK	CENTER CONSOLE / CENTER CONSOLE GLOVE BOX
CC4	14-WAY MULTILOCK 070 / WHITE	CENTER CONSOLE / CENTER CONSOLE GLOVE BOX
CC5	20-WAY MULTILOCK 040 / GREEN	CENTER CONSOLE / CENTER CONSOLE GLOVE BOX
CC38	2-WAY MULTILOCK 070 / YELLOW	PASSENGER'S UNDERSCUTTLE
FC7	THROUGH-PANEL (48 MICRO / 6) / BLACK	PASSENGER'S UNDERSCUTTLE
GB10	12-WAY MULTILOCK 040 / BLACK	CENTER CONSOLE 'J' GATE / LH SIDE
GB15	8-WAY MULTILOCK 070 / WHITE	CENTER CONSOLE 'J' GATE / LH SIDE
PH3	20-WAY MULTILOCK 040 / BLACK	RH 'A' POST / 'A' POST TRIM

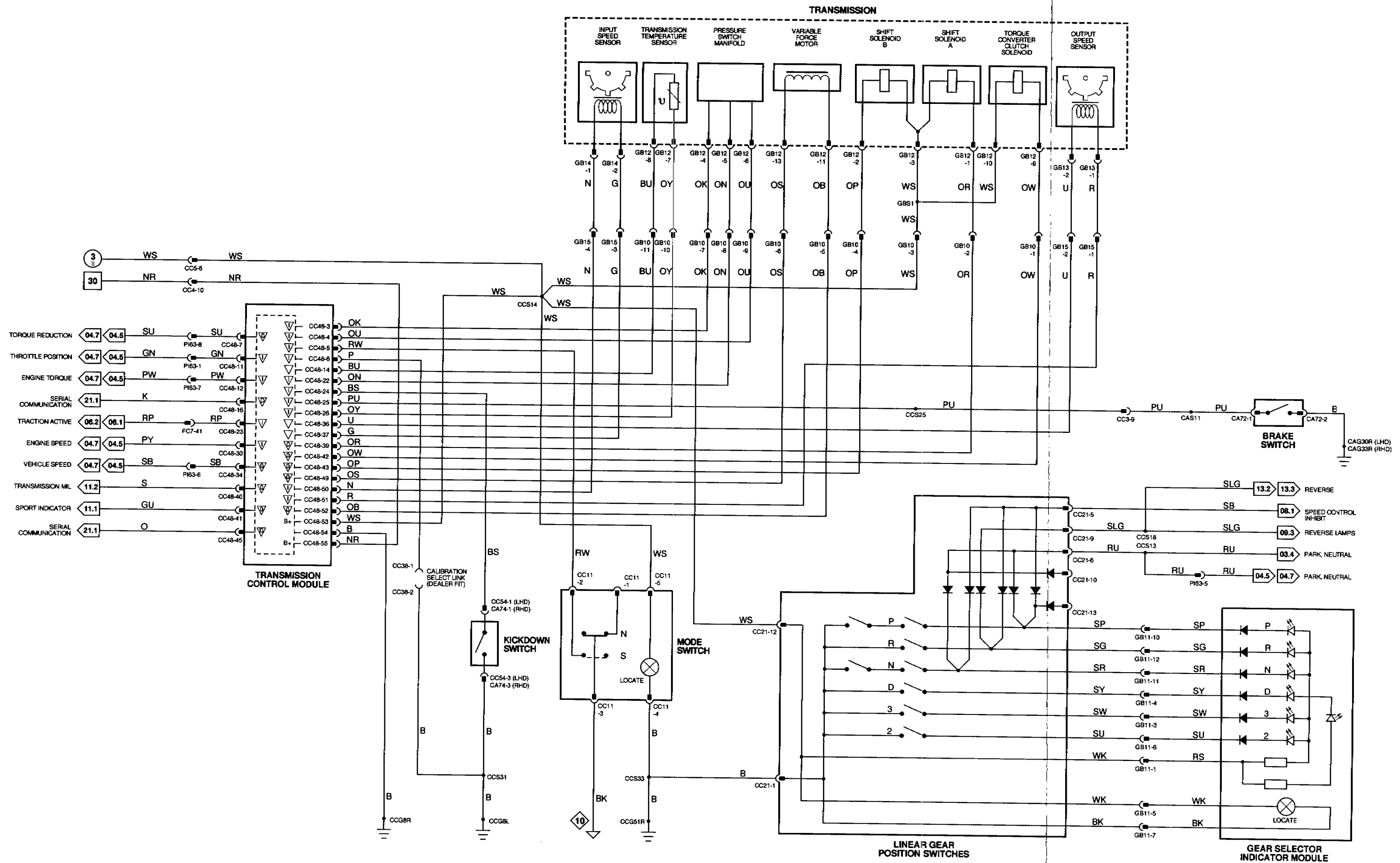
GROUNDS

Ground	Location / Type
CAG30R	LH 'A' POST GROUND SCREW
CAG33R	RH HEELBOARD GROUND SCREW
CCG51R	CENTER CONSOLE GROUND STUD
CCG8L	CENTER CONSOLE GROUND STUD
CCG8R	CENTER CONSOLE GROUND STUD

CONTROL MODULE PIN OUT INFORMATION (FOLD OUT PAGE)



REFER TO THE FRONT OF THE BOOK FOR ILLUSTRATIONS DETAILING THE LOCATION AND IDENTIFICATION OF COMPONENTS, RELAYS, CONNECTORS, HARNESES, GROUNDS, VEHICLE CONTROL MODULES AND CONTROL MODULE PINS.



CONTROL MODULE PIN OUT INFORMATION

BODY PROCESSOR MODULE

Pin	Description	Active	Inactive
O FC1-25	KEY LOCK SOLENOID RELAY	GROUND	B+
O FC1-28	GEARSHIFT INTERLOCK RELAY	GROUND	B+
I FC2-16	NOT IN PARK MICRO SWITCH	GROUND	B+
I FC2-31	IGNITION SWITCHED GROUND	GROUND	B+
I FC2-35	BRAKE SWITCH	GROUND	B+

Fig. 05.5

COMPONENTS

Component	Connector / Type / Color	Location / Access
BODY PROCESSOR MODULE	FC1 / 48-WAY PCB SIGNAL / YELLOW FC2 / 48-WAY PCB SIGNAL / BLACK FC3 / 6-WAY PCB SIGNAL / BLACK	PASSENGER'S UNDERSCUTTLE
BRAKE SWITCH	CA72 / 4-WAY MULTILOCK 070 / WHITE	DRIVER'S UNDERSCUTTLE
GEARSHIFT INTERLOCK SOLENOID	CC12 / MULTILOCK 070 / WHITE	'J' GATE / CENTER CONSOLE
KEYLOCK SOLENOID (COLUMN SWITCHGEAR)	SC6 / 2-WAY MULTILOCK 040 / BLUE	STEERING COLUMN / COVER
NOT IN-PARK MICROSWITCH	CC42 (FLY LEAD) / 2-WAY MULTILOCK 040 / BLACK	'J' GATE / CENTER CONSOLE

RELAYS

Relay	Color / Stripe	Connector / Color	Location / Access
GEARSHIFT INTERLOCK RELAY	BLUE	CC23 / BLUE	CENTER CONSOLE
KEYLOCK SOLENOID RELAY	BLACK / BLUE	CC23 / BLUE	CENTER CONSOLE

HARNESSTO-HARNESSTO CONNECTORS

Connector	Type / Color	Location / Access
CC3	20-WAY MULTILOCK 040 / BLACK	CENTER CONSOLE / CENTER CONSOLE GLOVE BOX
FC7	THROUGH-PANEL (48 MICRO / 6) / BLACK	PASSENGER'S UNDERSCUTTLE
FC16	20-WAY MULTILOCK 040 / BLACK	PASSENGER'S UNDERSCUTTLE
FC8	12-WAY MULTILOCK 040 / BLACK	DRIVER'S UNDERSCUTTLE

GROUNDS

Ground	Location / Type
CAG30R	LH 'A' POST GROUND SCREW
CAG33R	RH HEELBOARD GROUND SCREW
CCG51L	CENTER CONSOLE GROUND STUD
CCG51R	CENTER CONSOLE GROUND STUD
FCG15L	LH CONSOLE GROUND STUD
FCG26R	LH CONSOLE GROUND STUD

CONTROL MODULE PIN OUT INFORMATION (FOLD OUT PAGE)



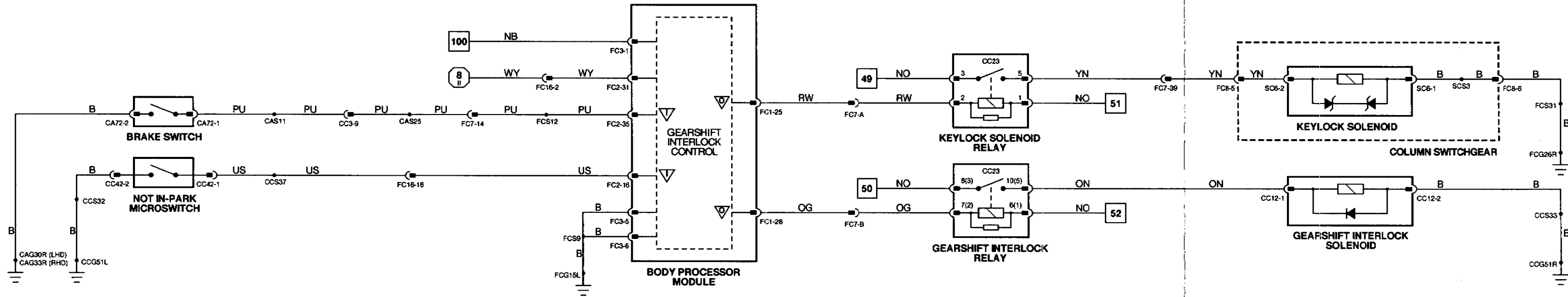
The following symbols are used to represent values for Control Module Pin Out data:

I Input	B+ Battery voltage
O Output	V Voltage (DC)
SG Signal Ground	Hz Frequency
D Serial and encoded communications	KHz Frequency x 1000
	MS Milliseconds
	MV Millivolts

CAUTION: The information on this data page is furnished to aid the user in understanding circuit operation. THIS INFORMATION SHOULD BE USED FOR REFERENCE ONLY.

NOTE: The values listed are approximately those that can be expected at the control module connector pins with all circuit connections made and all components connected and fitted. "Active" means a load is applied or a switch is ON; "Inactive" means a load is not applied or a switch is OFF.

REFER TO THE FRONT OF THE BOOK FOR ILLUSTRATIONS DETAILING THE LOCATION AND IDENTIFICATION OF COMPONENTS, RELAYS, CONNECTORS, HARNESSES, GROUNDS, VEHICLE CONTROL MODULES AND CONTROL MODULE PINS.



1-6 Fig. 01.1

7-56 Fig. 01.2

67-109 Fig. 01.3

⊖ ⊕ Fig. 01.4

⊖ ⊕ Fig. 02.1

◇ Fig. 02.2

▽ Input

▽ Output

▽ Serial and Encoded Communications

▽ Signal Ground (SG)

VARIANT: All Automatic Transmission Vehicles
VIN RANGE: 746613 →
DATE OF ISSUE: NOVEMBER 1995

CONTROL MODULE PIN OUT INFORMATION

ABS / TRACTION CONTROL CONTROL MODULE (LHD)

Pin	Description	Active	Inactive
O RS27-3	TRACTION CONTROL ACTIVE SIGNAL TO TCM	GROUND	B+
O RS27-4	SPEED CONTROL INHIBIT REQUEST	GROUND	B+
I RS27-5	LH FRONT WHEEL SPEED SENSOR	2.5 V @ 10 MPH (16 KPH) = 100 Hz; 20 MPH (32 KPH) = 200 Hz	2.5 V
SG RS27-6	LH FRONT WHEEL SPEED SENSOR GROUND	2.5 V (AT REST)	2.5 V
I RS27-7	RH FRONT WHEEL SPEED SENSOR	2.5 V @ 10 MPH (16 KPH) = 100 Hz; 20 MPH (32 KPH) = 200 Hz	2.5 V
SG RS27-8	RH FRONT WHEEL SPEED SENSOR GROUND	2.5 V (AT REST)	2.5 V
I RS27-9	LH REAR WHEEL SPEED SENSOR	2.5 V @ 10 MPH (16 KPH) = 100 Hz; 20 MPH (32 KPH) = 200 Hz	2.5 V
SG RS27-10	LH REAR WHEEL SPEED SENSOR GROUND	2.6 V (AT REST)	2.5 V
I RS27-11	RH REAR WHEEL SPEED SENSOR	2.5 V @ 10 MPH (16 KPH) = 100 Hz; 20 MPH (32 KPH) = 200 Hz	2.5 V
SG RS27-12	RH REAR WHEEL SPEED SENSOR GROUND	2.5 V (AT REST)	2.5 V
O RS27-16	TRACTION CONTROL ACTUATOR MOTOR	GROUND	7 V
O RS27-17	TRACTION CONTROL ACTUATOR MOTOR	GROUND	7 V
I RS27-18	TRACTION CONTROL INHIBIT SWITCH	GROUND	B+
I RS27-20	BRAKE SWITCH INPUT	GROUND	B+
O RS27-21	ABS FAILURE LAMP	GROUND	2.3 V
O RS27-23	TRACTION INDICATOR LAMP	B+	FAILURE = GROUND TRACTION OFF = 4 Hz GROUND PULSE
O RS27-24	VEHICLE SPEED SIGNAL	B+ @ 10 MPH (16 KPH) = 200 Hz; 20 MPH (32 KPH) = 400 Hz	5 V
O RS27-25	ACTUATOR POTENTIOMETER REFERENCE VOLTAGE	5 V	0.47 V (AT REST)
I RS27-26	ACTUATOR POTENTIOMETER FEEDBACK	0 - 5 V (FLUCTUATING)	GROUND
SG RS27-27	ACTUATOR POTENTIOMETER REFERENCE GROUND	GROUND	GROUND
D RS27-28	SERIAL COMMUNICATION (BI-DIRECTIONAL)		

The following symbols are used to represent values for Control Module Pin Out data:

I	Input	B+	Battery voltage
O	Output	V	Voltage (DC)
SG	Signal Ground	Hz	Frequency
D	Serial and encoded communications	KHz	Frequency x 1000
		MS	Milliseconds
		MV	Millivolts

CAUTION: The information on this data page is furnished to aid the user in understanding circuit operation. THIS INFORMATION SHOULD BE USED FOR REFERENCE ONLY.

NOTE: The values listed are approximately those that can be expected at the control module connector pins with all circuit connections made and all components connected and fitted. "Active" means a load is applied or a switch is ON; "Inactive" means a load is not applied or a switch is OFF.

Fig. 06.1

COMPONENTS

Component	Connector / Type / Color	Location / Access
ABS / TRACTION CONTROL CONTROL MODULE (LHD)	RS27 / 28-WAY FORD GTE / SLATE	ENGINE BAY / RH REAR
BRAKE SWITCH	CA72 / 4-WAY MULTILOCK 070 / WHITE	DRIVER'S UNDERSCUTTLE
FASCIA SWITCH PACK	FC18 / 18-WAY MULTILOCK 040 / BLACK	STEERING COLUMN / DRIVER'S UNDERSCUTTLE
TRACTION CONTROL ACTUATOR (LHD)	RS39 (FLY LEAD) / 2-WAY FORD / BLACK RS50 / 3-WAY JUNIOR TIMER / BLACK	ENGINE BAY, LH REAR
WHEEL SPEED SENSOR - LH FRONT	LS34 (FLY LEAD) / 2-WAY ECONOSEAL III LC / BLACK	LH FRONT WHEEL
WHEEL SPEED SENSOR - LH REAR	CA48 (FLY LEAD) / 2-WAY ECONOSEAL III LC / BLACK	LH REAR WHEEL
WHEEL SPEED SENSOR - RH FRONT	RS28 (FLY LEAD) / 2-WAY ECONOSEAL III LC / BLACK	RH FRONT WHEEL
WHEEL SPEED SENSOR - RH REAR	CA47 (FLY LEAD) / 2-WAY ECONOSEAL III LC / BLACK	RH REAR WHEEL

HARNESSTO-HARNESSTO CONNECTORS

Connector	Type / Color	Location / Access
FC5	THROUGH-PANEL (48 MICRO / 8) / BLACK	LH FASCIA END PANEL / OUTER AIR VENT
FC6	THROUGH-PANEL (48 MICRO / 8) / BLACK	RH FASCIA END PANEL / OUTER AIR VENT
FC57	12-WAY MULTILOCK 040 / BLACK	PASSENGER'S UNDERSCUTTLE
LS3	THROUGH-PANEL (48 MICRO / 8) / BLACK	LH 'A' POST / 'A' POST PANEL
RS3	THROUGH-PANEL (48 MICRO / 8) / BROWN	RH 'A' POST / 'A' POST PANEL

GROUNDS

Ground	Location / Type
CAG30R	LH 'A' POST GROUND SCREW
FCG26L	LH CONSOLE GROUND STUD
RSG41L	RIGHT FORWARD GROUND STUD
RSG41R	RIGHT FORWARD GROUND STUD
RSG42L	RH BULKHEAD GROUND STUD

CONTROL MODULE PIN OUT INFORMATION (FOLD OUT PAGE)



REFER TO THE FRONT OF THE BOOK FOR ILLUSTRATIONS DETAILING THE LOCATION AND IDENTIFICATION OF COMPONENTS, RELAYS, CONNECTORS, HARNESSES, GROUNDS, VEHICLE CONTROL MODULES AND CONTROL MODULE PINS.

DATE OF ISSUE: NOVEMBER 1995

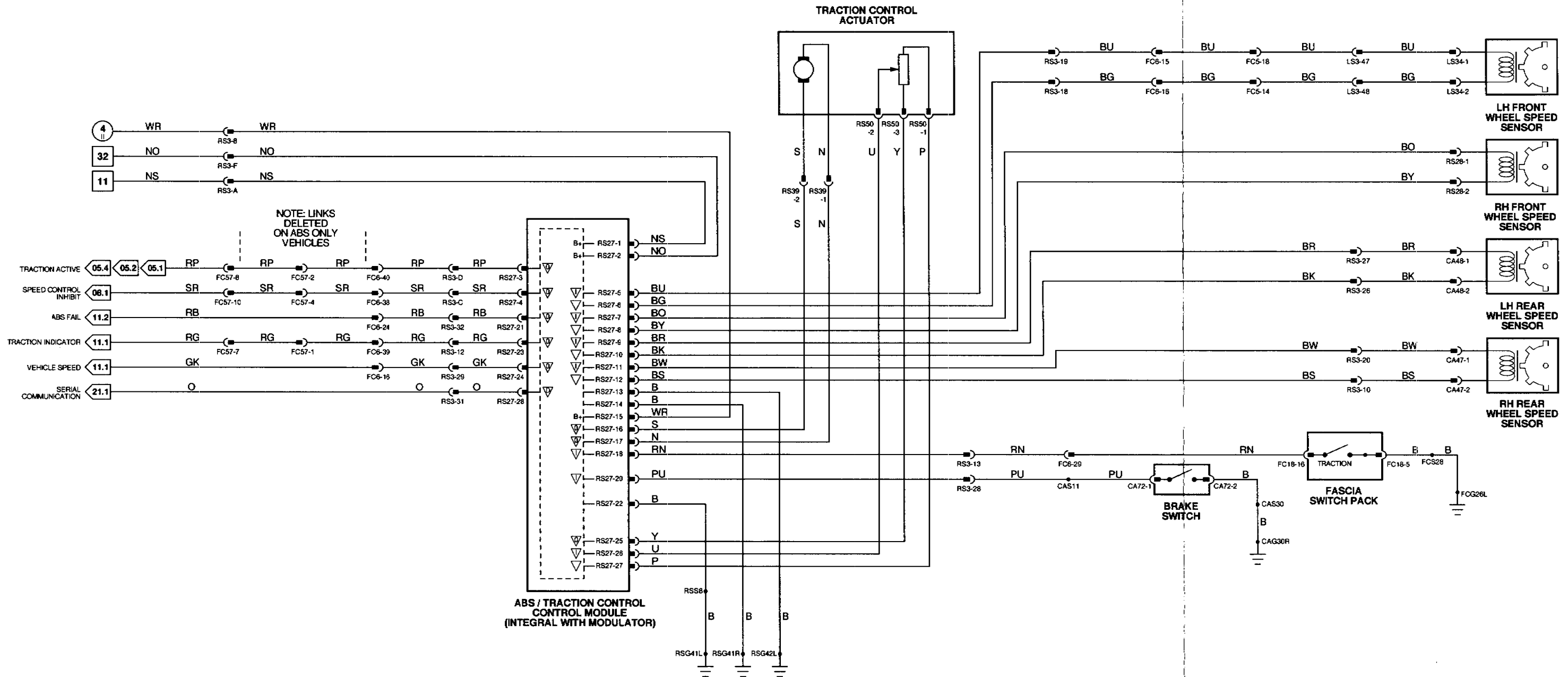


Fig. 06.2

CONTROL MODULE PIN OUT INFORMATION

ABS / TRACTION CONTROL CONTROL MODULE (RHD)

Pin	Description	Active	Inactive
O LS27-3	TRACTION CONTROL ACTIVE SIGNAL TO TCM	GROUND	B+
O LS27-4	SPEED CONTROL INHIBIT REQUEST	GROUND	B+
I LS27-5	LH FRONT WHEEL SPEED SENSOR	2.5 V @ 10 MPH (16 KPH) = 100 Hz; 20 MPH (32 KPH) = 200 Hz 2.5 V (AT REST)	2.5 V
SG LS27-6	LH FRONT WHEEL SPEED SENSOR GROUND	2.5 V @ 10 MPH (16 KPH) = 100 Hz; 20 MPH (32 KPH) = 200 Hz 2.5 V (AT REST)	2.5 V
I LS27-7	RH FRONT WHEEL SPEED SENSOR	2.5 V @ 10 MPH (16 KPH) = 100 Hz; 20 MPH (32 KPH) = 200 Hz 2.5 V (AT REST)	2.5 V
SG LS27-8	RH FRONT WHEEL SPEED SENSOR GROUND	2.5 V @ 10 MPH (16 KPH) = 100 Hz; 20 MPH (32 KPH) = 200 Hz 2.5 V (AT REST)	2.5 V
I LS27-9	LH REAR WHEEL SPEED SENSOR	2.5 V @ 10 MPH (16 KPH) = 100 Hz; 20 MPH (32 KPH) = 200 Hz 2.5 V (AT REST)	2.5 V
SG LS27-10	LH REAR WHEEL SPEED SENSOR GROUND	2.5 V @ 10 MPH (16 KPH) = 100 Hz; 20 MPH (32 KPH) = 200 Hz 2.5 V (AT REST)	2.5 V
I LS27-11	RH REAR WHEEL SPEED SENSOR	2.5 V @ 10 MPH (16 KPH) = 100 Hz; 20 MPH (32 KPH) = 200 Hz 2.5 V (AT REST)	2.5 V
SG LS27-12	RH REAR WHEEL SPEED SENSOR GROUND	2.5 V (AT REST)	2.5 V
O LS27-16	TRACTION CONTROL ACTUATOR MOTOR	GROUND	7 V
O LS27-17	TRACTION CONTROL ACTUATOR MOTOR	GROUND	7 V
I LS27-18	TRACTION CONTROL INHIBIT SWITCH	GROUND	B+
I LS27-20	BRAKE SWITCH INPUT	GROUND	B+
O LS27-21	ABS FAILURE LAMP	GROUND	2.3V
O LS27-23	TRACTION INDICATOR LAMP	B+	FAILURE = GROUND TRACTION OFF = 4 Hz GROUND PULSE
O LS27-24	VEHICLE SPEED SIGNAL	B+ @ 10 MPH (16 KPH) = 200 Hz; 20 MPH (32 KPH) = 400 Hz	5 V
O LS27-25	ACTUATOR POTENTIOMETER REFERENCE VOLTAGE	5 V	0.47 V (AT REST)
I LS27-26	ACTUATOR POTENTIOMETER FEEDBACK	0 - 5 V (FLUCTUATING)	GROUND
SG LS27-27	ACTUATOR POTENTIOMETER REFERENCE GROUND	GROUND	
D LS27-28	SERIAL COMMUNICATION (BI-DIRECTIONAL)		

COMPONENTS

Component	Connector / Type / Color	Location / Access
ABS / TRACTION CONTROL CONTROL MODULE (RHD)	LS27 / 28-WAY FORD GTE / SLATE	ENGINE BAY / LH REAR
BRAKE SWITCH	CA72 / 4-WAY MULTILOCK 070 / WHITE	DRIVER'S UNDERSCUTTLE
FASCIA SWITCH PACK	FC18 / 16-WAY MULTILOCK 040 / BLACK	STEERING COLUMN / DRIVER'S UNDERSCUTTLE
TRACTION CONTROL ACTUATOR (RHD)	LS39 (FLY LEAD) / 2-WAY FORD / BLACK LS50 / 3-WAY JUNIOR TIMER / BLACK	ENGINE BAY, RH REAR
WHEEL SPEED SENSOR - LH FRONT	LS34 (FLY LEAD) / 2-WAY ECONOSEAL III LC / BLACK	LH FRONT WHEEL
WHEEL SPEED SENSOR - LH REAR	CA48 (FLY LEAD) / 2-WAY ECONOSEAL III LC / BLACK	LH REAR WHEEL
WHEEL SPEED SENSOR - RH FRONT	RS28 (FLY LEAD) / 2-WAY ECONOSEAL III LC / BLACK	RH FRONT WHEEL
WHEEL SPEED SENSOR - RH REAR	CA47 (FLY LEAD) / 2-WAY ECONOSEAL III LC / BLACK	RH REAR WHEEL

HARNESSTO-HARNESSTO CONNECTORS

Connector	Type / Color	Location / Access
FC5	THROUGH-PANEL (48 MICRO / 6) / BLACK	LH FASCIA END PANEL / OUTER AIR VENT
FC6	THROUGH-PANEL (48 MICRO / 6) / BLACK	RH FASCIA END PANEL / OUTER AIR VENT
FC57	12-WAY MULTILOCK 040 / BLACK	PASSENGER'S UNDERSCUTTLE
LS3	THROUGH-PANEL (48 MICRO / 6) / BLACK	LH 'A' POST / 'A' POST PANEL
RS3	THROUGH-PANEL (48 MICRO / 6) / BROWN	RH 'A' POST / 'A' POST PANEL

GROUNDS

Ground	Location / Type
CAG33R	RH HEELBOARD GROUND SCREW
FCG26L	LH CONSOLE GROUND STUD
LSG10R	LEFT FORWARD GROUND STUD
LSG19R	LH BULKHEAD GROUND STUD
LSG51L	LH BULKHEAD GROUND STUD

CONTROL MODULE PIN OUT INFORMATION (FOLD OUT PAGE)



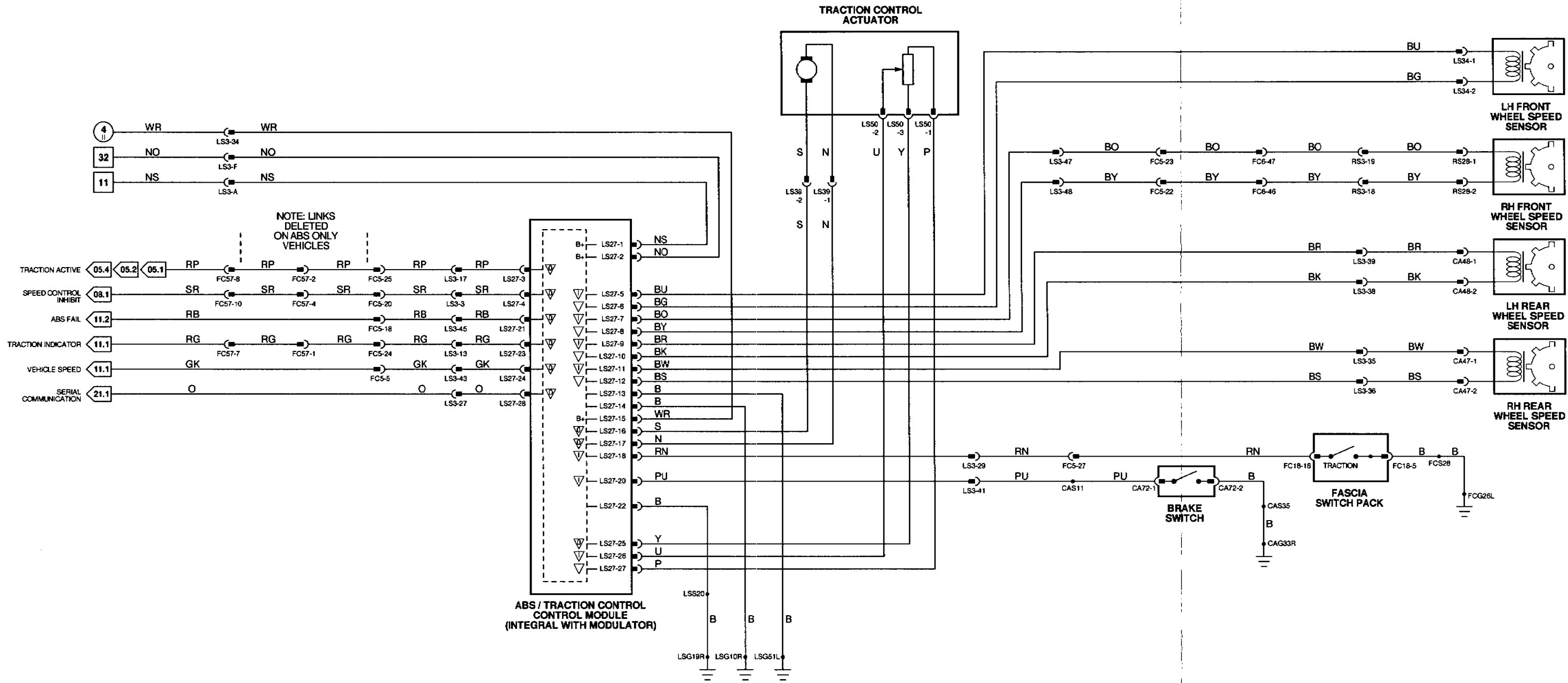
The following symbols are used to represent values for Control Module Pin Out data:

I	Input	B+	Battery voltage
O	Output	V	Voltage (DC)
SG	Signal Ground	Hz	Frequency
D	Serial and encoded communications	KHz	Frequency x 1000
		MS	Milliseconds
		MV	Millivolts

CAUTION: The information on this data page is furnished to aid the user in understanding circuit operation. THIS INFORMATION SHOULD BE USED FOR REFERENCE ONLY.

NOTE: The values listed are approximately those that can be expected at the control module connector pins with all circuit connections made and all components connected and fitted. "Active" means a load is applied or a switch is ON; "Inactive" means a load is not applied or a switch is OFF.

REFER TO THE FRONT OF THE BOOK FOR ILLUSTRATIONS DETAILING THE LOCATION AND IDENTIFICATION OF COMPONENTS, RELAYS, CONNECTORS, HARNESSES, GROUNDS, VEHICLE CONTROL MODULES AND CONTROL MODULE PINS.



CONTROL MODULE PIN OUT INFORMATION

AIR CONDITIONING CONTROL MODULE

Pin	Description	Active	Inactive
I CC28-1	COMPRESSOR CLUTCH ON SIGNAL	B+	GROUND
O CC31-9	COMPRESSOR CLUTCH REQUEST	GROUND	B+
I CC31-17	REFRIGERANT TRIPLE PRESSURE SWITCH - 4.0L REFRIGERANT DUAL PRESSURE SWITCH - V12	GROUND	B+

ENGINE CONTROL MODULE (AJ16)

Pin	Description	Active	Inactive
O P1104-21	AIR CONDITIONING CLUTCH RELAY	GROUND	B+
I P1105-36	AIR CONDITIONING REQUEST	GROUND	B+

Fig. 07.1

COMPONENTS

Component	Connector / Type / Color	Location / Access
AIR CONDITIONING COMPRESSOR CLUTCH	P1138 / 3-WAY JUNIOR TIMER / BLACK	A/C COMPRESSOR
AIR CONDITIONING CONTROL MODULE	CC28 / 26-WAY MULTILOCK 47 / SLATE CC29 / 16-WAY MULTILOCK 47 / SLATE CC30 / 12-WAY MULTILOCK 47 / SLATE CC31 / 22-WAY MULTILOCK 47 / SLATE	A/C UNIT, RH SIDE / RH UNDERSCUTTLE
ENGINE CONTROL MODULE (AJ16)	P1104 / 36-WAY ECONOSEAL III / BLACK P1105 / 36-WAY ECONOSEAL III / RED	RH 'A' POST / 'A' POST TRIM
FAN CONTROL RELAY MODULE	LS18 / 8-WAY TRW / BLACK	BELOW LH HEADLAMPS
RADIATOR COOLING FAN (LH)	CF1 / 2-WAY REINSHAGEN / BLACK	ENGINE BAY, FRONT
RADIATOR COOLING FAN (RH)	CF2 / 2-WAY REINSHAGEN / BLACK	ENGINE BAY, FRONT
RADIATOR THERMOSTATIC SWITCH	LS12 / 3-WAY JUNIOR TIMER / BLACK	RADIATOR, LOWER LH SIDE
REFRIGERANT SINGLE PRESSURE SWITCH	P1102 (FLY LEAD) / 2-WAY ECONOSEAL III LC / WHITE	ENGINE BAY, RH REAR
REFRIGERANT TRIPLE PRESSURE SWITCH	P1103 (FLY LEAD) / 4-WAY ECONOSEAL III LC / BLACK	ENGINE BAY, RH REAR
SUPERCHARGER INTERCOOLER COOLANT PUMP	P1143 (FLY LEAD) / 2-WAY ECONOSEAL III LC / BLACK	ENGINE BAY, LH FRONT

RELAYS

Relay	Color / Stripe	Connector / Color	Location / Access
AIR CONDITIONING CLUTCH RELAY	BLACK / WHITE	P1145 / BLACK	RH ENGINE BAY RELAYS

HARNESS-TO-HARNESS CONNECTORS

Connector	Type / Color	Location / Access
LS11	4-WAY ECONOSEAL III HC / BLACK	SPOILER, LH SIDE / SPOILER
P11	13-WAY ECONOSEAL III LC / WHITE	REARWARD OF RH HEADLAMP
P159	13-WAY ECONOSEAL III LC / BLACK	FORWARD OF LH ENGINE BAY FUSE BOX
P161	13-WAY ECONOSEAL III LC / BLACK	REARWARD OF RH HEADLAMP
P163	20-WAY MULTILOCK 040 / BLACK	RH 'A' POST / 'A' POST TRIM
RS3	THROUGH-PANEL (48 MICRO / 8) / BROWN	RH 'A' POST / 'A' POST PANEL

GROUNDS

Ground	Location / Type
LSG10L	LEFT FORWARD GROUND STUD
LSG10R	LEFT FORWARD GROUND STUD
LSG51R	LH BULKHEAD GROUND STUD
LSG52R	LEFT FORWARD GROUND STUD
PIG153R	RH BULKHEAD GROUND STUD
PIG154L	LEFT FORWARD GROUND STUD
PIG154R	LEFT FORWARD GROUND STUD

CONTROL MODULE PIN OUT INFORMATION (FOLD OUT PAGE)



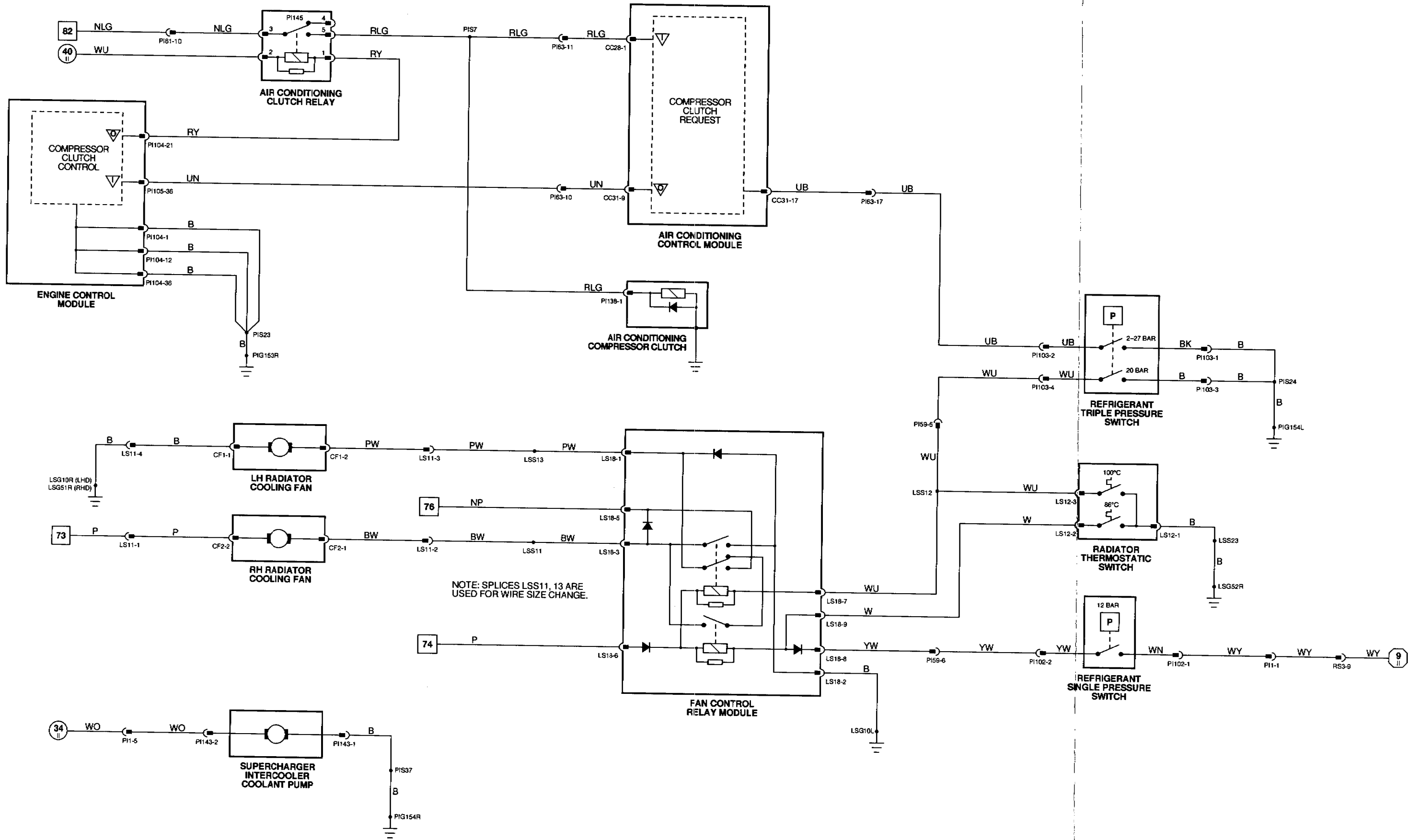
The following symbols are used to represent values for Control Module Pin Out data:

I Input	B+ Battery voltage
O Output	V Voltage (DC)
SG Signal Ground	Hz Frequency
D Serial and encoded communications	KHz Frequency x 1000
	MS Milliseconds
	MV Millivolts

CAUTION: The information on this data page is furnished to aid the user in understanding circuit operation. THIS INFORMATION SHOULD BE USED FOR REFERENCE ONLY.

NOTE: The values listed are approximately those that can be expected at the control module connector pins with all circuit connections made and all components connected and fitted. "Active" means a load is applied or a switch is ON; "Inactive" means a load is not applied or a switch is OFF.

REFER TO THE FRONT OF THE BOOK FOR ILLUSTRATIONS DETAILING THE LOCATION AND IDENTIFICATION OF COMPONENTS, RELAYS, CONNECTORS, HARNESSSES, GROUNDS, VEHICLE CONTROL MODULES AND CONTROL MODULE PINS.



CONTROL MODULE PIN OUT INFORMATION

AIR CONDITIONING CONTROL MODULE

Pin	Description	Active	Inactive
I CC28-1	COMPRESSOR CLUTCH ON SIGNAL	B+	GROUND
O CC31-9	COMPRESSOR CLUTCH REQUEST	GROUND	B+
I CC31-17	REFRIGERANT TRIPLE PRESSURE SWITCH - 4.0L REFRIGERANT DUAL PRESSURE SWITCH - V12	GROUND	B+

ENGINE CONTROL MODULE (V12)

Pin	Description	Active	Inactive
I P144-13	AIR CONDITIONING REQUEST	B+	GROUND
O P146-16	AIR CONDITIONING CLUTCH RELAY	GROUND	B+

COMPONENTS

Component	Connector / Type / Color	Location / Access
AIR CONDITIONING COMPRESSOR CLUTCH AIR CONDITIONING CONTROL MODULE	P118 / 3-WAY JUNIOR TIMER / BLACK CC28 / 26-WAY MULTILOCK 47 / SLATE CC28 / 18-WAY MULTILOCK 47 / SLATE CC30 / 12-WAY MULTILOCK 47 / SLATE CC31 / 22-WAY MULTILOCK 47 / SLATE	A/C COMPRESSOR A/C UNIT, RH SIDE / RH UNDERSCUTTLE
ENGINE CONTROL MODULE (V12)	P144 / 28-WAY MULTILOCK 040 / SLATE P145 / 18-WAY MULTILOCK 040 / SLATE P146 / 22-WAY MULTILOCK 040 / SLATE P147 / 34-WAY MULTILOCK 040 / SLATE	RH 'A' POST / 'A' POST TRIM
FAN CONTROL RELAY MODULE RADIATOR COOLING FAN (LH) RADIATOR COOLING FAN (RH) RADIATOR THERMOSTATIC SWITCH REFRIGERANT DUAL PRESSURE SWITCH	LS18 / 8-WAY TRW / BLACK CF1 / 2-WAY REINSHAGEN / BLACK CF2 / 2-WAY REINSHAGEN / BLACK LS12 / 3-WAY JUNIOR TIMER / BLACK P154 (FLY LEAD) / 2-WAY ECONOSEAL III LC / BLACK	BELOW LH HEADLAMPS ENGINE BAY, FRONT ENGINE BAY, FRONT RADIATOR, LOWER LH SIDE ENGINE BAY, RH REAR

RELAYS

Relay	Color / Stripe	Connector / Color	Location / Access
AIR CONDITIONING CLUTCH RELAY	BLACK / WHITE	P117 / BLACK	RH ENGINE BAY RELAYS

HARNESSTO-HARNESSTO CONNECTORS

Connector	Type / Color	Location / Access
LS11	4-WAY ECONOSEAL III HC / BLACK	SPOILER, LH SIDE / SPOILER
P161	13-WAY ECONOSEAL III LC / BLACK	REARWARD OF RH HEADLAMP
P163	20-WAY MULTILOCK 040 / BLACK	RH 'A' POST / 'A' POST TRIM

GROUNDS

Ground	Location / Type
LSG10L	LEFT FORWARD GROUND STUD
LSG10R	LEFT FORWARD GROUND STUD
LSG51R	LH BULKHEAD GROUND STUD
LSG52R	LEFT FORWARD GROUND STUD
PIG75R	RH 'A' POSTGROUND STUD
PIG77R	RIGHT FORWARD EMS GROUND STUD

CONTROL MODULE PIN OUT INFORMATION (FOLD OUT PAGE)



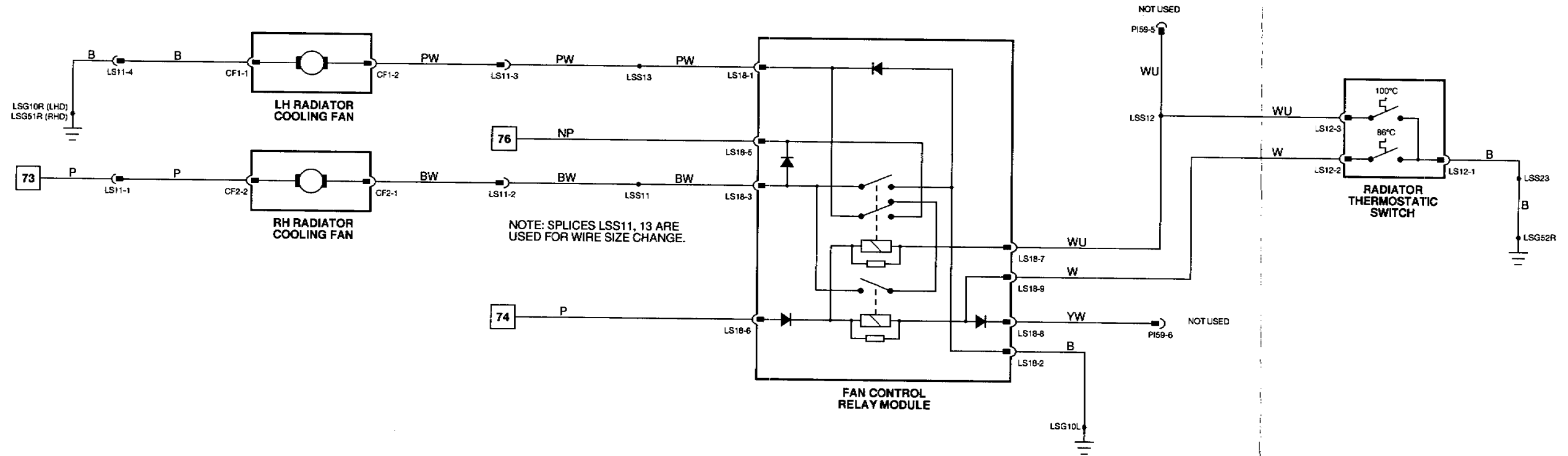
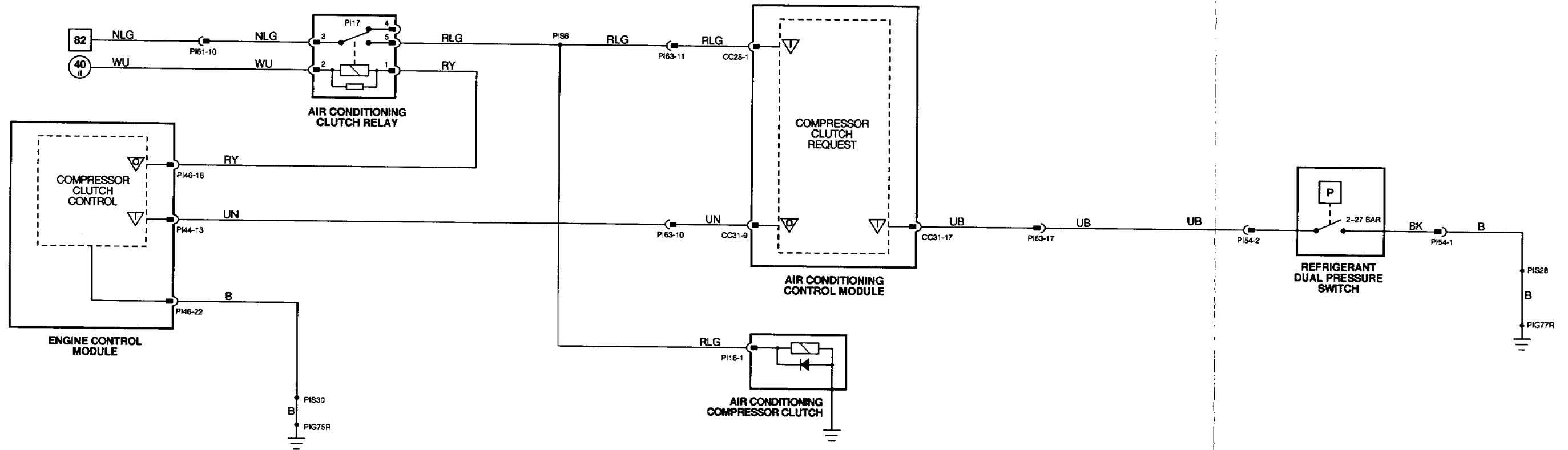
The following symbols are used to represent values for Control Module Pin Out data:

I Input	B+ Battery voltage
O Output	V Voltage (DC)
SG Signal Ground	Hz Frequency
D Serial and encoded communications	KHz Frequency x 1000
	MS Milliseconds
	MV Millivolts

CAUTION: The information on this data page is furnished to aid the user in understanding circuit operation. THIS INFORMATION SHOULD BE USED FOR REFERENCE ONLY.

NOTE: The values listed are approximately those that can be expected at the control module connector pins with all circuit connections made and all components connected and fitted. "Active" means a load is applied or a switch is ON; "Inactive" means a load is not applied or a switch is OFF.

REFER TO THE FRONT OF THE BOOK FOR ILLUSTRATIONS DETAILING THE LOCATION AND IDENTIFICATION OF COMPONENTS, RELAYS, CONNECTORS, HARNESSES, GROUNDS, VEHICLE CONTROL MODULES AND CONTROL MODULE PINS.



CONTROL MODULE PIN OUT INFORMATION

SPEED CONTROL CONTROL MODULE

Pin	Description	Active	Inactive
O FC17-3	DUMP VALVE, VACUUM PUMP & CONTROL VALVE POWER FEED	B+	B+
I FC17-6	VEHICLE SPEED INPUT	GROUND @ 10 MPH (16 KPH) = 20 Hz, 20 MPH (32 KPH) = 40 Hz	B+
I FC17-8	ANTI-LOCK / TRACTION ACTIVE INHIBIT	GROUND	B+
O FC17-10	CONTROL VALVE GROUND	GROUND	GROUND
I FC17-12	SPEED CONTROL BRAKE / CLUTCH SWITCH	B+	GROUND
O FC17-14	DUMP VALVE GROUND	GROUND	B+
I FC17-15	BRAKE LIGHT SWITCH	GROUND	B+
I FC17-17	SET / ACCELERATE / RESUME SWITCH	SET / ACCELERATE = 2.7 V, RESUME / COAST = 5.5 V	B+
I FC17-18	PARK / NEUTRAL SPEED CONTROL INHIBIT	GROUND = D, 3, 2	B+ = P, R, N
O FC17-20	VACUUM PUMP GROUND	GROUND	B+

Fig. 08.1

COMPONENTS

Component	Connector / Type / Color	Location / Access
BRAKE SWITCH	CA72 / 4-WAY MULTILOCK 070 / WHITE	DRIVER'S UNDERSCUTTLE
CLUTCH SWITCH (MANUAL TRANSMISSION)	CA73 / 2-WAY MULTILOCK 070 / YELLOW	ABOVE CLUTCH PEDAL
CLUTCH SWITCH LINK (AUTOMATIC TRANSMISSION)	CA73 / 2-WAY MULTILOCK 070 / YELLOW	DRIVER'S UNDERSCUTTLE
DUMP VALVE	LS22 / 2-WAY ECONOSEAL III LC / BLACK	BELOW LH FRONT RELAYS
SPEED CONTROL CONTROL MODULE	FC17 / 20-WAY PCB / BLACK	DRIVER'S UNDERSCUTTLE
SPEED CONTROL BRAKE SWITCH	CA72 / 4-WAY MULTILOCK 070 / WHITE	DRIVER'S UNDERSCUTTLE
SPEED CONTROL SWITCHES	FC18 / 16-WAY MULTILOCK 040 / BLACK	FASCIA SWITCH PACK
VACUUM PUMP AND CONTROL VALVE	LS23 / 3-WAY SPEED CONTROL / BLACK	ENGINE BAY, LH FRONT

HARNESS-TO-HARNESS CONNECTORS

Connector	Type / Color	Location / Access
CC3	20-WAY MULTILOCK 040 / BLACK	CENTER CONSOLE / CENTER CONSOLE GLOVE BOX
FC5	THROUGH-PANEL (48 MICRO / 6) / BLACK	LH FASCIA END PANEL / OUTER AIR VENT
FC7	THROUGH-PANEL (48 MICRO / 6) / BLACK	PASSENGER'S UNDERSCUTTLE
LS3	THROUGH-PANEL (48 MICRO / 6) / BLACK	LH 'A' POST / 'A' POST PANEL

GROUNDS

Ground	Location / Type
CAG30R	LH 'A' POST GROUND SCREW
CAG33R	RH HEELBOARD GROUND SCREW
FCG28L	LH CONSOLE GROUND STUD

CONTROL MODULE PIN OUT INFORMATION (FOLD OUT PAGE)



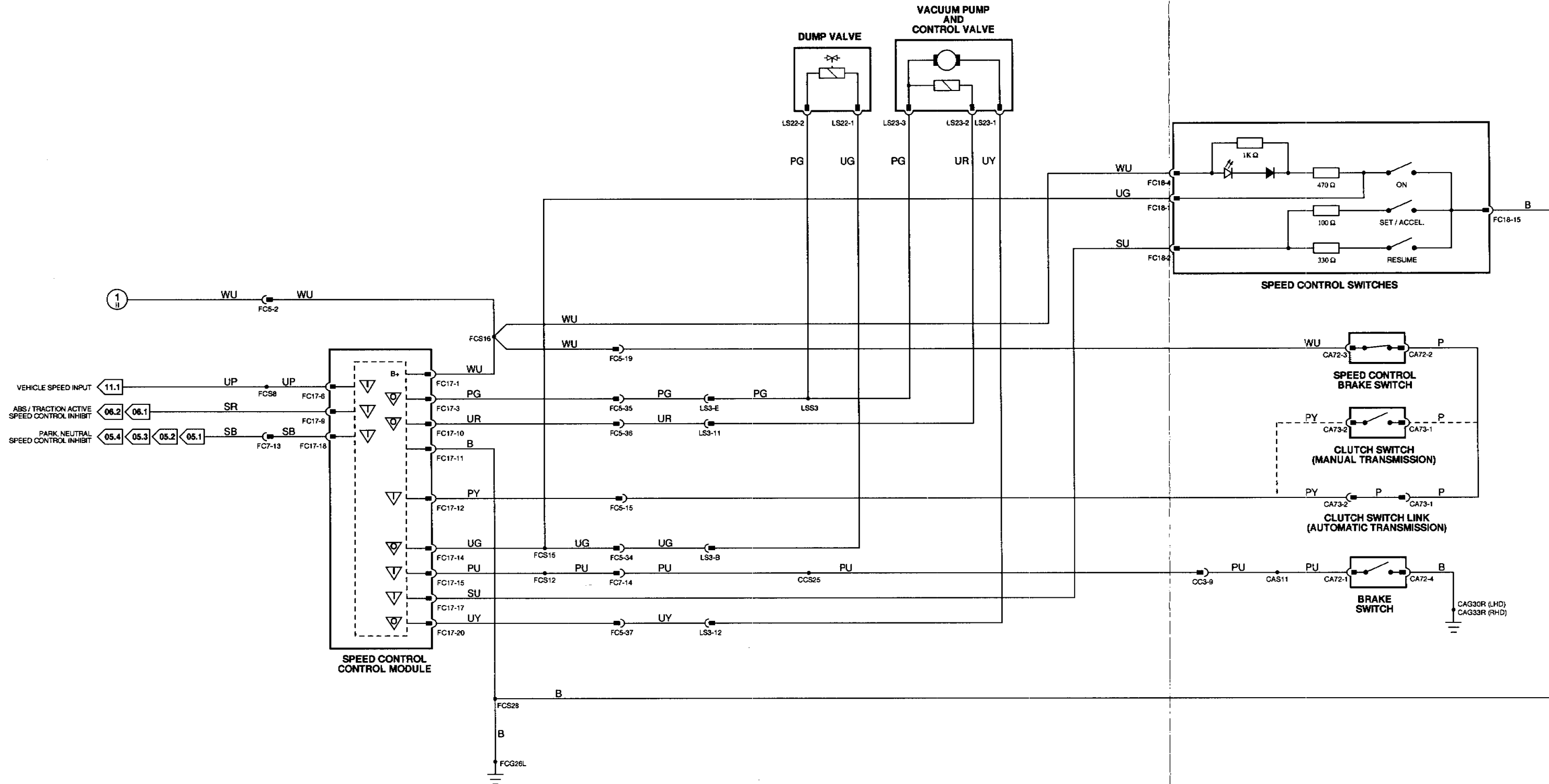
The following symbols are used to represent values for Control Module Pin Out data:

I	Input	B+	Battery voltage
O	Output	V	Voltage (DC)
SG	Signal Ground	Hz	Frequency
D	Serial and encoded communications	KHz	Frequency x 1000
		MS	Milliseconds
		MV	Millivolts

CAUTION: The information on this data page is furnished to aid the user in understanding circuit operation. THIS INFORMATION SHOULD BE USED FOR REFERENCE ONLY.

NOTE: The values listed are approximately those that can be expected at the control module connector pins with all circuit connections made and all components connected and fitted. "Active" means a load is applied or a switch is ON; "Inactive" means a load is not applied or a switch is OFF.

REFER TO THE FRONT OF THE BOOK FOR ILLUSTRATIONS DETAILING THE LOCATION AND IDENTIFICATION OF COMPONENTS, RELAYS, CONNECTORS, HARNESES, GROUNDS, VEHICLE CONTROL MODULES AND CONTROL MODULE PINS.



CONTROL MODULE PIN OUT INFORMATION

BODY PROCESSOR MODULE

Pin	Description	Active	Inactive
○ FC1-18	FRONT FOG LAMPS AND STATE LAMP ON	GROUND	B+
○ FC1-29	LH DIPPED BEAM ON	GROUND	B+
○ FC1-32	HEADLAMP MAIN BEAM INDICATOR	GROUND	B+
○ FC1-39	RH DIPPED BEAM ON	GROUND	B+
○ FC1-41	MAIN BEAM ON	GROUND	B+
I FC2-3	SIDE LAMPS ON	GROUND	B+
I FC2-6	HEADLAMP CONVENIENCE	GROUND PULSE	B+
I FC2-31	IGNITION SWITCHED GROUND	GROUND	B+
I FC2-37	HEADLAMP FLASH SWITCH	GROUND	B+
I FC2-40	HEADLAMPS ON	GROUND	B+
I FC2-43	FRONT FOG LAMPS	GROUND	B+

Fig. 09.1

COMPONENTS

Component	Connector / Type / Color	Location / Access
BODY PROCESSOR MODULE	FC1 / 48-WAY PCB SIGNAL / YELLOW FC2 / 48-WAY PCB SIGNAL / BLACK FC3 / 6-WAY PCB SIGNAL / BLACK	PASSENGER'S UNDERSCUTTLE
FOG LAMP - LH	BL4 / 2-WAY JUNIOR TIMER / BLACK	LH REAR LAMP UNIT
FOG LAMP - RH	BR4 / 2-WAY JUNIOR TIMER / BLACK	RH REAR LAMP UNIT
HEADLAMP FLASH SWITCH (COLUMN SWITCHGEAR)	SC3 / 6-WAY MULTILOCK 070 / WHITE	STEERING COLUMN / COVER
HEADLAMP - LH	LS38 / 6-WAY ECONOSEAL III LC / BLACK	LH HEADLAMP
HEADLAMP - RH	RS38 / 6-WAY ECONOSEAL III LC / BLACK	RH HEADLAMP
LIGHTING SWITCHES	FC12 / 16-WAY MULTILOCK 040 / BLUE	FASCIA SWITCH PACK
SIDE MARKER LAMP - LH (NAS ONLY)	BL5 / 2-WAY JUNIOR TIMER / BLACK	LH FRONT LAMP UNIT
SIDE MARKER LAMP - RH (NAS ONLY)	BR5 / 2-WAY JUNIOR TIMER / BLACK	RH FRONT LAMP UNIT

RELAYS

Relay	Color / Stripe	Connector / Color	Location / Access
DIP RELAY - LH	BLACK	LS54 / BLACK	ENGINE BAY, LH FRONT
DIP RELAY - RH	BLACK	RS47 / BLACK	ENGINE BAY, RH FRONT
FRONT FOG LAMP RELAY	BLACK	LS55 / BLACK	ENGINE BAY, LH FRONT
MAIN BEAM RELAY	BLACK	RS46 / BLACK	ENGINE BAY, RH FRONT

HARNESS-TO-HARNESS CONNECTORS

Connector	Type / Color	Location / Access
BL1	13-WAY ECONOSEAL III LC / BLACK	LH FRONT WHEEL ARCH LINER / SPOILER AND SPOILER TRAY
BR1	15-WAY ECONOSEAL III LC / BLACK	RH FRONT WHEEL ARCH LINER / SPOILER AND SPOILER TRAY
FC4	20-WAY MULTILOCK 040 / BLUE	DRIVER'S UNDERSCUTTLE
FC5	THROUGH-PANEL (48 MICRO / 6) / BLACK	LH FASCIA END PANEL / OUTER AIR VENT
FC8	THROUGH-PANEL (48 MICRO / 6) / BLACK	RH FASCIA END PANEL / OUTER AIR VENT
FC7	THROUGH-PANEL (48 MICRO / 6) / BLACK	PASSENGER'S UNDERSCUTTLE
FC16	20-WAY MULTILOCK 040 / BLACK	PASSENGER'S UNDERSCUTTLE
LS3	THROUGH-PANEL (48 MICRO / 6) / BLACK	LH 'A' POST / 'A' POST PANEL
PI1	13-WAY ECONOSEAL III LC / WHITE	REARWARD OF RH HEADLAMP
PI59	13-WAY ECONOSEAL III LC / BLACK	FORWARD OF LH ENGINE BAY FUSE BOX
RS3	THROUGH-PANEL (48 MICRO / 6) / BROWN	RH 'A' POST / 'A' POST PANEL

GROUND

Ground	Location / Type
FCG15L	LH CONSOLE GROUND STUD
LSG52L	LEFT FORWARD GROUND STUD
RSG8R	RIGHT FORWARD GROUND STUD
RSG41R	RIGHT FORWARD GROUND STUD
RSG42R	RH BULKHEAD GROUND STUD

CONTROL MODULE PIN OUT INFORMATION (FOLD OUT PAGE)



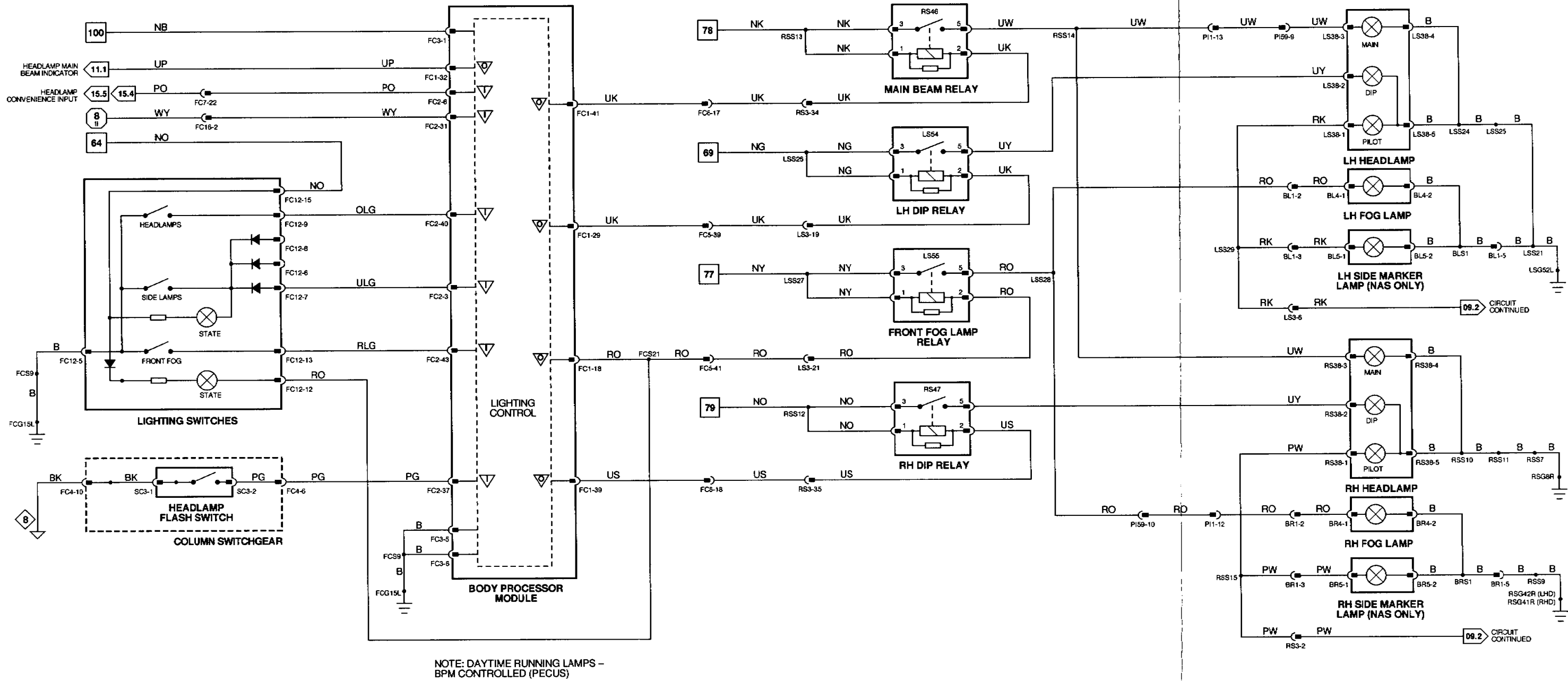
The following symbols are used to represent values for Control Module Pin Out data:

I	Input	B+	Battery voltage
○	Output	V	Voltage (DC)
SG	Signal Ground	Hz	Frequency
D	Serial and encoded communications	KHz	Frequency x 1000
		MS	Milliseconds
		MV	Millivolts

CAUTION: The information on this data page is furnished to aid the user in understanding circuit operation. THIS INFORMATION SHOULD BE USED FOR REFERENCE ONLY.

NOTE: The values listed are approximately those that can be expected at the control module connector pins with all circuit connections made and all components connected and fitted. "Active" means a load is applied or a switch is ON; "Inactive" means a load is not applied or a switch is OFF.

REFER TO THE FRONT OF THE BOOK FOR ILLUSTRATIONS DETAILING THE LOCATION AND IDENTIFICATION OF COMPONENTS, RELAYS, CONNECTORS, HARNESSSES, GROUNDS, VEHICLE CONTROL MODULES AND CONTROL MODULE PINS.



1 6 Fig. 01.1

7 66 Fig. 01.2

67 109 Fig. 01.3

Fig. 01.4

Fig. 02.1

Fig. 02.2

Input

Output

Serial and Encoded Communications

Signal Ground (SG)

VARIANT: NAS Vehicles
VIN RANGE: 746613 →
DATE OF ISSUE: NOVEMBER 1995

CONTROL MODULE PIN OUT INFORMATION

BODY PROCESSOR MODULE

Pin	Description	Active	Inactive
O FC1-14	LH PILOT BEAM, SIDE LAMPS AND TAIL LAMPS ON	GROUND	B+
O FC1-47	REAR FOG LAMPS AND STATE LAMP ON	GROUND	B+
I FC2-3	SIDE LAMPS ON	GROUND	B+
I FC2-31	IGNITION SWITCHED GROUND	GROUND	B+
I FC2-45	REAR FOG GUARD LAMP REQUEST	GROUND	B+

Fig. 09.2

COMPONENTS

Component	Connector / Type / Color	Location / Access
BODY PROCESSOR MODULE	FC1 / 48-WAY PCB SIGNAL / YELLOW FC2 / 48-WAY PCB SIGNAL / BLACK FC3 / 6-WAY PCB SIGNAL / BLACK	PASSENGER'S UNDERSCUTTLE
LAMP CONTROL MODULE	BT20 / 18-WAY MULTILOCK 070 / WHITE BT21 / 20-WAY MULTILOCK 040 / BLACK FC12 / 16-WAY MULTILOCK 040 / BLUE	TRUNK ELECTRICAL CARRIER
LIGHTING SWITCHES	FC27 / 2-WAY POSILOCK / BLACK	FASCIA SWITCH PACK
NUMBER PLATE LAMP - LH	BT11 / 2-WAY POSILOCK / BLACK	TRUNK LID / TRUNK LID TRIM
NUMBER PLATE LAMP - RH	BT11 / 2-WAY POSILOCK / BLACK	TRUNK LID / TRUNK LID TRIM
SIDE MARKER LAMP - LH	SR1-L / 2-WAY JUNIOR TIMER / BLACK	LH FRONT LAMP UNIT
SIDE MARKER LAMP - RH	SR1-R / 2-WAY JUNIOR TIMER / BLACK	RH FRONT LAMP UNIT
TAIL LAMP UNIT - LH	TL4 / 7-WAY JUNIOR TIMER / BLACK	LH REAR / TRUNK TRIM
TAIL LAMP UNIT - RH	TL3 / 7-WAY JUNIOR TIMER / BLACK	RH REAR / TRUNK TRIM

HARNESSTO-HARNESSTO CONNECTORS

Connector	Type / Color	Location / Access
BT4	THROUGH-PANEL (48 MICRO / 6) / BLACK	ABOVE FUEL TANK / FUEL TANK TRIM
BT50	18-WAY MULTILOCK 070 / WHITE	ADJACENT TO TRUNK FUSE BOX
CC3	20-WAY MULTILOCK 040 / BLACK	CENTER CONSOLE / CENTER CONSOLE GLOVE BOX
FC5	THROUGH-PANEL (48 MICRO / 6) / BLACK	LH FASCIA END PANEL / OUTER AIR VENT
FC6	THROUGH-PANEL (48 MICRO / 6) / BLACK	RH FASCIA END PANEL / OUTER AIR VENT
FC16	20-WAY MULTILOCK 040 / BLACK	PASSENGER'S UNDERSCUTTLE
LS3	THROUGH-PANEL (48 MICRO / 6) / BLACK	LH 'A' POST / 'A' POST PANEL
RS3	THROUGH-PANEL (48 MICRO / 6) / BROWN	RH 'A' POST / 'A' POST PANEL
TL5	2-WAY MULTILOCK 040 / GREEN	ADJACENT TO RH TAIL LAMP CLUSTER
TL6	2-WAY MULTILOCK 040 / GREEN	ADJACENT TO LH TAIL LAMP CLUSTER

GROUNDS

Ground	Location / Type
BTG48L	REAR TRUNK GROUND STUD
BTG48R	REAR TRUNK GROUND STUD
FCG15L	LH CONSOLE GROUND STUD

CONTROL MODULE PIN OUT INFORMATION (FOLD OUT PAGE)



The following symbols are used to represent values for Control Module Pin Out data:

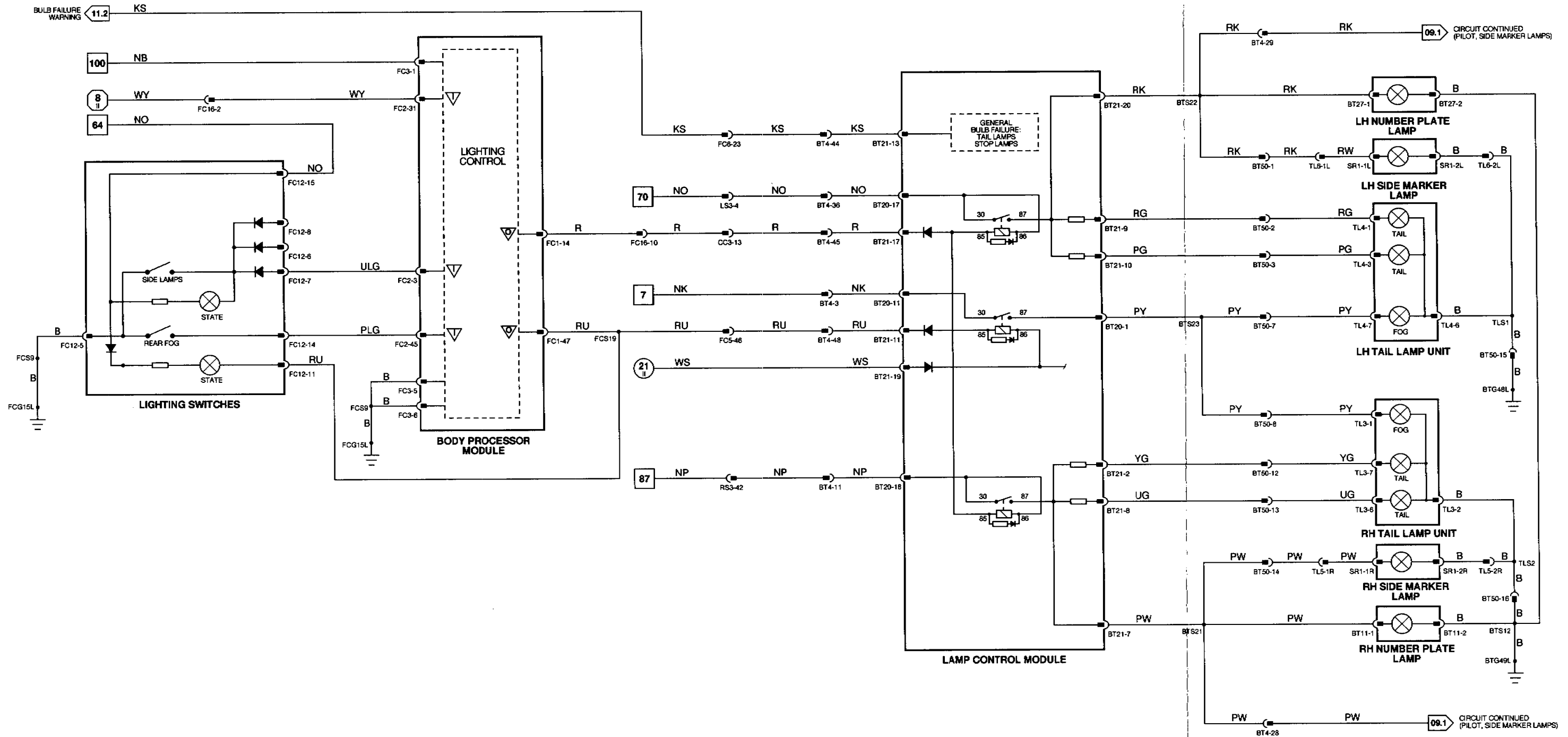
I	Input	B+	Battery voltage
O	Output	V	Voltage (DC)
SG	Signal Ground	Hz	Frequency
D	Serial and encoded communications	KHz	Frequency x 1000
		MS	Milliseconds
		MV	Millivolts

CAUTION: The information on this data page is furnished to aid the user in understanding circuit operation. THIS INFORMATION SHOULD BE USED FOR REFERENCE ONLY.

NOTE: The values listed are approximately those that can be expected at the control module connector pins with all circuit connections made and all components connected and fitted. "Active" means a load is applied or a switch is ON; "Inactive" means a load is not applied or a switch is OFF.

REFER TO THE FRONT OF THE BOOK FOR ILLUSTRATIONS DETAILING THE LOCATION AND IDENTIFICATION OF COMPONENTS, RELAYS, CONNECTORS, HARNESSES, GROUNDS, VEHICLE CONTROL MODULES AND CONTROL MODULE PINS.

DATE OF ISSUE: NOVEMBER 1995



1-6

Fig. 01.1

7-66

Fig. 01.2

67-109

Fig. 01.3

Fig. 01.4

Fig. 02.1

Fig. 02.2

Input

Output

Serial and Encoded Communications

Signal Ground (SG)

VARIANT: All Vehicles
 VIN RANGE: 746613 →
 DATE OF ISSUE: NOVEMBER 1995

Fig. 09.3

COMPONENTS

Component	Connector / Type / Color	Location / Access
BRAKE SWITCH	CA72 / 4-WAY MULTILOCK 070 / WHITE	DRIVER'S UNDERSCUTTLE
DIODE (BT51) - HIGH MOUNTED STOP LAMP	BT51 / DIODE / BLACK	TRUNK HARNESS, ADJACENT TO BATTERY / RH FLOOR PANEL
HIGH MOUNTED STOP LAMP	CA35 / 3-WAY MT EDGE / SLATE	BACKLIGHT
LAMP CONTROL MODULE	BT20 / 18-WAY MULTILOCK 070 / WHITE BT21 / 20-WAY MULTILOCK 040 / BLACK	TRUNK ELECTRICAL CARRIER
LINEAR GEAR POSITION SWITCHES	CC21 / 20-WAY MULTILOCK 040 / BLACK	'J' GATE / CENTER CONSOLE
REVERSE SWITCH (AJ16 MANUAL)	CC45 / 2-WAY SUMITOMO / WHITE	TRANSMISSION TUNNEL / CENTER CONSOLE
ROTARY SWITCH	GB1 (FLY LEAD) / 8-WAY MULTILOCK 070 / WHITE GB2 (FLY LEAD) / 12-WAY MULTILOCK 040 / BLACK	'J' GATE / CENTER CONSOLE
TAIL LAMP UNIT - LH	TL4 / 7-WAY JUNIOR TIMER / BLACK	LH REAR / TRUNK TRIM
TAIL LAMP UNIT - RH	TL3 / 7-WAY JUNIOR TIMER / BLACK	RH REAR / TRUNK TRIM

RELAYS

Relay	Color / Stripe	Connector / Color	Location / Access
HIGH MOUNTED STOP LAMP RELAY	BLACK / VIOLET	BT13 / RED	TRUNK ELECTRICAL CARRIER

HARNESSTO-HARNESSTO CONNECTORS

Connector	Type / Color	Location / Access
BT4	THROUGH-PANEL (48 MICRO / 8) / BLACK	ABOVE FUEL TANK / FUEL TANK TRIM
BT50	18-WAY MULTILOCK 070 / WHITE	ADJACENT TO TRUNK FUSE BOX
CC3	20-WAY MULTILOCK 040 / BLACK	CENTER CONSOLE / CENTER CONSOLE GLOVE BOX
FC6	THROUGH-PANEL (48 MICRO / 8) / BLACK	RH FASCIA END PANEL / OUTER AIR VENT

GROUNDS

Ground	Location / Type
BTG18L	REAR TRUNK GROUND STUD
BTG49L	REAR TRUNK GROUND STUD
CAG30R	LH 'A' POST GROUND SCREW
CAG33R	RH HEELBOARD GROUND SCREW
CAG82R	RH HEELBOARD GROUND SCREW
CCG51L	CENTER CONSOLE GROUND STUD
CCG51R	CENTER CONSOLE GROUND STUD
CCG8L	CENTER CONSOLE GROUND STUD

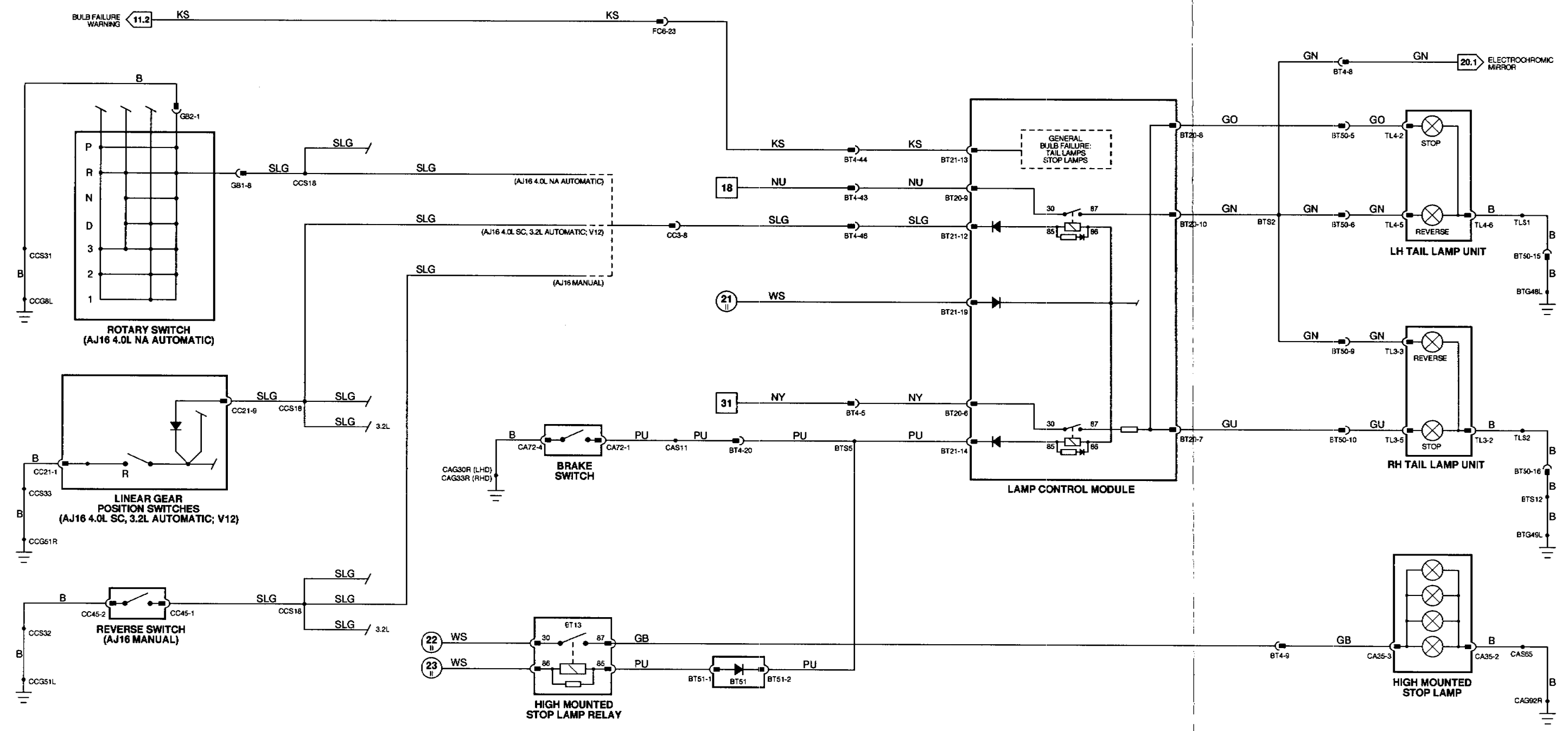
The following symbols are used to represent values for Control Module Pin Out data:

I	Input	B+	Battery voltage
O	Output	V	Voltage (DC)
SG	Signal Ground	Hz	Frequency
D	Serial and encoded communications	KHz	Frequency x 1000
		MS	Milliseconds
		MV	Millivolts

CAUTION: The information on this data page is furnished to aid the user in understanding circuit operation. THIS INFORMATION SHOULD BE USED FOR REFERENCE ONLY.

NOTE: The values listed are approximately those that can be expected at the control module connector pins with all circuit connections made and all components connected and fitted. "Active" means a load is applied or a switch is ON; "Inactive" means a load is not applied or a switch is OFF.

REFER TO THE FRONT OF THE BOOK FOR ILLUSTRATIONS DETAILING THE LOCATION AND IDENTIFICATION OF COMPONENTS, RELAYS, CONNECTORS, HARNESSES, GROUNDS, VEHICLE CONTROL MODULES AND CONTROL MODULE PINS.



CONTROL MODULE PIN OUT INFORMATION

BODY PROCESSOR MODULE

Pin	Description	Active	Inactive
○ FC1-17	LH DI INDICATOR	GROUND PULSE	B+
○ FC1-19	RH DI INDICATOR	GROUND PULSE	B+
○ FC1-38	HAZARD WARNING STATE LAMP	GROUND PULSE	B+
○ FC1-46	DI BULB FAIL WARNING LAMP	GROUND	B+
I FC2-10	LH DI BULB FAILURE	GROUND	B+
I FC2-18	RH DI REQUEST	GROUND	B+
I FC2-27	HAZARD LAMPS REQUEST	GROUND	B+
I FC2-31	IGNITION SWITCHED GROUND	GROUND	B+
I FC2-34	RH DI FAILURE	GROUND	B+
I FC2-42	RH GROUND DISCONNECT LOOP	GROUND	B+
I FC2-44	LH GROUND DISCONNECT LOOP	GROUND	B+
I FC2-46	LH DI REQUEST	GROUND	B+

Fig. 09.4

COMPONENTS

Component	Connector / Type / Color	Location / Access
BODY PROCESSOR MODULE	FC1 / 48-WAY PCB SIGNAL / YELLOW FC2 / 48-WAY PCB SIGNAL / BLACK FC3 / 6-WAY PCB SIGNAL / BLACK	PASSENGER'S UNDERSCUTTLE
CENTER CONSOLE SWITCH PACK	CC1 / 18-WAY MULTILOCK 040 / BLACK	CENTER CONSOLE
DIODE (FC58) - RH DI INDICATOR	FC58 / DIODE / BLACK	FASCIA HARNESS / INSTRUMENT PACK
DIODE (FC60) - LH DI INDICATOR	FC60 / DIODE / BLACK	FASCIA HARNESS / INSTRUMENT PACK
DIRECTION INDICATOR SWITCHES (COLUMN SWITCHGEAR)	SC3 / 6-WAY MULTILOCK 070 / WHITE	STEERING COLUMN / COVER
DIRECTION INDICATORS - LH FRONT	BL2 / 3-WAY JUNIOR TIMER / BLACK	LH FRONT / SPOILER
DIRECTION INDICATORS - RH FRONT	BR2 / 3-WAY JUNIOR TIMER / BLACK	RH FRONT / SPOILER
LAMP CONTROL MODULE	BT20 / 18-WAY MULTILOCK 070 / WHITE BT21 / 20-WAY MULTILOCK 040 / BLACK	TRUNK ELECTRICAL CARRIER
REPEATER - LH FRONT	LS17 / 2-WAY JUNIOR TIMER / BLACK	LH FRONT FENDER
REPEATER - RH FRONT	RS12 / 2-WAY JUNIOR TIMER / BLACK	RH FRONT FENDER
TAIL LAMP UNIT - LH	TL4 / 7-WAY JUNIOR TIMER / BLACK	LH REAR / TRUNK TRIM
TAIL LAMP UNIT - RH	TL3 / 7-WAY JUNIOR TIMER / BLACK	RH REAR / TRUNK TRIM

HARNESS-TO-HARNESS CONNECTORS

Connector	Type / Color	Location / Access
BL1	13-WAY ECONOSEAL III LC / BLACK	LH FRONT WHEEL ARCH LINER / SPOILER AND SPOILER TRAY
BR1	15-WAY ECONOSEAL III LC / BLACK	RH FRONT WHEEL ARCH LINER / SPOILER AND SPOILER TRAY
BT4	THROUGH-PANEL (48 MICRO / 6) / BLACK	ABOVE FUEL TANK / FUEL TANK TRIM
BT50	18-WAY MULTILOCK 070 / WHITE	ADJACENT TO TRUNK FUSE BOX
FC16	20-WAY MULTILOCK 040 / BLACK	PASSENGER'S UNDERSCUTTLE
FC4	20-WAY MULTILOCK 040 / BLUE	DRIVER'S UNDERSCUTTLE
FC5	THROUGH-PANEL (48 MICRO / 6) / BLACK	LH FASCIA END PANEL / OUTER AIR VENT
FC6	THROUGH-PANEL (48 MICRO / 6) / BLACK	RH FASCIA END PANEL / OUTER AIR VENT
FC7	THROUGH-PANEL (48 MICRO / 6) / BLACK	PASSENGER'S UNDERSCUTTLE
FC16	20-WAY MULTILOCK 040 / BLACK	PASSENGER'S UNDERSCUTTLE
LS3	THROUGH-PANEL (48 MICRO / 6) / BLACK	LH 'A' POST / 'A' POST PANEL
RS3	THROUGH-PANEL (48 MICRO / 6) / BROWN	RH 'A' POST / 'A' POST PANEL

GROUNDS

Ground	Location / Type
BTG48L	REAR TRUNK GROUND STUD
BTG48R	REAR TRUNK GROUND STUD
BTG49L	REAR TRUNK GROUND STUD
CCG51L	CENTER CONSOLE GROUND STUD
FCG15L	LH CONSOLE GROUND STUD
LSG19R	LH BULKHEAD GROUND STUD
LSG52L	LEFT FORWARD GROUND STUD
RSG41R	RIGHT FORWARD GROUND STUD
RSG42R	RH BULKHEAD GROUND STUD

CONTROL MODULE PIN OUT INFORMATION (FOLD OUT PAGE)



REFER TO THE FRONT OF THE BOOK FOR ILLUSTRATIONS DETAILING THE LOCATION AND IDENTIFICATION OF COMPONENTS, RELAYS, CONNECTORS, HARNESSSES, GROUNDS, VEHICLE CONTROL MODULES AND CONTROL MODULE PINS.

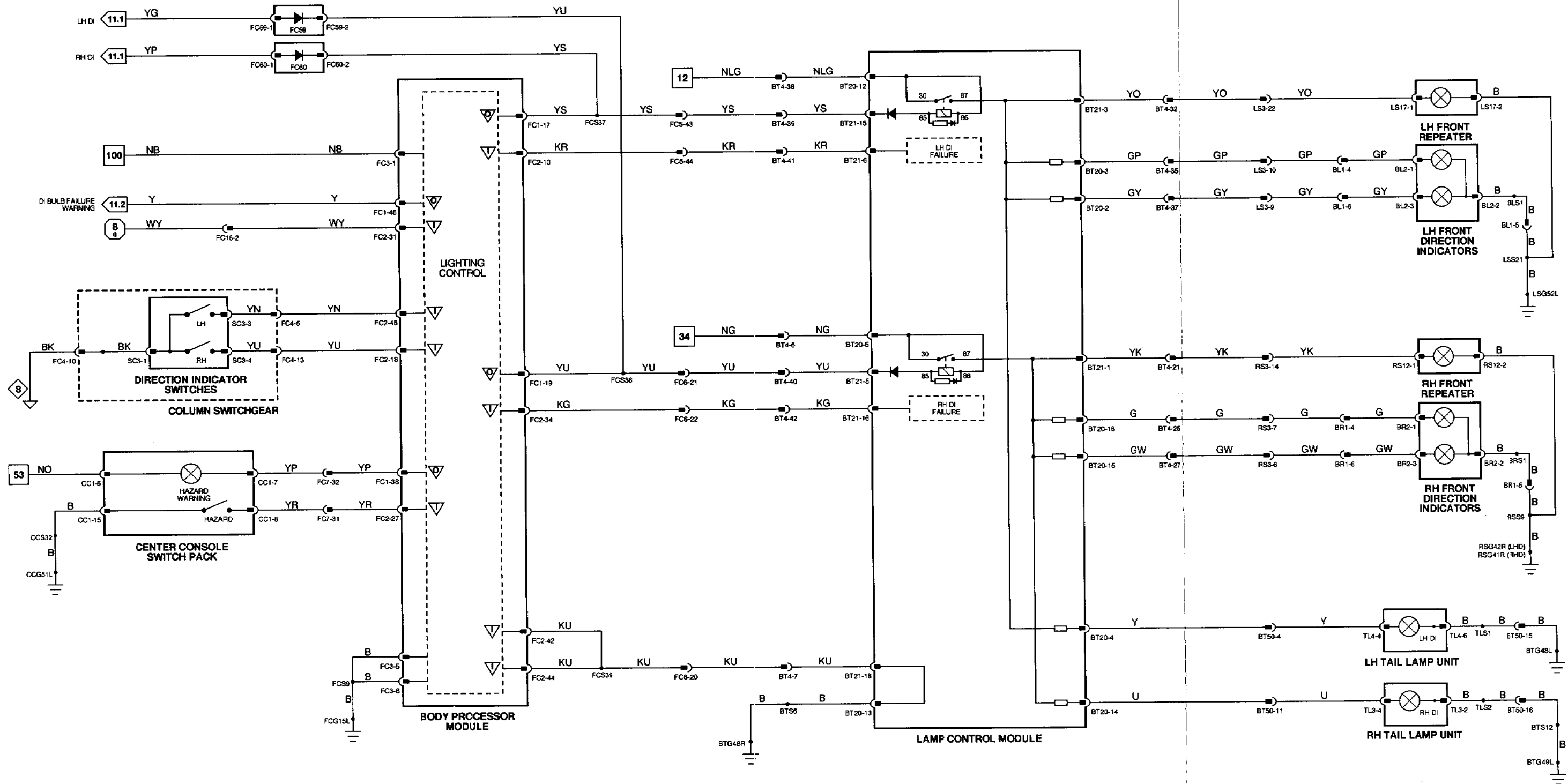


Fig. 09.5**COMPONENTS**

Component	Connector / Type / Color	Location / Access
CENTER CONSOLE SWITCH PACK AND CLOCK	CC1 / 16-WAY MULTILOCK 040 / BLACK	CENTER CONSOLE
HEADLAMP LEVELING ACTUATOR - LH	LS41 / 3-WAY GROTE AND HARTMAN / BLACK	LH HEADLAMP, REAR
HEADLAMP LEVELING ACTUATOR - RH	RS22 / 3-WAY GROTE AND HARTMAN / BLACK	RH HEADLAMP, REAR

HARNESS-TO-HARNESS CONNECTORS

Connector	Type / Color	Location / Access
CC3	20-WAY MULTILOCK 040 / BLACK	CENTER CONSOLE / CENTER CONSOLE GLOVE BOX
CC5	20-WAY MULTILOCK 040 / GREEN	CENTER CONSOLE / CENTER CONSOLE GLOVE BOX
LS3	THROUGH-PANEL (48 MICRO / 8) / BLACK	LH 'A' POST / 'A' POST PANEL
RS3	THROUGH-PANEL (48 MICRO / 8) / BROWN	RH 'A' POST / 'A' POST PANEL

GROUNDS

Ground	Location / Type
CCG51L	CENTER CONSOLE GROUND STUD
LSG52L	LEFT FORWARD GROUND STUD
RSG8R	RIGHT FORWARD GROUND

REFER TO THE FRONT OF THE BOOK FOR ILLUSTRATIONS DETAILING THE LOCATION AND IDENTIFICATION OF COMPONENTS, RELAYS, CONNECTORS, HARNESES, GROUNDS, VEHICLE CONTROL MODULES AND CONTROL MODULE PINS.

DATE OF ISSUE: NOVEMBER 1995

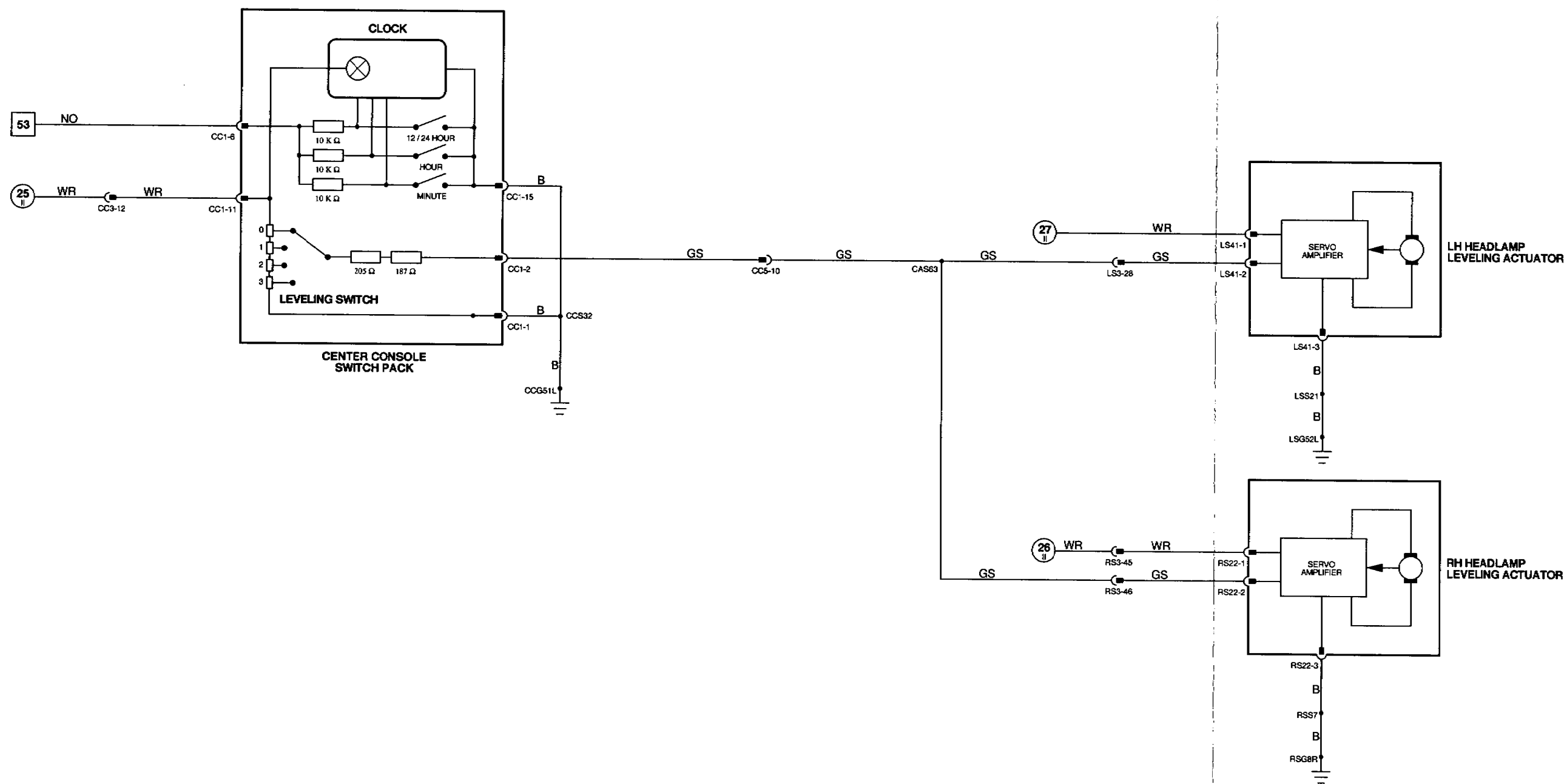


Fig. 10.1

CONTROL MODULE PIN OUT INFORMATION

BODY PROCESSOR MODULE

Pin	Description	Active	Inactive
0 FC1-12	RH TRUNK LAMP	GROUND	B+
0 FC1-15	LH TRUNK LAMP	GROUND	B+
0 FC1-24	INTERIOR AND COURTESY LAMPS	GROUND	B+
0 FC1-30	PUDDLE LAMP RELAY	GROUND	B+
I FC2-2	INTERIOR LAMPS ON	GROUND	B+
I FC2-29	CONSOLE INTERIOR LAMP SWITCH	GROUND	B+
I FC2-30	PASSENGER DOOR AJAR	GROUND	B+
I FC2-32	TRUNK AJAR	GROUND	B+
I FC2-33	DRIVER DOOR AJAR	GROUND	B+
I FC2-41	INTERIOR LAMP EXTINGUISH DURING CRANK	GROUND	B+
I FC2-48	KEY IN IGNITION SWITCH	GROUND	B+

COMPONENTS

Component	Connector / Type / Color	Location / Access
BODY PROCESSOR MODULE	FC1 / 48-WAY PCB SIGNAL / YELLOW FC2 / 48-WAY PCB SIGNAL / BLACK FC3 / 6-WAY PCB SIGNAL / BLACK	PASSENGER'S UNDERSCUTTLE
DOOR SWITCH PACK - DRIVER	DD1 / 12-WAY MULTILOCK 47 / WHITE DD2 / 22-WAY MULTILOCK 47 / WHITE	ARM REST / TOP ROLL
DOOR SWITCH PACK - LH REAR	RD1-L / 12-WAY MULTILOCK 070 / WHITE	DOOR CASING
DOOR SWITCH PACK - PASSENGER	PD1 / 26-WAY MULTILOCK 47 / SLATE	ARM REST / TOP ROLL
DOOR SWITCH PACK - RH REAR	RD1-R / 12-WAY MULTILOCK 070 / WHITE	DOOR CASING
DOOR SWITCH - DRIVER	DD3 / 13-WAY ECONOSEAL III LC / BLACK	DOOR CASING
DOOR SWITCH - LH REAR	RD3-L / 6-WAY ECONOSEAL III LC / BLACK	DOOR CASING
DOOR SWITCH - PASSENGER	PD3 / 13-WAY ECONOSEAL III LC / BLACK	DOOR CASING
DOOR SWITCH - RH REAR	RD3-R / 6-WAY ECONOSEAL III LC / BLACK	DOOR CASING
E-POST LAMP - LH	CA89 / 4-WAY MULTILOCK 040 / BLACK	'E' POST LAMP
E-POST LAMP - RH	CA89 / 4-WAY MULTILOCK 040 / BLACK	'E' POST LAMP
GLOVE BOX LAMP	G11 / LUCAR / WHITE G12 / LUCAR / WHITE	GLOVE BOX GLOVE BOX
IGNITION SWITCH	FC54 (FLY LEAD) / 8-WAY MULTILOCK 070 / WHITE	STEERING COLUMN / COVER
INTERIOR / MAP LAMPS CONSOLE	CA83 / 8-WAY MULTILOCK / BLACK	ROOF CONSOLE
PUDDLE LAMP - DRIVER DOOR	DD14 / 2-WAY JUNIOR TIMER / BLACK	DOOR CASING
PUDDLE LAMP - LH REAR DOOR	RD7L / LUCAR / WHITE RD8L / LUCAR / WHITE	DOOR CASING
PUDDLE LAMP - PASSENGER DOOR	PD14 / 2-WAY JUNIOR TIMER / BLACK	DOOR CASING
PUDDLE LAMP - RH REAR DOOR	RD7R / LUCAR / WHITE RD8R / LUCAR / WHITE	DOOR CASING
SUNVISOR LAMP - LH	CA68 / 2-WAY MULTILOCK 040 / BLACK	LH SUNVISOR
SUNVISOR LAMP - RH	CA70 / 2-WAY MULTILOCK 040 / BLACK	RH SUNVISOR
TRUNK LAMP - LH	BT46 / 2-WAY JUNIOR TIMER / BLACK	TRUNK, LH SIDE, REAR
TRUNK LAMP - RH	BT47 / 2-WAY JUNIOR TIMER / BLACK	TRUNK, RH SIDE, REAR
TRUNK SWITCH	BT15 / 2-WAY FORD DIAGNOSTIC / BLACK	TRUNK LID / TRUNK LID TRIM

RELAYS

Relay	Color / Stripe	Connector / Color	Location / Access
PUDDLE LAMP RELAY - DRIVER	BLUE	CA53 / YELLOW	LH HEELBOARD

HARNESS-TO-HARNESS CONNECTORS

Connector	Type / Color	Location / Access
BT4	THROUGH-PANEL (48 MICRO / 6) / BLACK	ABOVE FUEL TANK / FUEL TANK TRIM
CA8	20-WAY MULTILOCK 040 / GREEN	DRIVER'S 'A' POST / 'A' POST TRIM
CA9	20-WAY MULTILOCK 040 / BLACK	DRIVER'S 'A' POST / 'A' POST TRIM
CA10	8-WAY MULTILOCK 070 / WHITE	DRIVER'S 'A' POST / 'A' POST TRIM
CA11	20-WAY MULTILOCK 040 / BLACK	PASSENGER'S UNDERSCUTTLE / ECM
CA12	15-WAY MULTILOCK 070 / WHITE	PASSENGER'S UNDERSCUTTLE / ECM
CA13	12-WAY MULTILOCK 040 / BLACK	LH 'BC' POST / 'BC' POST PANEL
CA14	2-WAY MULTILOCK 070 / WHITE	LH 'BC' POST / 'BC' POST PANEL
CA15	12-WAY MULTILOCK 040 / BLACK	RH 'BC' POST / 'BC' POST PANEL
CA16	2-WAY MULTILOCK 040 / WHITE	RH 'BC' POST / 'BC' POST PANEL
CC3	20-WAY MULTILOCK 040 / BLACK	CENTER CONSOLE / CENTER CONSOLE GLOVE BOX
CC4	14-WAY MULTILOCK 070 / WHITE	CENTER CONSOLE / CENTER CONSOLE GLOVE BOX
CC5	20-WAY MULTILOCK 040 / GREEN	CENTER CONSOLE / CENTER CONSOLE GLOVE BOX
CC18	20-WAY MULTILOCK 040 / BLUE	CENTER CONSOLE / CENTER CONSOLE GLOVE BOX
CC53	2-WAY MULTILOCK 040 / BLACK	PASSENGER'S UNDERSCUTTLE
FC5	THROUGH-PANEL (48 MICRO / 6) / BLACK	LH FASCIA END PANEL / OUTER AIR VENT
FC6	THROUGH-PANEL (48 MICRO / 6) / BLACK	RH FASCIA END PANEL / OUTER AIR VENT
FC7	THROUGH-PANEL (48 MICRO / 6) / BLACK	PASSENGER'S UNDERSCUTTLE
FC18	20-WAY MULTILOCK 040 / BLACK	PASSENGER'S UNDERSCUTTLE

GROUNDS

Ground	Location / Type
CAG30L	LH 'A' POST GROUND SCREW
CAG30R	LH 'A' POST GROUND SCREW
CAG31R	PARCEL SHELF GROUND SCREW
CAG33L	RH HEELBOARD GROUND SCREW
CAG32L	RH HEELBOARD GROUND SCREW
CAG33R	LH HEELBOARD GROUND SCREW
FCG15L	LH CONSOLE GROUND STUD
FCG26R	LH CONSOLE GROUND STUD

CONTROL MODULE PIN OUT INFORMATION (FOLD OUT PAGE)



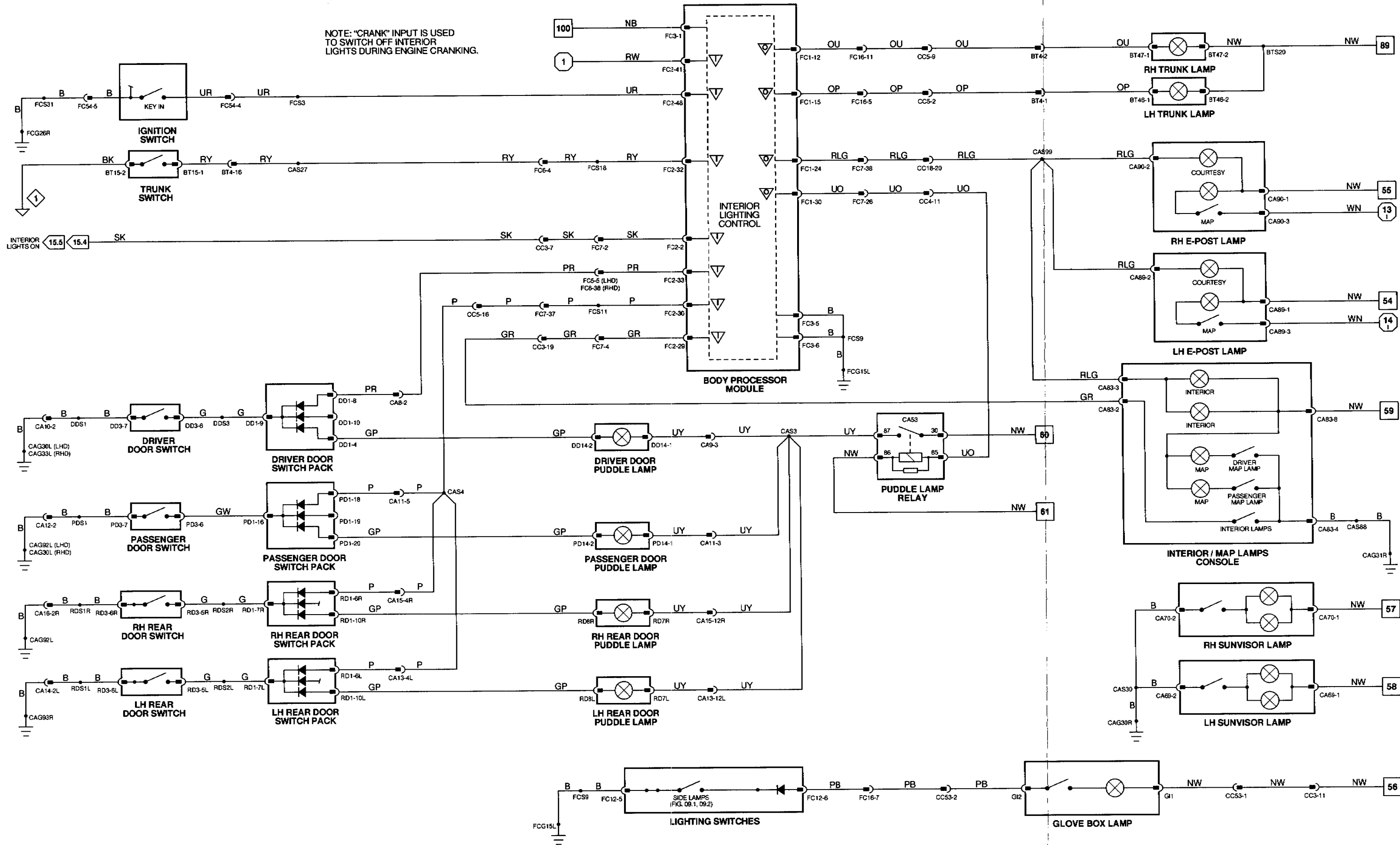
The following symbols are used to represent values for Control Module Pin Out data:

I Input	B+ Battery voltage
O Output	V Voltage (DC)
SG Signal Ground	Hz Frequency
D Serial and encoded communications	KHz Frequency x 1000
	MS Milliseconds
	MV Millivolts

CAUTION: The information on this data page is furnished to aid the user in understanding circuit operation. THIS INFORMATION SHOULD BE USED FOR REFERENCE ONLY.

NOTE: The values listed are approximately those that can be expected at the control module connector pins with all circuit connections made and all components connected and fitted. "Active" means a load is applied or a switch is ON; "Inactive" means a load is not applied or a switch is OFF.

REFER TO THE FRONT OF THE BOOK FOR ILLUSTRATIONS DETAILING THE LOCATION AND IDENTIFICATION OF COMPONENTS, RELAYS, CONNECTORS, HARNESES, GROUNDS, VEHICLE CONTROL MODULES AND CONTROL MODULE PINS.



1-6 Fig. 01.1

7-66 Fig. 01.2

67-109 Fig. 01.3

1-11 Fig. 01.4

1-11 Fig. 02.1

1 Fig. 02.2

▽ Input

▽ Output

▽ Serial and Encoded Communications

▽ Signal Ground (SG)

VARIANT: All Vehicles
 VIN RANGE: 746613 →
 DATE OF ISSUE: NOVEMBER 1995

CONTROL MODULE PIN OUT INFORMATION

DIMMER

Pin	Description	Active	Inactive
0 SC1-1	ILLUMINATION SUPPLY	B+	GROUND
1 SC1-2	SIDE LAMPS ON	0.6 V	B+
0 SC1-7	ILLUMINATION SUPPLY	B+	GROUND
SG G	DIMMER POTENTIOMETER GROUND	1.27V = DIM, 1.46V = BRIGHT	
I Y	DIMMER POTENTIOMETER FEEDBACK VOLTAGE	1.27V = DIM, 4.10V = BRIGHT	
O U	DIMMER POTENTIOMETER REFERENCE VOLTAGE	3.91V = DIM, 4.10V = BRIGHT	

Fig. 10.2

COMPONENTS

Component	Connector / Type / Color	Location / Access
AIR CONDITIONING CONTROL MODULE	CC28 / 28-WAY MULTILOCK 47 / SLATE CC29 / 16-WAY MULTILOCK 47 / SLATE CC30 / 12-WAY MULTILOCK 47 / SLATE CC31 / 22-WAY MULTILOCK 47 / SLATE	A/C UNIT, RH SIDE / RH UNDERSCUTTLE
AIR CONDITIONING CONTROL PANEL	CC2 (FLY LEAD) / 12-WAY MULTILOCK 040 / BLUE	CENTER CONSOLE
CENTER CONSOLE SWITCH PACK	CC1 / 16-WAY MULTILOCK 040 / BLACK	CENTER CONSOLE
CIGAR LIGHTER - FRONT	CC9 / 2-WAY SERIES 250 / BLACK CC10 / LUCAR / BLACK	CENTER CONSOLE
CIGAR LIGHTER - REAR	CC16 / 2-WAY SERIES 250 / BLACK CC17 / LUCAR / BLACK	CENTER CONSOLE
DIMMER MODULE (COLUMN SWITCHGEAR)	SC1 / 8-WAY MULTILOCK 040 / WHITE	STEERING COLUMN / COVER
DIMMER CONTROL (COLUMN SWITCHGEAR)	NO CODE / 6-WAY MULTILOCK 040 / NO COLOR	STEERING COLUMN / COVER
DOOR SWITCH PACK - DRIVER	DD1 / 12-WAY MULTILOCK 47 / WHITE DD2 / 22-WAY MULTILOCK 47 / WHITE	ARM REST / TOP ROLL
DOOR SWITCH PACK - LH REAR	RD1-L / 12-WAY MULTILOCK 070 / WHITE	DOOR CASING
DOOR SWITCH PACK - PASSENGER	PD1 / 26-WAY MULTILOCK 47 / SLATE	ARM REST / TOP ROLL
DOOR SWITCH PACK - RH REAR	RD1-R / 12-WAY MULTILOCK 070 / WHITE	DOOR CASING
FASCIA SWITCH PACK	FC18 / 16-WAY MULTILOCK 040 / BLACK	STEERING COLUMN / DRIVER'S UNDERSCUTTLE
INSTRUMENT PACK	FC9 / 24-WAY IDC / BLACK FC10 / 48-WAY IDC / BLACK	INSTRUMENT PACK
INTERIOR / MAP LAMPS CONSOLE	CAB3 / 8-WAY MULTILOCK / BLACK	ROOF CONSOLE
LIGHTING SWITCHES	FC12 / 16-WAY MULTILOCK 040 / BLUE	FASCIA SWITCH PACK
RADIO	IC1 / 20-WAY MULTILOCK 070 / WHITE	CENTER CONSOLE

HARNESS-TO-HARNESS CONNECTORS

Connector	Type / Color	Location / Access
CA9	20-WAY MULTILOCK 040 / BLACK	DRIVER'S 'A' POST / 'A' POST TRIM
CA10	8-WAY MULTILOCK 070 / WHITE	DRIVER'S 'A' POST / 'A' POST TRIM
CA11	20-WAY MULTILOCK 040 / BLACK	PASSENGER'S UNDERSCUTTLE / ECM
CA12	15-WAY MULTILOCK 070 / WHITE	PASSENGER'S UNDERSCUTTLE / ECM
CA13	12-WAY MULTILOCK 040 / BLACK	LH 'BC' POST / 'BC' POST PANEL
CA14	2-WAY MULTILOCK 070 / WHITE	LH 'BC' POST / 'BC' POST PANEL
CA15	12-WAY MULTILOCK 040 / BLACK	RH 'BC' POST / 'BC' POST PANEL
CA16	2-WAY MULTILOCK 040 / WHITE	RH 'BC' POST / 'BC' POST PANEL
CC18	20-WAY MULTILOCK 040 / BLUE	CENTER CONSOLE / CENTER CONSOLE GLOVE BOX
FC4	20-WAY MULTILOCK 040 / BLUE	DRIVER'S UNDERSCUTTLE
FC7	THROUGH-PANEL (48 MICRO / 6) / BLACK	PASSENGER'S UNDERSCUTTLE
IC7	8-WAY MULTILOCK 070 / WHITE	PASSENGER'S UNDERSCUTTLE

GROUNDS

Ground	Location / Type
CAG30L	LH 'A' POST GROUND SCREW
CAG31R	PARCEL SHELF GROUND SCREW
CAG33R	RH HEELBOARD GROUND SCREW
CAG92L	RH HEELBOARD GROUND SCREW
CAG92R	RH HEELBOARD GROUND SCREW
CCG49R	RH CONSOLE GROUND STUD
CCG50L	CENTER CONSOLE GROUND
CCG50R	CENTER CONSOLE GROUND
CCG51L	CENTER CONSOLE GROUND STUD
FCG15L	LH CONSOLE GROUND STUD
FCG28R	LH CONSOLE GROUND STUD
ICG24	RADIO GROUND STUD

CONTROL MODULE PIN OUT INFORMATION (FOLD OUT PAGE)



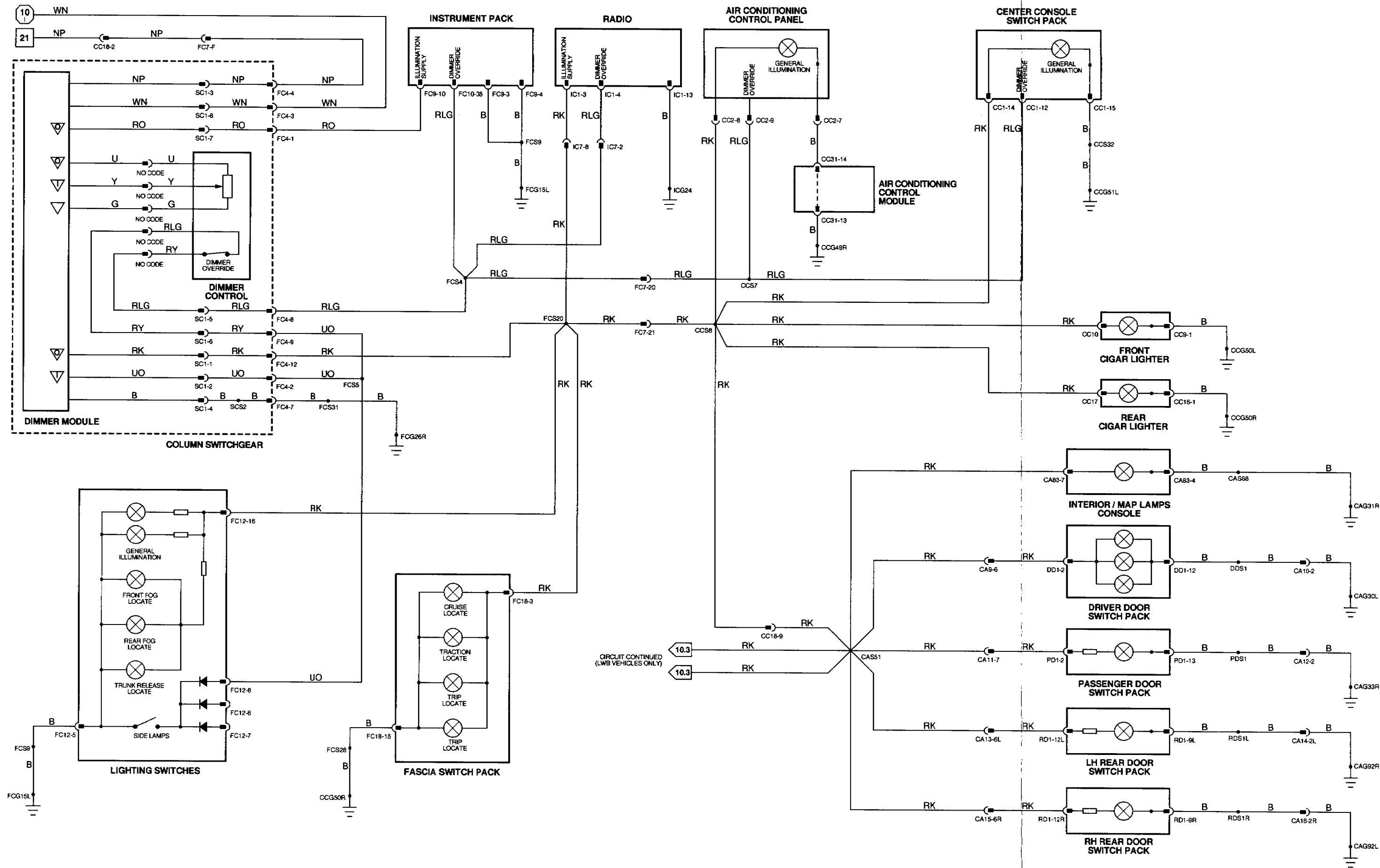
The following symbols are used to represent values for Control Module Pin Out data:

I	Input	B+	Battery voltage
O	Output	V	Voltage (DC)
SG	Signal Ground	Hz	Frequency
D	Serial and encoded communications	KHz	Frequency x 1000
		MS	Milliseconds
		MV	Millivolts

CAUTION: The information on this data page is furnished to aid the user in understanding circuit operation. THIS INFORMATION SHOULD BE USED FOR REFERENCE ONLY.

NOTE: The values listed are approximately those that can be expected at the control module connector pins with all circuit connections made and all components connected and fitted. "Active" means a load is applied or a switch is ON; "Inactive" means a load is not applied or a switch is OFF.

REFER TO THE FRONT OF THE BOOK FOR ILLUSTRATIONS DETAILING THE LOCATION AND IDENTIFICATION OF COMPONENTS, RELAYS, CONNECTORS, HARNESES, GROUNDS, VEHICLE CONTROL MODULES AND CONTROL MODULE PINS.



CONTROL MODULE PIN OUT INFORMATION

DIMMER

Pin	Description	Active	Inactive
0 SC1-1	ILLUMINATION SUPPLY	B+	GROUND
I SC1-2	SIDE LAMPS ON	0.6 V	B+
O SC1-7	ILLUMINATION SUPPLY	B+	GROUND
SG G	DIMMER POTENTIOMETER GROUND	1.27V = DIM, 1.46V = BRIGHT	
I Y	DIMMER POTENTIOMETER FEEDBACK VOLTAGE	1.27V = DIM, 4.10V = BRIGHT	
O U	DIMMER POTENTIOMETER REFERENCE VOLTAGE	3.91V = DIM, 4.10V = BRIGHT	

The following symbols are used to represent values for Control Module Pin Out data:

I Input	B+ Battery voltage
O Output	V Voltage (DC)
SG Signal Ground	Hz Frequency
D Serial and encoded communications	KHz Frequency x 1000
	MS Milliseconds
	MV Millivolts

CAUTION: The information on this data page is furnished to aid the user in understanding circuit operation. THIS INFORMATION SHOULD BE USED FOR REFERENCE ONLY.

NOTE: The values listed are approximately those that can be expected at the control module connector pins with all circuit connections made and all components connected and fitted. "Active" means a load is applied or a switch is ON; "Inactive" means a load is not applied or a switch is OFF.

Fig. 10.3

COMPONENTS

Component	Connector / Type / Color	Location / Access
AIR CONDITIONING CONTROL MODULE	CC28 / 28-WAY MULTILOCK 47 / SLATE CC29 / 16-WAY MULTILOCK 47 / SLATE CC30 / 12-WAY MULTILOCK 47 / SLATE CC31 / 22-WAY MULTILOCK 47 / SLATE	A/C UNIT, RH SIDE / RH UNDERSCUTTLE
AIR CONDITIONING CONTROL PANEL CENTER CONSOLE SWITCH PACK CIGAR LIGHTER - FRONT	CC2 (FLY LEAD) / 12-WAY MULTILOCK 040 / BLUE CC1 / 16-WAY MULTILOCK 040 / BLACK CC5 / 2-WAY SERIES 250 / BLACK CC10 / LUCAR / BLACK	CENTER CONSOLE CENTER CONSOLE CENTER CONSOLE
CIGAR LIGHTER - REAR	CC16 / 2-WAY SERIES 250 / BLACK CC17 / LUCAR / BLACK	CENTER CONSOLE
DIMMER MODULE (COLUMN SWITCHGEAR) DIMMER CONTROL (COLUMN SWITCHGEAR) DOOR SWITCH PACK - DRIVER	SC1 / 8-WAY MULTILOCK 040 / WHITE NO CODE / 6-WAY MULTILOCK 040 / NO COLOR DD1 / 12-WAY MULTILOCK 47 / WHITE DD2 / 22-WAY MULTILOCK 47 / WHITE	STEERING COLUMN / COVER STEERING COLUMN / COVER ARM REST / TOP ROLL
DOOR SWITCH PACK - LH REAR DOOR SWITCH PACK - PASSENGER DOOR SWITCH PACK - RH REAR FASCIA SWITCH PACK INSTRUMENT PACK	RD1-L / 12-WAY MULTILOCK 070 / WHITE PD1 / 26-WAY MULTILOCK 47 / SLATE RD1-R / 12-WAY MULTILOCK 070 / WHITE FC18 / 16-WAY MULTILOCK 040 / BLACK FC9 / 24-WAY IDC / BLACK FC10 / 48-WAY IDC / BLACK	DOOR CASING ARM REST / TOP ROLL DOOR CASING STEERING COLUMN / DRIVER'S UNDERSCUTTLE INSTRUMENT PACK
INTERIOR / MAP LAMPS CONSOLE LIGHTING SWITCHES RADIO SEAT CONTROL MODULE - PASSENGER (NAS VEHICLES)	CA83 / 8-WAY MULTILOCK / BLACK FC12 / 16-WAY MULTILOCK 040 / BLUE IC1 / 20-WAY MULTILOCK 070 / WHITE CA107 / 22-WAY MULTILOCK 47 / WHITE CA108 / 12-WAY MULTILOCK 47 / WHITE SM1-P / 12-WAY MULTILOCK 47 / BLUE SM6-P / 16-WAY MULTILOCK 040 / BLACK	ROOF CONSOLE FASCIA SWITCH PACK CENTER CONSOLE PASSENGER'S SEAT
SEAT CONTROL MODULE - PASSENGER (ROW, MEMORY SEAT VEHICLES)	PL1 / 22-WAY MULTILOCK 47 / WHITE PL2 / 12-WAY MULTILOCK 47 / WHITE SM1-P / 12-WAY MULTILOCK 47 / BLUE SM6-P / 16-WAY MULTILOCK 040 / BLACK	PASSENGER'S SEAT
SEAT FORE/AFT SWITCH - LH REAR SEAT FORE/AFT SWITCH - RH REAR SEAT FORE/AFT SWITCHES - PASSENGER, REAR SEAT HEADREST SWITCH - LH REAR SEAT HEADREST SWITCH - RH REAR SEAT HEATER SWITCH - LH REAR SEAT HEATER SWITCH - RH REAR SEAT LUMBAR SWITCH - LH REAR SEAT LUMBAR SWITCH - RH REAR SEAT RECLINE SWITCHES - PASSENGER, REAR	BC3 / 10-WAY AMP MLQ / BLACK BC5 / 10-WAY AMP MLQ / BLACK SM19 / 10-WAY AMP MQL / BLACK BC4 / 10-WAY AMP MLQ / BLACK BC7 / 10-WAY AMP MLQ / BLACK BC1 / 10-WAY AMP MLQ / BLACK BC2 / 10-WAY AMP MLQ / BLACK BC8 / 10-WAY AMP MLQ / BLACK BC6 / 10-WAY AMP MLQ / BLACK SM20 / 10-WAY AMP MQL / NATURAL	REAR SEAT SWITCH PACK / UNDER REAR SEAT SWITCH PACK / UNDER FRONT LOWER SEAT / INSIDE REAR SEAT SWITCH PACK / UNDER REAR SEAT SWITCH PACK / UNDER CENTER CONSOLE / REAR CENTER CONSOLE / REAR REAR SEAT SWITCH PACK / UNDER REAR SEAT SWITCH PACK / UNDER FRONT LOWER SEAT / INSIDE

HARNESSTO-HARNESSTO CONNECTORS

Connector	Type / Color	Location / Access
BS4	20-WAY MULTILOCK 070 / WHITE	REAR SEAT CONSOLE / UNDER
CA9	20-WAY MULTILOCK 340 / BLACK	DRIVER'S 'A' POST / 'A' POST TRIM
CA10	8-WAY MULTILOCK 070 / WHITE	DRIVER'S 'A' POST / 'A' POST TRIM
CA11	20-WAY MULTILOCK 340 / BLACK	PASSENGER'S UNDERSCUTTLE / ECM
CA12	15-WAY MULTILOCK 370 / WHITE	PASSENGER'S UNDERSCUTTLE / ECM
CA13	12-WAY MULTILOCK 340 / BLACK	LH 'BC' POST / 'BC' POST PANEL
CA14	2-WAY MULTILOCK 070 / WHITE	LH 'BC' POST / 'BC' POST PANEL
CA15	12-WAY MULTILOCK 040 / BLACK	RH 'BC' POST / 'BC' POST PANEL
CA16	2-WAY MULTILOCK 040 / WHITE	RH 'BC' POST / 'BC' POST PANEL
CA27	6-WAY MULTILOCK 070 / WHITE	PASSENGER'S SEAT / UNDER
CA109	12-WAY MULTILOCK 070 / WHITE	RH REAR SEAT / UNDER
CC1E	20-WAY MULTILOCK 040 / BLUE	CENTER CONSOLE / CENTER CONSOLE GLOVE BOX
FC4	20-WAY MULTILOCK 040 / BLUE	DRIVER'S UNDERSCUTTLE
FC7	THROUGH-PANEL (48 MICRO / 6) / BLACK	PASSENGER'S UNDERSCUTTLE
IC7	8-WAY MULTILOCK 070 / WHITE	PASSENGER'S UNDERSCUTTLE

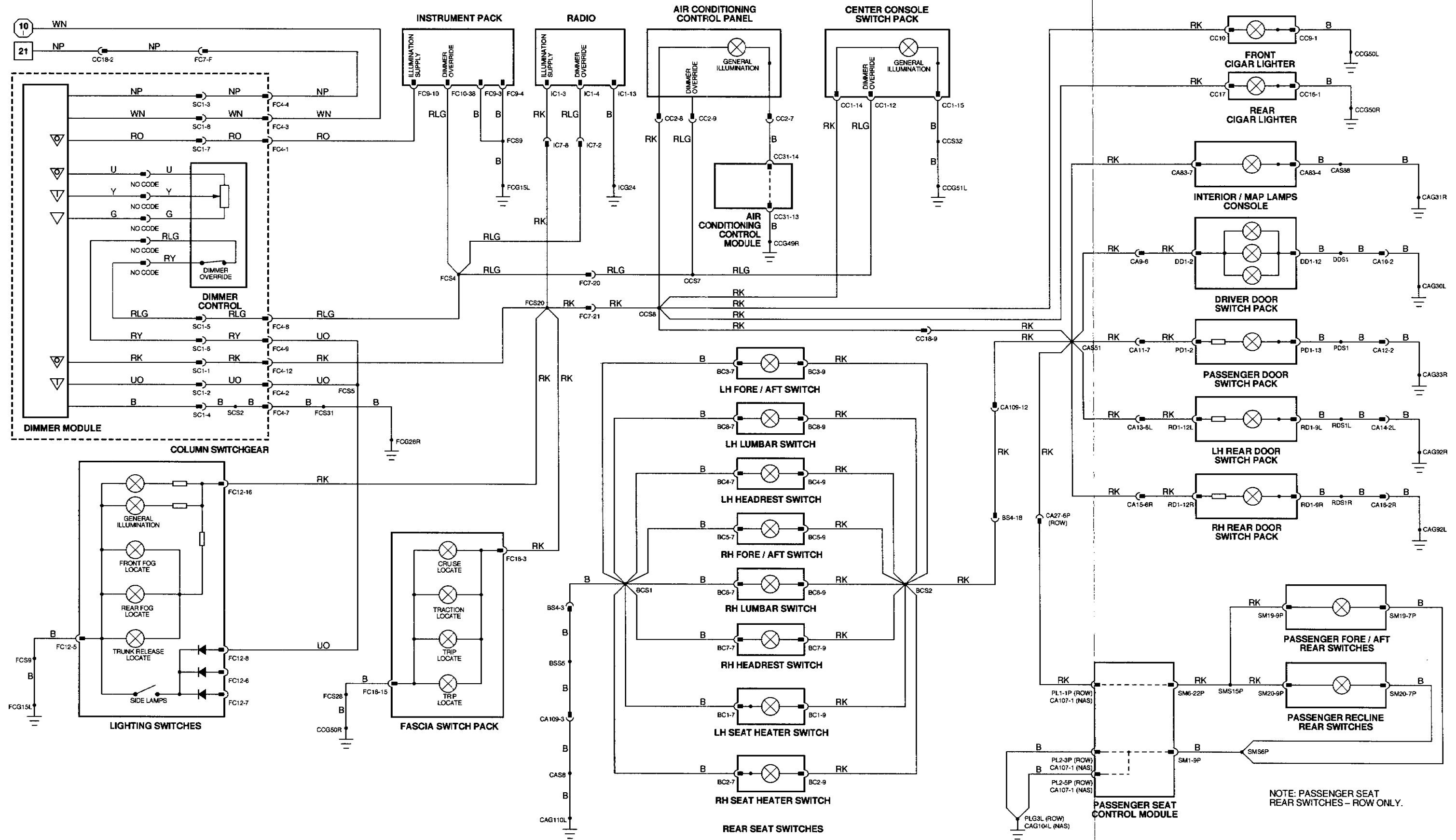
GROUNDS

Ground	Location / Type
CAG30L	LH 'A' POST GROUND SCREW
CAG31R	PARCEL SHELF GROUND SCREW
CAG33R	RH HEELBOARD GROUND SCREW
CAG92L	RH HEELBOARD GROUND SCREW
CAG92R	RH HEELBOARD GROUND SCREW
CAG104L	LH SEAT GROUND STUD
CAG110L	RH SEAT GROUND STUD
CCG49R	RH CONSOLE GROUND STUD
CCG50L	CENTER CONSOLE GROUND
CCG50R	CENTER CONSOLE GROUND
CCG51L	CENTER CONSOLE GROUND STUD
FCG15L	LH CONSOLE GROUND STUD
FCG26R	LH CONSOLE GROUND STUD
ICG24	RADIO GROUND STUD
PLG3L	LH SEAT GROUND SCREW

CONTROL MODULE PIN OUT INFORMATION (FOLD OUT PAGE)



REFER TO THE FRONT OF THE BOOK FOR ILLUSTRATIONS DETAILING THE LOCATION AND IDENTIFICATION OF COMPONENTS, RELAYS, CONNECTORS, HARNESSES, GROUNDS, VEHICLE CONTROL MODULES AND CONTROL MODULE PINS.



NOTE: REAR SEAT HEATER SWITCH LOCATE ILLUMINATION - POWERED REAR SEAT VEHICLES ONLY.

NOTE: PASSENGER SEAT REAR SWITCHES - ROW ONLY.

CONTROL MODULE PIN OUT INFORMATION

INSTRUMENT PACK

Pin	Description	Active	Inactive
D FC9-13	SERIAL COMMUNICATION INPUT		
D FC9-14	SERIAL COMMUNICATION OUTPUT		
I FC9-15	VEHICLE SPEED INPUT		
I FC9-19	COOLANT TEMPERATURE INDICATOR LAMP	B+ @ 10 MPH = 200 Hz, 20 MPH = 400 Hz	
I FC9-20	FUEL LEVEL	GROUND	B+
I FC9-21	ENGINE OIL PRESSURE	GROUND = FULL	B+ = EMPTY
O FC9-22	ENGINE COOLANT TEMPERATURE	GROUND = MAXIMUM PRESSURE	B+ = MINIMUM PRESSURE
I FC9-24	TACHOMETER	2.5 V @ 90° C, INCREASING WITH TEMPERATURE INCREASE	
		GROUND PULSE @ 1000 RPM = 15 Hz	
O FC10-2	VEHICLE SPEED SIGNAL	B+ @ 10 MPH (16 KPH) = 20 Hz, 20 MPH (32 KPH) = 40 Hz	
O FC10-3	VEHICLE SPEED SIGNAL	GROUND @ 10 MPH (16 KPH) = 20 Hz, 20 MPH (32 KPH) = 40 Hz	
I FC10-4	TRIP STALK CYCLE	GROUND	B+
I FC10-9	GENERATOR INDICATOR VOLTAGE	< 10.4 V OR > 15.6 V	10.5-15.5 V
I FC10-12	TRIP RESET	GROUND	B+
I FC10-14	TRANSMISSION SPORT MODE	GROUND = SPORT	B+
I FC10-17	PARK BRAKE ON	GROUND	B+
I FC10-24	MAIN BEAM	GROUND	B+
I FC10-35	TRACTION CONTROL STATUS	B+	FAILURE = GROUND TRACTION OFF = 4 Hz GROUND PULSE
I FC10-36	TRIP CLEAR	GROUND	B+
I FC10-40	LH DI ON	GROUND PULSE	B+
I FC10-41	RH DI ON	GROUND PULSE	B+
I FC10-42	MPH / KPH	GROUND	B+

Fig. 11.1

COMPONENTS

Component	Connector / Type / Color	Location / Access
COOLANT TEMPERATURE SENSOR	PI140 / LUCAR / BLACK	ENGINE THERMOSTAT HOUSING
FASCIA SWITCH PACK	FC18 / 16-WAY MULTILOCK 040 / BLACK	STEERING COLUMN / DRIVER'S UNDERSCUTTLE
FUEL LEVEL SENSOR	BT32; BT33 / LUCAR / WHITE	FUEL TANK / FUEL TANK TRIM
HAND BRAKE SWITCH	CC52 / 2-WAY MULTILOCK 040 / BLACK	CENTER CONSOLE, LH SIDE
INSTRUMENT PACK	FC9 / 24-WAY IDC / BLACK FC10 / 48-WAY IDC / BLACK	INSTRUMENT PACK
OIL PRESSURE SWITCH	PI139 / LUCAR / BLACK	ENGINE BLOCK, LH SIDE (AJ16); ENGINE VEE, REAR (V12)
TRIP CYCLE (COLUMN SWITCHGEAR)	SC3 / 8-WAY MULTILOCK 070 / WHITE	STEERING COLUMN / COVER

HARNESS-TO-HARNESS CONNECTORS

Connector	Type / Color	Location / Access
BT4	THROUGH-PANEL (48 MICRO / 6) / BLACK	ABOVE FUEL TANK / FUEL TANK TRIM
CC5	20-WAY MULTILOCK 040 / GREEN	CENTER CONSOLE / CENTER CONSOLE GLOVE BOX
FC4	20-WAY MULTILOCK 040 / BLUE	DRIVER'S UNDERSCUTTLE
FC5	THROUGH-PANEL (48 MICRO / 6) / BLACK	LH FASCIA END PANEL / OUTER AIR VENT
FC6	THROUGH-PANEL (48 MICRO / 6) / BLACK	RH FASCIA END PANEL / OUTER AIR VENT
FC7	THROUGH-PANEL (48 MICRO / 6) / BLACK	PASSENGER'S UNDERSCUTTLE
FC16	20-WAY MULTILOCK 040 / BLACK	PASSENGER'S UNDERSCUTTLE
IC7	8-WAY MULTILOCK 070 / WHITE	PASSENGER'S UNDERSCUTTLE
PI1	13-WAY ECONOSEAL III LC / WHITE	REARWARD OF RH HEADLAMP
PI61	13-WAY ECONOSEAL III LC / BLACK	REARWARD OF RH HEADLAMP
PI63	20-WAY MULTILOCK 040 / BLACK	RH 'A' POST / 'A' POST TRIM
RS3	THROUGH-PANEL (48 MICRO / 6) / BROWN	RH 'A' POST / 'A' POST PANEL

GROUNDS

Ground	Location / Type
BTG48R	REAR TRUNK GROUND STUD
FCG15L	LH CONSOLE GROUND STUD
FCG28L	LH CONSOLE GROUND STUD

CONTROL MODULE PIN OUT INFORMATION (FOLD OUT PAGE)



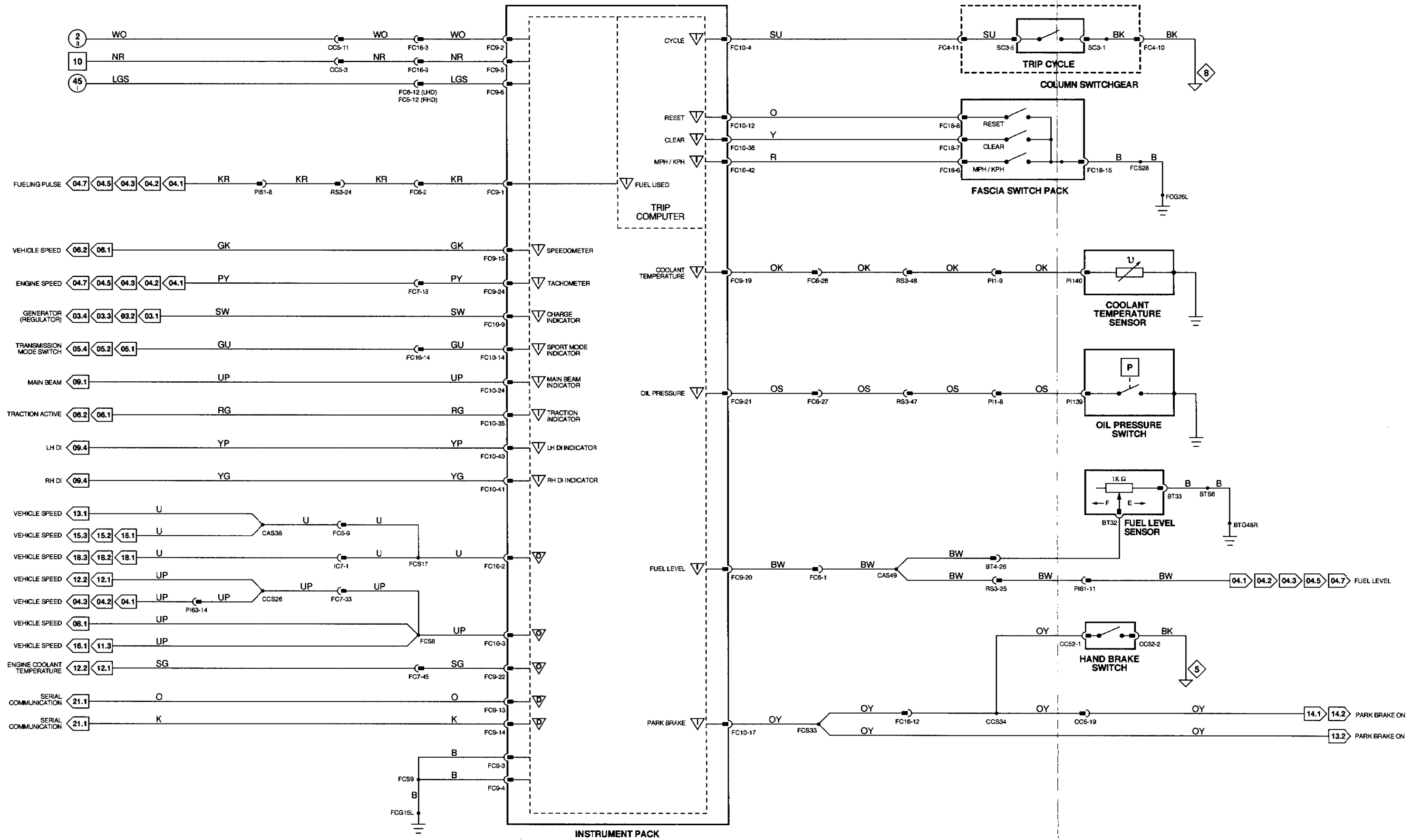
The following symbols are used to represent values for Control Module Pin Out data:

I	Input	B+	Battery voltage
O	Output	V	Voltage (DC)
SG	Signal Ground	Hz	Frequency
D	Serial and encoded communications	KHz	Frequency x 1000
		MS	Milliseconds
		MV	Millivolts

CAUTION: The information on this data page is furnished to aid the user in understanding circuit operation. THIS INFORMATION SHOULD BE USED FOR REFERENCE ONLY.

NOTE: The values listed are approximately those that can be expected at the control module connector pins with all circuit connections made and all components connected and fitted. "Active" means a load is applied or a switch is ON; "Inactive" means a load is not applied or a switch is OFF.

REFER TO THE FRONT OF THE BOOK FOR ILLUSTRATIONS DETAILING THE LOCATION AND IDENTIFICATION OF COMPONENTS, RELAYS, CONNECTORS, HARNESES, GROUNDS, VEHICLE CONTROL MODULES AND CONTROL MODULE PINS.



CONTROL MODULE PIN OUT INFORMATION

BODY PROCESSOR MODULE

Pin	Description	Active	Inactive
O FC1-26	SEAT BELT WARNING LAMP	GROUND	B+
I FC2-24	SEAT BELT WARNING LAMP	GROUND	B+

DRIVER SEAT CONTROL MODULE (NAS)

Pin	Description	Active	Inactive
O CA106-20	SEAT BELT WARNING	GROUND	B+
I SM6-21D	SEAT BELT FASTENED	GROUND	B+

DRIVER SEAT CONTROL MODULE (ROW)

Pin	Description	Active	Inactive
O PL1-20D	SEAT BELT WARNING	GROUND	B+
I SM6-21D	SEAT BELT FASTENED	GROUND	B+

INSTRUMENT PACK

Pin	Description	Active	Inactive
I FC9-7	ANTI-LOCK FAILURE	< 5 V OR > 11.9 V	5.1 - 11.8 V
D FC9-13	SERIAL COMMUNICATION INPUT		
D FC9-14	SERIAL COMMUNICATION OUTPUT		
I FC10-10	BRAKE FLUID LEVEL	GROUND	B+
I FC10-13	WASHER FLUID LEVEL	GROUND	B+
I FC10-15	SEAT BELT WARNING	GROUND	B+
I FC10-16	TRUNK AJAR	GROUND	7.9 V
I FC10-18	DI BULB FAILURE	GROUND	B+
I FC10-22	CHECK ENGINE MIL	GROUND	B+
I FC10-23	EXHAUST TEMPERATURE (JAPAN ONLY)	GROUND	B+
I FC10-37	COOLANT LEVEL	GROUND	B+
I FC10-43	GENERAL BULB FAIL	GROUND	B+
I FC10-44	TRANSMISSION MIL	GROUND	B+
I FC10-45	AIR BAG FAILURE	GROUND	B+
I FC10-46	DRIVER DOOR AJAR	GROUND	7.9 V
I FC10-47	PASSENGER DOOR AJAR	GROUND	7.9 V

The following symbols are used to represent values for Control Module Pin Out data:

I Input	B+ Battery voltage
O Output	V Voltage (DC)
SG Signal Ground	Hz Frequency
D Serial and encoded communications	KHz Frequency x 1000
	MS Milliseconds
	MV Millivolts

CAUTION: The information on this data page is furnished to aid the user in understanding circuit operation. THIS INFORMATION SHOULD BE USED FOR REFERENCE ONLY.

NOTE: The values listed are approximately those that can be expected at the control module connector pins with all circuit connections made and all components connected and fitted. "Active" means a load is applied or a switch is ON; "Inactive" means a load is not applied or a switch is OFF.

Fig. 11.2

COMPONENTS

Component	Connector / Type / Color	Location / Access
BODY PROCESSOR MODULE	FC1 / 48-WAY PCB SIGNAL / YELLOW FC2 / 48-WAY PCB SIGNAL / BLACK FC3 / 6-WAY PCB SIGNAL / BLACK	PASSENGER'S UNDERSCUTTLE
BRAKE FLUID LEVEL SWITCH (LHD)	LS28 / 2-WAY JUNIOR TIMER / BLACK	BRAKE FLUID RESERVOIR
BRAKE FLUID LEVEL SWITCH (RHD)	RS36 / 2-WAY JUNIOR TIMER / BLACK	BRAKE FLUID RESERVOIR
COOLANT LEVEL SWITCH	LS33 / 2-WAY JUNIOR TIMER / BROWN	COOLANT RESERVOIR
DOOR SWITCH PACK - LH REAR	RD1-L / 12-WAY MULTILOCK 070 / WHITE	DOOR CASING
DOOR SWITCH PACK - PASSENGER	PD1 / 26-WAY MULTILOCK 47 / SLATE	ARM REST / TOP ROLL
DOOR SWITCH PACK - RH REAR	RD1-R / 12-WAY MULTILOCK 070 / WHITE	DOOR CASING
DOOR SWITCH - DRIVER	DD3 / 13-WAY ECONOSEAL III LC / BLACK	DOOR CASING
DOOR SWITCH - LH REAR	RD3-L / 6-WAY ECONOSEAL III LC / BLACK	DOOR CASING
DOOR SWITCH - PASSENGER	PD3 / 13-WAY ECONOSEAL III LC / BLACK	DOOR CASING
DOOR SWITCH - RH REAR	RD3-R / 6-WAY ECONOSEAL III LC / BLACK	DOOR CASING
INSTRUMENT PACK	FC9 / 24-WAY IDC / BLACK FC10 / 48-WAY IDC / BLACK	INSTRUMENT PACK
SEAT BELT SWITCH	SM8 / 2-WAY MULTILOCK 040 / BLACK	DRIVER'S SEAT / UNDER
SEAT CONTROL MODULE - DRIVER (NAS VEHICLES)	CA105 / 22-WAY MULTILOCK 47 / BLUE CA106 / 12-WAY MULTILOCK 47 / BLUE SM1-D / 12-WAY MULTILOCK 47 / WHITE SM6-D / 22-WAY MULTILOCK 47 / WHITE	DRIVER'S SEAT
SEAT CONTROL MODULE - DRIVER (ROW, MEMORY SEAT VEHICLES)	PL1 / 22-WAY MULTILOCK 47 / BLUE PL2 / 12-WAY MULTILOCK 47 / BLUE SM1-D / 12-WAY MULTILOCK 47 / WHITE SM6-D / 22-WAY MULTILOCK 47 / WHITE	DRIVER'S SEAT
TRUNK SWITCH	BT15 / 2-WAY FORD DIAGNOSTIC / BLACK	TRUNK LID / TRUNK LID TRIM
WASHER FLUID LEVEL SWITCH	RS18 / 2-WAY ECONOSEAL III LC / RED	WASHER FLUID RESERVOIR

HARNESS-TO-HARNESS CONNECTORS

Connector	Type / Color	Location / Access
BT4	THROUGH-PANEL (48 MICRO / 6) / BLACK	ABOVE FUEL TANK / FUEL TANK TRIM
CA9	20-WAY MULTILOCK 040 / BLACK	DRIVER'S 'A' POST / 'A' POST TRIM
CA10	8-WAY MULTILOCK 070 / WHITE	DRIVER'S 'A' POST / 'A' POST TRIM
CA11	20-WAY MULTILOCK 040 / BLACK	PASSENGER'S 'A' POST / 'A' POST TRIM
CA12	15-WAY MULTILOCK 070 / WHITE	PASSENGER'S UNDERSCUTTLE / ECM
CA13	12-WAY MULTILOCK 040 / BLACK	LH 'BC' POST / 'BC' POST PANEL
CA14	2-WAY MULTILOCK 070 / WHITE	LH 'BC' POST / 'BC' POST PANEL
CA15	12-WAY MULTILOCK 040 / BLACK	RH 'BC' POST / 'BC' POST PANEL
CA16	2-WAY MULTILOCK 040 / WHITE	RH 'BC' POST / 'BC' POST PANEL
CA23	20-WAY MULTILOCK 040 / BLACK	DRIVER'S SEAT / UNDER
CA25	3-WAY MULTILOCK 070 / YELLOW	RH 'A' POST, ECM / 'A' POST PANEL
CC5	20-WAY MULTILOCK 040 / GREEN	CENTER CONSOLE / CENTER CONSOLE GLOVE BOX
CC16	20-WAY MULTILOCK 040 / BLUE	CENTER CONSOLE / CENTER CONSOLE GLOVE BOX
FC5	THROUGH-PANEL (48 MICRO / 6) / BLACK	LH FASCIA END PANEL / OUTER AIR VENT
FC6	THROUGH-PANEL (48 MICRO / 6) / BLACK	RH FASCIA END PANEL / OUTER AIR VENT
FC7	THROUGH-PANEL (48 MICRO / 6) / BLACK	PASSENGER'S UNDERSCUTTLE
FC16	20-WAY MULTILOCK 040 / BLACK	PASSENGER'S UNDERSCUTTLE
LS3	THROUGH-PANEL (48 MICRO / 6) / BLACK	LH 'A' POST / 'A' POST PANEL
ML1-D	10-WAY MULTILOCK 070 / WHITE	DRIVER'S SEAT / UNDER
PI61	13-WAY ECONOSEAL III LC / BLACK	REARWARD OF RH HEADLAMP
PI63	20-WAY MULTILOCK 040 / BLACK	RH 'A' POST / 'A' POST TRIM
RS3	THROUGH-PANEL (48 MICRO / 6) / BROWN	RH 'A' POST / 'A' POST PANEL

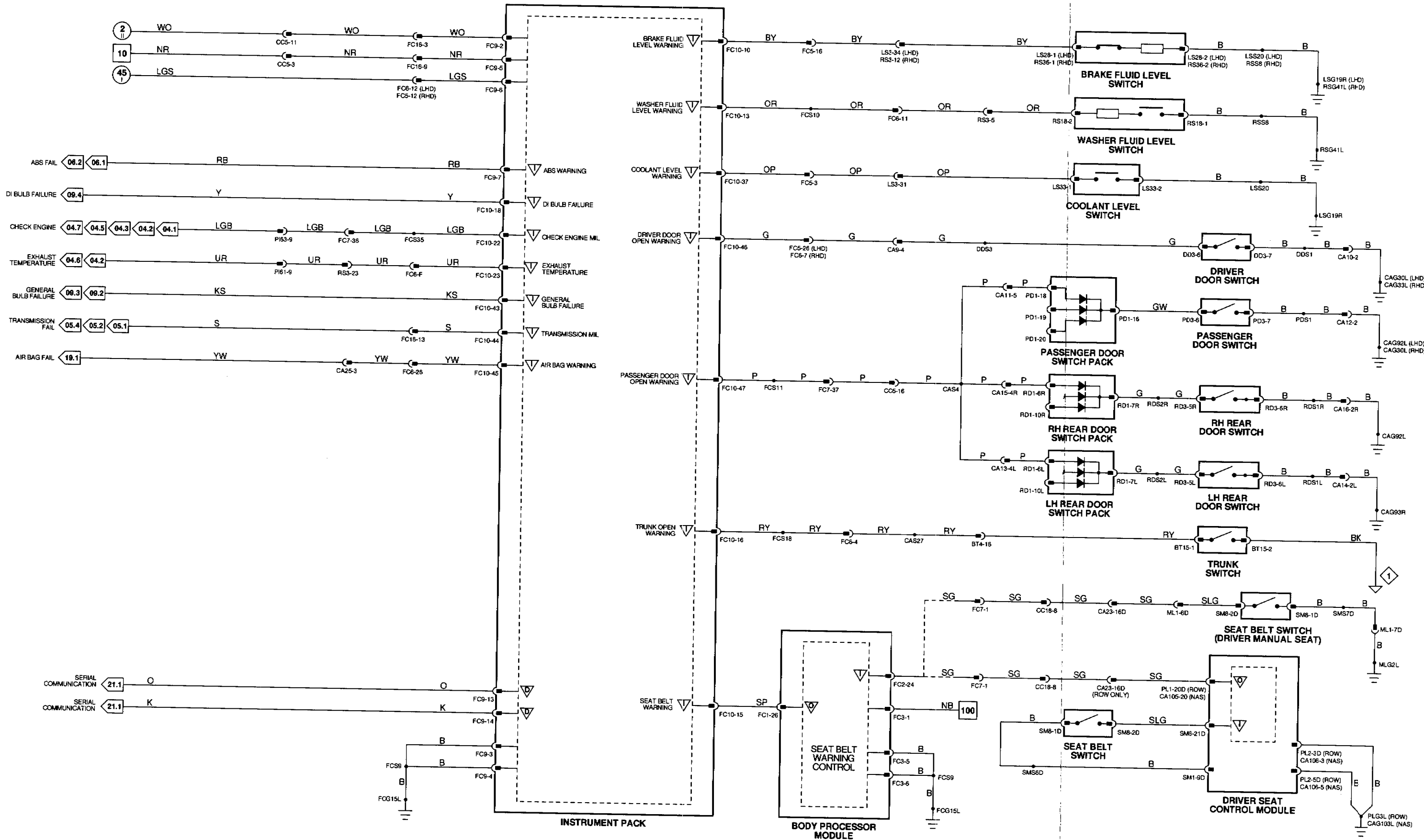
GROUNDS

Ground	Location / Type
CAG30L	LH 'A' POST GROUND SCREW
CAG33L	RH HEELBOARD GROUND SCREW
CAG32L	RH HEELBOARD GROUND SCREW
CAG33R	LH HEELBOARD GROUND SCREW
CAG103L	LH SEAT GROUND STUD
FCG15L	LH CONSOLE GROUND STUD
LSG19R	LH BULKHEAD GROUND STUD
MLG2L	LH SEAT GROUND SCREW
PLG3L	LH SEAT GROUND SCREW
RSG41L	RIGHT FORWARD GROUND

CONTROL MODULE PIN OUT INFORMATION (FOLD OUT PAGE)



REFER TO THE FRONT OF THE BOOK FOR ILLUSTRATIONS DETAILING THE LOCATION AND IDENTIFICATION OF COMPONENTS, RELAYS, CONNECTORS, HARNESES, GROUNDS, VEHICLE CONTROL MODULES AND CONTROL MODULE PINS.



CONTROL MODULE PIN OUT INFORMATION

BODY PROCESSOR MODULE

Pin	Description	Active	Inactive
O FC1-21	AUDIBLE TONE SPEAKER		
O FC1-22	AUDIBLE TONE SPEAKER		
I FC2-3	SIDE LAMPS ON	GROUND	B+
I FC2-4	VEHICLE SPEED SENSOR	GROUND PULSE @ 10 MPH (16 KPH) = 20 Hz, 20 MPH (32 KPH) = 40 Hz	
I FC2-16	NOT IN PARK MICRO SWITCH	GROUND	B+
I FC2-18	RH DI REQUEST	GROUND	B+
I FC2-24	SEAT BELT WARNING LAMP	GROUND	B+
I FC2-25	SEAT MEMORY AUDIBLE WARNING	GROUND	B+
I FC2-27	HAZARD LAMPS REQUEST	GROUND	B+
I FC2-33	DRIVER DOOR AJAR	GROUND	B+
I FC2-46	LH DI REQUEST	GROUND	B+
I FC2-48	KEY IN IGNITION SWITCH	GROUND	B+

DRIVER SEAT CONTROL MODULE (NAS)

Pin	Description	Active	Inactive
O CA105-20	SEAT BELT WARNING	GROUND	B+
I SM6-21D	SEAT BELT FASTENED	GROUND	B+

DRIVER SEAT CONTROL MODULE (ROW)

Pin	Description	Active	Inactive
O PL1-20D	SEAT BELT WARNING	GROUND	B+
I SM6-21D	SEAT BELT FASTENED	GROUND	B+

COMPONENTS

Component	Connector / Type / Color	Location / Access
BODY PROCESSOR MODULE	FC1 / 48-WAY PCB SIGNAL / YELLOW FC2 / 48-WAY PCB SIGNAL / BLACK FC3 / 6-WAY PCB SIGNAL / BLACK	PASSENGER'S UNDERSCUTTLE
CENTER CONSOLE SWITCH PACK	CC1 / 16-WAY MULTILOCK 040 / BLACK	CENTER CONSOLE
DIRECTION INDICATOR SWITCHES (COLUMN SWITCHGEAR)	SC3 / 6-WAY MULTILOCK 070 / WHITE	STEERING COLUMN / COVER
DOOR SWITCH - DRIVER	DD3 / 13-WAY ECONOSEAL III LC / BLACK	DOOR CASING
DOOR SWITCH PACK - DRIVER	DD1 / 12-WAY MULTILOCK 47 / WHITE DD2 / 22-WAY MULTILOCK 47 / WHITE	ARM REST / TOP ROLL
SEAT CONTROL MODULE - DRIVER (NAS VEHICLES)	CA105 / 22-WAY MULTILOCK 47 / BLUE CA106 / 12-WAY MULTILOCK 47 / BLUE SM1-D / 12-WAY MULTILOCK 47 / WHITE SM6-D / 22-WAY MULTILOCK 47 / WHITE	DRIVER'S SEAT
SEAT CONTROL MODULE - DRIVER (ROW, MEMORY SEAT VEHICLES)	PL1 / 22-WAY MULTILOCK 47 / BLUE PL2 / 12-WAY MULTILOCK 47 / BLUE SM1-D / 12-WAY MULTILOCK 47 / WHITE SM6-D / 22-WAY MULTILOCK 47 / WHITE	DRIVER'S SEAT
IGNITION SWITCH	FC54 (FLY LEAD) / 8-WAY MULTILOCK 070 / WHITE	STEERING COLUMN / COVER
LIGHTING SWITCHES	FC12 / 16-WAY MULTILOCK 040 / BLUE	FASCIA SWITCH PACK
NOT IN-PARK MICROSWITCH	CC42 (FLY LEAD) / 2-WAY MULTILOCK 040 / BLACK	'J' GATE / CENTER CONSOLE
SEAT BELT SWITCH	SM8 / 2-WAY MULTILOCK 040 / BLACK	DRIVER'S SEAT / UNDER
SPEAKER (COLUMN SWITCHGEAR)	SC4 / 3-WAY MULTILOCK 070 / WHITE	STEERING COLUMN / COVER

HARNESSTO-HARNESSTO CONNECTORS

Connector	Type / Color	Location / Access
CA6	20-WAY MULTILOCK 040 / GREEN	DRIVER'S 'A' POST / 'A' POST TRIM
CA10	8-WAY MULTILOCK 070 / WHITE	DRIVER'S 'A' POST / 'A' POST TRIM
CA23	20-WAY MULTILOCK 040 / BLACK	DRIVER'S SEAT / UNDER
CC3	20-WAY MULTILOCK 040 / BLACK	CENTER CONSOLE / CENTER CONSOLE GLOVE BOX
CC18	20-WAY MULTILOCK 040 / BLUE	CENTER CONSOLE / CENTER CONSOLE GLOVE BOX
FC4	20-WAY MULTILOCK 040 / BLUE	DRIVER'S UNDERSCUTTLE
FC5	THROUGH-PANEL (48 MICRO / 6) / BLACK	LH FASCIA END PANEL / OUTER AIR VENT
FC6	THROUGH-PANEL (48 MICRO / 6) / BLACK	RH FASCIA END PANEL / OUTER AIR VENT
FC7	THROUGH-PANEL (48 MICRO / 6) / BLACK	PASSENGER'S UNDERSCUTTLE
FC18	20-WAY MULTILOCK 040 / BLACK	PASSENGER'S UNDERSCUTTLE
ML1-D	10-WAY MULTILOCK 070 / WHITE	DRIVER'S SEAT / UNDER

GROUNDS

Ground	Location / Type
CAG30L	LH 'A' POST GROUND SCREW
CAG33L	RH HEELBOARD GROUND SCREW
CAG103L	LH SEAT GROUND STUD
CCG51L	CENTER CONSOLE GROUND STUD
FCG15L	LH CONSOLE GROUND STUD
FCG26R	LH CONSOLE GROUND STUD
MLG2L	LH SEAT GROUND SCREW
PLG3L	LH SEAT GROUND SCREW

CONTROL MODULE PIN OUT INFORMATION (FOLD OUT PAGE)



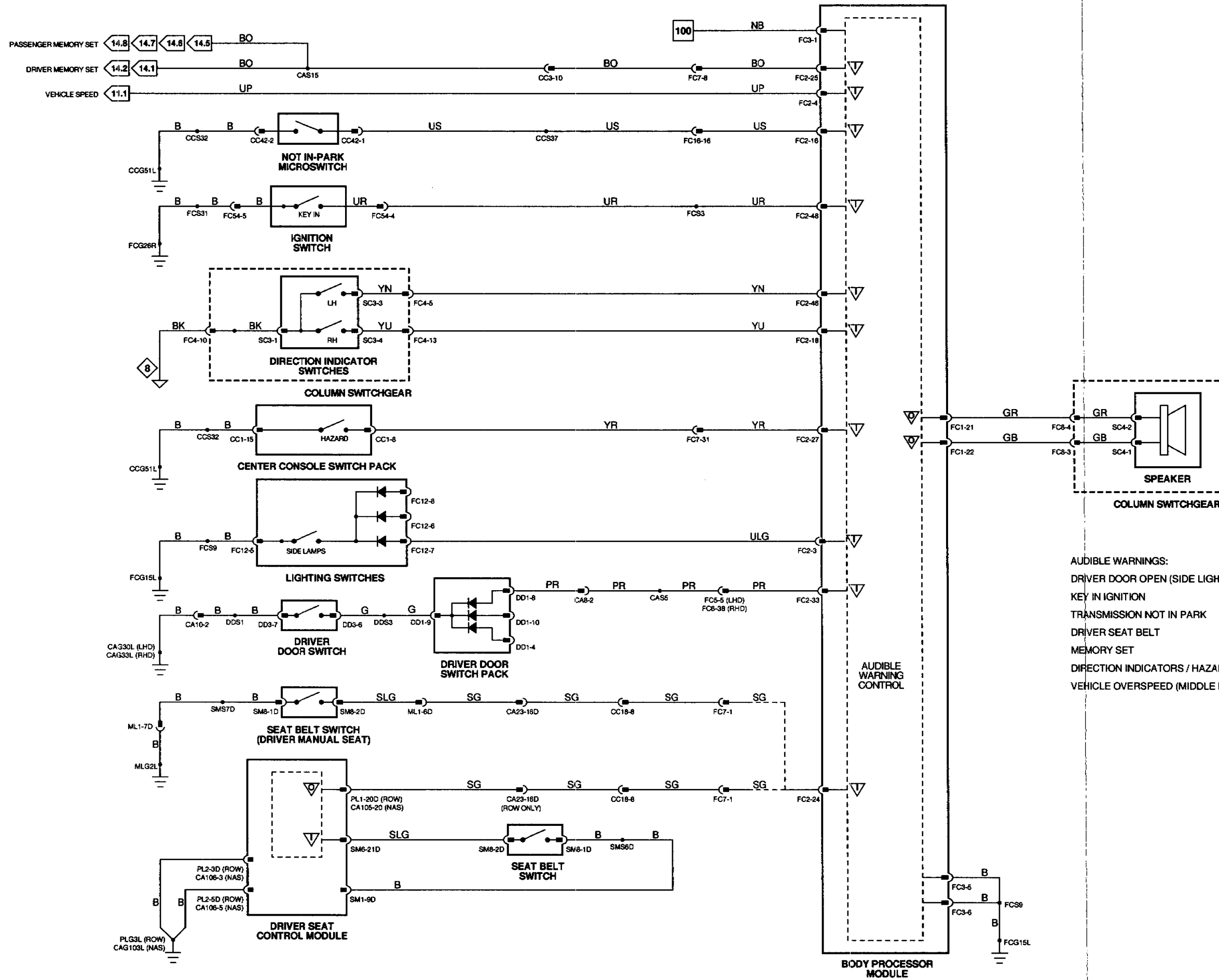
The following symbols are used to represent values for Control Module Pin Out data:

I Input	B+ Battery voltage
O Output	V Voltage (DC)
SG Signal Ground	Hz Frequency
D Serial and encoded communications	KHz Frequency x 1000
	MS Milliseconds
	MV Millivolts

CAUTION: The information on this data page is furnished to aid the user in understanding circuit operation. THIS INFORMATION SHOULD BE USED FOR REFERENCE ONLY.

NOTE: The values listed are approximately those that can be expected at the control module connector pins with all circuit connections made and all components connected and fitted. "Active" means a load is applied or a switch is ON; "Inactive" means a load is not applied or a switch is OFF.

REFER TO THE FRONT OF THE BOOK FOR ILLUSTRATIONS DETAILING THE LOCATION AND IDENTIFICATION OF COMPONENTS, RELAYS, CONNECTORS, HARNESSES, GROUNDS, VEHICLE CONTROL MODULES AND CONTROL MODULE PINS.



- AUDIBLE WARNINGS:
- DRIVER DOOR OPEN (SIDE LIGHTS ON; KEY IN)
 - KEY IN IGNITION
 - TRANSMISSION NOT IN PARK
 - DRIVER SEAT BELT
 - MEMORY SET
 - DIRECTION INDICATORS / HAZARD
 - VEHICLE OVERSPEED (MIDDLE EAST ONLY)

CONTROL MODULE PIN OUT INFORMATION

AIR CONDITIONING CONTROL MODULE

Pin	Description	Active	Inactive
I CC28-1	COMPRESSOR CLUTCH ON SIGNAL	B+	GROUND
O CC28-6	DEFROST VENT SERVO MOTOR	B+	GROUND
O CC28-7	CENTER VENT SERVO MOTOR	B+	GROUND
O CC28-8	LH RECIRCULATION VENT SERVO MOTOR	B+	GROUND
O CC28-9	RH RECIRCULATION VENT SERVO MOTOR	B+	GROUND
O CC28-12	FOOTWELL VENT SERVO MOTOR	B+	GROUND
O CC28-13	COOL AIR BY-PASS VENT SERVO MOTOR	B+	GROUND
O CC28-19	DEFROST VENT SERVO MOTOR	B+	GROUND
O CC28-20	CENTER VENT SERVO MOTOR	B+	GROUND
O CC28-21	LH RECIRCULATION VENT SERVO MOTOR	B+	GROUND
O CC28-22	RH RECIRCULATION VENT SERVO MOTOR	B+	GROUND
O CC28-25	FOOTWELL VENT SERVO MOTOR	B+	GROUND
O CC28-26	COOL AIR BY-PASS VENT SERVO MOTOR	B+	GROUND
I CC29-1	SOLAR SENSOR FEEDBACK VOLTAGE	0.75 - 4.75 V, INCREASING WITH LAMP BRIGHTNESS	
I CC29-2	CENTER VENT POTENTIOMETER FEEDBACK VOLTAGE	> 3.5 V (OPEN)	< 1 V (CLOSED)
I CC29-3	RH RECIRCULATION POTENTIOMETER FEEDBACK VOLTAGE	> 3.5 V (OPEN)	< 1 V (CLOSED)
I CC29-5	COOL AIR BY-PASS POTENTIOMETER FEEDBACK VOLTAGE	> 3.5 V (OPEN)	< 1 V (CLOSED)
I CC29-6	COOLANT TEMPERATURE SIGNAL	2.5 V @ 90° C, INCREASING WITH TEMPERATURE	
I CC29-9	TEMPERATURE DIFFERENTIAL POTENTIOMETER FEEDBACK	0.75V = RED; 4.75V = BLUE	
I CC29-10	DEFROST VENT POTENTIOMETER FEEDBACK	> 3.5 V (OPEN)	< 1 V (CLOSED)
I CC29-11	LH RECIRCULATION POTENTIOMETER FEEDBACK	> 3.5 V (OPEN); < 1 V (CLOSED)	
I CC29-13	FOOTWELL VENT POTENTIOMETER FEEDBACK	> 3.5 V (OPEN); < 1 V (CLOSED)	
O CC30-1	AIR CONDITIONING ELECTRICAL LOAD SIGNAL	B+	GROUND
O CC30-2	CLOCK	B+ (1.45 KHz)	B+
D CC30-3	SERIAL DATA OUTPUT TO CONTROL PANEL		
I CC30-5	AMBIENT TEMPERATURE SENSOR FEEDBACK	2.18 V @ 25° C, INCREASING WITH TEMPERATURE	
I CC30-6	HEATER MATRIX AIR TEMPERATURE SENSOR FEEDBACK	2.25 V @ 20° C, INCREASING WITH TEMPERATURE	
D CC30-7	SERIAL DATA INPUT FROM CONTROL PANEL		
O CC30-8	START	B+	GROUND
I CC30-11	IN CAR TEMPERATURE SENSOR FEEDBACK	3.25 V @ 0° C, INCREASING WITH TEMPERATURE	
I CC30-12	EVAPORATOR TEMPERATURE SENSOR FEEDBACK	3.25 V @ 0° C, INCREASING WITH TEMPERATURE	
I CC31-3	IGNITION SWITCHED GROUND	GROUND	B+
O CC31-4	IGNITION SWITCHED POWER SUPPLY TO CONTROL PANEL	B+	GROUND
I CC31-6	ENGINE SPEED SIGNAL	5 V @ 1000 RPM = 45 Hz, 2000 RPM = 90 Hz	5 V
O CC31-8	SERVO POTENTIOMETER COMMON REFERENCE VOLTAGE	5V	B+
O CC31-9	COMPRESSOR CLUTCH REQUEST	GROUND	B+
D CC31-10	SERIAL COMMUNICATION INPUT		
O CC31-12	BATTERY POWER SUPPLY TO CONTROL PANEL	B+	B+
O CC31-15	AIR CONDITIONING ISOLATE RELAY	B+	GROUND
I CC31-16	VEHICLE SPEED SIGNAL	B+ @ 10 MPH (16 KPH) = 20 Hz, 20 MPH (32 KPH) = 40 Hz	
I CC31-17	REFRIGERANT TRIPLE PRESSURE SWITCH - 4.0L REFRIGERANT DUAL PRESSURE SWITCH - V12	GROUND	B+
O CC31-18	ASPIRATOR MOTOR	B+	GROUND
SG CC31-19	SERVO POTENTIOMETER COMMON REFERENCE GROUND	GROUND	GROUND
D CC31-21	SERIAL COMMUNICATION OUTPUT		

AIR CONDITIONING CONTROL PANEL

Pin	Description	Active	Inactive
I CC2-1	CLOCK	B+ (1.45 KHz)	B+
I CC2-2	START	B+	GROUND
D CC2-3	SERIAL DATA OUTPUT TO A/C CONTROL MODULE		
D CC2-4	SERIAL DATA INPUT FROM A/C CONTROL MODULE		
I CC2-5	IGNITION SWITCHED POWER SUPPLY	B+	GROUND
I CC2-6	BATTERY POWER SUPPLY	B+	B+

The following symbols are used to represent values for Control Module Pin Out data:

I	Input	B+	Battery voltage
O	Output	V	Voltage (DC)
SG	Signal Ground	Hz	Frequency
D	Serial and encoded communications	KHz	Frequency x 1000
		MS	Milliseconds
		MV	Millivolts

CAUTION: The information on this data page is furnished to aid the user in understanding circuit operation. THIS INFORMATION SHOULD BE USED FOR REFERENCE ONLY.

NOTE: The values listed are approximately those that can be expected at the control module connector pins with all circuit connections made and all components connected and fitted. "Active" means a load is applied or a switch is ON; "Inactive" means a load is not applied or a switch is OFF.

Fig. 12.1

COMPONENTS

Component	Connector / Type / Color	Location / Access
AIR CONDITIONING CONTROL MODULE	CC28 / 26-WAY MULTILOCK 47 / SLATE CC29 / 16-WAY MULTILOCK 47 / SLATE CC30 / 12-WAY MULTILOCK 47 / SLATE CC31 / 22-WAY MULTILOCK 47 / SLATE	A/C UNIT, RH SIDE / RH UNDERSCUTTLE
AIR CONDITIONING CONTROL PANEL	CC2 (FLY LEAD) / 12-WAY MULTILOCK 040 / BLUE	CENTER CONSOLE
AMBIENT TEMPERATURE SENSOR	BL6 (FLY LEAD) / 2-WAY ECONOSEAL III LC / BLACK	LH FRONT WHEEL ARCH LINER / SPOILER TRAY
ASPIRATOR MOTOR	FC40 (FLY LEAD) / 4-WAY MULTILOCK 070 / WHITE	DRIVER'S UNDERSCUTTLE
COOL AIR BYPASS SERVO	CC34 (FLY LEAD) / 12-WAY MULTILOCK 040 / BLACK	A/C UNIT, LH SIDE; LH UNDERSCUTTLE
DEFROST SERVO	FC42 (FLY LEAD) / 12-WAY MULTILOCK 040 / BLACK	A/C UNIT, RH SIDE; FASCIA
DIFFERENTIAL CONTROL POTENTIOMETER	FC20 (FLY LEAD) / 3-WAY MULTILOCK 070 / WHITE	A/C UNIT, LH SIDE; FASCIA
EVAPORATOR TEMPERATURE SENSOR	CC34 (FLY LEAD) / 12-WAY MULTILOCK 040 / BLACK	A/C UNIT, LH SIDE / LH UNDERSCUTTLE
FOOTWELL SERVO	CC34 (FLY LEAD) / 12-WAY MULTILOCK 040 / BLACK	A/C UNIT, LH SIDE / LH UNDERSCUTTLE
FRESH / RECIRCULATION SERVO - LH	CC32 (FLY LEAD) / 15-WAY SUMITOMO 90 / GREEN	BLOWER HOUSING
FRESH / RECIRCULATION SERVO - RH	CC33 (FLY LEAD) / 15-WAY SUMITOMO 90 / GREEN	BLOWER HOUSING
HEATER MATRIX TEMPERATURE SENSOR	CC34 (FLY LEAD) / 12-WAY MULTILOCK 040 / BLACK	A/C UNIT, LH SIDE / LH UNDERSCUTTLE
IN-CAR TEMPERATURE SENSOR	FC40 (FLY LEAD) / 4-WAY MULTILOCK 040 / WHITE	DRIVER'S UNDERSCUTTLE
SOLAR SENSOR	FC34 (FLY LEAD) / 2-WAY MULTILOCK 040 / BLACK	FASCIA, TOP FRONT
VENT SERVO	FC42 (FLY LEAD) / 12-WAY MULTILOCK 040 / BLACK	A/C UNIT, LH SIDE / LH UNDERSCUTTLE

RELAYS

Relay	Color / Stripe	Connector / Color	Location / Access
AIR CONDITIONING ISOLATE RELAY	BLACK / BLUE	CA57 / BLUE	RH HEELBOARD

HARNESS-TO-HARNESS CONNECTORS

Connector	Type / Color	Location / Access
BL1	13-WAY ECONOSEAL III LC / BLACK	LH FRONT WHEEL ARCH LINER / SPOILER AND SPOILER TRAY
CC5	20-WAY MULTILOCK 040 / GREEN	CENTER CONSOLE / CENTER CONSOLE GLOVE BOX
CC16	20-WAY MULTILOCK 040 / BLUE	CENTER CONSOLE / CENTER CONSOLE GLOVE BOX
FC5	THROUGH-PANEL (48 MICRO / 6) / BLACK	LH FASCIA END PANEL / OUTER AIR VENT
FC6	THROUGH-PANEL (48 MICRO / 6) / BLACK	RH FASCIA END PANEL / OUTER AIR VENT
FC7	THROUGH-PANEL (48 MICRO / 6) / BLACK	PASSENGER'S UNDERSCUTTLE
FC16	20-WAY MULTILOCK 040 / BLACK	PASSENGER'S UNDERSCUTTLE
LS3	THROUGH-PANEL (48 MICRO / 6) / BLACK	LH 'A' POST / 'A' POST PANEL
PI63	20-WAY MULTILOCK 040 / BLACK	RH 'A' POST / 'A' POST TRIM

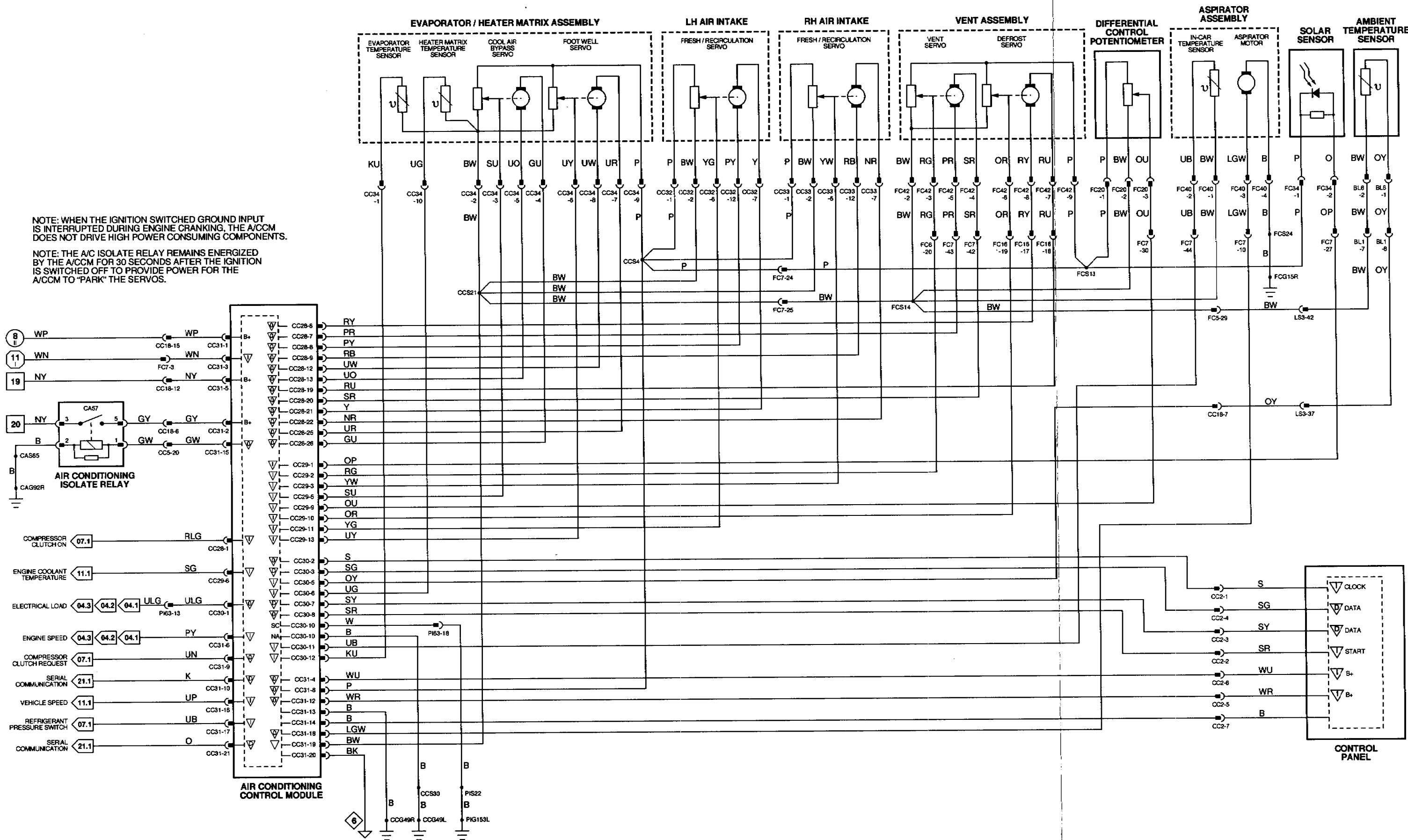
GROUND

Ground	Location / Type
CAG92R	RH HEELBOARD GROUND SCREW
CCG49L	RH CONSOLE GROUND STUD
CCG49R	RH CONSOLE GROUND STUD
FCG15R	LH CONSOLE GROUND STUD
PIG153L	RH BULKHEAD GROUND STUD

CONTROL MODULE PIN OUT INFORMATION (FOLD OUT PAGE)



REFER TO THE FRONT OF THE BOOK FOR ILLUSTRATIONS DETAILING THE LOCATION AND IDENTIFICATION OF COMPONENTS, RELAYS, CONNECTORS, HARNESES, GROUNDS, VEHICLE CONTROL MODULES AND CONTROL MODULE PINS.



NOTE: WHEN THE IGNITION SWITCHED GROUND INPUT IS INTERRUPTED DURING ENGINE CRANKING, THE A/CCM DOES NOT DRIVE HIGH POWER CONSUMING COMPONENTS.

NOTE: THE A/C ISOLATE RELAY REMAINS ENERGIZED BY THE A/CCM FOR 30 SECONDS AFTER THE IGNITION IS SWITCHED OFF TO PROVIDE POWER FOR THE A/CCM TO "PARK" THE SERVOS.

Fig. 12.2**CONTROL MODULE PIN OUT INFORMATION****AIR CONDITIONING CONTROL MODULE**

Pin	Description	Active	Inactive
I CC28-1	COMPRESSOR CLUTCH ON SIGNAL	B+	GROUND
O CC28-6	DEFROST VENT SERVO MOTOR	B+	GROUND
O CC28-7	CENTER VENT SERVO MOTOR	B+	GROUND
O CC28-8	LH RECIRCULATION VENT SERVO MOTOR	B+	GROUND
O CC28-9	RH RECIRCULATION VENT SERVO MOTOR	B+	GROUND
O CC28-12	FOOTWELL VENT SERVO MOTOR	B+	GROUND
O CC28-13	COOL AIR BY-PASS VENT SERVO MOTOR	B+	GROUND
O CC28-19	DEFROST VENT SERVO MOTOR	B+	GROUND
O CC28-20	CENTER VENT SERVO MOTOR	B+	GROUND
O CC28-21	LH RECIRCULATION VENT SERVO MOTOR	B+	GROUND
O CC28-22	RH RECIRCULATION VENT SERVO MOTOR	B+	GROUND
O CC28-25	FOOTWELL VENT SERVO MOTOR	B+	GROUND
O CC28-26	COOL AIR BY-PASS VENT SERVO MOTOR	B+	GROUND
I CC29-1	SOLAR SENSOR FEEDBACK VOLTAGE	0.75 - 4.75 V, INCREASING WITH LAMP BRIGHTNESS	
I CC29-2	CENTER VENT POTENTIOMETER FEEDBACK VOLTAGE	> 3.5 V (OPEN)	< 1 V (CLOSED)
I CC29-3	RH RECIRCULATION POTENTIOMETER FEEDBACK VOLTAGE	> 3.5 V (OPEN)	< 1 V (CLOSED)
I CC29-5	COOL AIR BY-PASS POTENTIOMETER FEEDBACK VOLTAGE	> 3.5 V (OPEN)	< 1 V (CLOSED)
I CC29-6	COOLANT TEMPERATURE SIGNAL	2.5 V @ 90° C, INCREASING WITH TEMPERATURE	
I CC29-9	TEMPERATURE DIFFERENTIAL POTENTIOMETER FEEDBACK	0.75V = RED; 4.75V = BLUE	
I CC29-10	DEFROST VENT POTENTIOMETER FEEDBACK	> 3.5 V (OPEN)	< 1 V (CLOSED)
I CC29-11	LH RECIRCULATION POTENTIOMETER FEEDBACK	> 3.5 V (OPEN); < 1 V (CLOSED)	
I CC29-13	FOOTWELL VENT POTENTIOMETER FEEDBACK	> 3.5 V (OPEN); < 1 V (CLOSED)	
O CC30-1	AIR CONDITIONING ELECTRICAL LOAD SIGNAL	B+	GROUND
O CC30-2	CLOCK	B+ (1.45 KHz)	B+
D CC30-3	SERIAL DATA OUTPUT TO CONTROL PANEL		GROUND
I CC30-4	COMPRESSOR LOCK SIGNAL (V12 ONLY)	0.43 V	GROUND
I CC30-5	AMBIENT TEMPERATURE SENSOR FEEDBACK	2.18 V @ 25° C, INCREASING WITH TEMPERATURE	
I CC30-6	HEATER MATRIX AIR TEMPERATURE SENSOR FEEDBACK	2.25 V @ 20° C, INCREASING WITH TEMPERATURE	
D CC30-7	SERIAL DATA INPUT FROM CONTROL PANEL		GROUND
O CC30-8	START	B+	GROUND
I CC30-11	IN CAR TEMPERATURE SENSOR FEEDBACK	3.25 V @ 0° C, INCREASING WITH TEMPERATURE	
I CC30-12	EVAPORATOR TEMPERATURE SENSOR FEEDBACK	3.25 V @ 0° C, INCREASING WITH TEMPERATURE	
I CC31-3	IGNITION SWITCHED GROUND	GROUND	B+
O CC31-4	IGNITION SWITCHED POWER SUPPLY TO CONTROL PANEL	B+	GROUND
I CC31-6	ENGINE SPEED SIGNAL	5 V @ 1000 RPM = 45 Hz, 2000 RPM = 90 Hz	
I CC31-7	LOAD INHIBIT (V12 ONLY)	GROUND	B+
O CC31-8	SERVO POTENTIOMETER COMMON REFERENCE VOLTAGE	5V	5 V
O CC31-9	COMPRESSOR CLUTCH REQUEST	GROUND	B+
D CC31-10	SERIAL COMMUNICATION INPUT		B+
O CC31-12	BATTERY POWER SUPPLY TO CONTROL PANEL	B+	GROUND
O CC31-15	AIR CONDITIONING ISOLATE RELAY	B+	GROUND
I CC31-16	VEHICLE SPEED SIGNAL	B+ @ 10 MPH (16 KPH) = 20 Hz, 20 MPH (32 KPH) = 40 Hz	
I CC31-17	REFRIGERANT TRIPLE PRESSURE SWITCH - 4.0L REFRIGERANT DUAL PRESSURE SWITCH - V12	GROUND	B+
O CC31-18	ASPIRATOR MOTOR	B+	GROUND
SG CC31-19	SERVO POTENTIOMETER COMMON REFERENCE GROUND	GROUND	GROUND
D CC31-21	SERIAL COMMUNICATION OUTPUT		GROUND

AIR CONDITIONING CONTROL PANEL

Pin	Description	Active	Inactive
I CC2-1	CLOCK	B+ (1.45 KHz)	B+
I CC2-2	START	B+	GROUND
D CC2-3	SERIAL DATA OUTPUT TO A/C CONTROL MODULE		GROUND
D CC2-4	SERIAL DATA INPUT FROM A/C CONTROL MODULE		GROUND
I CC2-5	IGNITION SWITCHED POWER SUPPLY	B+	GROUND
I CC2-6	BATTERY POWER SUPPLY	B+	B+

The following symbols are used to represent values for Control Module Pin Out data:

I	Input	B+	Battery voltage
O	Output	V	Voltage (DC)
SG	Signal Ground	Hz	Frequency
D	Serial and encoded communications	KHz	Frequency x 1000
		MS	Milliseconds
		MV	Millivolts

CAUTION: The information on this data page is furnished to aid the user in understanding circuit operation. THIS INFORMATION SHOULD BE USED FOR REFERENCE ONLY.

NOTE: The values listed are approximately those that can be expected at the control module connector pins with all circuit connections made and all components connected and fitted. "Active" means a load is applied or a switch is ON; "Inactive" means a load is not applied or a switch is OFF.

COMPONENTS

Component	Connector / Type / Color	Location / Access
AIR CONDITIONING CONTROL MODULE	CC28 / 26-WAY MULTILOCK 47 / SLATE CC29 / 16-WAY MULTILOCK 47 / SLATE CC30 / 12-WAY MULTILOCK 47 / SLATE CC31 / 22-WAY MULTILOCK 47 / SLATE	A/C UNIT, RH SIDE / RH UNDERSCUTTLE
AIR CONDITIONING CONTROL PANEL	CC2 (FLY LEAD) / 12-WAY MULTILOCK 040 / BLUE	CENTER CONSOLE
AMBIENT TEMPERATURE SENSOR	BL6 (FLY LEAD) / 2-WAY ECONOSEAL III LC / BLACK	LH FRONT WHEEL ARCH LINER / SPOILER TRAY
ASPIRATOR MOTOR	FC40 (FLY LEAD) / 4-WAY MULTILOCK 070 / WHITE	DRIVER'S UNDERSCUTTLE
COMPRESSOR LOCK SENSOR	PI57 (FLY LEAD) / 2-WAY ECONOSEAL III LC / BLACK	A/C COMPRESSOR
COOL AIR BYPASS SERVO	CC34 (FLY LEAD) / 12-WAY MULTILOCK 040 / BLACK	A/C UNIT, LH SIDE; LH UNDERSCUTTLE
DEFROST SERVO	FC42 (FLY LEAD) / 12-WAY MULTILOCK 040 / BLACK	A/C UNIT, RH SIDE; FASCIA
DIFFERENTIAL CONTROL POTENTIOMETER	FC20 (FLY LEAD) / 3-WAY MULTILOCK 070 / WHITE	A/C UNIT, LH SIDE / LH UNDERSCUTTLE
EVAPORATOR TEMPERATURE SENSOR	CC34 (FLY LEAD) / 12-WAY MULTILOCK 040 / BLACK	A/C UNIT, LH SIDE / LH UNDERSCUTTLE
FOOTWELL SERVO	CC34 (FLY LEAD) / 12-WAY MULTILOCK 040 / BLACK	A/C UNIT, LH SIDE / LH UNDERSCUTTLE
FRESH / RECIRCULATION SERVO - LH	CC32 (FLY LEAD) / 15-WAY SUMITOMO 90 / GREEN	BLOWER HOUSING
FRESH / RECIRCULATION SERVO - RH	CC33 (FLY LEAD) / 15-WAY SUMITOMO 90 / GREEN	BLOWER HOUSING
HEATER MATRIX TEMPERATURE SENSOR	CC34 (FLY LEAD) / 12-WAY MULTILOCK 040 / BLACK	A/C UNIT, LH SIDE / LH UNDERSCUTTLE
IN-CAR TEMPERATURE SENSOR	FC40 (FLY LEAD) / 4-WAY MULTILOCK 040 / WHITE	DRIVER'S UNDERSCUTTLE
SOLAR SENSOR	FC34 (FLY LEAD) / 2-WAY MULTILOCK 040 / BLACK	FASCIA, TOP FRONT
VENT SERVO	FC42 (FLY LEAD) / 12-WAY MULTILOCK 040 / BLACK	A/C UNIT, LH SIDE / LH UNDERSCUTTLE

RELAYS

Relay	Color / Stripe	Connector / Color	Location / Access
AIR CONDITIONING ISOLATE RELAY	BLACK / BLUE	CA57 / BLUE	RH HEELBOARD

HARNESS-TO-HARNESS CONNECTORS

Connector	Type / Color	Location / Access
BL1	13-WAY ECONOSEAL III LC / BLACK	LH FRONT WHEEL ARCH LINER / SPOILER AND SPOILER TRAY
CC5	20-WAY MULTILOCK 040 / GREEN	CENTER CONSOLE / CENTER CONSOLE GLOVE BOX
CC18	20-WAY MULTILOCK 040 / BLUE	CENTER CONSOLE / CENTER CONSOLE GLOVE BOX
FC5	THROUGH-PANEL (40 MICRO / 6) / BLACK	LH FASCIA END PANEL / OUTER AIR VENT
FC6	THROUGH-PANEL (40 MICRO / 6) / BLACK	RH FASCIA END PANEL / OUTER AIR VENT
FC7	THROUGH-PANEL (40 MICRO / 6) / BLACK	PASSENGER'S UNDERSCUTTLE
FC16	20-WAY MULTILOCK 040 / BLACK	PASSENGER'S UNDERSCUTTLE
LS3	THROUGH-PANEL (40 MICRO / 6) / BLACK	LH 'A' POST / 'A' POST PANEL
PI1	13-WAY ECONOSEAL III LC / WHITE	REARWARD OF RH HEADLAMP
PI63	20-WAY MULTILOCK 040 / BLACK	RH 'A' POST / 'A' POST TRIM

GROUNDS

Ground	Location / Type
CAG82R	RH HEELBOARD GROUND SCREW
CCG49R	RH CONSOLE GROUND STUD
FCG15R	LH CONSOLE GROUND STUD

CONTROL MODULE PIN OUT INFORMATION (FOLD OUT PAGE)

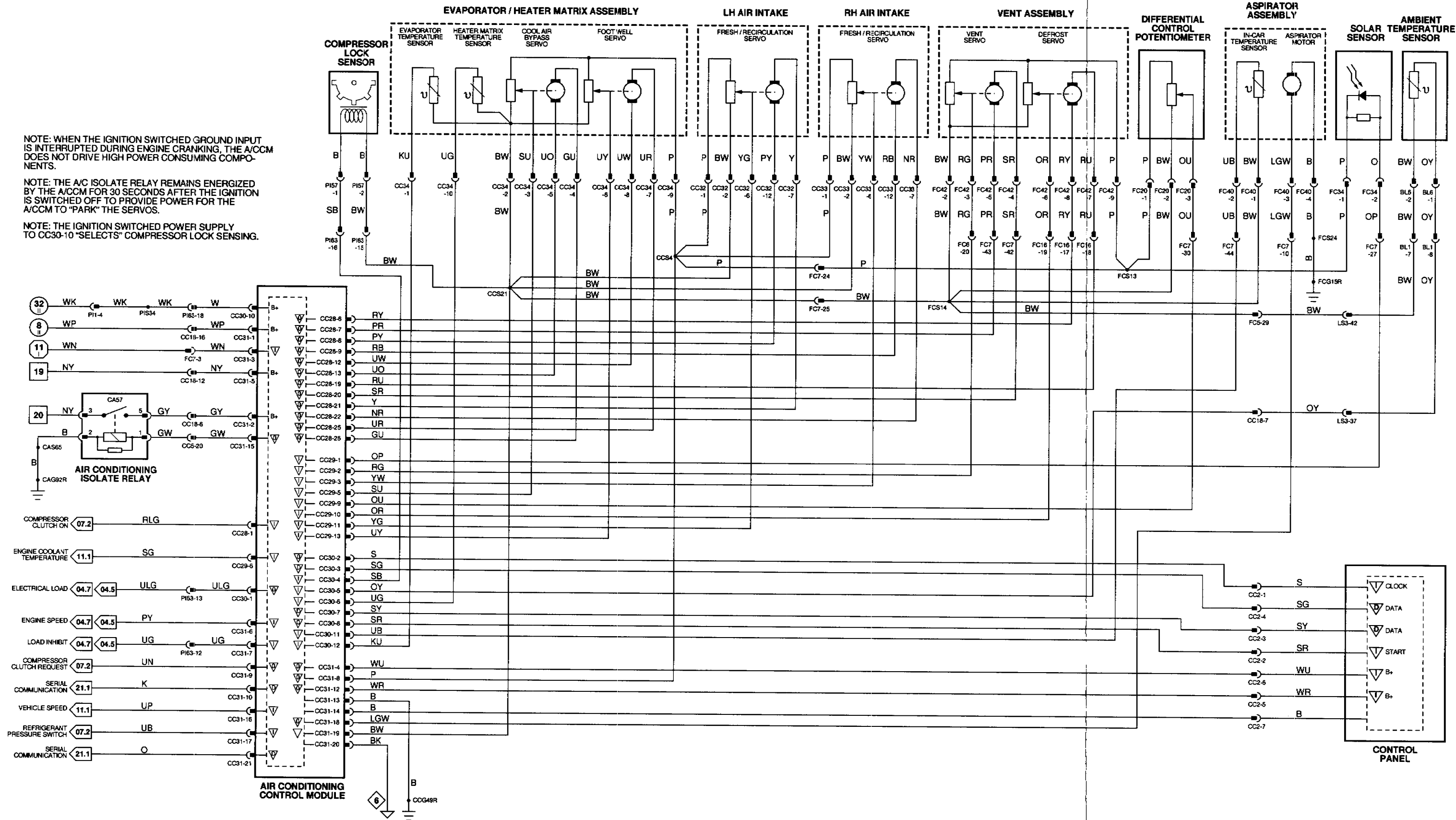
REFER TO THE FRONT OF THE BOOK FOR ILLUSTRATIONS DETAILING THE LOCATION AND IDENTIFICATION OF COMPONENTS, RELAYS, CONNECTORS, HARNESSSES, GROUNDS, VEHICLE CONTROL MODULES AND CONTROL MODULE PINS.



NOTE: WHEN THE IGNITION SWITCHED GROUND INPUT IS INTERRUPTED DURING ENGINE CRANKING, THE A/CCM DOES NOT DRIVE HIGH POWER CONSUMING COMPONENTS.

NOTE: THE A/C ISOLATE RELAY REMAINS ENERGIZED BY THE A/CCM FOR 30 SECONDS AFTER THE IGNITION IS SWITCHED OFF TO PROVIDE POWER FOR THE A/CCM TO "PARK" THE SERVOS.

NOTE: THE IGNITION SWITCHED POWER SUPPLY TO CC30-10 "SELECTS" COMPRESSOR LOCK SENSING.



CONTROL MODULE PIN OUT INFORMATION

AIR CONDITIONING CONTROL MODULE

Pin	Description	Active	Inactive
O CC28-2	HEATER VALVE SUPPLY	B+	GROUND
O CC28-3	R/H BLOWER MOTOR RELAY	GROUND	B+
O CC28-4	LH AND RH WINDSHIELD HEATER RELAYS	GROUND	B+
O CC28-5	DOOR MIRROR HEATER RELAY	GROUND	B+
O CC28-14	RH HIGH SPEED BLOWER RELAY	GROUND	B+
O CC28-15	LH HIGH SPEED BLOWER RELAY	GROUND	B+
O CC28-16	LH BLOWER MOTOR RELAY	GROUND	B+
O CC28-17	HEATER PUMP RELAY	GROUND	B+
O CC28-18	HEATED BACKLIGHT RELAY	GROUND	B+
I CC28-7	RH BLOWER SPEED FEEDBACK	7.8 V = LOW SPEED; 0.83 V = HIGH SPEED	
O CC28-8	RH BLOWER SPEED CONTROL DRIVE SIGNAL	1.3 V = LOW SPEED; 0V = HIGH SPEED	
I CC28-15	LH BLOWER SPEED FEEDBACK	7.8 V = LOW SPEED; 0.83 V = HIGH SPEED	
O CC28-16	LH BLOWER SPEED CONTROL DRIVE SIGNAL	1.3 V = LOW SPEED; 0 V = HIGH SPEED	
I CC31-3	IGNITION SWITCHED GROUND	GROUND	B+

Fig. 12.3

COMPONENTS

Component	Connector / Type / Color	Location / Access
AIR CONDITIONING CONTROL MODULE	CC28 / 26-WAY MULTILOCK 47 / SLATE CC29 / 16-WAY MULTILOCK 47 / SLATE CC30 / 12-WAY MULTILOCK 47 / SLATE CC31 / 22-WAY MULTILOCK 47 / SLATE	A/C UNIT, RH SIDE / RH UNDERSCUTTLE
BLOWER MOTOR - LH	CC32 (FLY LEAD) / 15-WAY SUMITOMO 090 / GREEN	LH UNDERSCUTTLE
BLOWER MOTOR - RH	CC33 (FLY LEAD) / 15-WAY SUMITOMO 090 / GREEN	RH UNDERSCUTTLE
HEATED BACKLIGHT	CA17 / LUCAR / BLACK CA42 / LUCAR / BLACK	BACKLIGHT / LH 'E' POST TRIM BACKLIGHT / RH 'E' POST TRIM
HEATER PUMP	LS7 (FLY LEAD) / 2-WAY ECONOSEAL III LC / BLACK	ENGINE BAY, LH REAR
HEATER VALVE	LS15 (FLY LEAD) / 2-WAY ECONOSEAL III LC / WHITE	ENGINE BAY, LH REAR
MIRROR - DRIVER	DD10 / 12-WAY MULTILOCK 040 / BLACK	MIRROR ASSEMBLY
MIRROR - PASSENGER	PD10 / 12-WAY MULTILOCK 040 / BLACK	MIRROR ASSEMBLY
WINDSHIELD HEATER - LH	SH4 / 2-WAY SERIES 187C / SLATE	WINDSHIELD / WINDSHIELD BASE, ENGINE BAY
WINDSHIELD HEATER - RH	SH5 / 2-WAY SERIES 187C / SLATE	WINDSHIELD / WINDSHIELD BASE, ENGINE BAY

RELAYS

Relay	Color / Stripe	Connector / Color	Location / Access
BLOWER MOTOR RELAY - LH	BLACK / BLUE	CA58 / BLUE	RH HEELBOARD
BLOWER MOTOR RELAY - RH	BLACK / BLUE	CA58 / BLUE	RH HEELBOARD
DOOR MIRROR HEATER RELAY	VIOLET	CA54 / BLUE	RH HEELBOARD
HEATED BACKLIGHT RELAY	BLACK / VIOLET	BT42 / YELLOW	TRUNK ELECTRICAL CARRIER
HEATER PUMP RELAY	BLACK	LS46 / BLACK	LH ENGINE BAY RELAYS
HIGH SPEED RELAY - LH	BLACK / BLUE	CA59 / BLUE	RH HEELBOARD
HIGH SPEED RELAY - RH	BLACK / BLUE	CA58 / BLUE	RH HEELBOARD
WINDSHIELD HEATER RELAY - LH	LIGHT BLUE	SH2 / BLACK	LH 'A' POST
WINDSHIELD HEATER RELAY - RH	LIGHT BLUE	SH3 / BLACK	LH 'A' POST

HARNESSTO-HARNESSTO CONNECTORS

Connector	Type / Color	Location / Access
BT4	THROUGH-PANEL (48 MICRO / 6) / BLACK	ABOVE FUEL TANK / FUEL TANK TRIM
CA9	20-WAY MULTILOCK 040 / BLACK	DRIVER'S 'A' POST / 'A' POST TRIM
CA10	8-WAY MULTILOCK 070 / WHITE	DRIVER'S 'A' POST / 'A' POST TRIM
CA11	20-WAY MULTILOCK 040 / BLACK	PASSENGER'S UNDERSCUTTLE / ECM
CA12	15-WAY MULTILOCK 070 / WHITE	PASSENGER'S UNDERSCUTTLE / ECM
CC3	20-WAY MULTILOCK 040 / BLACK	CENTER CONSOLE / CENTER CONSOLE GLOVE BOX
CC4	14-WAY MULTILOCK 070 / WHITE	CENTER CONSOLE / CENTER CONSOLE GLOVE BOX
CC5	20-WAY MULTILOCK 040 / GREEN	CENTER CONSOLE / CENTER CONSOLE
FC7	THROUGH-PANEL (48 MICRO / 6) / BLACK	PASSENGER'S UNDERSCUTTLE
LS3	THROUGH-PANEL (48 MICRO / 6) / BLACK	LH 'A' POST / 'A' POST PANEL
SH1	2-WAY AMP B7C SERIES / SLATE	LH 'A' POST / 'A' POST PANEL
SH8	4-WAY MULTILOCK 070 / WHITE	LH 'A' POST / 'A' POST PANEL

GROUNDS

Ground	Location / Type
CAG30L	LH 'A' POST GROUND SCREW
CAG31L	PARCEL SHELF GROUND SCREW
CAG33L	RH HEELBOARD GROUND SCREW
CAG82L	RH HEELBOARD GROUND SCREW
CAG86L	LH HEELBOARD GROUND SCREW
CAG96R	LH HEELBOARD GROUND SCREW
CCG43L	RH CONSOLE GROUND STUD
CCG43R	RH CONSOLE GROUND STUD
CCG48L	RH CONSOLE GROUND STUD
CCG48R	RH CONSOLE GROUND STUD
LSG19L	LH BULKHEAD GROUND STUD
SHG6L	LH BULKHEAD GROUND STUD
SHG6R	LH BULKHEAD GROUND STUD

CONTROL MODULE PIN OUT INFORMATION (FOLD OUT PAGE)



The following symbols are used to represent values for Control Module Pin Out data:

I	Input	B+	Battery voltage
O	Output	V	Voltage (DC)
SG	Signal Ground	Hz	Frequency
D	Serial and encoded communications	KHz	Frequency x 1000
		MS	Milliseconds
		MV	Millivolts

CAUTION: The information on this data page is furnished to aid the user in understanding circuit operation. THIS INFORMATION SHOULD BE USED FOR REFERENCE ONLY.

NOTE: The values listed are approximately those that can be expected at the control module connector pins with all circuit connections made and all components connected and fitted. "Active" means a load is applied or a switch is ON; "Inactive" means a load is not applied or a switch is OFF.

REFER TO THE FRONT OF THE BOOK FOR ILLUSTRATIONS DETAILING THE LOCATION AND IDENTIFICATION OF COMPONENTS, RELAYS, CONNECTORS, HARNESSES, GROUNDS, VEHICLE CONTROL MODULES AND CONTROL MODULE PINS.

DATE OF ISSUE: NOVEMBER 1995



NOTE: WHEN THE IGNITION SWITCHED GROUND INPUT IS INTERRUPTED DURING ENGINE CRANKING THE A/CCM DOES NOT DRIVE HIGH POWER CONSUMING COMPONENTS.

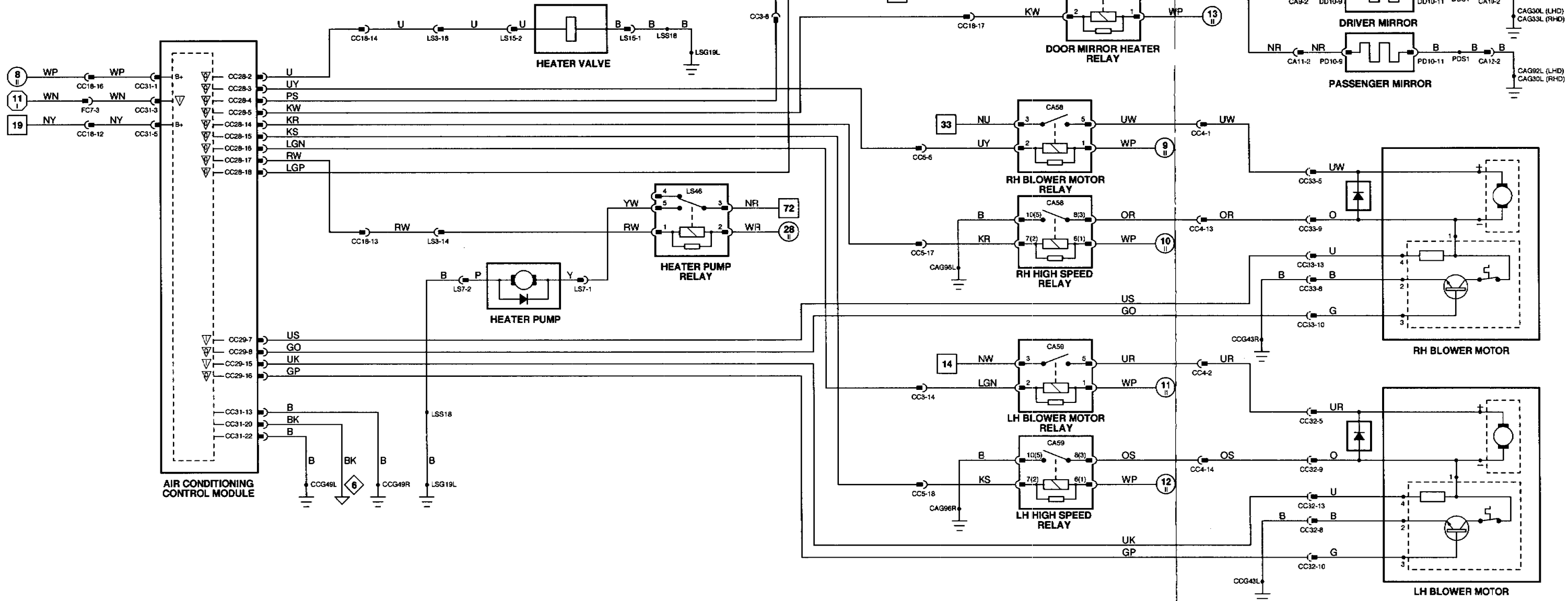


Fig. 13.1

CONTROL MODULE PIN OUT INFORMATION

VARIABLE STEERING CONTROL MODULE

Pin	Description	Active	Inactive
O CA32-2	TRANSDUCER NEGATIVE	2 V @ IDLE, DECREASING WITH VEHICLE SPEED	
I CA32-4	VEHICLE SPEED	B+ @ 10 MPH (16 KPH) = 20 Hz, 20 MPH (32 KPH) = 40 Hz	
O CA32-5	TRANSDUCER POSITIVE	9 V @ IDLE, INCREASING WITH VEHICLE SPEED	

COMPONENTS

Component	Connector / Type / Color	Location / Access
VARIABLE POWER STEERING CONTROL MODULE	CA32 / 9-WAY RISTS / BLACK	LH 'A' POST / 'A' POST TRIM
VARIABLE STEERING CONVERTER	LL3 / 2-WAY JUNIOR TIMER / BLACK	STEERING RACK, PINION HOUSING

HARNESSTO-HARNESSTO CONNECTORS

Connector	Type / Color	Location / Access
LL2	3-WAY ECONOSEAL III LC / BLACK	LH FRONT WHEEL ARCH LINER
LS3	THROUGH-PANEL (48 MICRO / 6) / BLACK	LH 'A' POST / 'A' POST PANEL
PI58	13-WAY ECONOSEAL III LC / BLACK	FORWARD OF LH ENGINE BAY FUSE BOX
PI61	13-WAY ECONOSEAL III LC / BLACK	REARWARD OF RH HEADLAMP

GROUND

Ground	Location / Type
CAG30R	LH 'A' POST GROUND SCREW

CONTROL MODULE PIN OUT INFORMATION (FOLD OUT PAGE)



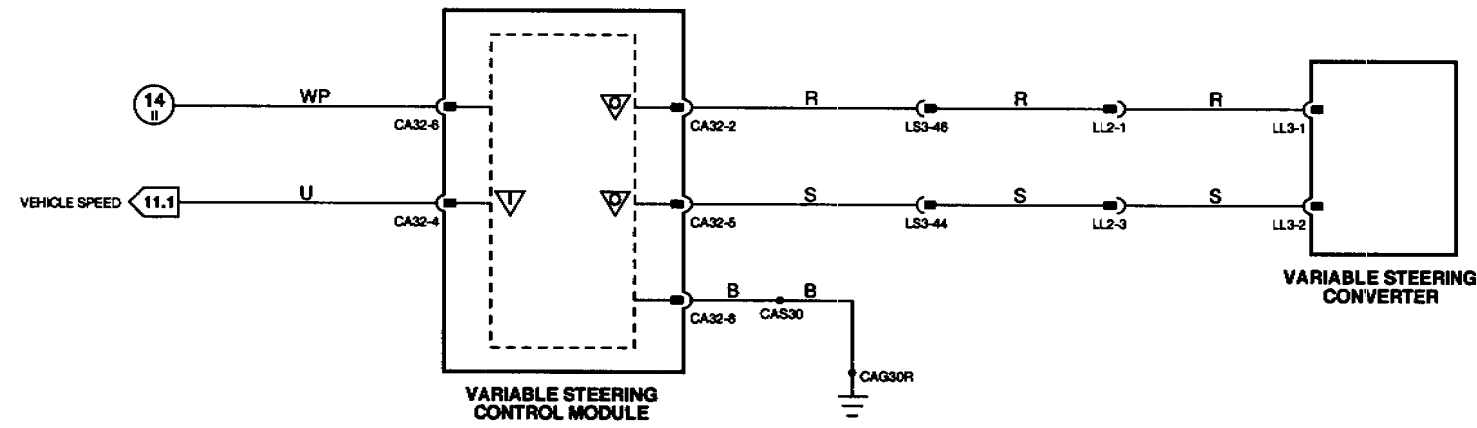
The following symbols are used to represent values for Control Module Pin Out data:

- I Input
- O Output
- SG Signal Ground
- D Serial and encoded communications
- B+ Battery voltage
- V Voltage (DC)
- Hz Frequency
- KHz Frequency x 1000
- MS Milliseconds
- MV Millivolts

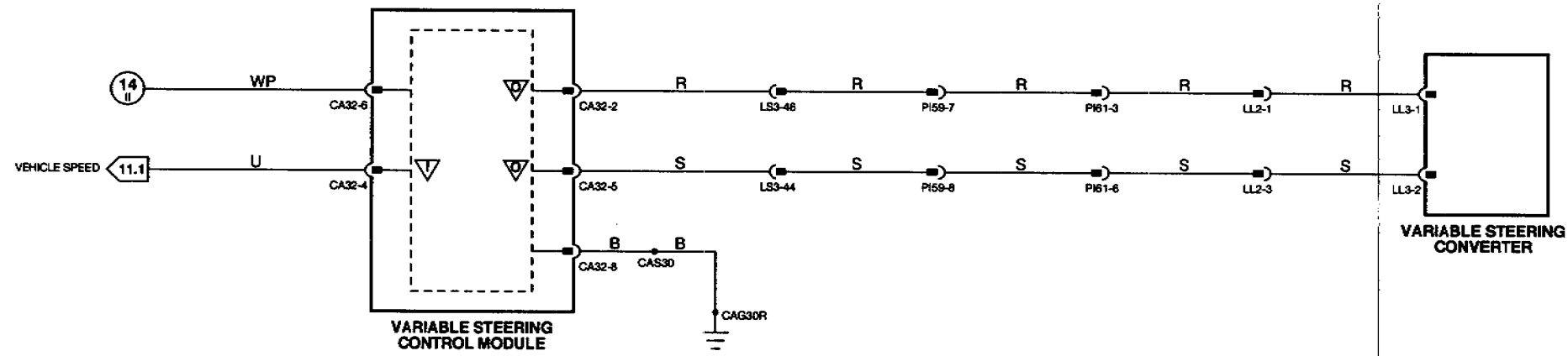
CAUTION: The information on this data page is furnished to aid the user in understanding circuit operation. THIS INFORMATION SHOULD BE USED FOR REFERENCE ONLY.

NOTE: The values listed are approximately those that can be expected at the control module connector pins with all circuit connections made and all components connected and fitted. "Active" means a load is applied or a switch is ON; "Inactive" means a load is not applied or a switch is OFF.

REFER TO THE FRONT OF THE BOOK FOR ILLUSTRATIONS DETAILING THE LOCATION AND IDENTIFICATION OF COMPONENTS, RELAYS, CONNECTORS, HARNESSES, GROUNDS, VEHICLE CONTROL MODULES AND CONTROL MODULE PINS.



LHD



RHD

CONTROL MODULE PIN OUT INFORMATION

COLUMN / MIRROR MOVEMENT CONTROL MODULE

Pin	Description	Active	Inactive
O FC45-1	PASSENGER MIRROR UP / DOWN MOTOR	B+ (UP)	GROUND
O FC45-2	STEERING COLUMN TILT MOTOR	B+ (UP)	GROUND
I FC45-4	PASSENGER MIRROR RIGHT / LEFT POTENTIOMETER FEEDBACK	0.5 V (LEFT), 4 V (RIGHT)	
I FC45-5	STEERING COLUMN MOVEMENT JOYSTICK	6.9 V (OUT), 8.5 V (IN) 10.1 V (UP), 12.1 V (DOWN)	
I FC45-6	PASSENGER MIRROR UP / DOWN REQUEST	B+ (UP), GROUND (DOWN)	OPEN CIRCUIT
I FC45-7	DRIVER MIRROR UP / DOWN REQUEST	B+ (UP), GROUND (DOWN)	OPEN CIRCUIT
I FC45-8	PASSENGER MIRROR RIGHT / LEFT REQUEST	B+ (RIGHT), GROUND (LEFT)	OPEN CIRCUIT
I FC45-9	DRIVER MIRROR RIGHT / LEFT REQUEST	B+ (RIGHT), GROUND (LEFT)	OPEN CIRCUIT
I FC45-10	MIRROR SELECT	SAME AS DIRECTIONAL REQUEST IN USE	OPEN CIRCUIT
O FC45-11	DRIVER MIRROR UP / DOWN MOTOR	B+ (UP)	
O FC45-12	STEERING COLUMN REACH MOTOR	B+ (IN)	GROUND
O FC45-13	DRIVER MIRROR RIGHT / LEFT MOTOR	B+ (RIGHT)	GROUND
O FC45-14	STEERING COLUMN TILT MOTOR	B+ (DOWN)	GROUND
O FC45-15	STEERING COLUMN REACH MOTOR	B+ (OUT)	GROUND
SG FC45-16	COLUMN AND MIRROR POTENTIOMETER COMMON REFERENCE GROUND	GROUND	GROUND
I FC45-17	MEMORY 3 SWITCH REQUEST	B+	GROUND
I FC45-18	MEMORY 2 SWITCH REQUEST	B+	GROUND
I FC45-19	MEMORY 1 SWITCH REQUEST	B+	GROUND
I FC45-20	MEMORY SET SWITCH REQUEST	B+	GROUND
I FC45-22	KEY IN IGNITION SWITCH SIGNAL	GROUND	B+
I FC45-23	IGNITION SWITCHED GROUND	GROUND	B+
O FC45-24	COLUMN AND MIRROR POTENTIOMETER COMMON REFERENCE VOLTAGE	5 V	5 V
O FC45-25	PASSENGER MIRROR RIGHT / LEFT MOTOR	B+ (RIGHT)	GROUND
O FC45-26	DRIVER AND PASSENGER MIRROR MOTORS COMMON	B+ (LEFT), GROUND (RIGHT)	GROUND
I FC46-1	DRIVER MIRROR RIGHT / LEFT POTENTIOMETER FEEDBACK	0.5 V (LEFT), 4 V (RIGHT)	
I FC46-2	PASSENGER MIRROR UP / DOWN POTENTIOMETER FEEDBACK	0.5 V (DOWN), 4 V (UP)	
I FC46-3	DRIVER MIRROR UP / DOWN POTENTIOMETER FEEDBACK	0.5 V (DOWN), 4 V (UP)	
I FC46-4	STEERING COLUMN TILT POTENTIOMETER FEEDBACK	0.5 V (DOWN), 4 V (UP)	
I FC46-5	STEERING COLUMN REACH POTENTIOMETER FEEDBACK	0.5 V (OUT), 4 V (IN)	
I FC46-6	IGNITION VOLTAGE	B+	GROUND
I FC46-7	AUTO / MANUAL TILT SELECTION SWITCH	GROUND - AUTO	B+ - OFF
I FC46-8	NOT IN PARK	GROUND	B+
I FC46-9	HANDBRAKE ON	GROUND	B+
I FC46-10	DRIVER DOOR AJAR	GROUND	7.9 V
I FC46-11	REMOTE SEAT / MIRROR / COLUMN REQUEST	GROUND PULSE	B+
D FC47-4	SERIAL COMMUNICATION OUTPUT		
D FC47-5	SERIAL COMMUNICATION INPUT		

The following symbols are used to represent values for Control Module Pin Out data:

I	Input	B+	Battery voltage
O	Output	V	Voltage (DC)
SG	Signal Ground	Hz	Frequency
D	Serial and encoded communications	KHz	Frequency x 1000
		MS	Milliseconds
		MV	Millivolts

CAUTION: The information on this data page is furnished to aid the user in understanding circuit operation. THIS INFORMATION SHOULD BE USED FOR REFERENCE ONLY.

NOTE: The values listed are approximately those that can be expected at the control module connector pins with all circuit connections made and all components connected and fitted. "Active" means a load is applied or a switch is ON; "Inactive" means a load is not applied or a switch is OFF.

Fig. 13.2

COMPONENTS

Component	Connector / Type / Color	Location / Access
AUTO TILT SWITCH (COLUMN SWITCHGEAR) COLUMN / MIRROR MOVEMENT CONTROL MODULE	SC5 (FLY LEAD) / 8-WAY GROTE AND HARTMAN / BLACK FC45 / 26-WAY MULTILOCK 47 / SLATE FC46 / 16-WAY MULTILOCK 47 / SLATE FC47 / 12-WAY MULTILOCK 47 / SLATE	STEERING COLUMN / COVER RH UNDERSCUTTLE
COLUMN JOYSTICK (COLUMN SWITCHGEAR) DOOR MIRROR MOTORS - DRIVER DOOR MIRROR MOTORS - PASSENGER DOOR SWITCH - DRIVER DOOR SWITCH PACK - DRIVER	SC5 (FLY LEAD) / 8-WAY GROTE AND HARTMAN / BLACK DD10 (FLY LEAD) / 12-WAY MULTILOCK 040 / BLACK PD10 (FLY LEAD) / 12-WAY MULTILOCK 040 / BLACK DD3 / 13-WAY ECONOSEAL III LC / BLACK DD1 / 12-WAY MULTILOCK 47 / WHITE DD2 / 22-WAY MULTILOCK 47 / WHITE	STEERING COLUMN / COVER MIRROR ASSEMBLY MIRROR ASSEMBLY DOOR CASING ARM REST / TOP ROLL
HAND BRAKE SWITCH IGNITION SWITCH LINEAR GEAR POSITION SWITCHES NOT IN-PARK MICROSWITCH REVERSE SWITCH (AJ18 MANUAL) ROTARY SWITCH	CC52 / 2-WAY MULTILOCK 040 / BLACK FC54 (FLY LEAD) / 8-WAY MULTILOCK 070 / WHITE CC21 / 20-WAY MULTILOCK 040 / BLACK CC42 (FLY LEAD) / 2-WAY MULTILOCK 040 / BLACK CC45 / 2-WAY SUMITOMO / WHITE GB1 (FLY LEAD) / 8-WAY MULTILOCK 070 / WHITE GB2 (FLY LEAD) / 12-WAY MULTILOCK 040 / BLACK FC49 (FLY LEAD) / 8-WAY MULTILOCK 070 / WHITE FC50 (FLY LEAD) / 8-WAY MULTILOCK 070 / YELLOW	CENTER CONSOLE, LH SIDE STEERING COLUMN / COVER 'J' GATE / CENTER CONSOLE 'J' GATE / CENTER CONSOLE TRANSMISSION TUNNEL / CENTER CONSOLE 'J' GATE / CENTER CONSOLE
STEERING COLUMN MOTORS		STEERING COLUMN / DRIVER'S UNDERSCUTTLE

HARNESS-TO-HARNESS CONNECTORS

Connector	Type / Color	Location / Access
CA8	20-WAY MULTILOCK 040 / GREEN	DRIVER'S 'A' POST / 'A' POST TRIM
CA9	20-WAY MULTILOCK 040 / BLACK	DRIVER'S 'A' POST / 'A' POST TRIM
CA10	8-WAY MULTILOCK 070 / WHITE	DRIVER'S 'A' POST / 'A' POST TRIM
CA11	20-WAY MULTILOCK 040 / BLACK	PASSENGER'S UNDERSCUTTLE / ECM
CA12	15-WAY MULTILOCK 070 / WHITE	PASSENGER'S UNDERSCUTTLE / ECM
CC3	20-WAY MULTILOCK 040 / BLACK	CENTER CONSOLE / CENTER CONSOLE GLOVE BOX
FC4	20-WAY MULTILOCK 040 / BLUE	DRIVER'S UNDERSCUTTLE
FC5	THROUGH-PANEL (48 MICRO / 6) / BLACK	LH FASCIA END PANEL / OUTER AIR VENT
FC6	THROUGH-PANEL (48 MICRO / 6) / BLACK	RH FASCIA END PANEL / OUTER AIR VENT
FC7	THROUGH-PANEL (48 MICRO / 6) / BLACK	PASSENGER'S UNDERSCUTTLE
FC16	20-WAY MULTILOCK 040 / BLACK	PASSENGER'S UNDERSCUTTLE

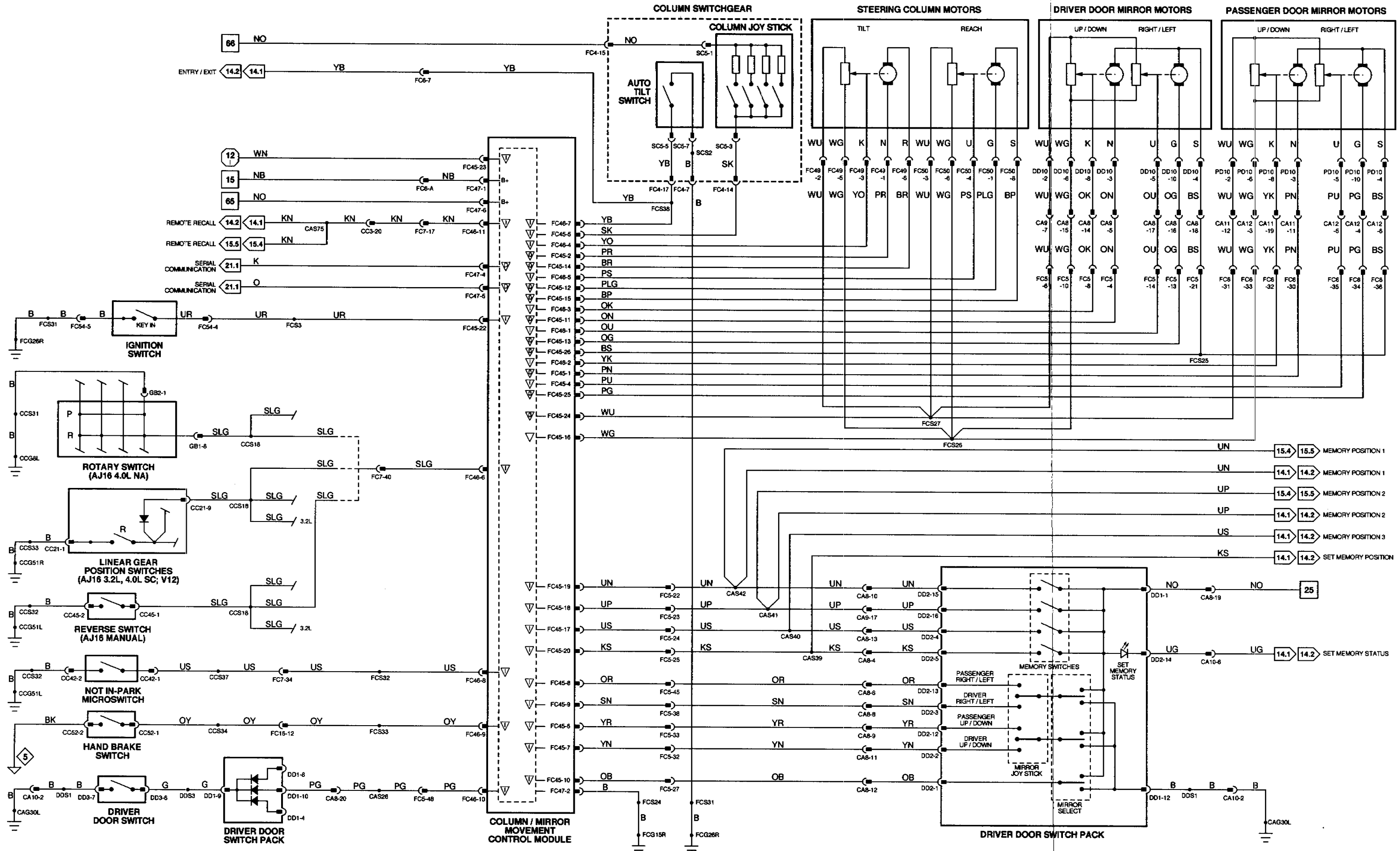
GROUNDS

Ground	Location / Type
CAG30L	LH 'A' POST GROUND SCREW
CCG51L	CENTER CONSOLE GROUND STUD
CCG51R	CENTER CONSOLE GROUND STUD
CCG8L	CENTER CONSOLE GROUND STUD
FCG15R	LH CONSOLE GROUND STUD
FCG26R	LH CONSOLE GROUND STUD

CONTROL MODULE PIN OUT INFORMATION (FOLD OUT PAGE)



REFER TO THE FRONT OF THE BOOK FOR ILLUSTRATIONS DETAILING THE LOCATION AND IDENTIFICATION OF COMPONENTS, RELAYS, CONNECTORS, HARNESSSES, GROUNDS, VEHICLE CONTROL MODULES AND CONTROL MODULE PINS.



CONTROL MODULE PIN OUT INFORMATION

COLUMN / MIRROR MOVEMENT CONTROL MODULE

Pin	Description	Active	Inactive
O FC45-1	PASSENGER MIRROR UP / DOWN MOTOR	B+ (UP)	GROUND
O FC45-2	STEERING COLUMN TILT MOTOR	B+ (UP)	GROUND
I FC45-4	PASSENGER MIRROR RIGHT / LEFT POTENTIOMETER FEEDBACK	0.5 V (LEFT), 4 V (RIGHT)	
I FC45-5	STEERING COLUMN MOVEMENT JOYSTICK	6.8 V (OUT), 8.5 V (IN) 10.1 V (UP), 12.1 V (DOWN)	GROUND
I FC45-6	PASSENGER MIRROR UP / DOWN REQUEST	B+ (UP), GROUND (DOWN)	OPEN CIRCUIT
I FC45-7	DRIVER MIRROR UP / DOWN REQUEST	B+ (UP), GROUND (DOWN)	OPEN CIRCUIT
I FC45-8	PASSENGER MIRROR RIGHT / LEFT REQUEST	B+ (RIGHT), GROUND (LEFT)	OPEN CIRCUIT
I FC45-9	DRIVER MIRROR RIGHT / LEFT REQUEST	B+ (RIGHT), GROUND (LEFT)	OPEN CIRCUIT
I FC45-10	MIRROR SELECT	SAME AS DIRECTIONAL REQUEST IN LSE	OPEN CIRCUIT
O FC45-11	DRIVER MIRROR UP / DOWN MOTOR	B+ (UP)	
O FC45-12	STEERING COLUMN REACH MOTOR	B+ (IN)	GROUND
O FC45-13	DRIVER MIRROR RIGHT / LEFT MOTOR	B+ (RIGHT)	GROUND
O FC45-14	STEERING COLUMN TILT MOTOR	B+ (DOWN)	GROUND
O FC45-15	STEERING COLUMN REACH MOTOR	B+ (OUT)	GROUND
SG FC45-16	COLUMN AND MIRROR POTENTIOMETER COMMON REFERENCE GROUND	GROUND	GROUND
I FC45-17	MEMORY 3 SWITCH REQUEST	B+	GROUND
I FC45-18	MEMORY 2 SWITCH REQUEST	B+	GROUND
I FC45-19	MEMORY 1 SWITCH REQUEST	B+	GROUND
I FC45-20	MEMORY SET SWITCH REQUEST	B+	GROUND
I FC45-22	KEY IN IGNITION SWITCH SIGNAL	GROUND	B+
I FC45-23	IGNITION SWITCHED GROUND	GROUND	B+
O FC45-24	COLUMN AND MIRROR POTENTIOMETER COMMON REFERENCE VOLTAGE	5 V	5 V
O FC45-25	PASSENGER MIRROR RIGHT / LEFT MOTOR	B+ (RIGHT)	GROUND
O FC45-26	DRIVER AND PASSENGER MIRROR MOTORS COMMON	B+ (LEFT), GROUND (RIGHT)	GROUND
I FC46-1	DRIVER MIRROR RIGHT / LEFT POTENTIOMETER FEEDBACK	0.5 V (LEFT), 4 V (RIGHT)	
I FC46-2	PASSENGER MIRROR UP / DOWN POTENTIOMETER FEEDBACK	0.5 V (DOWN), 4 V (UP)	
I FC46-3	DRIVER MIRROR UP / DOWN POTENTIOMETER FEEDBACK	0.5 V (DOWN), 4 V (UP)	
I FC46-4	STEERING COLUMN TILT POTENTIOMETER FEEDBACK	0.5 V (DOWN), 4 V (UP)	
I FC46-5	STEERING COLUMN REACH POTENTIOMETER FEEDBACK	0.5 V (OUT), 4 V (IN)	
I FC46-6	IGNITION VOLTAGE	B+	GROUND
I FC46-7	AUTO / MANUAL TILT SELECTION SWITCH	GROUND = AUTO	B+ = OFF
I FC46-8	NOT IN PARK	GROUND	B+
I FC46-9	HANDBRAKE ON	GROUND	B+
I FC46-10	DRIVER DOOR AJAR	GROUND	7.9 V
I FC46-11	REMOTE SEAT / MIRROR / COLUMN REQUEST	GROUND PULSE	B+
D FC47-4	SERIAL COMMUNICATION OUTPUT		
D FC47-5	SERIAL COMMUNICATION INPUT		

The following symbols are used to represent values for Control Module Pin Out data:

I	Input	B+	Battery voltage
O	Output	V	Voltage (DC)
SG	Signal Ground	Hz	Frequency
D	Serial and encoded communications	KHz	Frequency x 1000
		MS	Milliseconds
		MV	Millivolts

CAUTION: The information on this data page is furnished to aid the user in understanding circuit operation. THIS INFORMATION SHOULD BE USED FOR REFERENCE ONLY.

NOTE: The values listed are approximately those that can be expected at the control module connector pins with all circuit connections made and all components connected and fitted. "Active" means a load is applied or a switch is ON; "Inactive" means a load is not applied or a switch is OFF.

COMPONENTS

Component	Connector / Type / Color	Location / Access
AUTO TILT SWITCH (COLUMN SWITCHGEAR)	SC5 (FLY LEAD) / 8-WAY GROTE AND HARTMAN / BLACK	STEERING COLUMN / COVER
COLUMN / MIRROR MOVEMENT CONTROL MODULE	FC45 / 28-WAY MULTILOCK 47 / SLATE FC46 / 16-WAY MULTILOCK 47 / SLATE FC47 / 12-WAY MULTILOCK 47 / SLATE	RH UNDERSCUTTLE
COLUMN JOYSTICK (COLUMN SWITCHGEAR)	SC5 (FLY LEAD) / 8-WAY GROTE AND HARTMAN / BLACK	STEERING COLUMN / COVER
DOOR MIRROR MOTORS - DRIVER	DD10 (FLY LEAD) / 12-WAY MULTILOCK 040 / BLACK	MIRROR ASSEMBLY
DOOR MIRROR MOTORS - PASSENGER	PD10 (FLY LEAD) / 12-WAY MULTILOCK 040 / BLACK	MIRROR ASSEMBLY
DOOR SWITCH - DRIVER	DD3 / 13-WAY ECONOSEAL III LC / BLACK	DOOR CASING
DOOR SWITCH PACK - DRIVER	DD1 / 12-WAY MULTILOCK 47 / WHITE DD2 / 22-WAY MULTILOCK 47 / WHITE	ARM REST / TOP ROLL
HAND BRAKE SWITCH	CC52 / 2-WAY MULTILOCK 040 / BLACK	CENTER CONSOLE, LH SIDE
IGNITION SWITCH	FC54 (FLY LEAD) / 8-WAY MULTILOCK 070 / WHITE	STEERING COLUMN / COVER
LINEAR GEAR POSITION SWITCHES	CC21 / 20-WAY MULTILOCK 040 / BLACK	'J' GATE / CENTER CONSOLE
NOT IN-PARK MICROSWITCH	CC42 (FLY LEAD) / 2-WAY MULTILOCK 040 / BLACK	'J' GATE / CENTER CONSOLE
REVERSE SWITCH (AJ16 MANUAL)	CC45 / 2-WAY SUMITOMO / WHITE	TRANSMISSION TUNNEL / CENTER CONSOLE
ROTARY SWITCH	GB1 (FLY LEAD) / 8-WAY MULTILOCK 070 / WHITE GB2 (FLY LEAD) / 12-WAY MULTILOCK 040 / BLACK	'J' GATE / CENTER CONSOLE
STEERING COLUMN MOTORS	FC49 (FLY LEAD) / 8-WAY MULTILOCK 070 / WHITE FC50 (FLY LEAD) / 8-WAY MULTILOCK 070 / YELLOW	STEERING COLUMN / DRIVER'S UNDERSCUTTLE

HARNESSTO-HARNESSTO CONNECTORS

Connector	Type / Color	Location / Access
CA8	20-WAY MULTILOCK 040 / GREEN	DRIVER'S 'A' POST / 'A' POST TRIM
CA9	20-WAY MULTILOCK 040 / BLACK	DRIVER'S 'A' POST / 'A' POST TRIM
CA10	8-WAY MULTILOCK 070 / WHITE	DRIVER'S 'A' POST / 'A' POST TRIM
CA11	20-WAY MULTILOCK 040 / BLACK	PASSENGER'S UNDERSCUTTLE / ECM
CA12	15-WAY MULTILOCK 070 / WHITE	PASSENGER'S UNDERSCUTTLE / ECM
CC3	20-WAY MULTILOCK 040 / BLACK	CENTER CONSOLE / CENTER CONSOLE GLOVE BOX
FC4	20-WAY MULTILOCK 040 / BLUE	DRIVER'S UNDERSCUTTLE
FC5	THROUGH-PANEL (48 MICRO / 8) / BLACK	LH FASCIA END PANEL / OUTER AIR VENT
FC6	THROUGH-PANEL (48 MICRO / 8) / BLACK	RH FASCIA END PANEL / OUTER AIR VENT
FC7	THROUGH-PANEL (48 MICRO / 8) / BLACK	PASSENGER'S UNDERSCUTTLE
FC16	20-WAY MULTILOCK 040 / BLACK	PASSENGER'S UNDERSCUTTLE

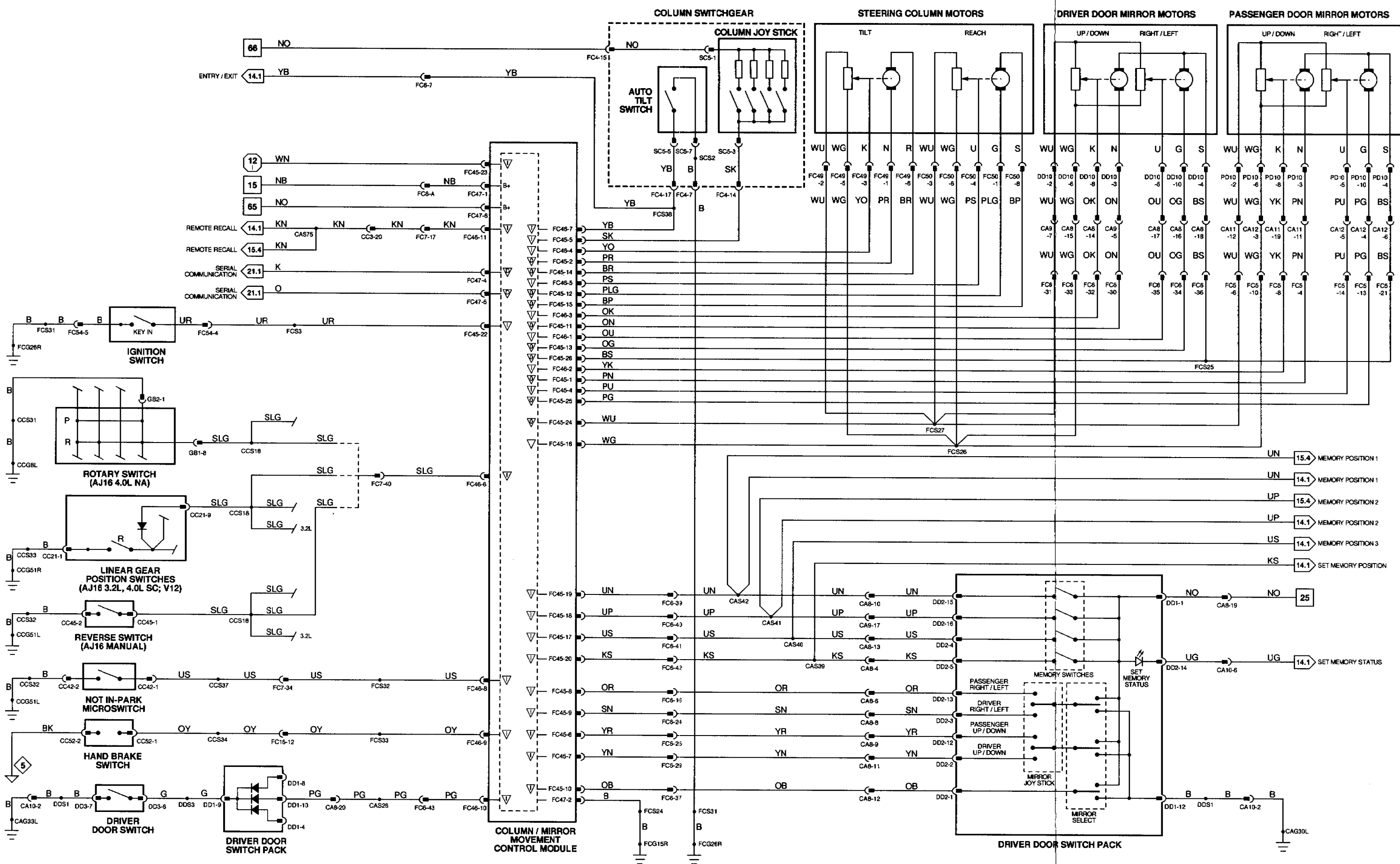
GROUNDS

Ground	Location / Type
CAG33L	RH HEELBOARD GROUND SCREW
CCG51L	CENTER CONSOLE GROUND STUD
CCG51R	CENTER CONSOLE GROUND STUD
CCG8L	CENTER CONSOLE GROUND STUD
FCG15R	LH CONSOLE GROUND STUD
FCG26R	LH CONSOLE GROUND STUD

CONTROL MODULE PIN OUT INFORMATION (FOLD OUT PAGE)



REFER TO THE FRONT OF THE BOOK FOR ILLUSTRATIONS DETAILING THE LOCATION AND IDENTIFICATION OF COMPONENTS, RELAYS, CONNECTORS, HARNESSES, GROUNDS, VEHICLE CONTROL MODULES AND CONTROL MODULE PINS.



1-6 Fig. 01.1 7-66 Fig. 01.2 67-109 Fig. 01.3 I II Fig. 01.4 III IV V Fig. 02.1 VI VII VIII Fig. 02.2 Input Output Serial and Encoded Communications Signal Ground (SG)

VARIANT: RHD Memory Vehicles
 VIN RANGE: 746613 →
 DATE OF ISSUE: NOVEMBER 1995

Fig. 13.4**COMPONENTS**

Component	Connector / Type / Color	Location / Access
DOOR MIRROR MOTORS - DRIVER	DD10 (FLY LEAD) / 12-WAY MULTILOCK 040 / BLACK	MIRROR ASSEMBLY
DOOR MIRROR MOTORS - PASSENGER	PD10 (FLY LEAD) / 12-WAY MULTILOCK 040 / BLACK	MIRROR ASSEMBLY
DOOR SWITCH PACK - DRIVER	DD1 / 12-WAY MULTILOCK 47 / WHITE DD2 / 22-WAY MULTILOCK 47 / WHITE	ARM REST / TOP ROLL

HARNESS-TO-HARNESS CONNECTORS

Connector	Type / Color	Location / Access
CA8	20-WAY MULTILOCK 040 / GREEN	DRIVER'S 'A' POST / 'A' POST TRIM
CA9	20-WAY MULTILOCK 040 / BLACK	DRIVER'S 'A' POST / 'A' POST TRIM
CA10	8-WAY MULTILOCK 070 / WHITE	DRIVER'S 'A' POST / 'A' POST TRIM
CA11	20-WAY MULTILOCK 040 / BLACK	PASSENGER'S UNDERSCUTTLE / ECM
CA12	15-WAY MULTILOCK 070 / WHITE	PASSENGER'S UNDERSCUTTLE / ECM
FC5	THROUGH-PANEL (48 MICRO / 6) / BLACK	LH FASCIA END PANEL / OUTER AIR VENT
FC6	THROUGH-PANEL (48 MICRO / 6) / BLACK	RH FASCIA END PANEL / OUTER AIR VENT

GROUNDS

Ground	Location / Type
CAG30L	LH 'A' POST GROUND SCREW

REFER TO THE FRONT OF THE BOOK FOR ILLUSTRATIONS DETAILING THE LOCATION AND IDENTIFICATION OF COMPONENTS, RELAYS, CONNECTORS, HARNESES, GROUNDS, VEHICLE CONTROL MODULES AND CONTROL MODULE PINS.

DATE OF ISSUE: NOVEMBER 1995

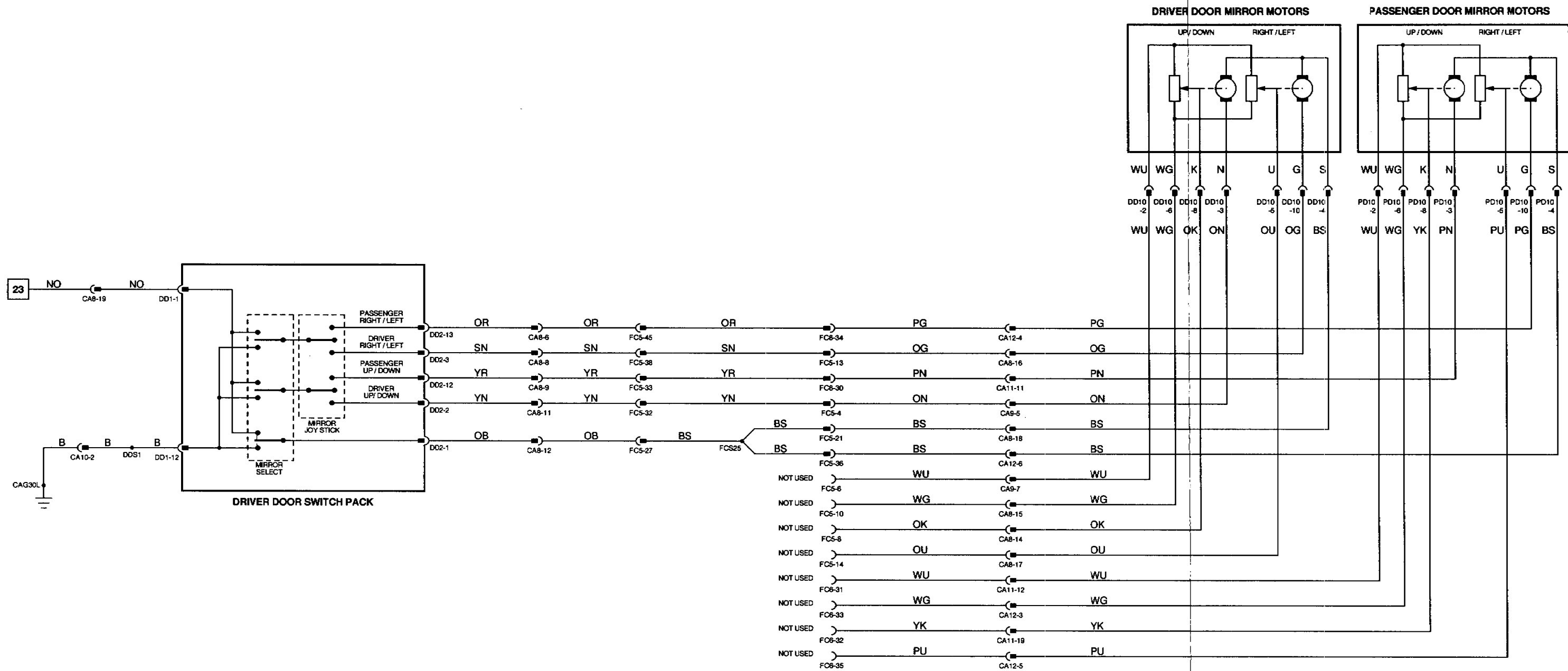


Fig. 13.5**COMPONENTS**

Component	Connector / Type / Color	Location / Access
DOOR MIRROR MOTORS - DRIVER	DD10 (FLY LEAD) / 12-WAY MULTILOCK 040 / BLACK	MIRROR ASSEMBLY
DOOR MIRROR MOTORS - PASSENGER	PD10 (FLY LEAD) / 12-WAY MULTILOCK 040 / BLACK	MIRROR ASSEMBLY
DOOR SWITCH PACK - DRIVER	DD1 / 12-WAY MULTILOCK 47 / WHITE DD2 / 22-WAY MULTILOCK 47 / WHITE	ARM REST / TOP ROLL

HARNESS-TO-HARNESS CONNECTORS

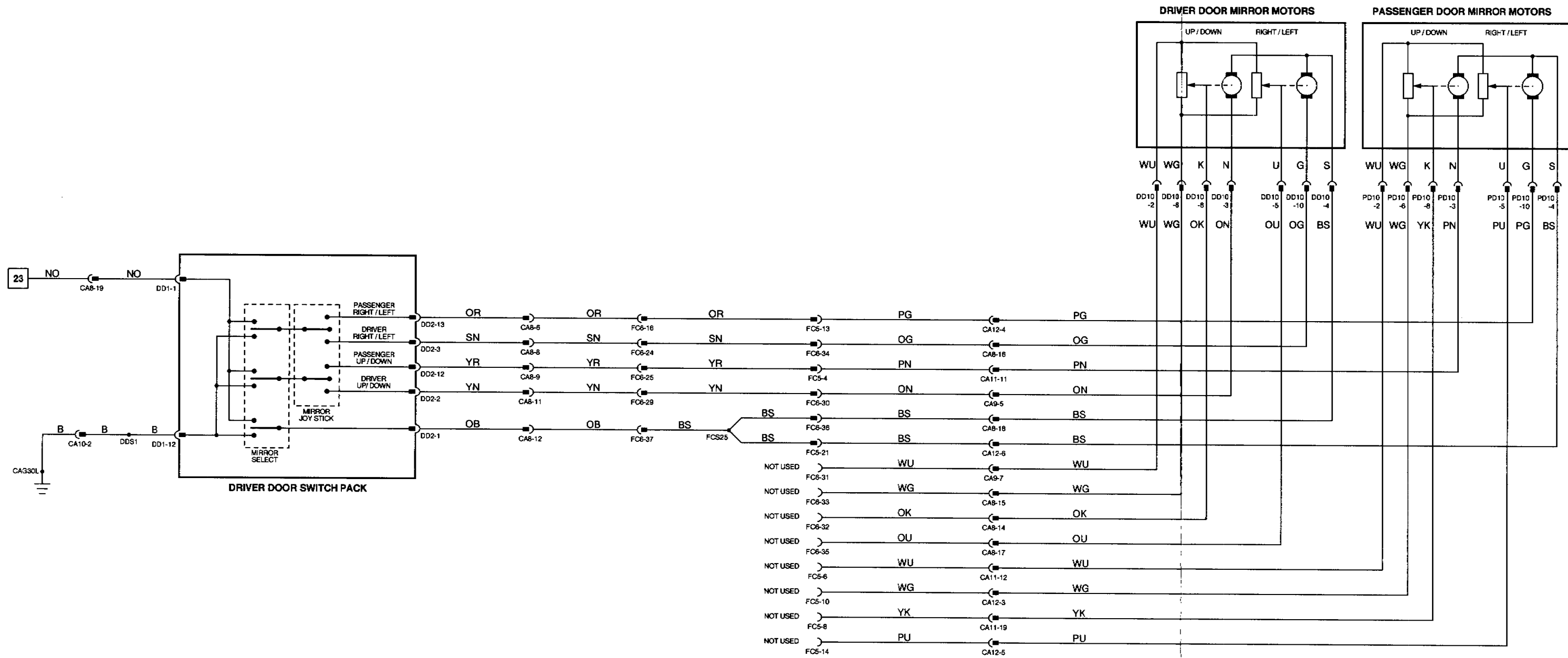
Connector	Type / Color	Location / Access
CA8	20-WAY MULTILOCK 040 / GREEN	DRIVER'S 'A' POST / 'A' POST TRIM
CA9	20-WAY MULTILOCK 040 / BLACK	DRIVER'S 'A' POST / 'A' POST TRIM
CA10	8-WAY MULTILOCK 070 / WHITE	DRIVER'S 'A' POST / 'A' POST TRIM
CA11	20-WAY MULTILOCK 040 / BLACK	PASSENGER'S UNDERSCUTTLE / ECM
CA12	15-WAY MULTILOCK 070 / WHITE	PASSENGER'S UNDERSCUTTLE / ECM
FC5	THROUGH-PANEL (48 MICRO / 6) / BLACK	LH FASCIA END PANEL / OUTER AIR VENT
FC6	THROUGH-PANEL (48 MICRO / 6) / BLACK	RH FASCIA END PANEL / OUTER AIR VENT

GROUNDS

Ground	Location / Type
CAG30L	LH 'A' POST GROUND SCREW

REFER TO THE FRONT OF THE BOOK FOR ILLUSTRATIONS DETAILING THE LOCATION AND IDENTIFICATION OF COMPONENTS, RELAYS, CONNECTORS, HARNESSSES, GROUNDS, VEHICLE CONTROL MODULES AND CONTROL MODULE PINS.

DATE OF ISSUE: NOVEMBER 1995



CONTROL MODULE PIN OUT INFORMATION

DRIVER SEAT CONTROL MODULE (ROW, MEMORY SEAT VEHICLES)

Pin	Description	Active	Inactive
O PL1-2D	SEAT HEATER ON (STATE)	B+	GROUND
I PL1-3D	IGNITION SWITCHED GROUND	GROUND	B+
I PL1-4D	MEMORY POSITION 1 REQUEST	B+	GROUND
I PL1-5D	MEMORY POSITION 2 REQUEST	B+	GROUND
I PL1-6D	MEMORY POSITION 3 REQUEST	B+	GROUND
O PL1-8D	SET MEMORY STATUS (STATE)	GROUND	B+
I PL1-9D	ENTRY / EXIT SIGNAL	GROUND	B+
I PL1-10D	SEAT HEATER REQUEST	GROUND	B+
I PL1-12D	REMOTE RECALL REQUEST	GROUND PULSE ON UNLOCK	B+
I PL1-13D	NOT IN PARK	GROUND	B+
I PL1-14D	HANDBRAKE ON	GROUND	B+
I PL1-15D	KEY IN IGNITION	GROUND	B+
O PL1-16D	MEMORY SET	GROUND	B+
I PL1-18D	BRAKE SWITCH	GROUND	B+
I PL1-21D	SEAT MEMORY POSITION REQUEST	B+	GROUND
I PL1-22D	DRIVER'S DOOR AJAR	GROUND	7.9 V
D PL2-1D	SERIAL COMMUNICATION INPUT		
D PL2-2D	SERIAL COMMUNICATION OUTPUT		
O SM1-1D	SQUAB RECLINE FORE / AFT MOTOR	B+ (AFT)	GROUND
O SM1-2D	SQUAB RECLINE FORE / AFT MOTOR	B+ (FORE)	GROUND
O SM1-3D	SEAT FRONT RAISE / LOWER MOTOR	B+ (RAISE)	GROUND
O SM1-4D	SEAT FRONT RAISE / LOWER MOTOR	B+ (LOWER)	GROUND
O SM1-5D	SEAT REAR RAISE / LOWER MOTOR	B+ (RAISE)	GROUND
O SM1-6D	SEAT REAR RAISE / LOWER MOTOR	B+ (LOWER)	GROUND
O SM1-7D	SEAT FORE / AFT MOTOR	B+ (AFT)	GROUND
O SM1-8D	SEAT FORE / AFT MOTOR	B+ (FORE)	GROUND
I SM1-9D	COMMON GROUND	GROUND	GROUND
O SM1-10D	HEATER ELEMENT SUPPLY	B+	GROUND
O SM1-11D	HEADREST RAISE / LOWER MOTOR	B+ (RAISE)	GROUND
O SM1-12D	HEADREST RAISE / LOWER MOTOR	B+ (LOWER)	GROUND
O SM6-1D	POTENTIOMETER COMMON REFERENCE VOLTAGE	5 V	5 V
SG SM6-2D	POTENTIOMETER COMMON REFERENCE GROUND	GROUND	GROUND
O SM6-3D	HEADREST POTENTIOMETER FEEDBACK	0.5 V (DOWN), 4 V (UP)	
O SM6-4D	SQUAB RECLINE POTENTIOMETER FEEDBACK	0.5 V (BACK), 4 V (FORWARD)	
O SM6-5D	SEAT FORE / AFT POTENTIOMETER FEEDBACK	0.5 V (BACK), 4 V (FORWARD)	
O SM6-6D	SEAT REAR RAISE / LOWER POTENTIOMETER FEEDBACK	0.5 V (LOWER), 4 V (RAISE)	
O SM6-7D	SEAT FRONT RAISE / LOWER POTENTIOMETER FEEDBACK	0.5 V (LOWER), 4 V (RAISE)	
I SM6-8D	RECLINE AFT MOVEMENT REQUEST	B+	GROUND
I SM6-9D	SEAT AFT MOVEMENT REQUEST	B+	GROUND
I SM6-10D	SEAT FORE MOVEMENT REQUEST	B+	GROUND
O SM6-11D	LUMBAR SWITCH POWER SUPPLY	B+	B+
I SM6-14D	HEADREST LOWER MOVEMENT REQUEST	B+	GROUND
I SM6-15D	HEADREST RAISE MOVEMENT REQUEST	B+	GROUND
I SM6-16D	SEAT REAR LOWER MOVEMENT REQUEST	B+	GROUND
I SM6-17D	SEAT REAR RAISE MOVEMENT REQUEST	B+	GROUND
I SM6-18D	SEAT FRONT LOWER MOVEMENT REQUEST	B+	GROUND
I SM6-19D	SEAT FRONT RAISE MOVEMENT REQUEST	B+	GROUND
I SM6-20D	RECLINE FORE MOVEMENT REQUEST	B+	GROUND

BODY PROCESSOR MODULE

Pin	Description	Active	Inactive
O FC1-23	DRIVER SEAT HEATER ON	GROUND	B+
I FC2-38	DRIVER SEAT HEATER REQUEST	GROUND	B+

The following symbols are used to represent values for Control Module Pin Out data:

I	Input	B+	Battery voltage
O	Output	V	Voltage (DC)
SG	Signal Ground	Hz	Frequency
D	Serial and encoded communications	KHz	Frequency x 1000
		MS	Milliseconds
		MV	Millivolts

CAUTION: The information on this data page is furnished to aid the user in understanding circuit operation. THIS INFORMATION SHOULD BE USED FOR REFERENCE ONLY.

NOTE: The values listed are approximately those that can be expected at the control module connector pins with all circuit connections made and all components connected and fitted. "Active" means a load is applied or a switch is ON; "Inactive" means a load is not applied or a switch is OFF.

COMPONENTS

Component	Connector / Type / Color	Location / Access
BODY PROCESSOR MODULE	FC1 / 48-WAY PCB SIGNAL / YELLOW FC2 / 48-WAY PCB SIGNAL / BLACK FC3 / 6-WAY PCB SIGNAL / BLACK	PASSENGER'S UNDERSCUTTLE
BRAKE SWITCH	CA72 / 4-WAY MULTILOCK 070 / WHITE	DRIVER'S UNDERSCUTTLE
CENTER CONSOLE SWITCH PACK	CC1 / 16-WAY MULTILOCK 040 / BLACK	CENTER CONSOLE
DOOR SWITCH - DRIVER	DD3 / 13-WAY ECONOSEAL III LC / BLACK	DOOR CASING
DOOR SWITCH PACK - DRIVER	DD1 / 12-WAY MULTILOCK 47 / WHITE DD2 / 22-WAY MULTILOCK 47 / WHITE	ARM REST / TOP ROLL
SEAT CONTROL MODULE - DRIVER (ROW, MEMORY SEAT VEHICLES)	PL1 / 22-WAY MULTILOCK 47 / BLUE PL2 / 12-WAY MULTILOCK 47 / BLUE SM1-D / 12-WAY MULTILOCK 47 / WHITE SM6-D / 22-WAY MULTILOCK 47 / WHITE	DRIVER'S SEAT
SEAT CUSHION - DRIVER	SM7-D / 3-WAY MULTILOCK 070 / YELLOW	DRIVER'S SEAT / UNDER
SEAT LUMBAR PUMP - DRIVER	SM10-D / 3-WAY MULTILOCK 070 / YELLOW	DRIVER'S SEAT / SQUAB
SEAT MOTORS - DRIVER	SM2-D / 6-WAY MULTILOCK 070 / WHITE SM3-D / 6-WAY MULTILOCK 070 / YELLOW SM4-D / 6-WAY MULTILOCK 070 / SLATE SM11-D / 6-WAY MULTILOCK 070 / WHITE SM13-D / 6-WAY MULTILOCK 070 / YELLOW	DRIVER'S SEAT / UNDER DRIVER'S SEAT / UNDER DRIVER'S SEAT / UNDER DRIVER'S SEAT / SQUAB DRIVER'S SEAT / SQUAB
SEAT SWITCH PACK - DRIVER	SM5-D / 16-WAY MULTILOCK 040 / BLACK	DRIVER'S SEAT
SQUAB - DRIVER	SM9-D / 3-WAY MULTILOCK 070 / SLATE	DRIVER'S SEAT
HANDBRAKE SWITCH	CC52 / 2-WAY MULTILOCK 040 / BLACK	CENTER CONSOLE, LH SIDE
IGNITION SWITCH	FC54 (FLY LEAD) / 8-WAY MULTILOCK 070 / WHITE	STEERING COLUMN / COVER
NOT IN-PARK MICROSWITCH	CC42 (FLY LEAD) / 2-WAY MULTILOCK 040 / BLACK	'J' GATE / CENTER CONSOLE

HARNESSTO-HARNESST CONNECTORS

Connector	Type / Color	Location / Access
CAB	20-WAY MULTILOCK 040 / GREEN	DRIVER'S 'A' POST / 'A' POST TRIM
CA9	20-WAY MULTILOCK 040 / BLACK	DRIVER'S 'A' POST / 'A' POST TRIM
CA10	8-WAY MULTILOCK 070 / WHITE	DRIVER'S 'A' POST / 'A' POST TRIM
CA23	20-WAY MULTILOCK 040 / BLACK	DRIVER'S SEAT / UNDER
CA24	8-WAY MULTILOCK 070 / WHITE	DRIVER'S SEAT / UNDER
CC3	20-WAY MULTILOCK 040 / BLACK	CENTER CONSOLE / CENTER CONSOLE GLOVE BOX
CC4	14-WAY MULTILOCK 070 / WHITE	CENTER CONSOLE / CENTER CONSOLE GLOVE BOX
CC5	20-WAY MULTILOCK 040 / GREEN	CENTER CONSOLE / CENTER CONSOLE GLOVE BOX
FC5	THROUGH-PANEL 148 MICRO / 6 / BLACK	LH FASCIA END PANEL / OUTER AIR VENT
FC6	THROUGH-PANEL 148 MICRO / 6 / BLACK	RH FASCIA END PANEL / OUTER AIR VENT
FC7	THROUGH-PANEL 148 MICRO / 6 / BLACK	PASSENGER'S UNDERSCUTTLE

GROUNDS

Ground	Location / Type
CAG30L	LH 'A' POST GROUND SCREW
CAG30R	LH 'A' POST GROUND SCREW
CAG33L	RH HEELBOARD GROUND SCREW
CAG33R	RH HEELBOARD GROUND SCREW
CCG51L	CENTER CONSOLE GROUND STUD
FCG15L	LH CONSOLE GROUND STUD
FCG26R	LH CONSOLE GROUND STUD
PLG3L	LH SEAT GROUND SCREW
PLG3R	LH SEAT GROUND SCREW

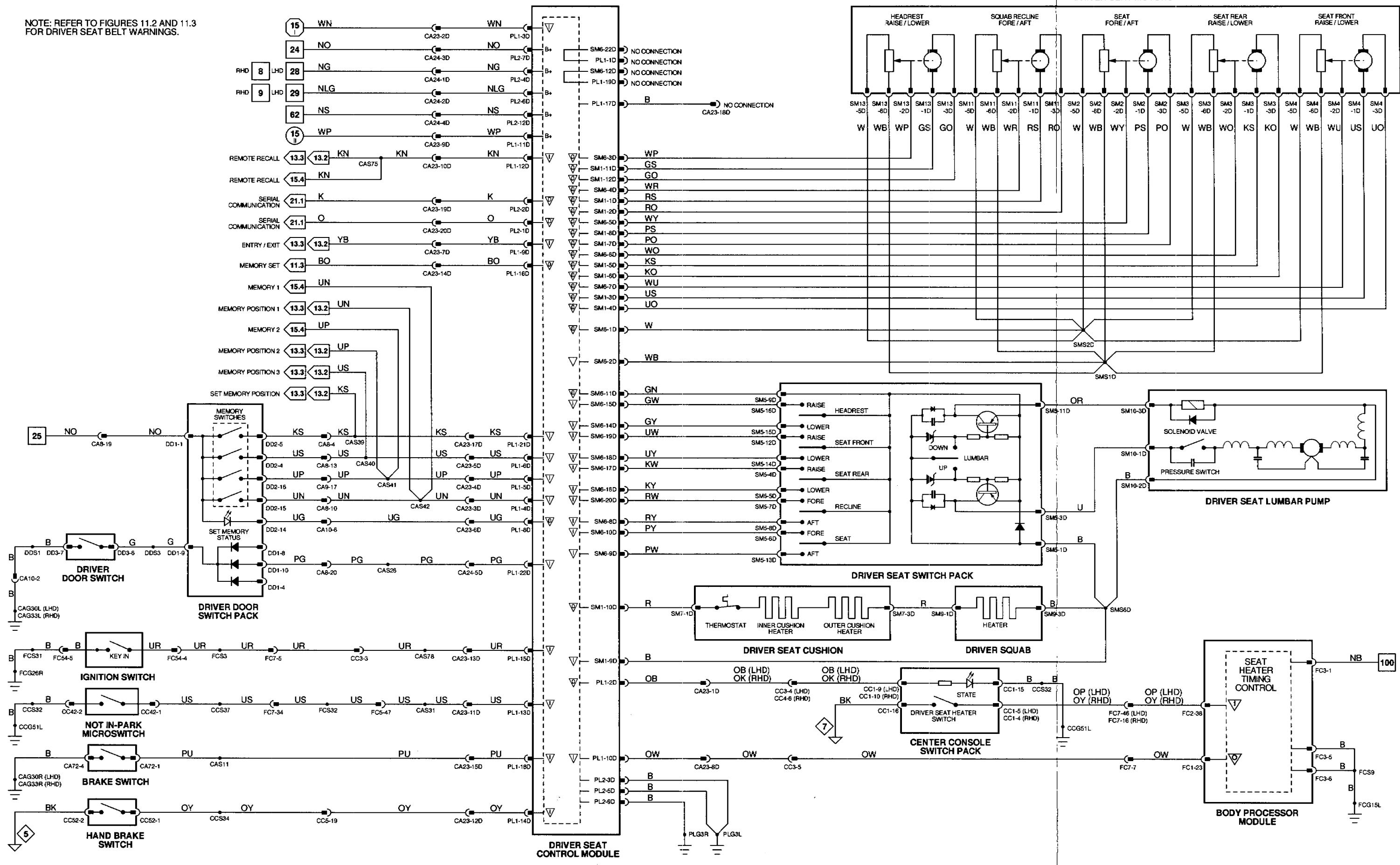
CONTROL MODULE PIN OUT INFORMATION (FOLD OUT PAGE)



REFER TO THE FRONT OF THE BOOK FOR ILLUSTRATIONS DETAILING THE LOCATION AND IDENTIFICATION OF COMPONENTS, RELAYS, CONNECTORS, HARNESSES, GROUNDS, VEHICLE CONTROL MODULES AND CONTROL MODULE PINS.



NOTE: REFER TO FIGURES 11.2 AND 11.3 FOR DRIVER SEAT BELT WARNINGS.



1 - 6 Fig. 01.1
 7 - 66 Fig. 01.2
 67 - 109 Fig. 01.3
 ○ I ○ II Fig. 01.4
 ○ I ○ II Fig. 02.1
 ◇ Fig. 02.2
 ▽ Input
 ▽ Output
 ▽ Serial and Encoded Communications
 ▽ Signal Ground (SG)

VARIANT: ROW Memory Seat Vehicles
VIN RANGE: 746613 →
DATE OF ISSUE: NOVEMBER 1995

Fig. 14.2

CONTROL MODULE PIN OUT INFORMATION

DRIVER SEAT CONTROL MODULE (NAS VEHICLES)

Pin	Description	Active	Inactive
O CA105-2	SEAT HEATER ON LED	B+	GROUND
I CA105-3	IGNITION SWITCHED GROUND	GROUND	B+
I CA105-4	MEMORY POSITION 1 REQUEST	B+	GROUND
I CA105-5	MEMORY POSITION 2 REQUEST	B+	GROUND
I CA105-6	MEMORY POSITION 3 REQUEST	B+	GROUND
O CA105-8	SEAT MEMORY STATUS LED	GROUND	B+
I CA105-9	ENTRY / EXIT SIGNAL	GROUND	B+
I CA105-10	SEAT HEATER REQUEST	GROUND	B+
I CA105-12	REMOTE RECALL REQUEST	GROUND PULSE ON UNLOCK	B+
I CA105-13	NOT IN PARK SIGNAL	GROUND	B+
I CA105-14	PARK BRAKE ON SIGNAL	GROUND	B+
I CA105-15	KEY IN IGNITION SIGNAL	GROUND	B+
O CA105-16	MEMORY SET	GROUND	B+
I CA105-18	BRAKE SWITCH SIGNAL	GROUND	B+
I CA105-21	SET MEMORY POSITION REQUEST	B+	B+
I CA105-22	DRIVER DOOR AJAR	GROUND	7.9 V
D CA106-1	SERIAL COMMUNICATION INPUT		
D CA106-2	SERIAL COMMUNICATION OUTPUT		
O SM1-1D	SQUAB RECLINE FORE / AFT MOTOR	B+ (AFT)	GROUND
O SM1-2D	SQUAB RECLINE FORE / AFT MOTOR	B+ (FORE)	GROUND
O SM1-3D	SEAT FRONT / RAISE LOWER MOTOR	B+ (UP)	GROUND
O SM1-4D	SEAT FRONT / RAISE LOWER MOTOR	B+ (DOWN)	GROUND
O SM1-5D	SEAT REAR RAISE / LOWER MOTOR	B+ (UP)	GROUND
O SM1-6D	SEAT REAR RAISE / LOWER MOTOR	B+ (DOWN)	GROUND
O SM1-7D	SEAT FORE / AFT MOTOR	B+ (AFT)	GROUND
O SM1-8D	SEAT FORE / AFT MOTOR	B+ (FORE)	GROUND
I SM1-9D	COMMON GROUND	GROUND	GROUND
O SM1-10D	HEATER ELEMENT SUPPLY	B+	GROUND
O SM1-11D	HEADREST RAISE / LOWER MOTOR	B+ (RAISE)	GROUND
O SM1-12D	HEADREST RAISE / LOWER MOTOR	B+ (LOWER)	GROUND
O SM6-1D	POTENTIOMETER COMMON REFERENCE VOLTAGE	5 V	5 V
SG SM6-2D	POTENTIOMETER COMMON REFERENCE GROUND	GROUND	GROUND
O SM6-3D	HEADREST FEEDBACK VOLTAGE	0.5 V (DOWN), 4 V (UP)	
O SM6-4D	SQUAB RECLINE FEEDBACK VOLTAGE	0.5 V (BACK), 4 V (FORWARD)	
O SM6-5D	SEAT FORE / AFT FEEDBACK VOLTAGE	0.5 V (AFT), 4 V (FORE)	
O SM6-6D	SEAT REAR RAISE / LOWER FEEDBACK VOLTAGE	0.5 V (DOWN), 4 V (UP)	
O SM6-7D	SEAT FRONT RAISE / LOWER FEEDBACK VOLTAGE	0.5 V (DOWN), 4 V (UP)	
I SM6-8D	RECLINE AFT MOVEMENT REQUEST	B+	GROUND
I SM6-9D	SEAT AFT MOVEMENT REQUEST	B+	GROUND
I SM6-10D	SEAT FORE MOVEMENT REQUEST	B+	GROUND
O SM6-11D	LUMBAR SWITCH POWER SUPPLY	B+	B+
I SM6-14D	HEADREST LOWER MOVEMENT REQUEST	B+	GROUND
I SM6-15D	HEADREST RAISE MOVEMENT REQUEST	B+	GROUND
I SM6-16D	SEAT REAR LOWER MOVEMENT REQUEST	B+	GROUND
I SM6-17D	SEAT REAR RAISE MOVEMENT REQUEST	B+	GROUND
I SM6-18D	SEAT FRONT LOWER MOVEMENT REQUEST	B+	GROUND
I SM6-19D	SEAT FRONT RAISE MOVEMENT REQUEST	B+	GROUND
I SM6-20D	RECLINE FORE MOVEMENT REQUEST	B+	GROUND

BODY PROCESSOR MODULE

Pin	Description	Active	Inactive
O FC1-23	DRIVER SEAT HEATER ON	GROUND	B+
I FC2-38	DRIVER SEAT HEATER REQUEST	GROUND	B+

The following symbols are used to represent values for Control Module Pin Out data:

- I Input
- O Output
- SG Signal Ground
- D Serial and encoded communications
- B+ Battery voltage
- V Voltage (DC)
- Hz Frequency
- KHz Frequency x 1000
- MS Milliseconds
- MV Millivolts

CAUTION: The information on this data page is furnished to aid the user in understanding circuit operation. THIS INFORMATION SHOULD BE USED FOR REFERENCE ONLY.

NOTE: The values listed are approximately those that can be expected at the control module connector pins with all circuit connections made and all components connected and fitted. "Active" means a load is applied or a switch is ON; "Inactive" means a load is not applied or a switch is OFF.

COMPONENTS

Component	Connector / Type / Color	Location / Access
BODY PROCESSOR MODULE	FC1 / 48-WAY PCB SIGNAL / YELLOW FC2 / 48-WAY PCB SIGNAL / BLACK FC3 / 6-WAY PCB SIGNAL / BLACK	PASSENGER'S UNDERSCUTTLE
BRAKE SWITCH	CA72 / 4-WAY MULTILOCK 070 / WHITE	DRIVER'S UNDERSCUTTLE
CENTER CONSOLE SWITCH PACK	CC1 / 16-WAY MULTILOCK 040 / BLACK	CENTER CONSOLE
DOOR SWITCH - DRIVER	DD3 / 13-WAY ECONOSEAL III LC / BLACK	DOOR CASING
DOOR SWITCH PACK - DRIVER	DD1 / 12-WAY MULTILOCK 47 / WHITE DD2 / 22-WAY MULTILOCK 47 / WHITE	ARM REST / TOP ROLL
SEAT CONTROL MODULE - DRIVER (NAS VEHICLES)	CA105 / 22-WAY MULTILOCK 47 / BLUE CA108 / 12-WAY MULTILOCK 47 / BLUE SM1-D / 12-WAY MULTILOCK 47 / WHITE SM6-D / 22-WAY MULTILOCK 47 / WHITE	DRIVER'S SEAT
SEAT CUSHION - DRIVER	SM7-D / 3-WAY MULTILOCK 070 / YELLOW	DRIVER'S SEAT / UNDER
SEAT LUMBAR PUMP - DRIVER	SM10-D / 3-WAY MULTILOCK 070 / YELLOW	DRIVER'S SEAT / SQUAB
SEAT MOTORS - DRIVER	SM2-D / 6-WAY MULTILOCK 070 / WHITE SM3-D / 6-WAY MULTILOCK 070 / YELLOW SM4-D / 6-WAY MULTILOCK 070 / SLATE SM11-D / 6-WAY MULTILOCK 070 / WHITE SM13-D / 6-WAY MULTILOCK 070 / YELLOW	DRIVER'S SEAT / UNDER DRIVER'S SEAT / UNDER DRIVER'S SEAT / UNDER DRIVER'S SEAT / SQUAB DRIVER'S SEAT / UNDER
SEAT SWITCH PACK - DRIVER	SM5-D / 16-WAY MULTILOCK 040 / BLACK	DRIVER'S SEAT
SQUAB - DRIVER	SM9-D / 3-WAY MULTILOCK 070 / SLATE	DRIVER'S SEAT
HAND BRAKE SWITCH	CC52 / 2-WAY MULTILOCK 040 / BLACK	CENTER CONSOLE, LH SIDE
IGNITION SWITCH	FC54 (FLY LEAD) / 8-WAY MULTILOCK 070 / WHITE	STEERING COLUMN / COVER
NOT IN-PARK MICROSCHWITCH	CC42 (FLY LEAD) / 2-WAY MULTILOCK 040 / BLACK	"J" GATE / CENTER CONSOLE

HARNESS-TO-HARNESS CONNECTORS

Connector	Type / Color	Location / Access
CAB	20-WAY MULTILOCK 040 / GREEN	DRIVER'S 'A' POST / 'A' POST TRIM
CA9	20-WAY MULTILOCK 040 / BLACK	DRIVER'S 'A' POST / 'A' POST TRIM
CA10	8-WAY MULTILOCK 070 / WHITE	DRIVER'S 'A' POST / 'A' POST TRIM
CC3	20-WAY MULTILOCK 040 / BLACK	CENTER CONSOLE / CENTER CONSOLE GLOVE BOX
CC5	20-WAY MULTILOCK 040 / GREEN	CENTER CONSOLE / CENTER CONSOLE GLOVE BOX
FC5	THROUGH-PANEL (48 MICRO / 6) / BLACK	LH FASCIA END PANEL / OUTER AIR VENT
FC7	THROUGH-PANEL (48 MICRO / 6) / BLACK	PASSENGER'S UNDERSCUTTLE

GROUNDS

Ground	Location / Type
CAG30L	LH 'A' POST GROUND SCREW
CAG30R	LH 'A' POST GROUND SCREW
CAG103L	LH SEAT GROUND STUD
CAG103R	LH SEAT GROUND STUD
CCG51L	CENTER CONSOLE GROUND STUD
FCG15L	LH CONSOLE GROUND STUD
FCG26R	LH CONSOLE GROUND STUD

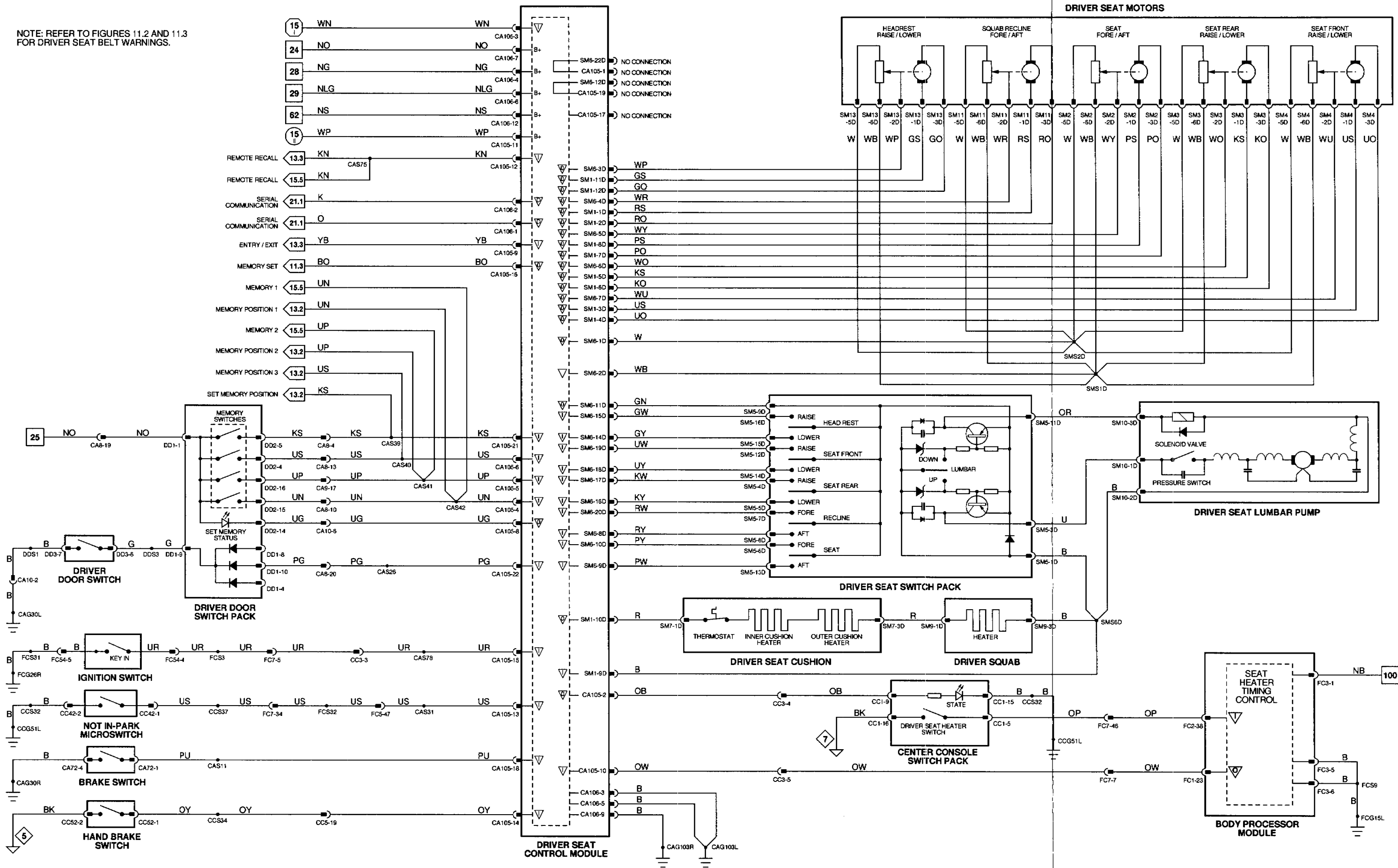
CONTROL MODULE PIN OUT INFORMATION (FOLD OUT PAGE)



REFER TO THE FRONT OF THE BOOK FOR ILLUSTRATIONS DETAILING THE LOCATION AND IDENTIFICATION OF COMPONENTS, RELAYS, CONNECTORS, HARNESES, GROUNDS, VEHICLE CONTROL MODULES AND CONTROL MODULE PINS.



NOTE: REFER TO FIGURES 11.2 AND 11.3 FOR DRIVER SEAT BELT WARNINGS.



1 - 6 Fig. 01.1
 7 - 66 Fig. 01.2
 67 - 109 Fig. 01.3
 (I) (II) Fig. 01.4
 (O) (I) (II) Fig. 02.1
 ◇ Fig. 02.2
 ▽ Input ▽ Output ▽ Serial and Encoded Communications ▽ Signal Ground (SG)

VARIANT: NAS Vehicles
 VIN RANGE: 746613 →
 DATE OF ISSUE: NOVEMBER 1995

CONTROL MODULE PIN OUT INFORMATION

DRIVER SEAT CONTROL MODULE (ROW, MEMORY SEAT VEHICLES)

Pin	Description	Active	Inactive
O PL1-2D	SEAT HEATER ON (STATE)	B+	GROUND
I PL1-3D	IGNITION SWITCHED GROUND	GROUND	B+
I PL1-10D	SEAT HEATER REQUEST	GROUND	B+
I PL1-13D	NOT IN PARK	GROUND	B+
I PL1-14D	HANDBRAKE ON	GROUND	B+
I PL1-15D	KEY IN IGNITION	GROUND	B+
I PL1-18D	BRAKE SWITCH	GROUND	B+
I PL1-22D	DRIVER'S DOOR AJAR	GROUND	7.9 V
D PL2-1D	SERIAL COMMUNICATION INPUT		
D PL2-2D	SERIAL COMMUNICATION OUTPUT		
O SM1-1D	SQUAB RECLINE FORE / AFT MOTOR	B+ (AFT)	GROUND
O SM1-2D	SQUAB RECLINE FORE / AFT MOTOR	B+ (FORE)	GROUND
O SM1-3D	SEAT FRONT RAISE / LOWER MOTOR	B+ (RAISE)	GROUND
O SM1-4D	SEAT FRONT RAISE / LOWER MOTOR	B+ (LOWER)	GROUND
O SM1-5D	SEAT REAR RAISE / LOWER MOTOR	B+ (RAISE)	GROUND
O SM1-6D	SEAT REAR RAISE / LOWER MOTOR	B+ (LOWER)	GROUND
O SM1-7D	SEAT FORE / AFT MOTOR	B+ (AFT)	GROUND
O SM1-8D	SEAT FORE / AFT MOTOR	B+ (FORE)	GROUND
I SM1-9D	COMMON GROUND	GROUND	GROUND
O SM1-10D	HEATER ELEMENT SUPPLY	B+	GROUND
O SM1-11D	HEADREST RAISE / LOWER MOTOR	B+ (RAISE)	GROUND
O SM1-12D	HEADREST RAISE / LOWER MOTOR	B+ (LOWER)	GROUND
I SM6-8D	RECLINE AFT MOVEMENT REQUEST	B+	GROUND
I SM6-9D	SEAT AFT MOVEMENT REQUEST	B+	GROUND
I SM6-10D	SEAT FORE MOVEMENT REQUEST	B+	GROUND
O SM6-11D	LUMBAR SWITCH POWER SUPPLY	B+	GROUND
I SM6-14D	HEADREST LOWER MOVEMENT REQUEST	B+	GROUND
I SM6-15D	HEADREST RAISE MOVEMENT REQUEST	B+	GROUND
I SM6-16D	SEAT REAR LOWER MOVEMENT REQUEST	B+	GROUND
I SM6-17D	SEAT REAR RAISE MOVEMENT REQUEST	B+	GROUND
I SM6-18D	SEAT FRONT LOWER MOVEMENT REQUEST	B+	GROUND
I SM6-19D	SEAT FRONT RAISE MOVEMENT REQUEST	B+	GROUND
I SM6-20D	RECLINE FORE MOVEMENT REQUEST	B+	GROUND

BODY PROCESSOR MODULE

Pin	Description	Active	Inactive
O FC1-23	DRIVER SEAT HEATER ON	GROUND	B+
I FC2-38	DRIVER SEAT HEATER REQUEST	GROUND	B+

The following symbols are used to represent values for Control Module Pin Out data:

I Input	B+ Battery voltage
O Output	V Voltage (DC)
SG Signal Ground	Hz Frequency
D Serial and encoded communications	KHz Frequency x 1000
	MS Milliseconds
	MV Millivolts

CAUTION: The information on this data page is furnished to aid the user in understanding circuit operation. THIS INFORMATION SHOULD BE USED FOR REFERENCE ONLY.

NOTE: The values listed are approximately those that can be expected at the control module connector pins with all circuit connections made and all components connected and fitted. "Active" means a load is applied or a switch is ON; "Inactive" means a load is not applied or a switch is OFF.

COMPONENTS

Component	Connector / Type / Color	Location / Access
BODY PROCESSOR MODULE	FC1 / 48-WAY PCB SIGNAL / YELLOW FC2 / 48-WAY PCB SIGNAL / BLACK FC3 / 6-WAY PCB SIGNAL / BLACK	PASSENGER'S UNDERSCUTTLE
BRAKE SWITCH	CA72 / 4-WAY MULTILOCK 070 / WHITE	DRIVER'S UNDERSCUTTLE
CENTER CONSOLE SWITCH PACK	CC1 / 16-WAY MULTILOCK 040 / BLACK	CENTER CONSOLE
DOCR SWITCH - DRIVER	DD3 / 13-WAY ECONOSEAL III LC / BLACK	DOOR CASING
DOCR SWITCH PACK - DRIVER	DD1 / 12-WAY MULTILOCK 47 / WHITE DD2 / 22-WAY MULTILOCK 47 / WHITE	ARM REST / TOP ROLL
SEAT CONTROL MODULE - DRIVER (ROW, MEMORY SEAT VEHICLES)	PL1 / 22-WAY MULTILOCK 47 / BLUE PL2 / 12-WAY MULTILOCK 47 / BLUE SM1-D / 12-WAY MULTILOCK 47 / WHITE SM6-D / 22-WAY MULTILOCK 47 / WHITE	DRIVER'S SEAT
SEAT CUSHION - DRIVER	SM7-D / 3-WAY MULTILOCK 070 / YELLOW	DRIVER'S SEAT / UNDER
SEAT LUMBAR PUMP - DRIVER	SM10-D / 3-WAY MULTILOCK 070 / YELLOW	DRIVER'S SEAT / SQUAB
SEAT MOTORS - DRIVER	SM2-D / 6-WAY MULTILOCK 070 / WHITE SM3-D / 6-WAY MULTILOCK 070 / YELLOW SM4-D / 6-WAY MULTILOCK 070 / SLATE SM11-D / 6-WAY MULTILOCK 070 / WHITE SM13-D / 6-WAY MULTILOCK 070 / YELLOW	DRIVER'S SEAT / UNDER DRIVER'S SEAT / UNDER DRIVER'S SEAT / UNDER DRIVER'S SEAT / SQUAB DRIVER'S SEAT / UNDER
SEAT SWITCH PACK - DRIVER	SM5-D / 16-WAY MULTILOCK 040 / BLACK	DRIVER'S SEAT
SQUAB - DRIVER	SM9-D / 3-WAY MULTILOCK 070 / SLATE	DRIVER'S SEAT
HAND BRAKE SWITCH	CC52 / 2-WAY MULTILOCK 040 / BLACK	CENTER CONSOLE, LH SIDE
IGNITION SWITCH	FC54 (FLY LEAD) / 8-WAY MULTILOCK 070 / WHITE	STEERING COLUMN / COVER
NOT IN-PARK MICROSWITCH	CC42 (FLY LEAD) / 2-WAY MULTILOCK 040 / BLACK	'J' GATE / CENTER CONSOLE

HARNESS-TO-HARNESS CONNECTORS

Connector	Type / Color	Location / Access
CA8	20-WAY MULTILOCK 040 / GREEN	DRIVER'S 'A' POST / 'A' POST TRIM
CA10	8-WAY MULTILOCK 070 / WHITE	DRIVER'S 'A' POST / 'A' POST TRIM
CA23	20-WAY MULTILOCK 040 / BLACK	DRIVER'S SEAT / UNDER
CA24	6-WAY MULTILOCK 070 / WHITE	DRIVER'S SEAT / UNDER
CC3	20-WAY MULTILOCK 040 / BLACK	CENTER CONSOLE / CENTER CONSOLE GLOVE BOX
CC4	14-WAY MULTILOCK 070 / WHITE	CENTER CONSOLE / CENTER CONSOLE GLOVE BOX
CC5	20-WAY MULTILOCK 040 / GREEN	CENTER CONSOLE / CENTER CONSOLE GLOVE BOX
FC5	THROUGH-PANEL (48 MICRO / 6) / BLACK	LH FASCIA END PANEL / OUTER AIR VENT
FC6	THROUGH-PANEL (48 MICRO / 6) / BLACK	RH FASCIA END PANEL / OUTER AIR VENT
FC7	THROUGH-PANEL (48 MICRO / 6) / BLACK	PASSENGER'S UNDERSCUTTLE

GROUNDS

Ground	Location / Type
CAG30L	LH 'A' POST GROUND SCREW
CAG30R	LH 'A' POST GROUND SCREW
CAG33L	RH HEELBOARD GROUND SCREW
CAG33R	RH HEELBOARD GROUND SCREW
CCG51L	CENTER CONSOLE GROUND STUD
FCG15L	LH CONSOLE GROUND STUD
FCG28R	LH CONSOLE GROUND STUD
PLG3L	LH SEAT GROUND SCREW
PLG3R	LH SEAT GROUND SCREW

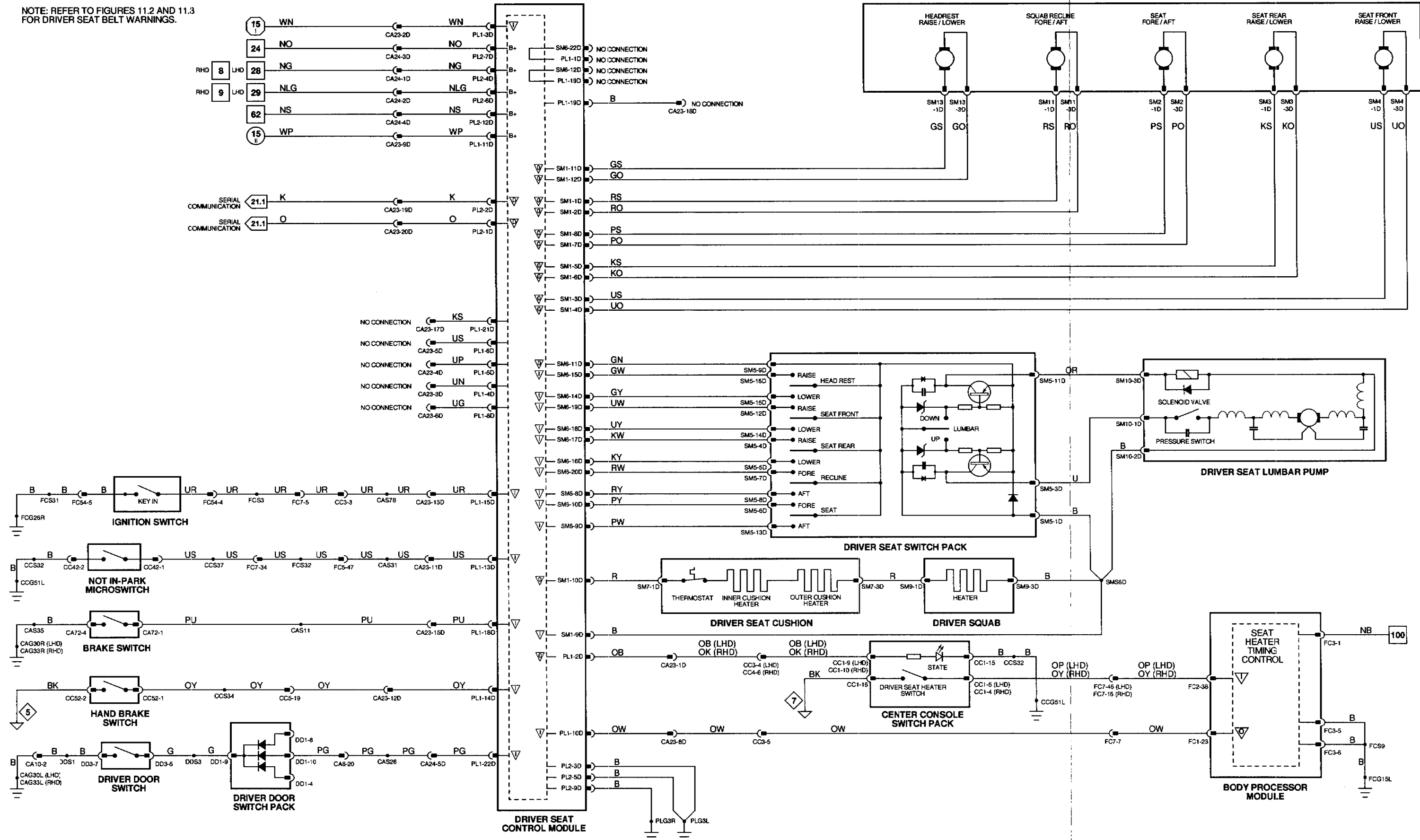
CONTROL MODULE PIN OUT INFORMATION (FOLD OUT PAGE)



REFER TO THE FRONT OF THE BOOK FOR ILLUSTRATIONS DETAILING THE LOCATION AND IDENTIFICATION OF COMPONENTS, RELAYS, CONNECTORS, HARNESES, GROUNDS, VEHICLE CONTROL MODULES AND CONTROL MODULE PINS.



NOTE: REFER TO FIGURES 11.2 AND 11.3 FOR DRIVER SEAT BELT WARNINGS.



1 - 6 Fig. 01.1
 7 - 66 Fig. 01.2
 67 - 109 Fig. 01.3
 I II Fig. 01.4
 I II Fig. 02.1
 ◇ Fig. 02.2
 ▽ Input
 ▽ Output
 ▽ Serial and Encoded Communications
 ▽ Signal Ground (SG)

VARIANT: Non-Memory Seat Vehicles
 VIN RANGE: 746613 →
 DATE OF ISSUE: NOVEMBER 1995

CONTROL MODULE PIN OUT INFORMATION

BODY PROCESSOR MODULE

Pin	Description	Active	Inactive
○ FC1-23	DRIVER SEAT HEATER ON	GROUND	B+
┆ FC2-38	DRIVER SEAT HEATER REQUEST	GROUND	B+

COMPONENTS

Component	Connector / Type / Color	Location / Access
BODY PROCESSOR MODULE	FC1 / 48-WAY PCB SIGNAL / YELLOW FC2 / 48-WAY PCB SIGNAL / BLACK FC3 / 6-WAY PCB SIGNAL / BLACK	PASSENGER'S UNDERSCUTTLE
CENTER CONSOLE SWITCH PACK	CC1 / 16-WAY MULTILOCK 040 / BLACK	CENTER CONSOLE
SEAT CUSHION - DRIVER	SM7-D / 3-WAY MULTILOCK 070 / YELLOW	DRIVER'S SEAT / UNDER
SEAT MOTOR - DRIVER (RAISE / LOWER SEAT VEHICLES)	SM16-D / 6-WAY MULTILOCK 070 / SLATE	DRIVER'S SEAT / UNDER
SEAT SWITCH PACK - DRIVER (RAISE / LOWER SEAT VEHICLES)	SM17-D / 16-WAY MULTILOCK 040 / BLACK	DRIVER'S SEAT
SQUAB - DRIVER	SM9-D / 3-WAY MULTILOCK 070 / SLATE	DRIVER'S SEAT

RELAYS

Relay	Color / Stripe	Connector / Color	Location / Access
SEAT HEATER RELAY - DRIVER	BLACK	SM18-D / BLUE	DRIVER'S SEAT
SEAT LOWER RELAY - DRIVER	BLACK / VIOLET	SM14-D / BLUE	DRIVER'S SEAT
SEAT RAISE RELAY - DRIVER	BLACK / VIOLET	SM14-D / BLUE	DRIVER'S SEAT

HARNESSTO-HARNESST CONNECTORS

Connector	Type / Color	Location / Access
CA23-D	20-WAY MULTILOCK 040 / BLACK	DRIVER'S SEAT / UNDER
CA24-D	6-WAY MULTILOCK 070 / WHITE	DRIVER'S SEAT / UNDER
CC3	20-WAY MULTILOCK 040 / BLACK	CENTER CONSOLE / CENTER CONSOLE GLOVE BOX
CC4	14-WAY MULTILOCK 070 / WHITE	CENTER CONSOLE / CENTER CONSOLE GLOVE BOX
FC6	THROUGH-PANEL 148 MICRO / 6 / BLACK	RH FASCIA END PANEL / OUTER AIR VENT
FC7	THROUGH-PANEL 148 MICRO / 6 / BLACK	PASSENGER'S UNDERSCUTTLE
ML1-D	10-WAY MULTILOCK 070 / WHITE	DRIVER'S SEAT / UNDER

GROUNDS

Ground	Location / Type
CCG51L	CENTER CONSOLE GROUND STUD
FCG15L	LH CONSOLE GROUND STUD
MLG2L	LH SEAT GROUND SCREW
MLG2R	LH SEAT GROUND SCREW

CONTROL MODULE PIN OUT INFORMATION (FOLD OUT PAGE)



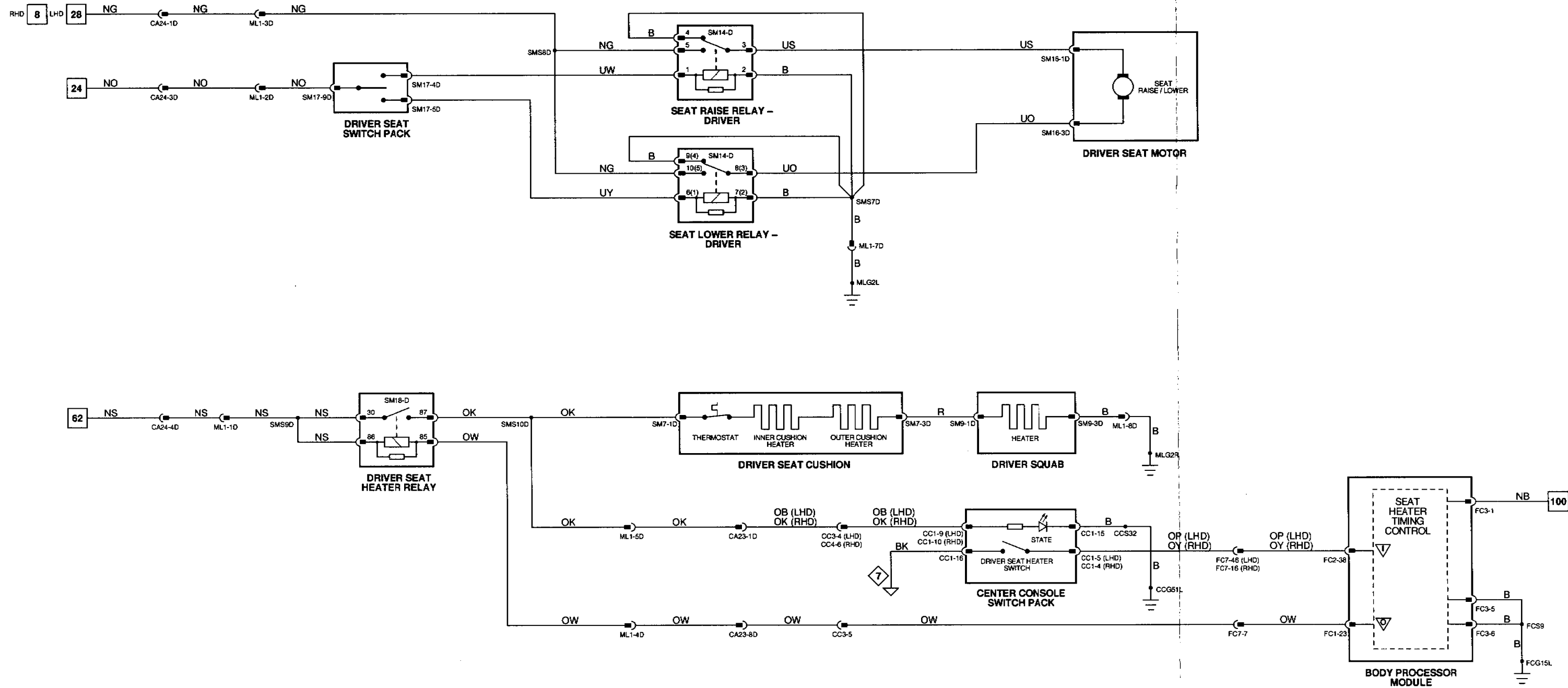
The following symbols are used to represent values for Control Module Pin Out data:

I Input	B+ Battery voltage
O Output	V Voltage (DC)
SG Signal Ground	Hz Frequency
D Serial and encoded communications	KHz Frequency x 1000
	MS Milliseconds
	MV Millivolts

CAUTION: The information on this data page is furnished to aid the user in understanding circuit operation. THIS INFORMATION SHOULD BE USED FOR REFERENCE ONLY.

NOTE: The values listed are approximately those that can be expected at the control module connector pins with all circuit connections made and all components connected and fitted. "Active" means a load is applied or a switch is ON; "Inactive" means a load is not applied or a switch is OFF.

REFER TO THE FRONT OF THE BOOK FOR ILLUSTRATIONS DETAILING THE LOCATION AND IDENTIFICATION OF COMPONENTS, RELAYS, CONNECTORS, HARNESSES, GROUNDS, VEHICLE CONTROL MODULES AND CONTROL MODULE PINS.



CONTROL MODULE PIN OUT INFORMATION

PASSENGER SEAT CONTROL MODULE (ROW, MEMORY SEAT VEHICLES)

Pin	Description	Active	Inactive
O PL1-2P	SEAT HEATER ON STATE	B+	GROUND
I PL1-3P	IGNITION SWITCHED POWER	GROUND	B+
I PL1-4P	MEMORY POSITION 1 REQUEST	B+	GROUND
I PL1-5P	MEMORY POSITION 2 REQUEST	B+	GROUND
I PL1-6P	MEMORY POSITION 3 REQUEST	B+	GROUND
O PL1-8P	SEAT MEMORY STATUS STATE	GROUND	B+
I PL1-10P	SEAT HEATER REQUEST	GROUND	B+
I PL1-15P	KEY IN IGNITION SIGNAL	GROUND	B+
O PL1-16P	MEMORY SET AUDIBLE TONE	GROUND	B+
I PL1-21P	SET MEMORY POSITION REQUEST	B+	GROUND
I PL1-22P	PASSENGER DOOR AJAR	GROUND	7.9 V
D PL2-1P	SERIAL COMMUNICATION INPUT		
D PL2-2P	SERIAL COMMUNICATION OUTPUT		
O SM1-1P	SQUAB RECLINE FORE / AFT MOTOR	B+ (AFT)	GROUND
O SM1-2P	SQUAB RECLINE FORE / AFT MOTOR	B+ (FORE)	GROUND
O SM1-3P	SEAT FRONT RAISE / LOWER MOTOR	B+ (UP)	GROUND
O SM1-4P	SEAT FRONT RAISE / LOWER MOTOR	B+ (DOWN)	GROUND
O SM1-5P	SEAT REAR RAISE / LOWER MOTOR	B+ (UP)	GROUND
O SM1-6P	SEAT REAR RAISE / LOWER MOTOR	B+ (DOWN)	GROUND
O SM1-7P	SEAT FORE / AFT MOTOR	B+ (AFT)	GROUND
O SM1-8P	SEAT FORE / AFT MOTOR	B+ (FORE)	GROUND
I SM1-9P	COMMON GROUND	GROUND	GROUND
O SM1-10P	HEATER ELEMENT SUPPLY	B+	B+
O SM1-11P	HEADREST RAISE / LOWER MOTOR	B+ (UP)	GROUND
O SM1-12P	HEADREST RAISE / LOWER MOTOR	B+ (DOWN)	GROUND
O SM6-1P	POTENTIOMETER COMMON REFERENCE VOLTAGE	5 V	5 V
SG SM6-2P	POTENTIOMETER COMMON REFERENCE GROUND	GROUND	GROUND
O SM6-3P	HEADREST FEEDBACK VOLTAGE	0.5 V (DOWN), 4 V (UP)	
O SM6-4P	SQUAB RECLINE FEEDBACK VOLTAGE	0.5 V (BACK), 4 V (FORWARD)	
O SM6-5P	SEAT FORE / AFT FEEDBACK VOLTAGE	0.5 V (AFT), 4 V (FORE)	
O SM6-6P	SEAT REAR RAISE / LOWER FEEDBACK VOLTAGE	0.5 V (DOWN), 4 V (UP)	
O SM6-7P	SEAT FRONT RAISE / LOWER FEEDBACK VOLTAGE	0.5 V (DOWN), 4 V (UP)	
I SM6-8P	RECLINE AFT MOVEMENT REQUEST	B+	GROUND
I SM6-9P	SEAT AFT MOVEMENT REQUEST	B+	GROUND
I SM6-10P	SEAT FORE MOVEMENT REQUEST	B+	GROUND
O SM6-11P	LUMBAR SWITCH POWER SUPPLY	B+	B+
I SM6-14P	HEADREST LOWER MOVEMENT REQUEST	B+	GROUND
I SM6-15P	HEADREST RAISE MOVEMENT REQUEST	B+	GROUND
I SM6-16P	SEAT REAR LOWER MOVEMENT REQUEST	B+	GROUND
I SM6-17P	SEAT REAR RAISE MOVEMENT REQUEST	B+	GROUND
I SM6-18P	SEAT FRONT LOWER MOVEMENT REQUEST	B+	GROUND
I SM6-19P	SEAT FRONT RAISE MOVEMENT REQUEST	B+	GROUND
I SM6-20P	RECLINE FORE MOVEMENT REQUEST	B+	GROUND

BODY PROCESSOR MODULE

Pin	Description	Active	Inactive
O FC1-42	PASSENGER SEAT HEATER REQUEST	GROUND	B+
I FC2-12	PASSENGER SEAT HEATER SWITCH	GROUND	B+

The following symbols are used to represent values for Control Module Pin Out data:

I Input	B+ Battery voltage
O Output	V Voltage (DC)
SG Signal Ground	Hz Frequency
D Serial and encoded communications	KHz Frequency x 1000
	MS Milliseconds
	MV Millivolts

CAUTION: The information on this data page is furnished to aid the user in understanding circuit operation. THIS INFORMATION SHOULD BE USED FOR REFERENCE ONLY.

NOTE: The values listed are approximately those that can be expected at the control module connector pins with all circuit connections made and all components connected and fitted. "Active" means a load is applied or a switch is ON; "Inactive" means a load is not applied or a switch is OFF.

COMPONENTS

Component	Connector / Type / Color	Location / Access
BODY PROCESSOR MODULE	FC1 / 48-WAY PCB SIGNAL / YELLOW FC2 / 48-WAY PCB SIGNAL / BLACK FC3 / 6-WAY PCB SIGNAL / BLACK	PASSENGER'S UNDERSCUTTLE
CENTER CONSOLE SWITCH PACK	CC1 / 16-WAY MULTILOCK 040 / BLACK	CENTER CONSOLE
IGNITION SWITCH	FC54 (FLY LEAD) / 8-WAY MULTILOCK 070 / WHITE	STEERING COLUMN / COVER
DOOR SWITCH PACK - PASSENGER	PD1 / 28-WAY MULTILOCK 47 / SLATE	ARM REST / TOP ROLL
DOOR SWITCH - PASSENGER	PD3 / 13-WAY ECONOSEAL III LC / BLACK	DOOR CASING
SEAT CONTROL MODULE - PASSENGER (ROW, MEMORY SEAT VEHICLES)	PL1 / 22-WAY MULTILOCK 47 / BLUE PL2 / 12-WAY MULTILOCK 47 / BLUE SM1-P / 12-WAY MULTILOCK 47 / WHITE SM6-P / 22-WAY MULTILOCK 47 / WHITE	PASSENGER'S SEAT
SEAT CUSHION - PASSENGER	SM7-P / 3-WAY MULTILOCK 070 / YELLOW	PASSENGER'S SEAT / UNDER
SEAT LUMBAR PUMP - PASSENGER	SM10-P / 3-WAY MULTILOCK 070 / YELLOW	PASSENGER'S SEAT / SQUAB
SEAT MOTORS - PASSENGER	SM2-P / 6-WAY MULTILOCK 070 / WHITE SM3-P / 6-WAY MULTILOCK 070 / YELLOW SM4-P / 6-WAY MULTILOCK 070 / SLATE SM11-P / 6-WAY MULTILOCK 070 / WHITE SM13-P / 6-WAY MULTILOCK 070 / YELLOW	PASSENGER'S SEAT / UNDER PASSENGER'S SEAT / UNDER PASSENGER'S SEAT / UNDER PASSENGER'S SEAT / SQUAB PASSENGER'S SEAT / UNDER
SEAT SWITCH PACK - PASSENGER	SM5-P / 16-WAY MULTILOCK 040 / BLACK	PASSENGER'S SEAT
SQUAB - PASSENGER	SM9-P / 3-WAY MULTILOCK 070 / SLATE	PASSENGER'S SEAT

HARNESS-TO-HARNESS CONNECTORS

Connector	Type / Color	Location / Access
CA11	20-WAY MULTILOCK 040 / BLACK	PASSENGER'S UNDERSCUTTLE / ECM
CA12	15-WAY MULTILOCK 070 / WHITE	PASSENGER'S UNDERSCUTTLE / ECM
CA27	6-WAY MULTILOCK 070 / WHITE	PASSENGER'S SEAT / UNDER
CA28	20-WAY MULTILOCK 040 / BLACK	PASSENGER'S SEAT / UNDER
CC3	20-WAY MULTILOCK 040 / BLACK	CENTER CONSOLE / CENTER CONSOLE GLOVE BOX
CC4	14-WAY MULTILOCK 070 / WHITE	CENTER CONSOLE / CENTER CONSOLE GLOVE BOX
FC6	THROUGH-PANEL (48 MICRO / 6) / BLACK	RH FASCIA END PANEL / OUTER AIR VENT
FC7	THROUGH-PANEL (48 MICRO / 6) / BLACK	PASSENGER'S UNDERSCUTTLE

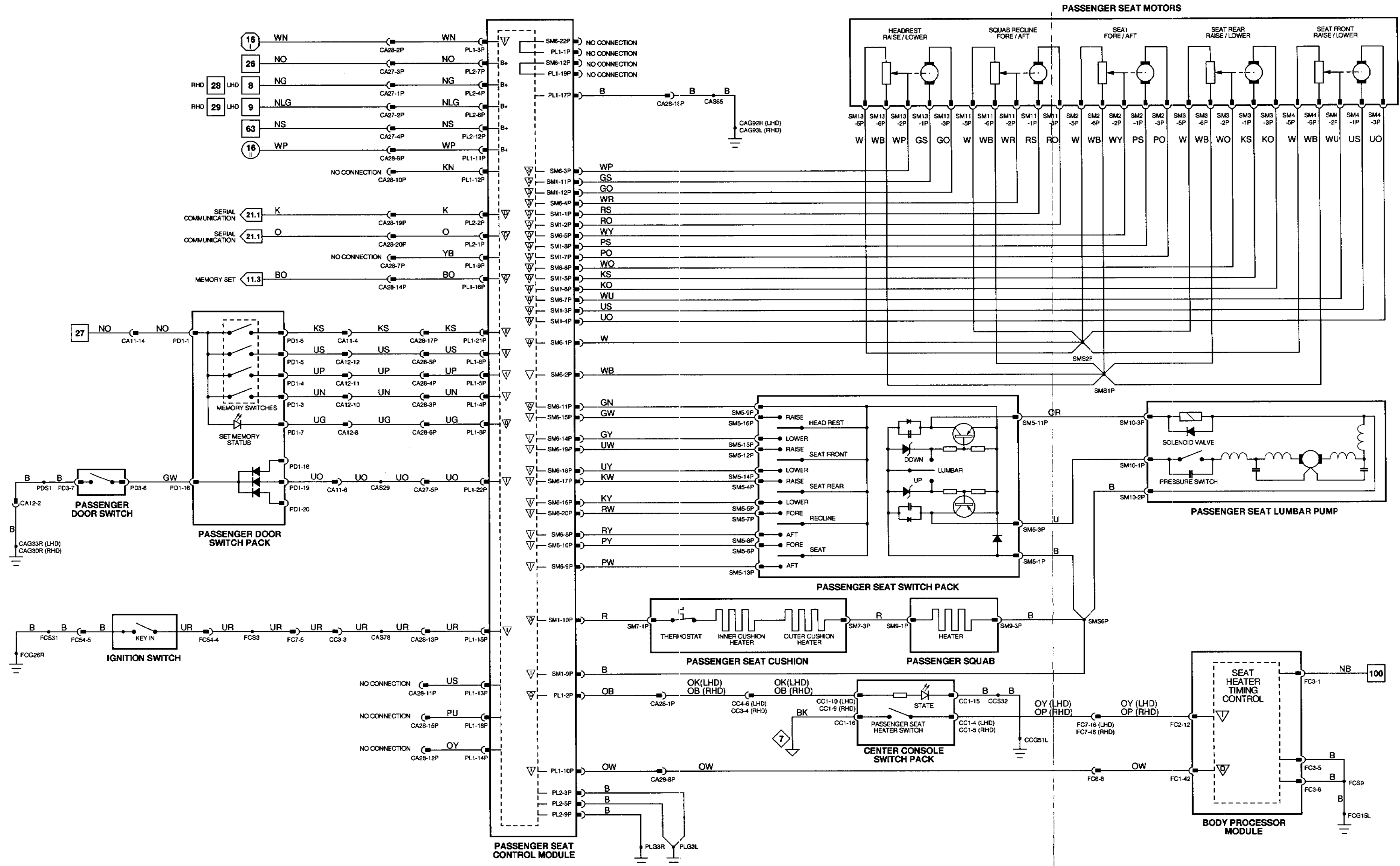
GROUNDS

Ground	Location / Type
CAG30R	LH 'A' POST GROUND SCREW
CAG33R	RH HEELBOARD GROUND SCREW
CAG92R	RH HEELBOARD GROUND SCREW
CAG93L	LH HEELBOARD GROUND SCREW
CCG51L	CENTER CONSOLE GROUND STUD
FCG15L	LH CONSOLE GROUND STUD
FCG26R	LH CONSOLE GROUND STUD
PLG3L	LH SEAT GROUND SCREW
PLG3R	LH SEAT GROUND SCREW

CONTROL MODULE PIN OUT INFORMATION (FOLD OUT PAGE)



REFER TO THE FRONT OF THE BOOK FOR ILLUSTRATIONS DETAILING THE LOCATION AND IDENTIFICATION OF COMPONENTS, RELAYS, CONNECTORS, HARNESSSES, GROUNDS, VEHICLE CONTROL MODULES AND CONTROL MODULE PINS.



CONTROL MODULE PIN OUT INFORMATION

PASSENGER SEAT CONTROL MODULE (ROW, MEMORY SEAT VEHICLES)

Pin	Description	Active	Inactive
0	PL1-2P	SEAT HEATER ON STATE	B+
I	PL1-3P	IGNITION SWITCHED POWER	GROUND
I	PL1-4P	MEMORY POSITION 1 REQUEST	B+
I	PL1-5P	MEMORY POSITION 2 REQUEST	B+
I	PL1-6P	MEMORY POSITION 3 REQUEST	B+
0	PL1-8P	SEAT MEMORY STATUS STATE	GROUND
I	PL1-10P	SEAT HEATER REQUEST	GROUND
I	PL1-15P	KEY IN IGNITION SIGNAL	GROUND
0	PL1-16P	MEMORY SET AUDIBLE TONE	GROUND
I	PL1-21P	SET MEMORY POSITION REQUEST	B+
I	PL1-22P	PASSENGER DOOR AJAR	GROUND
D	PL2-1P	SERIAL COMMUNICATION INPUT	
D	PL2-2P	SERIAL COMMUNICATION OUTPUT	
0	SM1-1P	SQUAB RECLINE FORE / AFT MOTOR	B+ (AFT)
0	SM1-2P	SQUAB RECLINE FORE / AFT MOTOR	B+ (FORE)
0	SM1-3P	SEAT FRONT RAISE / LOWER MOTOR	B+ (UP)
0	SM1-4P	SEAT FRONT RAISE / LOWER MOTOR	B+ (DOWN)
0	SM1-5P	SEAT REAR RAISE / LOWER MOTOR	B+ (UP)
0	SM1-6P	SEAT REAR RAISE / LOWER MOTOR	B+ (DOWN)
0	SM1-7P	SEAT FORE / AFT MOTOR	B+ (AFT)
0	SM1-8P	SEAT FORE / AFT MOTOR	B+ (FORE)
I	SM1-9P	COMMON GROUND	GROUND
0	SM1-10P	HEATER ELEMENT SUPPLY	B+
0	SM1-11P	HEADREST RAISE / LOWER MOTOR	B+ (UP)
0	SM1-12P	HEADREST RAISE / LOWER MOTOR	B+ (DOWN)
0	SM6-1P	POTENTIOMETER COMMON REFERENCE VOLTAGE	5 V
SG	SM6-2P	POTENTIOMETER COMMON REFERENCE GROUND	GROUND
0	SM6-3P	HEADREST FEEDBACK VOLTAGE	0.5 V (DOWN), 4 V (UP)
0	SM6-4P	SQUAB RECLINE FEEDBACK VOLTAGE	0.5 V (BACK), 4 V (FORWARD)
0	SM6-5P	SEAT FORE / AFT FEEDBACK VOLTAGE	0.5 V (AFT), 4 V (FORE)
0	SM6-6P	SEAT REAR RAISE / LOWER FEEDBACK VOLTAGE	0.5 V (DOWN), 4 V (UP)
0	SM6-7P	SEAT FRONT RAISE / LOWER FEEDBACK VOLTAGE	0.5 V (DOWN), 4 V (UP)
I	SM6-8P	RECLINE AFT MOVEMENT REQUEST	B+
I	SM6-9P	SEAT AFT MOVEMENT REQUEST	B+
I	SM6-10P	SEAT FORE MOVEMENT REQUEST	B+
0	SM6-11P	LUMBAR SWITCH POWER SUPPLY	B+
I	SM6-14P	HEADREST LOWER MOVEMENT REQUEST	B+
I	SM6-15P	HEADREST RAISE MOVEMENT REQUEST	B+
I	SM6-16P	SEAT REAR LOWER MOVEMENT REQUEST	B+
I	SM6-17P	SEAT REAR RAISE MOVEMENT REQUEST	B+
I	SM6-18P	SEAT FRONT LOWER MOVEMENT REQUEST	B+
I	SM6-19P	SEAT FRONT RAISE MOVEMENT REQUEST	B+
I	SM6-20P	RECLINE FORE MOVEMENT REQUEST	B+

BODY PROCESSOR MODULE

Pin	Description	Active	Inactive
0	FC1-42	PASSENGER SEAT HEATER REQUEST	GROUND
I	FC2-12	PASSENGER SEAT HEATER SWITCH	GROUND

The following symbols are used to represent values for Control Module Pin Out data:

- I Input
- O Output
- SG Signal Ground
- D Serial and encoded communications
- B+ Battery voltage
- V Voltage (DC)
- Hz Frequency
- KHz Frequency x 1000
- MS Milliseconds
- MV Millivolts

CAUTION: The information on this data page is furnished to aid the user in understanding circuit operation. THIS INFORMATION SHOULD BE USED FOR REFERENCE ONLY.

NOTE: The values listed are approximately those that can be expected at the control module connector pins with all circuit connections made and all components connected and fitted. "Active" means a load is applied or a switch is ON; "Inactive" means a load is not applied or a switch is OFF.

Fig. 14.6

COMPONENTS

Component	Connector / Type / Color	Location / Access
BODY PROCESSOR MODULE	FC1 / 48-WAY PCB SIGNAL / YELLOW FC2 / 48-WAY PCB SIGNAL / BLACK FC3 / 6-WAY PCB SIGNAL / BLACK	PASSENGER'S UNDERSCUTTLE
CENTER CONSOLE SWITCH PACK	CC1 / 16-WAY MULTILOCK 040 / BLACK	CENTER CONSOLE
IGNITION SWITCH	FC54 (FLY LEAD) / 8-WAY MULTILOCK 070 / WHITE	STEERING COLUMN / COVER
DOOR SWITCH PACK - PASSENGER	PD1 / 26-WAY MULTILOCK 47 / SLATE	ARM REST / TOP ROLL
DOOR SWITCH - PASSENGER	PD3 / 13-WAY ECONOSEAL III LC / BLACK	DOOR CASING
SEAT CONTROL MODULE - PASSENGER (ROW, MEMORY SEAT VEHICLES)	PL1 / 22-WAY MULTILOCK 47 / BLUE PL2 / 12-WAY MULTILOCK 47 / BLUE SM1-P / 12-WAY MULTILOCK 47 / WHITE SM6-P / 22-WAY MULTILOCK 47 / WHITE	PASSENGER'S SEAT
SEAT CUSHION - PASSENGER	SM7-P / 3-WAY MULTILOCK 070 / YELLOW	PASSENGER'S SEAT / UNDER
SEAT FORE/AFT SWITCHES - PASSENGER, REAR	SM19 / 10-WAY AMP MQL / BLACK	FRONT LOWER SEAT / INSIDE
SEAT LUMBAR PUMP - PASSENGER	SM10-P / 3-WAY MULTILOCK 070 / YELLOW	PASSENGER'S SEAT / SQUAB
SEAT MOTORS - PASSENGER	SM2-P / 6-WAY MULTILOCK 070 / WHITE SM3-P / 6-WAY MULTILOCK 070 / YELLOW SM4-P / 6-WAY MULTILOCK 070 / SLATE SM11-P / 6-WAY MULTILOCK 070 / WHITE SM13-P / 6-WAY MULTILOCK 070 / YELLOW	PASSENGER'S SEAT / UNDER PASSENGER'S SEAT / UNDER PASSENGER'S SEAT / UNDER PASSENGER'S SEAT / SQUAB PASSENGER'S SEAT / UNDER
SEAT RECLINE SWITCHES - PASSENGER, REAR	SM20 / 10-WAY AMP MQL / NATURAL	FRONT LOWER SEAT / INSIDE
SEAT SWITCH PACK - PASSENGER	SM5-P / 16-WAY MULTILOCK 040 / BLACK	PASSENGER'S SEAT
SQUAB - PASSENGER	SM9-P / 3-WAY MULTILOCK 070 / SLATE	PASSENGER'S SEAT

HARNESS-TO-HARNESS CONNECTORS

Connector	Type / Color	Location / Access
CA11	20-WAY MULTILOCK 040 / BLACK	PASSENGER'S UNDERSCUTTLE / ECM
CA12	15-WAY MULTILOCK 070 / WHITE	PASSENGER'S UNDERSCUTTLE / ECM
CA27	6-WAY MULTILOCK 070 / WHITE	PASSENGER'S SEAT / UNDER
CA28	20-WAY MULTILOCK 040 / BLACK	PASSENGER'S SEAT / UNDER
CC3	20-WAY MULTILOCK 040 / BLACK	CENTER CONSOLE / CENTER CONSOLE GLOVE BOX
CC4	14-WAY MULTILOCK 070 / WHITE	CENTER CONSOLE / CENTER CONSOLE GLOVE BOX
FC8	THROUGH-PANEL (48 MICRO / 8) / BLACK	RH FASCIA END PANEL / OUTER AIR VENT
FC7	THROUGH-PANEL (48 MICRO / 8) / BLACK	PASSENGER'S UNDERSCUTTLE

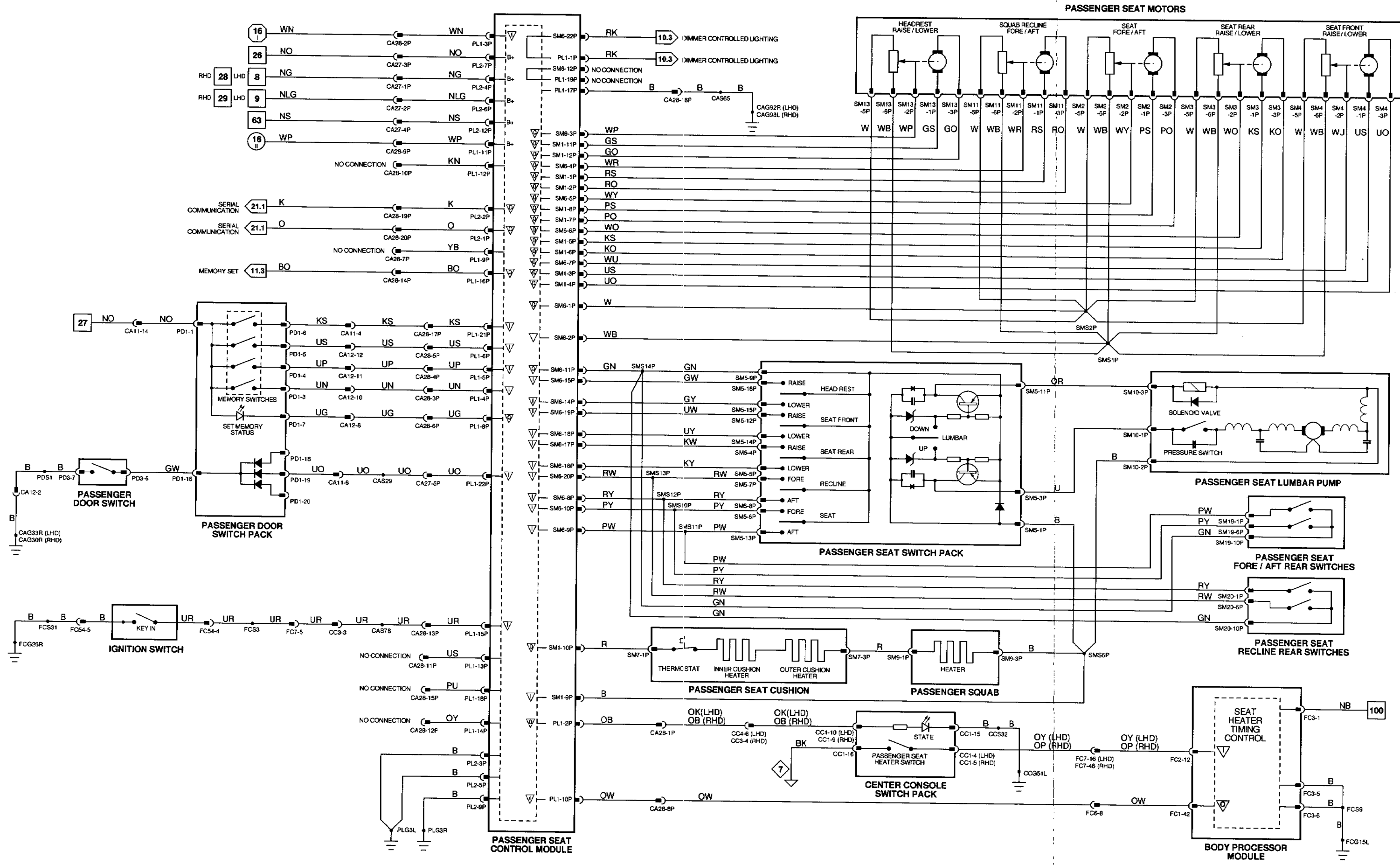
GROUNDS

Ground	Location / Type
CAG30R	LH 'A' POST GROUND SCREW
CAG33R	RH HEELBOARD GROUND SCREW
CAG92R	RH HEELBOARD GROUND SCREW
CAG93L	LH HEELBOARD GROUND SCREW
CCG51L	CENTER CONSOLE GROUND STUD
FCG15L	LH CONSOLE GROUND STUD
FCG28R	LH CONSOLE GROUND STUD
PLG3L	LH SEAT GROUND SCREW
PLG3R	LH SEAT GROUND SCREW

CONTROL MODULE PIN OUT INFORMATION (FOLD OUT PAGE)



REFER TO THE FRONT OF THE BOOK FOR ILLUSTRATIONS DETAILING THE LOCATION AND IDENTIFICATION OF COMPONENTS, RELAYS, CONNECTORS, HARNESES, GROUNDS, VEHICLE CONTROL MODULES AND CONTROL MODULE PINS.



CONTROL MODULE PIN OUT INFORMATION

PASSENGER SEAT CONTROL MODULE (NAS VEHICLES)

Pin	Description	Active	Inactive
O CA107-2	SEAT HEATER ON STATE	B+	
I CA107-3	IGNITION SWITCHED GROUND	GROUND	B+
I CA107-4	MEMORY POSITION 1 REQUEST	B+	GROUND
I CA107-5	MEMORY POSITION 2 REQUEST	B+	GROUND
I CA107-6	MEMORY POSITION 3 REQUEST	B+	GROUND
O CA107-8	SEAT MEMORY STATUS STATE	GROUND	B+
I CA107-10	SEAT HEATER REQUEST	GROUND	B+
I CA107-15	KEY IN IGNITION SWITCH	GROUND	B+
O CA107-16	MEMORY SET AUDIBLE TONE	GROUND	B+
I CA107-21	SET MEMORY POSITION REQUEST	B+	GROUND
I CA107-22	PASSENGER DOOR SWITCH	GROUND	B+
D CA108-1	SERIAL COMMUNICATION INPUT		
D CA108-2	SERIAL COMMUNICATION OUTPUT		
O SM1-1P	SQUAB RECLINE FORE / AFT MOTOR	B+ (AFT)	GROUND
O SM1-2P	SQUAB RECLINE FORE / AFT MOTOR	B+ (FORE)	GROUND
O SM1-3P	SEAT FRONT RAISE / LOWER MOTOR	B+ (UP)	GROUND
O SM1-4P	SEAT FRONT RAISE / LOWER MOTOR	B+ (DOWN)	GROUND
O SM1-5P	SEAT REAR RAISE / LOWER MOTOR	B+ (UP)	GROUND
O SM1-6P	SEAT REAR RAISE / LOWER MOTOR	B+ (DOWN)	GROUND
O SM1-7P	SEAT FORE / AFT MOTOR	B+ (AFT)	GROUND
O SM1-8P	SEAT FORE / AFT MOTOR	B+ (FORE)	GROUND
O SM1-9P	COMMON GROUND	GROUND	GROUND
O SM1-10P	HEATER ELEMENT SUPPLY	B+	GROUND
O SM1-11P	HEADREST RAISE / LOWER MOTOR	B+ (UP)	GROUND
O SM1-12P	HEADREST RAISE / LOWER MOTOR	B+ (DOWN)	GROUND
O SM6-1P	POTENTIOMETER COMMON REFERENCE VOLTAGE	5 V	5 V
SG SM6-2P	POTENTIOMETER COMMON REFERENCE GROUND	GROUND	GROUND
O SM6-3P	HEADREST FEEDBACK VOLTAGE	0.5 V (DOWN), 4 V (UP)	
O SM6-4P	SQUAB RECLINE FEEDBACK VOLTAGE	0.5 V (BACK), 4 V (FORWARD)	
O SM6-5P	SEAT FORE / AFT FEEDBACK VOLTAGE	0.5 V (BACK), 4 V (FORWARD)	
O SM6-6P	SEAT REAR RAISE / LOWER FEEDBACK VOLTAGE	0.5 V (DOWN), 4 V (UP)	
O SM6-7P	SEAT FRONT RAISE / LOWER FEEDBACK VOLTAGE	0.5 V (DOWN), 4 V (UP)	
I SM6-8P	RECLINE AFT MOVEMENT REQUEST	B+	GROUND
I SM6-9P	SEAT AFT MOVEMENT REQUEST	B+	GROUND
I SM6-10P	SEAT FORE MOVEMENT REQUEST	B+	GROUND
O SM6-11P	LUMBAR SWITCH POWER SUPPLY	B+	B+
I SM6-14P	HEADREST LOWER MOVEMENT REQUEST	B+	GROUND
I SM6-15P	HEADREST RAISE MOVEMENT REQUEST	B+	GROUND
I SM6-18P	SEAT REAR LOWER MOVEMENT REQUEST	B+	GROUND
I SM6-17P	SEAT REAR RAISE MOVEMENT REQUEST	B+	GROUND
I SM6-18P	SEAT FRONT LOWER MOVEMENT REQUEST	B+	GROUND
I SM6-19P	SEAT FRONT RAISE MOVEMENT REQUEST	B+	GROUND
I SM6-20P	RECLINE FORE MOVEMENT REQUEST	B+	GROUND

BODY PROCESSOR MODULE

Pin	Description	Active	Inactive
O FC1-42	PASSENGER SEAT HEATER REQUEST	GROUND	B+
I FC2-12	PASSENGER SEAT HEATER SWITCH	GROUND	B+

The following symbols are used to represent values for Control Module Pin Out data:

I	Input	B+	Battery voltage
O	Output	V	Voltage (DC)
SG	Signal Ground	Hz	Frequency
D	Serial and encoded communications	KHz	Frequency x 1000
		MS	Milliseconds
		MV	Millivolts

CAUTION: The information on this data page is furnished to aid the user in understanding circuit operation. THIS INFORMATION SHOULD BE USED FOR REFERENCE ONLY.

NOTE: The values listed are approximately those that can be expected at the control module connector pins with all circuit connections made and all components connected and fitted. "Active" means a load is applied or a switch is ON; "Inactive" means a load is not applied or a switch is OFF.

COMPONENTS

Component	Connector / Type / Color	Location / Access
BODY PROCESSOR MODULE	FC1 / 48-WAY PCB SIGNAL / YELLOW FC2 / 48-WAY PCB SIGNAL / BLACK FC3 / 6-WAY PCB SIGNAL / BLACK	PASSENGER'S UNDERSCUTTLE
CENTER CONSOLE SWITCH PACK	CC1 / 16-WAY MULTILOCK 040 / BLACK	CENTER CONSOLE
IGNITION SWITCH	FC54 (FLY LEAD) / 8-WAY MULTILOCK 070 / WHITE	STEERING COLUMN / COVER
DOOR SWITCH PACK - PASSENGER	PD1 / 26-WAY MULTILOCK 47 / SLATE	ARM REST / TOP ROLL
DOOR SWITCH - PASSENGER	PD3 / 13-WAY ECONOSEAL III LC / BLACK	DOOR CASING
SEAT CONTROL MODULE - PASSENGER (NAS VEHICLES)	CA107 / 22-WAY MULTILOCK 47 / BLUE CA108 / 12-WAY MULTILOCK 47 / BLUE SM1-P / 12-WAY MULTILOCK 47 / BLUE SM6-P / 22-WAY MULTILOCK 47 / BLUE	PASSENGER'S SEAT
SEAT CUSHION - PASSENGER	SM7-P / 3-WAY MULTILOCK 070 / YELLOW	PASSENGER'S SEAT / UNDER
SEAT LUMBAR PUMP - PASSENGER	SM10-P / 3-WAY MULTILOCK 070 / YELLOW	PASSENGER'S SEAT / SQUAB
SEAT MOTORS - PASSENGER	SM2-P / 6-WAY MULTILOCK 070 / WHITE SM3-P / 6-WAY MULTILOCK 070 / YELLOW SM4-P / 6-WAY MULTILOCK 070 / SLATE SM11-P / 6-WAY MULTILOCK 070 / WHITE SM13-P / 6-WAY MULTILOCK 070 / YELLOW	PASSENGER'S SEAT / UNDER PASSENGER'S SEAT / UNDER PASSENGER'S SEAT / UNDER PASSENGER'S SEAT / SQUAB PASSENGER'S SEAT / UNDER
SEAT SWITCH PACK - PASSENGER	SMS-P / 16-WAY MULTILOCK 040 / BLACK	PASSENGER'S SEAT
SQUAB - PASSENGER	SM9-P / 3-WAY MULTILOCK 070 / SLATE	PASSENGER'S SEAT

HARNESS-TO-HARNESS CONNECTORS

Connector	Type / Color	Location / Access
CA11	20-WAY MULTILOCK 040 / BLACK	PASSENGER'S UNDERSCUTTLE / ECM
CA12	15-WAY MULTILOCK 070 / WHITE	PASSENGER'S UNDERSCUTTLE / ECM
CC3	20-WAY MULTILOCK 040 / BLACK	CENTER CONSOLE / CENTER CONSOLE GLOVE BOX
CC4	14-WAY MULTILOCK 070 / WHITE	CENTER CONSOLE / CENTER CONSOLE GLOVE BOX
FC6	THROUGH-PANEL (48 MICRO / 6) / BLACK	RH FASCIA END PANEL / OUTER AIR VENT
FC7	THROUGH-PANEL (48 MICRO / 6) / BLACK	PASSENGER'S UNDERSCUTTLE

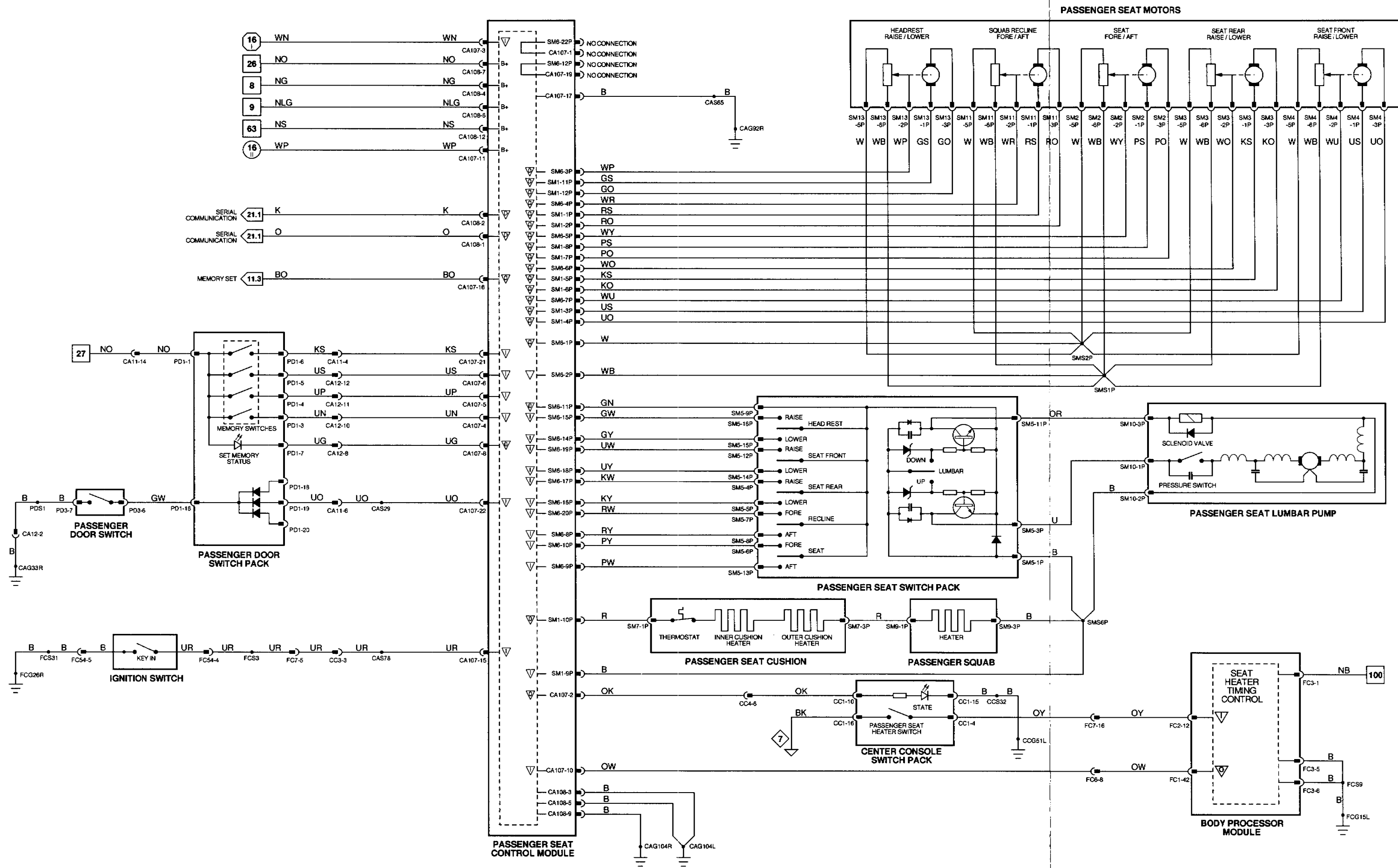
GROUNDS

Ground	Location / Type
CAG104L	LH SEAT GROUND STUD
CAG104R	LH SEAT GROUND STUD
CAG33R	RH HEELBOARD GROUND SCREW
CAG92R	RH HEELBOARD GROUND SCREW
CCG51L	CENTER CONSOLE GROUND STUD
FCG15L	LH CONSOLE GROUND STUD
FCG26R	LH CONSOLE GROUND STUD

CONTROL MODULE PIN OUT INFORMATION (FOLD OUT PAGE)



REFER TO THE FRONT OF THE BOOK FOR ILLUSTRATIONS DETAILING THE LOCATION AND IDENTIFICATION OF COMPONENTS, RELAYS, CONNECTORS, HARNESES, GROUNDS, VEHICLE CONTROL MODULES AND CONTROL MODULE PINS.



CONTROL MODULE PIN OUT INFORMATION

PASSENGER SEAT CONTROL MODULE (NAS VEHICLES)

Pin	Description	Active	Inactive
0	CA107-2	SEAT HEATER ON STATE	B+
I	CA107-3	IGNITION SWITCHED GROUND	GROUND
I	CA107-4	MEMORY POSITION 1 REQUEST	B+
I	CA107-5	MEMORY POSITION 2 REQUEST	B+
I	CA107-6	MEMORY POSITION 3 REQUEST	B+
0	CA107-8	SEAT MEMORY STATUS STATE	GROUND
I	CA107-10	SEAT HEATER REQUEST	GROUND
I	CA107-15	KEY IN IGNITION SWITCH	GROUND
0	CA107-16	MEMORY SET AUDIBLE TONE	GROUND
I	CA107-21	SET MEMORY POSITION REQUEST	B+
I	CA107-22	PASSENGER DOOR SWITCH	GROUND
D	CA108-1	SERIAL COMMUNICATION INPUT	
D	CA108-2	SERIAL COMMUNICATION OUTPUT	
0	SM1-1P	SQUAB RECLINE FORE / AFT MOTOR	B+ (AFT)
0	SM1-2P	SQUAB RECLINE FORE / AFT MOTOR	B+ (FORE)
0	SM1-3P	SEAT FRONT RAISE / LOWER MOTOR	B+ (UP)
0	SM1-4P	SEAT FRONT RAISE / LOWER MOTOR	B+ (DOWN)
0	SM1-5P	SEAT REAR RAISE / LOWER MOTOR	B+ (UP)
0	SM1-6P	SEAT REAR RAISE / LOWER MOTOR	B+ (DOWN)
0	SM1-7P	SEAT FORE / AFT MOTOR	B+ (AFT)
0	SM1-8P	SEAT FORE / AFT MOTOR	B+ (FORE)
0	SM1-9P	COMMON GROUND	GROUND
0	SM1-10P	HEATER ELEMENT SUPPLY	B+
0	SM1-11P	HEADREST RAISE / LOWER MOTOR	B+ (UP)
0	SM1-12P	HEADREST RAISE / LOWER MOTOR	B+ (DOWN)
0	SM6-1P	POTENTIOMETER COMMON REFERENCE VOLTAGE	5 V
SG	SM6-2P	POTENTIOMETER COMMON REFERENCE GROUND	GROUND
0	SM6-3P	HEADREST FEEDBACK VOLTAGE	0.5 V (DOWN), 4 V (UP)
0	SM6-4P	SQUAB RECLINE FEEDBACK VOLTAGE	0.5 V (BACK), 4 V (FORWARD)
0	SM6-5P	SEAT FORE / AFT FEEDBACK VOLTAGE	0.5 V (BACK), 4 V (FORWARD)
0	SM6-6P	SEAT REAR RAISE / LOWER FEEDBACK VOLTAGE	0.5 V (DOWN), 4 V (UP)
0	SM6-7P	SEAT FRONT RAISE / LOWER FEEDBACK VOLTAGE	0.5 V (DOWN), 4 V (UP)
I	SM6-8P	RECLINE AFT MOVEMENT REQUEST	B+
I	SM6-9P	SEAT AFT MOVEMENT REQUEST	B+
I	SM6-10P	SEAT FORE MOVEMENT REQUEST	B+
0	SM6-11P	LUMBAR SWITCH POWER SUPPLY	B+
I	SM6-14P	HEADREST LOWER MOVEMENT REQUEST	B+
I	SM6-15P	HEADREST RAISE MOVEMENT REQUEST	B+
I	SM6-16P	SEAT REAR LOWER MOVEMENT REQUEST	B+
I	SM6-17P	SEAT REAR RAISE MOVEMENT REQUEST	B+
I	SM6-18P	SEAT FRONT LOWER MOVEMENT REQUEST	B+
I	SM6-19P	SEAT FRONT RAISE MOVEMENT REQUEST	B+
I	SM6-20P	RECLINE FORE MOVEMENT REQUEST	B+

BODY PROCESSOR MODULE

Pin	Description	Active	Inactive
0	FC1-42	PASSENGER SEAT HEATER REQUEST	GROUND
I	FC2-12	PASSENGER SEAT HEATER SWITCH	GROUND

The following symbols are used to represent values for Control Module Pin Out data:

I	Input	B+	Battery voltage
O	Output	V	Voltage (DC)
SG	Signal Ground	Hz	Frequency
D	Serial and encoded communications	KHz	Frequency x 1000
		MS	Milliseconds
		MV	Millivolts

CAUTION: The information on this data page is furnished to aid the user in understanding circuit operation. THIS INFORMATION SHOULD BE USED FOR REFERENCE ONLY.

NOTE: The values listed are approximately those that can be expected at the control module connector pins with all circuit connections made and all components connected and fitted. "Active" means a load is applied or a switch is ON; "Inactive" means a load is not applied or a switch is OFF.

Fig. 14.8

COMPONENTS

Component	Connector / Type / Color	Location / Access
BODY PROCESSOR MODULE	FC1 / 48-WAY PCB SIGNAL / YELLOW FC2 / 48-WAY PCB SIGNAL / BLACK FC3 / 6-WAY PCB SIGNAL / BLACK	PASSENGER'S UNDERSCUTTLE
CENTER CONSOLE SWITCH PACK	CC1 / 16-WAY MULTILOCK 040 / BLACK	CENTER CONSOLE
IGNITION SWITCH	FC54 (FLY LEAD) / 8-WAY MULTILOCK 070 / WHITE	STEERING COLUMN / COVER
DOOR SWITCH PACK - PASSENGER	PD1 / 26-WAY MULTILOCK 47 / SLATE	ARM REST / TOP ROLL
DOOR SWITCH - PASSENGER	PD3 / 13-WAY ECONOSEAL III LC / BLACK	DOOR CASING
SEAT CONTROL MODULE - PASSENGER (NAS VEHICLES)	CA107 / 22-WAY MULTILOCK 47 / BLUE CA108 / 12-WAY MULTILOCK 47 / BLUE SM1-P / 12-WAY MULTILOCK 47 / BLUE SM6-P / 22-WAY MULTILOCK 47 / BLUE	PASSENGER'S SEAT
SEAT CUSHION - PASSENGER	SM7-P / 3-WAY MULTILOCK 070 / YELLOW	PASSENGER'S SEAT / UNDER
SEAT FORE/AFT SWITCHES - PASSENGER, REAR	SM19 / 10-WAY AMP MOL / BLACK	FRONT LOWER SEAT / INSIDE
SEAT LUMBAR PUMP - PASSENGER	SM10-P / 3-WAY MULTILOCK 070 / YELLOW	PASSENGER'S SEAT / SQUAB
SEAT MOTORS - PASSENGER	SM2-P / 6-WAY MULTILOCK 070 / WHITE SM3-P / 6-WAY MULTILOCK 070 / YELLOW SM4-P / 6-WAY MULTILOCK 070 / SLATE SM11-P / 6-WAY MULTILOCK 070 / WHITE SM13-P / 6-WAY MULTILOCK 070 / YELLOW	PASSENGER'S SEAT / UNDER PASSENGER'S SEAT / UNDER PASSENGER'S SEAT / SQUAB PASSENGER'S SEAT / UNDER
SEAT RECLINE SWITCHES - PASSENGER, REAR	SM20 / 10-WAY AMP MOL / NATURAL	FRONT LOWER SEAT / INSIDE
SEAT SWITCH PACK - PASSENGER	SM5-P / 16-WAY MULTILOCK 040 / BLACK	PASSENGER'S SEAT
SQUAB - PASSENGER	SM9-P / 3-WAY MULTILOCK 070 / SLATE	PASSENGER'S SEAT

HARNESS-TO-HARNESS CONNECTORS

Connector	Type / Color	Location / Access
CA11	20-WAY MULTILOCK 040 / BLACK	PASSENGER'S UNDERSCUTTLE / ECM
CA12	15-WAY MULTILOCK 070 / WHITE	PASSENGER'S UNDERSCUTTLE / ECM
CC3	20-WAY MULTILOCK 040 / BLACK	CENTER CONSOLE / CENTER CONSOLE GLOVE BOX
CC4	14-WAY MULTILOCK 070 / WHITE	CENTER CONSOLE / CENTER CONSOLE GLOVE BOX
FC6	THROUGH-PANEL (48 MICRO / 6) / BLACK	RH FASCIA END PANEL / OUTER AIR VENT
FC7	THROUGH-PANEL (48 MICRO / 6) / BLACK	PASSENGER'S UNDERSCUTTLE

GROUNDS

Ground	Location / Type
CAG104L	LH SEAT GROUND STUD
CAG104R	LH SEAT GROUND STUD
CAG33R	RH HEELBOARD GROUND SCREW
CAG92R	RH HEELBOARD GROUND SCREW
CCG51L	CENTER CONSOLE GROUND STUD
FCG15L	LH CONSOLE GROUND STUD
FCG26R	LH CONSOLE GROUND STUD

CONTROL MODULE PIN OUT INFORMATION (FOLD OUT PAGE)



REFER TO THE FRONT OF THE BOOK FOR ILLUSTRATIONS DETAILING THE LOCATION AND IDENTIFICATION OF COMPONENTS, RELAYS, CONNECTORS, HARNESES, GROUNDS, VEHICLE CONTROL MODULES AND CONTROL MODULE PINS.

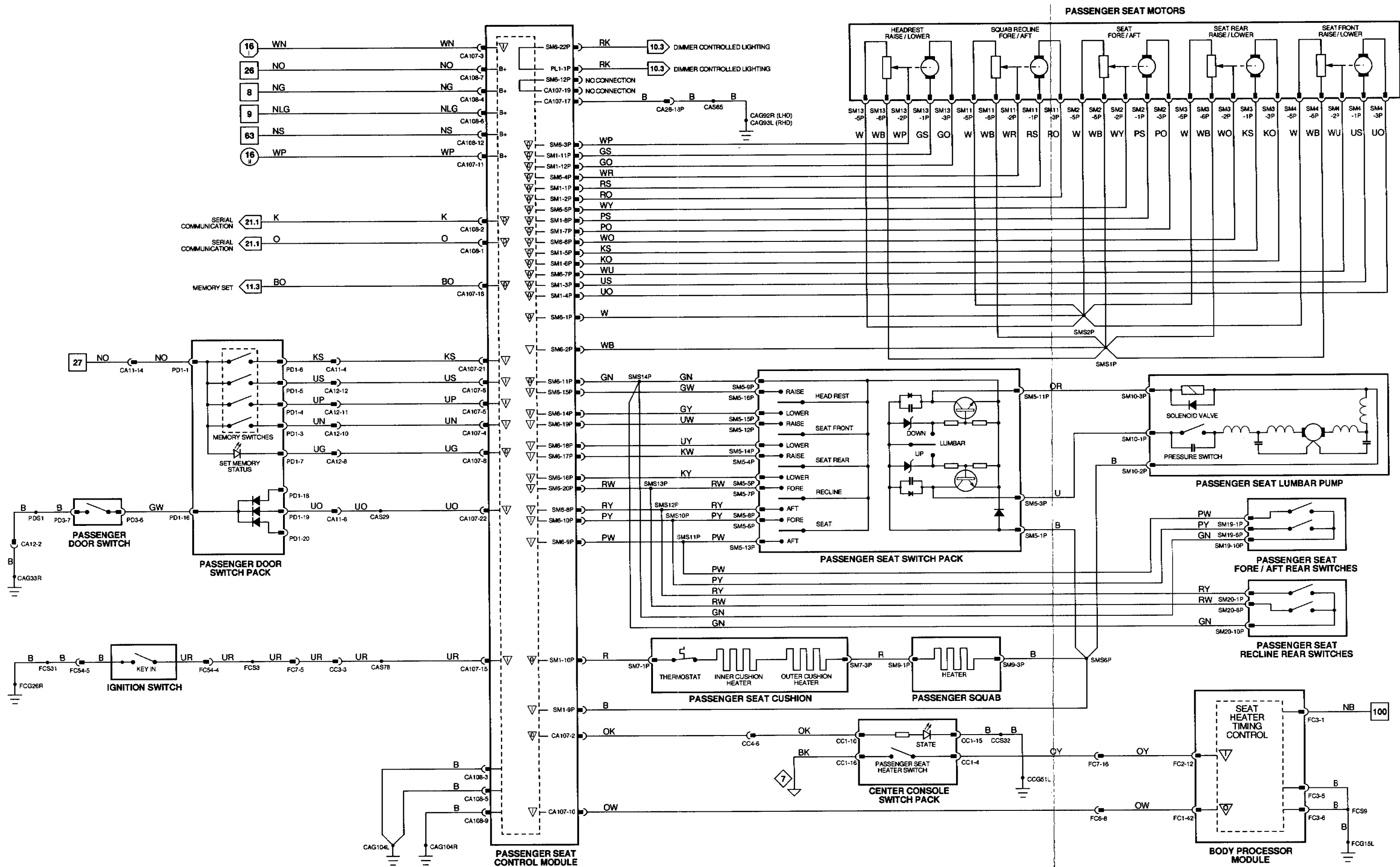


Fig. 14.9

CONTROL MODULE PIN OUT INFORMATION

PASSENGER SEAT CONTROL MODULE (ROW, MEMORY SEAT VEHICLES)

Pin	Description	Active	Inactive
O PL1-2P	SEAT HEATER ON STATE	B+	GROUND
I PL1-3P	IGNITION SWITCHED POWER	GROUND	B+
I PL1-10P	SEAT HEATER REQUEST	GROUND	B+
I PL1-15P	KEY IN IGNITION SIGNAL	GROUND	B+
I PL1-22P	PASSENGER DOOR AJAR	GROUND	7.9 V
D PL2-1P	SERIAL COMMUNICATION INPUT		
D PL2-2P	SERIAL COMMUNICATION OUTPUT		
O SM1-1P	SQUAB RECLINE FORE / AFT MOTOR	B+ (AFT)	GROUND
O SM1-2P	SQUAB RECLINE FORE / AFT MOTOR	B+ (FORE)	GROUND
O SM1-3P	SEAT FRONT RAISE / LOWER MOTOR	B+ (UP)	GROUND
O SM1-4P	SEAT FRONT RAISE / LOWER MOTOR	B+ (DOWN)	GROUND
O SM1-5P	SEAT REAR RAISE / LOWER MOTOR	B+ (UP)	GROUND
O SM1-6P	SEAT REAR RAISE / LOWER MOTOR	B+ (DOWN)	GROUND
O SM1-7P	SEAT FORE / AFT MOTOR	B+ (AFT)	GROUND
O SM1-8P	SEAT FORE / AFT MOTOR	B+ (FORE)	GROUND
I SM1-9P	COMMON GROUND	GROUND	GROUND
O SM1-10P	HEATER ELEMENT SUPPLY	B+	B+
O SM1-11P	HEADREST RAISE / LOWER MOTOR	B+ (UP)	GROUND
O SM1-12P	HEADREST RAISE / LOWER MOTOR	B+ (DOWN)	GROUND
I SM6-8P	RECLINE AFT MOVEMENT REQUEST	B+	GROUND
I SM6-9P	SEAT AFT MOVEMENT REQUEST	B+	GROUND
I SM6-10P	SEAT FORE MOVEMENT REQUEST	B+	GROUND
O SM6-11P	LUMBAR SWITCH POWER SUPPLY	B+	B+
I SM6-14P	HEADREST LOWER MOVEMENT REQUEST	B+	GROUND
I SM6-15P	HEADREST RAISE MOVEMENT REQUEST	B+	GROUND
I SM6-16P	SEAT REAR LOWER MOVEMENT REQUEST	B+	GROUND
I SM6-17P	SEAT REAR RAISE MOVEMENT REQUEST	B+	GROUND
I SM6-18P	SEAT FRONT LOWER MOVEMENT REQUEST	B+	GROUND
I SM6-19P	SEAT FRONT RAISE MOVEMENT REQUEST	B+	GROUND
I SM6-20P	RECLINE FORE MOVEMENT REQUEST	B+	GROUND

BODY PROCESSOR MODULE

Pin	Description	Active	Inactive
O FC1-42	PASSENGER SEAT HEATER REQUEST	GROUND	B+
I FC2-12	PASSENGER SEAT HEATER SWITCH	GROUND	B+

The following symbols are used to represent values for Control Module Pin Out data:

I Input	B+ Battery voltage
O Output	V Voltage (DC)
SG Signal Ground	Hz Frequency
D Serial and encoded communications	KHz Frequency x 1000
	MS Milliseconds
	MV Millivolts

CAUTION: The information on this data page is furnished to aid the user in understanding circuit operation. THIS INFORMATION SHOULD BE USED FOR REFERENCE ONLY.

NOTE: The values listed are approximately those that can be expected at the control module connector pins with all circuit connections made and all components connected and fitted. "Active" means a load is applied or a switch is ON; "Inactive" means a load is not applied or a switch is OFF.

COMPONENTS

Component	Connector / Type / Color	Location / Access
BODY PROCESSOR MODULE	FC1 / 48-WAY PCB SIGNAL / YELLOW FC2 / 48-WAY PCB SIGNAL / BLACK FC3 / 8-WAY PCB SIGNAL / BLACK	PASSENGER'S UNDERSCUTTLE
CENTER CONSOLE SWITCH PACK	CC1 / 16-WAY MULTILOCK 040 / BLACK	CENTER CONSOLE
IGNITION SWITCH	FC54 (FLY LEAD) / 8-WAY MULTILOCK 070 / WHITE	STEERING COLUMN / COVER
DOOR SWITCH - PASSENGER	PD3 / 13-WAY ECONOSEAL III LC / BLACK	DOOR CASING
DOOR SWITCH PACK - PASSENGER	PD1 / 26-WAY MULTILOCK 47 / SLATE	ARM REST / TOP ROLL
SEAT CONTROL MODULE - PASSENGER (ROW, MEMORY SEAT VEHICLES)	PL1 / 22-WAY MULTILOCK 47 / BLUE PL2 / 12-WAY MULTILOCK 47 / BLUE SM1-P / 12-WAY MULTILOCK 47 / WHITE SM6-P / 22-WAY MULTILOCK 47 / WHITE	PASSENGER'S SEAT
SEAT CUSHION - PASSENGER	SM7-P / 3-WAY MULTILOCK 070 / YELLOW	PASSENGER'S SEAT / UNDER
SEAT LUMBAR PUMP - PASSENGER	SM10-P / 3-WAY MULTILOCK 070 / YELLOW	PASSENGER'S SEAT / SQUAB
SEAT MOTORS - PASSENGER	SM2-P / 6-WAY MULTILOCK 070 / WHITE SM3-P / 6-WAY MULTILOCK 070 / YELLOW SM4-P / 6-WAY MULTILOCK 070 / SLATE SM11-P / 6-WAY MULTILOCK 070 / WHITE SM13-P / 6-WAY MULTILOCK 070 / YELLOW	PASSENGER'S SEAT / UNDER PASSENGER'S SEAT / UNDER PASSENGER'S SEAT / UNDER PASSENGER'S SEAT / SQUAB PASSENGER'S SEAT / UNDER
SEAT SWITCH PACK - PASSENGER	SM5-P / 16-WAY MULTILOCK 040 / BLACK	PASSENGER'S SEAT
SQUAB - PASSENGER	SM9-P / 3-WAY MULTILOCK 070 / SLATE	PASSENGER'S SEAT

HARNESS-TO-HARNESS CONNECTORS

Connector	Type / Color	Location / Access
CA11	20-WAY MULTILOCK 040 / BLACK	PASSENGER'S UNDERSCUTTLE / ECM
CA12	15-WAY MULTILOCK 070 / WHITE	PASSENGER'S UNDERSCUTTLE / ECM
CA27	6-WAY MULTILOCK 070 / WHITE	PASSENGER'S SEAT / UNDER
CA28	20-WAY MULTILOCK 040 / BLACK	PASSENGER'S SEAT / UNDER
CC3	20-WAY MULTILOCK 040 / BLACK	CENTER CONSOLE / CENTER CONSOLE GLOVE BOX
CC4	14-WAY MULTILOCK 070 / WHITE	CENTER CONSOLE / CENTER CONSOLE GLOVE BOX
FC6	THROUGH-PANEL (48 MICRO / 6) / BLACK	RH FASCIA END PANEL / OUTER AIR VENT
FC7	THROUGH-PANEL (48 MICRO / 6) / BLACK	PASSENGER'S UNDERSCUTTLE

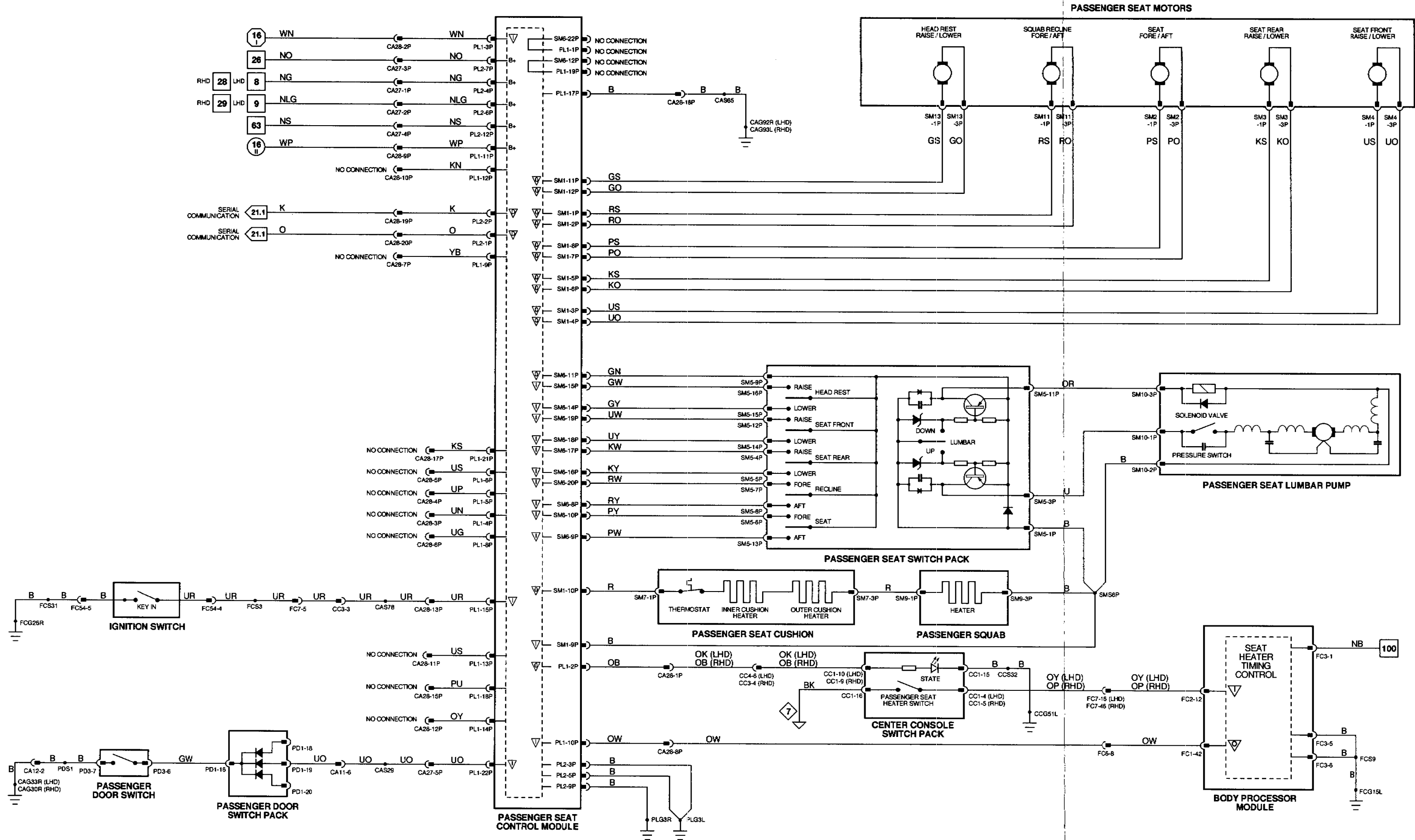
GROUNDS

Ground	Location / Type
CAG30R	LH 'A' POST GROUND SCREW
CAG33R	RH HEELBOARD GROUND SCREW
CAG92R	RH HEELBOARD GROUND SCREW
CAG93L	LH HEELBOARD GROUND SCREW
CCG51L	CENTER CONSOLE GROUND STUD
FCG15L	LH CONSOLE GROUND STUD
FCG26R	LH CONSOLE GROUND STUD
PLG3L	LH SEAT GROUND SCREW
PLG3R	LH SEAT GROUND SCREW

CONTROL MODULE PIN OUT INFORMATION (FOLD OUT PAGE)



REFER TO THE FRONT OF THE BOOK FOR ILLUSTRATIONS DETAILING THE LOCATION AND IDENTIFICATION OF COMPONENTS, RELAYS, CONNECTORS, HARNESES, GROUNDS, VEHICLE CONTROL MODULES AND CONTROL MODULE PINS.



CONTROL MODULE PIN OUT INFORMATION

BODY PROCESSOR MODULE

Pin	Description	Active	Inactive
O FC1-42	PASSENGER SEAT HEATER REQUEST	GROUND	B+
I FC2-12	PASSENGER SEAT HEATER SWITCH	GROUND	B+

Fig. 14.10

COMPONENTS

Component	Connector / Type / Color	Location / Access
BODY PROCESSOR MODULE	FC1 / 48-WAY PCB SIGNAL / YELLOW FC2 / 48-WAY PCB SIGNAL / BLACK FC3 / 6-WAY PCB SIGNAL / BLACK	PASSENGER'S UNDERSCUTTLE
CENTER CONSOLE SWITCH PACK	CC1 / 16-WAY MULTILOCK 040 / BLACK	CENTER CONSOLE
SEAT CUSHION - PASSENGER	SM7-P / 3-WAY MULTILOCK 070 / YELLOW	PASSENGER'S SEAT / UNDER
SEAT MOTOR - PASSENGER (SEAT RAISE / LOWER VEHICLES)	SM16-P / 6-WAY MULTILOCK 070 / SLATE	PASSENGER'S SEAT / UNDER
SEAT SWITCH PACK - PASSENGER (SEAT RAISE / LOWER VEHICLES)	SM17-P / 16-WAY MULTILOCK 040 / BLACK	PASSENGER'S SEAT
SQUAB - PASSENGER	SMS-P / 3-WAY MULTILOCK 070 / SLATE	PASSENGER'S SEAT

RELAYS

Relay	Color / Stripe	Connector / Color	Location / Access
SEAT HEATER RELAY - PASSENGER	BLACK	SM18-P / BLUE	PASSENGER'S SEAT
SEAT LOWER RELAY - PASSENGER	BLACK / VIOLET	SM14-P / BLUE	PASSENGER'S SEAT
SEAT RAISE RELAY - PASSENGER	BLACK / VIOLET	SM14-P / BLUE	PASSENGER'S SEAT

HARNESS-TO-HARNESS CONNECTORS

Connector	Type / Color	Location / Access
CA27	6-WAY MULTILOCK 070 / WHITE	PASSENGER'S SEAT / UNDER
CA28	20-WAY MULTILOCK 040 / BLACK	PASSENGER'S SEAT / UNDER
CC3	20-WAY MULTILOCK 040 / BLACK	CENTER CONSOLE / CENTER CONSOLE GLOVE BOX
CC4	14-WAY MULTILOCK 070 / WHITE	CENTER CONSOLE / CENTER CONSOLE GLOVE BOX
FC6	THROUGH-PANEL (48 MICRO / 6) / BLACK	RH FASCIA END PANEL / OUTER AIR VENT
FC7	THROUGH-PANEL (48 MICRO / 6) / BLACK	PASSENGER'S UNDERSCUTTLE
ML1-P	10-WAY MULTILOCK 070 / WHITE	PASSENGER'S SEAT / UNDER

GROUNDS

Ground	Location / Type
COG51L	CENTER CONSOLE GROUND STUD
FCG15L	LH CONSOLE GROUND STUD
MLG2L	LH SEAT GROUND SCREW
MLG2R	LH SEAT GROUND SCREW

CONTROL MODULE PIN OUT INFORMATION (FOLD OUT PAGE)



The following symbols are used to represent values for Control Module Pin Out data:

I	Input	B+	Battery voltage
O	Output	V	Voltage (DC)
SG	Signal Ground	Hz	Frequency
D	Serial and encoded communications	KHz	Frequency x 1000
		MS	Milliseconds
		MV	Millivolts

CAUTION: The information on this data page is furnished to aid the user in understanding circuit operation. THIS INFORMATION SHOULD BE USED FOR REFERENCE ONLY.

NOTE: The values listed are approximately those that can be expected at the control module connector pins with all circuit connections made and all components connected and fitted. "Active" means a load is applied or a switch is ON; "Inactive" means a load is not applied or a switch is OFF.

REFER TO THE FRONT OF THE BOOK FOR ILLUSTRATIONS DETAILING THE LOCATION AND IDENTIFICATION OF COMPONENTS, RELAYS, CONNECTORS, HARNESSSES, GROUNDS, VEHICLE CONTROL MODULES AND CONTROL MODULE PINS.

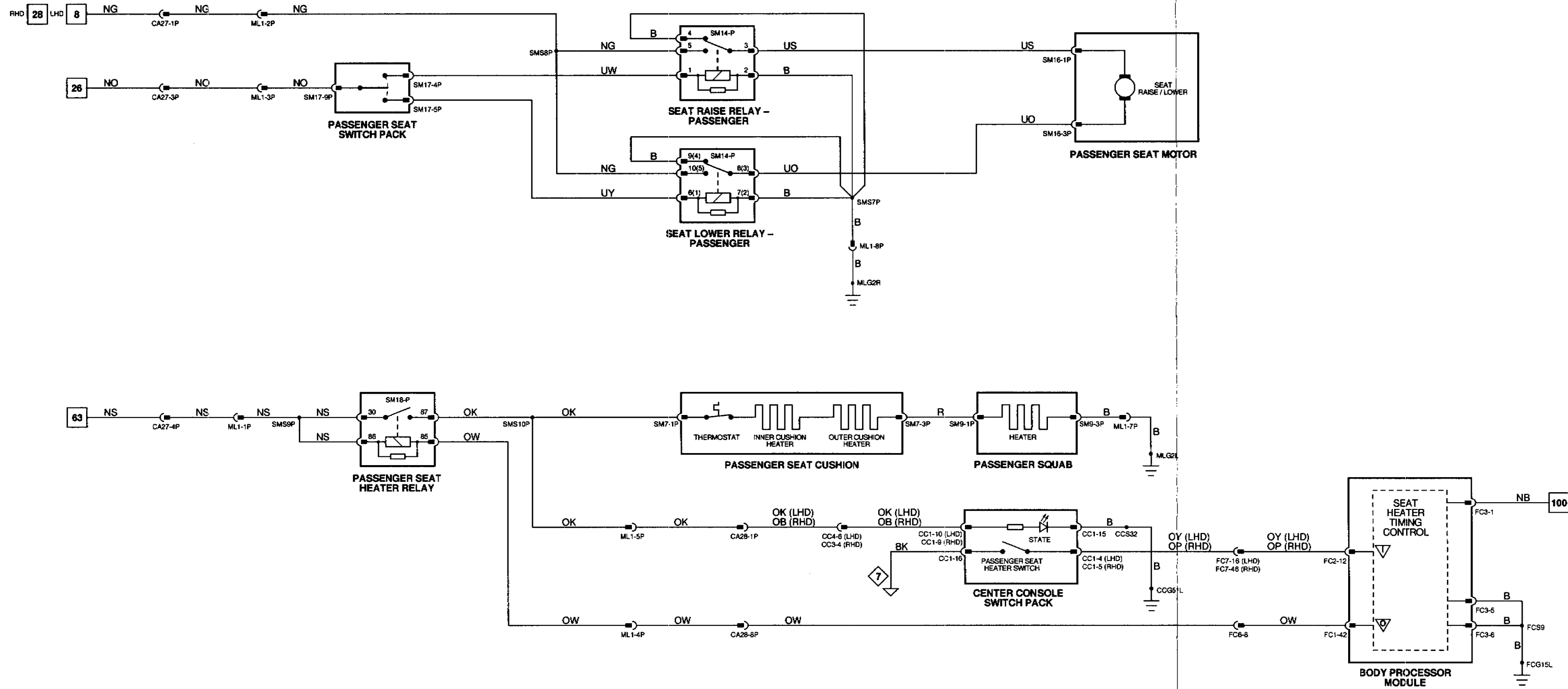


Fig. 14.11

CONTROL MODULE PIN OUT INFORMATION

BODY PROCESSOR MODULE

Pin	Description	Active	Inactive
0 FC1-42	PASSENGER SEAT HEATER REQUEST	GROUND	B+
I FC2-12	PASSENGER SEAT HEATER SWITCH	GROUND	B+

COMPONENTS

Component	Connector / Type / Color	Location / Access
BODY PROCESSOR MODULE	FC1 / 48-WAY PCB SIGNAL / YELLOW FC2 / 48-WAY PCB SIGNAL / BLACK FC3 / 6-WAY PCB SIGNAL / BLACK	PASSENGER'S UNDERSCUTTLE
CENTER CONSOLE SWITCH PACK SEAT CUSHION - PASSENGER SQUAB - PASSENGER	CC1 / 16-WAY MULTILOCK 040 / BLACK SM7-P / 3-WAY MULTILOCK 070 / YELLOW SM9-P / 3-WAY MULTILOCK 070 / SLATE	CENTER CONSOLE PASSENGER'S SEAT / UNDER PASSENGER'S SEAT

RELAYS

Relay	Color / Stripe	Connector / Color	Location / Access
SEAT HEATER RELAY - PASSENGER	BLACK	SM18-P / BLUE	PASSENGER'S SEAT

HARNESS-TO-HARNESS CONNECTORS

Connector	Type / Color	Location / Access
CA27	6-WAY MULTILOCK 070 / WHITE	PASSENGER'S SEAT / UNDER
CA28	20-WAY MULTILOCK 040 / BLACK	PASSENGER'S SEAT / UNDER
CC3	20-WAY MULTILOCK 040 / BLACK	CENTER CONSOLE / CENTER CONSOLE GLOVE BOX
CC4	14-WAY MULTILOCK 070 / WHITE	CENTER CONSOLE / CENTER CONSOLE GLOVE BOX
FC6	THROUGH-PANEL (48 MICRO / 6) / BLACK	RH FASCIA END PANEL / OUTER AIR VENT
FC7	THROUGH-PANEL (48 MICRO / 6) / BLACK	PASSENGER'S UNDERSCUTTLE
ML1-P	10-WAY MULTILOCK 070 / WHITE	PASSENGER'S SEAT / UNDER

GROUNDS

Ground	Location / Type
CCG51L	CENTER CONSOLE GROUND STUD
FCG15L	LH CONSOLE GROUND STUD
MLG2L	LH SEAT GROUND SCREW

CONTROL MODULE PIN OUT INFORMATION (FOLD OUT PAGE)



The following symbols are used to represent values for Control Module Pin Out data:

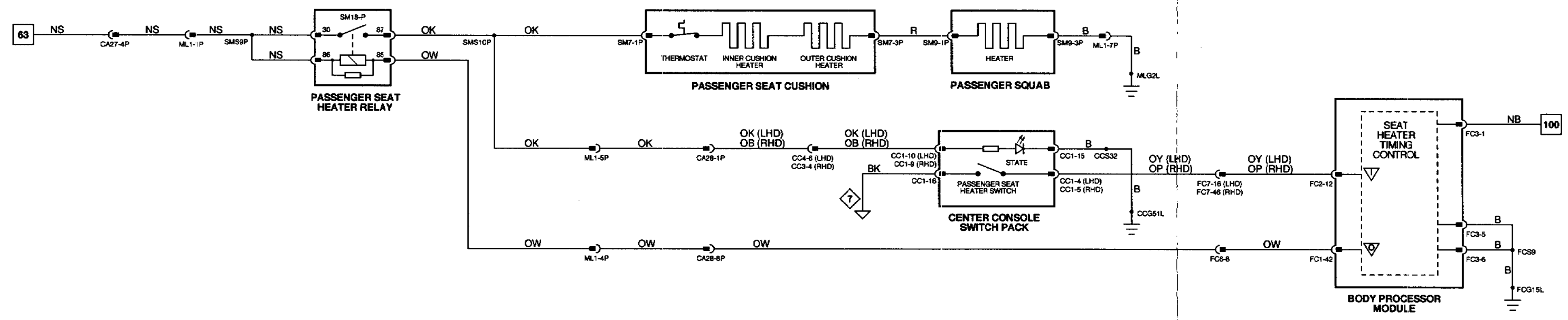
I Input	B+ Battery voltage
O Output	V Voltage (DC)
SG Signal Ground	Hz Frequency
D Serial and encoded communications	KHz Frequency x 1000
	MS Milliseconds
	MV Millivolts

CAUTION: The information on this data page is furnished to aid the user in understanding circuit operation. THIS INFORMATION SHOULD BE USED FOR REFERENCE ONLY.

NOTE: The values listed are approximately those that can be expected at the control module connector pins with all circuit connections made and all components connected and fitted. "Active" means a load is applied or a switch is ON; "Inactive" means a load is not applied or a switch is OFF.

REFER TO THE FRONT OF THE BOOK FOR ILLUSTRATIONS DETAILING THE LOCATION AND IDENTIFICATION OF COMPONENTS, RELAYS, CONNECTORS, HARNESSES, GROUNDS, VEHICLE CONTROL MODULES AND CONTROL MODULE PINS.

DATE OF ISSUE: NOVEMBER 1995



CONTROL MODULE PIN OUT INFORMATION

REAR SEAT CONTROL MODULE

Pin	Description	Active	Inactive
I BS1-11	LH LUMBAR SWITCH INFLATE	B+	0V
O BS6-1	RH REAR SEAT LUMBAR PUMP FEED	B+	B+
O BS6-2	RH REAR SEAT LUMBAR DEFLATE SOLENOID VALVE	B+	0V
O BS6-3	LH REAR SEAT MOTOR - FORE / AFT MOTOR	B+	0V
O BS6-4	LH REAR SEAT MOTOR - FORE / AFT MOTOR	B+	0V
O BS6-5	LH REAR SEAT - HEADREST MOTOR	B+	0V
O BS6-6	LH REAR SEAT - HEADREST MOTOR	B+	0V
O BS6-7	RH REAR SEAT MOTOR - FORE / AFT MOTOR	B+	0V
O BS6-8	RH REAR SEAT MOTOR - FORE / AFT MOTOR	B+	0V
O BS6-10	LH REAR SEAT LUMBAR PUMP FEED	B+	B+
O BS6-11	RH REAR SEAT - HEADREST MOTOR	B+	0V
O BS6-12	RH REAR SEAT - HEADREST MOTOR	B+	0V
I BS7-8	RH LUMBAR SWITCH - INFLATE REQUEST	B+	0V
I BS7-9	RH FORE / AFT SWITCH - AFT REQUEST	B+	0V
I BS7-10	RH FORE / AFT SWITCH - FORE REQUEST	B+	0V
I BS7-14	RH HEADREST SWITCH - LOWER REQUEST	B+	0V
I BS7-15	RH HEADREST SWITCH - RAISE REQUEST	B+	0V
I BS7-16	LH HEADREST SWITCH - LOWER REQUEST	B+	0V
I BS7-17	LH HEADREST SWITCH - RAISE REQUEST	B+	0V
I BS7-18	LH FORE / AFT SWITCH - AFT REQUEST	B+	0V
I BS7-19	LH FORE / AFT SWITCH - FORE REQUEST	B+	0V
I BS7-20	RH LUMBAR SWITCH - DEFLATE REQUEST	B+	0V

The following symbols are used to represent values for Control Module Pin Out data:

I Input	B+ Battery voltage
O Output	V Voltage (DC)
SG Signal Ground	Hz Frequency
D Serial and encoded communications	KHz Frequency x 1000
	MS Milliseconds
	MV Millivolts

CAUTION: The information on this data page is furnished to aid the user in understanding circuit operation. THIS INFORMATION SHOULD BE USED FOR REFERENCE ONLY.

NOTE: The values listed are approximately those that can be expected at the control module connector pins with all circuit connections made and all components connected and fitted. "Active" means a load is applied or a switch is ON; "Inactive" means a load is not applied or a switch is OFF.

Fig. 14.12

COMPONENTS

Component	Connector / Type / Color	Location / Access
SEAT CONTROL MODULE - REAR BS2 / 12-WAY MULTILOCK 47 / BLUE BS6 / 12-WAY MULTILOCK 47 / WHITE BS7 / 22-WAY MULTILOCK 47 / WHITE	BS1 / 22-WAY MULTILOCK 47 / BLUE REAR SEATS, CENTER / BEHIND REAR SEATS, CENTER / BEHIND REAR SEATS, CENTER / BEHIND	REAR SEATS, CENTER / BEHIND
SEAT CUSHION - LH REAR	BB1-L / 3-WAY MULTILOCK 070 / YELLOW	LH REAR SEAT / INSIDE
SEAT CUSHION - RH REAR	BB1-R / 3-WAY MULTILOCK 070 / YELLOW	RH REAR SEAT / INSIDE
SEAT FORE/AFT MOTOR - LH REAR	BB2-L / 3-WAY MULTILOCK 070 / WHITE	LH REAR SEAT / INSIDE
SEAT FORE/AFT MOTOR - RH REAR	BB2-R / 3-WAY MULTILOCK 070 / WHITE	RH REAR SEAT / INSIDE
SEAT FORE/AFT SWITCH - LH REAR	BC3 / 10-WAY AMP MLQ / BLACK	REAR SEAT SWITCH PACK / UNDER
SEAT FORE/AFT SWITCH - RH REAR	BC5 / 10-WAY AMP MLQ / BLACK	REAR SEAT SWITCH PACK / UNDER
SEAT HEADREST MOTOR - LH REAR	BB3-L / 6-WAY MULTILOCK 070 / YELLOW	LH REAR SEAT / INSIDE
SEAT HEADREST MOTOR - RH REAR	BB3-R / 6-WAY MULTILOCK 070 / YELLOW	RH REAR SEAT / INSIDE
SEAT HEADREST SWITCH - LH REAR	BC4 / 10-WAY AMP MLQ / BLACK	REAR SEAT SWITCH PACK / UNDER
SEAT HEADREST SWITCH - RH REAR	BC7 / 10-WAY AMP MLQ / BLACK	REAR SEAT SWITCH PACK / UNDER
SEAT HEATER SWITCH - LH REAR	BC1 / 10-WAY AMP MLQ / BLACK	CENTER CONSOLE / REAR
SEAT HEATER SWITCH - RH REAR	BC2 / 10-WAY AMP MLQ / BLACK	CENTER CONSOLE / REAR
SEAT HEATER TIMER - LH REAR	CA111 / 5-WAY RELAY BASE / YELLOW	LH HEELBOARD / HEELBOARD COVER
SEAT HEATER TIMER - RH REAR	CA112 / 5-WAY RELAY BASE / YELLOW	RH HEELBOARD / HEELBOARD COVER
SEAT LUMBAR PUMP - LH REAR	BB4-L / 3-WAY MULTILOCK 070 / YELLOW	LH REAR SEAT / INSIDE
SEAT LUMBAR PUMP - RH REAR	BB4-R / 3-WAY MULTILOCK 070 / YELLOW	RH REAR SEAT / INSIDE
SEAT LUMBAR SWITCH - LH REAR	BC8 / 10-WAY AMP MLQ / BLACK	REAR SEAT SWITCH PACK / UNDER
SEAT LUMBAR SWITCH - RH REAR	BC6 / 10-WAY AMP MLQ / BLACK	REAR SEAT SWITCH PACK / UNDER
SEAT SQUAB - LH REAR	BB5-L / 3-WAY MULTILOCK 070 / SLATE	LH REAR SEAT / INSIDE
SEAT SQUAB - RH REAR	BB5-R / 3-WAY MULTILOCK 070 / SLATE	RH REAR SEAT / INSIDE

RELAYS

Relay	Color / Stripes	Connector / Color	Location / Access
LUMBAR DEFLATE RELAY - LH REAR	BLACK / BLUE	CA54 / BLUE	RH HEELBOARD

HARNESSTO-HARNESSTO CONNECTORS

Connector	Type / Color	Location / Access
BS3	8-WAY MULTILOCK 070 / YELLOW	LH REAR SEAT / UNDER
BS4	20-WAY MULTILOCK 070 / WHITE	REAR SEAT CONSOLE / UNDER
BS5	8-WAY MULTILOCK 070 / YELLOW	RH REAR SEAT / UNDER
BT4	THROUGH-PANEL (48 MICRO / 6) / BLACK	PARCEL SHELF / FUEL TANK TRIM
CA109	12-WAY MULTILOCK 070 / WHITE	RH REAR SEAT / UNDER

GROUNDS

Ground	Location / Type
CAG110L	RH SEAT GROUND STUD
CAG110R	RH SEAT GROUND STUD

CONTROL MODULE PIN OUT INFORMATION (FOLD OUT PAGE)



REFER TO THE FRONT OF THE BOOK FOR ILLUSTRATIONS DETAILING THE LOCATION AND IDENTIFICATION OF COMPONENTS, RELAYS, CONNECTORS, HARNESSES, GROUNDS, VEHICLE CONTROL MODULES AND CONTROL MODULE PINS.

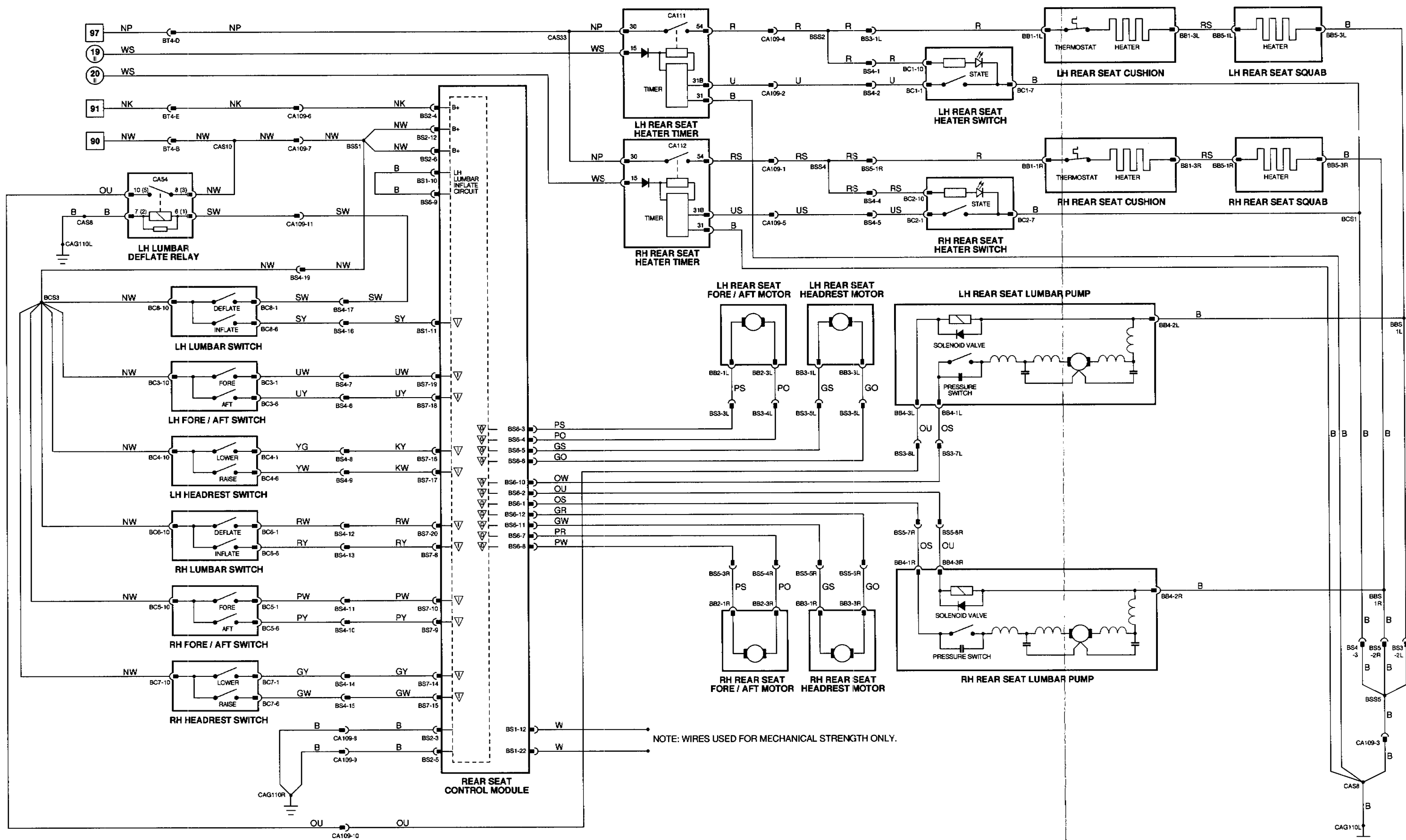


Fig. 14.13**COMPONENTS****Component**

SEAT CUSHION - LH REAR
 SEAT CUSHION - RH REAR
 SEAT HEATER SWITCH - LH REAR
 SEAT HEATER SWITCH - RH REAR
 SEAT HEATER TIMER - LH REAR
 SEAT HEATER TIMER - RH REAR
 SEAT SQUAB - LH REAR
 SEAT SQUAB - RH REAR

Connector / Type / Color

BB1-L / 3-WAY MULTILOCK 070 / YELLOW
 BB1-R / 3-WAY MULTILOCK 070 / YELLOW
 BC1 / 10-WAY AMP MLQ / BLACK
 BC2 / 10-WAY AMP MLQ / BLACK
 CA111 / 5-WAY RELAY BASE / YELLOW
 CA112 / 5-WAY RELAY BASE / YELLOW
 BB5-L / 3-WAY MULTILOCK 070 / SLATE
 BB5-R / 3-WAY MULTILOCK 070 / SLATE

Location / Access

LH REAR SEAT / INSIDE
 RH REAR SEAT / INSIDE
 CENTER CONSOLE / REAR
 CENTER CONSOLE / REAR
 LH HEELBOARD / HEELBOARD COVER
 RH HEELBOARD / HEELBOARD COVER
 LH REAR SEAT / INSIDE
 RH REAR SEAT / INSIDE

HARNESSTO-HARNESSTO CONNECTORS**Connector****Type / Color****Location / Access**

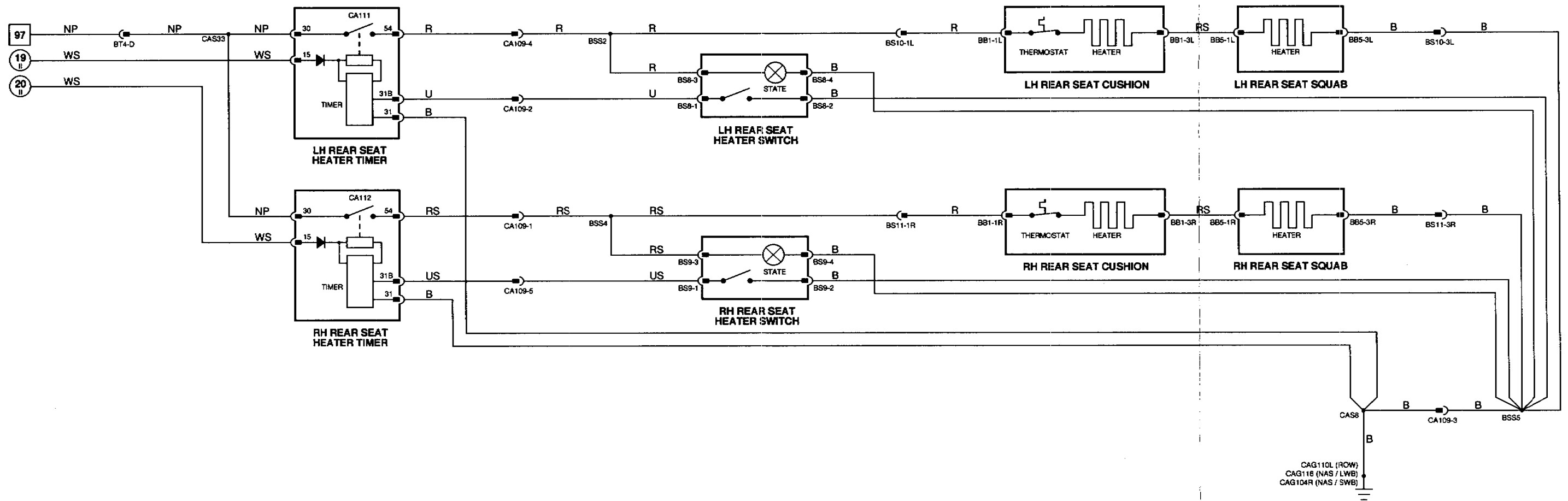
BS10	3-WAY MULTILOCK 070 / YELLOW	LH REAR SEAT / UNDER
BS11	3-WAY MULTILOCK 070 / YELLOW	RH REAR SEAT / UNDER
BT4	THROUGH-PANEL (48 MICRO / 6) / BLACK	PARCEL SHELF / FUEL TANK TRIM
CA109	12-WAY MULTILOCK 070 / WHITE	RH REAR SEAT / UNDER

GROUNDS**Ground****Location / Type**

CAG104R	LH SEAT GROUND STUD
CAG110L	RH SEAT GROUND STUD
CAG116	RH SEAT GROUND STUD

REFER TO THE FRONT OF THE BOOK FOR ILLUSTRATIONS DETAILING THE LOCATION AND IDENTIFICATION OF COMPONENTS, RELAYS, CONNECTORS, HARNESSES, GROUNDS, VEHICLE CONTROL MODULES AND CONTROL MODULE PINS.

DATE OF ISSUE: NOVEMBER 1995



CONTROL MODULE PIN OUT INFORMATION

SECURITY AND LOCKING CONTROL MODULE

Pin	Description	Active	Inactive
I CA18-2	EXTERNAL TRUNK LID SWITCH	GROUND	1.74 V
I CA18-3	NOT IN PARK MICROSWITCH	GROUND	B+
I CA18-4	PASSENGER DOOR LOCK STATUS	GROUND - LOCKED	1.74 V - UNLOCKED
I CA18-6	DRIVER DOOR LOCK BARREL UNLOCK / DISARM REQUEST	MOMENTARY GROUND	1.74 V
I CA18-10	DRIVER DOOR LOCK STATUS	GROUND - LOCKED	1.74 V - UNLOCKED
I CA18-12	DRIVER DOOR LOCK BARREL LOCK / ARM REQUEST	MOMENTARY GROUND	1.74 V
O CA19-1	FUEL FILLER FLAP LOCK REQUEST	GROUND PULSE	B+
I CA19-6	VALET SWITCH	MOMENTARY GROUND	2 V
I CA19-8	FASCIA TRUNK RELEASE SWITCH	MOMENTARY GROUND	2.7 V
I CA19-18	KEY IN IGNITION SWITCH	GROUND	9.5 V
I CA19-19	CENTRAL LOCKING SWITCH ALL CLOSE REQUEST	GROUND	B+
O CA19-22	DOOR UNLOCK RELAY	GROUND PULSE	B+
D CA20-8	SERIAL COMMUNICATION INPUT		
D CA20-16	SERIAL COMMUNICATION OUTPUT		
O CA21-1	RHF & LHR DOOR DEADLOCK RELAY (NOT NAS)	GROUND PULSE	B+
I CA21-5	VEHICLE SPEED INPUT	B+ @ 10 MPH = 20 Hz, 20 MPH = 40 Hz	
O CA21-11	TRUNK RELEASE RELAY	GROUND PULSE	B+
O CA21-14	LHF & RHR DOOR DEADLOCK RELAY	GROUND PULSE	B+
O CA21-15	DOOR LOCK RELAY	GROUND PULSE	B+

Fig. 15.1

COMPONENTS

Component	Connector / Type / Color	Location / Access
CENTER CONSOLE SWITCH PACK	CC1 / 16-WAY MULTILOCK 040 / BLACK	CENTER CONSOLE
DOOR KEY BARREL SWITCH - DRIVER	DD3 / 13-WAY ECONOSEAL III LC / BLACK	DOOR CASING
DOOR LOCK ACTUATOR - DRIVER	DD3 / 13-WAY ECONOSEAL III LC / BLACK	DOOR CASING
DOOR LOCK ACTUATOR - LH REAR	RD3-L / 6-WAY ECONOSEAL III LC / BLACK	DOOR CASING
DOOR LOCK ACTUATOR - PASSENGER	PD3 / 13-WAY ECONOSEAL III LC / BLACK	DOOR CASING
DOOR LOCK ACTUATOR - RH REAR	RD3-R / 6-WAY ECONOSEAL III LC / BLACK	DOOR CASING
FASCIA TRUNK RELEASE SWITCH	FC12 / 16-WAY MULTILOCK 040 / BLUE	STEERING COLUMN / DRIVER'S UNDERSCUTTLE
FUEL FILLER FLAP ACTUATOR	CAB8 / 2-WAY LABINAL / NATURAL	TRUNK, LF FRONT / TRUNK TRIM
IGNITION SWITCH	FC54 (FLY LEAD) / 8-WAY MULTILOCK 070 / WHITE	STEERING COLUMN / COVER
NOT IN-PARK MICROSWITCH	CC42 (FLY LEAD) / 2-WAY MULTILOCK 040 / BLACK	'J' GATE / CENTER CONSOLE
SECURITY AND LOCKING CONTROL MODULE	CA18 / 12-WAY MULTILOCK 47 / SLATE CA19 / 22-WAY MULTILOCK 47 / SLATE CA20 / 16-WAY MULTILOCK 47 / SLATE CA21 / 26-WAY MULTILOCK 47 / SLATE	TRUNK, LH FRONT / TRUNK TRIM
SHORTING LINK	CA43 / 6-WAY MULTILOCK 070 / YELLOW	REAR SEAT, LH SIDE / UNDER
TRUNK RELEASE ACTUATOR	BT8 / 2-WAY LABINAL / BROWN	TRUNK LID / TRUNK LID TRIM
TRUNK RELEASE SWITCH	BT10 / 2-WAY MULTILOCK 040 / GREEN	TRUNK LID / TRUNK LID TRIM
VALET SWITCH	CC47 / 2-WAY MULTILOCK 040 / BLACK	CENTER CONSOLE GLOVE BOX

RELAYS

Relay	Color / Stripe	Connector / Color	Location / Access
DEADLOCK RELAY - DRIVER, RH REAR	VIOLET	CA55 / VIOLET	LH HEELBOARD
DEADLOCK RELAY - PASSENGER, LH REAR	VIOLET	CA55 / VIOLET	LH HEELBOARD
DOOR LOCK RELAY	VIOLET	CA50 / VIOLET	LH HEELBOARD
DOOR UNLOCK RELAY	VIOLET	CA50 / VIOLET	LH HEELBOARD
FUEL FILLER FLAP RELAY	VIOLET	CA97 / VIOLET	LH HEELBOARD
TRUNK RELEASE RELAY	BLACK / VIOLET	BT43 / VIOLET	TRUNK ELECTRICAL CARRIER

HARNESSTO-HARNESSTO CONNECTORS

Connector	Type / Color	Location / Access
BT4	THROUGH-PANEL (48 MICRO / 6) / BLACK	ABOVE FUEL TANK / FUEL TANK TRIM
CA8	20-WAY MULTILOCK 040 / GREEN	DRIVER'S 'A' POST / 'A' POST TRIM
CA9	20-WAY MULTILOCK 040 / BLACK	DRIVER'S 'A' POST / 'A' POST TRIM
CA11	20-WAY MULTILOCK 040 / BLACK	PASSENGER'S UNDERSCUTTLE / ECM
CA12	15-WAY MULTILOCK 070 / WHITE	PASSENGER'S UNDERSCUTTLE / ECM
CA13	12-WAY MULTILOCK 040 / BLACK	LH 'BC' POST / 'BC' POST PANEL
CA15	12-WAY MULTILOCK 040 / BLACK	RH 'BC' POST / 'BC' POST PANEL
CC18	20-WAY MULTILOCK 040 / BLUE	CENTER CONSOLE / CENTER CONSOLE GLOVE BOX
CC3	20-WAY MULTILOCK 040 / BLACK	CENTER CONSOLE / CENTER CONSOLE GLOVE BOX
CC5	20-WAY MULTILOCK 040 / GREEN	CENTER CONSOLE / CENTER CONSOLE GLOVE BOX
FC5	THROUGH-PANEL (48 MICRO / 6) / BLACK	LH FASCIA END PANEL / OUTER AIR VENT
FC7	THROUGH-PANEL (48 MICRO / 6) / BLACK	PASSENGER'S UNDERSCUTTLE

GROUNDS

Ground	Location / Type
BTG49L	REAR TRUNK GROUND STUD
CAG91	PARCEL SHELF GROUND SCREW
CAG92R	RH HEELBOARD GROUND SCREW
CAG93L	LH HEELBOARD GROUND SCREW
CCG51L	CENTER CONSOLE GROUND STUD
FCG15L	LH CONSOLE GROUND STUD
FCG28R	LH CONSOLE GROUND STUD

CONTROL MODULE PIN OUT INFORMATION (FOLD OUT PAGE)



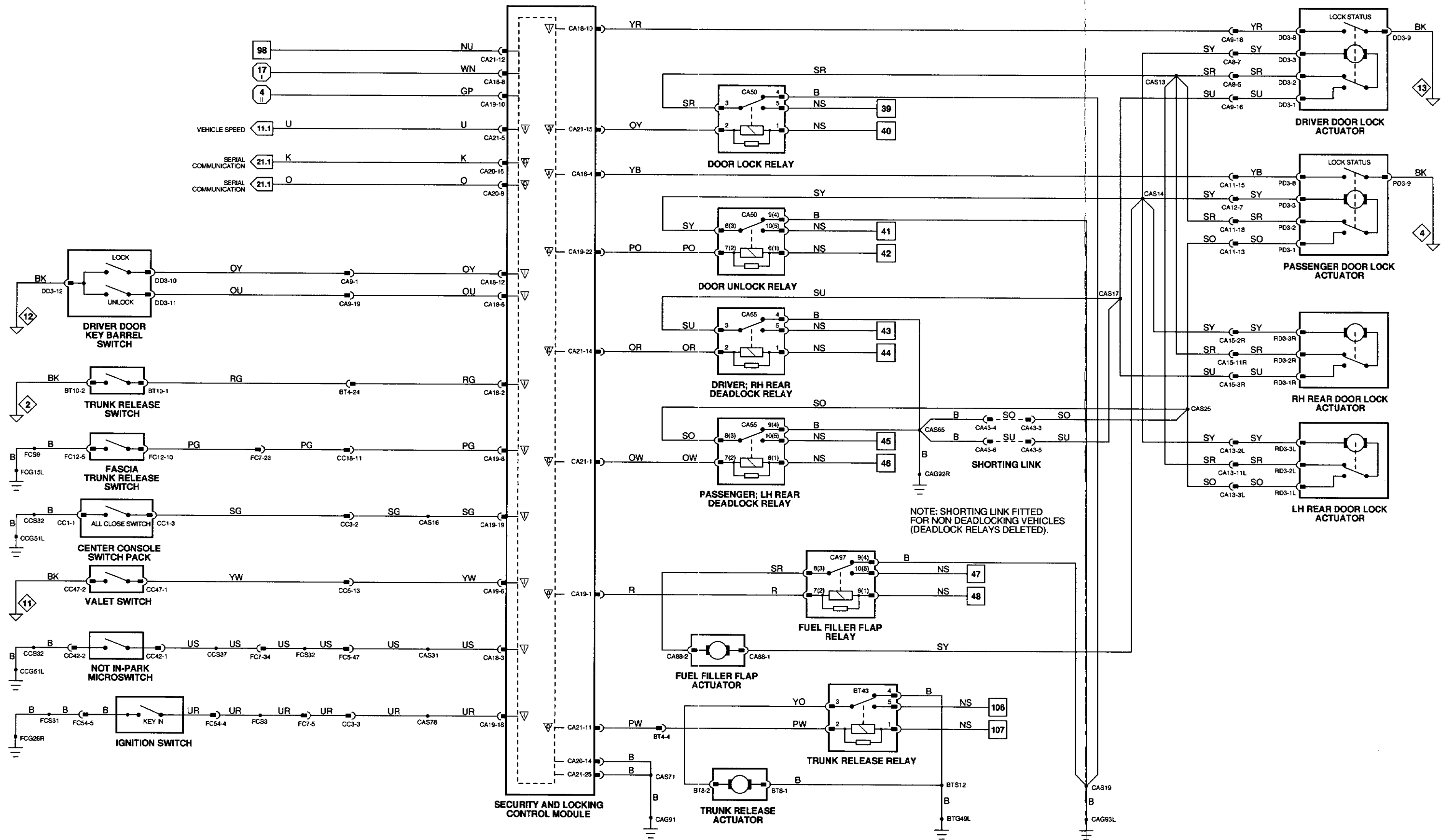
The following symbols are used to represent values for Control Module Pin Out data:

I Input	B+ Battery voltage
O Output	V Voltage (DC)
SG Signal Ground	Hz Frequency
D Serial and encoded communications	KHz Frequency x 1000
	MS Milliseconds
	MV Millivolts

CAUTION: The information on this data page is furnished to aid the user in understanding circuit operation. THIS INFORMATION SHOULD BE USED FOR REFERENCE ONLY.

NOTE: The values listed are approximately those that can be expected at the control module connector pins with all circuit connections made and all components connected and fitted. "Active" means a load is applied or a switch is ON; "Inactive" means a load is not applied or a switch is OFF.

REFER TO THE FRONT OF THE BOOK FOR ILLUSTRATIONS DETAILING THE LOCATION AND IDENTIFICATION OF COMPONENTS, RELAYS, CONNECTORS, HARNESSES, GROUNDS, VEHICLE CONTROL MODULES AND CONTROL MODULE PINS.



CONTROL MODULE PIN OUT INFORMATION

SECURITY AND LOCKING CONTROL MODULE

Pin	Description	Active	Inactive
I CA18-2	EXTERNAL TRUNK LID SWITCH	GROUND	1.74 V
I CA18-3	NOT IN PARK MICROSWITCH	GROUND	B+
I CA18-4	PASSENGER DOOR LOCK STATUS	GROUND - LOCKED	1.74 V - UNLOCKED
I CA18-6	DRIVER DOOR LOCK BARREL UNLOCK / DISARM REQUEST	MOMENTARY GROUND	1.74 V
I CA18-10	DRIVER DOOR LOCK STATUS	GROUND - LOCKED	1.74 V - UNLOCKED
I CA18-12	DRIVER DOOR LOCK BARREL LOCK / ARM REQUEST	MOMENTARY GROUND	1.74 V
O CA19-1	FUEL FILLER FLAP LOCK REQUEST	GROUND PULSE	B+
I CA19-6	VALET SWITCH	MOMENTARY GROUND	2 V
I CA19-8	FASCIA TRUNK RELEASE SWITCH	MOMENTARY GROUND	2.7 V
I CA19-18	KEY IN IGNITION SWITCH	GROUND	9.5 V
I CA19-19	CENTRAL LOCKING SWITCH ALL CLOSE REQUEST	GROUND	B+
O CA19-22	DOOR UNLOCK RELAY	GROUND PULSE	B+
D CA20-9	SERIAL COMMUNICATION INPUT		
D CA20-16	SERIAL COMMUNICATION OUTPUT		
O CA21-2	DRIVER DOOR UNLOCK RELAY (TWO STAGE REMOTE UNLOCKING)	GROUND PULSE	B+
I CA21-5	VEHICLE SPEED INPUT	B+ @ 10 MPH = 20 Hz, 20 MPH = 40 Hz	B+
O CA21-11	TRUNK RELEASE RELAY	GROUND PULSE	B+
O CA21-15	DOOR LOCK RELAY	GROUND PULSE	B+

Fig. 15.2

COMPONENTS

Component	Connector / Type / Color	Location / Access
CENTER CONSOLE SWITCH PACK	CC1 / 16-WAY MULTILOCK 040 / BLACK	CENTER CONSOLE
DOOR KEY BARREL SWITCH - DRIVER	DD3 / 13-WAY ECONOSEAL III LC / BLACK	DOOR CASING
DOOR LOCK ACTUATOR - DRIVER	DD3 / 13-WAY ECONOSEAL III LC / BLACK	DOOR CASING
DOOR LOCK ACTUATOR - LH REAR	RD3-L / 6-WAY ECONOSEAL III LC / BLACK	DOOR CASING
DOOR LOCK ACTUATOR - PASSENGER	PD3 / 13-WAY ECONOSEAL III LC / BLACK	DOOR CASING
DOOR LOCK ACTUATOR - RH REAR	RD3-R / 6-WAY ECONOSEAL III LC / BLACK	DOOR CASING
FASCIA TRUNK RELEASE SWITCH	FC12 / 16-WAY MULTILOCK 040 / BLUE	STEERING COLUMN / DRIVER'S UNDERSCUTTLE
FUEL FILLER FLAP ACTUATOR	CA83 / 2-WAY LABINAL / NATURAL	TRUNK, LF FRONT / TRUNK TRIM
IGNITION SWITCH	FC54 (FLY LEAD) / 8-WAY MULTILOCK 070 / WHITE	STEERING COLUMN / COVER
NOT IN-PARK MICROSWITCH	CC42 (FLY LEAD) / 2-WAY MULTILOCK 040 / BLACK	'J' GATE / CENTER CONSOLE
SECURITY AND LOCKING CONTROL MODULE	CA19 / 12-WAY MULTILOCK 47 / SLATE CA19 / 22-WAY MULTILOCK 47 / SLATE CA20 / 16-WAY MULTILOCK 47 / SLATE CA21 / 26-WAY MULTILOCK 47 / SLATE	TRUNK, LH FRONT / TRUNK TRIM
TRUNK RELEASE ACTUATOR	BT8 / 2-WAY LABINAL / BROWN	TRUNK LID / TRUNK LID TRIM
TRUNK RELEASE SWITCH	BT10 / 2-WAY MULTILOCK 040 / GREEN	TRUNK LID / TRUNK LID TRIM
VALET SWITCH	CC47 / 2-WAY MULTILOCK 040 / BLACK	CENTER CONSOLE GLOVE BOX

RELAYS

Relay	Color / Stripe	Connector / Color	Location / Access
DRIVER DOOR UNLOCK RELAY	VIOLET	CA7 / VIOLET	LH HEELBOARD
DOOR LOCK RELAY	VIOLET	CA50 / VIOLET	LH HEELBOARD
DOOR UNLOCK RELAY	VIOLET	CA50 / VIOLET	LH HEELBOARD
FUEL FILLER FLAP RELAY	VIOLET	CA97 / VIOLET	LH HEELBOARD
TRUNK RELEASE RELAY	BLACK / VIOLET	BT43 / VIOLET	TRUNK ELECTRICAL CARRIER

HARNESS-TO-HARNESS CONNECTORS

Connector	Type / Color	Location / Access
BT4	THROUGH-PANEL (48 MICRO / 6) / BLACK	ABOVE FUEL TANK / FUEL TANK TRIM
CA8	20-WAY MULTILOCK 040 / GREEN	DRIVER'S 'A' POST / 'A' POST TRIM
CA9	20-WAY MULTILOCK 040 / BLACK	DRIVER'S 'A' POST / 'A' POST TRIM
CA11	20-WAY MULTILOCK 040 / BLACK	PASSENGER'S UNDERSCUTTLE / ECM
CA12	15-WAY MULTILOCK 070 / WHITE	PASSENGER'S UNDERSCUTTLE / ECM
CA13	12-WAY MULTILOCK 040 / BLACK	LH 'BC' POST / 'BC' POST PANEL
CA15	12-WAY MULTILOCK 040 / BLACK	RH 'BC' POST / 'BC' POST PANEL
CC18	20-WAY MULTILOCK 040 / BLUE	CENTER CONSOLE / CENTER CONSOLE GLOVE BOX
CC3	20-WAY MULTILOCK 040 / BLACK	CENTER CONSOLE / CENTER CONSOLE GLOVE BOX
CC5	20-WAY MULTILOCK 040 / GREEN	CENTER CONSOLE / CENTER CONSOLE GLOVE BOX
FC5	THROUGH-PANEL (48 MICRO / 6) / BLACK	LH FASCIA END PANEL / OUTER AIR VENT
FC7	THROUGH-PANEL (48 MICRO / 6) / BLACK	PASSENGER'S UNDERSCUTTLE

GROUNDINGS

Ground	Location / Type
BTG49L	REAR TRUNK GROUND STUD
CAG91	PARCEL SHELF GROUND SCREW
CAG92R	RH HEELBOARD GROUND SCREW
CAG93L	LH HEELBOARD GROUND SCREW
CCG51L	CENTER CONSOLE GROUND STUD
FCG15L	LH CONSOLE GROUND STUD
FCG26R	LH CONSOLE GROUND STUD

CONTROL MODULE PIN OUT INFORMATION (FOLD OUT PAGE)



The following symbols are used to represent values for Control Module Pin Out data:

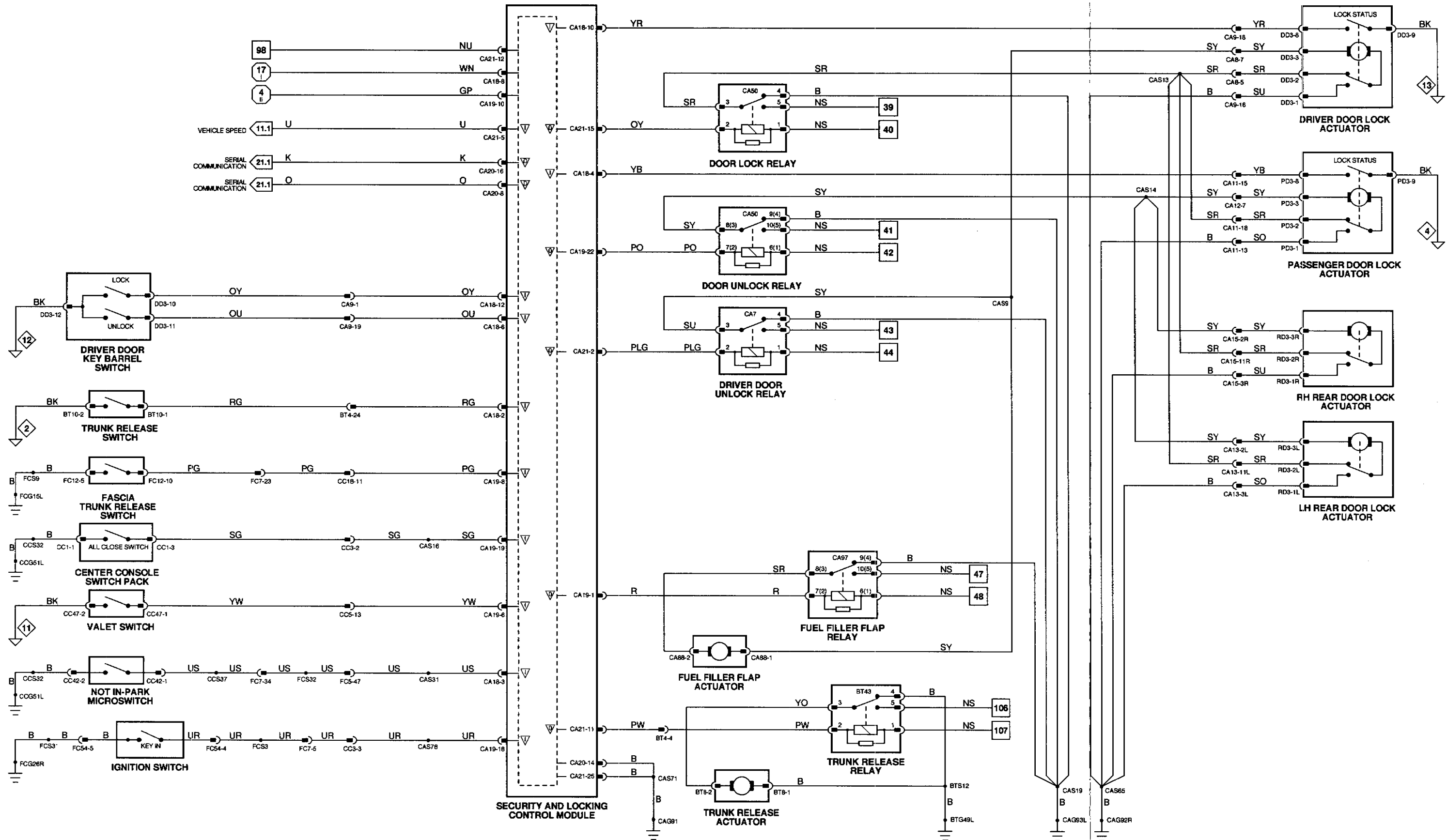
I Input	B+ Battery voltage
O Output	V Voltage (DC)
SG Signal Ground	Hz Frequency
D Serial and encoded communications	KHz Frequency x 1000
	MS Milliseconds
	MV Millivolts

CAUTION: The information on this data page is furnished to aid the user in understanding circuit operation. THIS INFORMATION SHOULD BE USED FOR REFERENCE ONLY.

NOTE: The values listed are approximately those that can be expected at the control module connector pins with all circuit connections made and all components connected and fitted. "Active" means a load is applied or a switch is ON; "Inactive" means a load is not applied or a switch is OFF.

REFER TO THE FRONT OF THE BOOK FOR ILLUSTRATIONS DETAILING THE LOCATION AND IDENTIFICATION OF COMPONENTS, RELAYS, CONNECTORS, HARNESSSES, GROUNDS, VEHICLE CONTROL MODULES AND CONTROL MODULE PINS.

DATE OF ISSUE: NOVEMBER 1995



CONTROL MODULE PIN OUT INFORMATION

SECURITY AND LOCKING CONTROL MODULE

Pin	Description	Active	Inactive
I CA18-2	EXTERNAL TRUNK LID SWITCH	GROUND	1.74 V
I CA18-3	NOT IN PARK MICROSWITCH	GROUND	B+
I CA18-4	DRIVER DOOR LOCK STATUS	GROUND = LOCKED	1.74 V = UNLOCKED
I CA18-6	DRIVER DOOR LOCK BARREL UNLOCK / DISARM REQUEST	MOMENTARY GROUND	1.74 V
I CA18-10	PASSENGER DOOR LOCK STATUS	GROUND = LOCKED	1.74 V = UNLOCKED
I CA18-12	DRIVER DOOR LOCK BARREL LOCK / ARM REQUEST	MOMENTARY GROUND	1.74 V
O CA19-1	FUEL FILLER FLAP LOCK REQUEST	GROUND PULSE	B+
I CA19-6	VALET SWITCH	MOMENTARY GROUND	2 V
I CA19-8	FASCIA TRUNK RELEASE SWITCH	MOMENTARY GROUND	2.7 V
I CA19-18	KEY IN IGNITION SWITCH	GROUND	9.5 V
I CA19-19	CENTRAL LOCKING SWITCH ALL CLOSE REQUEST	GROUND	B+
O CA19-22	DOOR UNLOCK RELAY	GROUND PULSE	B+
D CA20-8	SERIAL COMMUNICATION INPUT		
D CA20-16	SERIAL COMMUNICATION OUTPUT		
O CA21-1	RHF & LHR DOOR DEADLOCK RELAY (NOT NAS)	GROUND PULSE	B+
I CA21-5	VEHICLE SPEED INPUT	B+ @ 10 MPH = 20 Hz, 20 MPH = 40 Hz	
O CA21-11	TRUNK RELEASE RELAY	GROUND PULSE	B+
O CA21-14	LHF & RHR DOOR DEADLOCK RELAY	GROUND PULSE	B+
O CA21-15	DOOR LOCK RELAY	GROUND PULSE	B+

Fig. 15.3

COMPONENTS

Component	Connector / Type / Color	Location / Access
CENTER CONSOLE SWITCH PACK	CC1 / 16-WAY MULTILOCK 040 / BLACK	CENTER CONSOLE
DOOR KEY BARREL SWITCH - DRIVER	DD3 / 13-WAY ECONOSEAL III LC / BLACK	DOOR CASING
DOOR LOCK ACTUATOR - DRIVER	DD3 / 13-WAY ECONOSEAL III LC / BLACK	DOOR CASING
DOOR LOCK ACTUATOR - LH REAR	RD3-L / 6-WAY ECONOSEAL III LC / BLACK	DOOR CASING
DOOR LOCK ACTUATOR - PASSENGER	PD3 / 13-WAY ECONOSEAL III LC / BLACK	DOOR CASING
DOOR LOCK ACTUATOR - RH REAR	RD3-R / 6-WAY ECONOSEAL III LC / BLACK	DOOR CASING
FASCIA TRUNK RELEASE SWITCH	FC12 / 16-WAY MULTILOCK 040 / BLUE	STEERING COLUMN / DRIVER'S UNDERSCUTTLE
FUEL FILLER FLAP ACTUATOR	CAB8 / 2-WAY LABINAL / NATURAL	TRUNK, LF FRONT / TRUNK TRIM
IGNITION SWITCH	FC54 (FLY LEAD) / 8-WAY MULTILOCK 070 / WHITE	STEERING COLUMN / COVER
NOT IN-PARK MICROSWITCH	CC42 (FLY LEAD) / 2-WAY MULTILOCK 040 / BLACK	'J' GATE / CENTER CONSOLE
SECURITY AND LOCKING CONTROL MODULE	CA18 / 12-WAY MULTILOCK 47 / SLATE CA19 / 22-WAY MULTILOCK 47 / SLATE CA20 / 16-WAY MULTILOCK 47 / SLATE CA21 / 26-WAY MULTILOCK 47 / SLATE	TRUNK, LH FRONT / TRUNK TRIM
SHORTING LINK	CA43 / 6-WAY MULTILOCK 070 / YELLOW	REAR SEAT, LH SIDE / UNDER
TRUNK RELEASE ACTUATOR	BT8 / 2-WAY LABINAL / BROWN	TRUNK LID / TRUNK LID TRIM
TRUNK RELEASE SWITCH	BT10 / 2-WAY MULTILOCK 040 / GREEN	TRUNK LID / TRUNK LID TRIM
VALET SWITCH	CC47 / 2-WAY MULTILOCK 040 / BLACK	CENTER CONSOLE GLOVE BOX

RELAYS

Relay	Color / Stripe	Connector / Color	Location / Access
DEADLOCK RELAY - DRIVER, LH REAR	VIOLET	CA55 / VIOLET	LH HEELBOARD
DEADLOCK RELAY - PASSENGER, RH REAR	VIOLET	CA55 / VIOLET	LH HEELBOARD
DOOR LOCK RELAY	VIOLET	CA50 / VIOLET	LH HEELBOARD
DOOR UNLOCK RELAY	VIOLET	CA50 / VIOLET	LH HEELBOARD
FUEL FILLER FLAP RELAY	VIOLET	CA97 / VIOLET	LH HEELBOARD
TRUNK RELEASE RELAY	BLACK / VIOLET	BT43 / VIOLET	TRUNK ELECTRICAL CARRIER

HARNESSTO-HARNESSTO CONNECTORS

Connector	Type / Color	Location / Access
BT4	THROUGH-PANEL (48 MICRO / 6) / BLACK	ABOVE FUEL TANK / FUEL TANK TRIM
CA8	20-WAY MULTILOCK 040 / GREEN	DRIVER'S 'A' POST / 'A' POST TRIM
CA9	20-WAY MULTILOCK 040 / BLACK	DRIVER'S 'A' POST / 'A' POST TRIM
CA11	20-WAY MULTILOCK 040 / BLACK	PASSENGER'S UNDERSCUTTLE / ECM
CA12	15-WAY MULTILOCK 070 / WHITE	PASSENGER'S UNDERSCUTTLE / ECM
CA13	12-WAY MULTILOCK 040 / BLACK	LH 'BC' POST / 'BC' POST PANEL
CA15	12-WAY MULTILOCK 040 / BLACK	RH 'BC' POST / 'BC' POST PANEL
CC18	20-WAY MULTILOCK 040 / BLUE	CENTER CONSOLE / CENTER CONSOLE GLOVE BOX
CC3	20-WAY MULTILOCK 040 / BLACK	CENTER CONSOLE / CENTER CONSOLE GLOVE BOX
CC5	20-WAY MULTILOCK 040 / GREEN	CENTER CONSOLE / CENTER CONSOLE GLOVE BOX
FC5	THROUGH-PANEL (48 MICRO / 6) / BLACK	LH FASCIA END PANEL / OUTER AIR VENT
FC7	THROUGH-PANEL (48 MICRO / 6) / BLACK	PASSENGER'S UNDERSCUTTLE

GROUNDS

Ground	Location / Type
BTG49L	REAR TRUNK GROUND STUD
CAG91	PARCEL SHELF GROUND SCREW
CAG92R	RH HEELBOARD GROUND SCREW
CAG93L	LH HEELBOARD GROUND SCREW
CCG51L	CENTER CONSOLE GROUND STUD
FCG15L	LH CONSOLE GROUND STUD
FCG26R	LH CONSOLE GROUND STUD

CONTROL MODULE PIN OUT INFORMATION (FOLD OUT PAGE)



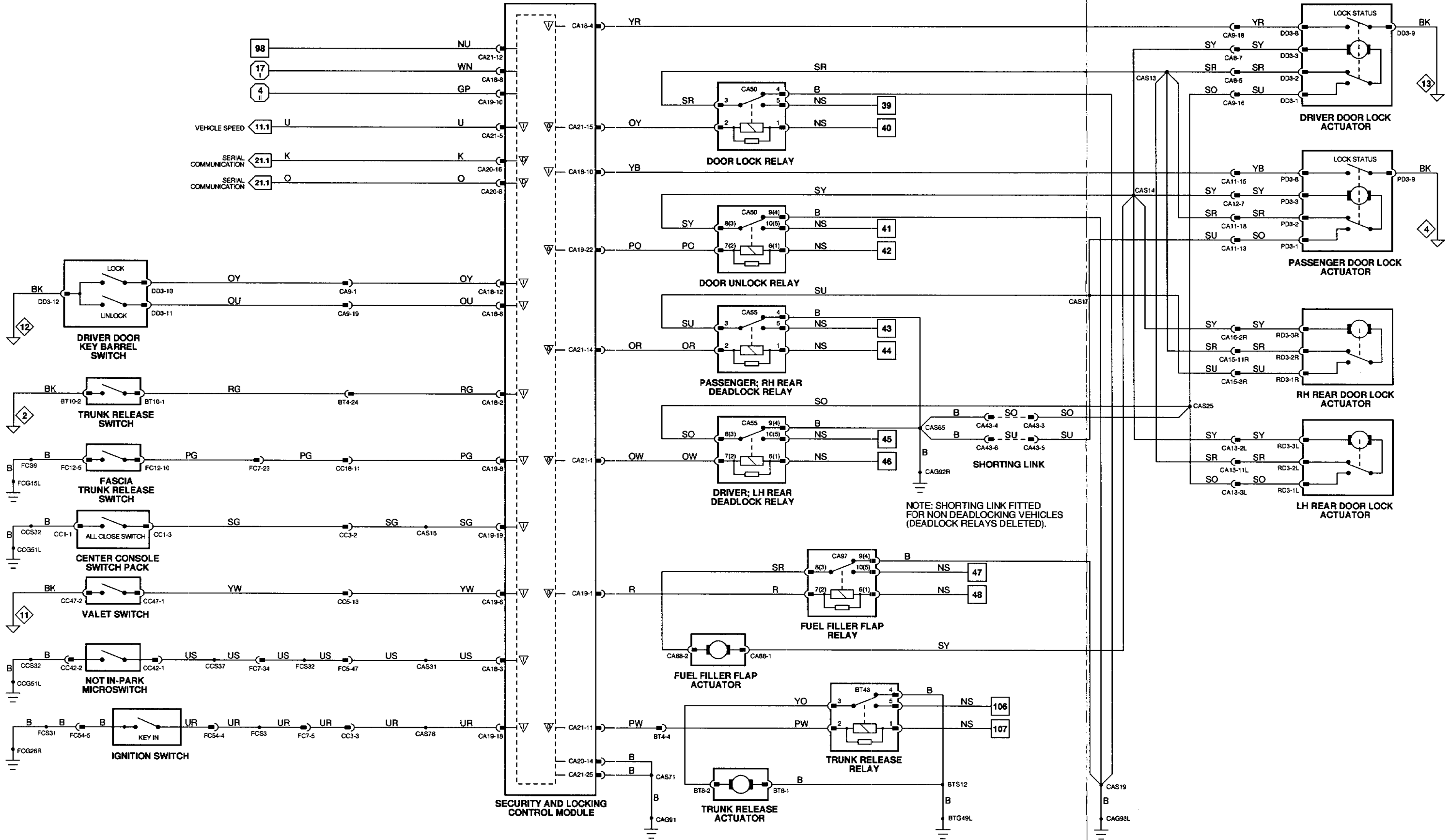
The following symbols are used to represent values for Control Module Pin Out data:

I Input	B+ Battery voltage
O Output	V Voltage (DC)
SG Signal Ground	Hz Frequency
D Serial and encoded communications	KHz Frequency x 1000
	MS Milliseconds
	MV Millivolts

CAUTION: The information on this data page is furnished to aid the user in understanding circuit operation. THIS INFORMATION SHOULD BE USED FOR REFERENCE ONLY.

NOTE: The values listed are approximately those that can be expected at the control module connector pins with all circuit connections made and all components connected and fitted. "Active" means a load is applied or a switch is ON; "Inactive" means a load is not applied or a switch is OFF.

REFER TO THE FRONT OF THE BOOK FOR ILLUSTRATIONS DETAILING THE LOCATION AND IDENTIFICATION OF COMPONENTS, RELAYS, CONNECTORS, HARNESSES, GROUNDS, VEHICLE CONTROL MODULES AND CONTROL MODULE PINS.



NOTE: SHORTING LINK FITTED FOR NON DEADLOCKING VEHICLES (DEADLOCK RELAYS DELETED).

CONTROL MODULE PIN OUT INFORMATION

BODY PROCESSOR MODULE

Pin	Description	Active	Inactive
FC1-14	LH PILOT BEAM, SIDE LAMPS AND TAIL LAMPS ON	GROUND	B+
FC1-16	REAR WINDOW RAISE	GROUND	B+
FC1-24	INTERIOR AND COURTESY LAMPS	GROUND	B+
FC1-29	LH DIPPED BEAM ON	GROUND	B+
FC1-31	FRONT PASSENGER WINDOW RAISE	GROUND	B+
FC1-33	STARTER RELAY INHIBIT	GROUND	B+
FC1-35	LH MAIN BEAM ON	GROUND	B+
FC1-36	SLIDING ROOF CLOSE	GROUND	B+
FC1-37	DRIVER WINDOW RAISE	GROUND	B+
FC1-38	RH DIPPED BEAM ON	GROUND	B+
FC1-41	RH MAIN BEAM ON	GROUND	B+
FC2-2	INTERIOR LAMPS ON	GROUND	B+
FC2-5	SECURE STATUS INPUT FROM SECURITY AND LOCKING CONTROL MODULE	ENCODED COMMUNICATIONS	B+
FC2-6	HEADLAMP CONVENIENCE	GROUND PULSE	B+
FC2-26	SECURITY SYSTEM VISUAL WARNING	GROUND PULSE	B+
FC2-28	REMOTE ALL CLOSE REQUEST	GROUND	B+

SECURITY AND LOCKING CONTROL MODULE

Pin	Description	Active	Inactive
CA18-1	PASSENGER DOOR AJAR	GROUND	1.74 V
CA18-4	PASSENGER DOOR LOCK STATUS	GROUND = LOCKED	1.74 V = UNLOCKED
CA18-7	DRIVER DOOR AJAR	GROUND	7.9 V
CA18-9	TRANSPONDER IMMOBILIZATION OUTPUT (NOT NAS)	ENCODED COMMUNICATIONS	
CA18-10	DRIVER DOOR LOCK STATUS	GROUND = LOCKED	1.74 V = UNLOCKED
CA19-6	VALET SWITCH	MOMENTARY GROUND	2 V
CA19-7	INCLINATION SENSOR VIOLATION	GROUND PULSE	1.3 V
CA19-9	HOOD AJAR	GROUND	1.7 V
CA19-11	TRANSPONDER IMMOBILIZATION ON OUTPUT (NOT NAS)	ENCODED COMMUNICATIONS	
CA19-12	MEMORY SEAT REMOTE INDICATOR	GROUND PULSE	B+
CA19-13	HEADLAMP CONVENIENCE	GROUND PULSE	7.88 V
CA19-19	CENTRAL LOCKING SWITCH ALL CLOSE REQUEST	GROUND	B+
CA19-20	TRUNK LID AJAR	GROUND	7.9 V
CA19-21	REAR PASSENGER DOOR AJAR	GROUND	7.9 V
CA20-4	RH INTRUSION SENSOR (NOT NAS)	SIGNAL	GROUND
CA20-5	RH INTRUSION SENSOR VOLTAGE FEED (NOT NAS)	8 V	GROUND
CA20-6	READER / EXCITER CONTROL MODULE GROUND (NOT NAS)	GROUND	GROUND
CA20-8	SERIAL COMMUNICATION INPUT		
CA20-12	LH INTRUSION SENSOR (NOT NAS)	SIGNAL	GROUND
CA20-13	LH INTRUSION SENSOR VOLTAGE FEED (NOT NAS)	8 V	GROUND
CA20-16	SERIAL COMMUNICATION OUTPUT		
CA21-6	INCLINATION SENSOR GROUND	GROUND	GROUND
CA21-7	INTELLIGENT SOUNDER OUTPUT	ENCODED COMMUNICATIONS	
CA21-8	MEMORY POSITION 2 REQUEST	B+ PULSE	GROUND
CA21-9	VISUAL WARNING	GROUND PULSE	B+
CA21-10	SECURE STATUS OUTPUT TO BODY PROCESSOR	ENCODED COMMUNICATIONS	
CA21-19	SECURITY ACTIVE LED	9V PULSE	GROUND
CA21-20	FUELING INHIBIT SIGNAL OUTPUT (NOT NAS)	ENCODED COMMUNICATIONS	
CA21-21	MEMORY POSITION 1 REQUEST	B+ PULSE	GROUND
CA21-22	ALL CLOSE REQUEST	GROUND	7.8 V
CA21-23	INTERIOR LIGHTS ON	GROUND PULSE	7.8 V
CA21-24	HORN	GROUND PULSE	B+

The following symbols are used to represent values for Control Module Pin Out data:

I	Input	B+	Battery voltage
O	Output	V	Voltage (DC)
SG	Signal Ground	Hz	Frequency
D	Serial and encoded communications	KHz	Frequency x 1000
		MS	Milliseconds
		MV	Millivolts

CAUTION: The information on this data page is furnished to aid the user in understanding circuit operation. THIS INFORMATION SHOULD BE USED FOR REFERENCE ONLY.

NOTE: The values listed are approximately those that can be expected at the control module connector pins with all circuit connections made and all components connected and fitted. "Active" means a load is applied or a switch is ON; "Inactive" means a load is not applied or a switch is OFF.

Fig. 15.4

COMPONENTS

Component	Connector / Type / Color	Location / Access
BOCY PROCESSOR MODULE	FC1 / 48-WAY PCB SIGNAL / YELLOW FC2 / 48-WAY PCB SIGNAL / BLACK FC3 / 6-WAY PCB SIGNAL / BLACK	PASSENGER'S UNDERSCUTTLE
CENTER CONSOLE SWITCH PACK	CC1 / 16-WAY MULTILOCK 040 / BLACK	CENTER CONSOLE
COIL (COLUMN SWITCHGEAR)	SC11 / 2-WAY MULTILOCK 040 / GREEN	STEERING COLUMN / COVER
DOOR LOCK ACTUATOR - DRIVER	DD3 / 13-WAY ECONOSEAL III LC / BLACK	DOOR CASING
DOOR LOCK ACTUATOR - PASSENGER	PD3 / 13-WAY ECONOSEAL III LC / BLACK	DOOR CASING
DOOR SWITCH PACK - PASSENGER	PD1 / 26-WAY MULTILOCK 47 / SLATE	ARM REST / TOP ROLL
DOOR SWITCH - DRIVER	DD3 / 13-WAY ECONOSEAL III LC / BLACK	DOOR CASING
DOOR SWITCH - LH REAR	RD3-L / 6-WAY ECONOSEAL III LC / BLACK	DOOR CASING
DOOR SWITCH - PASSENGER	PD3 / 13-WAY ECONOSEAL III LC / BLACK	DOOR CASING
DOOR SWITCH - RH REAR	RD3-R / 6-WAY ECONOSEAL III LC / BLACK	DOOR CASING
HOOD SWITCH	RS17 / 2-WAY ECONOSEAL III LC / BLACK	ENGINE BAY, RH FRONT
INCLINATION SENSOR	CA66 / 6-WAY CS-25 / ORANGE	TRUNK, LH FRONT / TRUNK TRIM
INTRUSION SENSOR - LH	RF6 / 4-WAY MODU / BLACK	HEAD LINER, LH SIDE
INTRUSION SENSOR - RH	RF5 / 4-WAY MODU / BLACK	HEAD LINER, RH SIDE
READER / EXCITER CONTROL MODULE	FC53 / 20-WAY MULTILOCK 040 / BLACK	DRIVER'S UNDERSCUTTLE
SECURITY AND LOCKING CONTROL MODULE	CA18 / 12-WAY MULTILOCK 47 / SLATE CA19 / 22-WAY MULTILOCK 47 / SLATE CA20 / 16-WAY MULTILOCK 47 / SLATE CA21 / 26-WAY MULTILOCK 47 / SLATE	TRUNK, LH FRONT / TRUNK TRIM
SECURITY ANTENNA	CA26 / LUCAR / BLACK	BACKLIGHT
SECURITY SOUNDER	RS21 (FLY LEAD) / 6-WAY ECONOSEAL III LC / BLACK	ENGINE BAY, RH FRONT
TRUNK SWITCH	BT15 / 2-WAY FORD DIAGNOSTIC / BLACK	TRUNK LID / TRUNK LID TRIM
VALET SWITCH	CC47 / 2-WAY MULTILOCK 040 / BLACK	CENTER CONSOLE GLOVE BOX

HARNESSTO-HARNESSTO CONNECTORS

Connector	Type / Color	Location / Access
BT4	THROUGH-PANEL (48 MICRO / 6) / BLACK	ABOVE FUEL TANK / FUEL TANK TRIM
CA8	20-WAY MULTILOCK 040 / GREEN	DRIVER'S 'A' POST / 'A' POST TRIM
CA9	20-WAY MULTILOCK 040 / BLACK	DRIVER'S 'A' POST / 'A' POST TRIM
CA10	8-WAY MULTILOCK 070 / WHITE	DRIVER'S 'A' POST / 'A' POST TRIM
CA11	20-WAY MULTILOCK 040 / BLACK	PASSENGER'S UNDERSCUTTLE / ECM
CA12	16-WAY MULTILOCK 070 / WHITE	PASSENGER'S UNDERSCUTTLE / ECM
CA13	12-WAY MULTILOCK 040 / BLACK	LH 'BC' POST / 'BC' POST PANEL
CA14	2-WAY MULTILOCK 070 / WHITE	LH 'BC' POST / 'BC' POST PANEL
CA15	12-WAY MULTILOCK 040 / BLACK	RH 'BC' POST / 'BC' POST PANEL
CA15	2-WAY MULTILOCK 040 / WHITE	RH 'BC' POST / 'BC' POST PANEL
CC3	20-WAY MULTILOCK 340 / BLACK	CENTER CONSOLE / CENTER CONSOLE GLOVE BOX
CC5	20-WAY MULTILOCK 340 / GREEN	CENTER CONSOLE / CENTER CONSOLE GLOVE BOX
CC18	20-WAY MULTILOCK 340 / BLUE	CENTER CONSOLE / CENTER CONSOLE GLOVE BOX
FC5	THROUGH-PANEL (48 MICRO / 6) / BLACK	LH FASCIA END PANEL / OUTER AIR VENT
FC7	THROUGH-PANEL (48 MICRO / 6) / BLACK	PASSENGER'S UNDERSCUTTLE
FC8	12-WAY MULTILOCK 340 / BLACK	DRIVER'S UNDERSCUTTLE
FC16	20-WAY MULTILOCK 340 / BLACK	PASSENGER'S UNDERSCUTTLE
PI1	13-WAY ECONOSEAL III LC / WHITE	REARWARD OF RH HEADLAMP
PI63	20-WAY MULTILOCK 340 / BLACK	RH 'A' POST / 'A' POST TRIM
RF4	12-WAY MULTILOCK 340 / BLACK	ROOF CONSOLE
RS3	THROUGH-PANEL (48 MICRO / 6) / BROWN	RH 'A' POST / 'A' POST PANEL

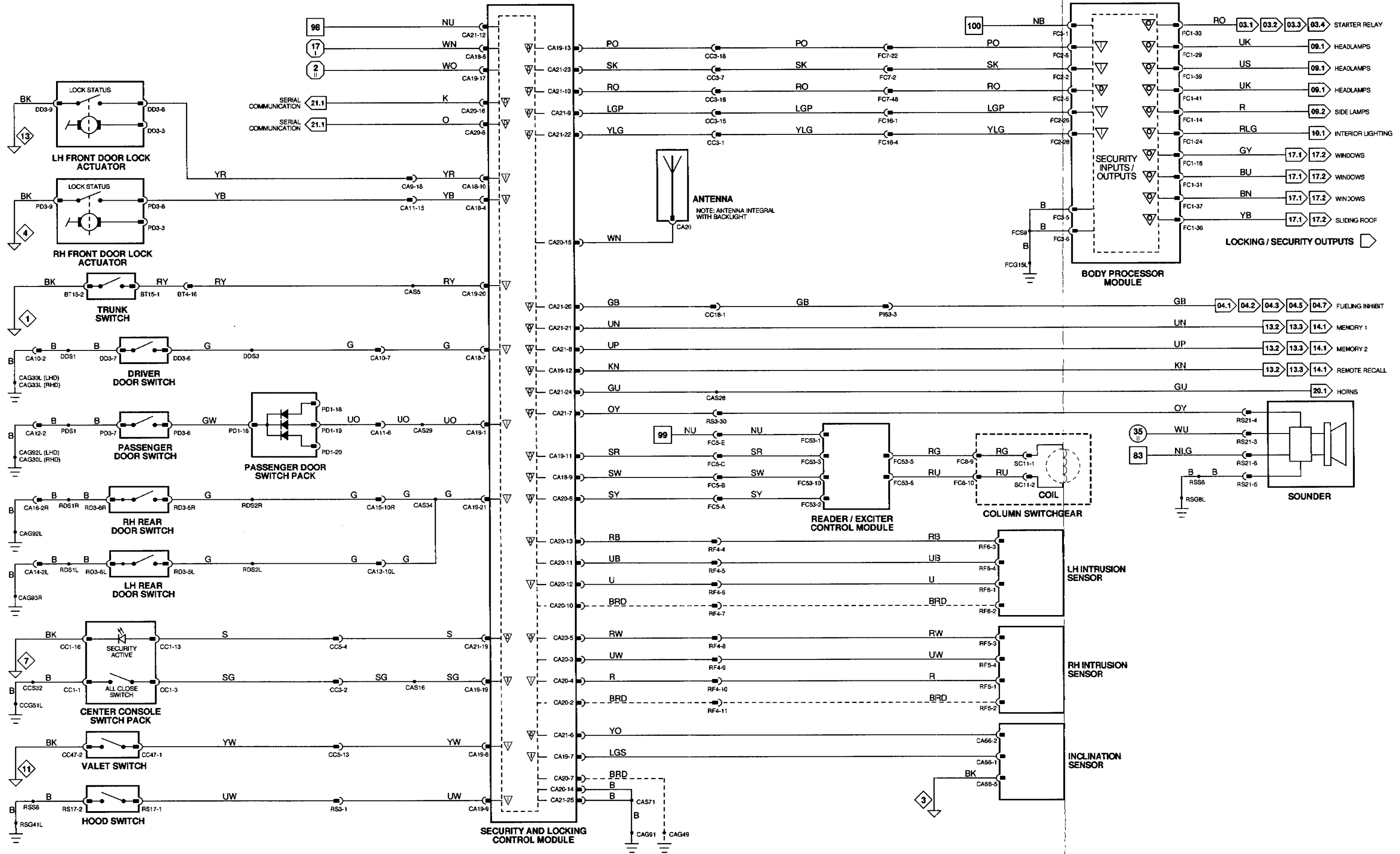
GROUNDS

Ground	Location / Type
CAG30L	LH 'A' POST GROUND SCREW
CAG33L	RH HEELBOARD GROUND SCREW
CAG48	RH CONSOLE GROUND STUD
CAG91	PARCEL SHELF GROUND SCREW
CAG92L	RH HEELBOARD GROUND SCREW
CAG93R	LH HEELBOARD GROUND SCREW
CCG51L	CENTER CONSOLE GROUND STUD
FCG15L	LH CONSOLE GROUND STUD
RSG41L	RIGHT FORWARD GROUND STUD
RSG8L	RIGHT FORWARD GROUND STUD

CONTROL MODULE PIN OUT INFORMATION (FOLD OUT PAGE)



REFER TO THE FRONT OF THE BOOK FOR ILLUSTRATIONS DETAILING THE LOCATION AND IDENTIFICATION OF COMPONENTS, RELAYS, CONNECTORS, HARNESSES, GROUNDS, VEHICLE CONTROL MODULES AND CONTROL MODULE PINS.



CONTROL MODULE PIN OUT INFORMATION

BODY PROCESSOR MODULE

Pin	Description	Active	Inactive
O FC1-14	LH PILOT BEAM, SIDE LAMPS AND TAIL LAMPS ON	GROUND	B+
O FC1-16	REAR WINDOW RAISE	GROUND	B+
O FC1-24	INTERIOR AND COURTESY LAMPS	GROUND	B+
O FC1-29	LH DIPPED BEAM ON	GROUND	B+
O FC1-31	FRONT PASSENGER WINDOW RAISE	GROUND	B+
O FC1-33	STARTER RELAY INHIBIT	GROUND	B+
O FC1-35	LH MAIN BEAM ON	GROUND	B+
O FC1-36	SLIDING ROOF CLOSE	GROUND	B+
O FC1-37	DRIVER WINDOW RAISE	GROUND	B+
O FC1-39	RH DIPPED BEAM ON	GROUND	B+
O FC1-41	RH MAIN BEAM ON	GROUND	B+
I FC2-2	INTERIOR LAMPS ON	GROUND	B+
D FC2-5	SECURE STATUS INPUT FROM SECURITY AND LOCKING CONTROL MODULE	ENCODED COMMUNICATIONS	B+
I FC2-6	HEADLAMP CONVENIENCE	GROUND PULSE	B+
I FC2-26	SECURITY SYSTEM VISUAL WARNING	GROUND PULSE	B+
I FC2-28	REMOTE ALL CLOSE REQUEST	GROUND	B+

SECURITY AND LOCKING CONTROL MODULE

Pin	Description	Active	Inactive
I CA18-1	PASSENGER DOOR AJAR	GROUND	1.74 V
I CA18-4	PASSENGER DOOR LOCK STATUS	GROUND - LOCKED	1.74 V - UNLOCKED
I CA18-7	DRIVER DOOR AJAR	GROUND	7.9 V
I CA18-10	DRIVER DOOR LOCK STATUS	GROUND - LOCKED	1.74 V - UNLOCKED
I CA19-6	VALET SWITCH	MOMENTARY GROUND	2 V
I CA19-7	INCLINATION SENSOR VIOLATION	GROUND PULSE	1.3 V
I CA19-9	HOOD AJAR	GROUND	1.7 V
O CA19-12	MEMORY SEAT REMOTE INDICATOR	GROUND PULSE	B+
O CA19-13	HEADLAMP CONVENIENCE	GROUND PULSE	7.89 V
I CA19-19	CENTRAL LOCKING SWITCH ALL CLOSE REQUEST	GROUND	B+
I CA19-20	TRUNK LID AJAR	GROUND	7.9 V
I CA19-21	REAR PASSENGER DOOR AJAR	GROUND	7.9 V
I CA20-4	RH INTRUSION SENSOR (NOT NAS)	SIGNAL	GROUND
O CA20-5	RH INTRUSION SENSOR VOLTAGE FEED (NOT NAS)	8 V	GROUND
D CA20-8	SERIAL COMMUNICATION INPUT		GROUND
I CA20-12	LH INTRUSION SENSOR (NOT NAS)	SIGNAL	GROUND
O CA20-13	LH INTRUSION SENSOR VOLTAGE FEED (NOT NAS)	8 V	GROUND
D CA20-16	SERIAL COMMUNICATION OUTPUT		GROUND
O CA21-6	INCLINATION SENSOR GROUND	GROUND	GROUND
O CA21-8	MEMORY POSITION 2 REQUEST	B+ PULSE	GROUND
O CA21-9	VISUAL WARNING	GROUND PULSE	B+
D CA21-10	SECURE STATUS OUTPUT TO BODY PROCESSOR	ENCODED COMMUNICATIONS	
O CA21-13	SECURITY SOUNDER	5 V (480 - 1900 Hz)	GROUND
O CA21-19	SECURITY ACTIVE LED	9V PULSE	GROUND
D CA21-20	FUELING INHIBIT SIGNAL OUTPUT (NOT NAS)	ENCODED COMMUNICATIONS	
O CA21-21	MEMORY POSITION 1 REQUEST	B+ PULSE	GROUND
O CA21-22	ALL CLOSE REQUEST	GROUND	7.8 V
O CA21-23	INTERIOR LIGHTS ON	GROUND PULSE	7.8 V
O CA21-24	HORN	GROUND PULSE	B+
O CA21-26	SECURITY SOUNDER	5 V (480 - 1900 Hz)	GROUND

The following symbols are used to represent values for Control Module Pin Out data:

I	Input	B+	Battery voltage
O	Output	V	Voltage (DC)
SG	Signal Ground	Hz	Frequency
D	Serial and encoded communications	KHz	Frequency x 1000
		MS	Milliseconds
		MV	Millivolts

CAUTION: The information on this data page is furnished to aid the user in understanding circuit operation. THIS INFORMATION SHOULD BE USED FOR REFERENCE ONLY.

NOTE: The values listed are approximately those that can be expected at the control module connector pins with all circuit connections made and all components connected and fitted. "Active" means a load is applied or a switch is ON; "Inactive" means a load is not applied or a switch is OFF.

Fig. 15.5

COMPONENTS

Component	Connector / Type / Color	Location / Access
BODY PROCESSOR MODULE	FC1 / 48-WAY PCB SIGNAL / YELLOW FC2 / 48-WAY PCB SIGNAL / BLACK FC3 / 6-WAY PCB SIGNAL / BLACK	PASSENGER'S UNDERSCUTTLE
CENTER CONSOLE SWITCH PACK	CC1 / 16-WAY MULTILOCK 040 / BLACK	CENTER CONSOLE
DOOR LOCK ACTUATOR - DRIVER	DD3 / 13-WAY ECONOSEAL III LC / BLACK	DOOR CASING
DOOR LOCK ACTUATOR - PASSENGER	PD3 / 13-WAY ECONOSEAL III LC / BLACK	DOOR CASING
DOOR SWITCH PACK - PASSENGER	PD1 / 26-WAY MULTILOCK 47 / SLATE	ARM REST / TOP ROLL
DOOR SWITCH - DRIVER	DD3 / 13-WAY ECONOSEAL III LC / BLACK	DOOR CASING
DOOR SWITCH - LH REAR	RD3-L / 6-WAY ECONOSEAL III LC / BLACK	DOOR CASING
DOOR SWITCH - PASSENGER	PD3 / 13-WAY ECONOSEAL III LC / BLACK	DOOR CASING
DOOR SWITCH - RH REAR	RD3-R / 6-WAY ECONOSEAL III LC / BLACK	DOOR CASING
HOOD SWITCH	RS17 / 2-WAY ECONOSEAL III LC / BLACK	ENGINE BAY, RH FRONT
INCLINATION SENSOR	CA66 / 6-WAY CS-25 / ORANGE	TRUNK, LH FRONT / TRUNK TRIM
INTRUSION SENSOR - LH	RF6 / 4-WAY MODU / BLACK	HEAD LINER, LH SIDE
INTRUSION SENSOR - RH	RF5 / 4-WAY MODU / BLACK	HEAD LINER, RH SIDE
SECURITY AND LOCKING CONTROL MODULE	CA18 / 12-WAY MULTILOCK 47 / SLATE CA19 / 22-WAY MULTILOCK 47 / SLATE CA20 / 16-WAY MULTILOCK 47 / SLATE CA21 / 26-WAY MULTILOCK 47 / SLATE CA26 / LUCAR / BLACK	TRUNK, LH FRONT / TRUNK TRIM
SECURITY ANTENNA		BACKLIGHT
SECURITY SOUNDER	RS21 (FLY LEAD) / 6-WAY ECONOSEAL III LC / BLACK	ENGINE BAY, RH FRONT
TRUNK SWITCH	BT15 / 2-WAY FORD DIAGNOSTIC / BLACK	TRUNK LID / TRUNK LID TRIM
VALET SWITCH	CC47 / 2-WAY MULTILOCK 040 / BLACK	CENTER CONSOLE GLOVE BOX

HARNESS-TO-HARNESS CONNECTORS

Connector	Type / Color	Location / Access
BT4	THROUGH-PANEL (48 MICRO / 6) / BLACK	ABOVE FUEL TANK / FUEL TANK TRIM
CA8	20-WAY MULTILOCK 040 / GREEN	DRIVER'S 'A' POST / 'A' POST TRIM
CA9	20-WAY MULTILOCK 040 / BLACK	DRIVER'S 'A' POST / 'A' POST TRIM
CA10	8-WAY MULTILOCK 070 / WHITE	DRIVER'S 'A' POST / 'A' POST TRIM
CA11	20-WAY MULTILOCK 040 / BLACK	PASSENGER'S UNDERSCUTTLE / ECM
CA12	15-WAY MULTILOCK 070 / WHITE	PASSENGER'S UNDERSCUTTLE / ECM
CA13	12-WAY MULTILOCK 040 / BLACK	LH 'BC' POST / 'BC' POST PANEL
CA14	2-WAY MULTILOCK 070 / WHITE	LH 'BC' POST / 'BC' POST PANEL
CA15	12-WAY MULTILOCK 040 / BLACK	RH 'BC' POST / 'BC' POST PANEL
CA16	2-WAY MULTILOCK 040 / WHITE	RH 'BC' POST / 'BC' POST PANEL
CC3	20-WAY MULTILOCK 040 / BLACK	CENTER CONSOLE / CENTER CONSOLE GLOVE BOX
CC5	20-WAY MULTILOCK 040 / GREEN	CENTER CONSOLE / CENTER CONSOLE GLOVE BOX
CC18	20-WAY MULTILOCK 040 / BLUE	CENTER CONSOLE / CENTER CONSOLE GLOVE BOX
FC7	THROUGH-PANEL (48 MICRO / 6) / BLACK	PASSENGER'S UNDERSCUTTLE
FC16	20-WAY MULTILOCK 040 / BLACK	PASSENGER'S UNDERSCUTTLE
PI1	13-WAY ECONOSEAL III LC / WHITE	REARWARD OF RH HEADLAMP
PI63	20-WAY MULTILOCK 040 / BLACK	RH 'A' POST / 'A' POST TRIM
RF4	12-WAY MULTILOCK 040 / BLACK	ROOF CONSOLE
RS3	THROUGH-PANEL (48 MICRO / 6) / BROWN	RH 'A' POST / 'A' POST PANEL

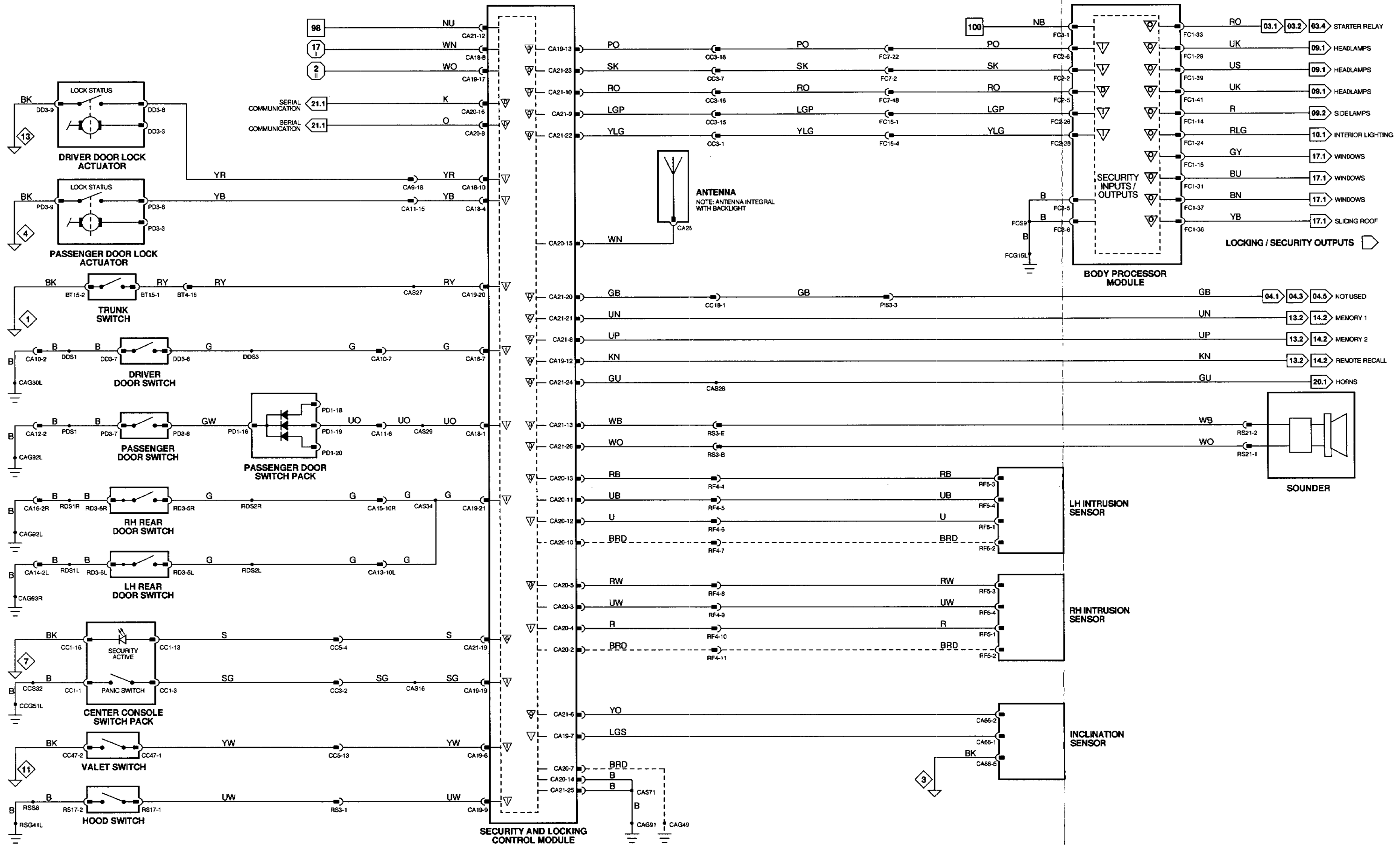
GROUNDS

Ground	Location / Type
CAG30L	LH 'A' POST GROUND SCREW
CAG49	RH CONSOLE GROUND STUD
CAG91	PARCEL SHELF GROUND SCREW
CAG92L	RH HEELBOARD GROUND SCREW
CAG93R	LH HEELBOARD GROUND SCREW
CCG51L	CENTER CONSOLE GROUND STUD
FCG15L	LH CONSOLE GROUND STUD
RSG41L	RIGHT FORWARD GROUND STUD

CONTROL MODULE PIN OUT INFORMATION (FOLD OUT PAGE)



REFER TO THE FRONT OF THE BOOK FOR ILLUSTRATIONS DETAILING THE LOCATION AND IDENTIFICATION OF COMPONENTS, RELAYS, CONNECTORS, HARNESES, GROUNDS, VEHICLE CONTROL MODULES AND CONTROL MODULE PINS.



CONTROL MODULE PIN OUT INFORMATION

BODY PROCESSOR MODULE

Pin	Description	Active	Inactive
O FC1-27	WIPER RELAY	GROUND	B+
O FC1-34	WINDSHIELD WASH PUMP RELAY	GROUND	B+
O FC1-40	HEADLAMP POWER WASH PUMP RELAY	GROUND	B+
I FC2-1	WIPER MOTOR PARK SWITCH	GROUND	B+
I FC2-3	SIDE LAMPS ON	GROUND	B+
I FC2-4	VEHICLE SPEED SENSOR	GROUND PULSE @ 10 MPH (16 KPH) = 20 Hz, 20 MPH (32 KPH) = 40 Hz	
I FC2-14	WASH (PRE-PROGRAMMED)	GROUND	B+
I FC2-22	WASHER FLUID LEVEL	GROUND	B+
I FC2-31	IGNITION SWITCHED GROUND	GROUND	B+
I FC2-39	WIPER DELAY	GROUND	B+
I FC2-47	SLOW / FLICK WIPER	GROUND	B+

Fig. 16.1

COMPONENTS

Component	Connector / Type / Color	Location / Access
AMBIENT TEMPERATURE SWITCH BODY PROCESSOR MODULE	BR7 / 2-WAY ECONOSEAL III LC / WHITE FC1 / 48-WAY PCB SIGNAL / YELLOW FC2 / 48-WAY PCB SIGNAL / BLACK FC3 / 6-WAY PCB SIGNAL / BLACK	LH FRONT WHEEL ARCH LINER / SPOILER TRAY PASSENGER'S UNDERSCUTTLE
DIODE (FC58) - WASH / WIPE SWITCH	FC58 / DIODE / BLACK	FASCIA HARNESS / PASSENGER AIR BAG (PASSENGER SIDE FASCIA TRIM)
DIODE (FC61) - WASH / WIPE SWITCH	FC61 / DIODE / BLACK	FASCIA HARNESS / PASSENGER AIR BAG (PASSENGER SIDE FASCIA TRIM)
LIGHTING SWITCHES POWER WASH PUMP WASH / WIPE SWITCHES (COLUMN SWITCHGEAR) WASHER FLUID LEVEL SWITCH WINDSHIELD WASH HEATER - LH WINDSHIELD WASH HEATER - RH WINDSHIELD WASH PUMP WIPER MOTOR	FC12 / 16-WAY MULTILOCK 040 / BLUE RS25 / 2-WAY ECONOSEAL III HC / RED SC2 / 6-WAY MULTILOCK 070 / WHITE RS19 / 2-WAY ECONOSEAL III LC / RED PI71 / 2-WAY SUMITOMO 90 / WHITE PI72 / 2-WAY SUMITOMO 90 / WHITE RS25 / 2-WAY ECONOSEAL III LC / BLACK LS9 / 6-WAY ECONOSEAL III LC / BLACK	FASCIA SWITCH PACK ENGINE BAY, RH INNER FENDER STEERING COLUMN / COVER WASHER FLUID RESERVOIR PLENUM CHAMBER / COVER PLENUM CHAMBER / COVER WASHER FLUID RESERVOIR PLENUM CHAMBER / COVER

RELAYS

Relay	Color / Stripe	Connector / Color	Location / Access
POWER WASH PUMP RELAY	BLACK / WHITE	RS20 / BLACK	RH ENGINE BAY RELAYS
WINDSHIELD WASH PUMP RELAY	BLACK	RS2 / BLACK	RH ENGINE BAY RELAYS
WIPER FAST / SLOW RELAY	BLACK	LS49 / BLACK	LH ENGINE BAY RELAYS
WIPER ON / OFF RELAY	BLACK	LS48 / BLACK	LH ENGINE BAY RELAYS

HARNESS-TO-HARNESS CONNECTORS

Connector	Type / Color	Location / Access
BR1	15-WAY ECONOSEAL III LC / BLACK	RH FRONT WHEEL ARCH LINER / SPOILER AND SPOILER TRAY
FC5	THROUGH-PANEL (48 MICRO / 6) / BLACK	LH FASCIA END PANEL / OUTER AIR VENT
FC6	THROUGH-PANEL (48 MICRO / 6) / BLACK	RH FASCIA END PANEL / OUTER AIR VENT
FC8	12-WAY MULTILOCK 040 / BLACK	DRIVER'S UNDERSCUTTLE
FC18	20-WAY MULTILOCK 040 / BLACK	PASSENGER'S UNDERSCUTTLE
LS3	THROUGH-PANEL (48 MICRO / 6) / BLACK	LH 'A' POST / 'A' POST PANEL
PI1	13-WAY ECONOSEAL III LC / WHITE	REARWARD OF RH HEADLAMP
PI61	13-WAY ECONOSEAL III LC / BLACK	REARWARD OF RH HEADLAMP
RS3	THROUGH-PANEL (48 MICRO / 6) / BROWN	RH 'A' POST / 'A' POST PANEL

GROUNDS

Ground	Location / Type
FCG15L	LH CONSOLE GROUND STUD
FCG28R	LH CONSOLE GROUND STUD
LSG19L	LH BULKHEAD GROUND STUD
LSG19R	LH BULKHEAD GROUND STUD
LSG52R	LEFT FORWARD GROUND STUD
RSG41L	RIGHT FORWARD GROUND STUD
RSG41R	RIGHT FORWARD GROUND STUD
RSG42R	RH BULKHEAD GROUND STUD
RSG8L	RIGHT FORWARD GROUND STUD

CONTROL MODULE PIN OUT INFORMATION (FOLD OUT PAGE)



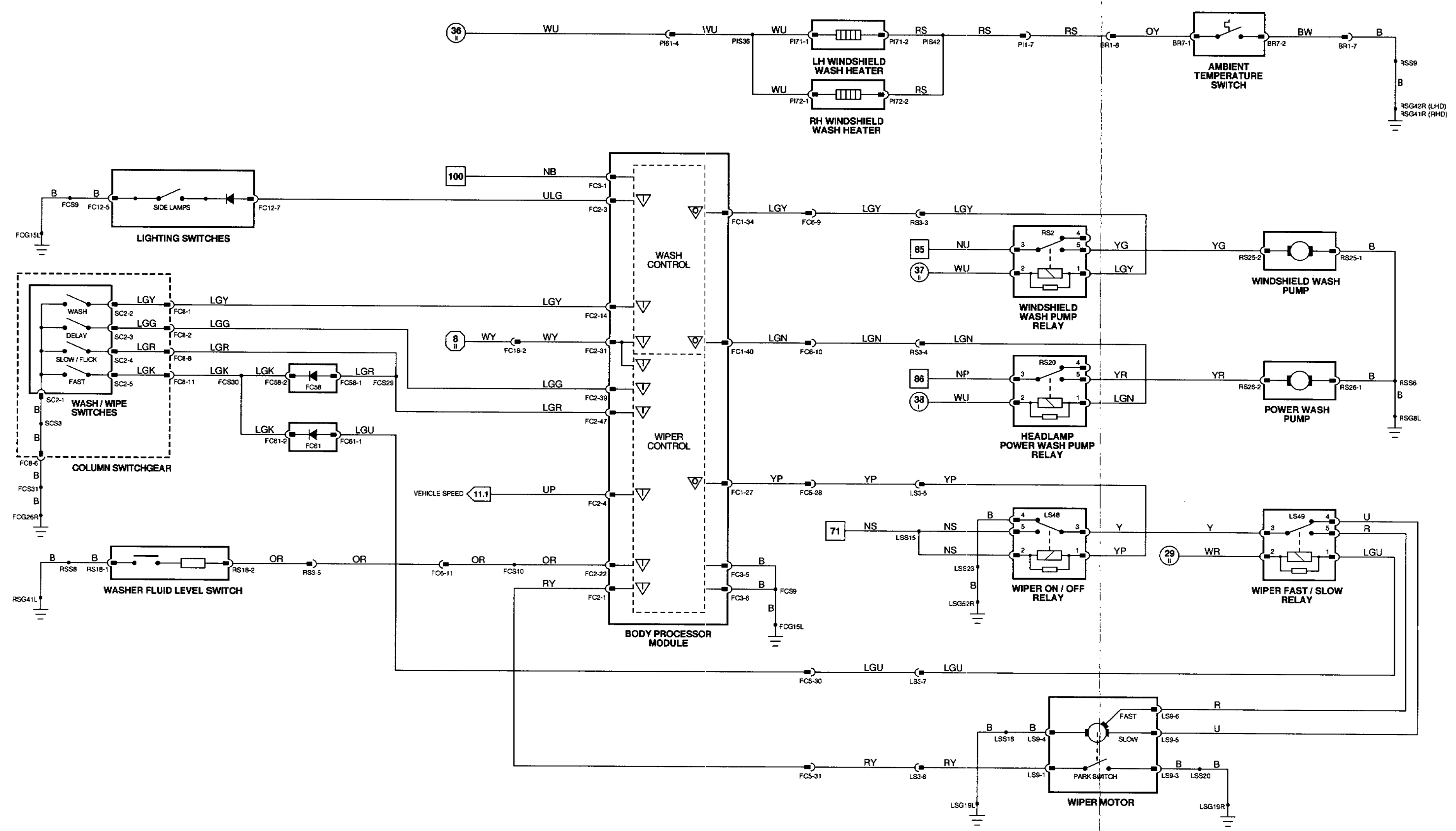
The following symbols are used to represent values for Control Module Pin Out data:

I Input	B+ Battery voltage
O Output	V Voltage (DC)
SG Signal Ground	Hz Frequency
D Serial and encoded communications	KHz Frequency x 1000
	MS Milliseconds
	MV Millivolts

CAUTION: The information on this data page is furnished to aid the user in understanding circuit operation. THIS INFORMATION SHOULD BE USED FOR REFERENCE ONLY.

NOTE: The values listed are approximately those that can be expected at the control module connector pins with all circuit connections made and all components connected and fitted. "Active" means a load is applied or a switch is ON; "Inactive" means a load is not applied or a switch is OFF.

REFER TO THE FRONT OF THE BOOK FOR ILLUSTRATIONS DETAILING THE LOCATION AND IDENTIFICATION OF COMPONENTS, RELAYS, CONNECTORS, HARNESES, GROUNDS, VEHICLE CONTROL MODULES AND CONTROL MODULE PINS.



CONTROL MODULE PIN OUT INFORMATION

BODY PROCESSOR MODULE

Pin	Description	Active	Inactive
0 FC1-16	REAR WINDOW RAISE	GROUND	B+
0 FC1-31	FRONT PASSENGER WINDOW RAISE	GROUND	B+
0 FC1-36	SLIDING ROOF CLOSE	GROUND	B+
0 FC1-37	DRIVER WINDOW RAISE	GROUND	B+
I FC2-28	REMOTE ALL CLOSE REQUEST	GROUND	B+

SLIDING ROOF CONTROL MODULE

Pin	Description	Active	Inactive
I CA84-2	ALL CLOSE REQUEST	GROUND	B+
I CA84-4	ALL CLOSE REQUEST TO BM	GROUND	B+
I CA84-5	TILT OPEN / SLIDE CLOSE REQUEST	GROUND	B+
I CA84-6	TILT CLOSE / SLIDE OPEN REQUEST	GROUND	B+
0 SR1-1	SLIDING ROOF MOTOR	B+	GROUND
0 SR1-3	SLIDING ROOF MOTOR	B+	GROUND

COMPONENTS

Component	Connector / Type / Color	Location / Access
BODY PROCESSOR MODULE	FC1 / 48-WAY PCB SIGNAL / YELLOW FC2 / 48-WAY PCB SIGNAL / BLACK FC3 / 6-WAY PCB SIGNAL / BLACK	PASSENGER'S UNDERSCUTTLE
CENTER CONSOLE SWITCH PACK	CC1 / 16-WAY MULTILOCK 040 / BLACK	CENTER CONSOLE
DOOR SWITCH PACK - DRIVER	DD1 / 12-WAY MULTILOCK 47 / WHITE DD2 / 22-WAY MULTILOCK 47 / WHITE	ARM REST / TOP ROLL
SLIDING ROOF CONTROL MODULE	CA84 / 8-WAY MULTILOCK 070 / WHITE SR1 / 3-WAY MULTILOCK 070 / WHITE	ROOF CONSOLE
SLIDING ROOF MOTOR	SR1 / 3-WAY MULTILOCK 070 / WHITE	ROOF CONSOLE
SLIDING ROOF SWITCH	CA83 / 8-WAY MULTILOCK 040 / BLACK	ROOF CONSOLE
WINDOW LIFT MOTOR - DRIVER	DD5 / 2-WAY ECONOSEAL III LC / BLACK	DRIVER'S DOOR / DOOR CASING
WINDOW LIFT MOTOR - LH REAR	RD5-L / 2-WAY ECONOSEAL III LC / BLACK	LH REAR DOOR / DOOR CASING
WINDOW LIFT MOTOR - PASSENGER	PD5 / 2-WAY ECONOSEAL III LC / BLACK	PASSENGER'S DOOR / DOOR CASING
WINDOW LIFT MOTOR - RH REAR	RD5-R / 2-WAY ECONOSEAL III LC / BLACK	RH DOOR / DOOR CASING
WINDOW LIFT SWITCH PACK - LH REAR	RD1-L / 26-WAY MULTILOCK 47 / SLATE	LH REAR DOOR ARM REST / TOP ROLL
WINDOW LIFT SWITCH PACK - PASSENGER	PD1 / 26-WAY MULTILOCK 47 / SLATE	PASSENGER'S DOOR ARM REST / TOP ROLL
WINDOW LIFT SWITCH PACK - RH REAR	RD1-R / 26-WAY MULTILOCK 47 / SLATE	RH REAR DOOR ARM REST / TOP ROLL

HARNESS-TO-HARNESS CONNECTORS

Connector	Type / Color	Location / Access
CA8	26-WAY MULTILOCK 040 / GREEN	DRIVER'S 'A' POST / 'A' POST TRIM
CA9	20-WAY MULTILOCK 040 / BLACK	DRIVER'S 'A' POST / 'A' POST TRIM
CA10	8-WAY MULTILOCK 070 / WHITE	DRIVER'S 'A' POST / 'A' POST TRIM
CA11	20-WAY MULTILOCK 040 / BLACK	PASSENGER'S UNDERSCUTTLE / ECM
CA12	15-WAY MULTILOCK 070 / WHITE	PASSENGER'S UNDERSCUTTLE / ECM
CA13	12-WAY MULTILOCK 040 / BLACK	LH 'BC' POST / 'BC' POST PANEL
CA14	2-WAY MULTILOCK 070 / WHITE	LH 'BC' POST / 'BC' POST PANEL
CA15	12-WAY MULTILOCK 040 / BLACK	RH 'BC' POST / 'BC' POST PANEL
CA16	2-WAY MULTILOCK 040 / WHITE	RH 'BC' POST / 'BC' POST PANEL
CC3	20-WAY MULTILOCK 040 / BLACK	CENTER CONSOLE / CENTER CONSOLE GLOVE BOX
CC18	20-WAY MULTILOCK 040 / BLUE	CENTER CONSOLE / CENTER CONSOLE GLOVE BOX
FC5	THROUGH-PANEL (48 MICRO / 6) / BLACK	LH FASCIA END PANEL / OUTER AIR VENT
FC16	20-WAY MULTILOCK 040 / BLACK	PASSENGER'S UNDERSCUTTLE

GROUNDS

Ground	Location / Type
CAG30L	LH 'A' POST GROUND SCREW
CAG31R	PARCEL SHELF GROUND SCREW
CAG92L	RH HEELBOARD GROUND SCREW
CAG93R	LH HEELBOARD GROUND SCREW
CCG51L	CENTER CONSOLE GROUND STUD
FCG15L	LH CONSOLE GROUND STUD

CONTROL MODULE PIN OUT INFORMATION (FOLD OUT PAGE)



The following symbols are used to represent values for Control Module Pin Out data:

I Input	B+ Battery voltage
O Output	V Voltage (DC)
SG Signal Ground	Hz Frequency
D Serial and encoded communications	KHz Frequency x 1000
	MS Milliseconds
	MV Millivolts

CAUTION: The information on this data page is furnished to aid the user in understanding circuit operation. THIS INFORMATION SHOULD BE USED FOR REFERENCE ONLY.

NOTE: The values listed are approximately those that can be expected at the control module connector pins with all circuit connections made and all components connected and fitted. "Active" means a load is applied or a switch is ON; "Inactive" means a load is not applied or a switch is OFF.

REFER TO THE FRONT OF THE BOOK FOR ILLUSTRATIONS DETAILING THE LOCATION AND IDENTIFICATION OF COMPONENTS, RELAYS, CONNECTORS, HARNESSSES, GROUNDS, VEHICLE CONTROL MODULES AND CONTROL MODULE PINS.

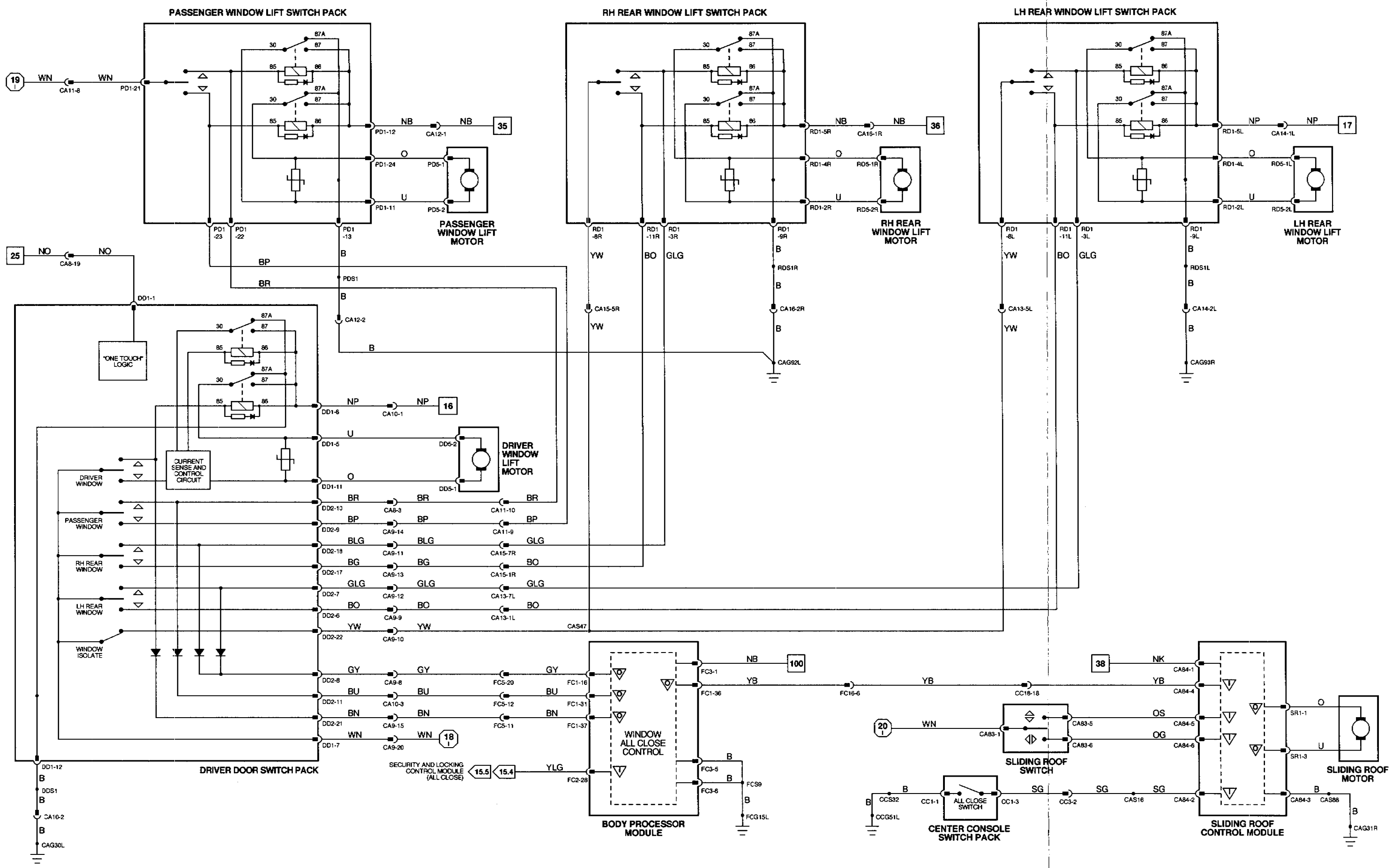


Fig. 17.2

CONTROL MODULE PIN OUT INFORMATION

BODY PROCESSOR MODULE

Pin	Description	Active	Inactive
0 FC1-16	REAR WINDOW RAISE	GROUND	B+
0 FC1-31	FRONT PASSENGER WINDOW RAISE	GROUND	B+
0 FC1-36	SLIDING ROOF CLOSE	GROUND	B+
0 FC1-37	DRIVER WINDOW RAISE	GROUND	B+
I FC2-28	REMOTE ALL CLOSE REQUEST	GROUND	B+

SLIDING ROOF CONTROL MODULE

Pin	Description	Active	Inactive
I CA84-2	ALL CLOSE REQUEST	GROUND	B+
I CA84-4	ALL CLOSE REQUEST TO BPM	GROUND	B+
I CA84-5	TILT OPEN / SLIDE CLOSE REQUEST	GROUND	B+
I CA84-6	TILT CLOSE / SLIDE OPEN REQUEST	GROUND	B+
0 SR1-1	SLIDING ROOF MOTOR	B+	GROUND
0 SR1-3	SLIDING ROOF MOTOR	B+	GROUND

COMPONENTS

Component	Connector / Type / Color	Location / Access
BODY PROCESSOR MODULE	FC1 / 48-WAY PCB SIGNAL / YELLOW FC2 / 48-WAY PCB SIGNAL / BLACK FC3 / 6-WAY PCB SIGNAL / BLACK	PASSENGER'S UNDERSCUTTLE
CENTER CONSOLE SWITCH PACK DOOR SWITCH PACK - DRIVER	CC1 / 16-WAY MULTILOCK 040 / BLACK DD1 / 12-WAY MULTILOCK 47 / WHITE DD2 / 22-WAY MULTILOCK 47 / WHITE	CENTER CONSOLE ARM REST / TOP ROLL
SLIDING ROOF CONTROL MODULE	CA84 / 8-WAY MULTILOCK 070 / WHITE SR1 / 3-WAY MULTILOCK 070 / WHITE	ROOF CONSOLE
SLIDING ROOF MOTOR SLIDING ROOF SWITCH WINDOW LIFT MOTOR - DRIVER WINDOW LIFT MOTOR - LH REAR WINDOW LIFT MOTOR - PASSENGER WINDOW LIFT MOTOR - RH REAR WINDOW LIFT SWITCH PACK - LH REAR WINDOW LIFT SWITCH PACK - PASSENGER WINDOW LIFT SWITCH PACK - RH REAR	SR1 / 3-WAY MULTILOCK 070 / WHITE CA83 / 8-WAY MULTILOCK 040 / BLACK DD5 / 2-WAY ECONOSEAL III LC / BLACK RD5-L / 2-WAY ECONOSEAL III LC / BLACK PD5 / 2-WAY ECONOSEAL III LC / BLACK RD5-R / 2-WAY ECONOSEAL III LC / BLACK RD1-L / 26-WAY MULTILOCK 47 / SLATE PD1 / 26-WAY MULTILOCK 47 / SLATE RD1-R / 26-WAY MULTILOCK 47 / SLATE	ROOF CONSOLE ROOF CONSOLE DRIVER'S DOOR / DOOR CASING LH REAR DOOR / DOOR CASING PASSENGER'S DOOR / DOOR CASING RH DOOR / DOOR CASING LH REAR DOOR ARM REST / TOP ROLL PASSENGER'S DOOR ARM REST / TOP ROLL RH REAR DOOR ARM REST / TOP ROLL

HARNESS-TO-HARNESS CONNECTORS

Connector	Type / Color	Location / Access
CAB	20-WAY MULTILOCK 040 / GREEN	DRIVER'S 'A' POST / 'A' POST TRIM
CA9	20-WAY MULTILOCK 040 / BLACK	DRIVER'S 'A' POST / 'A' POST TRIM
CA10	8-WAY MULTILOCK 070 / WHITE	DRIVER'S 'A' POST / 'A' POST TRIM
CA11	20-WAY MULTILOCK 040 / BLACK	PASSENGER'S UNDERSCUTTLE / ECM
CA12	15-WAY MULTILOCK 070 / WHITE	PASSENGER'S UNDERSCUTTLE / ECM
CA13	12-WAY MULTILOCK 040 / BLACK	LH 'BC' POST / 'BC' POST PANEL
CA14	2-WAY MULTILOCK 070 / WHITE	LH 'BC' POST / 'BC' POST PANEL
CA15	12-WAY MULTILOCK 040 / BLACK	RH 'BC' POST / 'BC' POST PANEL
CA16	2-WAY MULTILOCK 040 / WHITE	RH 'BC' POST / 'BC' POST PANEL
CC3	20-WAY MULTILOCK 040 / BLACK	CENTER CONSOLE / CENTER CONSOLE GLOVE BOX
CC18	20-WAY MULTILOCK 040 / BLUE	CENTER CONSOLE / CENTER CONSOLE GLOVE BOX
FC6	THROUGH-PANEL (48 MICRO / 6) / BLACK	RH FASCIA END PANEL / OUTER AIR VENT
FC16	20-WAY MULTILOCK 040 / BLACK	PASSENGER'S UNDERSCUTTLE

GROUNDS

Ground	Location / Type
CAG30L	LH 'A' POST GROUND SCREW
CAG31R	PARCEL SHELF GROUND SCREW
CAG92L	RH HEELBOARD GROUND SCREW
CAG93R	LH HEELBOARD GROUND SCREW
CCG51L	CENTER CONSOLE GROUND STUD
FCG15L	LH CONSOLE GROUND STUD

CONTROL MODULE PIN OUT INFORMATION (FOLD OUT PAGE)



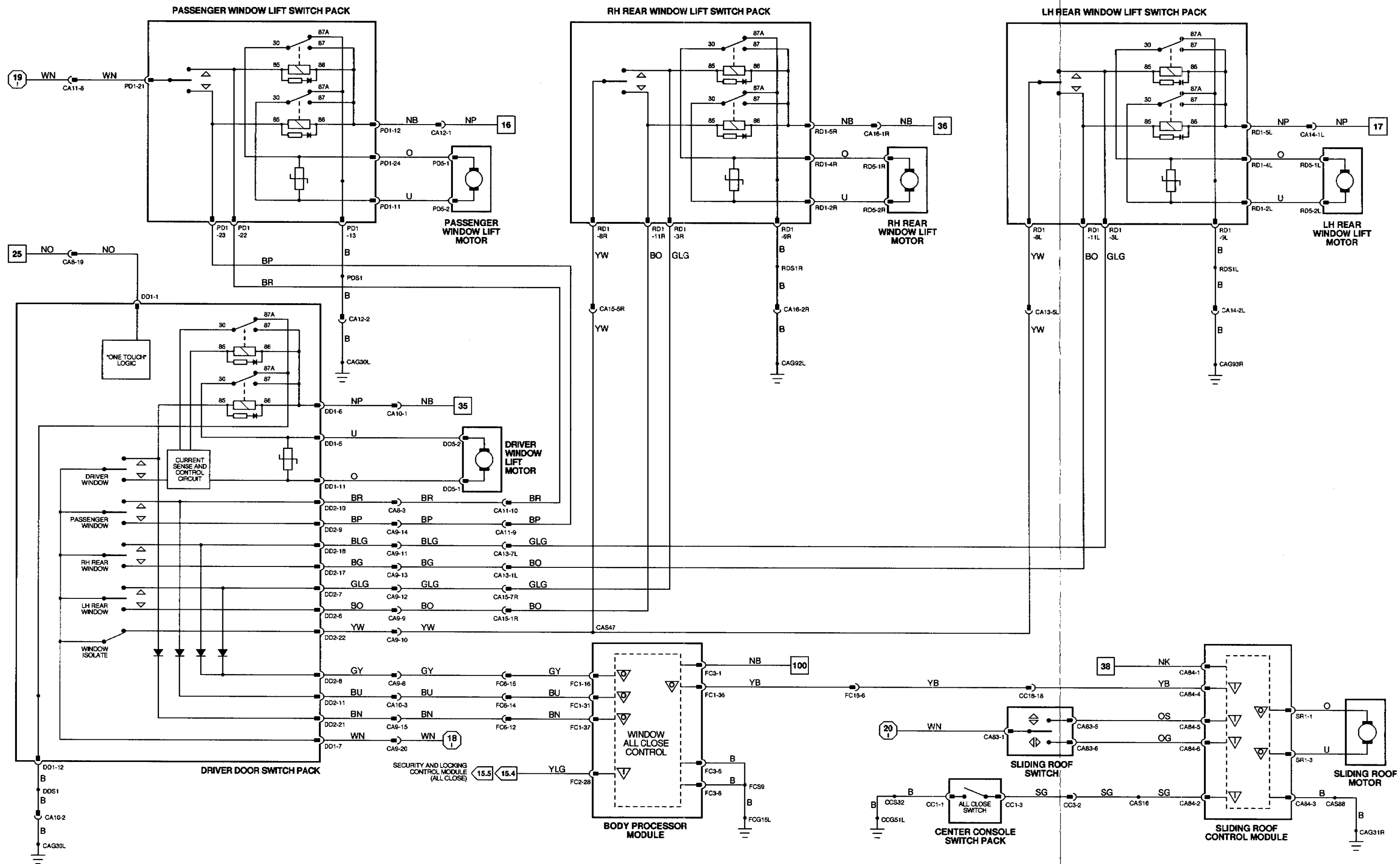
The following symbols are used to represent values for Control Module Pin Out data:

I Input	B+ Battery voltage
0 Output	V Voltage (DC)
SG Signal Ground	Hz Frequency
D Serial and encoded communications	KHz Frequency x 1000
	MS Milliseconds
	MV Millivolts

CAUTION: The information on this data page is furnished to aid the user in understanding circuit operation. THIS INFORMATION SHOULD BE USED FOR REFERENCE ONLY.

NOTE: The values listed are approximately those that can be expected at the control module connector pins with all circuit connections made and all components connected and fitted. "Active" means a load is applied or a switch is ON; "Inactive" means a load is not applied or a switch is OFF.

REFER TO THE FRONT OF THE BOOK FOR ILLUSTRATIONS DETAILING THE LOCATION AND IDENTIFICATION OF COMPONENTS, RELAYS, CONNECTORS, HARNESES, GROUNDS, VEHICLE CONTROL MODULES AND CONTROL MODULE PINS.



CONTROL MODULE PIN OUT INFORMATION

RADIO CASSETTE

Pin	Description	Active	Inactive
IC1-5	ANTENNA UP	B+	GROUND

Fig. 18.1

COMPONENTS

Component	Connector / Type / Color	Location / Access
CD AUTO CHANGER	IC3 / 2-WAY ANTENNA / BLACK	PARCEL SHELF CENTER CONSOLE
HANDSET	RT63 / 8-WAY PHONE / BLACK RT67 / 2-WAY MULTILOCK 040 / BLUE CA67 / 2-WAY MULTILOCK 040 / BLUE	ROOF CONSOLE DOOR CASING
MICROPHONE	DD6 (LHD) (FLY LEAD) / 2-WAY GROTE AND HARTMAN / BLACK PD6 (RHD) (FLY LEAD) / 2-WAY GROTE AND HARTMAN / BLACK RD6-L (FLY LEAD) / 2-WAY GROTE AND HARTMAN / BLACK DD6 (RHD) (FLY LEAD) / 2-WAY GROTE AND HARTMAN / BLACK PD6 (LHD) (FLY LEAD) / 2-WAY GROTE AND HARTMAN / BLACK RD6-R (FLY LEAD) / 2-WAY GROTE AND HARTMAN / BLACK	DOOR CASING DOOR CASING
MID-BASS - LH FRONT	IC12 / 2-WAY ANTENNA CONNECTOR / BLACK	DOOR CASING
MID-BASS - LH REAR	BT44 / 8-WAY YAZAKI / WHITE	RH REAR FENDER / TRUNK TRIM TRUNK, RH SIDE / TRUNK TRIM
MID-BASS - RH FRONT	IC1 / 20-WAY MULTILOCK 070 / WHITE IC13 / 2-WAY ANTENNA CONNECTOR / WHITE IC19 / CD AUTOCHANGER CONNECTOR	CENTER CONSOLE
MID-BASS - RH REAR	RT65 / ANTENNA CONNECTOR / BLACK	HEADLINER, REAR
RADIO ANTENNA	RT62 / 25-WAY D TYPE / BLACK	PARCEL SHELF / TRUNK TRIM
RADIO ANTENNA MOTOR	RT64 / ANTENNA CONNECTOR / BLACK	
RADIO CASSETTE	FC32 (FLY LEAD) / 2-WAY MODU / BLACK CA81 (FLY LEAD) / 2-WAY MODU / BLACK FC31 (FLY LEAD) / 2-WAY MODU / BLACK CA82 (FLY LEAD) / 2-WAY MODU / BLACK	FASCIA, LH SIDE PARCEL SHELF, LH SIDE FASCIA, LH SIDE PARCEL SHELF, RH SIDE
TELEPHONE ANTENNA		
TELEPHONE TRANSCEIVER		
TWEETER - LH FRONT, STANDARD ICE		
TWEETER - LH REAR, STANDARD ICE		
TWEETER - RH FRONT, STANDARD ICE		
TWEETER - RH REAR, STANDARD ICE		

HARNESSTO-HARNESSTO CONNECTORS

Connector	Type / Color	Location / Access
BT4	THROUGH-PANEL (48 MICRO / 6) / BLACK	ABOVE FUEL TANK / FUEL TANK TRIM
CA77	2-WAY MULTILOCK 070 / YELLOW	DRIVER'S 'A' POST / 'A' POST PANEL
CA78	2-WAY MULTILOCK 070 / YELLOW	PASSENGER'S 'A' POST / 'A' POST PANEL
CA79	2-WAY MULTILOCK 070 / YELLOW	LH 'BC' POST / 'BC' POST PANEL
CA80	2-WAY MULTILOCK 070 / YELLOW	RH 'BC' POST / 'BC' POST PANEL
IC2	8-WAY MULTILOCK 070 / WHITE	ABOVE FUEL TANK / FUEL TANK TRIM
IC7	8-WAY MULTILOCK 070 / WHITE	PASSENGER'S UNDERSCUTTLE
IC22	18-WAY MULTILOCK 070 / WHITE	RH REAR SEAT / UNDER
IC23	4-WAY MULTILOCK 040 / BLACK	LH HEELBOARD / HEELBOARD COVER
RT61	12-WAY MULTILOCK 040 / BLACK	PARCEL SHELF / UNDER
RT66	10-WAY YAZAKI / BLACK	PARCEL SHELF / UNDER

GROUNDS

Ground	Location / Type
BTG18R	REAR TRUNK GROUND STUD
CAG91	PARCEL SHELF GROUND SCREW
CEG2	RADIO GROUND STUD
ICG24	RADIO GROUND STUD

CONTROL MODULE PIN OUT INFORMATION (FOLD OUT PAGE)



The following symbols are used to represent values for Control Module Pin Out data:

I	Input	B+	Battery voltage
O	Output	V	Voltage (DC)
SG	Signal Ground	Hz	Frequency
D	Serial and encoded communications	KHz	Frequency x 1000
		MS	Milliseconds
		MV	Millivolts

CAUTION: The information on this data page is furnished to aid the user in understanding circuit operation. THIS INFORMATION SHOULD BE USED FOR REFERENCE ONLY.

NOTE: The values listed are approximately those that can be expected at the control module connector pins with all circuit connections made and all components connected and fitted. "Active" means a load is applied or a switch is ON; "Inactive" means a load is not applied or a switch is OFF.

REFER TO THE FRONT OF THE BOOK FOR ILLUSTRATIONS DETAILING THE LOCATION AND IDENTIFICATION OF COMPONENTS, RELAYS, CONNECTORS, HARNESSES, GROUNDS, VEHICLE CONTROL MODULES AND CONTROL MODULE PINS.

CONTROL MODULE PIN OUT INFORMATION

POWER AMPLIFIER

Pin	Description	Active	Inactive
I IC30-1	RH REAR CHANNEL LOW LEVEL INPUT	0 - 30 MV	0 MV
I IC30-2	RH FRONT CHANNEL LOW LEVEL INPUT	0 - 30 MV	0 MV
SG IC30-3	SIGNAL GROUND	GROUND	GROUND
I IC30-6	LH REAR CHANNEL LOW LEVEL INPUT	0 - 30 MV	0 MV
I IC30-7	LH FRONT CHANNEL LOW LEVEL INPUT	0 - 30 MV	0 MV

RADIO CASSETTE

Pin	Description	Active	Inactive
O IC1-5	ANTENNA UP / AMPLIFIER ON SIGNAL	B+	GROUND
O IC34-1	RH FRONT CHANNEL LOW LEVEL OUTPUT	0 - 30 MV	0 MV
O IC34-2	LH FRONT CHANNEL LOW LEVEL OUTPUT	0 - 30 MV	0 MV
SG IC34-3	SIGNAL GROUND	GROUND	GROUND
O IC34-4	LH REAR CHANNEL LOW LEVEL OUTPUT	0 - 30 MV	0 MV
O IC34-5	RH REAR CHANNEL LOW LEVEL OUTPUT	0 - 30 MV	0 MV

COMPONENTS

Component	Connector / Type / Color	Location / Access
CD AUTO CHANGER HANDSET	ICS / 2-WAY ANTENNA / BLACK RT83 / 8-WAY PHONE / BLACK RT87 / 2-WAY MULTILOCK 040 / BLUE	PARCEL SHELF CENTER CONSOLE
MICROPHONE MID-BASS - LH FRONT	CA67 / 2-WAY MULTILOCK 040 / BLUE DD6 (LHD) (FLY LEAD) / 2-WAY GROTE AND HARTMAN / BLACK PD6 (RHD) (FLY LEAD) / 2-WAY GROTE AND HARTMAN / BLACK	ROOF CONSOLE DOOR CASING
MID-BASS - LH REAR MID-BASS - RH FRONT	RD6-L (FLY LEAD) / 2-WAY GROTE AND HARTMAN / BLACK DD6 (RHD) (FLY LEAD) / 2-WAY GROTE AND HARTMAN / BLACK PD6 (LHD) (FLY LEAD) / 2-WAY GROTE AND HARTMAN / BLACK	DOOR CASING DOOR CASING
MID-BASS - RH REAR POWER AMPLIFIER	RD6-R (FLY LEAD) / 2-WAY GROTE AND HARTMAN / BLACK IC30 / 12-WAY MULTILOCK 070 / WHITE IC31 / 18-WAY MULTILOCK 070 / WHITE	DOOR CASING PARCEL SHELF / TRUNK TRIM
RADIO ANTENNA RADIO ANTENNA MOTOR RADIO CASSETTE	IC12 / 2-WAY ANTENNA CONNECTOR / BLACK BT44 / 6-WAY YAZAKI / WHITE IC1 / 20-WAY MULTILOCK 070 / WHITE IC13 / 2-WAY ANTENNA CONNECTOR / WHITE IC19 / CD AUTOCHANGER CONNECTOR IC34 / 6-WAY DIN / SLATE	RH REAR FENDER / TRUNK TRIM TRUNK, RH SIDE / TRUNK TRIM CENTER CONSOLE
SUBWOOFER	IC32 (FLY LEAD) / 2-WAY GROTE AND HARTMAN / BLACK IC33 (FLY LEAD) / 2-WAY GROTE AND HARTMAN / BLACK	PARCEL SHELF / TRUNK TRIM
TELEPHONE ANTENNA TELEPHONE TRANSCEIVER	RT65 / ANTENNA CONNECTOR / BLACK RT82 / 25-WAY D TYPE / BLACK RT84 / ANTENNA CONNECTOR / BLACK	HEADLINER, REAR PARCEL SHELF / TRUNK TRIM
TWEETER - LH FRONT, PREMIUM ICE TWEETER - LH REAR, PREMIUM ICE TWEETER - RH FRONT, PREMIUM ICE TWEETER - RH REAR, PREMIUM ICE	CA102 (FLY LEAD) / 2-WAY MULTILOCK 040 / BLACK MB1-L (FLY LEAD) / 2-WAY MODU / BLACK CA101 (FLY LEAD) / 2-WAY MULTILOCK 040 / BLACK MB1-R (FLY LEAD) / 2-WAY MODU / BLACK	FASCIA, LH SIDE PARCEL SHELF, LH SIDE FASCIA, RH SIDE PARCEL SHELF, RH SIDE

HARNESSTO-HARNESSTO CONNECTORS

Connector	Type / Color	Location / Access
BT4	THROUGH-PANEL (48 MICRO / 8) / BLACK	ABOVE FUEL TANK / FUEL TANK TRIM
CA77	2-WAY MULTILOCK 070 / YELLOW	DRIVER'S 'A' POST / 'A' POST PANEL
CA78	2-WAY MULTILOCK 070 / YELLOW	PASSENGER'S 'A' POST / 'A' POST PANEL
CA79	2-WAY MULTILOCK 070 / YELLOW	LH 'BC' POST / 'BC' POST PANEL
CA80	2-WAY MULTILOCK 070 / YELLOW	RH 'BC' POST / 'BC' POST PANEL
IC2	8-WAY MULTILOCK 070 / WHITE	ABOVE FUEL TANK / FUEL TANK TRIM
IC7	8-WAY MULTILOCK 070 / WHITE	PASSENGER'S UNDERSCUTTLE
IC22	18-WAY MULTILOCK 070 / WHITE	RH REAR SEAT / UNDER
IC23	4-WAY MULTILOCK 040 / BLACK	LH HEELBOARD / HEELBOARD COVER
RT61	12-WAY MULTILOCK 040 / BLACK	PARCEL SHELF / UNDER
RT66	10-WAY YAZAKI / BLACK	PARCEL SHELF / UNDER

GROUNDS

Ground	Location / Type
BTG18R	REAR TRUNK GROUND STUD
CAG91	PARCEL SHELF GROUND SCREW
CEG2	RADIO GROUND STUD
ICG16L	FRONT TRUNK GROUND STUD
ICG18R	FRONT TRUNK GROUND STUD
ICG24	RADIO GROUND STUD

CONTROL MODULE PIN OUT INFORMATION (FOLD OUT PAGE)



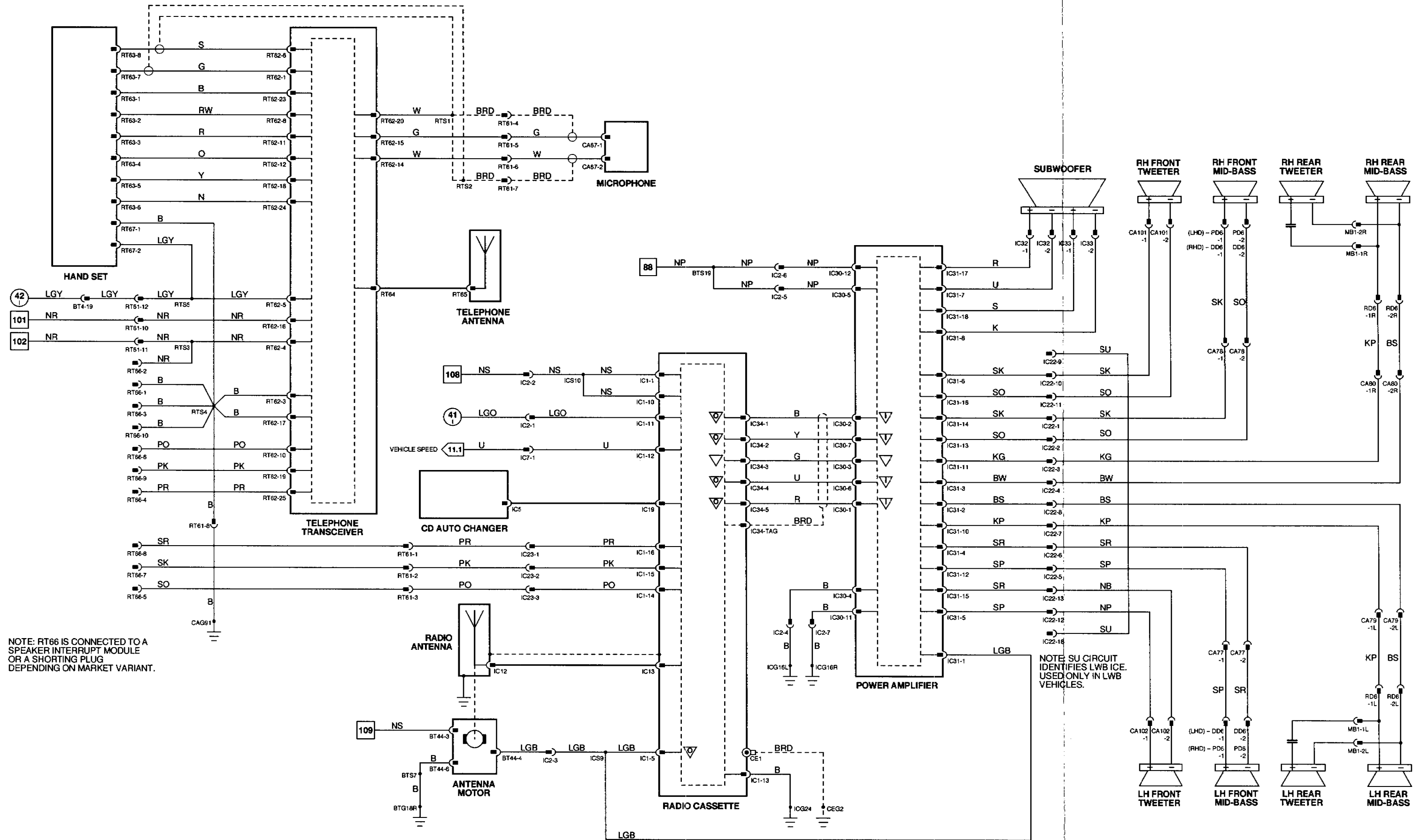
The following symbols are used to represent values for Control Module Pin Out data:

I Input	B+ Battery voltage
O Output	V Voltage (DC)
SG Signal Ground	Hz Frequency
D Serial and encoded communications	KHz Frequency x 1000
	MS Milliseconds
	MV Millivolts

CAUTION: The information on this data page is furnished to aid the user in understanding circuit operation. THIS INFORMATION SHOULD BE USED FOR REFERENCE ONLY.

NOTE: The values listed are approximately those that can be expected at the control module connector pins with all circuit connections made and all components connected and fitted. "Active" means a load is applied or a switch is ON; "Inactive" means a load is not applied or a switch is OFF.

REFER TO THE FRONT OF THE BOOK FOR ILLUSTRATIONS DETAILING THE LOCATION AND IDENTIFICATION OF COMPONENTS, RELAYS, CONNECTORS, HARNESSES, GROUND, VEHICLE CONTROL MODULES AND CONTROL MODULE PINS.



CONTROL MODULE PIN OUT INFORMATION

POWER AMPLIFIER

Pin	Description	Active	Inactive
I IC30-1	RH REAR CHANNEL LOW LEVEL INPUT	0 - 30 MV	0 MV
I IC30-2	RH FRONT CHANNEL LOW LEVEL INPUT	0 - 30 MV	0 MV
SG IC30-3	SIGNAL GROUND	GROUND	GROUND
I IC30-6	LH REAR CHANNEL LOW LEVEL INPUT	0 - 30 MV	0 MV
I IC30-7	LH FRONT CHANNEL LOW LEVEL INPUT	0 - 30 MV	0 MV

RADIO CASSETTE

Pin	Description	Active	Inactive
O IC1-5	ANTENNA UP / AMPLIFIER ON SIGNAL	B+	GROUND
O IC34-1	RH FRONT CHANNEL LOW LEVEL OUTPUT	0 - 30 MV	0 MV
O IC34-2	LH FRONT CHANNEL LOW LEVEL OUTPUT	0 - 30 MV	0 MV
SG IC34-3	SIGNAL GROUND	GROUND	GROUND
O IC34-4	LH REAR CHANNEL LOW LEVEL OUTPUT	0 - 30 MV	0 MV
O IC34-5	RH REAR CHANNEL LOW LEVEL OUTPUT	0 - 30 MV	0 MV

COMPONENTS

Component	Connector / Type / Color	Location / Access
CD AUTO CHANGER HANDSET	IC5 / 2-WAY ANTENNA / BLACK RT63 / 8-WAY PHONE / BLACK RT67 / 2-WAY MULTILOCK 040 / BLUE	PARCEL SHELF CENTER CONSOLE
MICROPHONE	CA67 / 2-WAY MULTILOCK 040 / BLUE	ROOF CONSOLE
MID-BASS - LH FRONT	DD6 (LHD) (FLY LEAD) / 2-WAY GROTE AND HARTMAN / BLACK PD6 (RHD) (FLY LEAD) / 2-WAY GROTE AND HARTMAN / BLACK	DOOR CASING
MID-BASS - LH REAR	RD6-L (FLY LEAD) / 2-WAY GROTE AND HARTMAN / BLACK	DOOR CASING
MID-BASS - RH FRONT	DD6 (RHD) (FLY LEAD) / 2-WAY GROTE AND HARTMAN / BLACK PD6 (LHD) (FLY LEAD) / 2-WAY GROTE AND HARTMAN / BLACK	DOOR CASING
MID-BASS - RH REAR	RD6-R (FLY LEAD) / 2-WAY GROTE AND HARTMAN / BLACK	DOOR CASING
POWER AMPLIFIER	IC30 / 12-WAY MULTILOCK 070 / WHITE IC31 / 18-WAY MULTILOCK 070 / WHITE	PARCEL SHELF / TRUNK TRIM
RADIO ANTENNA	IC12 / 2-WAY ANTENNA CONNECTOR / BLACK	RH REAR FENDER / TRUNK TRIM
RADIO ANTENNA MOTOR	BT44 / 6-WAY YAZAKI / WHITE	TRUNK, RH SIDE / TRUNK TRIM
RADIO CASSETTE	IC1 / 20-WAY MULTILOCK 070 / WHITE IC13 / 2-WAY ANTENNA CONNECTOR / WHITE IC19 / CD AUTOCHANGER CONNECTOR IC34 / 6-WAY DIN / SLATE	CENTER CONSOLE
SUBWOOFER	IC32 (FLY LEAD) / 2-WAY GROTE AND HARTMAN / BLACK IC33 (FLY LEAD) / 2-WAY GROTE AND HARTMAN / BLACK	PARCEL SHELF / TRUNK TRIM
TELEPHONE ANTENNA	RT65 / ANTENNA CONNECTOR / BLACK	HEADLINER, REAR
TELEPHONE TRANSCEIVER	RT62 / 25-WAY D TYPE / BLACK RT64 / ANTENNA CONNECTOR / BLACK	PARCEL SHELF / TRUNK TRIM
TWEETER - LH FRONT, PREMIUM ICE	CA102 (FLY LEAD) / 2-WAY MULTILOCK 040 / BLACK	FASCIA, LH SIDE
TWEETER - LH REAR, PREMIUM ICE	MB1-L (FLY LEAD) / 2-WAY MODU / BLACK	PARCEL SHELF, LH SIDE
TWEETER - RH FRONT, PREMIUM ICE	CA101 (FLY LEAD) / 2-WAY MULTILOCK 040 / BLACK	FASCIA, RH SIDE
TWEETER - RH REAR, PREMIUM ICE	MB1-R (FLY LEAD) / 2-WAY MODU / BLACK	PARCEL SHELF, RH SIDE

HARNESS-TO-HARNESS CONNECTORS

Connector	Type / Color	Location / Access
BT4	THROUGH-PANEL (48 MICRO / 6) / BLACK	ABOVE FUEL TANK / FUEL TANK TRIM
CA77	2-WAY MULTILOCK 070 / YELLOW	DRIVER'S 'A' POST / 'A' POST PANEL
CA78	2-WAY MULTILOCK 070 / YELLOW	PASSENGER'S 'A' POST / 'A' POST PANEL
CA79	2-WAY MULTILOCK 070 / YELLOW	LH 'BC' POST / 'BC' POST PANEL
CA80	2-WAY MULTILOCK 070 / YELLOW	RH 'BC' POST / 'BC' POST PANEL
IC2	8-WAY MULTILOCK 070 / WHITE	ABOVE FUEL TANK / FUEL TANK TRIM
IC7	8-WAY MULTILOCK 070 / WHITE	PASSENGER'S UNDERSCUTTLE
IC22	18-WAY MULTILOCK 070 / WHITE	RH REAR SEAT / UNDER
IC23	4-WAY MULTILOCK 040 / BLACK	LH HEELBOARD / HEELBOARD COVER
RT61	12-WAY MULTILOCK 040 / BLACK	PARCEL SHELF / UNDER

GROUNDS

Ground	Location / Type
BTG18R	REAR TRUNK GROUND STUD
CAG91	PARCEL SHELF GROUND SCREW
CEG2	RADIO GROUND STUD
ICG16L	FRONT TRUNK GROUND STUD
ICG16R	FRONT TRUNK GROUND STUD
ICG24	RADIO GROUND STUD

CONTROL MODULE PIN OUT INFORMATION (FOLD OUT PAGE)



The following symbols are used to represent values for Control Module Pin Out data:

I Input	B+ Battery voltage
O Output	V Voltage (DC)
SG Signal Ground	Hz Frequency
D Serial and encoded communications	KHz Frequency x 1000
	MS Milliseconds
	MV Millivolts

CAUTION: The information on this data page is furnished to aid the user in understanding circuit operation. THIS INFORMATION SHOULD BE USED FOR REFERENCE ONLY.

NOTE: The values listed are approximately those that can be expected at the control module connector pins with all circuit connections made and all components connected and fitted. "Active" means a load is applied or a switch is ON; "Inactive" means a load is not applied or a switch is OFF.

REFER TO THE FRONT OF THE BOOK FOR ILLUSTRATIONS DETAILING THE LOCATION AND IDENTIFICATION OF COMPONENTS, RELAYS, CONNECTORS, HARNESSSES, GROUNDS, VEHICLE CONTROL MODULES AND CONTROL MODULE PINS.

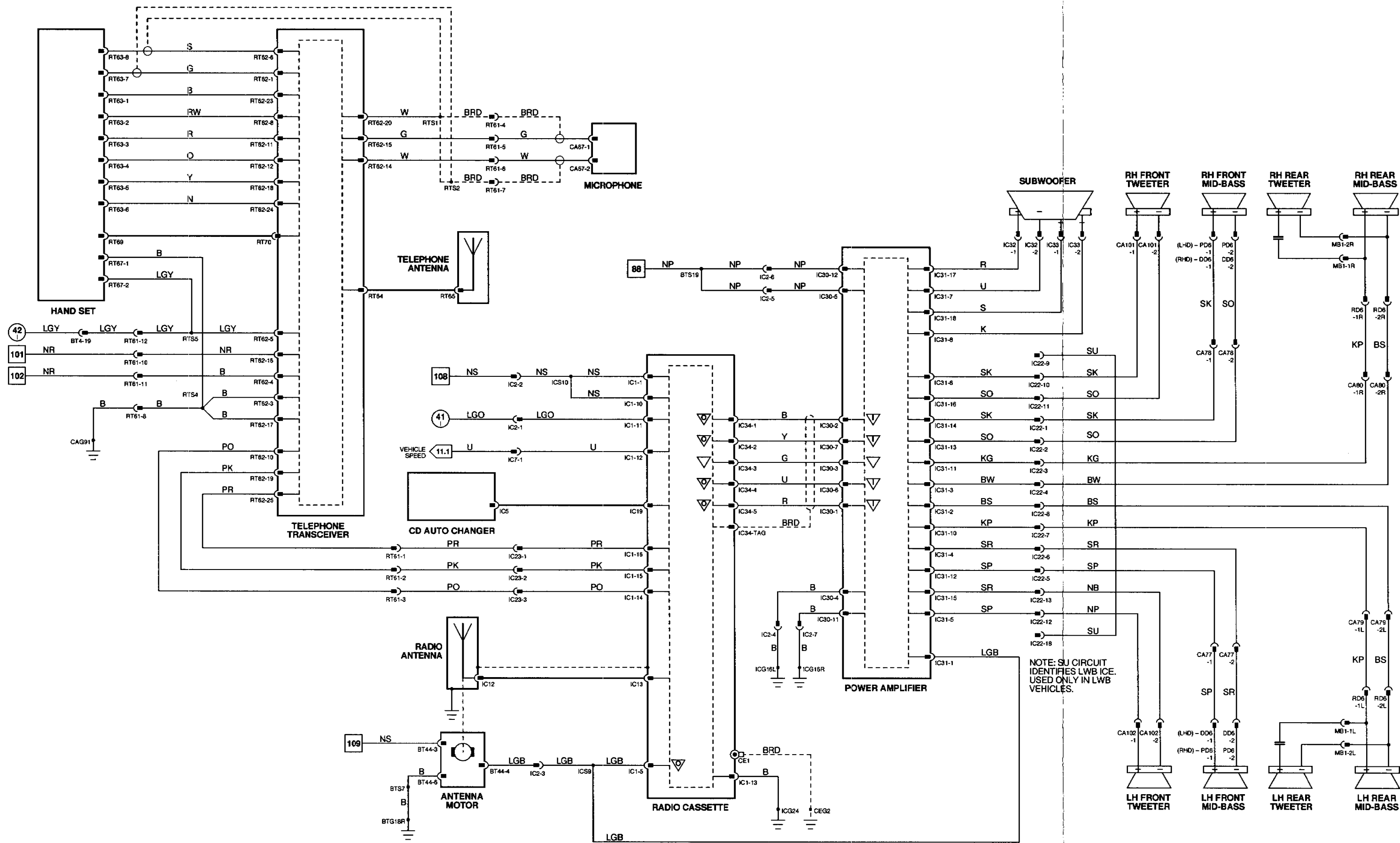


Fig. 19.1**COMPONENTS****Component**

AIR BAG DIAGNOSTIC MONITOR

AIR BAG - DRIVER SIDE

AIR BAG - PASSENGER SIDE

IMPACT SENSOR - LH

IMPACT SENSOR - RH

SARING SENSOR

Connector / Type / Color

AB1 / 12-WAY FORD CARD / SLATE

AB2 / 12-WAY FORD CARD / BLACK

ABS (FLY LEAD) / 3-WAY EPC / YELLOW

ABS (FLY LEAD) / 3-WAY EPC / YELLOW

CL1 / 4-WAY FORD CARD / NATURAL

CR1 / 4-WAY FORD CARD / NATURAL

AB3 / 8-WAY FORD NAAO / NATURAL

Location / Access

PASSENGER'S UNDERSCUTTLE

STEERING WHEEL

PASSENGER'S FASCIA

BEHIND LH HEADLAMP

BEHIND RH HEADLAMP

RH 'A' POST / 'A' POST TRIM

HARNESS-TO-HARNESS CONNECTORS**Connector****Type / Color****Location / Access**

AB7

3-WAY CARDELL / BLACK

COLUMN SWITCHGEAR / BEHIND

AB11

4-WAY CARDELL / NATURAL

RH 'A' POST / 'A' POST PANEL

AB12

4-WAY CARDELL / NATURAL

LH 'A' POST / 'A' POST PANEL

CA25

3-WAY MULTILOCK 070 / YELLOW

RH 'A' POST, ECM / 'A' POST PANEL

FC6

THROUGH-PANEL (48 MICRO / 6) / BLACK

RH FASCIA END PANEL / OUTER AIR VENT

GROUNDS**Ground****Location / Type**

CLG2

AIR BAG GROUND SCREW

REFER TO THE FRONT OF THE BOOK FOR ILLUSTRATIONS DETAILING THE LOCATION AND IDENTIFICATION OF COMPONENTS, RELAYS, CONNECTORS, HARNESSSES, GROUNDS, VEHICLE CONTROL MODULES AND CONTROL MODULE PINS.

DATE OF ISSUE: NOVEMBER 1995

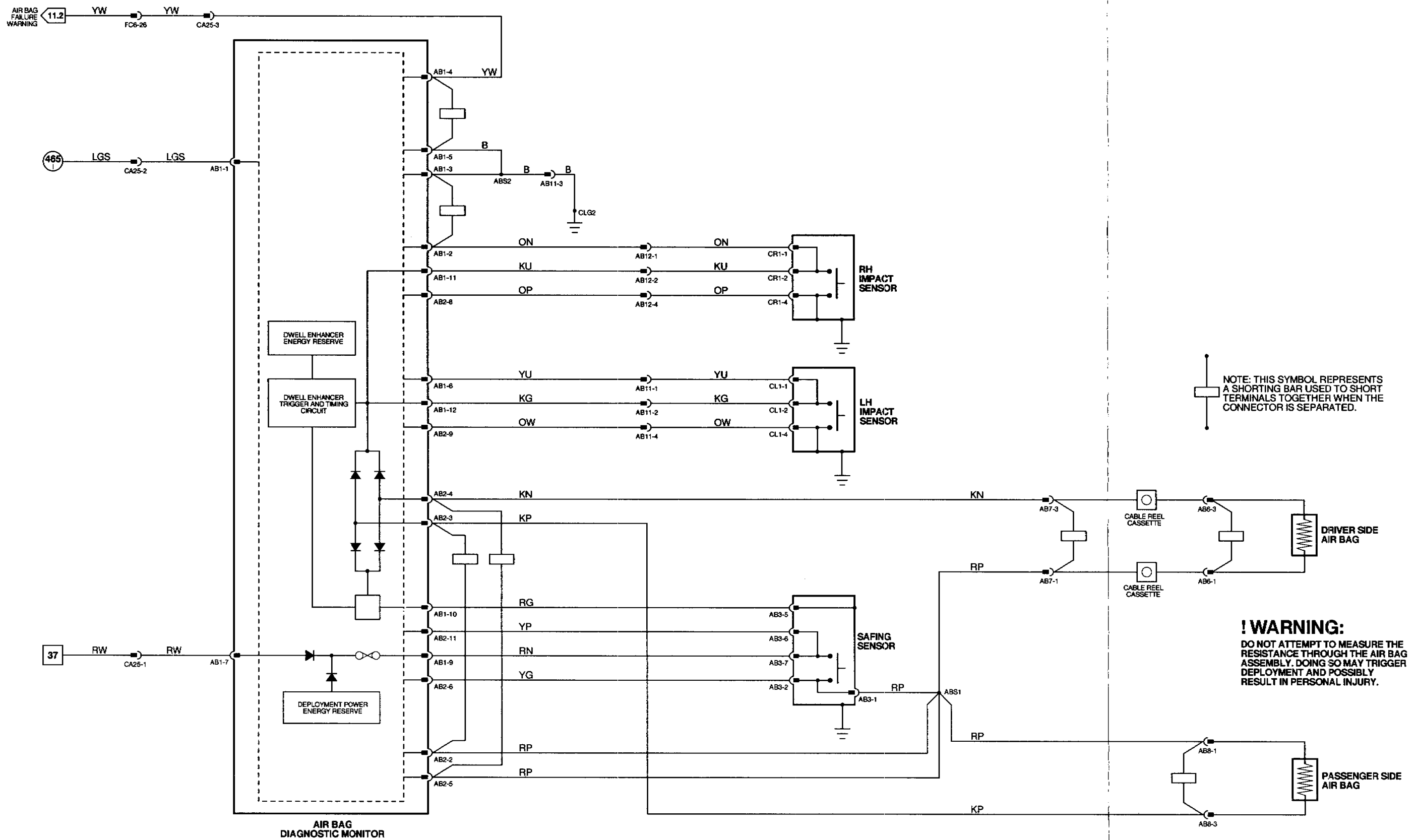


Fig. 20.1

COMPONENTS

Component	Connector / Type / Color	Location / Access
ACCESSORY CONNECTOR - CABIN	CA71 / 3-WAY SERIES 250 / BLACK	SWB: LH 'A' POST / 'A' POST TRIM LWB: RH HEELBOARD
ACCESSORY CONNECTOR - TRUNK	BT12 / 3-WAY SERIES 250 / BLACK	TRUNK ELECTRICAL CARRIER
CARAVAN / TRAILER CONNECTOR	BT19 / 2-WAY ECONOSEAL III HC / BLACK	BEHIND BATTERY / TRUNK FLOOR TRIM
CIGAR LIGHTER - FRONT	CC9 / 2-WAY SERIES 250 / BLACK CC10 / LUCAR / BLACK	CENTER CONSOLE
CIGAR LIGHTER - REAR	CC16 / 2-WAY SERIES 250 / BLACK CC17 / LUCAR / BLACK	CENTER CONSOLE
ELECTROCHROMIC REAR VIEW MIRROR	CAB5 / 3-WAY MULTILOCK 070 / WHITE	ROOF CONSOLE
FOLD-BACK MIRROR SWITCH	FM1 / 7-WAY FORD / BLACK	DRIVER'S DOOR SWITCH PACK / TOP ROLL, ARM REST
FOLD-BACK MIRROR - DRIVER	DD10 / (FLY LEAD) / 12-WAY MULTILOCK 040 / BLACK	MIRROR ASSEMBLY
FOLD-BACK MIRROR - PASSENGER	PD10 / (FLY LEAD) / 12-WAY MULTILOCK 040 / BLACK	MIRROR ASSEMBLY
HORN SWITCHES	SC9 / 2-WAY MULTILOCK 040 / BLACK	STEERING WHEEL
HORN - LH	LS43 / LUCAR / BLACK LS44 / LUCAR / BLACK	BEHIND FRONT GRILLE
HORN - RH	RS43 / LUCAR / BLACK RS44 / LUCAR / BLACK	BEHIND FRONT GRILLE
FUSE BOX - LH ENGINE BAY	LS1 / 10-WAY UTA / BLACK LS37 / 10-WAY UTA / BLACK	ENGINE BAY, LH FRONT
UNIVERSAL GARAGE DOOR OPENER (INTERIOR MAP LAMP CONSOLE)	RIBBON CONNECTOR	ROOF CONSOLE

RELAYS

Relay	Color / Stripe	Connector / Color	Location / Access
ACCESSORY RELAY	BLACK / VIOLET	BT7 / BLACK	TRUNK ELECTRICAL CARRIER
CIGAR LIGHTER RELAY	BLACK / BLUE	CA57 / BLUE	RH HEELBOARD
HORN RELAY (LH ENGINE BAY FUSE BOX)	BLUE	— / BLACK	LH ENGINE BAY FUSE BOX

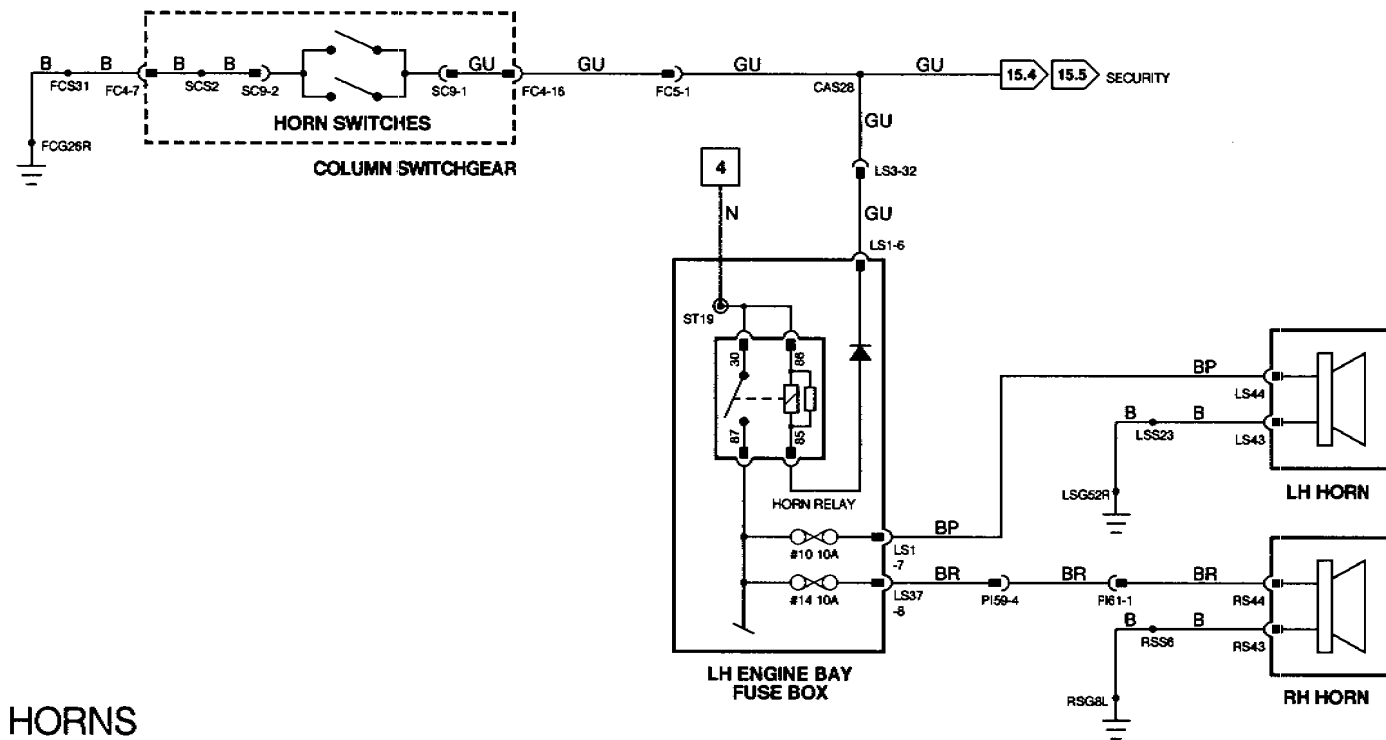
HARNESSTO-HARNESSTO CONNECTORS

Connector	Type / Color	Location / Access
BT4	THROUGH-PANEL (48 MICRO / 6) / BLACK	ABOVE FUEL TANK / FUEL TANK TRIM
CAB	20-WAY MULTILOCK 040 / GREEN	DRIVER'S 'A' POST / 'A' POST TRIM
CA9	20-WAY MULTILOCK 040 / BLACK	DRIVER'S 'A' POST / 'A' POST TRIM
CA10	8-WAY MULTILOCK 070 / WHITE	DRIVER'S 'A' POST / 'A' POST TRIM
CA11	20-WAY MULTILOCK 040 / BLACK	PASSENGER'S UNDERSCUTTLE / ECM
CA12	15-WAY MULTILOCK 070 / WHITE	PASSENGER'S UNDERSCUTTLE / ECM
CA83	8-WAY MULTILOCK 040 / BLACK	ROOF CONSOLE
CC4	14-WAY MULTILOCK 070 / WHITE	CENTER CONSOLE / CENTER CONSOLE GLOVE BOX
DD18	6-WAY MULTILOCK 040 / BLACK	DRIVER'S DOOR / DOOR CASING
FC4	20-WAY MULTILOCK 040 / BLUE	DRIVER'S UNDERSCUTTLE
FC5	THROUGH-PANEL (48 MICRO / 6) / BLACK	LH FASCIA END PANEL / OUTER AIR VENT
LS3	THROUGH-PANEL (48 MICRO / 6) / BLACK	LH 'A' POST / 'A' POST PANEL
PI59	13-WAY ECONOSEAL III LC / BLACK	FORWARD OF LH ENGINE BAY FUSE BOX
PI81	13-WAY ECONOSEAL III LC / BLACK	REARWARD OF RH HEADLAMP

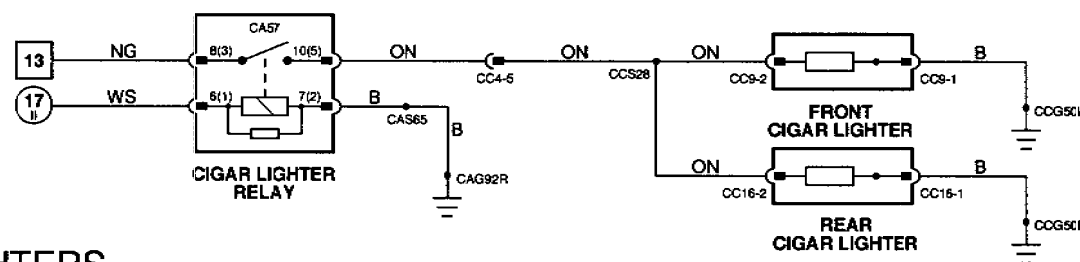
GROUNDS

Ground	Location / Type
BTG18L	REAR TRUNK GROUND STUD
BTG18R	REAR TRUNK GROUND STUD
BTG49R	REAR TRUNK GROUND STUD
CAG30L	LH 'A' POST GROUND SCREW
CAG30R	LH 'A' POST GROUND SCREW
CAG31R	PARCEL SHELF GROUND SCREW
CAG33L	RH HEELBOARD GROUND SCREW
CAG92R	RH HEELBOARD GROUND SCREW
CCG50L	CENTER CONSOLE GROUND
CCG50R	CENTER CONSOLE GROUND
FCG26R	LH CONSOLE GROUND STUD
RSG8L	RIGHT FORWARD GROUND STUD

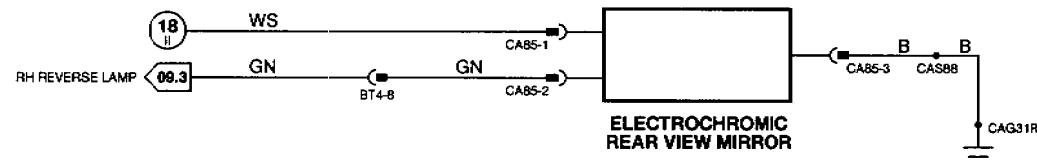
REFER TO THE FRONT OF THE BOOK FOR ILLUSTRATIONS DETAILING THE LOCATION AND IDENTIFICATION OF COMPONENTS, RELAYS, CONNECTORS, HARNESSES, GROUNDS, VEHICLE CONTROL MODULES AND CONTROL MODULE PINS.



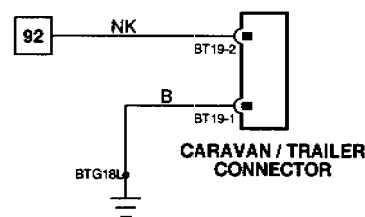
HORNS



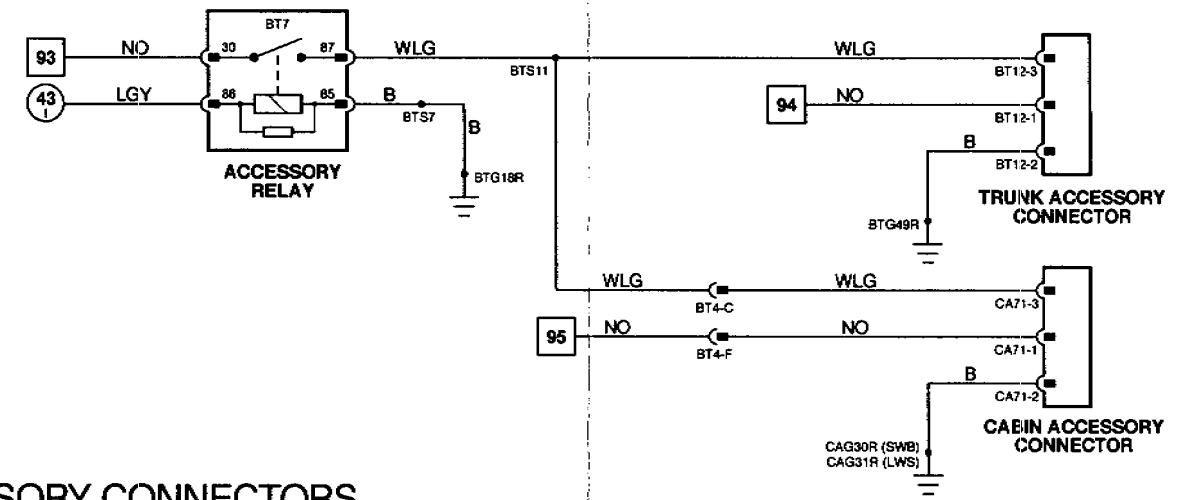
CIGAR LIGHTERS



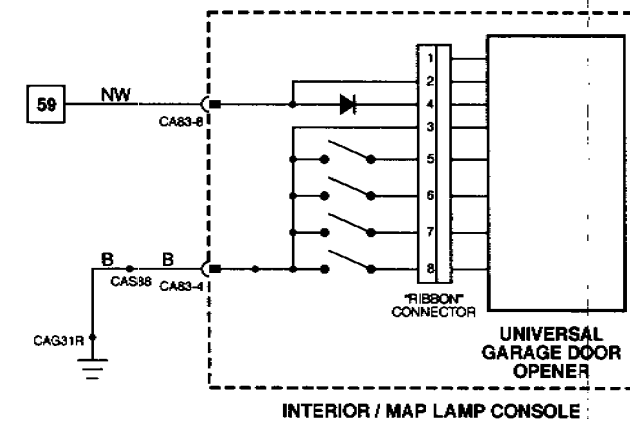
ELECTROCHROMIC REAR VIEW MIRROR



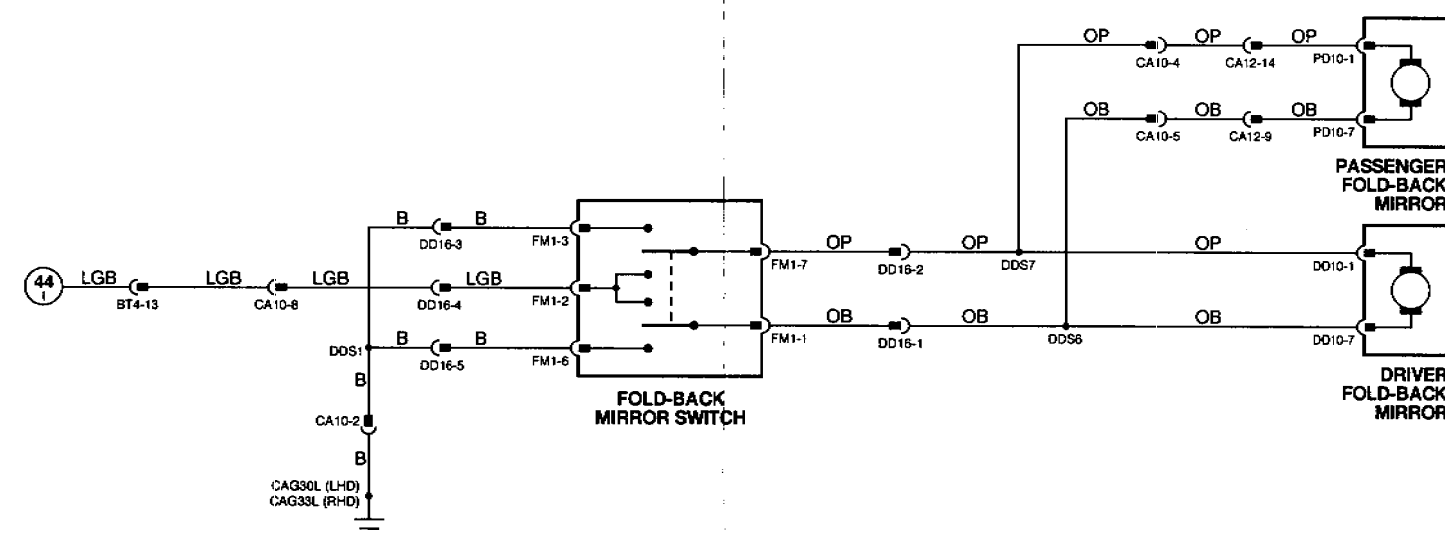
CARAVAN / TRAILER CONNECTOR



ACCESSORY CONNECTORS



UNIVERSAL GARAGE DOOR OPENER



FOLD-BACK MIRRORS

Fig. 21.1

COMPONENTS

Component	Connector / Type / Color	Location / Access
ABS / TRACTION CONTROL CONTROL MODULE (LHD)	RS27 / 28-WAY FORD GTE / SLATE	ENGINE BAY / RH REAR
ABS / TRACTION CONTROL CONTROL MODULE (RHD)	LS27 / 28-WAY FORD GTE / SLATE	ENGINE BAY / LH REAR
AIR CONDITIONING CONTROL MODULE	CC28 / 28-WAY MULTILOCK 47 / SLATE CC29 / 16-WAY MULTILOCK 47 / SLATE CC30 / 12-WAY MULTILOCK 47 / SLATE CC31 / 22-WAY MULTILOCK 47 / SLATE	A/C UNIT, RH SIDE / RH UNDERSCUTTLE
BODY PROCESSOR MODULE	FC1 / 48-WAY PCB SIGNAL / YELLOW FC2 / 48-WAY PCB SIGNAL / BLACK FC3 / 8-WAY PCB SIGNAL / BLACK	PASSENGER'S UNDERSCUTTLE
COLUMN / MIRROR MOVEMENT CONTROL MODULE	FC45 / 26-WAY MULTILOCK 47 / SLATE FC46 / 16-WAY MULTILOCK 47 / SLATE FC47 / 12-WAY MULTILOCK 47 / SLATE	RH UNDERSCUTTLE
DATA LINK CONNECTOR	CC6 / 16-WAY OBD II / SLATE	DRIVER'S 'A' POST
ENGINE CONTROL MODULE (AJ16)	P104 / 36-WAY ECONOSEAL III / BLACK P105 / 38-WAY ECONOSEAL III / RED	RH 'A' POST / 'A' POST TRIM
ENGINE CONTROL MODULE (V12)	PI44 / 28-WAY MULTILOCK 040 / SLATE PI45 / 16-WAY MULTILOCK 040 / SLATE PI46 / 22-WAY MULTILOCK 040 / SLATE PI47 / 34-WAY MULTILOCK 040 / SLATE	RH 'A' POST / 'A' POST TRIM
INSTRUMENT PACK	FC9 / 24-WAY IDC / BLACK FC10 / 48-WAY IDC / BLACK	INSTRUMENT PACK
SEAT CONTROL MODULE - DRIVER (NAS VEHICLES)	CA105 / 22-WAY MULTILOCK 47 / BLUE CA108 / 12-WAY MULTILOCK 47 / BLUE SM1-D / 12-WAY MULTILOCK 47 / BLUE SM6-D / 22-WAY MULTILOCK 47 / WHITE	DRIVER'S SEAT
SEAT CONTROL MODULE - DRIVER (ROW, MEMORY SEAT VEHICLES)	PL1 / 22-WAY MULTILOCK 47 / BLUE PL2 / 12-WAY MULTILOCK 47 / BLUE SM1-D / 12-WAY MULTILOCK 47 / BLUE SM6-D / 16-WAY MULTILOCK 040 / BLACK	DRIVER'S SEAT
SEAT CONTROL MODULE - PASSENGER (NAS VEHICLES)	CA107 / 22-WAY MULTILOCK 47 / BLUE CA108 / 12-WAY MULTILOCK 47 / BLUE SM1-P / 12-WAY MULTILOCK 47 / WHITE SM8-P / 22-WAY MULTILOCK 47 / WHITE	PASSENGER'S SEAT
SEAT CONTROL MODULE - PASSENGER (ROW, MEMORY SEAT VEHICLES)	PL1 / 22-WAY MULTILOCK 47 / BLUE PL2 / 12-WAY MULTILOCK 47 / BLUE SM1-P / 12-WAY MULTILOCK 47 / WHITE SM8-P / 22-WAY MULTILOCK 47 / WHITE	PASSENGER'S SEAT
SECURITY AND LOCKING CONTROL MODULE	CA18 / 12-WAY MULTILOCK 47 / SLATE CA19 / 22-WAY MULTILOCK 47 / SLATE CA20 / 16-WAY MULTILOCK 47 / SLATE CA21 / 26-WAY MULTILOCK 47 / SLATE	TRUNK, LH FRONT / TRUNK TRIM
TRANSMISSION CONTROL MODULE (AJ16)	CC7 / 55-WAY BOSCH / BLACK	PASSENGER'S UNDERSCUTTLE
TRANSMISSION CONTROL MODULE (V12)	CC48 / 55-WAY AMP 55 / BLACK	PASSENGER'S UNDERSCUTTLE

HARNESS-TO-HARNESS CONNECTORS

Connector	Type / Color	Location / Access
CA23	20-WAY MULTILOCK 040 / BLACK	DRIVER'S SEAT / UNDER
CA28	20-WAY MULTILOCK 040 / BLACK	PASSENGER'S SEAT / UNDER
CC18	20-WAY MULTILOCK 040 / BLUE	CENTER CONSOLE / CENTER CONSOLE GLOVE BOX
CC3	20-WAY MULTILOCK 040 / BLACK	CENTER CONSOLE / CENTER CONSOLE GLOVE BOX
FC7	THROUGH-PANEL (48 MICRO / 6) / BLACK	PASSENGER'S UNDERSCUTTLE
LS3	THROUGH-PANEL (48 MICRO / 6) / BLACK	LH 'A' POST / 'A' POST PANEL
PI59	13-WAY ECONOSEAL III LC / BLACK	FORWARD OF LH ENGINE BAY FUSE BOX
RS3	THROUGH-PANEL (48 MICRO / 6) / BROWN	RH 'A' POST / 'A' POST PANEL

GROUNDS

Ground	Location / Type
CCG51L	CENTER CONSOLE GROUND STUD

REFER TO THE FRONT OF THE BOOK FOR ILLUSTRATIONS DETAILING THE LOCATION AND IDENTIFICATION OF COMPONENTS, RELAYS, CONNECTORS, HARNESSES, GROUNDS, VEHICLE CONTROL MODULES AND CONTROL MODULE PINS.

