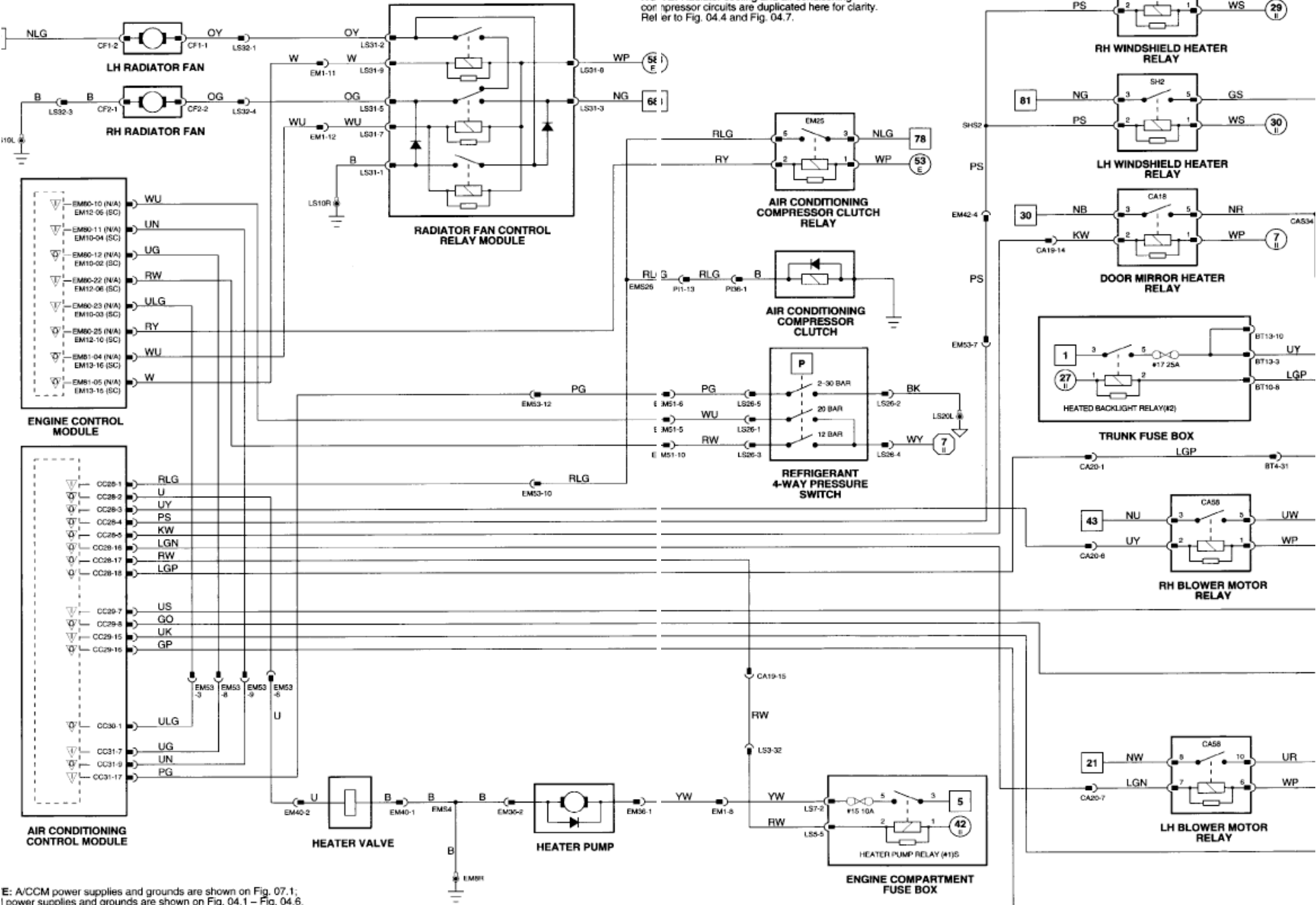


NOTE: Radiator cooling and air conditioning compressor circuits are duplicated here for clarity. Refer to Fig. 04.4 and Fig. 04.7.



E: A/CCM power supplies and grounds are shown on Fig. 07.1.
 I power supplies and grounds are shown on Fig. 04.1 - Fig. 04.8.