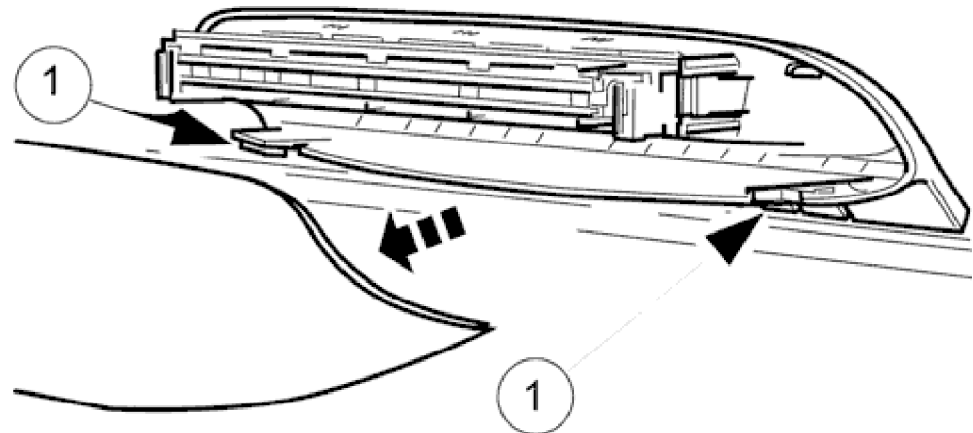


# 2001 XJ RANGE - Exterior Lighting - 417-01

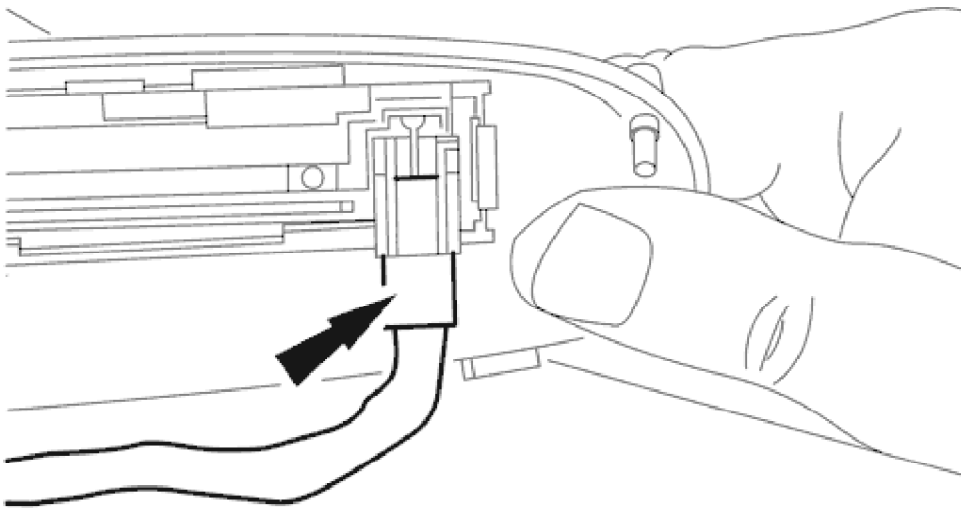
## High Mounted Stoplamp 86.41.01

### Removal



E33329

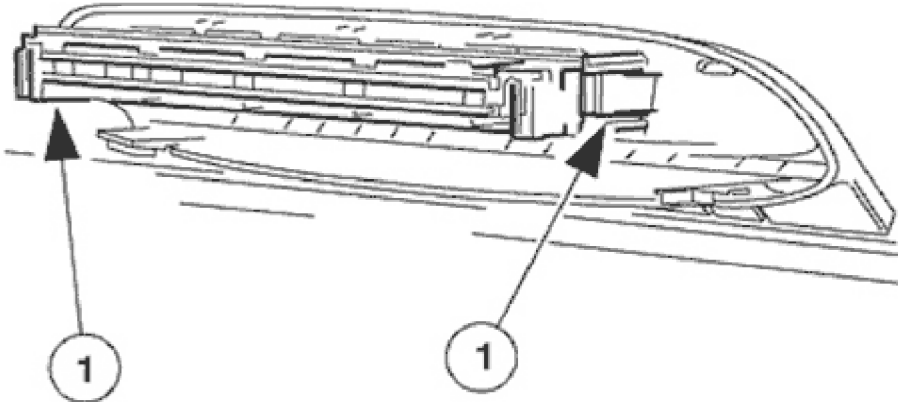
- 1. Remove lamp cover.
- 1. Depress two tangs at base of lamp carrier and withdraw cover.



E35433

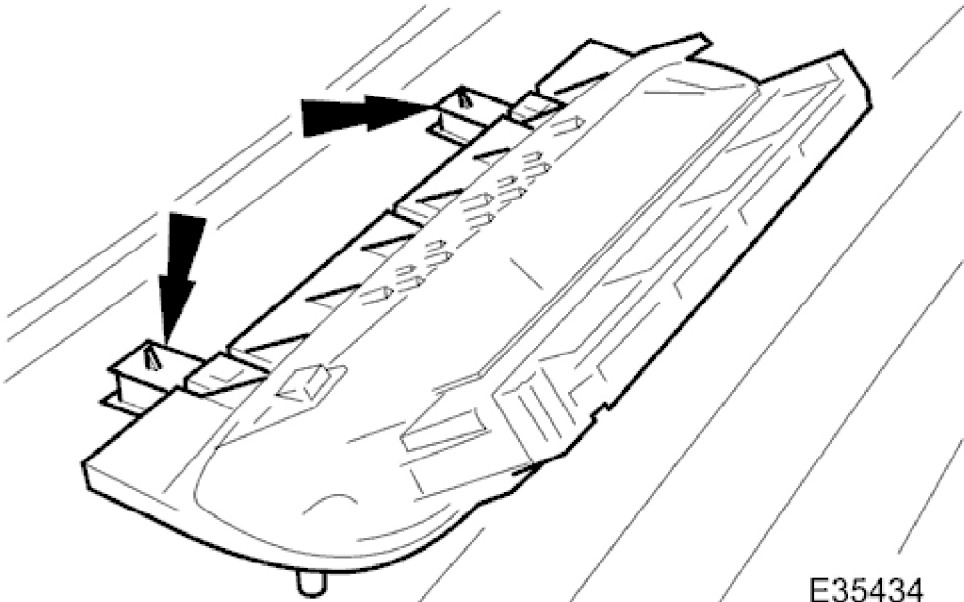
- 2. Disconnect lamp harness connector.

# 2001 XJ RANGE - Exterior Lighting - 417-01



E33330

- 3. Remove module.
  - 1. Release spring clips at each end of lamp lens module and withdraw module from carrier.

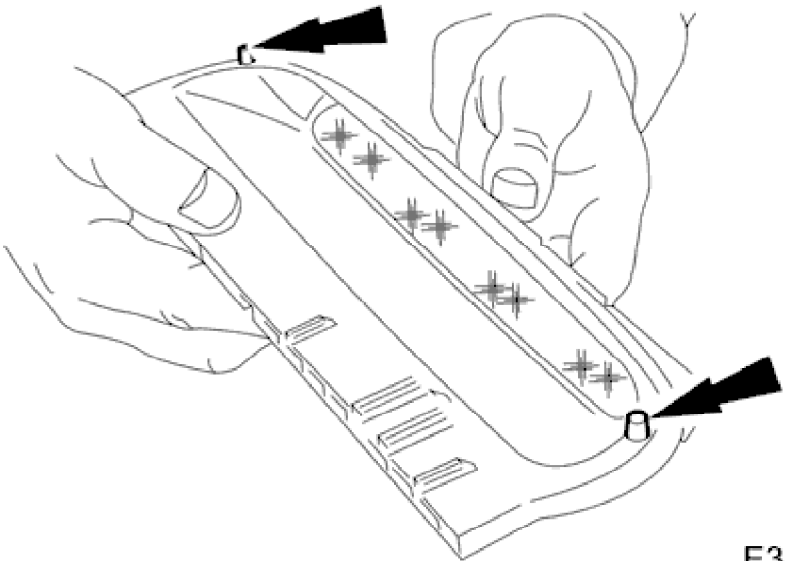


E35434

- 4. Remove lamp carrier.
  - Release lamp carrier lower securing tangs.
  - Slide carrier upwards to release and remove carrier from backlight.

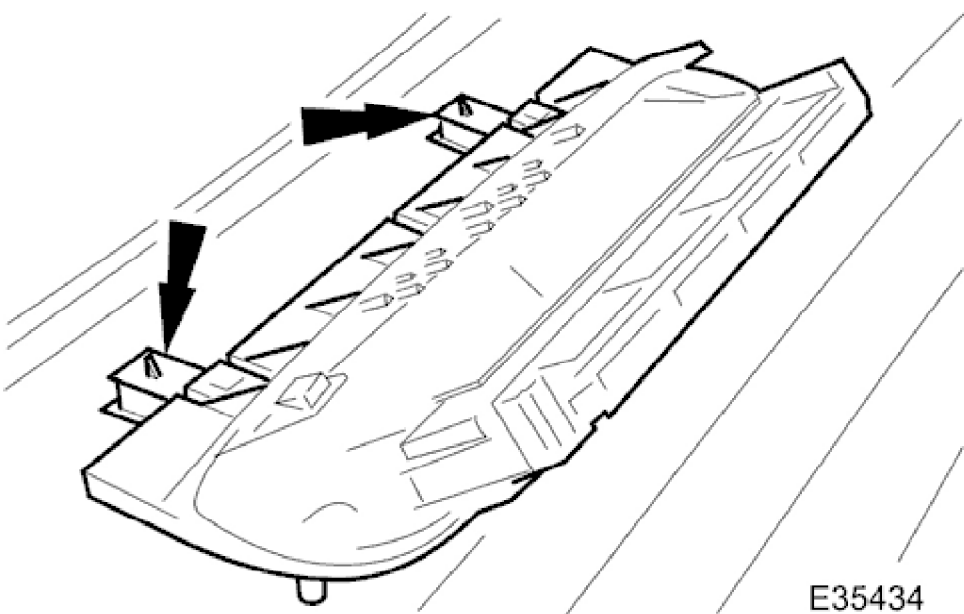
## Installation

**2001 XJ RANGE - Exterior Lighting - 417-01**



**E35435**

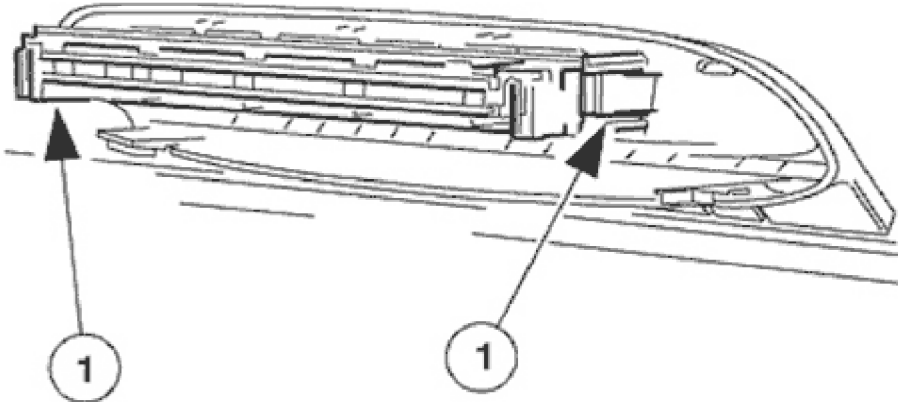
1. Ensure that rubber insulating pads are installed on lamp carrier.



**E35434**

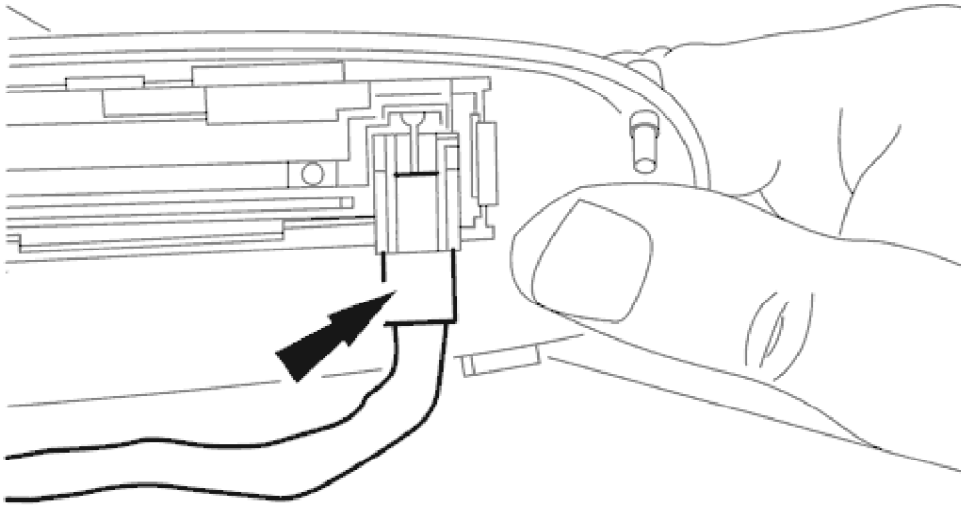
2. Install lamp carrier on backlight mountings, ensuring retaining tangs seat correctly.

**2001 XJ RANGE - Exterior Lighting - 417-01**



**E33330**

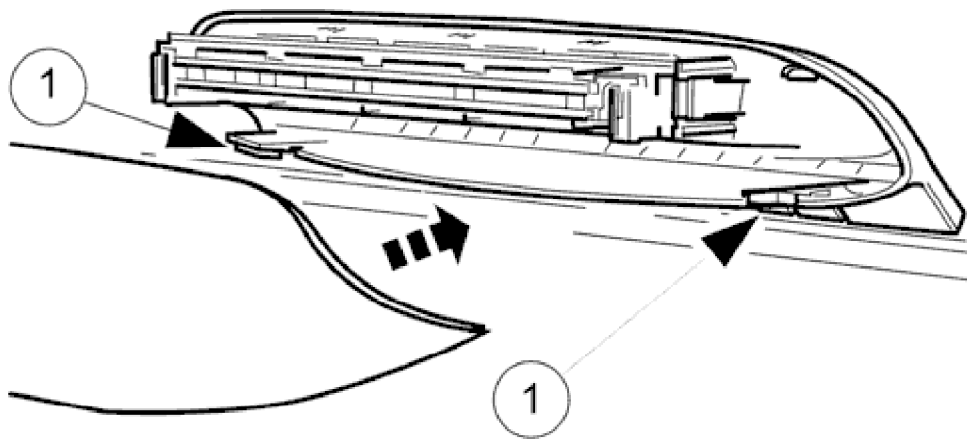
- 3. Install lamp module.
  - 1. Slide lamp module into carrier ensuring retaining clips seat correctly.



**E35433**

- 4. Connect harness connector to lamp assembly.

2001 XJ RANGE - Exterior Lighting - 417-01



E34389

5. Install cover on lamp ensuring tangs locate correctly in carrier.