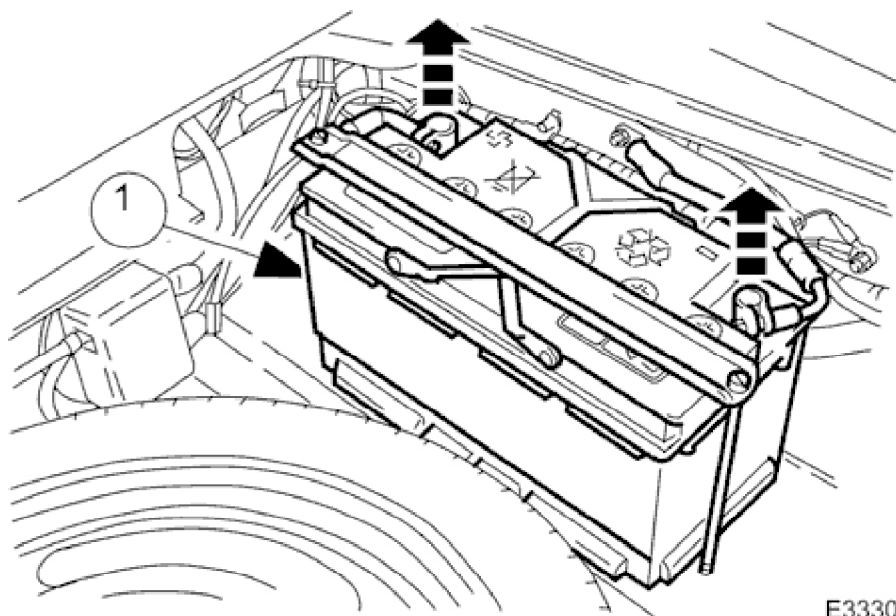


2001 XJ RANGE - Battery, Mounting and Cables - 414-01

Battery 86.15.01

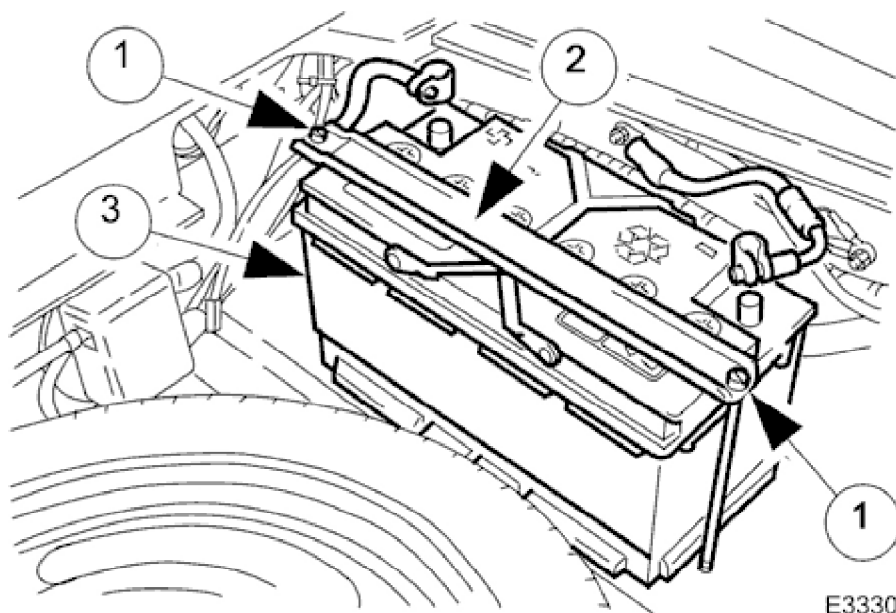
Removal

1. Remove the luggage compartment floor panel (when standard size spare wheel is supplied) and the cover from the battery.



E33301

2. Disconnect the battery cables.
- Disconnect the ground cable.
 - Disconnect the positive cable.
1. Disconnect the vent pipe.



E33302

2001 XJ RANGE - Battery, Mounting and Cables - 414-01

3. Remove the battery.
 1. Remove the two bolts which secure the battery clamp.
 2. Remove the clamp.
 3. Remove the battery.

Installation

1. Installation is the reverse of removal.
2. Perform the Battery Reconnection Procedure described in this section.