

# 2003 XJ RANGE - Fuel Tank and Lines - 310-01

## Fuel Level Sensor 88.25.32

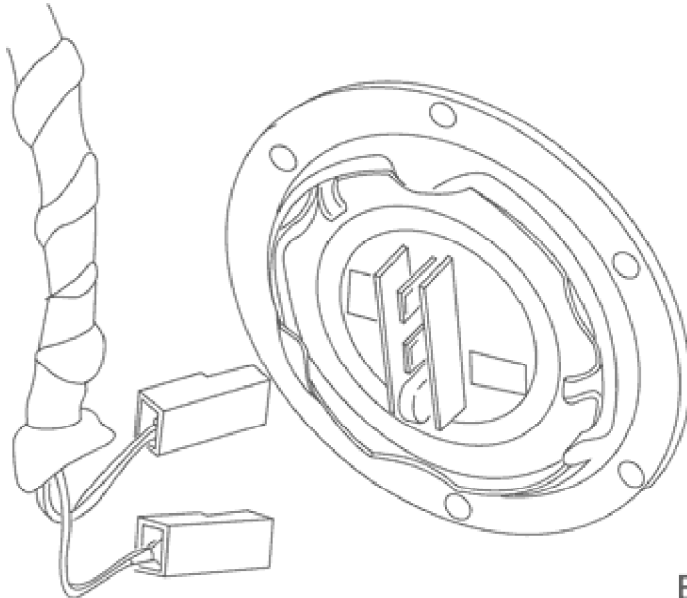
### Removal

1.  **WARNING:**  
**BEFORE PROCEEDING, IT IS ESSENTIAL THAT THE WARNING NOTES GIVEN IN SECTION <<100-00>> (UNDER THE HEADING 'SAFETY PRECAUTIONS') ARE READ AND UNDERSTOOD.**

Remove the battery. For additional information, refer to <<414-01>>.

2. Drain the fuel tank using a suitable suction pump/tanker. If the On-board Refueling Vapour Recovery (ORVR) system is fitted, refer to <<310-00>>.

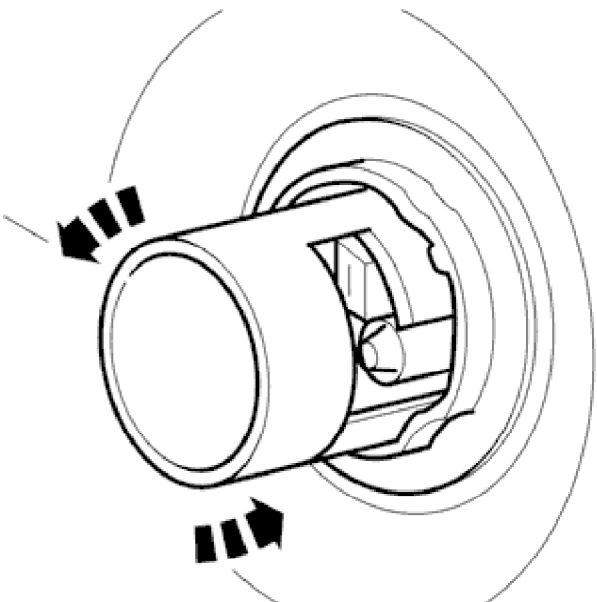
3. Remove the trunk front liner. For additional information, refer to <<501-05>>.



E35293

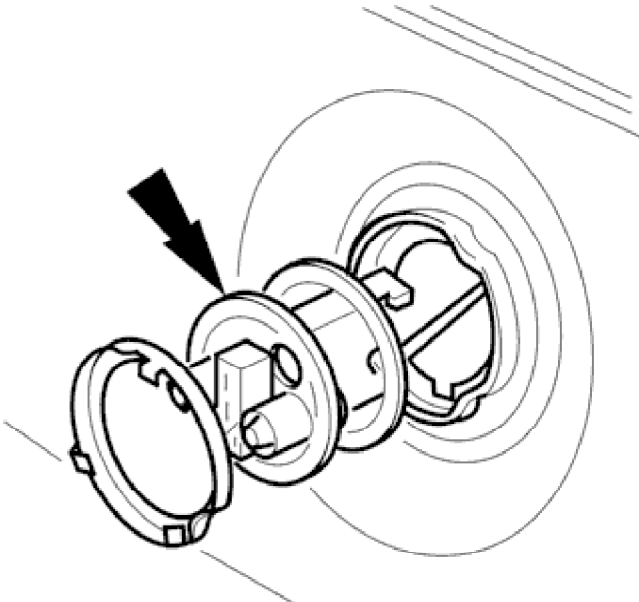
4. Disconnect the harness connections to the sensor.

# 2003 XJ RANGE - Fuel Tank and Lines - 310-01



E35297

5. Using special tool 18G 1001, remove the sensor retaining ring.



E35299

6. Remove the sensor assembly and discard the seal.

## Installation

1. Fitting a new level sensor is the reverse of the removal procedure, noting that a new seal must be fitted.