

TFT Characteristic

- P, N (reed switch open) nominal 20 k.
- R, D, 4, 3, 2 nominal range 0.5 . 2.5 kohms

Dual Linear Switch

The digital dual linear switch, mounted on the right hand side of the J-gate assembly, is operated by the gear selector lever. Selection of a particular gear generates a 4 bit binary coded signal, which is transmitted directly to the TCM over a four wire parallel interface. The switch functions in the PRND ranges and in Manual 4, 3, 2 ranges, hence the term dual linear switch. The dual linear switch eliminates the need for a D – 4 switch.

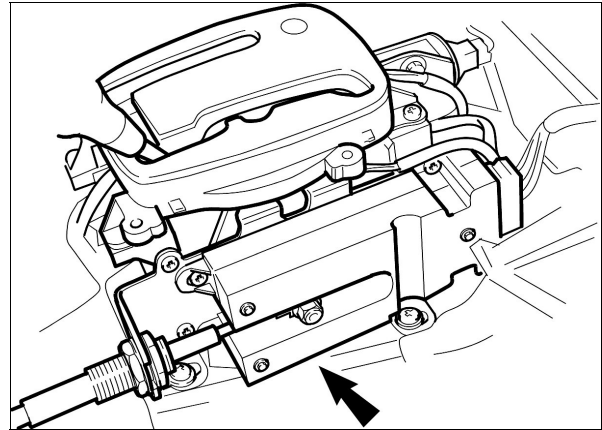


Fig. 105 Dual linear switch

WDS Datalogger readings for the dual linear switch will show as follows:

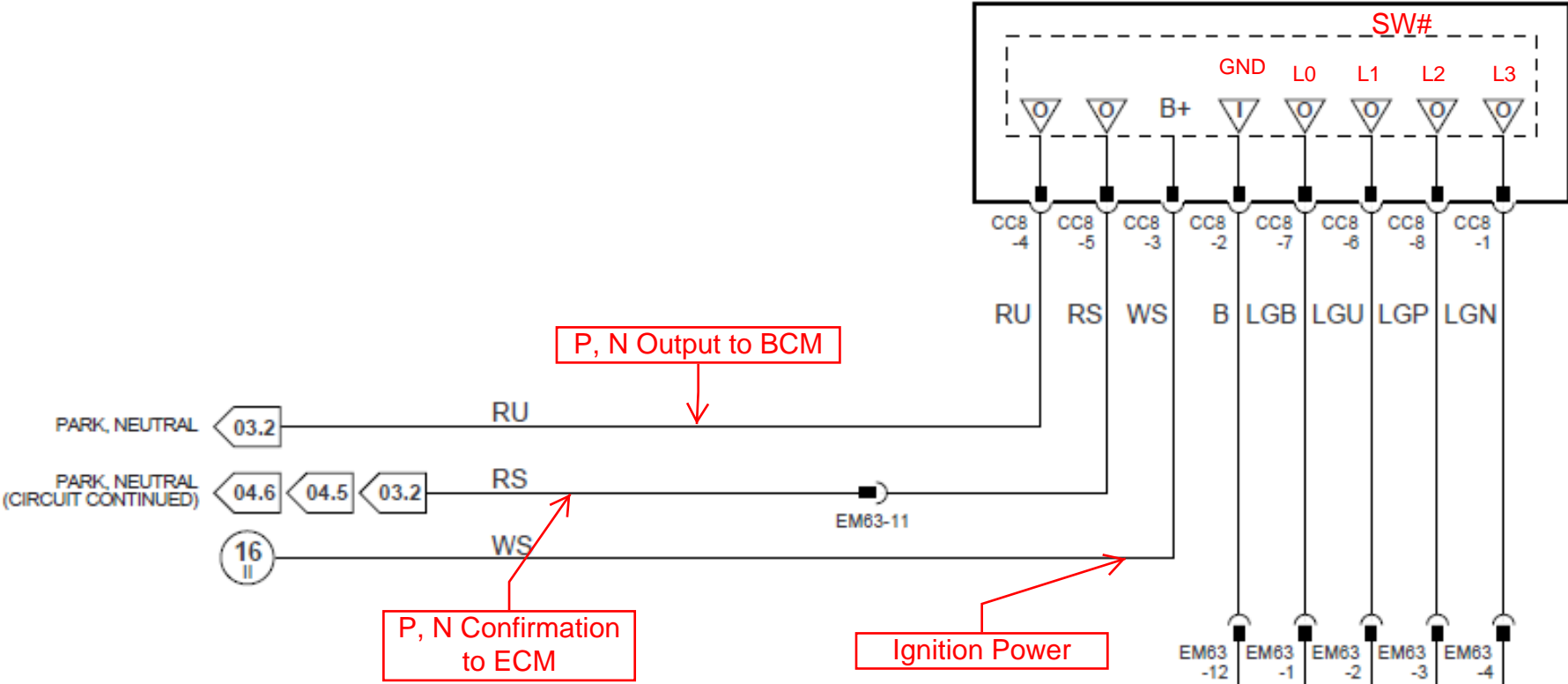
Table 15

RANGE	SWL0	SWL1	SWL2	SWL3
P	1	1	1	0
R	0	1	1	1
N	1	0	1	1
D	0	0	1	0
4	0	0	0	1
3	0	1	0	0
2	1	0	0	0

0 = Closed / low voltage — *meaning grounded through connector CC8 pin 2

1 = Open / high voltage

DUAL LINEAR SWITCH



* NOTE: Programming circuit – early production vehicles only.

