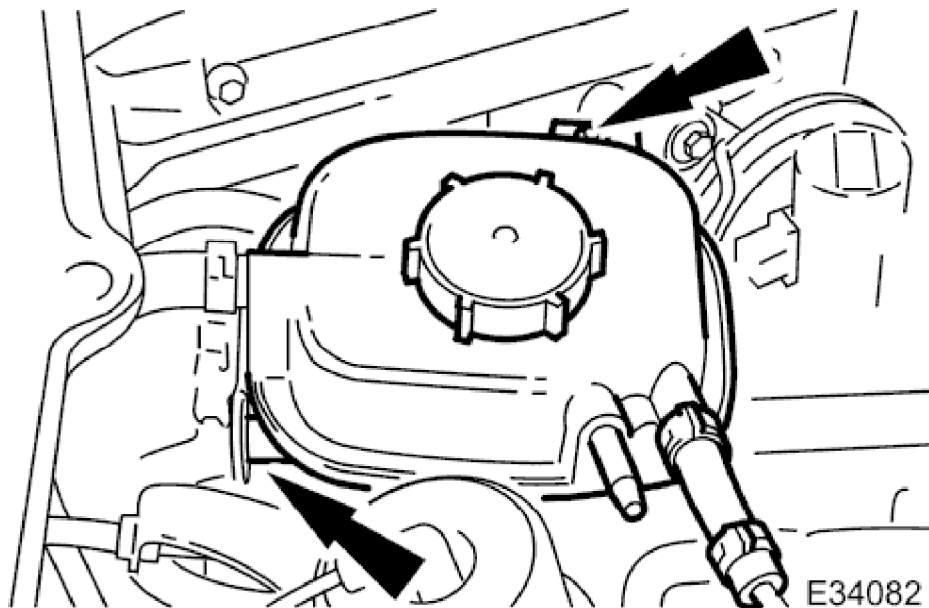


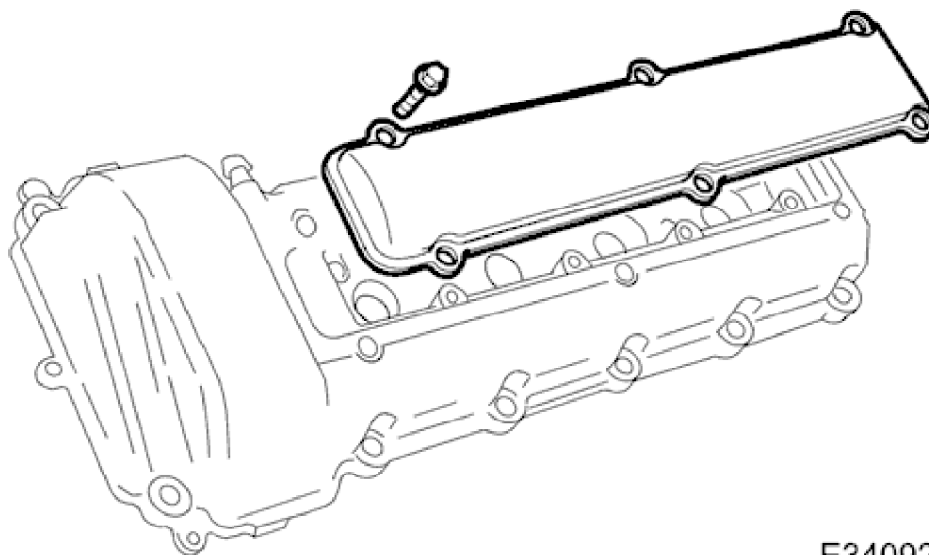
Ignition Coil-On-Plug LH 18.20.44

Removal

1. Disconnect battery ground cable (IMPORTANT, see SRO <<86.15.19>> for further information).

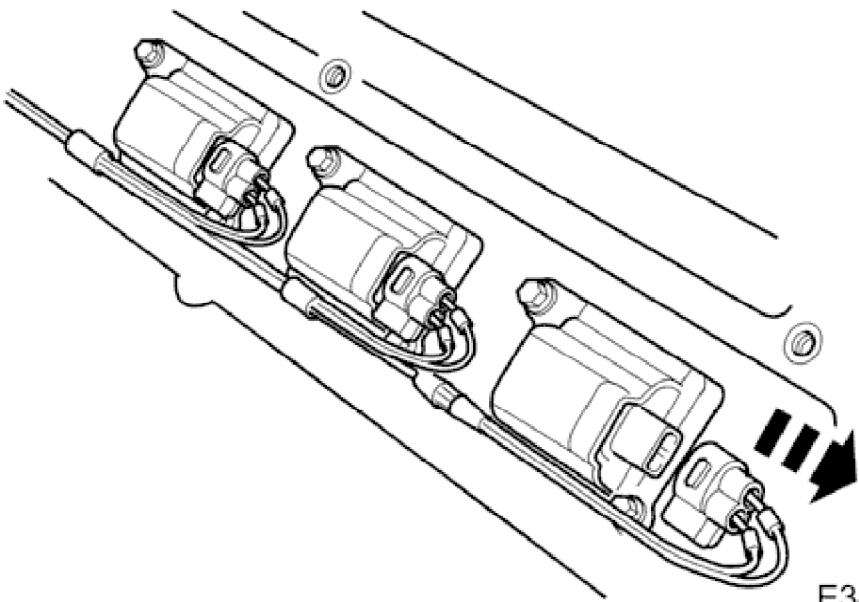


2. Remove the coolant expansion tank for access.
 - Remove screw.
 - Position tank aside and secure with suitable tie.

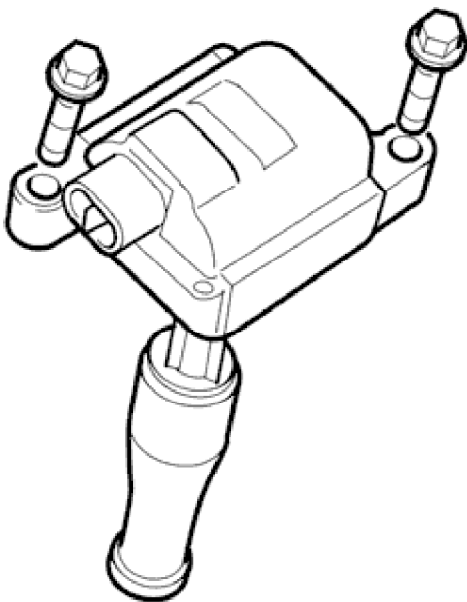


3. Remove coil on-plug cover.
 - Remove six bolts.
 - Remove cover.
 - Clean mating faces.

1998 XJ RANGE - Engine Ignition - 303-07



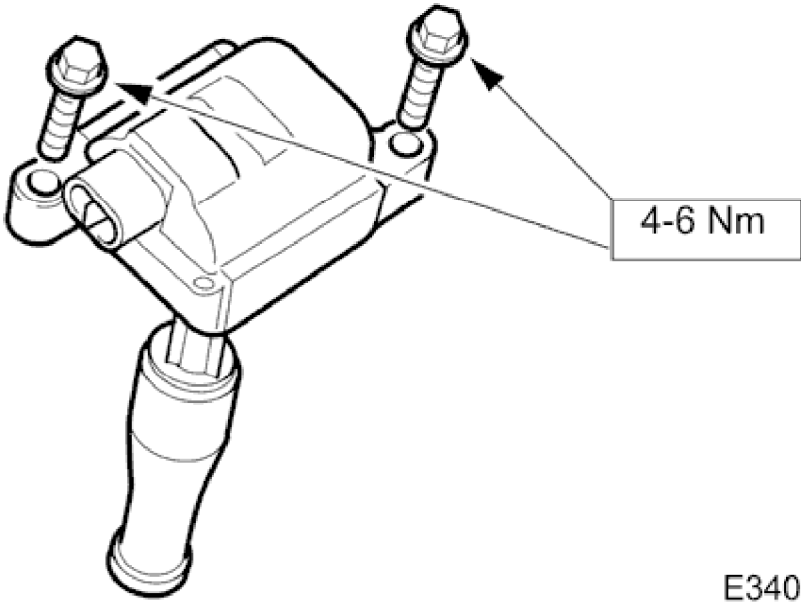
4. Detach harness from retaining clips as necessary and disconnect relevant coil connector.



5. Remove relevant ignition coil.
• Remove bolts.
• Remove coil.

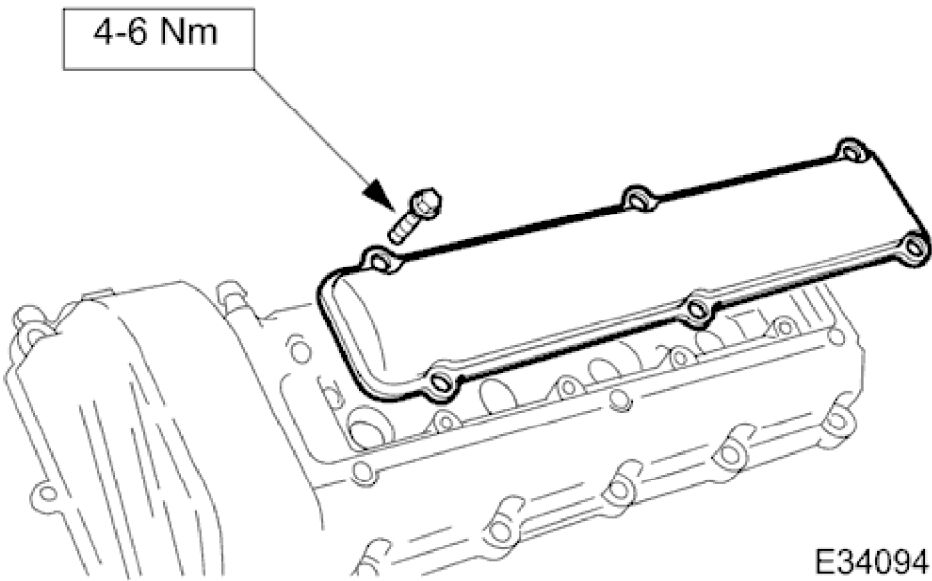
Installation

1998 XJ RANGE - Engine Ignition - 303-07



E34090

1. Installation is a reversal of the removal procedure.



E34094