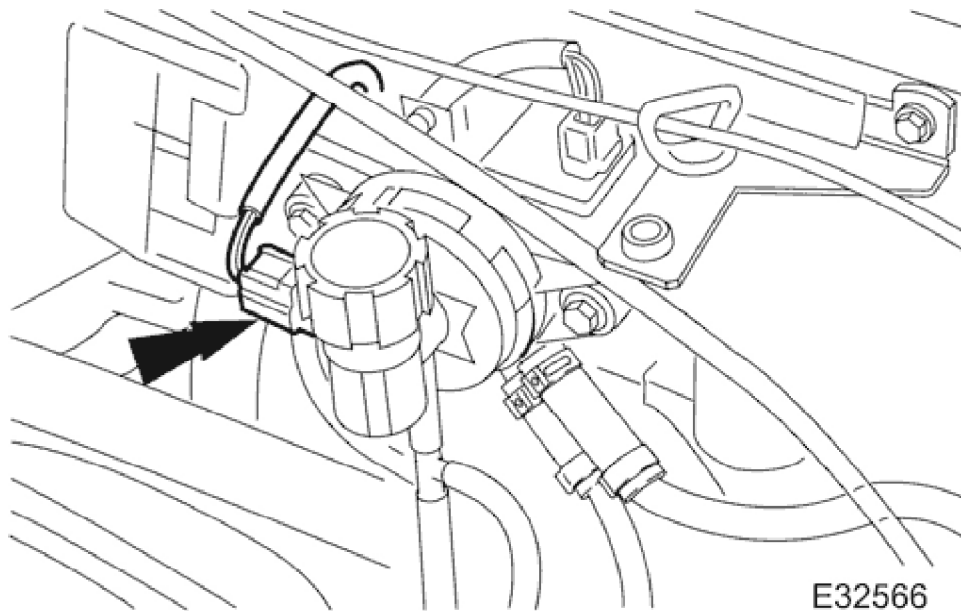


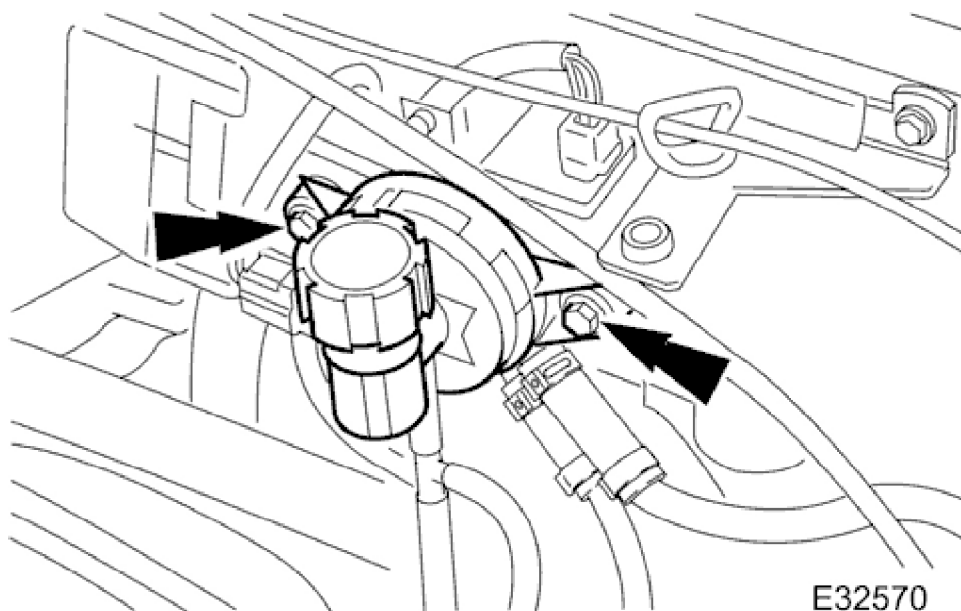
## Evaporative Emission Canister Purge Valve 17.15.30

### Removal

1. Open the engine compartment and fit paintwork protection sheets.
2. Disconnect the battery.
  - Remove the battery cover.
  - Disconnect the battery ground (negative) cable.

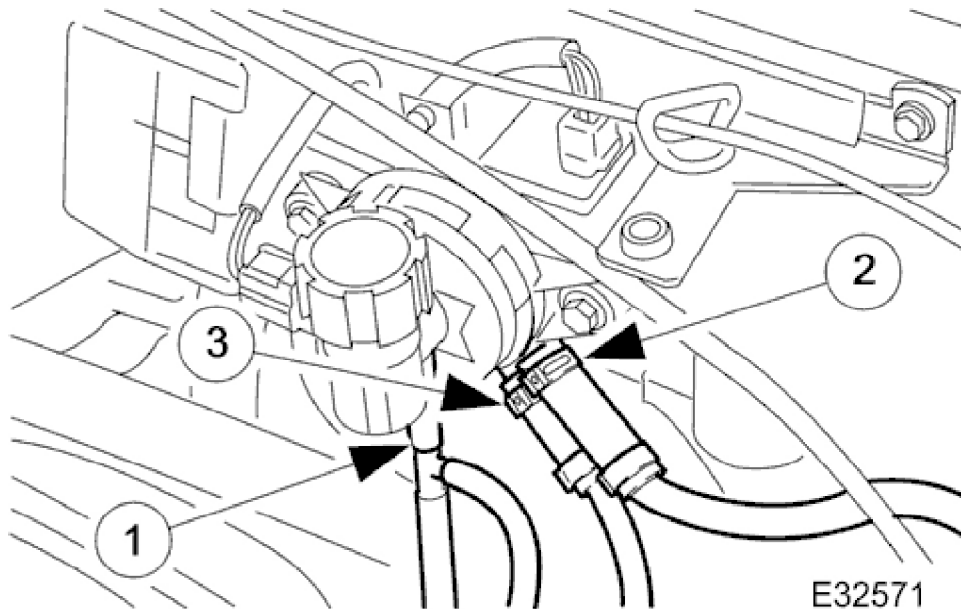


3. Disconnect the purge valve harness connector.



# 1999 XJ RANGE - Evaporative Emissions - 303-13

4. Remove the two securing nuts.



5.  **WARNING:**  
**BEFORE PROCEEDING, IT IS ESSENTIAL THAT THE WARNING NOTES GIVEN IN SECTION <<100-00>> (UNDER THE HEADING 'SAFETY PRECAUTIONS') ARE READ AND UNDERSTOOD.**

Disconnect the three valve hoses.

1. Pull off the vacuum pipe.
2. Release the clip and disconnect the upper vapour hose.
3. Release the clip and disconnect the lower vapour hose. Plug the hose (note the warning above).

## Installation

1. Remove the two mounting rubbers from the old valve and fit to the new valve.
2. Fitting a new purge valve assembly is the reverse of the removal procedure.
3. Connect the battery and fit the battery cover.
  - Refer to the Battery Reconnection Procedure (<<86.15.15>>).
4. Carry out a leak test of the evaporative emissions system.