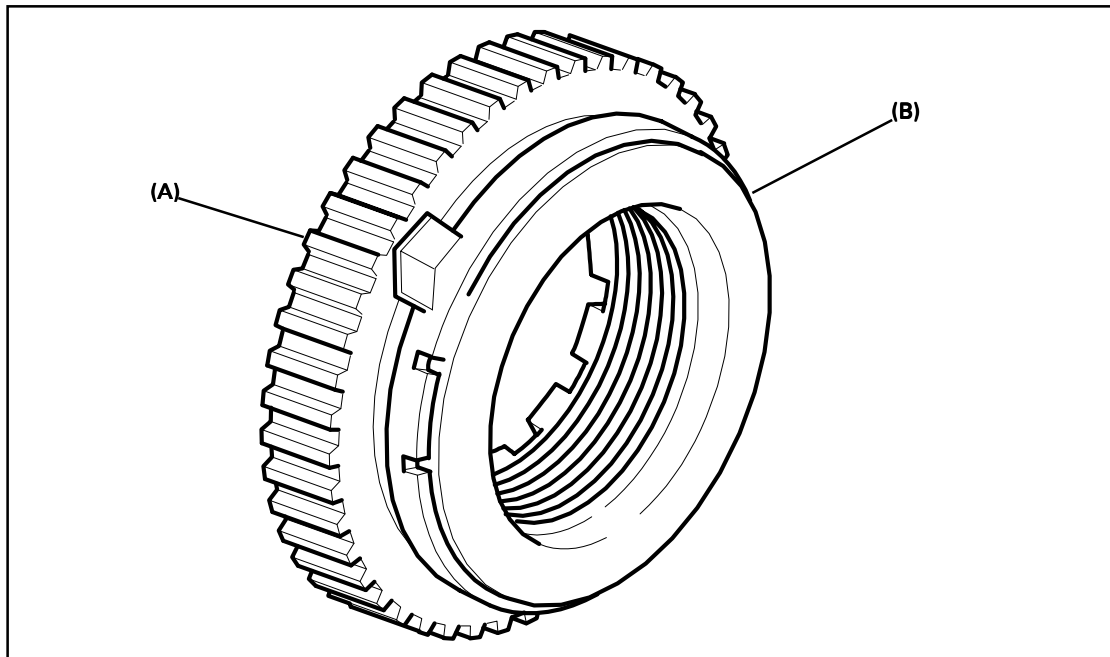


**Grease Deflector Ring – Front Wheel Hub**

MODEL 1997-99 MY  
XK8 Range  
VIN  
001001-042775

**FICHE:** JLM 20301/FJ (RTC9931/FJ)  
**SECTION:** STEERING AND SUSPENSION  
**FRAME:** 1-J13

The part number and illustration for the grease deflector used on the rotor/nut are missing from the above fiche frame. Refer to this bulletin until the fiche text is updated.



ILL #	PART NUMBER	DESCRIPTION
(A)	MJA 1849BE	Front axle rotor/nut
(B)	MJA 1846AA	Grease deflector ring