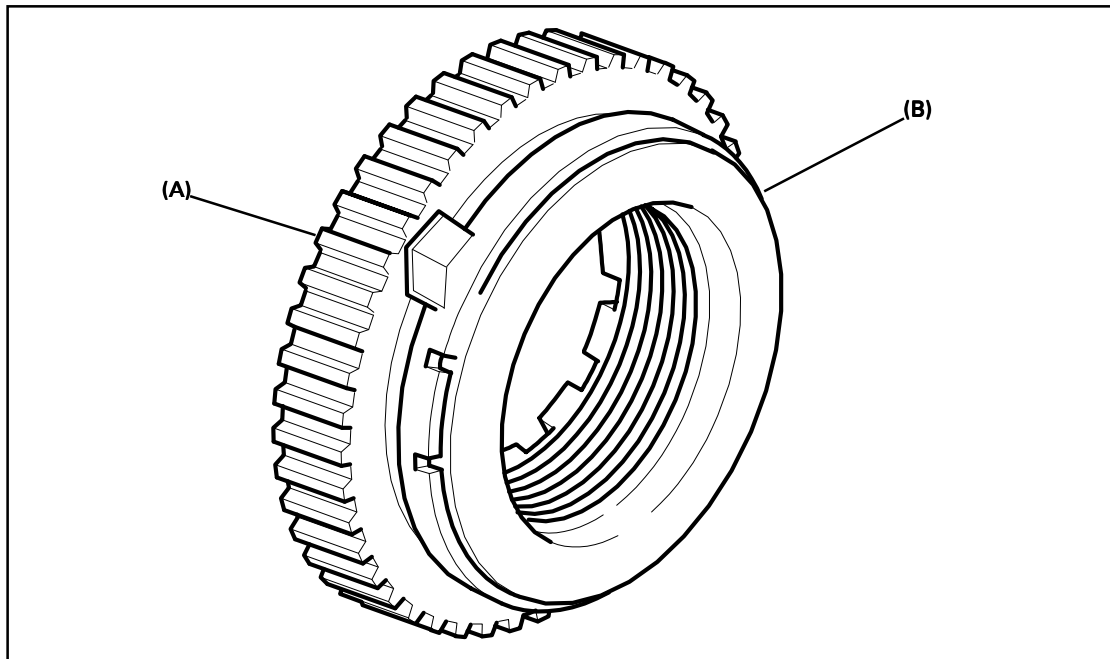


Grease Deflector Ring – Front Wheel Hub

MODEL 2000 MY-ON
XK Range
VIN
A00001-ON

FICHE: JLM 21270/FA (RTC9940/FA)
SECTION: STEERING AND SUSPENSION
FRAME: 1-I13

The part number and illustration for the grease deflector used on the rotor/nut are missing from the above fiche frame. Refer to this bulletin until the fiche text is updated.



ILL #	PART NUMBER	DESCRIPTION
(A)	MJA 1849BE	Front axle rotor/nut
(B)	MJA 1846AA	Grease deflector ring