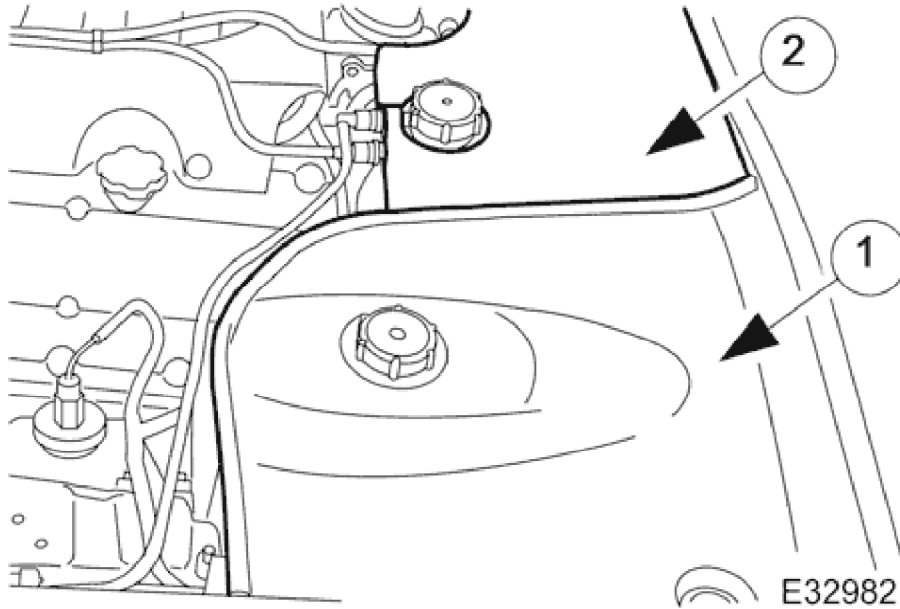


# 1998 XJ RANGE - Engine Cooling - 303-03A

## Coolant Expansion Tank 26.15.01

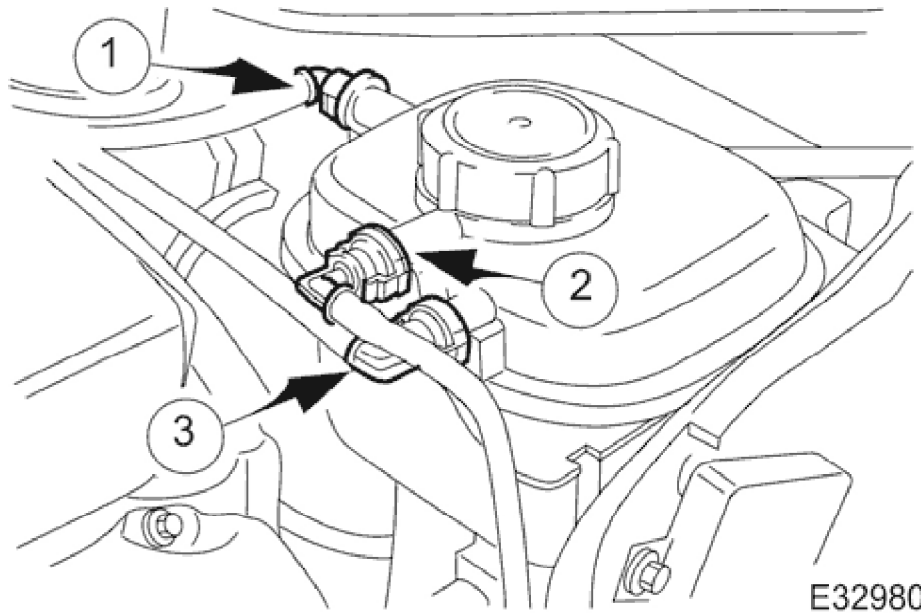
### Removal

1. Open the engine compartment and fit paintwork protection sheets.



2. Remove the centre trim panel from the engine compartment.
  1. Remove the left hand side enclosure panel.
  2. Remove the centre trim panel.
3. Ensure that the cooling system is cool and very carefully, remove the pressure cap.
4. Place a cloth under the expansion tank to absorb any spillage caused by disconnecting the hoses.

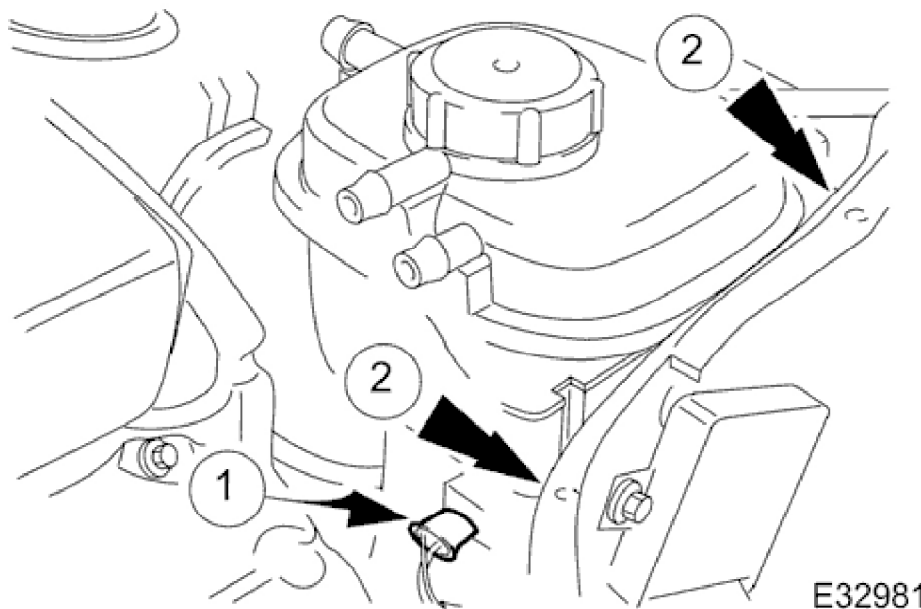
## 1998 XJ RANGE - Engine Cooling - 303-03A



E32980

5. Release the hoses (Quick Fit connections) from the expansion tank.
  1. Release the hose, expansion tank to thermostat housing (coolant outlet pipe on supercharged engines).
  2. Release the hose, expansion tank to recovery tank.
  3. Release the hose, expansion tank to radiator..

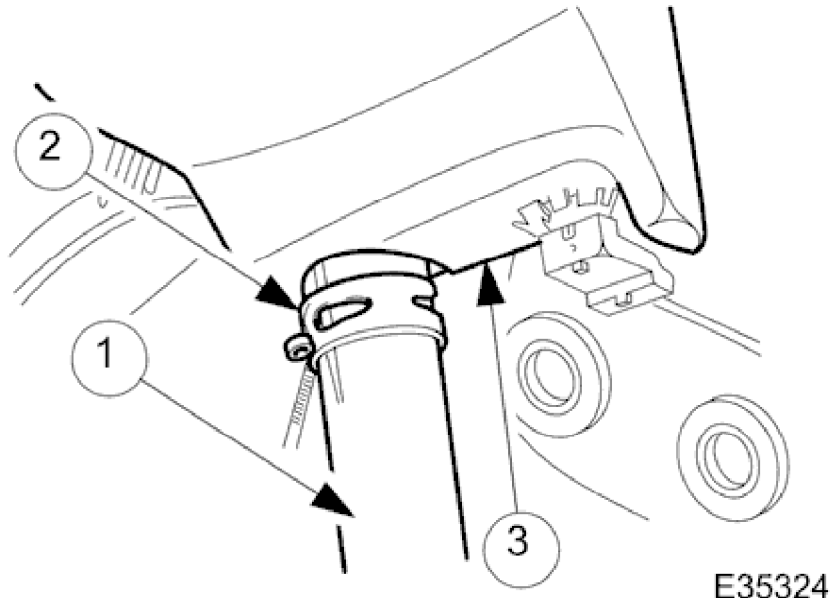
6. Fit blanking plugs to the pipes and the tank.



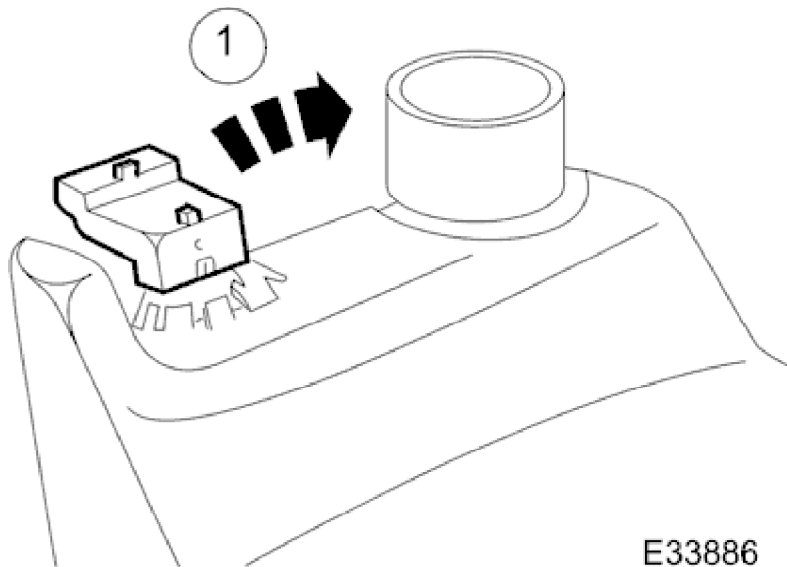
E32981

7. Remove the expansion tank from the mounting.
  1. Disconnect the coolant level sensor connector.
  2. Remove the nuts which secures the tank.

## 1998 XJ RANGE - Engine Cooling - 303-03A



8. Remove the expansion tank from the vehicle.
  1. Use a pipe clamp to clamp the bottom hose branch.
  2. Release the pipe clip and move it along the pipe.
  3. Disconnect the tank from the bottom hose and remove it from the vehicle.
9. Empty any surplus coolant from the expansion tank into a drain tray.
10. Remove the cloth from the engine and clean any spillage from the engine bay.



11. Remove the coolant level sensor by carefully levering it downwards at one side.

### Installation

## 1998 XJ RANGE - Engine Cooling - 303-03A

1. Installation is the reverse of the removal procedure.