

The New Jaguar EPC

Price Admin

0 Item(s)
Subtotal : \$0

Search

Go

or

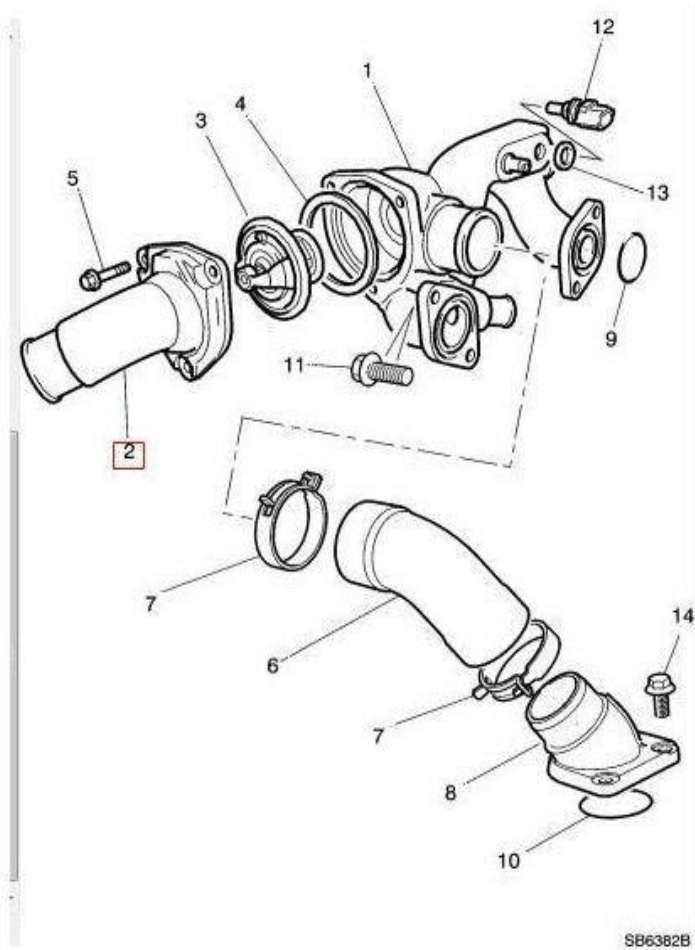
VIN Search

XJ Series (From (V)812317 to (V)F59525)/ENGINE COOLING SYSTEM/WATER RAIL AND THERMOSTAT ▾

THERMOSTAT AND WATER OUTLET-4.0 LITRE-V8 SUPERCHARGED

Product Email or Add Dealer Notes or Add to New Shopping Cart

No	Description	Price \$	Qty
1	Outlet pipe		
	+ thermostat housing		
	+ To VIN (818581)		
	<input type="checkbox"/> NCC2241AD	0.00	NLA
	+ From VIN (818582) To Engine (9810140000)		
	+ 4.0 Litre supercharged		
	<input checked="" type="checkbox"/> NCC2241AE	0.00	NLA
	+ From Engine (0108130000)		
	+ 4.0 Litre supercharged		
	<input type="checkbox"/> AJ83968	0.00	1
	+ From Engine (9810150000) To Engine (0108122359)		
	+ 4.0 Litre supercharged		
	<input type="checkbox"/> AJ81981	1015.10	1
2	Thermostat cover		
	+ water outlet		
	+ To VIN (818581)		
	<input type="checkbox"/> NCC2245BB	0.00	NLA
	+ From VIN (818582)		
	+ 4.0 Litre supercharged		
	<input type="checkbox"/> NCC2245DC	64.81	1
3	Thermostat		
4	Thermostat seal		
5	Bolt		
6	Hose		
7	Hose clamp		
8	Housing		
9	Water outlet seal		
10	Seal		
11	Screw		
12	Temperature sensor		
13	Washer		
14	Pan head torx screw		



SB6382B



THERMOSTAT COVER #NCC2245BC

THERMOSTAT COVER - WATER OUTLET
JAGUAR XJR 4.0 V8 SUPERCHARGED 1997 - 2002
JAGUAR XKR V8 SUPERCHARGED 1996 - 2003

GB £17.35
US \$28.20



Outlet pipe
thermostat housing

AJ81981

Coolant outlet duct (outlet Pipe) also called Water Outlet.

eBay Motors 2001 XJR: